

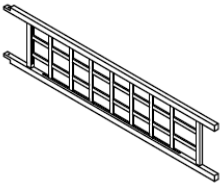
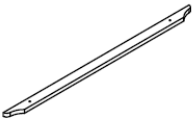






Thank you for choosing Sunnydaze Decor. We stand behind our brand and the quality of the items we sell. Replacement parts or products will be sent at our discretion, within the one-year warranty period. Proof of purchase, with the date of purchase as well as photos of the defective merchandise, must be provided.

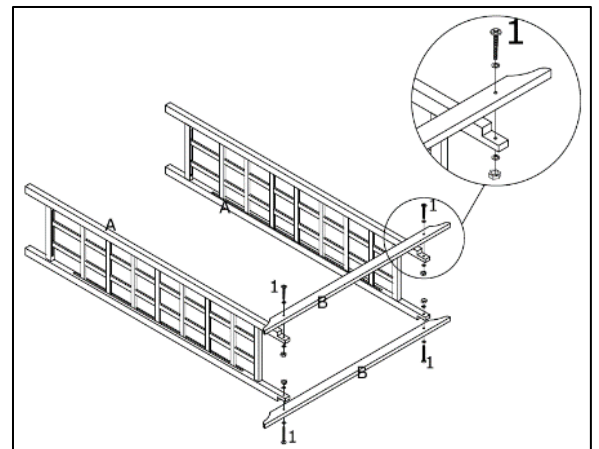
If you have any questions, comments or concerns please feel free to contact us by phone at: **888-881-4668**. You may also contact us by email: [customerservice@serenityhealth.com](mailto:customerservice@serenityhealth.com), or via our webpage at: [www.serenityhealth.com/contact-us/](http://www.serenityhealth.com/contact-us/)

## DSL-698 Instructions

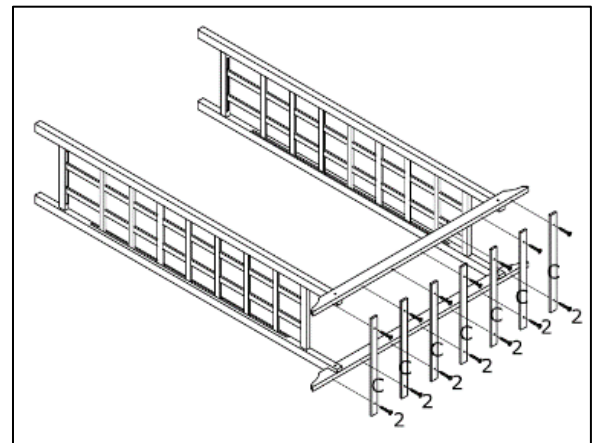
### PARTS:

					
A (2PCS)	B (2PCS)	C (7PCS)	D (4PCS)	Ø 6X45MM 1 (4PCS)	Ø 3.5X35MM 2 (22PCS)

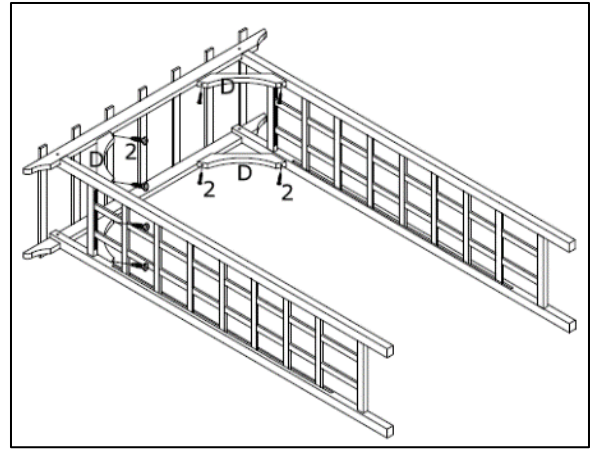
**Step 1:** Attach the two headers (Part B) to the top of the two side lattices (Part A). Use the four included bolt sets (Hardware 1) to attach the two headers to the side lattices as shown in the diagram to the right.



**Step 2:** Attach the seven slats (Part C) to the top of the headers (Part B). Use 14 of the included screws (Hardware 2) to fasten the slats to the top of the headers.



**Step 3:** Attach the four support brackets (Part D) to the headers (Part B) and the side lattices (Part A) as shown. Use the remaining eight screws (Hardware 2) to fasten the support brackets to the headers and side lattices.



**Step 4:** Stand the garden arch up and move it to your preferred location.

