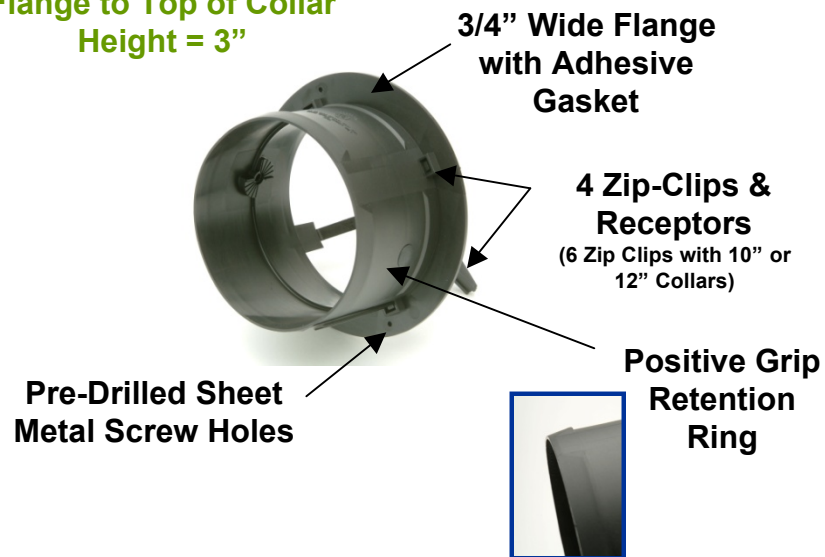


SPEEDI-COLLAR

SPEEDI-COLLAR SPECIFICATIONS:

Total Collar Height = 4"

Flange to Top of Collar
Height = 3"



Damper Model

