

FREEMAN

FREEMAN

MODEL: PFR2190NQ

21° 3-1/2" FULL ROUND HEAD FRAMING NAILER

- [HTTP://WWW.FREEMANTOOLS.COM](http://www.freemantools.com)
- 1-888-669-5672
- PRIME GLOBAL PRODUCTS, INC.



WARNING:

Failure to follow warnings could result in **DEATH OR SERIOUS INJURY.**

SAVE THIS MANUAL FOR FUTURE REFERENCE

- [HTTP://WWW.FREEMANTOOLS.COM](http://www.freemantools.com)
- 1-888-669-5672
- PRIME GLOBAL PRODUCTS, INC.

GENERAL SAFETY RULES	P3
UNPACKING	P6
FEATURES	P6
OPERATION	
ADJUSTING THE EXHAUST	P7
LOADING FASTENERS	P7
UNLOADING FASTENERS	P8
CLEARING JAMS	P8
NON-MARRING PAD	P8
SETTING THE AIR PRESSURE	P8
DEPTH ADJUSTMENT	P9
FIRING THE TOOL	P9
ANTI-DRY-FIRING MECHANISM	P10
MAINTENANCE	P10
RECOMMENDED HOOKUP	P11
TROUBLESHOOTING	P12
WEARABLE PARTS	P12
WARRANTIES	P13

⚠ WARNING:

The warnings and precautions discussed in this manual cannot cover all possible conditions and situations that may occur. Please be aware of the potential hazards, and take all necessary precautions to avoid risk of injuries.

SAVE THIS MANUAL

- Keep this manual for the safety warnings, precautions, operations, inspections and maintenance information. Keep this manual and the receipt in a safe and dry place for future reference.

⚠ WARNING:

To avoid serious personal injury, do not attempt to use this product until you read the manual thoroughly and understand it completely. Save this manual and review frequently for continuing safe operation and instructing others who may use this tool.

SYMBOLS

- The following signal words and meanings are intended to explain the levels of risk associated with this tool, and can be found in the manual, packaging, labeling, and all other information provided with this tool:

SYMBOLS	SIGNAL	MEANING
	WARNING:	Indicates a potentially hazardous situation, which, if not avoided, could result in death or serious injury.
	CAUTION:	Indicates a potentially hazardous situation, which, if not avoided, may result in minor or moderate injury.
	CAUTION:	(Without symbol) Indicates a situation that may result in property damage.

GENERAL SAFETY RULES

INSTRUCTIONS PERTAINING TO A RISK OF FIRE, ELECTRIC SHOCK, OR INJURY TO PERSONS.

⚠ WARNING:

When using tools, basic precautions should always be followed, including the following:

CALIFORNIA PROPOSITION 65

⚠ WARNING:

This product can expose you to chemicals including lead, which is known to the State of California to cause cancer and birth defects or other reproductive harm. For more information, go to www.P65Warnings.ca.gov.

WORK AREA

- Keep the work area clean and well lit. Cluttered benches and dark areas increase the risks of accidents.
- Do not operate the tool in explosive atmospheres, such as in the presence of flammable liquids, gases, or dust. The tool creates a spark which may ignite flammable liquids, gases or dust.
- Keep bystanders, children, and others away while operating the tool. Distractions could result in improper use and cause injury.
- Avoid unintentional misfires. Always use caution to avoid accidentally firing. Do not point at yourself or anyone else regardless if it contains fasteners or not.

PERSONAL SAFETY

- Do not nail on top of another nail. This nail can cause the nail to be deflected and hit someone, or cause the tool to react and result in a risk of injury to persons.
- Remove finger from the trigger when not driving fasteners. Never carry the tool with finger on trigger, the tool is able to fire a fastener.
- Always wear eye protection. Operator and others in the work area should always wear ANSI-approved safety goggles with side shields. Eye protection is used to guard against flying fasteners and debris, which may cause severe eye injury.
- Always wear hearing protection when using the tool. Prolonged exposure to high intensity noise may cause hearing loss.
- Use safety equipment. A dust mask, non-skid safety shoes and a hard hat must be used for the applicable conditions. Wear a full face shield if you are producing metal filings or wood chips.
- Dress properly. Do not wear loose clothing or jewelry. Contain long hair. Keep your long hair, clothing, and gloves away from moving parts. Loose clothes, jewelry, or long hair can be caught in moving parts.
- Stay alert, watch what you are doing and use common sense when operating a power tool. Do not use tool while tired or under the influence of drugs, alcohol, or medication. A moment of inattention while operating the tool may cause serious injury.
- Avoid unintentional firing. Keep fingers away from trigger when not driving fasteners, especially when connecting the tool to the air supply.
- Keep proper footing and balance at all times. Proper footing and balance enables better control of the tool in unexpected situations.

- Do not use on a ladder or unstable supports. Stable footing on a solid surface enables better control of the tool in unexpected situations.
- Make sure the hose is free of obstructions or snags. Entangled or snarled hoses can cause loss of balance or footing and may become damaged, resulting in possible injury.
- Do not overreach. Keep proper footing and balance at all times. Proper footing and balance enables better control of the tool in unexpected situations.
- Do not attach the hose or tool to your body.
- Attach the hose to the structure to reduce the risk of loss of balance if the hose shifts.
- Always assume that the tool contains fasteners. Do not point the tool toward yourself or anyone whether it contains fasteners or not.
- Wash hands after handling. This product or its power cord may contain chemicals known to the State of California to cause cancer and birth defects or other reproductive harm.

TOOL USE AND CARE

- Know this tool. Read manual carefully, learn its applications and limitations, as well as the specific potential hazards related to this tool.
- Only use fasteners that are recommended for your models. Do not use the wrong fasteners or load the fasteners incorrectly.
- Check for misalignment or binding of moving parts, breakage of parts, and any other condition that may affect the tool's operation. If damaged, have the tool serviced before using. Many accidents are caused by poorly maintained tools.
- Maintain tools with care. Keep tool clean. A properly maintained tool reduces the risk of binding and is easier to control.
- Store tools out of the reach of children and other untrained people. Tools are dangerous in the hands of untrained users.
- Check operation of the tool before use. Do not use the tool if the workpiece contact mechanism is not working correctly as accidental driving of a fastener may occur.
- Do not use tool if trigger does not actuate properly. Any tool that cannot be controlled with the trigger is dangerous and must be repaired.

- Do not force tool. Use the correct tool for your application. The correct tool will do the job better and safer at the rate for which it is designed.
- Use clamps or another practical way to secure and support the workpiece to a stable platform. Holding a tool by hand or against the body is unstable and may lead to loss of control.
- Keep the tool and its handle dry, clean and free from oil and grease. Always use a clean cloth when cleaning. Never use brake fluids, gasoline, petroleum-based products, or any strong solvents to clean your tool.
- Do not use the tool as a hammer.
- Never use this tool in a manner that could cause a fastener to be directed toward anything other than the workpiece.
- Never use gasoline or other flammable liquids to clean the tool. Never use the tool in the presence of flammable liquids or gases. Vapors could ignite by a spark and cause an explosion which will result in death or serious personal injury.
- Do not remove, tamper with, or otherwise cause the trigger lock or trigger to become inoperable. Do not operate any tool which has been modified in a like fashion. Death or serious personal injury could result.
- Do not touch the trigger unless driving fasteners. Never attach air line to tool or carry tool while touching the trigger. The tool could eject a fastener which will result in death or serious personal injury. Also actuate the trigger lock to the safe position when not in use.
- Always fit the tool with a fitting or hose coupling on or near the tool in a way that all the remaining compressed air in the tool is discharged at the time the fitting or hose coupling is disconnected. Do not use a check valve or any other fitting which allows air to remain in the tool. Death or serious personal injury could occur.
- Never place hands or any other body parts in the fastener discharge area of the tool. The tool might eject a fastener and could result in death or serious personal injury.
- Never carry the tool by the air hose or pull the hose to move the tool or a compressor. Keep hoses away from heat, oil and sharp edges. Replace any hose that is weak, worn, or otherwise damaged. Personal injury or tool damage could occur.
- Always assume the tool contains fasteners. Respect the tool as a working

implement; no horseplay.

- Always keep others at a safe distance from the work area in case of accidental discharge of fasteners. Do not point the tool toward yourself or anyone whether it contains fasteners or not. Accidental triggering of the tool could result in death or serious personal injury.
- Do not drop or throw the tool. Dropping or throwing the tool can result in damage that will make the tool unusable or unsafe. If the tool has been dropped or thrown, examine the tool closely for an air leak or bent, cracked or broken parts. STOP and repair before using, or serious injury could occur.
- Avoid using the tool when the magazine is empty. Accelerated wear on the tool may occur.
- Clean and check all air supply hoses and fittings before connecting the tool to an air supply. Replace any damaged or worn hoses or fittings. Tool performance or durability may be reduced.
- Do not use the tool if it leaks air or does not function properly.
- Do not operate the tool if it does not contain a legible warning label.
- Always carry the tool by the handle. Never carry the tool by the air hose.

TOOL SERVICE

- Only use accessories that are identified by the manufacturer for the specific tool model.
- Use of unauthorized parts or failure to follow maintenance instructions may create a risk of injury.
- Only use the lubricants supplied with the tool or specified by the manufacturer.
- Tool service must be performed only by qualified repair personnel.

OPERATION

- Do not drive fasteners near the edge of workpiece. The workpiece may split causing the fastener or ricochet, potentially injuring you or people around.
- Do not carry the tool from place to place holding the trigger. Accidental discharge could result. Choice of triggering method is important. Check manual for triggering options.
- During normal use the tool will recoil immediately after driving a fastener. This

is a normal function of the tool. Do not attempt to prevent the recoil by holding the tool against the workpiece. Restriction to the recoil can result in a second fastener being driven from the tool. Grip the handle firmly and let the tool do the work. Failure to heed this warning can result in serious personal injury.

- Do not drive fasteners on top of other fasteners or with the tool at an overly steep angle. This may cause deflection of fasteners which could cause injury.
- Do not actuate the tool unless you intend to drive a fastener into the workpiece.
- Always handle the tool with care:
 - ◆ Respect the tool as a working implement.
 - ◆ Never engage in horseplay.
 - ◆ Never pull the trigger unless nose is directed toward the workpiece.
 - ◆ Keep others a safe distance from the tool while tool is in operation as accidental actuation may occur, possibly causing injury.

AIR SUPPLY AND CONNECTIONS

- The connector on the tool must not hold pressure when air supply is disconnected. If an incorrect fitting is used, the tool can remain charged with air after disconnecting and thus will be able to drive a fastener even after the air line is disconnected, possibly causing injury.
- Do not use any type of reactive gases, including, but not limited to, oxygen and combustible gases, as a power source. Use filtered, lubricated, and regulated compressed air only. Use of a reactive gas instead of compressed air may cause the tool to explode which will cause death or serious personal injury.
- Only use a pressure-regulated compressed air source to limit the air pressure supplied to the tool. The regulated pressure must not exceed 115 psi. If the regulator fails, the pressure delivered to the tool must not exceed 200 psi. The tool could explode which will cause death or serious personal injury.
- Always disconnect the air source:
 - ◆ Before unloading or making adjustments.
 - ◆ When maintaining the tool.
 - ◆ When clearing a jam.
 - ◆ When touching the safety yoke.
 - ◆ When tool is not in use.
 - ◆ When moving to a different work area.

Such precautionary measures reduce the risk of injury to persons.

LOADING TOOL

- Do not load the tool with fasteners when any one of the operating controls is activated.
- Never place a hand or any part of body in fastener discharge area of tool.
- Never point the tool at anyone.
- Do not pull the trigger or depress the workpiece contact as accidental actuation may occur, possibly causing injury.

▲ WARNING:

The warnings and precautions discussed above cannot cover all possible conditions and situations that may occur. It must be understood by the user that common sense and caution are factors which cannot be built into this product, but must be supplied by the user.

UNPACKING

- This tool has been shipped completely assembled.
- Carefully remove the tool and any accessories from the box.
- Inspect the tool carefully to make sure no breakage or damage occurred during shipping.
- Do not discard the packing material until you have carefully inspected and satisfactorily operated the tool.
- If any parts are damaged or missing, please call 1-888-669-5672.

▲ WARNING:

If any parts are missing do not operate this tool until the missing parts are replaced. Failure to do so could result in possible serious personal injury.

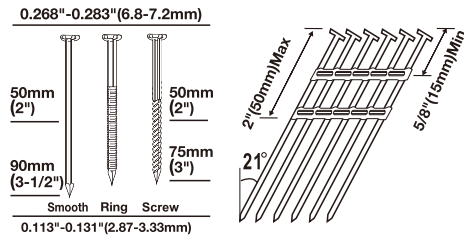
▲ WARNING:

Do not attempt to modify this tool or create accessories not recommended for use with this tool. Any such alteration or modification is misuse and could result in hazardous condition leading to possible serious personal injury.

FEATURES

SPECIFICATIONS

- AIR CONSUMPTION:** 12.85 SCFM with 100 fasteners per minute @ 90 psi
- AIR INLET:** 1/4 inch NPT
- MAGAZINE CAPACITY:** 55 pcs, 10-12 gauge
- WEIGHT:** 8.6 lbs
- MAXIMUM PRESSURE:** 115 psi
- PRESSURE RANGE:** 70 psi – 115 psi
- FASTENER LENGTH RANGE:** 2 inch to 3-1/2 inch



Compatible with generic plastic collated 21° full round head framing nails.

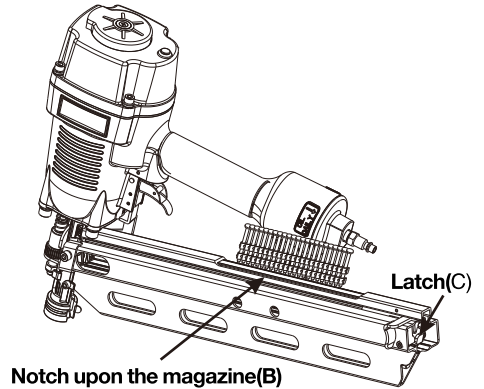
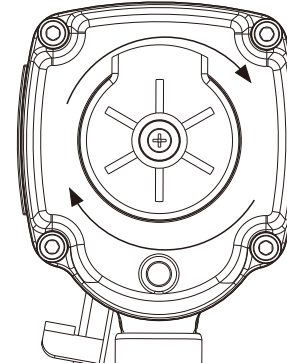
FEATURES

- **360° ADJUSTABLE EXHAUST**
Allows user to direct air away from face.
- **ONE PIECE DRIVE BLADE**
For increased durability.
- **COMFORT-GRIP HANDLE**
For increased comfort and control.
- **MAGNESIUM BODY**
Light-weight tool great for extended use.
- **DUAL-MODE TRIGGER**
Easily allows for single sequential or bump firing.
- **ADJUSTABLE DEPTH**
Depth is easily adjustable for various applications.
- **ANTI-DRY-FIRING DESIGN**
Reduces damage on internal components.
- **NON-MARRING SAFETY CONTACT**
Eliminates damage to working surface.

OPERATION

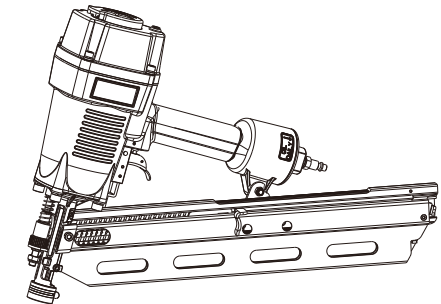
ADJUSTING THE EXHAUST

The adjustable exhaust on the cap of the tool allows users to direct the exhaust according to operator preference. To adjust the direction, turn the exhaust cap in the desired direction.



LOADING FASTENERS

1. Connect the tool to the air source.
2. Pull the pusher (A) back to the rear of magazine. Insert strip of fasteners into the notch upon the magazine(B). Be sure the fasteners are pointed downward.
3. Press the latch(C) to release the pusher to let it go back to move the fasteners up to the driving mechanism. The pusher will stop when it rests against the end of the fastener.



▲ WARNING:

The tool may fire when it is first connected to the air source. Always connect the tool to the air source before loading fasteners to prevent injury from unintended cycling. Always make sure the tool's magazine is empty at the beginning of each work session, before connecting to an air source.

▲ WARNING:

Only use fasteners recommended by the manufacturer for this tool. Use of fasteners not recommended by the manufacturer could lead to injury to persons in the work area, or damage to the tool.

⚠ WARNING:

Keep the tool pointed away from yourself and others when loading fasteners. Failure to do so could result in serious personal injury.

⚠ WARNING:

Never load fasteners with the workpiece contact or trigger activated. Doing so could result in serious personal injury.

UNLOADING FASTENERS

Unloading is the reverse of loading, except always disconnect the tool from the air source before unloading.

⚠ WARNING:

Always unload all fasteners before removing the tool from service.

⚠ WARNING:

Always disconnect the air source before unloading.

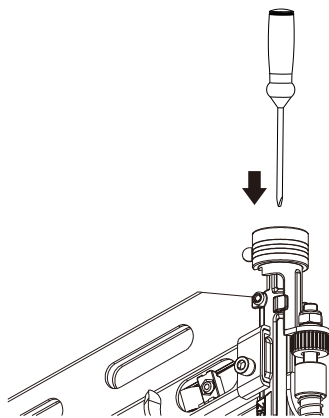
CLEARING JAMS

Occasionally, a fastener may become jammed in the firing mechanism of the tool, making the tool inoperable. To remove a jammed fastener, follow these steps below:

1. Disconnect the tool from the air source.
2. Remove fasteners from the tool. Failure to do so will cause the fasteners to eject from the front of the tool.
3. Pull the jammed fastener out from the nose, use pliers or a screwdriver if required to clear the jammed fastener. Using caution not to bend or damage the drive blade.
4. Reconnect the tool to the air source.
5. Reload the tool with fasteners.

⚠ WARNING:

Make sure there are no fasteners in the magazine before clearing a jam.



⚠ WARNING:

Disconnect the tool from the air source whenever clearing a jam. After disconnecting the tool from the air compressor, there should still be enough air pressure to fire the tool. After the air hose is disconnected, always fire the tool into scrap wood repeatedly to make sure all of the compressed air is expended.

NON-MARRING PAD

The non-marring pad attached the nose of the tool helps prevent marring and denting when working with softer woods.

⚠ WARNING:

Disconnect the tool from the air source before removing or replacing the non-marring pad or replacing the non-marring pad. Failure to do so could result in serious personal injury.

SETTING THE AIR PRESSURE

The amount of air pressure required depends on the size of the fasteners and the workpiece material.

Begin testing the depth of drive by driving a test nail into the same type of workpiece material used for the actual job.

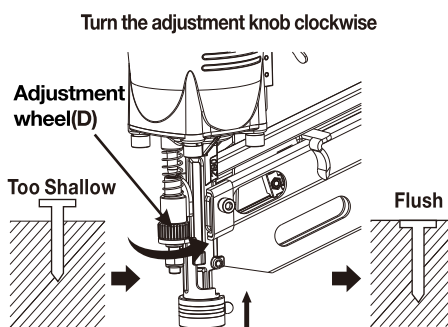
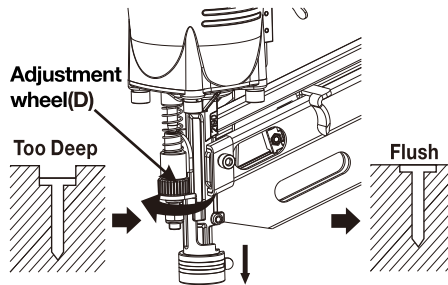
Drive a test fastener with the air pressure set at 90-95 psi. Raise or lower the air pressure to find the lowest setting that will perform the job with consistent results.

It may be possible to achieve the desired depth with air pressure adjustments alone.

DEPTH ADJUSTMENT

The driving depth of the fasteners are adjustable. To adjust the depth, use the drive depth adjustment wheel(D) on the tool.

1. Disconnect the tool from the air source.
2. Turn the depth wheel left or right to change the driving depth.
3. Reconnect the tool to the air source.
4. Drive a test nail after each adjustment until the desired depth is set.



CAUTION:

It is advisable to test the depth on a scrap workpiece to determine the required depth for the application. To determine depth of drive, first adjust the air pressure and drive a test fastener. Never exceed 115 psi.

FIRING THE TOOL (USING THE SELECTABLE TRIGGER)

The tool is equipped with a selectable trigger set in the single sequential actuation mode(black trigger). The selectable trigger(orange trigger) can also be set for contact actuation mode.

SINGLE SEQUENTIAL ACTUATION MODE (This firing mode is Pre-setted by factory)

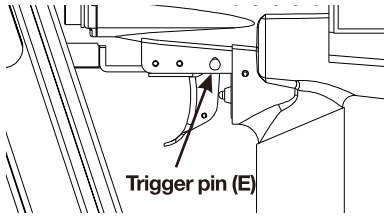
Single sequential actuation provides the most accurate fastener placement. This is considered to be more restrictive mode of operation, suitable for less experienced users. To use the tool to drive nails in this actuation mode, Work contact element and trigger must be used in a specific order.

1. This action mode is factory pre-set.
2. Connect the tool to the air source.
3. Grip the tool firmly to maintain control. Position the nose of the tool onto the work surface.
4. Squeeze the trigger to drive a fastener.
5. The work contact element must be completely depressed by placing the nose of the tool against the work piece.
6. The trigger must be pulled firmly and then released.
7. The tool must be allowed to recoil away from the work piece.
8. If the trigger is pulled before the work contact element is depressed, the tool will not operate.

CONTACT ACTUATION MODE

Contact actuation allows very fast repetitive fastener placement. To use the tool to drive nails in this actuation mode the work contact element and trigger can be actuated in any order.

1. Disconnect the tool from the air source.
2. Remove the o-ring from the trigger pin (E).
3. Pull the trigger pin (E) out.
4. Put the ORANGE trigger on.
5. Push the trigger pin (E) back, using a small hammer if necessary.
6. Put the o-ring back to fasten the trigger pin (E).
7. Connect tools to the air source.
8. Pull and hold the trigger with the tool off the work piece.
9. Press the work contact element against the work piece. A nail will be driven.
10. The tool must be allowed to recoil away from the work piece.
11. Move the tool along the work piece with a bouncing motion. Each time the work contact element is depressed a nail will be driven.
12. As soon as the desired number of nails has been driven, remove the finger from trigger.



Note:
This actuation mode is recommended when less precise nail placement is required. Extreme care should be taken because a nail will be driven when the work contact element is pressed against any surface. Since the tool can be actuated without removing the finger from the trigger, this is considered to be a less restrictive mode, suitable for more experienced users.

⚠ WARNING:

During normal use the tool will recoil immediately after driving a fastener. This is a normal function of the tool. Do not attempt to prevent the recoil by holding the tool against the work. Restriction to the recoil can result in a second fastener being driven from the tool. Grip the handle firmly and let the tool do the work. Failure to heed this warning can result in serious personal injury.

ANTI-DRY-FIRING MECHANISM

The tool will stop firing after 7 nails or less are left in the magazine. Insert another strip of nails behind the remaining nails to resume fire. This helps to prevent wear and extends the tool life.

MAINTENANCE

⚠ WARNING:

Any time inspection, maintenance, and cleaning are done:
◆ Disconnect the tool from the air source.
◆ Empty the magazine completely.

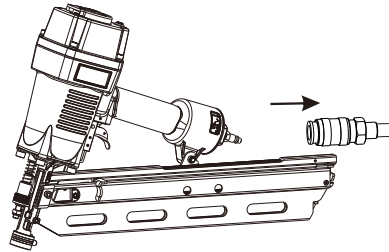
ANTI-DUST CAP

Each tool is packed with an anti-dust cap on the air connector. Keep the air connector covered with the anti-dust cap when the tool is not in use.

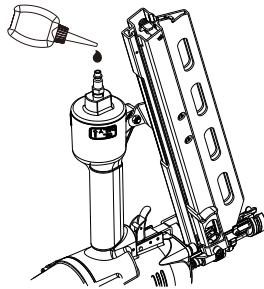
LUBRICATION

Frequent, but not excessive, lubrication is required for best performance. The oil added through the air line helps to prevent rust and lubricate the internal parts of the nailer.

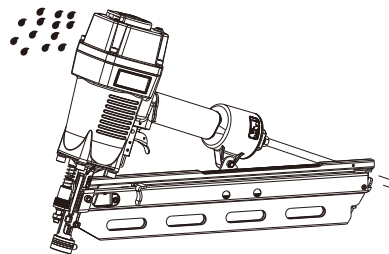
1. Disconnect the tool from the air source to add the lubricant.



2. Turn the tool so the air inlet is facing up. Place 2 - 3 drops of pneumatic fastening tool oil into air inlet. Do not use detergent oils, oil additives, or air-tool oils as these lubricants will cause accelerated wear to the seals and bumpers in the tool, resulting in poor tool performance and frequent tool maintenance.



3. After adding oil, connect the tool to the air source, run tool briefly. Wipe off any excess oil from the cap exhaust.



CAUTION:

Lubricate the tool only with specified lubricants.

CLEANING

Avoid using solvents when cleaning plastic parts. Most plastics are susceptible to damage from various types of commercial solvents and may be damaged by their use. Use clean cloths to remove dirt, dust, oil, grease, etc.

⚠ WARNING:

Do not at any time let brake fluids, gasoline, petroleum-based products, penetration oils, ect., come in contact with plastic parts. Chemicals can damage, weaken or destroy plastic which may result in serious personal injury.

COLD WEATHER OPERATION

For cold weather operation, near and below freezing, the moisture in the air line may freeze and prevent tool operation. We recommend the use of air tool lubricant or permanent antifreeze (ethylene glycol) as a cold weather lubricant.

CAUTION:

Do not store tools in a cold weather environment to prevent frost or ice formation on the tool's operating valves and mechanisms that could cause tool failure.

RECOMMENDED HOOKUP

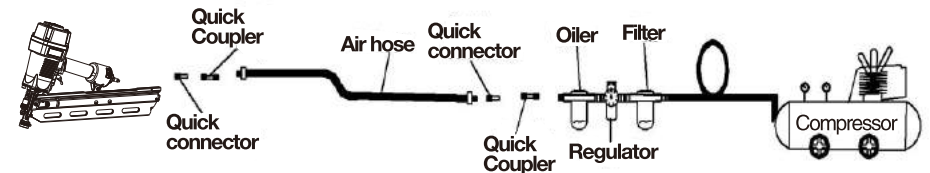
1. The air compressor must be able to maintain a minimum of 70 psi when the tool is being used. An inadequate air supply can cause a loss of power and inconsistent driving.
2. An oiler can be used to provide oil circulation through the tool. A filter can be used to remove liquid and solid impurities which can rust or gum up internal parts of the tool.
3. Always use air supply hoses with a minimum working pressure rating equal to or greater than the pressure from the power source if a regulator fails, or 150 psi, whichever is greater. Use 3/8 in. air hose for runs up to 50 ft. and use a 3/8 in. quick coupler on the air hose.
4. Use a pressure regulator on the compressor, with an operating pressure of 0-125 psi. A pressure regulator is required to control the operating pressure of the tool between 70 and 115 psi.

CAUTION:

The air compressor must be able to maintain a minimum of 70 psi when the tool is being used. An inadequate air supply can cause a loss of power and inconsistent driving.

⚠ WARNING:

Do not connect with an air compressor which can potentially exceed 200 psi. As tool may burst, possibly causing injury.



TROUBLESHOOTING

⚠ WARNING:

Stop using tool immediately if any of the following problems occur. Serious personal injury could result. Any repairs or replacements must be done by a qualified service person or an authorized service center.

PROBLEMS	POSSIBLE CAUSE(S)	CORRECTIVE ACTION
Air leaking at the trigger valve area.	O-rings in trigger valve housing are damaged.	Replace o-rings on trigger valve. Check operation of Work Contact Element (WCE).
Air leaking between the housing and nose.	1.Loose screws in housing. 2.Damaged O-rings. 3.Damaged to bumper.	1.Tighten screws. 2.Replace O-rings. 3.Replace bumper.
Air leaking between the housing and cap.	1.Loose screws. 2.Damaged gasket.	1.Tighten screws. 2.Replace gasket.
Tool cannot work.	1.Nail jammed in the nose. 2.Low nails triggering anti-dry-fire mechanism. 3.Dirt in nose piece. 4.Damaged or jammed magazine prevents feeding nails. 5.Inadequate air flow. 6.Worn O-ring on piston or lack of lubrication. 7.Damaged O-ring on trigger valve.	1.Clear the jammed nail. 2.Load more nails. 3.Clear drive channel. 4.Replace or clean magazine. 5.Verify adequate air supply. 6.Replace and lubricate o-rings. 7.Replace trigger valve kit.
The tool has a loss of power or can not drive the nail enough.	1.Inadequate lubrication. 2.Insufficient air supply. 3.Tool is not set up correctly.	1.Lubricate the tool. 2.Verify adequate air supply. 3.Adjust the DEPTH ADJUSTMENT wheel, or remove NON-MARRING pad.
Fasteners are jammed in the tool.	1.Incorrect fasteners. 2.Damaged fasteners. 3.Magazine or nose screws are loose. 4. Drive balde is damaged.	1.Verify that fasteners are the correct size. 2.Clean and replace fasteners. 3.Tighten screws. 4.Replace drive blade .

⚠ WARNING:

Only use Freeman authorized repair parts. For questions please call 1-888-669-5672 or visit our website at <http://www.freemantools.com>

WEARABLE PARTS

Repair parts can be ordered from our website: <http://www.freemantools.com>

PGP INC. PRODUCT WARRANTIES

FREEMAN Pneumatic Nail Guns Warranties

2 Year Professional Tool Warranty

The Freeman Tool limited warranty extends exclusively to the original purchaser of the Freeman Product, begins on the date of purchase and excludes wearable parts. During the warranty period Prime Global Products, Inc. (PGP) expressly warrants that the Freeman Product is free from defect in materials and workmanship subject to the exceptions and limitations contained herein. PGP shall at its option, repair, replace, or offer a full refund for a Freeman Product that has a defect in materials or workmanship.

90 Day Wearable Parts Warranty

The Freeman wearable parts limited warranty extends exclusively to the original purchaser of the Freeman Product and begins on the date of purchase, and includes driver blades, bumpers, O-rings, pistons, piston rings, and gaskets. During the warranty period PGP expressly warrants that the Freeman Product is free from defect in materials and workmanship subject to the exceptions and limitations contained herein. PGP shall at its option, repair, replace, or offer a full refund for a Freeman Product that has a defect in materials or workmanship.

A DATED SALES RECEIPT OR PROOF OF PURCHASE FROM THE ORIGINAL RETAIL PURCHASER IS REQUIRED TO MAKE A WARRANTY CLAIM. Warranty registration is also required and can be accomplished through On-Line Product Registration at www.freemantools.com, select SUPPORT, select PRODUCT REGISTRATION. To make a warranty claim, the original purchaser must return the Freeman Nail Gun, postage prepaid and insured, with proof of purchase to PGP or any of its authorized service centers. For questions please call 1-888-669-5672. Other than the postage and insurance requirement, no charge will be made for repairs covered by this warranty.

Warranty Exclusions

These Warranties do not apply where:

- Repairs or alterations have been made, or attempted, by others, and/or the unauthorized use of non-conforming parts or accessories.
- Repairs are required due to normal wear and tear.
- The Nail Gun has been abused, misused, improperly maintained or operated, including: the failure to use clean, dry, regulated compressed air at the recommended pressure; accidents caused by use of the Freeman Product after partial failure.
- The Freeman Product is used commercially in assembly lines or production lines. The Freeman Product is intended for use by individuals and these warranties do not extend to such commercial uses.

NO WARRANTY, ORAL OR WRITTEN, EXPRESSED OR IMPLIED, OTHER THAN THE ABOVE WARRANTIES IS MADE WITH REGARD TO THIS FREEMAN PRODUCT. ANY IMPLIED WARRANTIES WILL BE LIMITED IN DURATION TO THE APPLICABLE WARRANTY PERIOD SPECIFIED ABOVE. SOME STATES DO NOT ALLOW LIMITATIONS ON HOW LONG AN IMPLIED WARRANTY LASTS, SO THE ABOVE MAY NOT APPLY TO YOU. YOUR REMEDIES ARE SOLELY AND EXCLUSIVELY AS STATED ABOVE. PGP SHALL IN NO EVENT BE LIABLE FOR INCIDENTAL, CONSEQUENTIAL, INDIRECT, OR SPECIAL DAMAGES. SOME STATES DO NOT ALLOW THE EXCLUSION OR LIMITATION OF INCIDENTAL OR CONSEQUENTIAL DAMAGES, SO THE ABOVE LIMITATION OR EXCLUSION MAY NOT APPLY TO YOU. IN NO EVENT, WHETHER AS A RESULT OF A BREACH OF CONTRACT, WARRANTY, TORT (INCLUDING NEGLIGENCE) OR OTHERWISE, SHALL PGP'S LIABILITY EXCEED THE PRICE OF THE PRODUCT WHICH HAS GIVEN RISE TO THE CLAIM OR LIABILITY. ANY LIABILITY CONNECTED WITH THE USE OF THIS PRODUCT SHALL TERMINATE UPON THE EXPIRATION OF THE WARRANTY PERIOD SPECIFIED ABOVE. NO EMPLOYEE OR REPRESENTATION OF PGP, OR ANY DISTRIBUTOR OR DEALER IS AUTHORIZED TO MAKE ANY CHANGE OR MODIFICATION OF THIS WARRANTY.

These warranties give you specific legal rights. you may also have other rights which vary from state to state.

THESE WARRANTIES ARE SUBJECT TO CHANGE WITHOUT NOTICE.

FREEMAN

MODELO: PFR2190NQ

**CLAVADORA DE ARMAZÓN
DE CABEZA REDONDA
COMPLETA 21° DE 90MM
[3-1/2"]**

- [HTTP://WWW.FREEMANTOOLS.COM](http://www.freemantools.com)
- 1-888-669-5672
- PRIME GLOBAL PRODUCTS, INC.



ADVERTENCIA:

No seguir las advertencias correctamente puede causar **LA MUERTE O LESIONES GRAVES.**

GUARDA ESTE MANUAL PARA CONSULTARLO EN EL FUTURO.

MODELO: PFR2190NQ

FREEMAN

NORMAS GENERALES DE SEGURIDAD	P16
DESEMPACAR	P20
CARACTERÍSTICAS	P20
OPERACIÓN	
CÓMO AJUSTAR EL ESCAPE	P21
CÓMO CARGAR LOS SUJETADORES	P21
CÓMO DESCARGAR LOS SUJETADORES	P22
CÓMO RETIRAR SUJETADORES ATASCADOS	P22
ALMOHADILLA QUE NO RAYA	P22
CÓMO CONFIGURAR LA PRESIÓN DE AIRE	P23
AJUSTE DE PROFUNDIDAD	P23
CÓMO ACTIVAR LA HERRAMIENTA	P23
MÉCANISME DE SÛRETÉ DE DÉCLENCHEMENT À VIDE	P24
MANTENIMIENTO	P25
CONEXIÓN RECOMENDADA	P26
SOLUCIÓN DE PROBLEMAS	P27
PIEZAS DESGASTADAS	P28
GARANTIAS	P28



ADVERTENCIA:

Las advertencias y precauciones mencionadas en este manual no abarcan todas las condiciones y situaciones posibles. Es perfectamente comprensible que no podemos fabricar el sentido común y la precaución como partes de ningún producto, el usuario es el responsable de obrar en consecuencia.

GUARDAR ESTE MANUAL

- Guarda este manual para tener a mano las advertencias de seguridad, precauciones, operaciones, inspecciones y mantenimiento. Guarda este manual y el recibo en un lugar seguro y seco para consultarlo en el futuro.





ADVERTENCIA:

Para evitar lesiones personales graves, no intentes usar este producto hasta haber leído y comprendido el manual por completo. Guarda este manual y consúltalo con frecuencia para un funcionamiento seguro y para instruir a otros usuarios de esta herramienta.

SÍMBOLOS

- Símbolos en este manual, las etiquetas, envases y en toda la información provista con esta herramienta. Las siguientes palabras de aviso y significados tienen el objetivo de explicar los niveles de riesgo asociados con esta herramienta.

SÍMBOLOS	AVISO	SIGNIFICADO
	ADVERTENCIA:	Indica una situación potencialmente peligrosa que, de no evitarse, podría causar la muerte o lesiones graves.
	PRECAUCIÓN:	Indica una situación potencialmente peligrosa que, de no evitarse, podría causar la muerte o lesiones graves.
	PRECAUCIÓN:	(Sin símbolo) Indica una situación que puede resultar en daños a la propiedad.

NORMAS GENERALES DE SEGURIDAD

INSTRUCCIONES EN REFERENCIA AL PELIGRO DE INCENDIOS, CHOQUE ELECTRICO O LESIONES PERSONALES.

ADVERTENCIA:

Cuando se usen herramientas, siempre se deberán seguir precauciones básicas, incluyendo las siguientes:

PROPOSICIÓN 65 DE CALIFORNIA

ADVERTENCIA:

Este producto puede exponerlos a productos químicos incluyendo plomo, que es conocido por el Estado de California para causar cáncer y defectos de nacimiento u otros daños reproductivos. Para obtener más información, visite www.P65Warnings.ca.gov.

ÁREA DE TRABAJO

- Mantenga el área de trabajo limpia y bien iluminada. Los bancos de trabajo desordenados y las áreas oscuras aumentan el riesgo de accidentes.
- No utilice la herramienta en atmósferas en las que exista riesgo de explosión, como por ejemplo en presencia de líquidos inflamables, gases o polvo. La herramienta produce una chispa que podría encender líquidos inflamables, gases o polvo.
- Mantenga a los transeúntes, niños y a otras personas alejadas cuando esté utilizando la herramienta. Las distracciones podrían resultar en el uso inapropiado y causar lesiones.
- Evite los disparos accidentales. Siempre tenga precaución para evitar disparos

accidentales. No apunte la herramienta hacia usted u otra persona, aun cuando no contenga sujetadores.

SEGURIDAD PERSONAL

- No clave sobre otro clavo. Esto puede causar que el clavo se desvíe y alcance a alguien, o que la herramienta reaccione de alguna manera y lesione a alguien.
- Retire el dedo del gatillo cuando no coloca sujetadores. Nunca transporte la herramienta con el dedo en el gatillo, ya que la herramienta puede disparar un sujetador.
- Usa siempre protección para los ojos. El operador y las otras personas en el área de trabajo deben usar siempre gafas de seguridad con protectores laterales, aprobadas por ANSI. La protección de los ojos se utiliza para resguardarlos de los fijadores y residuos que puedan saltar, los cuales pueden causar lesiones graves en los ojos.
- Usa siempre protección auditiva cuando utilices la herramienta. La exposición prolongada a ruidos de alta intensidad puede causar la pérdida de la audición.
- Usa un equipo de seguridad. Se deben usar una máscara antipolvo, calzado de seguridad antideslizante y un casco rígido en condiciones donde sean necesarios. Usa una máscara protectora completa si estás trabajando con virutas de madera o limaduras de metales
- Usa la vestimenta adecuada. No utilices ropa o joyas sueltas. Recoge el cabello largo. Mantén el cabello, la ropa y los guantes alejados de las partes móviles. La ropa y las joyas sueltas o el cabello largo pueden quedar atrapados en las partes móviles.

- Cuando utilices una herramienta de motor mantente alerta, observa lo que estás haciendo y utiliza el sentido común. No utilices la herramienta si estás cansado o bajo el efecto de drogas, alcohol o medicamentos. Un momento de distracción durante la operación de la herramienta puede causar lesiones graves.
- Para evitar disparos accidentales mantenga los dedos alejados del gatillo cuando no accione los sujetadores, especialmente cuando conecte la herramienta al suministro de aire.
- Mantén siempre una posición firme y el equilibrio adecuado. Una posición firme y el equilibrio adecuado permiten controlar mejor la herramienta en situaciones inesperadas.
- No la utilices sobre una escalera de tijera o soportes inestables. Una posición estable sobre una superficie sólida permite un mejor control de la herramienta en situaciones imprevistas.
- Asegúrate de que la manguera esté libre de obstrucciones o trabas. Las mangueras atascadas o enredadas pueden causar la pérdida del equilibrio o la estabilidad y pueden dañarse y causar lesiones.
- No se extienda demasiado. Mantenga un apoyo de pies y un equilibrio adecuados en todo momento. Un apoyo de pies y equilibrio adecuados permiten un mejor control de la herramienta en situaciones inesperadas.
- No fije la manguera o herramienta a su cuerpo.
- Fije la manguera a la estructura para reducir el riesgo de pérdida de equilibrio en caso que la manguera se mueva.
- Siempre dé por sentado que la herramienta contiene sujetadores. No apunte la herramienta hacia usted u otra persona, aun cuando no contenga sujetadores.
- Lávese las manos después de manipularlo. Este producto o su cable eléctrico pueden contener sustancias químicas reconocidas por el estado de California como causantes de cáncer, defectos congénitos y otros daños en el aparato reproductivo.

USO Y CUIDADO DE LA HERRAMIENTA

- Infórmate sobre la herramienta. Lee el manual con cuidado, aprende sobre sus

aplicaciones y limitaciones, como también sobre los riesgos específicos y potenciales relacionados con la herramienta.

- Usa únicamente los fijadores recomendados para el modelo. No uses los fijadores incorrectos ni los cargues de forma inadecuada.
- Comprueba que las piezas móviles no estén desalineadas ni bloqueadas, que no haya piezas dañadas o cualquier otra condición que pueda afectar el funcionamiento de la herramienta. Si está dañada, repara la herramienta antes de utilizarla. Muchos accidentes se deben al mantenimiento incorrecto de la herramienta.
- Cuida la herramienta para mantenerla en buenas condiciones. Mantén limpia la herramienta. Una herramienta con el mantenimiento adecuado corre menos riesgo de bloquearse y es más fácil de controlar.
- Guarda las herramientas fuera del alcance de los niños y otras personas que no sepan como utilizarlas. Las herramientas son peligrosas en manos de usuarios que no saben como utilizarlas.
- Comprueba el funcionamiento de la herramienta antes de usarla. No uses la herramienta si el mecanismo de contacto de la pieza de trabajo no funciona correctamente para evitar disparar los fijadores accidentalmente.
- No utilice la herramienta si el gatillo no se acciona correctamente. Toda herramienta que no pueda controlarse con el gatillo es peligrosa y debe repararse.
- No fuerces la herramienta. Utiliza la herramienta correcta según la aplicación. La herramienta correcta realizará el trabajo mejor y con más seguridad a la velocidad para la cual está diseñada.
- Usa abrazaderas u otra forma práctica para asegurar y sujetar la pieza de trabajo a una plataforma estable. Sostener la herramienta con la mano o apoyarla contra el cuerpo no ofrece la estabilidad adecuada y puede causar pérdida de control.
- Mantén la herramienta y el mango secos, limpios y libres de aceite o grasa. Usa siempre un paño limpio para la limpieza. Nunca uses líquido de freno, gasolina, productos a base de petróleo ni solventes para limpiar la herramienta.
- No utilices la herramienta como martillo.

- No utilices esta herramienta de tal manera que los fijadores se dirijan hacia cualquier otra cosa que no sea la pieza de trabajo.
- Nunca utilice gasolina ni ningún otro líquido inflamable para limpiar la herramienta. Nunca utilice la herramienta en presencia de líquidos o gases inflamables. Los vapores podrían encenderse por una chispa y causar una explosión que podría provocar lesiones personales graves o la muerte.
- No retire, fuerce ni haga que el gatillo o el seguro del mismo queden inutilizables. No haga funcionar ninguna herramienta que se haya modificado de dicha manera, en caso contrario podrían ocurrir lesiones personales graves o la muerte.
- No apriete el gatillo a menos que coloque sujetadores. Nunca fije el conducto de aire comprimido ni cargue la herramienta mientras aprieta el gatillo. La herramienta podría lanzar un sujetador y provocar lesiones personales graves o la muerte. Siempre coloque el seguro del gatillo en la posición de seguridad cuando no use la herramienta.
- Siempre fije la manguera con un conector o acoplador de manguera sobre o cerca de la herramienta, de forma tal que todo el aire comprimido en la herramienta se descargue al momento en que el conector o el acoplador de la manguera estén desconectados. No utilice una válvula de control ni ningún otro conector que permita que el aire permanezca en la herramienta, en caso contrario podrían ocurrir lesiones personales graves o la muerte.
- Nunca coloque las manos ni otra parte del cuerpo en el área de descarga de sujetadores de la herramienta. La herramienta podría lanzar un sujetador y provocar lesiones personales graves o la muerte.
- Nunca transporte la herramienta de la manguera de aire comprimido ni jale la manguera para mover la herramienta o un compresor. Mantenga las mangueras alejadas del calor, el aceite y los bordes filosos. Reemplace las mangueras dañadas o desgastadas, en caso contrario podrían ocurrir lesiones personales o daños en la herramienta.
- Siempre dé por sentado que la herramienta contiene sujetadores. Considere la herramienta como un

implemento de trabajo y no juegue con ella.

- Siempre mantenga a las demás personas a una distancia segura del lugar de trabajo, en caso se produzcan descargas accidentales de sujetadores. No Apunte la herramienta hacia usted u otra persona, aun cuando no contenga sujetadores. La activación accidental de la herramienta podría provocar lesiones personales graves o la muerte.
- No deje caer ni lance la herramienta. Ya que esto podría ocasionar daños en la herramienta y causar que la misma ya no sea utilizable o segura. Si la herramienta ha sufrido caídas o ha sido lanzada, examínela atentamente y revise si hay piezas dobladas, rajadas o rotas y si hay fuga de aire comprimido. NO PROSIGA y repárela antes de usarla, en caso contrario podrían ocurrir lesiones graves.
- Evite usar la herramienta cuando el cargador está vacío. Ya que esto puede producir desgaste acelerado en la herramienta.
- Limpie y revise todas las mangueras y conectores de suministro de aire comprimido antes de conectar la herramienta a un suministro de aire comprimido. Reemplace las mangueras y conectores dañados o desgastados, de lo contrario el rendimiento o la durabilidad de la herramienta podrían verse reducidos.
- No utilices la herramienta si pierde aire o no funciona correctamente.
- No utilices la herramienta si no tiene una etiqueta de advertencia legible.
- Siempre sujete la herramienta por el mango. Nunca la sujetes por la manguera de aire.

REPARACIÓN DE LA HERRAMIENTA

- Usa únicamente accesorios identificados por el fabricante para ese modelo específico de herramienta.
- La utilización de piezas no autorizadas o el incumplimiento de las instrucciones de mantenimiento pueden aumentar el riesgo de lesiones.
- Usa únicamente los lubricantes provistos con la herramienta o especificados por el fabricante.
- La reparación de la herramienta debe ser realizada únicamente por personal calificado.

FUNCIONAMIENTO

- No coloques fijadores cerca del borde del material. La pieza de trabajo puede partirse y hacer que el fijador rebote y te dañe a ti o a las personas alrededor.
- No traslade la herramienta de un lugar a otro presionando el gatillo. Esto podría provocar una descarga accidental. La opción del método de disparos es importante. Verifique el manual para las opciones de disparo.
- Durante el uso normal la herramienta se rebobinará de inmediato luego de accionar un sujetador. Esta es una función normal de la herramienta. No intente evitar la rebobinación sosteniendo la herramienta en contra del funcionamiento. La restricción para rebobinar puede provocar que se accione un segundo sujetador desde la herramienta. Sujete la manija firmemente y permita que la herramienta realice el trabajo. No seguir esta advertencia puede provocar graves lesiones personales.
- No coloques fijadores sobre otros fijadores o con la herramienta a un ángulo demasiado inclinado ya que esto puede causar el desvío de los fijadores y provocar lesiones.
- No uses la herramienta a menos que pretendas colocar un fijador en la pieza de trabajo.
- Opera siempre la herramienta con cuidado:
 - ◆ Respeta la herramienta como implemento de trabajo.
 - ◆ Nunca la uses en bromas y juegos.
 - ◆ Nunca jale el gatillo a menos que la punta esté orientada directamente hacia el trabajo.
 - ◆ Mantén a los demás a una distancia segura de la herramienta ya que puede accionarse accidentalmente, y posiblemente causar lesiones.

ENTRADA DE AIRE Y CONEXIONES

- El conector de la herramienta no debe estar bajo presión al desconectar la entrada de aire. Si se utiliza un acoplador incorrecto, la herramienta puede quedar cargada de aire luego de la desconexión y podría disparar fijadores incluso con la línea de aire desconectada y ello puede causar lesiones.
- No utilice ningún tipo de gases reactivos,

lo que incluye pero no se limita al oxígeno o agases combustibles, como fuente de alimentación. Use únicamente aire comprimido filtrado, lubricado y regulado. El uso de gas reactivo en lugar de aire comprimido puede hacer que la herramienta explote, lo cual produciría lesiones personales Graves o la muerte.

- Use únicamente una fuente de aire comprimido de presión regulada para limitar la presión de aire suministrada a la herramienta. La presión regulada no debe superar los 7,93 bar. Si el regulador falla, la presión enviada a la herramienta no debe superar los 13,79 bar, de lo contrario la herramienta podría explotar y causar lesiones personales graves o la muerte.
- Desconecta siempre la fuente de aire:
 - ◆ Antes de descargar o realizar ajustes.
 - ◆ Al realizar el mantenimiento de la herramienta.
 - ◆ Al desatascarla.
 - ◆ Al tocar la horquilla de seguridad.
 - ◆ Cuando la herramienta no está en uso.
 - ◆ Al desplazarse a otra área de trabajo.

Dichas medidas de precaución reducirán el riesgo de lesiones a personas.

CARGAR LA HERRAMIENTA

- No cargues la herramienta con fijadores si alguno de los controles operativos está activado.
- Nunca coloques la mano ni ninguna otra parte del cuerpo en el área de descarga de los fijadores.
- Nunca apuntes la herramienta hacia las personas.
- No jale el gatillo ni presione la pieza de trabajo en contacto ya que se podría accionar accidentalmente y posiblemente causar lesiones.

▲ ADVERTENCIA:

Las advertencias y precauciones mencionadas anteriormente no abarcan todas las condiciones y situaciones posibles. Es perfectamente comprensible que no podemos fabricar el sentido común y la precaución como partes de ningún producto, el usuario es el responsable de obrar en consecuencia.

DESEMPACAR

- Esta herramienta se ha enviado completamente ensamblada.
- Retira cuidadosamente la herramienta y los accesorios de la caja.
- Inspecciona la herramienta cuidadosamente para asegurarte de que no haya ocurrido ninguna rotura ni daño durante el envío.
- No deseches el material de empaque hasta que hayas inspeccionado cuidadosamente y utilizado satisfactoriamente la herramienta.
- Si alguna pieza está dañada o falta, llama al 1-888-669-5672.

⚠ ADVERTENCIA:

Si falta alguna pieza, no utilices esta herramienta hasta reemplazarla. De no seguir esta advertencia, pueden producirse lesiones graves.

⚠ ADVERTENCIA:

No intentes modificar esta herramienta o construir accesorios no recomendados para la misma. Tales modificaciones o cambios son considerados un mal uso y pueden resultar en condiciones peligrosas que a su vez pueden posiblemente causar lesiones.

CARACTERÍSTICAS

ESPECIFICACIONES

CONSUMO DE AIRE: 12,85 SCFM con 100

sugetadores por minuto a 6,2 bar

ENTRADA DE AIRE: NPT DE 6,3 mm

CAPACIDAD DEL CARGADOR:

55 pzs de calibre 10-12

PESO DE LA HERRAMIENTA: 3,9 kg

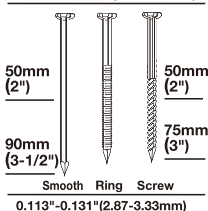
PRESIÓN MÁXIMA: 7,93 bar

RANGO DE PRESIÓN: 4,83-7,93 bar

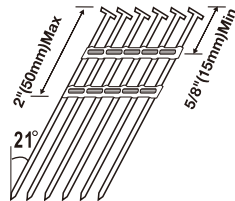
RANGO DE SUJETADORES:

50 mm (2") a 90mm (3-1/2")

0.268"-0.283"(6.8-7.2mm)



0.113"-0.131"(2.87-3.33mm)



Compatible con genéricas de clavos de cabeza completa para armazón de 21° en secuencia.

CARACTERÍSTICAS

● ESCAPE AJUSTABLE EN 360

GRADOS

Permite al usuario controlar el aire lejos de los cara.

● HOJA DE UNA PIEZA

Para mayor durabilidad.

● CÓMODA MANIJA DE AGARRE

Para mayor comodidad y control.

● STRUCTURA DE MAGNESIO

Herramienta liviana ideal para un uso prolongado.

● GATILLO BIMODAL

Facilita la activación de secuencia simples o contacto.

● PROFUNDIDAD AJUSTABLE

La profundidad se ajusta fácilmente para varias aplicaciones.

● DISEÑO DE DISPAROS ANTI SECADO

Disminuye el daño en componentes internos.

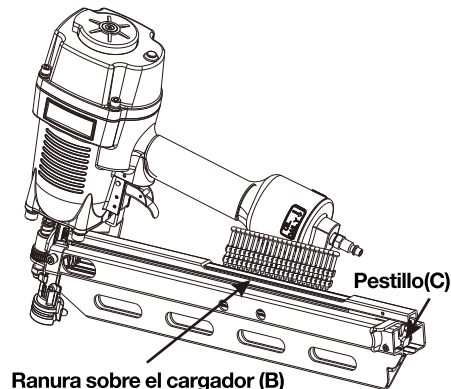
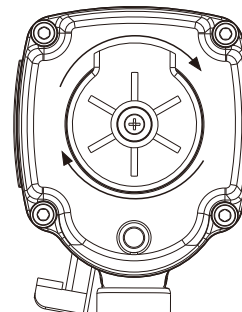
● CONTACTO DE SEGURIDAD QUE NO SE RAYA

Elimina el daño en las superficies de trabajo.

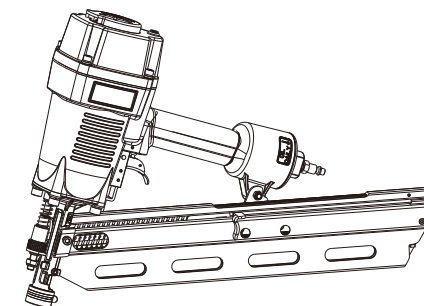
OPERACIÓN

CÓMO AJUSTAR EL ESCAPE

El escape ajustable en la cubierta de la herramienta permite a los usuarios controlar los escapes de acuerdo a las preferencias del operador. Para ajustar la dirección, gire la cubierta del tubo de escape a la dirección deseada.

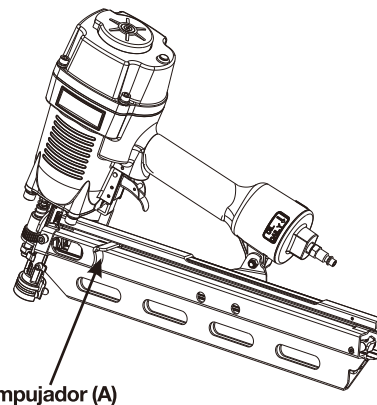


Ranura sobre el cargador (B)



CÓMO CARGAR LOS SUJETADORES

1. Conecte la herramienta a la fuente de aire.
2. Jale el empujador (A) hacia atrás hasta cargado. Coloque el listón de los sugetadores en la ranura sobre el cargador (B). Asegúrese de que los sugetadores apunten hacia abajo.
3. Presione el pestillo (C), luego lanzamiento el empujador para que pueda volver y desplazar los sugetadores hacia arriba al mecanismo de disparo. El disparador se detendrá cuando permanezca contra el extremo del sugetador.



Empujador (A)

⚠ ADVERTENCIA:

La herramienta puede dispararse al ser conectada por primera vez a la fuente de aire. Conecta siempre la herramienta a la fuente de aire antes de cargar los fijadores para evitar lesiones causadas por ciclos accidentales. Asegúrate siempre de que el cargador de la herramienta esté vacío al comienzo de cada sesión de trabajo, antes de conectarla a una fuente de aire.

⚠ ADVERTENCIA:

Use solamente los sugetadores recomendados para esta herramienta. Los sugetadores no identificados por el fabricante de la herramienta para usarse con la misma pueden causar lesiones a las personas o daños en la herramienta cuando se usan con ella.

⚠ ADVERTENCIA:

Mantenga la herramienta en dirección opuesta a usted y otras personas al cargar los sujetadores. No hacerlo podría provocar lesiones personales graves.

⚠ ADVERTENCIA:

Nunca cargue el sujetador con la pieza de trabajo en contacto o el gatillo activado. Esto podría provocar lesiones personales graves.

CÓMO DESCARGAR LOS SUJETADORES

La descarga es lo opuesto a la carga, (Excepción) siempre desconecte la fuente de aire antes de realizar la descarga.

⚠ ADVERTENCIA:

Siempre descargue todos los sujetadores antes de retirar la herramienta del servicio.

⚠ ADVERTENCIA:

Conecta siempre la herramienta a la fuente de aire antes de cargar los fijadores para evitar lesiones causadas por ciclos accidentales.

CÓMO RETIRAR SUJETADORES ATASCADOS

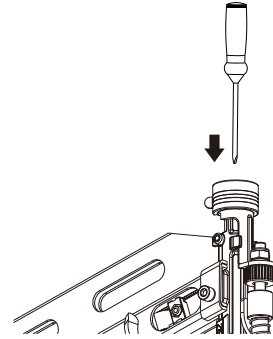
En ocasiones, un sujetador puede atascarse en el mecanismo de disparo, dejando la herramienta inoperante. Para retirar el sujetador atascado, siga los siguientes pasos:

1. Desconecta la herramienta de la fuente de aire.
2. Retire los sujetadores de la herramienta. No hacerlo podría provocar que los sujetadores se expulsen desde la parte frontal de la herramienta.
3. Desconecte el sujetador atascado del extremo, si es necesario use pinzas o un destornillador para limpiar el sujetador atascado. Tenga cuidado de no doblar o dañar la hoja.

4. Después reconecta la fuente de aire a la herramienta.
5. Vuelve a cargar la herramienta con fijadores.

⚠ ADVERTENCIA:

Asegúrese de que no haya sujetadores en el cargador antes de retirar un sujetador atascado.



⚠ ADVERTENCIA:

Desconecte la herramienta de la fuente de aire cada vez que retire un sujetador atascado. Luego de desconectar la herramienta del compresor de aire, debería haber suficiente presión de aire para disparar. Luego de desconectar la manguera de aire, siempre dispare la herramienta varias veces sobre un trozo de madera que no utilice para asegurarse de que se expenda todo el aire comprimido.

ALMOHADILLA QUE NO RAYA

La almohadilla que no raya que se encuentra adherida al extremo de la herramienta ayuda a evitar que se estropee y abolle al trabajar con maderas más blandas.

⚠ ADVERTENCIA:

Desconecte la herramienta del suministro de aire antes de retirar o reemplazar la almohadilla que no raya. El incumplimiento de dicho paso podría provocar graves lesiones personales.

CÓMO CONFIGURAR LA PRESIÓN DE AIRE

La cantidad de presión de aire requerida depende del tamaño de los fijadores y del material de la pieza de trabajo.

Comienza por comprobar la profundidad de clavado disparando un clavo de prueba hacia una pieza de trabajo del mismo material utilizado para el trabajo real.

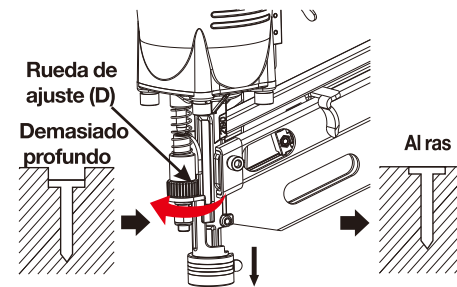
Dispara un fijador de prueba con la presión de aire configurada a 6,2-6,6 bar. Aumenta o reduce la presión de aire para hallar la configuración más baja posible para realizar el trabajo con resultados uniformes.

Es posible que se pueda lograr la profundidad deseada ajustando únicamente la presión de aire.

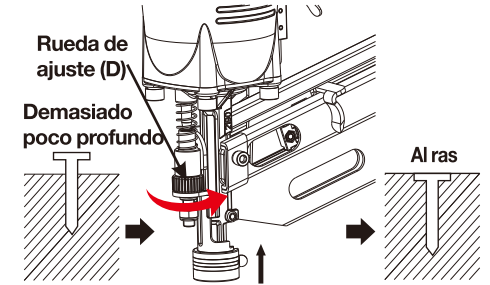
AJUSTE DE PROFUNDIDAD

La profundidad de disparo de los sujetadores es ajustable. Para ajustar la profundidad, utilice la rueda de ajuste de profundidad de disparo (D) en la herramienta.

1. Desconecta la herramienta de la fuente de aire.
2. Gire la rueda de profundidad hacia la izquierda o hacia la derecha para cambiar la profundidad de disparo
3. Después reconecta la fuente de aire a la herramienta.
4. Dispare un clavo de prueba luego de realizar cada ajuste hasta establecer la profundidad deseada.



Gire el pomo de ajuste en el sentido de las agujas del reloj



Gire el pomo de ajuste en contrario al de las agujas del reloj

PRECAUCIÓN:

Se recomienda probar la profundidad en una pieza de trabajo de desecho para determinar la profundidad requerida para la aplicación.

Para determinar la profundidad de disparo, primero ajuste la presión de aire y dispare un sujetador de prueba. Nunca supere los 7,93 bar.

CÓMO ACTIVAR LA HERRAMIENTA (USO DEL GATILLO SELECCIONABLE)

La herramienta está equipada con un gatillo seleccionable activado en el modo de acción secuencial simple (gatillo negro). El gatillo seleccionable (gatillo naranja) también se puede activar para obtener el modo de acción.

MODO DE ACCIÓN SECUENCIAL SIMPLE
(Este modo de disparo es predefinido por fábrica)

La acción secuencial simple proporciona la colocación más precisa del sujetador. Está se considera un modo más restrictivo y seguro para usuarios con menos experiencia.

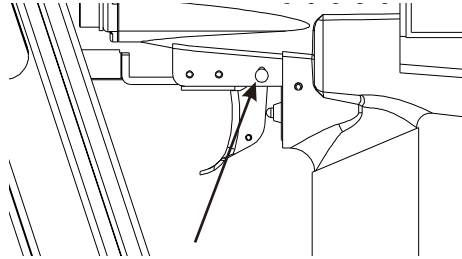
Para utilizar la herramienta para clavar clavos en este modo de accionamiento, el elemento de contacto con la pieza de trabajo y el gatillo se deben usar en un orden específico.

1. Este modo de disparo es predefinido por fábrica
2. Conecta la herramienta de la fuente de aire.
3. Sostenga firmemente la herramienta para mantener el control. Coloque el extremo de la herramienta en la superficie de trabajo.
4. Apriete el gatillo para disparar un sujetador.
5. El elemento de contacto con la pieza de trabajo se debe presionar completamente colocando la punta de la herramienta contra la pieza de trabajo.
6. Se debe tirar firmemente del gatillo y luego se debe soltar.
7. Se debe dejar que la herramienta retroceda alejándose de la pieza de trabajo.
8. Primero tirar del gatillo, entonces presione el elemento de contacto de trabajo contra la superficie de trabajo, la clavadora NO PUEDE funcionar.

MODO DE ACCIÓN DE CONTACTO

La acción de contacto permite la colocación repetida del sujetador muy rápido. Para utilizar le herramienta para clavar clavos en este modo de accionamiento, el elemento de contacto con la pieza de trabajo y el gatillo se pueden accionar en cualquier orden.

1. Desconecta la herramienta de la fuente de aire.
2. Retire la junta tórica de la clavija del gatillo (E).
3. Tire del gatillo hacia afuera.
4. Coloque el gatillo naranja.
5. Presione la clavija del gatillo (E) hacia atrás, utilice un martillo pequeño si es necesario.
6. Vuelva a colocar la junta tórica para ajustar la clavija del gatillo (E).
7. Conecta la herramienta de la fuente de aire.
8. Tire del gatillo y siga tirando de él con la herramienta separada de la pieza de trabajo.
9. Presione el elemento de contacto con la pieza de trabajo contra la pieza de trabajo. Se clavará un clavo.
10. Se debe dejar que la herramienta retroceda alejándose de la pieza de trabajo.
11. Mueva la herramienta a lo largo de la pieza de trabajo con un movimiento de rebote. Cada vez que se presione el elemento de contacto con la pieza de trabajo, se clavará un clavo.
12. En cuanto se haya clavado el número deseado de clavos, retire el dedo del gatillo.



Clavija del gatillo (E)

NOTA:

Se recomienda este método cuando se requiere una colocación de clavos menos precisa. Se deberá tener extremo cuidado porque siempre se colocará un clavo cuando el elemento de contacto de trabajo se presiona contra cualquier superficie. Como la herramienta puede activarse sin retirar el dedo del gatillo, éste se considera un modo menos restrictivo, adecuado para usuarios con más experiencia.

⚠ ADVERTENCIA

Durante el uso normal la herramienta se rebobinará de inmediato luego de accionar un sujetador. Esta es una función normal de la herramienta. No intente evitar la rebobinación sosteniendo la herramienta en contra del funcionamiento. La restricción para rebobinar puede provocar que se accione un segundo sujetador desde la herramienta. Sujete la manija firmemente y permita que la herramienta realice el trabajo. No seguir esta advertencia puede provocar graves lesiones personales.

MÉCANISME DE SÛRETÉ DE DÉCLENCHEMENT À VIDE

Ce outil arrête la cuisson après 7 clous ou moins sont laissés dans le magasin. Insérez une autre bande de clous derrière les clous restants de reprendre tir. Cela aide permet d'empêcher usure et prolonger la vie de ce outil.

MANTENIMIENTO

⚠ ADVERTENCIA:

Antes de inspeccionar, dar mantenimiento y limpiar:
 ◆ Desconecta la herramienta de la fuente de aire.
 ◆ Vacía el cargador por completo.

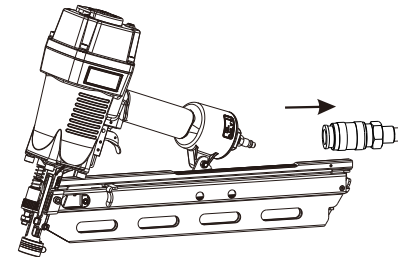
FUNCIÓN ANTIPOLVO

Todas las herramientas vienen con un tapón antipolvo en el conector de aire; verificalo si lo tienes después de desempacar la herramienta. Mantén el tapón antipolvo para cubrir el conector de aire.

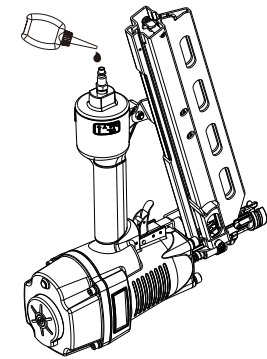
LUBRICACIÓN

Frecuente, pero no excesiva, se requiere lubricación para un mejor rendimiento. Aceite para la herramienta añadido a través de la conexión de la línea de aire complemento lubrica las partes internas.

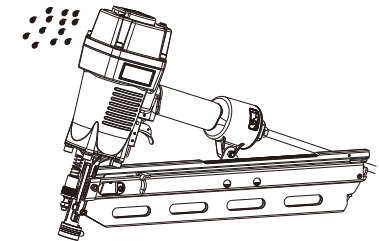
1. Desconecta la herramienta de la fuente de aire, a agregue lubricantes para herramientas.



2. Gire la herramienta de forma tal que la entrada de aire dé hacia arriba. Coloque 2 a 3 gotas de aceite neumático de la herramienta de la cerradura en la entrada de aire. No utilices aceite detergente ni aditivos puesto que estos Lubricantes causarán el desgaste acelerado de los sellos y amortiguadores de la herramienta, lo que resultará en el mal funcionamiento de la misma y elevará la frecuencia del mantenimiento.



3. Después de agregar el aceite, haga funcionar la herramienta por un breve periodo. Limpie el exceso de aceite de la salida de la cubierta.



PRECAUCIÓN:

Lubrica la herramienta únicamente con los lubricantes especificados.

LIMPIEZA

Evita el uso de solventes para limpiar las piezas plásticas. La mayoría de los plásticos pueden dañarse con facilidad al usar varios tipos de solventes comerciales. Usa paños limpios para limpiar la suciedad, polvo, grasa, etc.

⚠ ADVERTENCIA:

En ningún momento dejes que líquidos para freno, gasolina, productos a base de petróleo, aceites penetrantes, etc. entren en contacto con las piezas plásticas. Estos químicos pueden dañar, debilitar o destruir el plástico, lo que puede provocar lesiones graves.

OPERACIÓN EN CLIMAS FRÍOS

En caso de operación en climas fríos, cerca o debajo del punto de congelamiento, la humedad en la línea de aire puede congelarse evitando el funcionamiento de la herramienta. Recomendamos usar lubricantes para herramientas neumáticas o un anticongelante permanente (glicol de etileno) como lubricante para climas fríos.

PRECAUCIÓN:

No almacenes la herramienta en un ambiente de clima frío para evitar la formación de escarcha o hielo sobre las válvulas y mecanismos operativos de la herramienta, pues la misma podría dejar de funcionar.

CONEXIÓN RECOMENDADA

1. El compresor de aire debe ser capaz de mantener un mínimo de 4,83 bar mientras la herramienta está en uso. Un suministro inadecuado de aire puede causar una pérdida de potencia y un clavado desigual.
2. Se puede usar un lubricador para proporcionar circulación de aceite en toda la herramienta. Se puede usar un filtro para retirar las impurezas líquidas y sólidas, las que pueden oxidar piezas internas de la herramienta o hacer que éstas se apelmacen.

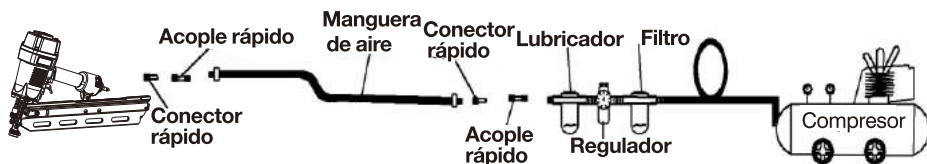
3. Siempre use mangueras de aire comprimido con una clasificación de presión de trabajo igual o superior a la presión de la fuente de alimentación en caso que el regulador falle, o de 10,34 bar, el que sea mayor. Use mangueras de aire comprimido de 3/8" para distancias de hasta 15,24 m y use un acoplador de conexión rápida de 3/8" en la manguera de aire comprimido.
4. Use un regulador de presión en el compresor con una presión de trabajo de 0 a 8,62 bar. Se necesita un regulador de presión que controle la presión de trabajo de la herramienta entre 4,83 y 7,93 bar.

PRECAUCIÓN:

El compresor de aire debe ser capaz de mantener un mínimo de 4,83 bar mientras la herramienta está en uso. Un suministro inadecuado de aire puede causar una pérdida de potencia y un clavado desigual.

ADVERTENCIA:

No conectes la herramienta a un compresor de aire que pueda exceder las 13,79 bar, La herramienta podría explotar y posiblemente provocar lesiones.



SOLUCIÓN DE PROBLEMAS

ADVERTENCIA:

Deje de utilizar inmediatamente la herramienta si se presenta alguno de los problemas descritos a continuación, de lo contrario podrían ocurrir lesiones personales graves. Cualquier reparación o reemplazo debe llevarse a cabo por un técnico calificado o un centro de servicio autorizado.

PROBLEMA	CAUSA POSIBLE	ACCIONES CORRECTIVAS
Fuga de aire en el de la válvula del gatillo.	Las juntas tóricas en el armazón de la válvula del gatillo están dañadas.	Cambie las juntas tóricas.
Fuga de aire entre el armazón y el borde.	1. Hay tornillos flojos en el armazón. 2. Juntas tóricas dañadas. 3. Protector dañado.	1. Apriete los tornillos. 2. Cambie las juntas tóricas. 3. Cambie el protector.
Fuga de aire entre el armazón y la cubierta.	1. Tornillos sueltos. 2. Empaquetadura dañada.	1. Apriete los tornillos. 2. Cambie la empaquetadura.
La herramienta no puede funcionar.	1. Nail atascado en la nariz. 2. Bajo las uñas desencadenando anti-fuego seco mecanismo. 3. La suciedad en la pieza de la nariz. 4. Revista dañada o atascada evita alimentar las uñas. 5. Flujo de aire inadecuado. 6. Desgaste de la junta tórica en el pistón o falta de lubricación. 7. Junta tórica dañada en la válvula de gatillo.	1. Borrar el clavo atascado. 2. Cargue más clavos. 3. Canal de accionamiento claro. 4. Reemplace o limpie la revista. 5. Verifique el suministro de aire adecuado. 6. Cambie y lubrique las juntas tóricas. 7. Reemplace el kit de la válvula de gatillo.
La herramienta pierde velocidad o potencia.	1. lubricación inadecuada. 2. Suministro de aire insuficiente. 3. La herramienta no está configurada correctamente.	1. Lubricar la herramienta. 2. Verificar el suministro de aire adecuado. 3. Ajuste el AJUSTE DE PROFUNDIDAD rueda, o quita NON-MARRING almohadilla.
Los sujetadores se atascan en la herramienta.	1. sujetadores incorrectos. 2. sujetadores dañados. 3. Los tornillos de la revista o nariz están sueltos. 4. El conductor está dañado.	1. Verifique que los sujetadores tengan el tamaño correcto. 2. Limpie y reemplace los sujetadores. 3. Apretar los tornillos. 4. Reemplace el controlador.

ADVERTENCIA:

Use sólo piezas de repuesto autorizadas por Freeman. Si tiene preguntas llame al 1-888-669-5672 o visite nuestro sitio Web en <http://www.freemantools.com>

PIEZAS DESGASTADAS

Puede pedir piezas de repuesto en nuestro sitio Web: <http://www.freemantools.com>

GARANTÍAS DE LOS PRODUCTOS PGP INC.**Garantía de pistola neumática para clavos Freeman****Garantía de 2 años para herramientas profesionales**

la garantía limitada para herramientas Freeman se extiende en forma exclusiva al comprador original del producto Freeman, comienza en la fecha de compra y excluye todas las piezas de desgaste. Durante el período de garantía Prima Global Products, Inc. (PGP) garantiza expresamente que el producto Freeman está libre de defectos de material y mano de obra con sujeción a las excepciones y limitaciones contenidas en el presente. A su elección, PGP reparará, reemplazará u ofrecerá un reembolso completo por un producto Freeman que tenga un defecto de material o mano de obra.

Garantía de 90 días para piezas de desgaste

la garantía limitada para piezas de desgaste se extiende en forma exclusiva al comprador original del producto Freeman, comienza en la fecha de compra e incluye las hojas guías, los protectores, juntas tóricas, pistones, aros de pistón y empaquetaduras. Durante el período de garantía PGP expresamente garantiza que el producto Freeman está libre de defectos de material y mano de obra con sujeción a las excepciones y limitaciones contenidas en el presente. A su elección, PGP reparará, reemplazará u ofrecerá una reembolso completo por un producto Freeman que tenga un defecto de material o mano de obra.

PARA HACER UN RECLAMO DE GARANTÍA SE REQUIERE EL ORIGINAL DEL RECIBO O PRUEBA DE COMPRA QUE EMITIÓ EL VENDEDOR DONDE SE INDIQUE LA FECHA DE COMPRA. También se necesita registrar la garantía lo que se podrá hacer a través del proceso de registro de producto en línea en www.freemantools.com, seleccione SOPORTE, luego REGISTRO DE PRODUCTO. Para hacer un reclamo de garantía, el comprador original deberá enviar a PGP o a uno de sus centros de servicios autorizados la Pistola para Clavos Freeman, franqueo postal prepagado y garantizado, incluyendo la prueba de compra. Para cualquier consulta llame al 1-888-669-5672. No se hará cobro alguno por las reparaciones que estén cubiertas por la presente garantía, con excepción del costo del franqueo postal y los requisitos de seguro.

Exclusiones de la garantía

Esta garantía no se aplicará en ninguno de los siguientes casos:

- Cuando se hayan hecho, o intentado hacer, reparaciones o modificaciones por otros o cuando se haya usado sin autorización piezas o accesorios no conformes.
- Cuando se requiera hacer reparaciones debido al desgaste lógico y normal.
- Cuando se haya usado inadecuadamente la pistola para clavos o no se haya operado en forma apropiada o no se le haya dado el mantenimiento que correspondía, incluyendo: no usar aire comprimido regulado, seco y limpio a la presión recomendada; accidentes provocados por uso del producto Freeman después de una falla parcial.
- El producto Freeman se usa comercialmente en líneas de ensamblaje o de producción. El producto Freeman está diseñado para ser usado por personas particulares y es por eso que esta garantía no se extiende a usos comerciales.

EN LA PRESENTE GARANTÍA NO SE DA NINGUNA OTRA GARANTÍA, ORAL O ESCRITA, EXPRESA O IMPLÍCITA, QUE NO SEA LA QUE SE INDICA LÍNEAS ARRIBA EN RELACIÓN A ESTE PRODUCTO FREEMAN. TODA GARANTÍA IMPLÍCITA TENDRÁ UNA DURACIÓN LIMITADA AL PERÍODO DE GARANTÍA APLICABLE QUE SE MENCIONA AQUÍ. ALGUNOS ESTADOS NO PERMITEN LIMITACIONES SOBRE CUÁNTO TIEMPO DURA UNA GARANTÍA IMPLÍCITA, POR LO QUE LO AQUÍ CONSIGNADO PODRÍA NO APLICARSE A SU CASO. SUS RECURSOS LEGALES SE LIMITAN ÚNICA Y EXCLUSIVAMENTE A LO AQUÍ CONSIGNADO. EN NINGÚN CASO PGP SERÁ RESPONSABLE POR DAÑOS INDIRECTOS, FORTUITOS O CUANTIFICABLES, POR LO QUE LA LIMITACIÓN O EXCLUSIÓN AQUÍ CONTENIDA PUEDE NO APLICARSE A SU CASO. EN NINGÚN CASO, SEA COMO RESULTADO DE UN INCUMPLIMIENTO DE CONTRATO, DE GARANTÍA, AGRAVIO (INCLUYENDO NEGLIGENCIA) U OTRO, LA RESPONSABILIDAD DE PGP EXCEDERÁ EL PRECIO DEL PRODUCTO QUE DIO ORIGEN AL RECLAMO DE GARANTÍA O A LA RESPONSABILIDAD. TODA OBLIGACIÓN RELACIONADA CON EL USO DE ESTE PRODUCTO TERMINARÁ AL VENCIMIENTO DEL PERÍODO DE GARANTÍA AQUÍ ESPECIFICADO. NINGÚN EMPLEADO O REPRESENTANTE DE PGP, O CUALQUIER OTRO AGENTE O DISTRIBUIDOR, ESTÁ AUTORIZADO A REALIZAR CAMBIOS O MODIFICACIONES A ESTA GARANTÍA.

La presente garantía le da al comprador derechos legales específicos. El comprador podría tener otros derechos que varían de un estado a otro.

ESTAS GARANTÍAS ESTÁN SUJETAS A CAMBIO SIN PREVIO AVISO.

FREEMAN

MODÈLE: PFR2190NQ

CLOUEUSE DE CHARPENTE POUR CLOUS À 21 DEGRÉS ET À TÊTE RONDE DE 3-1/2 PO

- [HTTP://WWW.FREEMANTOOLS.COM](http://www.freemantools.com)
- 1-888-669-5672
- PRIME GLOBAL PRODUCTS, INC.



AVERTISSEMENT

Tout manquement aux mises en garde pourrait se solder par **MORT D'HOMME OU DES BLESSURES GRAVES.**

CONSERVEZ CE MANUEL POUR RÉFÉRENCE ULTÉRIEURE.

MODÈLE: PFR2190NQ

FREEMAN

RÈGLES DE SÉCURITÉ GÉNÉRALES	P32
DÉBALLAGE	P35
CARACTÉRISTIQUES	P36
UTILISATION	
RÉGLAGE DE L'ÉVENT	P36
CHARGEMENT DES ATTACHES	P37
DÉCHARGEMENT DES ATTACHES	P37
DÉGAGER LES BLOCAGES	P38
APPUI ANTIMARQUES	P38
RÉGLAGE DE LA PRESSON D'AIR	P38
RÉGLAGE DE LA PROFONDEUR	P38
DÉCLENCHEMENT DE L'OUTIL	P39
MECANISMO DE DISPARO EN SECO	P40
ENTRETIEN	P40
RACCORD RECOMMANDÉ	P42
DÉPANNAGE	P43
PIÈCES D'USURE	P44
GARANTIES	P44



AVERTISSEMENT:

Les mises en garde et les précautions dont il est question dans le présent manuel ne couvrent pas toutes les conditions et les situations possibles. L'utilisateur doit comprendre qu'il est impératif de faire preuve de jugement et de prudence.

CONSERVEZ CE MANUEL

- Gardez ce manuel qui contient les avertissements de sécurité, les précautions à prendre, le mode de fonctionnement, les inspections et l'entretien à effectuer. Gardez ce manuel et le reçu dans un endroit sec et sécuritaire pour référence ultérieure.





AVERTISSEMENT:

Pour éviter tout risque de blessure grave, ne tentez pas d'utiliser cet outil avant d'avoir lu entièrement le manuel et de l'avoir compris. Conservez ce manuel et consultez-le fréquemment pour une utilisation sécuritaire par toute personne qui utilise cet outil.

SYMBOLES

- Dans le présent manuel, sur les étiquettes, les emballages et tous les autres documents d'information fournis avec cet outil, les symboles et leur signification décrivent les niveaux de risque associés à cet outil :

SYMBOLES	INDICATEUR	SIGNIFICATION
	AVERTISSEMENT :	Indique une situation potentiellement dangereuse qui, si elle n'est pas évitée, pourrait se solder par mort d'homme ou des blessures graves.
	ATTENTION :	Indique une situation potentiellement dangereuse qui, si elle n'est pas évitée, pourrait se solder par des blessures mineures ou modérées.
	ATTENTION :	(Aucun symbole) Indique une situation qui pourrait poser des risques de dommages matériels.

RÈGLES DE SÉCURITÉ

GÉNÉRALES

INSTRUCTIONS RELATIVES AU RISQUE D'INCENDIE, À L'ÉLECTROCUTION OU AU RISQUE DE BLESSURES.

AVERTISSEMENT:

Lors de l'utilisation des outils, il est toujours essentiel de suivre les mesures de sécurité de base, y compris celles qui suivent:

PROPOSITION 65 DE LA CALIFORNIE

AVERTISSEMENT:

Ce produit peut vous exposer à des produits chimiques, y compris le plomb, ce qui est connu de l'État de Californie pour causer le cancer, des anomalies congénitales ou d'autres troubles de la reproduction. Pour de plus d'informations, allez à www.P65Warnings.ca.gov.

ZONE DE TRAVAIL

- Garder la zone de travail propre et bien éclairée. Des établis encombrés et des endroits sombres présentent des risques d'accidents.
- N'utilisez pas l'outil en présence de vapeurs explosives (comme celles dégagées par des liquides, des gaz ou des poussières inflammables). Les étincelles générées par l'outil peuvent enflammer les liquides, les gaz ou les poussières inflammables.
- Éloignez les curieux, les enfants et les visiteurs de la zone de travail lorsqu'on utilise l'outil. Une distraction peut entraîner une utilisation inappropriée et causer des blessures.

Évitez les déclenchements accidentels. Afin d'éviter le déclenchement accidentel, soyez toujours prudent. Ne pointez jamais l'outil vers vous ou vers d'autres personnes, qu'il contienne ou non des attaches.

SÉCURITÉ PERSONNELLE

- N'enfoncez pas un clou par-dessus un autre clou. Le clou pourrait dévier et heurter quelqu'un ou provoquer un mouvement brusque de l'outil, ce qui peut entraîner des risques de blessure.
- Retirez votre doigt de la gâchette lorsque vous n'êtes pas en train d'enfoncer une fixation. Ne transportez jamais l'outil en gardant votre doigt sur la gâchette; l'outil pourrait projeter une fixation.
- Portez toujours des lunettes de sécurité. L'opérateur et les autres personnes se trouvant dans la zone de travail doivent toujours porter des lunettes de sécurité avec des écrans de protection latéraux conformes aux stipulations de l'ANSI. Les lunettes de protection assurent une protection contre les attaches et les débris pouvant causer des blessures graves aux yeux.
- Portez toujours des protecteurs auriculaires lorsque vous utilisez l'outil. Une exposition prolongée à des bruits de grande intensité risque de causer une perte auditive.
- Portez un équipement de protection. Il faut utiliser un masque antipoussières, des chaussures de sécurité à semelle antidérapante et un casque, en fonction des conditions de travail. Portez un masque complet si vous produisez de la limaille ou des copeaux de bois.
- Portez des vêtements appropriés. Évitez de porter des vêtements amples ou des bijoux. Attachez les cheveux longs. Gardez

UTILISATION ET ENTRETIEN DE L'OUTIL

les cheveux, les vêtements et les gants à l'écart des pièces mobiles. Les vêtements amples, bijoux ou cheveux longs pourraient se prendre dans les pièces mobiles.

- Demeurez vigilant, faites attention à ce que vous faites et faites preuve de jugement lorsque vous utilisez un outil électrique. N'utilisez pas l'outil si vous êtes fatigué ou lorsque vous avez pris de la drogue, de l'alcool ou des médicaments. De graves blessures peuvent résulter d'un moment d'inattention lors de l'utilisation de l'outil.
- Évitez les déclenchements accidentels. Éloignez les doigts de la détente lorsque vous ne clouez pas, particulièrement lorsque vous connectez l'outil à la source d'alimentation en air.
- Gardez les pieds au sol et conservez votre équilibre en tout temps. La stabilité et un bon équilibre permettent de mieux contrôler l'outil dans des situations inattendues. N'utilisez pas l'outil sur une échelle ou sur une surface instable. La stabilité sur une surface solide permet de mieux contrôler l'outil dans des situations inattendues.
- Assurez-vous que le tuyau n'est pas obstrué ou partiellement bouché. Des tuyaux emmêlés ou enchevêtrés risquent de vous faire perdre l'équilibre ou tomber, d'endommager l'outil et de causer des blessures.
- Ne tendez pas trop les bras. Gardez les pieds au sol et conservez votre équilibre en tout temps. La stabilité et un bon équilibre permettent de mieux contrôler l'outil dans des situations inattendues.
- N'attachez pas le tuyau ou l'outil à votre corps.
- Attachez le tuyau à la structure pour réduire le risque de perte d'équilibre si le tuyau bougeait.
- Assumez toujours que l'outil contient des attaches.
- Ne pointez jamais l'outil vers vous ou vers d'autres personnes, qu'il contienne ou non des attaches.
- Lavez vos mains après avoir manipulé l'outil. Cet outil ou son cordon d'alimentation peut contenir des produits chimiques reconnus par l'État de Californie comme causant des cancers et des malformations congénitales ou comme étant nocifs au système reproducteur.

- Apprenez à connaître cet outil. Lisez attentivement le manuel, familiarisez-vous avec les applications et les limites, ainsi qu'avec les risques potentiels liés à cet outil.
- N'utilisez que les attaches recommandées pour votre modèle. Chargez correctement les attaches et n'utilisez pas d'attaches inappropriées.
- Vérifiez l'alignement et l'absence de jeu des pièces mobiles, le degré d'usure des pièces ainsi que tout autre facteur susceptible de nuire au bon fonctionnement de l'outil. S'il est endommagé, faites réparer l'outil avant de l'utiliser. Des outils mal entretenus sont la cause de nombreux accidents.
- Prenez soin de vos outils. Gardez vos outils propres. Un outil bien entretenu réduit le risque de blocage et est plus facile à contrôler.
- Rangez l'outil hors de la portée des enfants et de toute autre personne qui n'en connaît pas le fonctionnement. Les outils sont dangereux dans des mains inexpérimentées.
- Vérifiez le fonctionnement de l'outil avant de l'utiliser. N'utilisez pas l'outil si le mécanisme de contact ne fonctionne pas. Cela pourrait causer l'éjection accidentelle d'une attache.
- N'utilisez pas l'outil si la détente ne fonctionne pas. Tout outil dont la détente ne fonctionne pas est dangereux et doit être réparé.
- Ne forcez pas l'outil. Utilisez le bon outil pour votre application. L'outil approprié fera mieux le travail et de façon plus sécuritaire à la vitesse pour laquelle il a été conçu.
- Utilisez des pinces ou un autre moyen pratique de tenir en place et de supporter l'ouvrage sur une plateforme stable. Maintenir l'outil avec votre main ou contre votre corps est instable et risque de causer la perte de contrôle de l'outil.
- Assurez-vous que les poignées sont sèches, propres et exemptes d'huile et de graisse. Utilisez toujours un chiffon propre pour le nettoyage. N'utilisez pas de liquide de frein, d'essence, de produits à base de pétrole ou tout autre diluant puissant pour nettoyer votre outil.
- N'utilisez pas l'outil comme un marteau.
- N'utilisez jamais cet outil lorsqu'une attache est dirigée vers autre chose qu'une pièce à travailler.

- N'utilisez jamais d'essence ou d'autres liquides inflammables pour nettoyer l'outil. N'utilisez jamais l'outil en présence de liquides ou de gaz inflammables. Une étincelle pourrait enflammer la vapeur, ce qui risquerait de causer une explosion qui pourrait se solder par mort d'homme ou des blessures graves.
- Il ne faut pas retirer, altérer, ou autrement rendre inutilisables le bouton de verrouillage de la détente ou la détente. N'utilisez pas un outil qui a été modifié de quelque façon que ce soit. Cela pourrait se solder par mort d'homme ou des blessures graves.
- Ne touchez la détente que lorsque vous enfoncez des attaches. Ne fixez pas le tuyau d'air comprimé à l'outil et ne transportez jamais l'outil avec votre doigt sur la détente. L'outil pourrait éjecter une attache, ce qui pourrait se solder par mort d'homme ou des blessures graves. Actionnez également le bouton de verrouillage lorsque vous n'utilisez pas l'outil.
- Attachez toujours à l'outil un raccord de façon à ce que tout l'air comprimé soit retiré de l'outil lorsque le joint d'accouplement est déconnecté. N'utilisez pas de clapet de non-retour ou tout autre tuyau qui permet à l'air de demeurer dans l'outil. Cela pourrait se solder par mort d'homme ou des blessures graves.
- Ne placez jamais vos mains ou toute autre partie du corps dans la zone d'éjection des attaches de l'outil. L'outil pourrait éjecter une attache, ce qui pourrait se solder par mort d'homme ou des blessures graves.
- Ne transportez jamais l'outil en le tenant par le tuyau d'air. Ne tirez jamais sur le tuyau pour déplacer l'outil ou un compresseur. Gardez les tuyaux éloignés des sources de chaleur, de l'huile et des bords coupants. Remplacez tout tuyau endommagé, fragile ou usé. Cela pourrait causer des dommages à l'outil ou des blessures.
- Assumez toujours que l'outil contient des attaches. Votre outil est un instrument de travail, pas un jouet.
- Gardez toujours les autres à une distance sécuritaire de la zone de travail en cas d'éjection accidentelle d'attaches. Ne pointez jamais l'outil vers vous ou vers d'autres personnes, qu'il contienne ou non des attaches. Le déclenchement accidentel

de l'outil pourrait se solder par mort d'homme ou des blessures graves.

- Ne laissez pas tomber l'outil et ne le lancez pas. Faire tomber ou lancer l'outil pourrait l'endommager et le rendre inutilisable ou non sécuritaire. Si l'outil est tombé ou a été lancé, vérifiez qu'il ne présente aucune pièce pliée, fissurée ou brisée et qu'il n'y a pas de fuite d'air. Cessez d'utiliser l'outil et faites-le réparer afin d'éviter les blessures graves.
- Évitez d'utiliser l'outil lorsque le magasin est vide. Cela entraîne l'usure accélérée de l'outil.
- Nettoyez et vérifiez tous les tuyaux d'air et raccords avant de connecter l'outil à une source d'alimentation en air. Remplacez tout tuyau ou raccord endommagé ou usé. Négliger de le faire pourrait contribuer à réduire la performance ou la durabilité de l'outil.
- N'utilisez pas l'outil s'il a une fuite d'air ou s'il ne fonctionne pas correctement.
- N'utilisez pas l'outil si aucune étiquette d'avertissement lisible n'y est apposée.
- Ne portez jamais l'outil par les tuyaux d'air.

ENTRETIEN DE L'OUTIL

- N'utilisez que des accessoires recommandés par le fabricant pour votre modèle d'outil.
- L'utilisation de pièces non autorisées ou le non-respect des instructions d'entretien pourrait causer un risque de blessure.
- N'utilisez que les lubrifiants fournis avec l'outil ou précisés par le fabricant.
- L'outil ne doit être réparé que par du personnel qualifié.

UTILISATION

- N'enfoncez pas d'attaches près du bord de la pièce. La pièce risque de se fendre, de faire ricocher l'attache et de blesser l'opérateur ou une autre personne.
- Ne déplacez pas l'outil avec le doigt sur la détente. Cela pourrait causer un déclenchement accidentel. Le choix de la méthode de déclenchement est important. Consultez le manuel pour connaître les différentes méthodes de déclenchement.
- Dans le cadre d'une utilisation normale, l'outil aura du recul immédiatement après avoir enfoncé une attache. C'est une fonction normale de l'outil. Ne tentez pas d'empêcher le recul en retenant l'outil contre

l'ouvrage. La restriction du recul pourrait causer l'éjection d'une seconde attache. Tenez fermement la poignée et laissez l'outil faire le travail. Ne pas tenir compte de cette mise en garde pourrait entraîner des blessures graves.

- N'enfoncez pas d'attaches sur d'autres attaches ou avec l'outil à un angle trop aigu. Ceci pourrait causer le ricochet des attaches et provoquer des blessures.
- N'actionnez pas l'outil à moins de vouloir enfoncer une attache dans la pièce.
- Utilisez toujours l'outil avec précaution :
 - ◆ Respectez votre outil en tant qu'instrument de travail.
 - ◆ Évitez de jouer avec.
 - ◆ N'appuyez jamais sur la détente à moins que l'embout ne soit dirigé vers l'ouvrage.
 - ◆ Gardez les autres à une distance sécuritaire de l'outil lorsque vous l'utilisez. Une activation accidentelle pourrait se produire et entraîner des blessures.

ALIMENTATION EN AIR ET CONNEXIONS

- Le connecteur de l'outil ne doit pas retenir la pression lorsque l'alimentation en air est déconnectée. Si un mauvais raccord est utilisé, l'outil pourrait demeurer chargé d'air après avoir été débranché et être en mesure d'enfoncer une attache même après le débranchement du tuyau d'air, pouvant ainsi entraîner des blessures.
- N'utilisez aucun type de gaz réactifs, notamment l'oxygène et les gaz combustibles comme source d'énergie.
- N'utilisez que de l'air comprimé filtré, lubrifié et contrôlé. L'utilisation d'un gaz réactif plutôt que d'air comprimé pourrait causer l'explosion de l'outil qui pourrait se solder par mort d'homme ou des blessures graves.
- N'utilisez qu'une source d'alimentation en air comprimé dont la pression est contrôlée afin de limiter la pression d'air de l'outil. La pression contrôlée ne doit pas excéder 793 kPa. Dans l'éventualité d'une défaillance du régulateur, la pression de l'outil ne doit pas excéder 1379kPa. L'outil pourrait exploser, ce qui pourrait entraîner mort d'homme ou des blessures graves.
- Déconnectez toujours la source d'alimentation en air :

- ◆ Avant de procéder au déchargement ou de faire des ajustements.
- ◆ Lorsque vous entreprenez l'outil.
- ◆ Lorsque vous libérez des attaches coincées.
- ◆ Lorsque vous touchez le palpeur de sécurité.
- ◆ Lorsque l'outil n'est pas utilisé.
- ◆ Lorsque vous transportez l'outil d'une aire de travail à une autre.

Ces précautions permettent de réduire les risques de blessure.

CHARGEMENT DE L'OUTIL

- Ne chargez pas d'attaches dans l'outil lorsque l'une des commandes est activée.
- Ne placez jamais vos mains ou toute autre partie du corps dans la zone d'éjection des attaches de l'outil.
- Ne pointez jamais l'outil vers quiconque.
- N'appuyez pas sur la détente ni sur la pièce à travailler puisque cela pourrait causer une activation accidentelle et causer des blessures.

▲ AVERTISSEMENT:

Les mises en garde et les précautions dont il est question précédemment dans ce manuel ne couvrent pas toutes les conditions et les situations possibles. L'utilisateur doit comprendre qu'il est impératif de faire preuve de jugement et de prudence.

DÉBALLAGE

- Cet outil a été expédié entièrement assemblé.
- Retirez soigneusement l'outil et les accessoires de la boîte.
- Inspectez attentivement l'outil pour vous assurer qu'aucun bris ou dommage n'est survenu pendant l'expédition.
- Ne jetez pas l'emballage tant que vous n'avez pas inspecté attentivement l'outil et que vous ne l'avez pas utilisé de façon satisfaisante.
- En cas de pièces manquantes ou endommagées, veuillez composer le 1-888-669-5672.

⚠ AVERTISSEMENT:

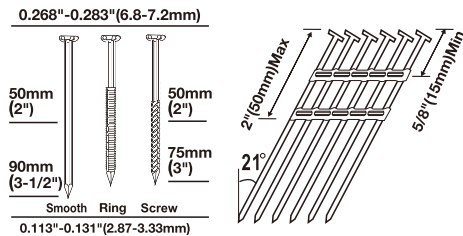
En cas de pièces manquantes, n'utilisez pas l'outil avant de les avoir remplacées. Tout manquement peut entraîner des blessures graves.

⚠ AVERTISSEMENT:

Ne tentez pas de modifier cet outil ou de créer des accessoires dont l'utilisation n'est pas recommandée avec cet outil. Toute altération ou modification est considérée comme une utilisation abusive et risque de créer une situation dangereuse pouvant entraîner des blessures graves.

CARACTÉRISTIQUES

- CONSOMMATION D'AIR : 0,364 m³/min avec 100 attaches par minute à 621 kPa
- ADMISSION D'AIR : 6,3 mm (1/4 po) NPT
- CAPACITÉ DU MAGASIN : 55 pièces de calibre 10-12
- POIDS : 3,9 kgs
- PRESSION MAXIMALE : 793 kPa
- PLAGE DE PRESSION : 483 - 793 kPa
- TAILLE DE ATTACHÉS: 50mm (2 po) à 90 mm (3-1/2po)



Compatible avec les clous de charpente à tête ronde, reliés sur support en plastique à 21 degrés, et générique.

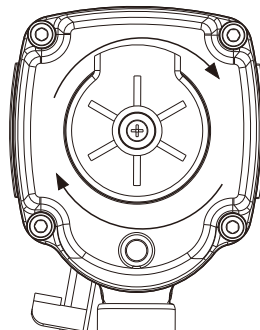
CARACTÉRISTIQUES

- **ÉVENT RÉGLABLE À 360°**
Permet à l'utilisateur de diriger l'air d'échappement loin des visage.
- **LAME D'ENTRAÎNEMENT UNE PIÈCE**
Pour augmenter la durabilité.
- **POIGNÉE À PRISE CONFORTABLE**
Pour plus de confort et de contrôle.
- **CORPS EN MAGNÉSIUM**
Outil léger, excellent pour une utilisation prolongée.
- **GÂCHETTE À DEUX MODES**
Permet un déclenchement par unique séquence ou contact.
- **PROFONDEUR RÉGLABLE**
La profondeur est facile à ajuster aux différentes applications.
- **DÉBLOCAGE RAPIDE**
Accès facile dans l'éventualité d'un blocage.
- **CONTACT DE SÉCURITÉ ANTIMARQUES**
Élimine les dommages causés aux surfaces de travail.

UTILISATION

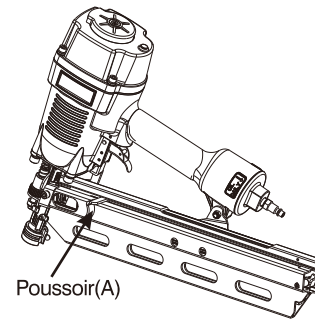
RÉGLAGE DE L'ÉVENT

L'évent réglable sur le couvercle de l'outil permet de diriger l'évent au besoin. Pour ajuster la direction, tournez le couvercle de l'évent dans la direction désirée.

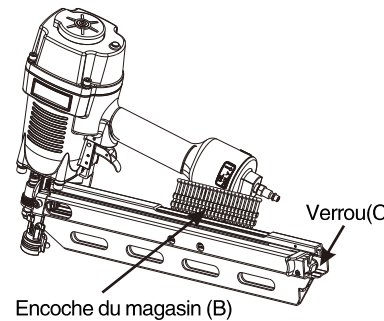


CHARGEMENT DES ATTACHES

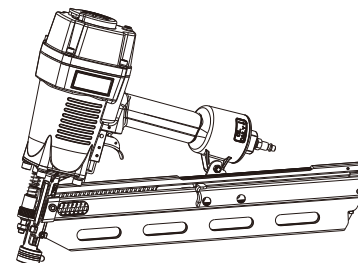
1. Raccordez l'outil à l'alimentation en air.
2. Tirez le poussoir (A) vers l'arrière À la fin du magasin. Insérez la bande de clous dans l'encoche du magasin (B). Assurez-vous que les clous sont pointés vers le bas.
3. Appuyez sur le verrou(C), puis libération sur le poussoir et laissez-le glisser vers l'avant afin qu'il conduise les clous jusqu'au mécanisme d'entraînement. Le poussoir s'immobilisera lorsqu'il touchera l'extrémité de la bande de clous.



Poussoir (A)



Encoche du magasin (B)



⚠ AVERTISSEMENT:

L'outil peut se déclencher lorsqu'il est connecté à la source d'alimentation en air. Connectez toujours l'outil à la source d'alimentation en air avant de charger les attaches afin d'éviter les blessures pouvant être causées par un cycle involontaire. Assurez-vous toujours que le magasin de l'outil est vide au début de chaque séance de travail et avant de le connecter à la source d'alimentation en air.

⚠ AVERTISSEMENT:

N'utilisez que les fixations recommandées pour une utilisation avec cet outil. L'utilisation de fixations qui ne sont pas conçues expressément pour cet outil par son fabricant peut entraîner des risques de blessure ou de dommages à l'outil.

⚠ AVERTISSEMENT:

Ne pointez pas l'outil vers vous ou vers d'autres personnes lorsque vous chargez les attaches. Tout manquement peut entraîner des blessures graves.

⚠ AVERTISSEMENT:

Ne chargez jamais les attaches lorsque le contact ou la détente est activé. Cela pourrait entraîner de graves blessures.

DÉCHARGEMENT DES ATTACHES

Le déchargement s'effectue à l'inverse du chargement, à l'exception du fait qu'il faut déconnecter la source d'alimentation en air avant de décharger.

⚠ AVERTISSEMENT:

Déchargez toujours toutes les attaches avant de le ranger.

⚠ AVERTISSEMENT:

Déconnectez toujours la source d'alimentation en air avant le déchargement.

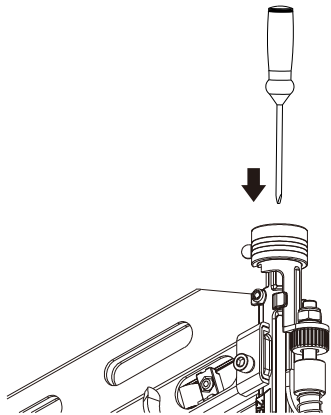
DÉGAGER LES BLOCAGES

Parfois, une attache se coince dans le mécanisme de déclenchement de l'outil, rendant celui-ci inutilisable. Pour retirer une attache coincée, suivez les étapes ci-dessous :

1. Débranchez l'outil de l'alimentation en air.
2. Retirez les clous de l'outil. Autrement, les clous pourraient être éjectés par le devant de l'outil.
3. Tirez sur le clou coincé pour le sortir de la tête, pour ce faire, utilisez des pinces ou un tournevis au besoin. Faites attention de ne pas plier ou endommager la lame d'entraînement.
4. Tournez le bouton de sécurité pour le remettre dans la position centrale lorsque vous n'utilisez pas l'outil.
5. Rechargez les attaches dans l'outil.

⚠ AVERTISSEMENT:

Assurez-vous que le magasin est vide avant de décoincer une attache.



⚠ AVERTISSEMENT:

Déconnectez l'outil de la source d'alimentation en air chaque fois que vous décoincez une attache. Après avoir déconnecté l'outil du compresseur, l'outil devrait encore contenir suffisamment d'air pour le déclencher. Après avoir déconnecté le tuyau d'air, déclenchez toujours plusieurs fois l'outil dans un morceau de bois afin de vous assurer que tout l'air comprimé est expulsé.

APPUI ANTIMARQUES

L'appui antimarques fixé à l'embout de l'outil contribue à prévenir les marques et les bosses lorsque vous travaillez des bois moins durs.

⚠ AVERTISSEMENT:

Déconnectez l'outil de la source d'alimentation en air avant de retirer ou de replacer l'appui antimarques. Tout manquement pourrait entraîner des blessures graves.

RÉGLER LA PRESSION D'AIR

La quantité de pression d'air nécessaire dépend de la taille des attaches et du matériau de la pièce.

Testez la profondeur de l'attache éjectée en enfonçant un clou dans le même type de matériau que celui utilisé pour le travail.

Enfoncez une attache avec la pression réglée entre 621 kPa et 655 kPa. Par la suite, il suffit d'augmenter ou de réduire la pression d'air pour trouver le réglage le plus faible qui permettra d'obtenir des résultats constants.

Il est possible d'obtenir la profondeur voulue en n'effectuant que des ajustements de la pression d'air.

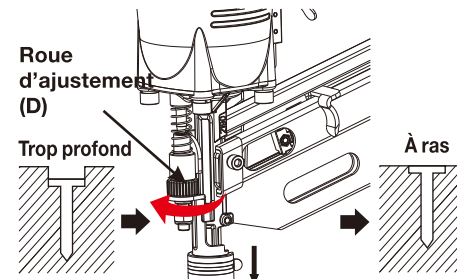
RÉGLAGE DE LA PROFONDEUR

La profondeur de clouage des attaches peut être ajustée. Pour régler la profondeur, utilisez le bouton de réglage de la profondeur (D) situé du côté droit de l'outil.

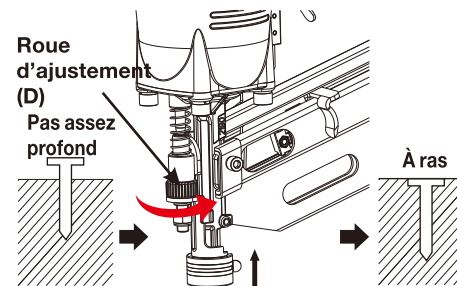
1. Déconnectez l'outil de la source d'alimentation en air.
2. Tournez le bouton de réglage vers la gauche ou la droite pour modifier la profondeur de clouage.
3. Reconnectez l'outil à la source d'alimentation en air.
4. Éjectez un clou après chaque réglage jusqu'à l'obtention de la profondeur voulue.

ATTENTION :

Il est recommandé de tester la profondeur de clouage sur une pièce inutilisée afin de déterminer la profondeur requise pour l'application. Pour déterminer la profondeur de clouage, réglez d'abord la pression d'air, puis éjectez une attache. Ne dépassez jamais 793 kPa.



Tournez le bouton de réglage de la ajustement dans le sens des aiguilles d'une montre.



Tournez le bouton de réglage de la ajustement dans le sens contraire des aiguilles d'une montre.

DÉCLENCHEMENT DE L'OUTIL (EN UTILISANT LA GÂCHETTE RÉGLABLE)

L'outil est muni d'une gâchette réglable ajustée au mode de déclenchement unique par séquence (gâchette noire). La gâchette réglable (orange) peut également être ajustée au mode de déclenchement par contact.

MODE DE DÉCLENCHEMENT PAR UNIQUE SEQUENCE (Ce mode est pré-réglé par usine)

Le déclenchement par unique séquence permet de poser les clous avec plus de précision. Ce mode est plus restrictif et convient mieux aux utilisateurs moins expérimentés.

Pour pouvoir utiliser l'outil afin d'enfoncer des clous dans ce mode d'éjection, il faut utiliser l'élément de contact avec l'ouvrage et la gâchette dans un ordre spécifique.

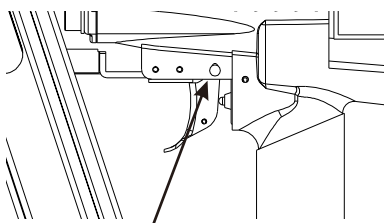
1. Ce mode est pré-réglé par usine
2. Connectez l'outil de la source d'alimentation en air.
3. Tenez l'outil fermement pour en garder la maîtrise. Placez la tête de l'outil sur la surface de travail. Collez l'outil contre la surface de travail pour activer le mécanisme de déclenchement.
4. Serrez la gâchette pour enfoncer un clou.
5. L'élément de contact avec l'ouvrage doit être complètement enfoncé en plaçant le bec de l'outil contre l'ouvrage.
6. Il faut tirer fermement sur la gâchette puis la relâcher.
7. Il faut permettre le rebond de l'outil loin de l'ouvrage. Pour continuer à travailler dans un autre endroit, emportez l'outil avec l'ouvrage.
8. Tout d'abord, appuyez sur la gâchette, puis appuyez sur l'élément de contact contre la surface de travail. La cloueuse NE PEUT PAS travailler.

MODE DE DÉCLENCHEMENT PAR CONTACT

Le déclenchement par contact permet de placer des clous à répétition très rapidement.

Pour pouvoir utiliser l'outil afin d'enfoncer des clous dans ce mode d'éjection, l'élément de contact avec l'ouvrage et gâchette peuvent être actionnés dans n'importe quel ordre.

1. Déconnectez l'outil de la source d'alimentation en air.
2. Retirez le joint torique de la goupille de la gâchette (E).
3. Retirez la goupille de la gâchette (E).
4. Mettez la gâchette orange en place.
5. Remettez en place la goupille de la gâchette (E) en utilisant un petit marteau, au besoin.
6. Remettez le joint torique en place pour fixer la goupille (E).
7. Connectez l'outil de la source d'alimentation en air.
8. Tirez sur la gâchette et maintenez-la tirée avec l'outil positionné de façon à ne pas être en contact avec l'ouvrage.
9. Appuyez l'élément de contact avec l'ouvrage contre l'ouvrage. Un clou sera enfoncé.
10. Il faut permettre le rebond de l'outil loin de l'ouvrage.
11. Faites avancer l'outil le long de l'ouvrage avec un mouvement rebondissant. Chaque fois que l'élément de contact avec l'ouvrage est enfoncé, un clou sera éjecté.
12. Dès que le nombre désiré de clous auront été enfoncés, retirez le doigt de la gâchette.



Goupille de la gâchette (E)

NOTE:

Ce mode est recommandé pour les tâches de clouage nécessitant moins de précision. Soyez extrêmement vigilant : l'outil enfonce un clou lorsque l'élément de contact est appuyé contre toute surface.

Comme ce mode permet d'activer l'outil sans retirer le doigt de la gâchette, il est considéré comme étant moins restrictif et convient aux utilisateurs expérimentés.

⚠ AVERTISSEMENT:

Durant son utilisation normale, l'outil subira une force de recul immédiatement après l'insertion d'un clou. Il s'agit d'une fonction normale de l'outil. Ne tentez pas d'empêcher le recul en retenant l'outil contre la surface de travail. Ne pas permettre le recul pourrait entraîner l'insertion d'un deuxième clou par l'outil. Tenez fermement la poignée et laissez l'outil faire le travail. Le non-respect de cet avertissement pourrait entraîner de graves blessures.

MECANISMO DE DISPARO EN SECO

Esta Herramienta esta diseñada para dejar de disparar con los últimos 7 clavos restantes en el cartucho. Inserte una nueva tira de clavos para restaurar el funcionamiento. Esto ayuda a prevenir disparos en seco y amplía el cuidado de las partes internas de la clavadora.

ENTRETIEN

⚠ AVERTISSEMENT:

Chaque fois qu'une inspection, qu'un entretien ou qu'un nettoyage est effectué :

- ◆ Déconnectez l'outil de la source d'alimentation en air.
- ◆ Videz complètement le magasin.

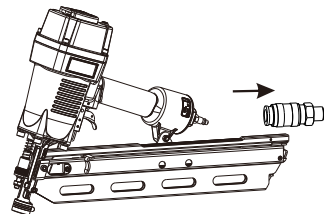
ANTIPOUSSIÈRES

Chaque outil est doté d'un couvercle antipoussières sur le connecteur à air. Placez le couvercle antipoussières sur le connecteur à air lorsque vous n'utilisez pas l'outil.

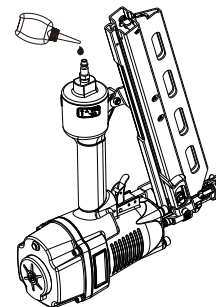
LUBRIFICATION

Fréquent, mais pas excessive, la lubrification est nécessaire pour une meilleure performance. Huile pour l'outil ajouté à travers la connexion add ligne aérienne va lubrifier les pièces internes.

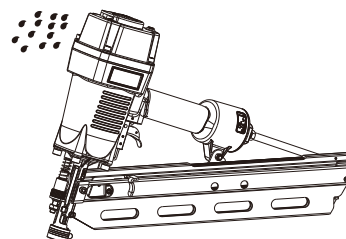
1. Débranchez l'alimentation en air de l'outil afin d'appliquer du lubrifiant.



2. Tournez l'outil de façon à ce que l'entrée d'air soit orientée vers le haut. Appliquez 2 ou 3 gouttes d'huile pour outil de fixation pneumatique dans l'entrée d'air. N'utilisez pas d'huile détergente, d'additif pour essence ou d'huile à outil pneumatique. N'ajoutez pas d'huile détergente ni d'autres additifs : ces lubrifiants accéléreraient l'usure des joints et des butoirs de l'outil, ce qui nuirait à son rendement et augmenterait la fréquence des entretiens.



3. Après avoir ajouté l'huile, raccordez l'outil à la source d'air et mettez brièvement l'outil en marche. Essayez tout excédent d'huile de la sortie d'air du couvercle.



ATTENTION :

Ne lubrifiez l'outil qu'avec les lubrifiants précisés.

NETTOYAGE

Évitez d'utiliser des solvants pour nettoyer les pièces de plastique.

La plupart des plastiques risquent d'être endommagés par l'emploi des différents types de solvants commerciaux.

Utilisez un chiffon propre pour retirer la saleté, la poussière, l'huile, la graisse, etc.

⚠ AVERTISSEMENT:

Le liquide de freins, l'essence, les produits à base de pétrole, les huiles de pénétration et autres ne peuvent en aucun cas entrer en contact avec les pièces de plastique. Les produits chimiques peuvent endommager, affaiblir ou détruire le plastique et ainsi causer des blessures graves.

FONCTIONNEMENT PAR TEMPS FROID

Par gel ou température proche du gel, l'humidité dans le tuyau d'air peut geler et nuire au fonctionnement de l'outil. Nous recommandons d'utiliser un lubrifiant ou un antigel permanent (éthylène glycol) pour outil pneumatique en guise de lubrifiant par temps froid.

⚠ AVERTISSEMENT:

Ne rangez pas les outils dans un environnement froid afin d'éviter le gel ou la formation de glace sur les valves de commande et les mécanismes de l'outil, ce qui pourrait entraîner une panne.

RACCORD RECOMMANDÉ

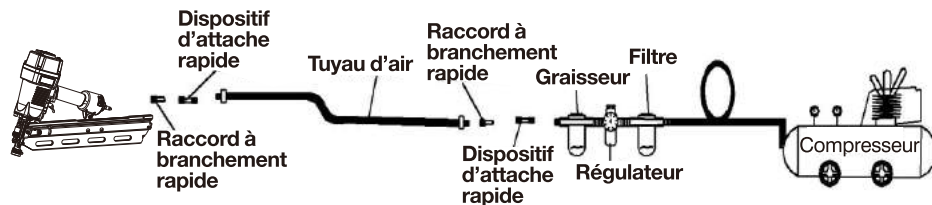
1. Le compresseur doit être en mesure de maintenir une pression minimale de 483 kPa lorsque l'outil est utilisé. Une mauvaise alimentation en air pourrait causer une perte de puissance et un déclenchement irrégulier.
2. Un réservoir d'huile peut être utilisé pour permettre la circulation d'huile dans l'outil. Un filtre peut être utilisé pour retirer les impuretés liquides et solides susceptibles de corroder ou d'encrasser les pièces internes de l'outil.
3. Utilisez toujours des tuyaux d'alimentation en air avec une pression d'air minimale équivalente ou supérieure à la pression de la source d'alimentation afin d'éviter une défaillance du régulateur. Ou 10,34 bar, Lequel est plus élevé. Utilisez un tuyau d'air de 9,53 mm (3/8 po) pouvant aller jusqu'à 15,24 m (50 pi), et utilisez 9,53mm (3/8 po) raccord rapide sur le tuyau d'air.
4. Utilisez un régulateur de pression sur le compresseur d'une pression de fonctionnement de 0 psi à 862 kPa. Un régulateur de pression est nécessaire pour contrôler la pression de fonctionnement de l'outil entre 483 kPa et 793 kPa.

ATTENTION :

Le compresseur doit être en mesure de maintenir une pression minimale de 483 kPa lorsque l'outil est utilisé. Une mauvaise alimentation en air pourrait causer une perte de puissance et un déclenchement irrégulier.

AVERTISSEMENT:

Ne connectez pas l'outil sur un compresseur pouvant dépasser 1379 kPa. L'outil pourrait exploser, ce qui pourrait entraîner des blessures.



DÉPANNAGE

AVERTISSEMENT:

Cessez immédiatement d'utiliser l'outil si l'un des problèmes suivants survient. Cela pourrait entraîner des blessures graves. Les réparations et les remplacements doivent être effectués par du personnel qualifié ou un centre de service autorisé.

PROBLÈME	CAUSE POSSIBLE	MESURES À PRENDRE
Fuite d'air au niveau de la soupape de détente.	Les joints toriques du boîtier de la soupape de détente sont endommagés.	Remplacez les joints toriques.
Fuite d'air entre le boîtier et l'embout.	1. Vis desserrées dans le boîtier. 2. Joints toriques endommagés. 3. Tampons endommagés.	1. Resserrez les vis. 2. Remplacez les joints toriques. 3. Remplacez le tampon.
Fuite d'air entre le boîtier et le couvercle.	1. Vis desserrées. 2. Garniture endommagée.	1. Remplacez les joints toriques. 2. Remplacez le tampon.
L'outil ne peut pas fonctionner.	1. Nail coincé dans le nez. 2. Low clous déclenchant anti-feu-sec mécanisme. 3. Dirt dans le morceau de nez. 4. Magazine endommagé ou coincé Empêche de nourrir les ongles. 5. Débit d'air insuffisant. 6. Joint torique du piston usé ou lubrification insuffisante. 7. O-ring endommagé sur la valve de déclenchement.	1. Effacer le clou coincé. 2. Charger plus de clous. 3. Effacer le canal du lecteur. 4. Remplacer ou nettoyer le magasin. 5. Vérifiez l'approvisionnement en air adéquat. 6. Remplacez et lubrifiez les joints toriques. 7. Remplacer le kit de soupape de détente.
L'outil fonctionne au ralenti ou subit une perte de puissance.	1. Lubrification inadéquate. 2. Approvisionnement en air insuffisant. 3. L'outil n'est pas configuré correctement.	1. Lubrifiez l'outil. 2. Vérifiez l'approvisionnement en air adéquat. 3. Ajustez l'AJUSTEMENT DE PROFONDEUR roue, ou enlever NON-MARRING tampon.
Des attaches sont coincées dans l'outil.	1. Les attaches incorrectes. 2. Attaches endommagées. 3. Magazine ou vis de nez sont lâches. 4. Le pilote est endommagé.	1. Vérifiez que les fixations sont correctes Taille. 2. Nettoyez et remplacez les fixations recommandées. 3. Resserrez les vis. 4. Remplacer le pilote.

AVERTISSEMENT:

N'utilisez que des pièces autorisées par Freeman pour la réparation. Si vous avez des questions, composez le 1-888-669-5672 ou allez sur notre site Web au <http://www.freemantools.com>

PIÈCES D'USURE

Des pièces de rechange peuvent être commandées sur notre site Web : <http://www.freemantools.com>

GARANTIES DES PRODUITS PGP INC.**Garantie pour les cloueuses pneumatiques Freeman****Garantie de 2 ans pour outil professionnel**

La garantie limitée pour outil Freeman s'applique exclusivement à l'acheteur original du produit Freeman, commence à la date d'achat et exclut les pièces susceptibles de s'user. Pendant la période de garantie, Prime Global Products, Inc. (PGP) garantit expressément que le produit Freeman est exempt de défaut de matériaux et de fabrication, sous réserve des exceptions et limitations contenues dans les présentes. PGP pourra à son gré, réparer, remplacer, ou offrir un remboursement complet pour un produit Freeman présentant un défaut de matériaux ou de fabrication.

Garantie de 90 jours pour les pièces soumises à l'usure

La garantie limitée Freeman pour les pièces susceptibles de s'user étend exclusivement à l'acheteur original du produit Freeman, commence à la date d'achat, et comprend les lames d'entraînement, butoirs, joints toriques, pistons, segments de piston et joints. Pendant la période de garantie PGP garantit expressément que le produit Freeman est exempt de défaut de matériaux et de fabrication, sous réserve des exceptions et limitations contenues dans les présentes. PGP pourra à son gré, réparer, remplacer, ou offrir un remboursement complet pour un produit Freeman présentant un défaut de matériaux ou de fabrication.

UN REÇU D'ACHAT DATÉ OU UNE PREUVE D'ACHAT DE L'ACHETEUR AU DÉTAIL ORIGINAL EST REQUIS POUR FAIRE UNE RÉCLAMATION DE GARANTIE. L'enregistrement de la garantie est également nécessaire et peut être fait par notre enregistrement de produits en ligne au www.freemantools.com. Sélectionnez l'onglet SOUTIEN, sélectionnez l'onglet ENREGISTREMENT DU PRODUIT. Pour procéder à une réclamation de garantie, l'acheteur original doit retourner la cloueuse pneumatique Freeman, port payé et assuré, avec preuve d'achat à PGP ou l'un de ses centres de service autorisés. Pour toute question, veuillez composer le 1-888-669-5672. Aucuns frais, autres que les frais de poste et d'assurance, ne seront exigés pour les réparations couvertes par cette garantie.

Exclusions de la garantie

Ces garanties ne sont pas applicables lorsque :

- Des réparations ou modifications ont été apportées, ou tentées, par un tiers, et/ou une utilisation de pièces ou d'accessoires non autorisés ou non conformes a eu lieu.
- Des réparations sont nécessaires en raison de l'usure normale.
- La cloueuse pneumatique a fait l'objet d'abus, a été utilisée de façon non appropriée, incorrectement entretenue ou maniée, incluant : l'incapacité à utiliser de l'air comprimé qui soit propre, sec et régulé à la pression recommandée; les accidents causés par l'utilisation du produit Freeman après une défaillance partielle.
- Le produit Freeman est utilisé à des fins commerciales pour les chaînes de montage ou les lignes de production. Le produit Freeman est destiné à un usage personnel et ces garanties ne couvrent pas de telles utilisations commerciales.

AUCUNE GARANTIE, VERBALE OU ÉCRITE, EXPLICITE OU IMPLICITE, AUTRE QUE LES GARANTIES INDIQUÉES CI-DESSUS N'EST FAITE EN CE QUI CONCERNE CE PRODUIT FREEMAN. TOUTE GARANTIE IMPLICITE SERA LIMITÉE À LA PÉRIODE DE GARANTIE DÉFINIE CI-DESSUS. CERTAINES JURIDICTIONS NE PERMETTENT PAS LA LIMITATION DE LA DURÉE D'UNE GARANTIE IMPLICITE, AUQUEL CAS LES CLAUSES CI-DESSUS NE VOUS CONCERNENT PEUT-ÊTRE PAS. VOS RECOURS SONT UNIQUEMENT ET EXCLUSIVEMENT COMME INDIQUÉS CI-DESSUS. PGP NE SERA EN AUCUN CAS RESPONSABLE DES DOMMAGES DIRECTS, INDIRECTS, CONSÉCUTIFS OU ACCESSOIRES. CERTAINES JURIDICTIONS NE PERMETTANT PAS L'EXCLUSION OU LA LIMITATION DES DOMMAGES DIRECTS OU INDIRECTS, CES LIMITATIONS OU EXCLUSIONS PEUVENT NE PAS S'APPLIQUER À VOUS. EN AUCUN CAS, QUE CE SOIT EN RAISON D'UNE RUPTURE DE CONTRAT, LA VIOLATION D'UNE GARANTIE, UN DÉLIT CIVIL (Y COMPRIS LA NÉGLIGENCE) OU AUTRE, LA RESPONSABILITÉ DE PGP NE DEVRA EXCÉDER LE PRIX DU PRODUIT CONCERNÉ PAR LA RÉCLAMATION OU LA RESPONSABILITÉ. TOUTE RESPONSABILITÉ RELIÉE À L'UTILISATION DE CE PRODUIT SE TERMINE À L'EXPIRATION DE LA PÉRIODE DE GARANTIE SPÉCIFIÉE CI-DESSUS. AUCUN EMPLOYÉ OU REPRÉSENTANT DE PGP, OU TOUT DISTRIBUTEUR OU REVENDEUR N'EST AUTORISÉ À PROCÉDER À TOUT CHANGEMENT OU MODIFICATION DE LA PRÉSENTE GARANTIE.

Ces garanties vous accordent des droits légaux spécifiques. Vous pouvez également avoir d'autres droits qui varient d'une juridiction à l'autre.

CES GARANTIES SONT SUJETTES À DES CHANGEMENTS SANS PRÉAVIS.