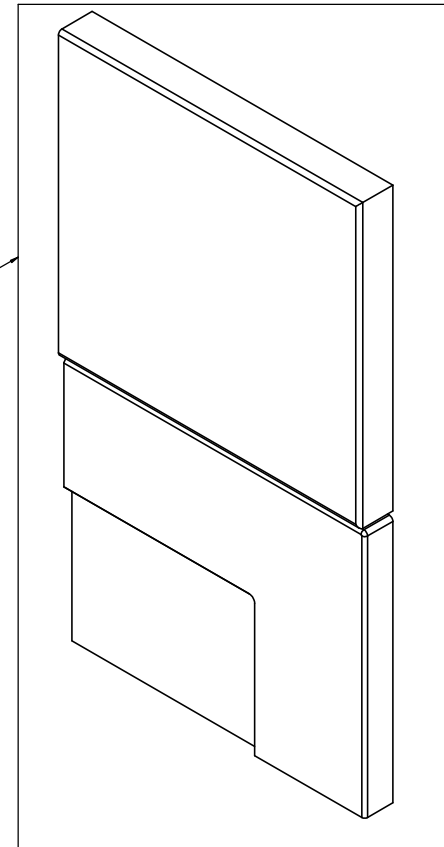
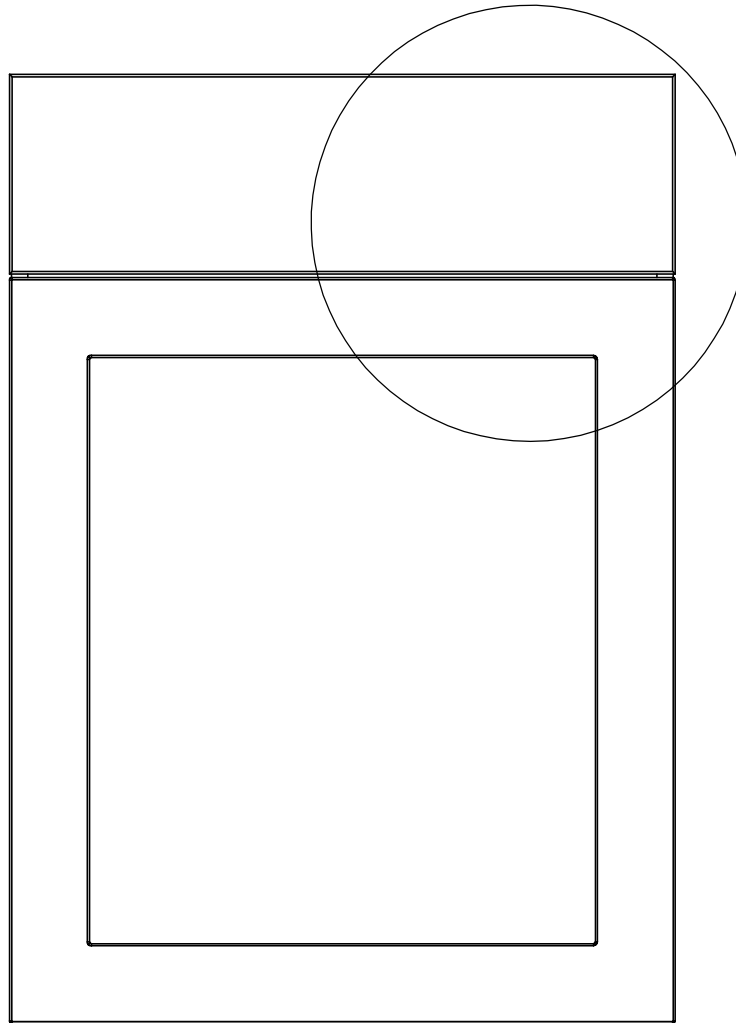


Item ID	Front Thickness [in] mm	Door Thickness [in] mm
CM2135B-WH	[.63] 16	[.63] 16

This profile belongs to CM2135B-WH

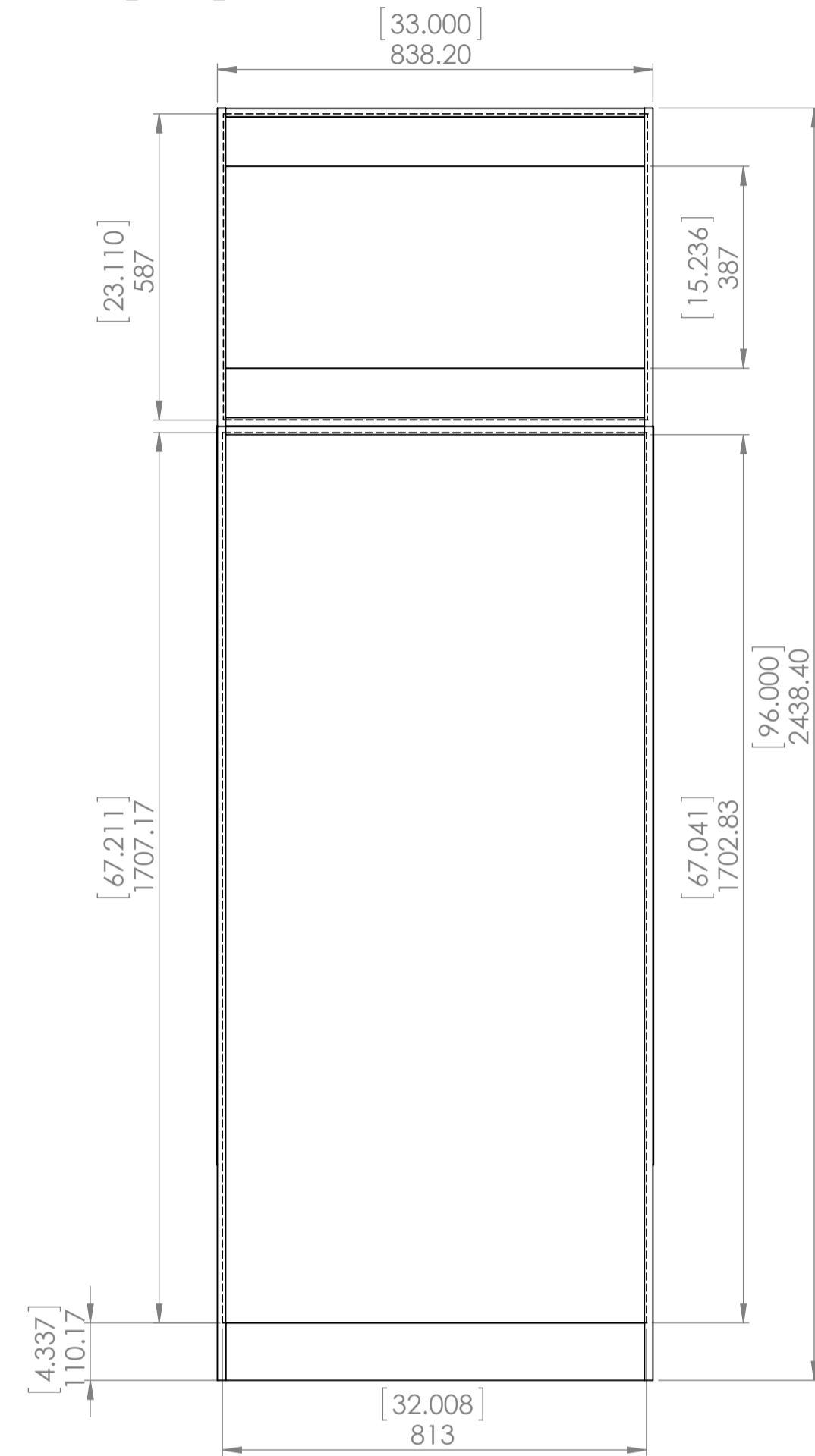


Detailed View

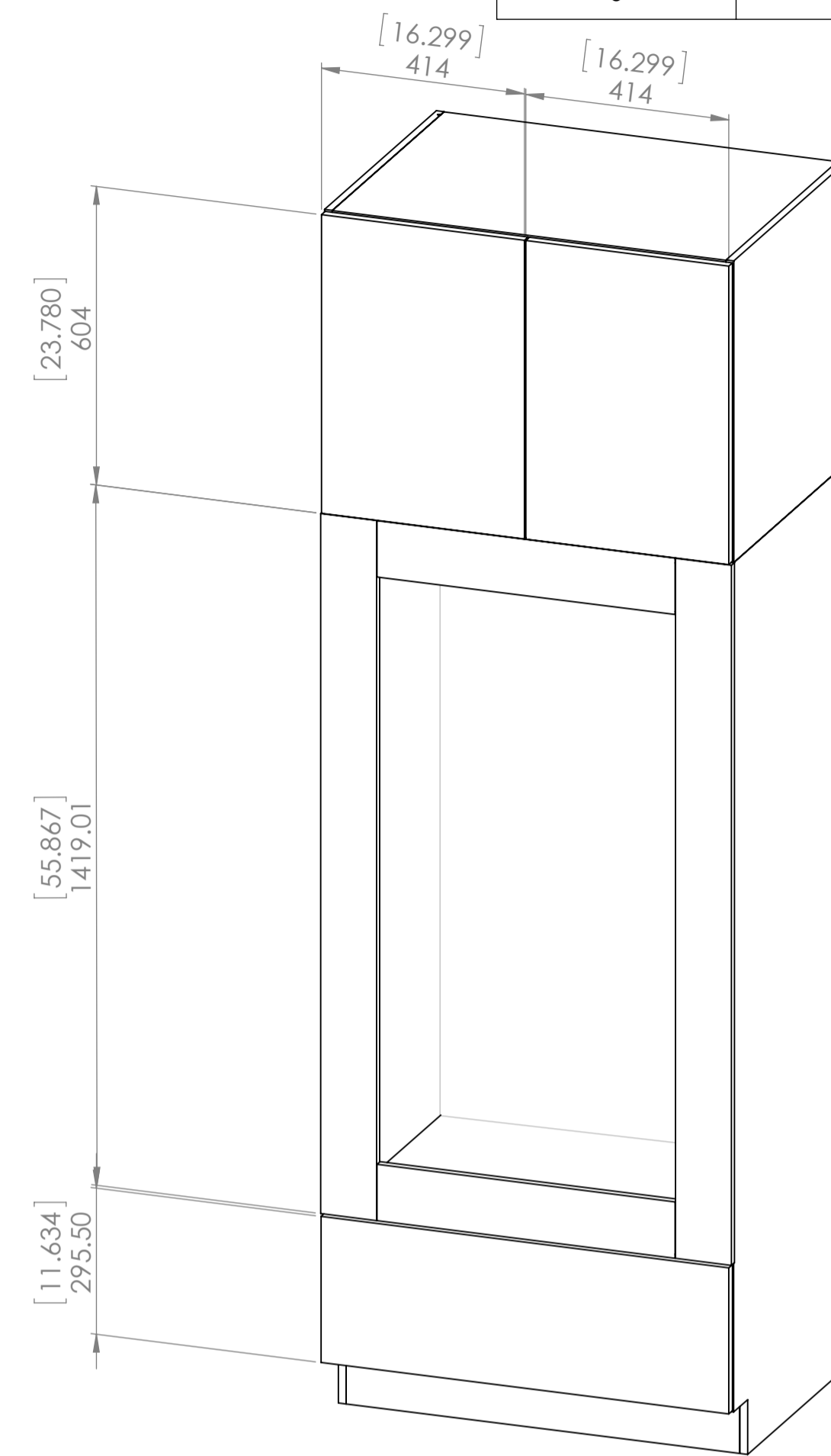
Profile: Cambridge White & Kitchen Gray		
PROPRIETARY AND CONFIDENTIAL THE INFORMATION CONTAINED IN THIS DRAWING IS THE SOLE PROPERTY OF WOODCRAFTERS. ANY REPRODUCTION IN PART OR AS A WHOLE WITHOUT THE WRITTEN PERMISSION OF WOODCRAFTERS IS PROHIBITED.	UNLESS OTHERWISE SPECIFIED DIMENSIONS ARE IN MM AND [INCHES] TOLERANCES ARE +.039[1]-.039[1] SCALE:1:2	

Item ID	Shelf Thickness [in] mm	Shelf Length and Width [in] mm	Depth "X" [in]
CM3396V-KG	[.75] 19	799x574.5	24.5
BT3396V-RC	[.75] 19	799x574.5	24.6
BT3396V-WH	[.75] 19	799x574.5	24.5
CM3396V-DK	[.75] 19	799x574.5	24.6
CM3396V-WH	[.59] 15	799x574.5	24.5

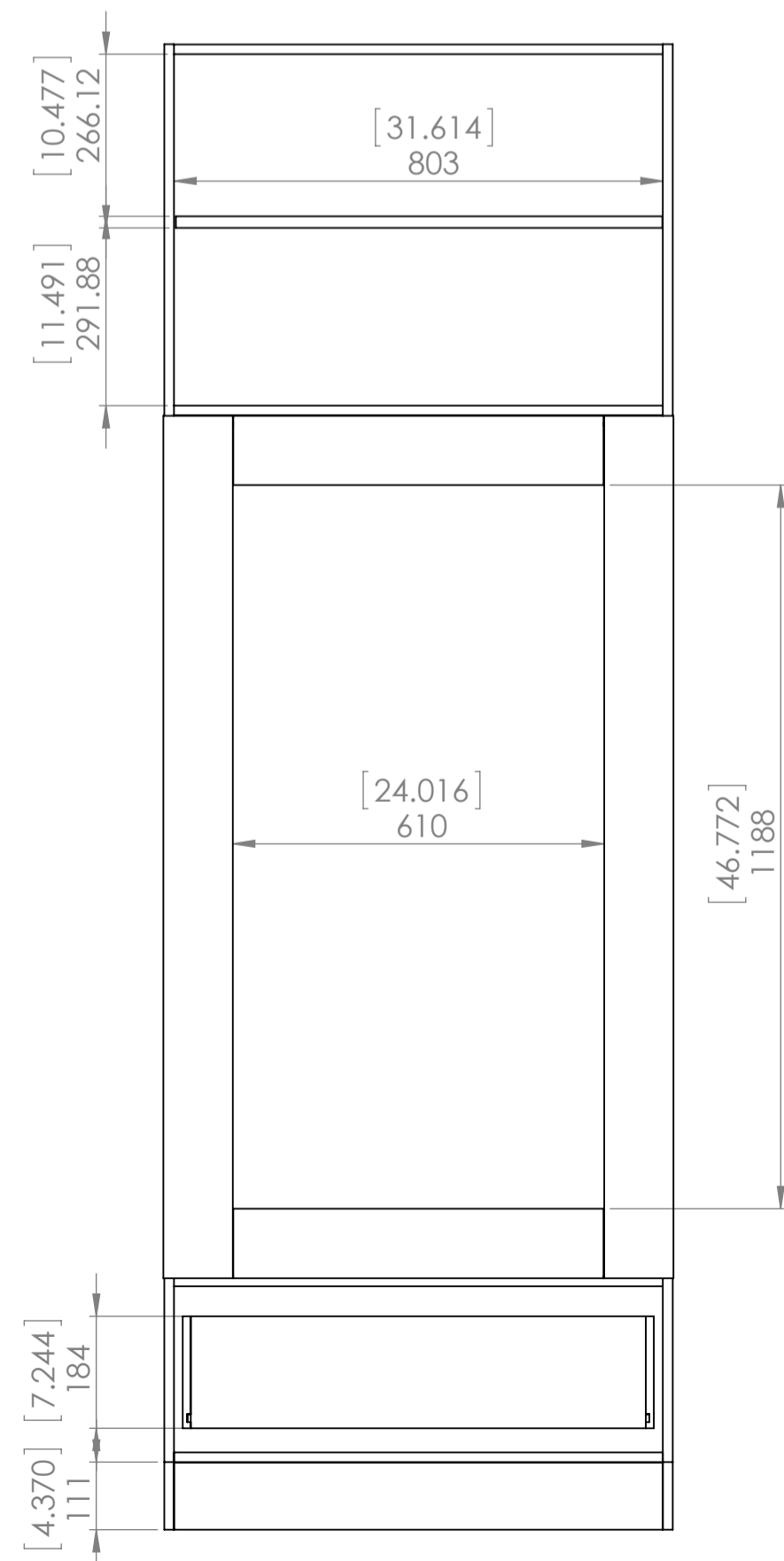
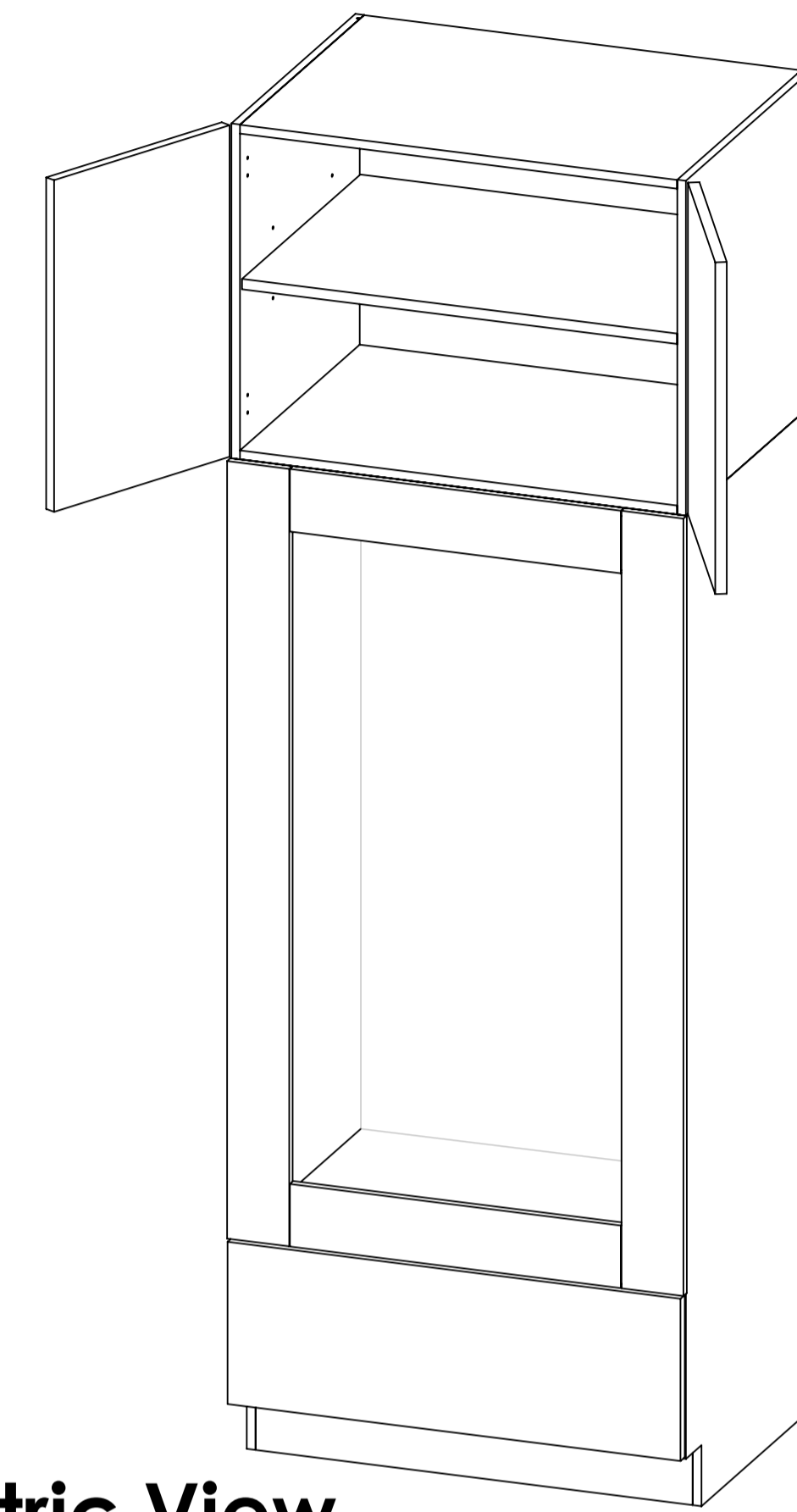
Description					
Double Oven Cabinet 33x96					
REV	ECO#	Description	REV'D BY DATE	CHK'D BY DATE	APRV'D BY DATE
0		Release	JG 03/01/2018	ASG 3/4/18	ASG 3/4/18



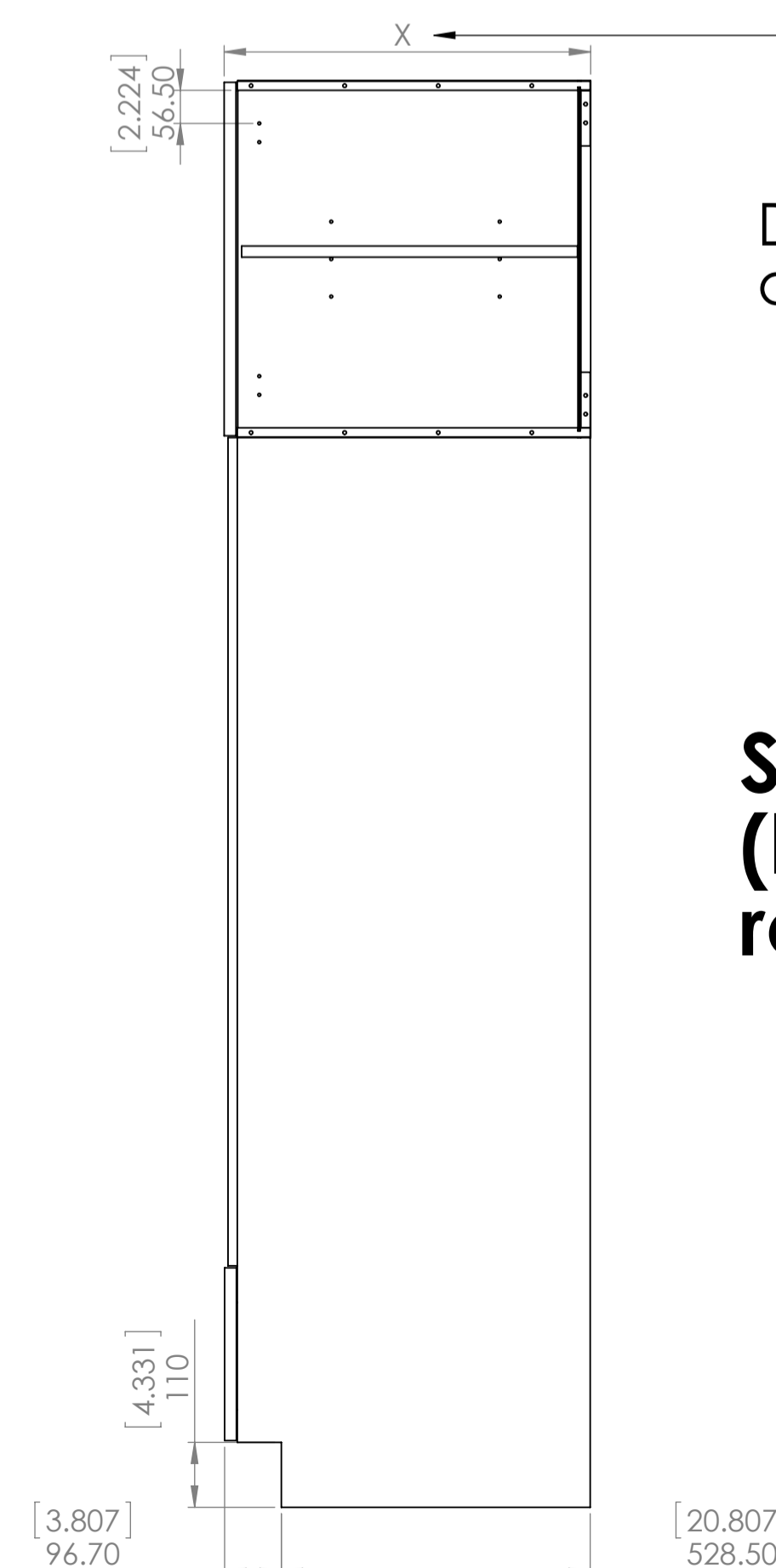
Back View



Isometric View




Front View
(front door removed)



Side View
(left panel removed)

Depth "X" depends on door profile

NAME	DATE	MATERIAL:	
DRAWN Juan G Garza	3/1/18		
CHK'D			
APPV'D			
MFG		WEIGHT:	Double Oven Cabinet 33x96 A1 SCALE:1:10 SHEET 1 OF 1
PROPRIETARY AND CONFIDENTIAL THE INFORMATION CONTAINED IN THIS DRAWING IS THE SOLE PROPERTY OF WOODCRAFTERS. ANY REPRODUCTION IN PART OR AS A WHOLE WITHOUT THE WRITTEN PERMISSION OF WOODCRAFTERS IS PROHIBITED.		UNLESS OTHERWISE SPECIFIED DIMENSIONS ARE IN MM. AND [INCHES] TOLERANCES ARE +/- 1[0.039] SCALE:1:5	