

OPERATING INSTRUCTIONS AND OWNERS MANUAL

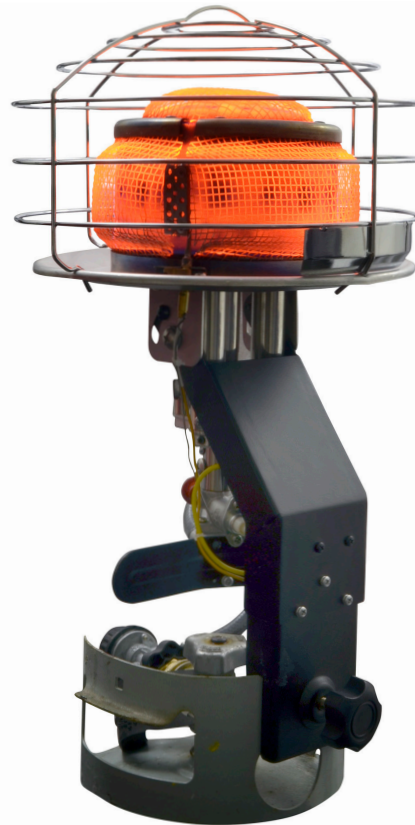


GAS FIRED INFRA-RED TANK TOP HEATER

Model #

MH540T

READ INSTRUCTIONS CAREFULLY: Read and follow all instructions. Place instructions in a safe place for future reference. Do not allow anyone who has not read these instructions to assemble, light, adjust or operate the heater.



CYLINDER NOT INCLUDED

LANGUAGES INCLUDED:

- ENGLISH
- FRENCH

WARNING: If the information in this manual is not followed exactly, a fire or explosion may result causing property damage, personal injury or loss of life.

- Do not store or use gasoline or other flammable vapors and liquids in the vicinity of this or any other appliance.
- An LP cylinder not connected for use shall not be stored in the vicinity of this or any other appliance.
- WHAT TO DO IF YOU SMELL GAS
 - Do not try to light appliance.
 - Extinguish any open flame.
 - Shut off gas to appliance.
- DO NOT LEAVE HEATER UNATTENDED OR IN OPERATION WHILE SLEEPING

This is an unvented gas-fired portable heater. It uses air (oxygen) from the area in which it is used. Adequate combustion and ventilation air must be provided.

GENERAL HAZARD WARNING:

⚠️ PLEASE READ THESE INSTRUCTIONS BEFORE YOU OPERATE THIS HEATER.

⚠️ FAILURE TO COMPLY WITH THE PRECAUTIONS AND INSTRUCTIONS PROVIDED WITH THIS HEATER, CAN RESULT IN DEATH, SERIOUS BODILY INJURY AND PROPERTY LOSS OR DAMAGE FROM HAZARDS OF FIRE, EXPLOSION, BURN, ASPHYXIATION, CARBON MONOXIDE POISONING, AND/OR ELECTRICAL SHOCK.

ONLY PERSONS WHO CAN UNDERSTAND AND FOLLOW THE INSTRUCTIONS SHOULD USE OR SERVICE THIS HEATER.

IF YOU NEED ASSISTANCE OR HEATER INFORMATION SUCH AS AN INSTRUCTIONS MANUAL, LABELS, ETC. CONTACT THE MANUFACTURER.

WARNING:

⚠️ CARBON MONOXIDE CAN KILL YOU. USING A PORTABLE GAS CAMPING HEATER INSIDE A TENT, RV, CAMPER, VEHICLE, SHELTER OR OTHER ENCLOSED AREAS CAN PRODUCE DEADLY CARBON MONOXIDE.

WARNING:

⚠️ NOT FOR HOME OR RECREATIONAL VEHICLE USE

WARNING:

⚠️ FIRE, BURN, INHALATION, AND EXPLOSION HAZARD. KEEP SOLID COMBUSTIBLES, SUCH AS BUILDING MATERIALS, PAPER OR CARDBOARD, A SAFE DISTANCE AWAY FROM THE HEATER AS RECOMMENDED BY THE INSTRUCTIONS. NEVER USE THE HEATER IN SPACES WHICH DO OR MAY CONTAIN VOLATILE OR AIRBORNE COMBUSTIBLES, OR PRODUCTS SUCH AS GASOLINE, SOLVENTS, PAINT THINNER, DUST PARTICLES OR UNKNOWN CHEMICALS.

WARNING:

⚠️ THE STATE OF CALIFORNIA REQUIRES THE FOLLOWING WARNING:
COMBUSTION BY-PRODUCTS PRODUCED WHEN USING THIS PRODUCT CONTAIN CARBON MONOXIDE, A CHEMICAL KNOWN TO THE STATE OF CALIFORNIA TO CAUSE CANCER AND BIRTH DEFECTS (OR OTHER REPRODUCTIVE HARM).

THIS PRODUCT CONTAINS CHEMICALS KNOWN TO THE STATE OF CALIFORNIA TO CAUSE CANCER AND BIRTH DEFECTS OR OTHER REPRODUCTIVE HARM.

CONTENTS

WARNINGS.....2
SPECIFICATIONS2
ASSEMBLY AND HOOKUP INFORMATION3
VENTILATION.....3
MINIMUM CLEARANCE FROM COMBUSTIBLE MATERIALS4
ODOR FADE WARNING.....4
SAFETY PRECAUTIONS.....5
LIGHTING INSTRUCTIONS.....6
SHUTDOWN AND STORAGE INSTRUCTIONS6
PARTS LIST.....7
WARRANTY8
INSTRUCTIONS FOR ORDERING PARTS.....8

SPECIFICATIONS

- A. The MH540T is a high pressure propane appliance and is designed to be connected to a bulk propane tank.
- B. This heater is for temporary heating of buildings under construction, alterations, or repair.
- C. This heater is equipped with an automatic Safety Shutoff Valve. The gas flow will automatically stop if the heater fails to operate for any reason.
- D. Maximum safety and convenience have been built into the Hi-Med-Lo-Off Control Valve/Regulator. The following table lists the approximate BTU's consumed and the operating hours you can reasonably expect from bulk propane cylinders.

SETTINGS	BTU OUTPUT	OPERATING TIME
LOW	30,000	14 HOURS
MEDIUM	36,000	12 HOURS
HIGH	45,000	9.5 HOURS

****OPERATING TIME USING 20LB LP TANK CYLINDER****

MIN Supply Pressure: 20 PSI (138kPa)	Max Supply Pressure: Tank pressure
Manifold Pressure	
MAX.- 17 PSI (117kPa)	MIN. - 9 PSI (62kPa)

- Minimum Ambient Temp = 20°F (-6.7°C)
- Net weight of unit: (5.5lbs /2.5kg)

ASSEMBLY AND HOOK-UP INFORMATION

1. Heater model MH540T is packaged complete. Propane cylinders (tanks) are not included with heater model.
2. Remove heater from carton.
3. This heater must be used only with a vapor withdrawal LP gas bulk tank equipped with a standard POL valve – do not use this heater on bulk tanks greater than 20 pounds LPG capacity (50 pounds water capacity).
4. Attach Tank collar(Figure 1.)
 - The tank collar bracket must be assembled before the heater can be attached to the propane tank.
 - Align screw holes on tank collar bracket with the screw holes in center plate such that the heater is facing upward once attached to cylinder collar.
 - Screw the tank collar pieces together using the (3) packaged screws.
 - Make sure the tank collar bracket is firmly secure to heater then slide the bracket to the propane tank collar. Once in place secure the heater to the propane tank collar by turning knob clockwise until it is firmly hand tighten.
5. Make sure heater regulator is in the “OFF” position. Insert hose connector into tank’s valve and turn knob (counter clock-wise) firmly hand tighten. Do not overtighten. (Figure 2)
6. Operate only on a stable, level surface.
7. Open propane tank valve slowly.
8. Check all fittings for leaks. Apply a 50/50 mixture of liquid soap and water to all joints. Bubbles forming indicate a leaking connection. Correct all leaks before proceeding.

WARNING

- ⚠ Never touch heater while in operation to avoid injury. Move heater by grasping the propane cylinder carefully.



Figure 1

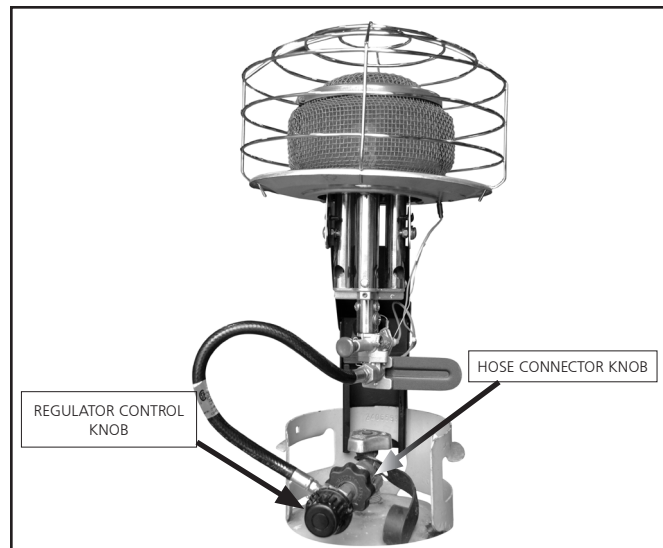


Figure 2

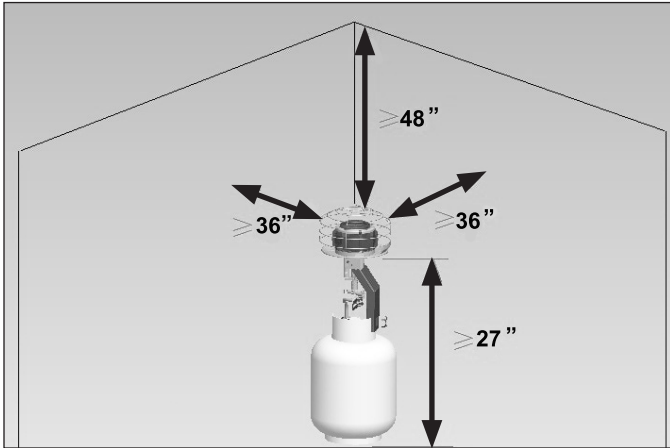
9. The heater should be inspected before each use and at least annually by a qualified service person.
10. The hose assembly shall be visually inspected prior to use of heater. If it is evident there is excessive abrasion wear, or the hose is sliced, it must be replaced prior to the heater being put into operation. Replacement hose assembly shall be Mr. Heater hose assembly as listed in the parts list.

VENTILATION

- A. WARNING: This heater is an unvented appliance and MUST be used ONLY in a well ventilated area. NEVER attempt to operate the heater inside any vehicle, camper or enclosure.**
- B. FOR NON-RESIDENTIAL INDOOR AND OUTDOOR USE.** Any combustion process requires and consumes oxygen, and will produce carbon monoxide. **THIS HEATER MUST BE USED WITH ADEQUATE VENTILATION.** Do not use inside a house, camper, tent or any type of unvented or a tightly enclosed area.
- C. WARNING: Provide ample ventilation.** This heater consumes air (oxygen). To avoid endangering your life DO NOT use this heater in unventilated structures. Provide additional ventilation for any additional fuel-burning appliances and additional occupants.
- D. Flow of combustion and ventilation air must not be obstructed.**

MINIMUM CLEARANCE FROM COMBUSTIBLE MATERIALS

- A. When operating, the heater surfaces are extremely hot. Keep sleeping bags, clothing, and all combustible materials clear of the heater by at least the distances shown in figure 3.
- B. **WARNING:** To avoid injury or property damage never allow clothing, tents or other combustible materials within 36" of the face of the heater. This heater must be located at least 27" above the floor level when in use. Never operate the heater when sleeping.
- C. **WARNING:** Never direct the heat output of this heater toward any propane tank within 20 feet.



CLEARANCE TO COMBUSTIBLES						
BTU/HR. Rating		FRONT	SIDES	REAR	TOP	BELOW
Model no.	BTU Input					
MH540T	30,000-36,000-45,000	36"	36"	36"	48"	27"

Figure 3

ODOR FADE WARNING

WARNING



Asphyxiation Hazard

- Do not use this heater for heating human living quarters.
- Do not use in unventilated areas.
- The flow of combustion and ventilation air must not be obstructed.
- Proper ventilation air must be provided to support the combustion air requirements of the heater being used.
- Refer to the specification section of the heater's manual, heater data plate, or contact the factory to determine combustion air ventilation requirements of the heater.
- Lack of proper ventilation air will lead to improper combustion.
- Improper combustion can lead to carbon monoxide poisoning leading to serious injury or death. Symptoms of carbon monoxide poisoning can include headaches, dizziness and difficulty in breathing.

FUEL GAS ODOR

LP gas and natural gas have man-made odorants added specifically for detection of fuel gas leaks.

If a gas leak occurs you should be able to smell the fuel gas. Since Propane (LP) is heavier than air you should smell for the gas odor low to the floor. ANY GAS ODOR IS YOUR SIGNAL TO GO INTO IMMEDIATE ACTION!

- Do not take any action that could ignite the fuel gas. Do not operate any electrical switches. Do not pull any power supply or extension cords. Do not light matches or any other source of flame. Do not use your telephone.
- Get everyone out of the building and away from the area immediately.
- Close all propane (LP) gas tank or cylinder fuel supply valves, or the main fuel supply valve located at the meter if you use natural gas.
- Propane (LP) gas is heavier than air and may settle in low areas. When you have reason to suspect a propane leak, keep out of all low areas.
- Use your neighbor's phone and call your fuel gas supplier and your fire department. Do not re-enter the building or area.
- Stay out of the building and away from the area until declared safe by the firefighters and your fuel gas supplier.
- FINALLY, let the fuel gas service person and the firefighters check for escaped gas. Have them air out the building and area before you return. Properly trained service people must repair any leaks, check for further leakages, and then relight the appliance for you.

ODOR FADING - NO ODOR DETECTED

- Some people cannot smell well in which case they may not be able to smell the odor of the man-made chemical added to propane (LP) or natural gas. You must determine if you can smell the odorant in these fuel gases.
- Learn to recognize the odor of propane (LP) gas and natural gas. Local propane (LP) gas dealers will be more than happy to give you a scratch and sniff pamphlet. Use it to become familiar with the fuel gas odor.
- Smoking can decrease your ability to smell. Being around an odor for a period of time can affect your sensitivity to that particular odor. Odors present in animal confinement buildings can mask fuel gas odor.
- **The odorant in propane (LP) gas and natural gas is colorless and the intensity of its odor can fade under some circumstances.**
- If there is an underground leak, the movement of gas through the soil can filter the odorant.
- Propane (LP) gas odor may differ in intensity at different levels. Since Propane (LP) gas is heavier than air, there may be more odor at lower levels.
- **Always be sensitive to the slightest gas odor.** If you continue to detect any gas odor, no matter how small, treat it as a serious leak. Immediately go into action as discussed previously.

SAFETY PRECAUTIONS

- Propane (LP) gas has a distinctive odor. Learn to recognize these odors. (Reference Fuel Gas Odor and Odor Fading sections above).
- Even if you are not properly trained in the service and repair of the heater, ALWAYS be consciously aware of the odors of propane (LP) gas and natural gas.
- If you have not been properly trained in repair and service of propane (LP) gas then do not attempt to light heater, perform service or repairs, or make any adjustments to the heater on the propane (LP) gas fuel system.
- A periodic sniff test around the heater or at the heater's joints; i.e. hose, connections, etc., is a good safety practice. If you smell even a small amount of gas, CONTACT YOUR FUEL GAS SUPPLIER IMMEDIATELY. DO NOT WAIT!

FOR SAFE OPERATION

- A. READ INSTRUCTIONS CAREFULLY:** Read and adhere to these instructions. Do not allow anyone who has not read the instructions to assemble, light, adjust or operate the heater.

WARNING

⚠ KEEP THE HEATER OUT OF THE REACH OF CHILDREN

- B.** Use only in accordance with local codes or, in the absence of local codes, with the standard for the Storage and handling of Liquefied Petroleum Gases.
- C. PROPANE IS VERY FLAMMABLE:** In the event of a leak, propane will accumulate and the possibility of a fire is present. Propane gas is scented and its strong odor is readily detectable. Never strike a match or bring any flame or create an electric spark in an enclosure when you smell propane gas. Ventilate the area thoroughly, move the heater outside, find and correct the source of the leak before attempting to light any appliance. If you are unsure of these instructions evacuate immediately and call for help.
- D. GAS LEAKAGE:** If the leak cannot be corrected do not tamper with the heater, follow the shut down instructions and return the heater to the dealer or address given on last page.

WARNING

⚠ DO NOT USE THIS HEATER ON BULK TANKS OF GREATER CAPACITY THAN 20 POUNDS LPG (50 POUNDS WATER CAPACITY).

- E. LEAK DETECTION:** Before each use of the heater check all fittings and connections with a soapy water solution to be sure there are no leaks. NEVER USE ANY FLAME FOR LEAK TEST.
- F. CONNECTING HEATER TO PROPANE CYLINDER:** Always connect the heater to the bulk cylinder in the outdoors or in a well ventilated area. NEVER connect this heater to a cylinder near an open flame.
- G. USE OF HEATER:** Always operate the heater with the propane cylinder in an upright position on a level noncombustible surface. NEVER place the cylinder on its side when operating the heater.
- H. ATTEND HEATER:** Do not leave heater unattended while it is in operation.

- I. ALWAYS LIGHT HEATER WITH LONG MATCH or LONG NECK LIGHTER : NEVER** attempt to light the heater with a flint igniter.
- J. DO NOT TAMPER:** Should the heater not perform properly, such as little or no heat when operating in the "Hi" position, or for any other reason, DO NOT ATTEMPT TO REPAIR OR TAMPER with the heater. Any tampering could make the use of the heater unsafe and dangerous. Return the heater to the dealer or the address given on last page for repair or replacement.
- K.** For optimal performance position the heater so the thermocouple is opposite of the prevailing wind direction. Figure 4
- L. DO NOT TRANSPORT OR MOVE APPLIANCE WHILE IN OPERATION. FOLLOW SHUTDOWN AND STORAGE INSTRUCTIONS TO TRANSPORT OR MOVE THIS APPLIANCE.**



Figure 4

LIGHTING INSTRUCTIONS

- A. Inspect heater before each use, check all fittings and connections with a soapy water solution. **NEVER USE A MATCH TO CHECK FOR LEAKS.** Should a gas leak occur, do not attempt to repair or use heater. Return the heater to your dealer or the address given on back page.
- B. Fuel – This heater must be used only with a vapor withdrawal LP gas bulk cylinder. THE BULK TANK MUST BE EQUIPPED WITH A STANDARD POL VALVE.

WARNING

! USE PROPANE GAS ONLY AND CYLINDERS MARKED IN ACCORDANCE WITH THE SPECIFICATIONS OF THE U.S. DEPARTMENT OF TRANSPORTATION (DOT SPEC.39). DO NOT USE ANY OTHER TYPE OF FUEL. SEE YOUR PROPANE DEALER IF YOU HAVE ANY QUESTIONS REGARDING FUEL.

- C. Turn the heater's "Hi-Med-Lo-Off" regulator knob to "HI" (clockwise).
 - D. To light the MH540T, depress and hold the Safety Shutoff Valve. While holding the Safety Shutoff Valve button immediately light heater through the hole on the base of the reflector. Figure 5
- CAUTION:** Immediately light heater after depressing in valve to avoid excessive build up of propane gas.
- E. After the heater is lit, continue to hold the Safety Shutoff Valve for 60 seconds, then release the button.
 - F. If burner does not light within 10 seconds, turn the heater's regulator knob to "off" (counter clockwise) and allow at least five minutes for gas to dissipate before attempting to relight.
 - G. Adjust heat output by turning regulator knob to desired position. (LOW, MEDIUM, HI)
 - H. Pull on lever to adjust heater to the desired tilted angle operating position. Figure 6
 - I. **DO NOT USE THIS HEATER FOR COOKING.**

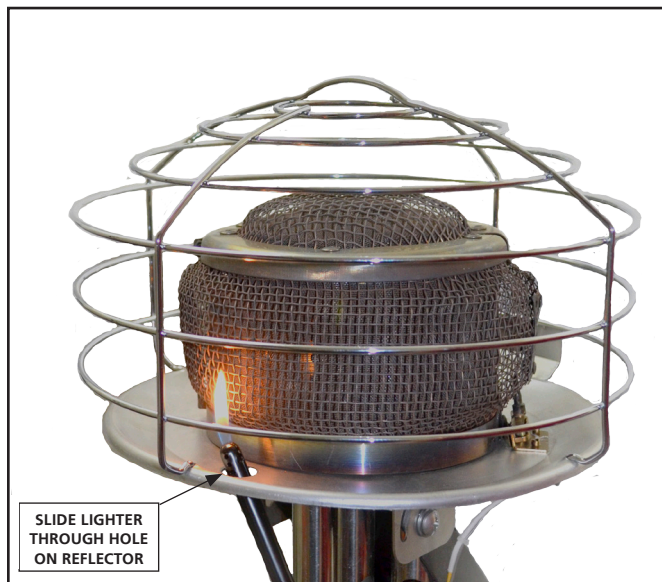


Figure 5

SHUTDOWN AND STORAGE INSTRUCTIONS

- A. When shutting OFF the heater, make sure heater is in the upright position and not at any angle, then turn the regulator knob on the heater to the OFF position (turning counter clockwise).
- B. **CAUTION:** After turning the unit OFF, the heater will remain extremely hot. Allow at least 15 minutes for cooling before handling and storing.
- C. Detach heater from bulk tank before handling and storage. REMEMBER-POL on hose fitting is a left-hand thread.
- D. **HEATER STORAGE:** Indoor storage of the heater is permissible only if the cylinder is disconnected and removed from the heater. Cylinders **must** be stored outdoors out of the reach of children and must not be stored in a building, garage, or another enclosed area. Store cylinders only in accordance with the "Standard for Storage and Handling of Liquefied Petroleum Gases ANSI/NFPA 58 and CSA B149.1, Natural Gas and Petroleum Installation Code. Installation Code."
- E. **MAINTENANCE:** Keep any obstruction from within venturi tubes by blowing compressed air (80 psi max). Direct the compressed air through the venturi tube toward the burner plenum so that dust collected on the grid screen will be blown outward. Keep face away from the grid screen.

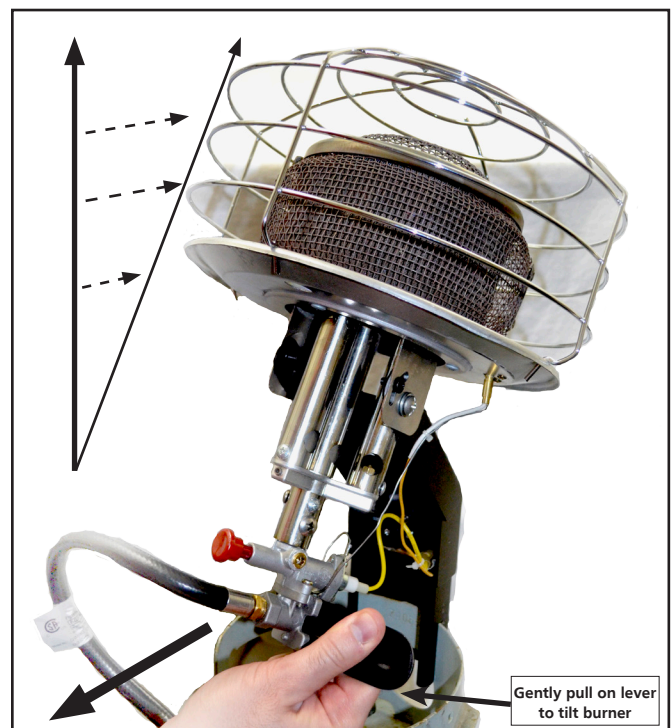
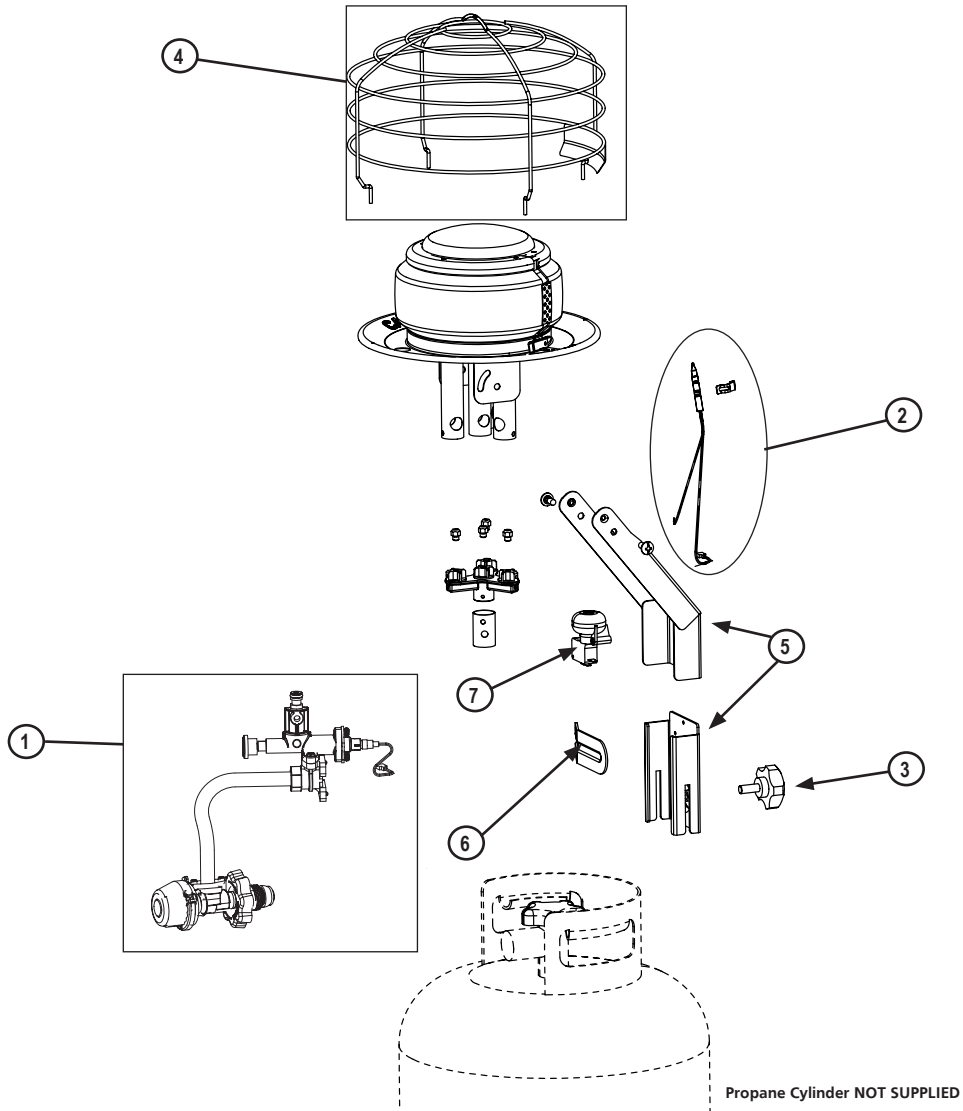


Figure 6

Mr. Heater • Gas-Fired Tank Top Portable Heater • Model #MH540T



PARTS LIST

Item #	Description	MH540T	
		Number	Qty
1	Regulator, Valve, Hose Assembly	17356	1
2	Thermocouple w/ Ground Lead	17355	1
3	Knob	17357	1
4	Dome Wire Guard	17358	1
5	Tank Mounting Bracket	17359	1
6	Tilting Lever	17360	1
7	Tip Switch	42116	1

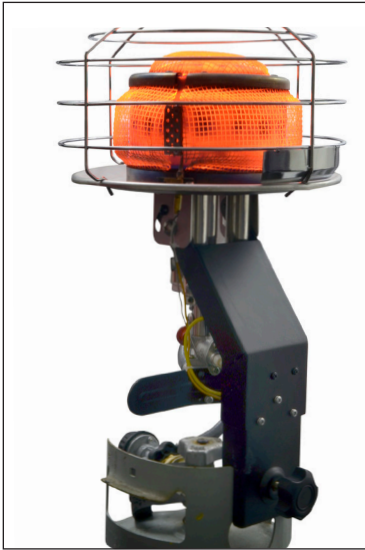


OPERATING INSTRUCTIONS AND OWNER'S MANUAL

Model #

MH540T

Gas-fired Infra-Red Tank Top Heater CYLINDER NOT INCLUDED



WARNING:

USE ONLY MANUFACTURER'S REPLACEMENT PARTS. USE OF ANY OTHER PARTS COULD CAUSE INJURY OR DEATH. REPLACEMENT PARTS ARE ONLY AVAILABLE DIRECT FROM THE FACTORY AND MUST BE INSTALLED BY A QUALIFIED SERVICE AGENCY.

PARTS ORDERING INFORMATION:

PURCHASING:

Accessories may be purchased at any Mr. Heater Products local dealer or direct from the factory

FOR INFORMATION REGARDING SERVICE:

www.mrheater.com

Please call Toll-Free 800-251-0001

Our office hours are 8:00 AM – 5:00 PM, EST, Monday through Friday.

Please include the model number, date of purchase, and description of problem in all communication.

LIMITED WARRANTY

Mr. Heater, Inc. warrants its heaters and accessories to be free from defects in material and workmanship for a period of 1 year from date of purchase. Mr. Heater, Inc. will repair or replace this product free of charge if it has been proven to be defective within the 1-year period, and is returned at customer expense with proof of purchase to Mr. Heater, Inc. within the warranty period.

Mr. Heater, Inc. reserves the right to make changes at any time, without notice or obligation, in colors, specifications, accessories, materials and models.

PRODUCT REGISTRATION: Thank you for your purchase.
Please log in to <http://www.egiregistration.com> to register your product.

Mr. Heater, Inc., 4560 W. 160TH ST., CLEVELAND, OHIO 44135 • 800-251-0001
Mr. Heater are registered trademarks of Mr. Heater, Inc.
© 2017, Mr. Heater, Inc. All rights reserved



ANSI Z83.7 - 2011 / CSA 2.14-2011

MODE D'EMPLOI ET MANUEL DU PROPRIÉTAIRE

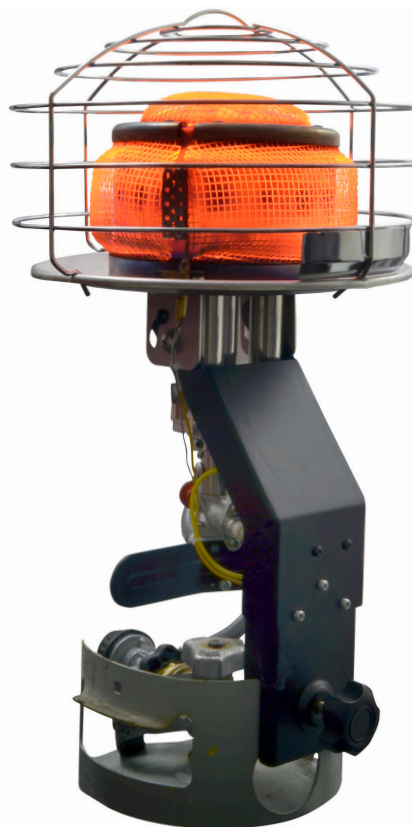


CHAUFFAGE INFRAROUGE À BOUTEILLE DE GAZ

MODÈLE #

MH540T

LISEZ ATTENTIVEMENT LES INSTRUCTIONS: Lisez et suivez toutes les instructions. Rangez les instructions dans un endroit sûr pour des références future. Ne pas laissez quelqu'un qui n'a pas lu ces instructions assembler, allumer, ajuster ou faire fonctionner la chaufferette.



CYLINDRE DE PROPANE NON INCLUS

LANGUES INCLUS:

- ANGLAIS
- FRANÇAIS

AVERTISSEMENT: Si les informations dans ce manuel ne sont pas suivies à la lettre, un incendie ou une explosion peuvent être causés, entraînant des dommages matériels, des blessures ou des pertes de vie.

- Ne pas entreposer ou utiliser d'essence ou d'autres vapeurs et liquides inflammables à proximité de cet ou tout autre appareil.
- Une bouteille de propane non branchée ne doit pas être entreposée à proximité de cet appareil ou de tout autre appareil.
- QUE FAIRE EN CAS D'ODEUR DE GAZ:
 - Ne pas allumer l'appareil.
 - Éteindre toute flamme
 - Coupez l'alimentation en gaz de l'appareil.
- NE PAS LAISSER LE RADIATEUR SANS SURVEILLANCE OU L' UTILISER PENDANT LE SOMMEIL.

Ceci est un appareil de chauffage portatif au gaz non ventilé. Il fonctionne avec l'air présent dans la zone où il est utilisé. Combustion et l'air de ventilation doivent être fournis.

DANGER AVERTISSEMENT GÉNÉRAL:

⚠ S'IL VOUS PLAÎT LIRE CES INSTRUCTIONS AVANT D'UTILISER CET APPAREIL.

⚠ LE NON RESPECT DES INSTRUCTIONS PEUT ENTRAÎNER LA MORT, DES BLESSURES CORPORELLES GRAVES ET DES DOMMAGES OU DES PERTES MATÉRIELS PAR SUITE DES RISQUES D'INCENDIE, D'EXPLOSION, DE BRÛLURES, D'ASPHYXIE OU D'INTOXICATION OXYCARBONÉE

SEULES LES PERSONNES QUI PEUVENT COMPRENDRE ET SUIVRE LES INSTRUCTIONS DOIVENT UTILISER CE CHAUFFAGE.

SI VOUS AVEZ BÉSOIN D'AIDE OU D'INFORMATION TELS QUE LE GUIDE DES INSTRUCTIONS, ÉTIQUETTES, ETC., CONTACTEZ LE FABRICANT..

AVERTISSEMENT:

⚠ L'UTILISATION DE CET APPAREIL À L'INTÉRIEUR D'UNE TENTE, UN VÉHICULE, UN ABRI OU TOUTES AUTRES ZONES FERMÉES PEUT PRODUIRE DU MONOXYDE DE CARBONE MORTEL.

AVERTISSEMENT:

⚠ PAS POUR LA MAISON OU POUR DES VÉHICULES DE LOISIR.

AVERTISSEMENT:

⚠ INCENDIE, BRÛLURE, INHALATION ET RISQUE D'EXPLOSION. GARDER LES OBJETS COMBUSTIBLES TELS QUE LES MATÉRIAUX DE CONSTRUCTION, PAPIER OU CARTON LOIN DE L'APPAREIL COMME LE RECOMMANDE LES INSTRUCTIONS. NE JAMAIS UTILISER LE CHAUFFAGE DANS LES ESPACES QUI CONTIENNENT OU PEUVENT CONTENIR DES OBJETS COMBUSTIBLES OU DES PRODUITS COMME L'ESSENCE; LES SOLVANTS; LES DISSOLVANTS, DES PARTICULES DE POUSSIÈRE OU DES PRODUITS CHIMIQUES INDÉTERMINÉS.

AVERTISSEMENT:

⚠ L'ÉTAT DE CALIFORNIE EXIGE LES AVERTISSEMENTS SUIVANTS :
L'UTILISATION DE CE PRODUIT QUI GÉNÈRE UNE COMBUSTION VOUS EXPOSE AU MONOXYDE DE CARBONE, RECONNU PAR L'ÉTAT DE CALIFORNIE POUR CAUSE POSSIBLE DE CANCER, DE MALFORMATIONS CONGÉNITALES OU D'AUTRES PROBLÈMES LIÉS À LA REPRODUCTION.
CE PRODUIT CONTIENT DES ÉLÉMENTS CHIMIQUES POUVANT CAUSER LE CANCER ET DES MALFORMATIONS CONGÉNITALES OU D'AUTRES TROUBLES.

CONTENTS

AVERTISSEMENTS	2
CARACTÉRISTIQUES.....	2
MONTAGE ET RACCORDEMENT D'INFORMATION	3
VENTILATION.....	3
LA DISTANCE MINIMALE ENTRE MATÉRIAUX COMBUSTIBLES.....	4
AVERTISSEMENT D' ODEUR	4
PRÉCAUTIONS DE SÉCURITÉ	5
INSTRUCTIONS D'ALLUMAGE	6
ARRÊT ET STOCKAGE INSTRUCTIONS	6
LISTE DES PIÈCES.....	7
GARANTIE	8
INSTRUCTIONS POUR COMMANDE DE PIÈCES	8

CARACTÉRISTIQUES

- A. Le MH540T est un appareil de propane à haute pression et conçu pour être branchés sur une cuve de propane.
- B. Ce radiateur est pour le chauffage temporaire de bâtiments en cours de construction, les modifications ou la réparation.
- C. Cet appareil est équipé d'un robinet d'arrêt de sécurité automatique. Le flux de gaz arrêtera automatiquement si le chauffage ne fonctionne pas pour une raison quelconque.
- D. un maximum de sécurité et de commodité ont été construits dans un système contrôlant la valve au débit suivant: Faible-Moyen-Élevé. Le tableau suivant liste la consommation de BTU par heure de la bouteille de propane.

PARAMÈTRES	BTU SORTIE	TEMPS DE FONCTIONNEMENT
FAIBLE	30,000	14 HEURES
MOYEN	36,000	12 HEURES
HIGH	45,000	9.5 HEURES

TEMPS exploitation à l'aide 20LB LP TANK CYLINDRE

PRESSION MINIMALE D'ALIMENTATION: 20 PSI (138kPa)	PRESSION MAXIMALE D'ALIMENTATION: La pression du réservoir
PRESSION D'ADMISSION	
MAX.- 17 PSI (117kPa)	MIN. - 9 PSI (62kPa)

- Temp ambiante minimale = 20°F (-6.7°C)
- Poids net de l'unité: (5.5lbs /2.5kg)

INFORMATION D'ASSEMBLAGE ET DE RACCORDEMENT

1. Le chauffage de modél MH540T est un ensemble complet. le cylindre de propane n'est pas inclus.
2. Rétirer le chauffage du carton.
3. Cet appareil doit être utilisé uniquement avec une bouteille de gaz de propane LP destiné à être soutiré pour l'utilisation à l'état gazeux et équipé d'une valve standard POL. Ne pas utiliser ce chauffage sur une cuve de propane de 20 livres de GPL (50 livres d'eau).
4. Fixez col du réservoir (Figure 1.)
 - Le support du réservoir doit être monté avant que le chauffage puisse être attaché au réservoir de propane.
 - Alignez les trous de vis sur le réservoir support de collier avec les trous de vis dans la plaque centrale de telle sorte que le chauffage est orientée vers le haut une fois attaché à cylindre collier.
 - Visser ensemble les pièces du réservoir en utilisant les 3 vis emballés.
 - Assurez- vous que le support du reservoir est surement sécurisé au chauffage puis glisser le support dans le col de la bouteille de propane. Une fois en place, fixer le chauffage sur le col de la bouteille de propane en tournant le bouton dans le sens horaire jusqu'à le serrer.
5. Assurez-vous que le régulateur du chauffage est en mode "OFF". Insérez le tuyau dans la valve du réservoir et tourner le bouton dans le sens contraire de la montre tout en serrant. Ne pas trop serrer. (Figure 2)
6. Fonctionner uniquement sur une surface plane et stable.
7. Ouvrir lentement le réservoir de propane.
8. Vérifiez tous les raccords pour les fuites. Appliquer une solution d'eau savonneuse (50/50) sur tous les joints. La formation de bulles nous avertira de la présence de fuite au niveau des connections. Veillez corriger toutes fuites avant de continuer.

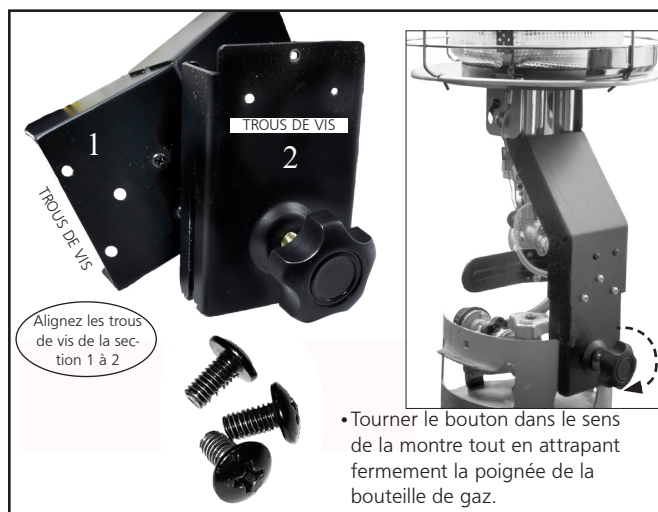


Figure 1

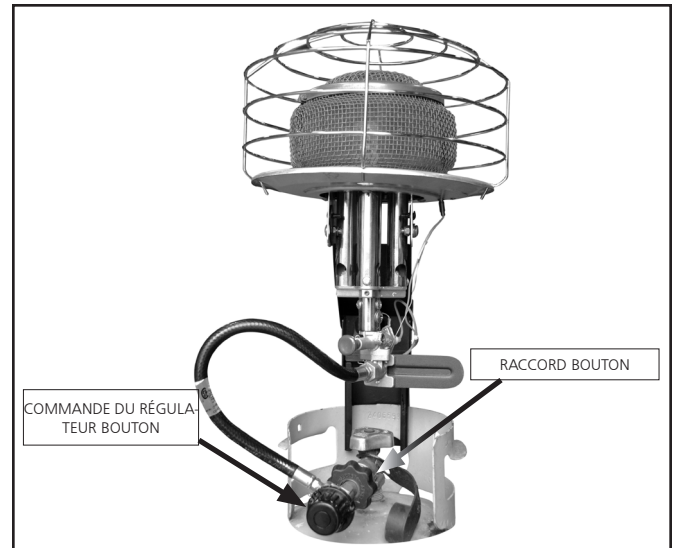


Figure 2

AVERTISSEMENT

⚠ Ne jamais toucher le chauffage pendant son utilisation pour éviter les blessures. Déplacez le chauffage en saisissant attentivement la bouteille de propane

9. Le chauffage doit être inspecté avant toute utilisation au moins annuellement par une personne certifiée.
10. L'ensemble des tuyaux doit être visuellement inspecté avant l'utilisation du chauffage. Si il est évident qu'il y a une usure par abrasion excessive ou que le tuyau est endommagé, il doit être remplacé avant que le chauffage soit remis en marche. Les tuyaux remplacés doivent être de la même marque que ceux de Mr. Heater comme indiqué dans la liste des pièces..

VENTILATION

A. AVERTISSEMENT: Cet appareil est un appareil non ventilé et doit être utilisé que dans un endroit bien ventilé. Ne jamais tenter de faire fonctionner le chauffage à l'intérieur d'un véhicule, une caravane ou une clôture.

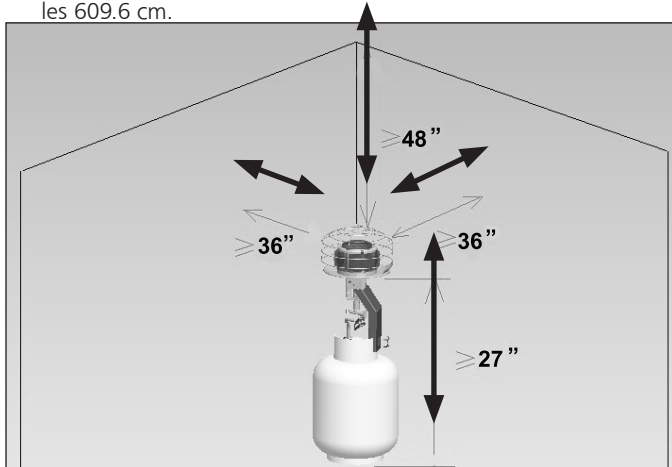
B. UTILISABLE DANS LES ENCEINTES NON-RÉSIDENTIELLES ET À L'EXTÉRIEURE. TOUTE COMBUSTION A BÉSION ET CONSOMME DE L'OXYGÈNE ET PRODUIT DU MONOXYDE DE CARBONE. **CET APPAREIL DOIT ÊTRE FOURNI D'UNE VENTILATION ADÉQUATE.** NE PAS UTILISER L'APPAREIL À L'INTÉRIEUR D'UNE MAISON, UNE CARAVANE, UNE TENTE OU TOUT ENDROIT MAL AÉRÉ.

C. AVERTISSEMENT: Fournir une ventilation suffisante. Cet appareil de chauffage consomme de l'air (oxygène). Pour éviter de mettre en danger votre vie NE PAS utiliser cet appareil dans des structures non ventilées. Fournir une ventilation supplémentaire pour tous les appareils à combustion et des occupants supplémentaires.

D. Le débit de combustion et de la ventilation de l'air ne doit pas être obstrué.

LA DISTANCE MINIMALE ENTRE MATÉRIAUX COMBUSTIBLES

- A.** Pendant l'utilisation, les surfaces du chauffage sont extrêmement chaudes. Gardez les sacs de couchage, les vêtements et tous les matériaux combustibles loin du chauffage d' au moins des distances indiquées dans la figure 3.
- B. AVERTISSEMENT:** Pour éviter des blessures ou des dommages ne laissez jamais des vêtements, des tentes ou d'autres matériaux combustibles dans les 91.44 cm de la face de l'appareil. Cet appareil doit être situé à au moins 71.12 cm au-dessus du niveau du sol lors de l'utilisation. Ne jamais faire fonctionner l'appareil et s'endormir.
- C. AVERTISSEMENT:** Ne jamais diriger la sortie de chaleur de cet appareil de chauffage vers un réservoir de propane dans les 609.6 cm.



LIQUIDATION DE COMBUSTIBLES						
BTU/HR. Rating		AVANT	CÔTÉS	ARRIÈRE	HAUT	EN BAS
Modèle	BTU d'entrée					
MH540T	30,000-36,000-45,000	36"	36"	36"	48"	27"

Figure 3

ODEUR FADE AVERTISSEMENT

AVERTISSEMENT



Danger D'asphyxie

- Ne pas utiliser cet appareil pour chauffer des pièces d' habitations.
- Ne pas utiliser dans les zones non ventilées.
- Le débit de combustion et de la ventilation de l'air ne doit pas être obstrué.
- Une ventilation adéquate doit être fournie à l'appareil pour supporter la combustion pendant son utilisation.
- Se référer à la section des spécifications de ce manuel, à l'étiquette du chauffage, ou contactez l'usine pour déterminer les besoins de la combustion du chauffage.
- Un maque de ventilation adéquat conduira à une mauvaise combustion.
- Une mauvaise combustion peut conduire à une intoxication au monoxyde de carbone causant des blessures graves ou la mort. Les symptômes de l'intoxication au monoxyde de carbone peuvent inclure des maux de tête, des étourdissements et des difficultés à respirer

ODEUR DE GAZ COMBUSTIBLE

LP et le gaz naturel ont des odorants artificiels ajoutés pour la détection spécifique des fuites de gaz combustible. Si une fuite de gaz se produit, vous devriez être capable de sentir le gaz combustible. Étant donné que le propane est plus lourd que l'air, vous devriez sentir l'odeur de celui qui est faible à l' étage à gaz. **TOUT ODEUR DE GAZ EST UN APPEL À LA PRISE D'ACTION!**

- Ne pas prendre toute action qui pourrait enflammer le gaz combustible. Ne pas faire fonctionner les commutateurs électriques. Ne pas débrancher l'appareil ou les rallonges. Ne pas allumer d'allumettes ou tout autre source de flamme. Ne pas utiliser votre téléphone.
- Évacuer l' immeuble..
- Fermer la bouteille de propane ou la principale valve d'alimentation en carburant situé au compteur si vous utilisez le gaz naturel.
- Le gaz de propane est plus lourd que l'air. il doit donc être installé dans une zone basse. Lorsque vous avez des raisons de soupçonner une fuite, gardez la bouteille hors de toute zone basse.
- Utilisez le téléphone de votre voisin et appelez votre fournisseur de gaz combustible et de votre service d'incendie. Ne pas rentrer dans le bâtiment ou la zone.
- Restez en dehors du bâtiment et loin de la zone jusqu'à ce que déclarée sûre par les pompiers et votre fournisseur de gaz combustible.
- Enfin, laisser la personne du service de gaz et les pompiers vérifier pour les fuites de gaz. Demandez leur d' aérer le bâtiment et la zone avant d' y retourner. Des personnes certifiées devraient réparer les fuites, vérifier pour toutes éventuelle fuites et rallumer l' appareil pour vous.

PAS D'ODEUR DETECTÉE

- Certaines personnes ne peuvent pas bien sentir dans ce cas, ils ne pourraient pas être en mesure de sentir l'odeur du produit chimique ajouté au propane ou au gaz naturel..
- Apprenez à reconnaître l'odeur du propane (LP) et le gaz naturel. Le concessionnaire local du gaz de propane seront plus que ravis de vous donner une brôchure des odeurs.
- Fumer peut diminuer votre capacité de sentir. Être autour des odeurs pendant un certain temps peut affecter votre sensibilité à cette odeur particulière. les odeurs présentes dans les bâtiments contenant des animaux peuvent masquer l'odeur de gaz.
- **L'odorant dans le propane (GPL) et le gaz naturel est incolore et l'intensité de son odeur peut disparaître dans certaines circonstances.**
- Si il ya une fuite souterraine, le mouvement du gaz dans le sol peut filtrer l'odorant.
- L' odeur de gaz de propane peut varier en intensité à des niveaux différents. Étant donné que Le gaz de propane est plus lourd que l'air., il doit être installé dans une zone basse.
- **Toujours être sensible à la moindre odeur de gaz.** Si vous continuez à détecter toute odeur de gaz peu importe leur taille, traitez le comme une sérieuse fuite. Prendre desmesures immédiatement comme indiquées précédemment.

PRÉCAUTIONS DE SÉCURITÉ

- Le gaz de propane a une odeur particulière. Apprenez à le reconnaître. (Référez vous aux sections précédentes).
- Même si vous n'êtes pas correctement formés dans le service et la réparation de l'appareil de chauffage, TOUJOURS être conscient des odeurs de propane (LP) et du gaz nature.
- Si vous n'avez pas reçu une formation adéquate dans la réparation et le service de propane alors ne tentez pas d'allumer le chauffage ou d'effectuer des réparations ou des ajustements sur le système de la bouteille de gaz à propane.
- Si vous n'avez pas reçu une formation adéquate dans la réparation et le service de propane alors ne tentez pas d'allumer le chauffage ou d'effectuer des réparations ou des ajustements sur le système de la bouteille de gaz à propane. Si vous sentez une odeur de même une petite quantité de gaz, CONTACTEZ VOTRE FOURNISSEUR DE GAZ COMBUSTIBLE IMMÉDIATEMENT. N'ATTENDS PAS!

POUR UN FONCTIONNEMENT SÛR

- A. LISEZ ATTENTIVEMENT LES INSTRUCTIONS:** Lire et respecter ces instructions. Ne pas laissez quelqu'un qui n'a pas lu les instructions d'assembler, d'allumer, d'ajuster ou de fonctionner le chauffage.

AVERTISSEMENT

- ⚠ GARDER LE CHAUFFAGE HORS DE LA PORTÉE DES ENFANTS**

- B.** Utiliser uniquement conformément aux codes locaux ou, en l'absence de codes locaux, à la norme pour le stockage et la manipulation des gaz de pétrole liquéfiés.
- C. Le propane est très inflammable:** Dans le cas d'une fuite, le propane sera accumulé et la possibilité d'un incendie est présent. Le gaz de propane a une odeur et celle-ci est facile à détecter. Ne jamais allumer une allumette ou créer une étincelle dans une zone où vous sentez le gaz de propane. Aérer la zone à fond, déplacer l'appareil à l'extérieur, trouver et corriger la source de la fuite avant de tenter d'allumer l'appareil. Si vous n'êtes pas sûr de ces instructions évacuer immédiatement et appeler à l'aide.
- D. FUITE DE GAZ:** Si la fuite ne peut pas être corrigée, ne pas trafiquer l'appareil, suivez les instructions de fermeture et retourner le chauffage au distributeur ou à l'adresse indiquée à la dernière page.

AVERTISSEMENT

- ⚠** Ne pas utiliser cet appareil sur un réservoir de capacité de plus de 20 livres (50 livres de capacité d'eau).

- E. DÉTECTION DE FUITE:** Avant chaque utilisation de l'appareil de chauffage vérifier tous les raccords et les connexions avec une solution d'eau savonneuse pour être sûr qu'il n'y a pas de fuites. NE JAMAIS VÉRIFIER LA PRÉSENCE DE FUITE À L'AIDE D'UNE FLAMME.
- F. CONNEXION DU CHAUFFAGE à la bouteille de propane:** Toujours connecter l'appareil au cylindre à l'extérieur ou dans un endroit bien aéré. Ne jamais faire la connexion à proximité d'une flamme.
- G. UTILISATION DU CHAUFFAGE:** Toujours faire fonctionner le chauffage avec la bouteille de propane dans une position

verticale sur une surface à niveau incombustible. Ne jamais placer le cylindre sur son côté pendant l'utilisation de l'appareil.

- H. Assistance:** Ne pas laisser sans surveillance l'appareil pendant son fonctionnement.
- I. TOUJOURS ALLUMER LE CHAUFFAGE AVEC UNE LONGUE ALLUMETTE:** Ne jamais tenter d'allumer le chauffage avec une brique.
- J. Ne pas trafiquer:** Si le chauffage ne fonctionne pas convenablement, comme un peu ou pas de chaleur lors de l'utilisation dans la position "Hi", ou pour toute autre raison, ne pas tenter de réparer ou de trafiquer l'appareil. Toute falsification pourrait rendre l'utilisation de l'appareil dangereuse. Retourner le chauffage au distributeur ou à l'adresse indiquée à la dernière page pour les réparations ou remplacement.
- K.** Pour performance optimale, positionnez le chauffage de sorte que le thermocouple est opposé à la direction du vent. Figure 4
- L. NE PAS TRANSPORTER OU DÉPLACER APPAREIL PENDANT LE FONCTIONNEMENT. SUIVRE LES INSTRUCTIONS DE FERMETURE ET DE RANGEMENT POUR TRANSPORTER OU DÉPLACER CET APPAREIL.**



Figure 4

INSTRUCTIONS D'ALLUMAGE

- A. Inspecter le chauffage avant chaque utilisation, vérifiez que tous les raccords avec une solution d'eau savonneuse. **NE JAMAIS UTILISER UNE ALLUMETTE POUR VÉRIFIER LES FUITES.** Si une fuite de gaz se produit, ne pas tenter de réparer ou d'utiliser le chauffage. retourner le chauffage au distributeur ou à l'adresse indiquée à la dernière page
- B. Carburant - cet appareil doit être utilisé uniquement avec le gaz propane destiné à être soutiré pour l'utilisation à l'état gazeux. Le réservoir doit être équipée d'une valve standard POL.

AVERTISSEMENT

⚠ UTILISER LE GAZ DE PROPANE UNIQUEMENT ET DES BOUTEILLES MARQUÉES CONFORMÉMENT AUX SPÉCIFICATIONS DU MINISTÈRE DE TRANSPORT DES ÉTAT-UNIS. NE PAS UTILISER AUTRE TYPE DE CARBURANT. VOIR LE CONCESSIONNAIRE DE GAZ SI VOUS AVEZ DES QUESTIONS CONCERNANT LE CARBURANT.

- C. Tournez le bouton "Salut-Med-Lo-Off" régulateur de l'appareil de chauffage à «HI» (dans le sens horaire).
- D. Pour allumer le MH540T, appuyer et maintenez la valve de sécurité. tout en maintenant la valve de sécurité, immédiatement allumer le chauffage à travers le trou sur la base du réflecteur Figure 5
- ATTENTION:** Immédiatement allumer le chauffage après avoir enfoncé la valve pour éviter une accumulation excessive de gaz de propane.
- E. Après que le chauffage soit allumé, continuez à enfoncer la valve pour 60 s, puis relâchez le bouton.
- F. Si le brûleur ne s'allume pas dans les 10 s, tourner le bouton à la position "off" et laissez passer 5 minutes pour que le gaz se dissipe avant de tenter de rallumer. G. ajuster la sortie de chaleur en tournant le bouton du régulateur à la position désirée. (Faible, moyen, élevé)
- H. Tirez sur le levier pour ajuster le chauffage à la position désirée de fonctionnement de l'angle incliné. Figure 6
- I. **NE PAS UTILISER CE CHAUFFAGE POUR LA CUISSON.**

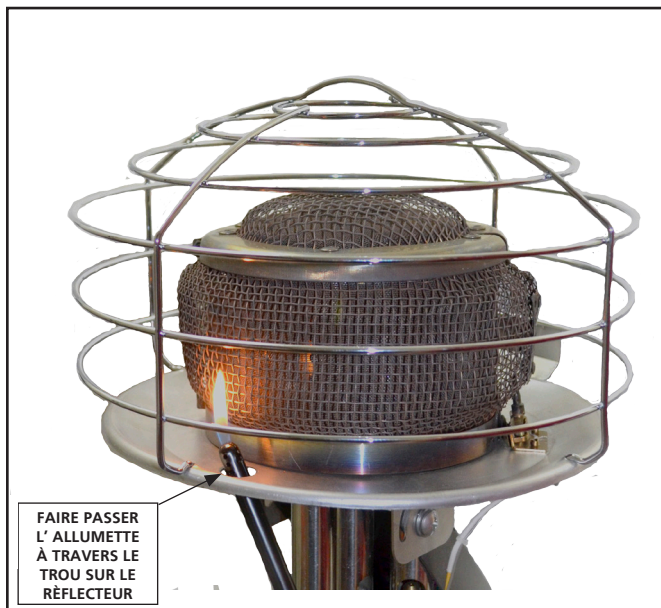


Figure 5

INSTRUCTIONS POUR LA FERMETURE ET LE RANGEMENT

- A. Lors de la fermeture du chauffage, assurez-vous de chauffage est en position verticale et non à un angle, puis tourner le bouton du régulateur sur le chauffage en position OFF (en tournant dans le sens antihoraire).
- B. **ATTENTION:** Après extinction de l'appareil, l'appareil de chauffage restera extrêmement chaud. Prévoyez au moins 15 minutes pour le refroidissement avant de le manipuler et de stocker.
- C. Détacher le chauffage du réservoir avant la manipulation et le rangement. Rappelez vous que POL sur le tuyau is un filetage à gauche..
- D. **RANGEMENT DU CHAUFFAGE:** Le rangement à l' intérieur de l'appareil est admissible seulement si la bouteille est débranchée et retirée du chauffage. Les cylindres doivent être rangés à l' extérieur lors de la portée des enfants et ne doivent pas être rangés dans un bâtiment, un garage ou un espace clos. Ranger des bouteilles conformément à " Standard for storage and handling of Liquefied Petroleum Gases ANSI / NFPA 58 et CSA B149.1, gaz naturel et du pétrole Code d'installation. Code d'installation. "
- E. **ENTRETIEN:** Gardez toute obstruction à de l'intérieur des tubes de venturi par soufflage d'air comprimé (80 psi max). Diriger l'air comprimé à travers le tube venturi vers le plenum du brûleur afin que la poussière recueillie sur l'écran de la grille sera soufflé vers l'extérieur. Gardez le visage loin de l'écran de la grille.

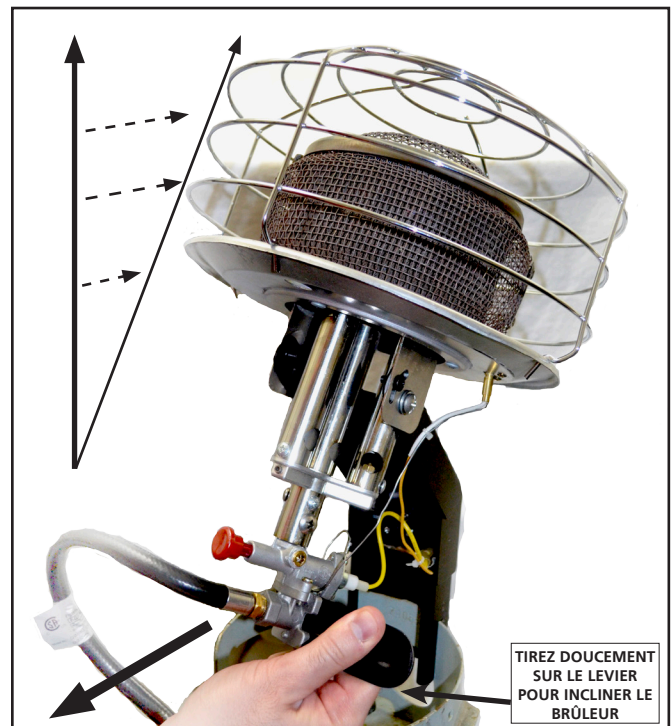
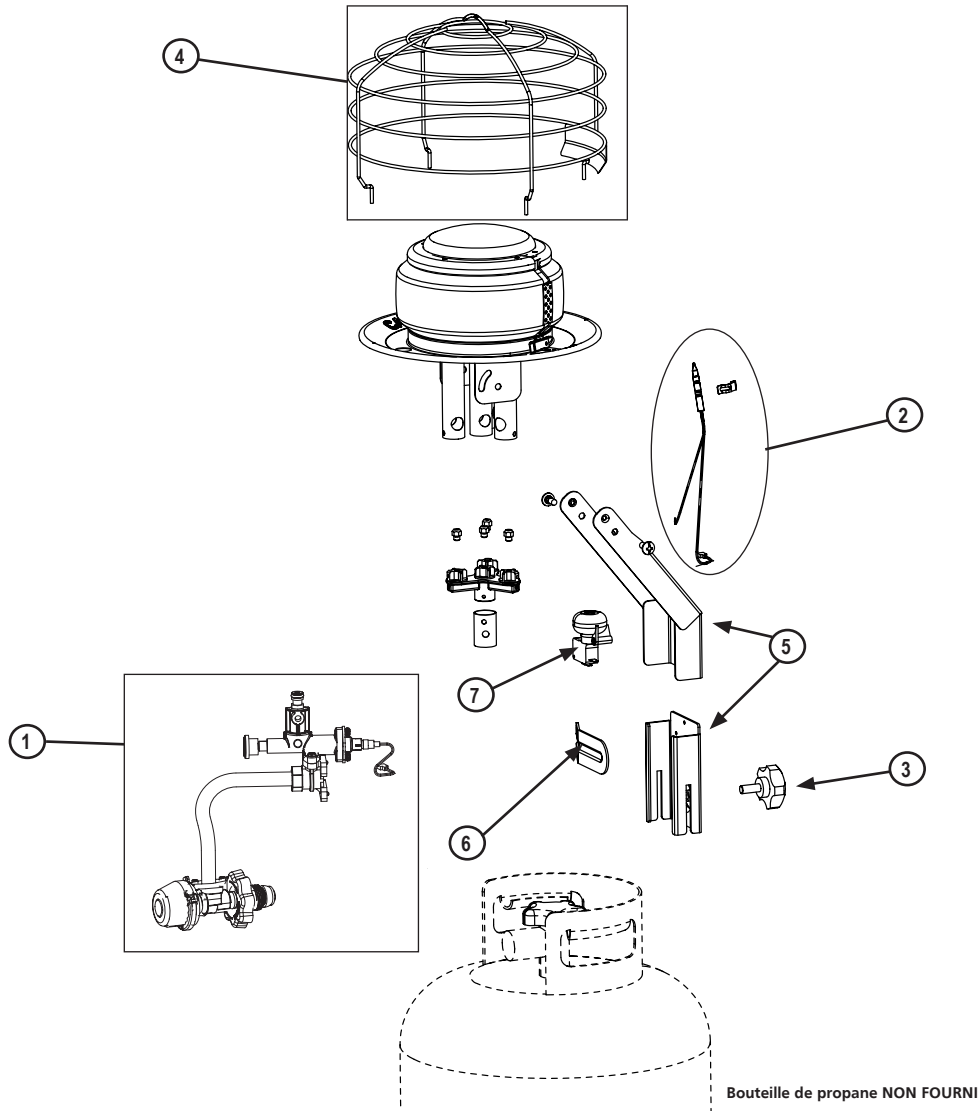


Figure 6

Mr. Heater • Chauffage Infrarouge à Bouteille de Gaz • Modèle #MH540T



LISTE DES PIÈCES

Article #	Description	MH540T	
		Numéro	Quantité
1	Régulateur, Valve, Assemblée Tuyau	17356	1
2	Thermocouple w / Câble	17355	1
3	Bouton	17357	1
4	Dôme Protecteur en Fil Métallique	17358	1
5	Support du Réservoir	17359	1
6	Levier de basculement	17360	1
7	Interrupteur	42116	1



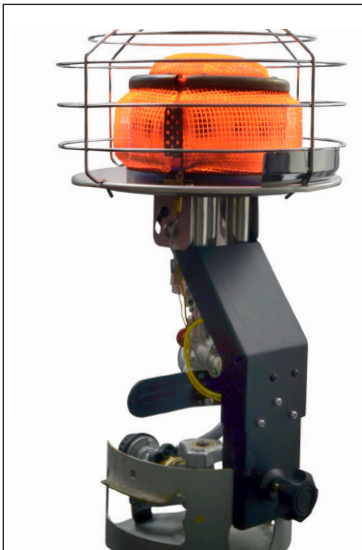
MODE D'EMPLOI ET MANUEL DU PROPRIÉTAIRE

MODÈLE #

MH540T

CHAUFFAGE INFRA-ROUGE À BOUTEILLE DE GAZ

CYLINDRE NON INCLUS



AVERTISSEMENT:

UTILISER UNIQUEMENT LES PIÈCES DE RECHANGE VENANT DU FABRICANT. L'UTILISATION DE TOUT AUTRES PIÈCES POURRAIT CAUSER DES BLESSURES OU LA MORT. LES PIÈCES DE RECHANGE SONT UNIQUEMENT DISPONIBLES DIRECTEMENT DE L'USINE ET DOIVENT ÊTRE INSTALLÉES PAR UNE AGENCE DE SERVICE QUALIFIÉE.

COMMANDE DE PIÈCES DÉTACHÉES:

ACHAT:

Les accessoires peuvent être achetés à tout revendeur local Mr. Heater Produits ou directement de l'usine

POUR UN SERVICE DE RENSEIGNEMENTS CONCERNANT:

www.mrheater.com

S'il vous plaît appelez sans frais 800-251-0001

Nos heures de bureau sont 08:00-17:00, du Lundi au Vendredi.

S'il vous plaît inclure le numéro de modèle, la date d'achat, et la description du problème dans toutes les communications.

GARANTIE LIMITÉE

Mr. Heater, Inc. garantit que ses appareils de chauffage et les accessoires sont exempts de défauts de matériaux et de fabrication pour une période de 1 an à compter de la date d'achat. Mr. Heater, Inc. réparera ou remplacera ce produit gratuitement si il a été prouvé être défectueux pendant la période de 1 an, et est retourné aux frais du client avec preuve d'achat à Mr. Heater, Inc. au sein de la garantie point final.

Mr. Heater, Inc. se réserve le droit d'apporter des modifications à tout moment, sans préavis ni obligation, les couleurs, les caractéristiques, les accessoires, les matériaux et les modèles

ENREGISTREMENT DU PRODUIT: Merci pour votre achat.

S'il vous plaît vous connecter à <http://www.egiregistration.com> pour enregistrer votre produit.

Mr. Heater, Inc., 4560 W. 160TH ST., CLEVELAND, OHIO 44135 • 800-251-0001

Mr. Heater are registered trademarks of Mr. Heater, Inc.

© 2017, Mr. Heater, Inc. All rights reserved



ANSI Z83.7 - 2011 / CSA 2.14-2011