

Casmir - Single Handle Spring Coil Kitchen Faucet



- * Includes Zinc Deck Plate for 1 or 3 Hole Installation
- * 4-9/16" High and 8-3/16" Long Spout, 360° Swing, Spring Coil Spout
- * 6-11/16" High Zinc Handle
- * Copper and Brass Waterway Construction with 1/2" -14 NPSM Connection
- * Matching Two Function (Spray & Stream) Spray Head
- * Premium Grade Ceramic Cartridge (Type E)
- * Flow Rate: 1.8GPM (6.8L/MIN) MAX @ 60PSI
- * 100% Pressure System Tested
- * Lifetime Limited Warranty; 5 year Warranty from Date of Purchase for Commercial Use

Project / Job Name	
Architect / Engineer	
Contractor	
Model	
Quantity	

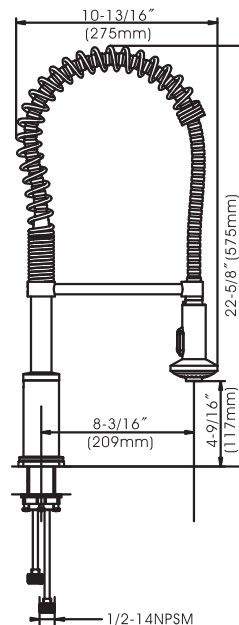
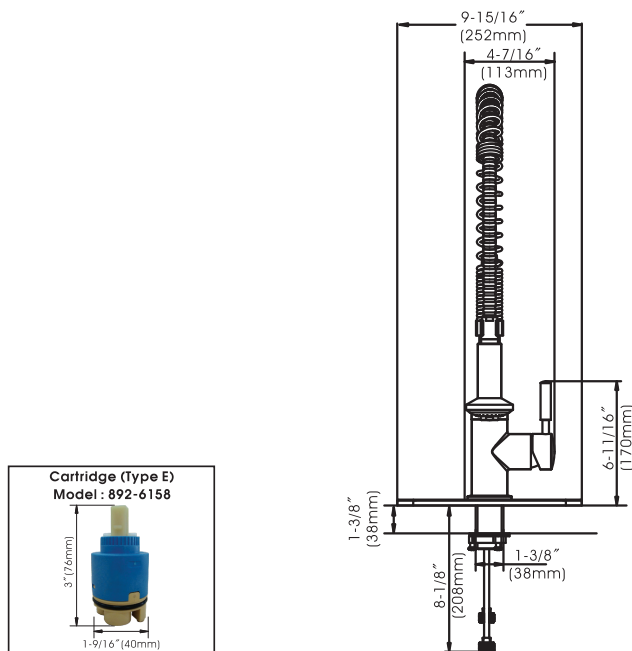
Model No. :

192-6473 (CH)
(Shown Model)

192-6474 (BN Spotless PVD)

192-7172 (MG)

192-7173 (MB)



Product Compliance:

- ASME A112.18.1 / CSA B125.1
- NSF 61 - Section 9
- NSF 372 (Low Lead Content)
- ANSI A117.1 (ADA)

Casmir - Single Handle Spring Coil Pull-Down Kitchen Faucet

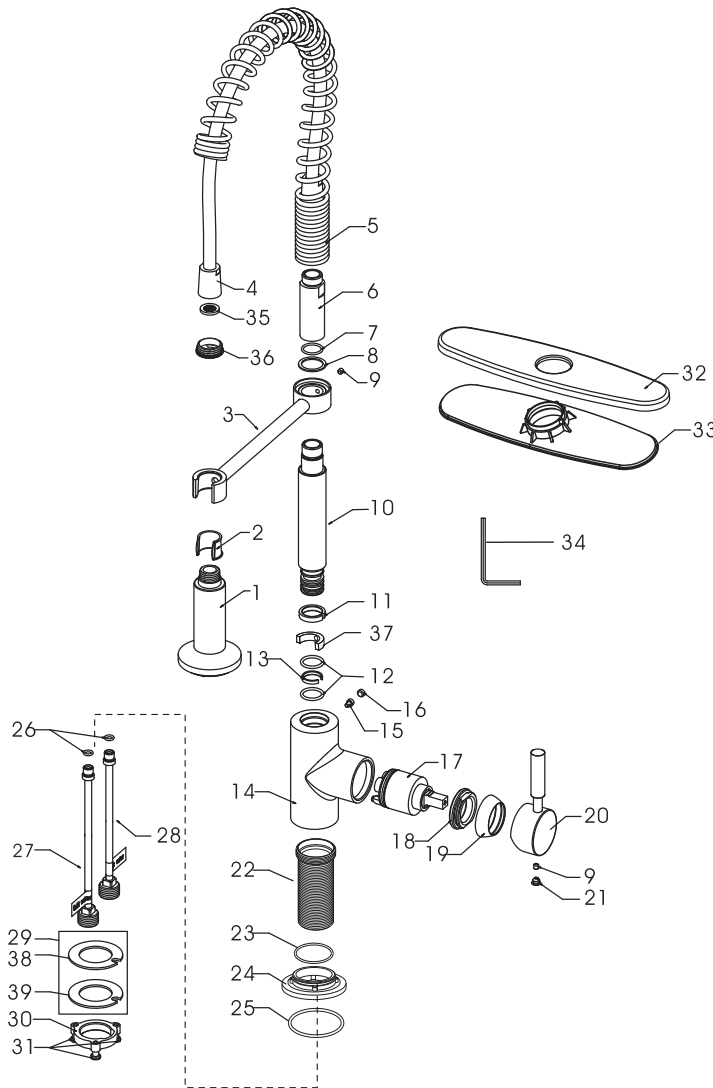
Model No. :

192-6473 (Polished Chrome)

192-6474 (Brushed Nickel **Spotless PVD**)

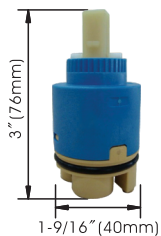
192-7172 (Matte Gold)

192-7173 (Matte Black)



No.	Part Name	Material
1	Spray Head	Plastic
2	Sleeve	Plastic
3	Holder	Brass
4	Hose	Stainless Steel
5	Spring Spout	Stainless Steel
6	Adapter	Brass
7	O-ring	Rubber
8	Wearing Ring	Plastic
9	Set Screw	Stainless Steel
10	Spout	Brass
11	Wearing Ring	Plastic
12	O-rings	Rubber
13	Wearing Ring	Plastic
14	Body	Brass
15	Set Screw	Stainless Steel
16	Index	Rubber
17	Cartridge	Ceramic
18	Cartridge Lock Nut	Brass
19	Trim Cap	Brass
20	Handle	Zinc
21	Index	Plastic
22	Threaded Shank	Stainless Steel
23	O-ring	Rubber
24	Base	Zinc
25	O-ring	Rubber
26	O-rings	Rubber
27	Copper Tube (Hot)	Copper+Brass
28	Copper Tube (Cold)	Copper+Brass
29	Gasket Assembly	Rubber+Stainless Steel
30	Lock Nut	Zinc
31	Screws	Stainless Steel
32	Deck Plate	Zinc
33	Gasket	Plastic
34	Allen Wrench	Steel
35	Washer	Rubber
36	Connector	Plastic
37	Cut Rubber Ring	Plastic
38	Rubber Washer	Rubber
39	Metal Washer	Stainless Steel

Cartridge (Type E)
Model : 892-6158



Technical Support: warranty@cmiproduct.com
Hour of Operation: Mon - Fri 8:30 a.m - 5:00 p.m. EST