

Warranty

This product is warranted to the retail customer for 90 days from date of retail purchase, against defects in material and workmanship.

WHAT IS COVERED

- Replacement parts and labour.
- Transportation charges to customer for the repaired product.

WHAT IS NOT COVERED

- Damage caused by abuse, accident, misuse, or neglect.
- Transportation of the unit or component from the customer to Koolatron.

IMPLIED WARRANTIES

Any implied warranties, including the implied warranty of merchantability are also limited to the duration of 90 days from the date of retail purchase.

WARRANTY

Keep the original, dated, sales receipt with this manual.

WARRANTY AND SERVICE PROCEDURE

If you have a problem with your unit, or require replacement parts, please telephone the following numbers for assistance:

North America 1-800-265-8456

Koolatron has Master Service Centres at these locations:
U.S.A. - 4330 Commerce Dr., Batavia, NY 14020-4102

Canada - 139 Copernicus Blvd., Brantford, ON N3P1N4

A Koolatron Master Service Centre must perform all warranty work.

TOTAL Chef

Microwave Oven



Koolatron

www.koolatron.com

©2019 Koolatron, Inc. All rights reserved.

All specifications are subject to change without notice.

H1S291

7/2019 - v2

TCM07

User Manual

Please Read These Instructions Carefully Before Use!

PRECAUTIONS

TO AVOID POSSIBLE EXPOSURE TO EXCESSIVE MICROWAVE ENERGY

1. Do not attempt to operate this oven with the door open since open-door operation can result in harmful exposure to microwave energy. It is important not to defeat or tamper with the safety interlocks.
2. Do not place any object between the oven front face and the door or allow soil or cleaner residue to accumulate on sealing surfaces.
3. Do not operate the oven if it is damaged. It is very important that the oven door close properly and that there is no damage to the
 - a) Door (including any bents),
 - b) Hinges and latches (broken or loosened),
 - c) Door seals and sealing surfaces.
4. The oven should not be adjusted or repaired by anyone except qualified service personnel.

WARNING! To reduce the risk of burns, electric shock, fire, injury to persons or exposure to excessive microwave energy:

1. Read all instructions before using the appliance.
2. Read and follow the specific "TO AVOID POSSIBLE EXPOSURE TO EXCESSIVE MICROWAVE ENERGY" above.
3. This appliance must be grounded. Connect only to properly grounded outlet. See "GROUNDING INSTRUCTIONS" on page 4.
4. Install or locate this appliance only in accordance with the provided installation instructions.
5. Do not operate the oven when empty.
6. Some products such as whole eggs and sealed containers -for example, closed glass jars- are able to explode and should not be heated in this oven.
7. Use this appliance only for its intended use as described in this manual. Do not use corrosive chemicals or vapors in this appliance. This type of oven is specifically designed to heat, cook, or dry food. It is not designed for industrial or laboratory use.
8. As with any appliance, close supervision is necessary when used by children.
9. To reduce the risk of fire in the oven cavity:
 - a) Do not overcook food. Carefully attend appliance when paper, plastic, or other combustible materials are placed inside the oven to facilitate cooking.
 - b) Remove wire twist-ties from paper or plastic bags before placing bag in oven.
 - c) If materials inside the oven should ignite, keep oven door closed, turn oven off, and disconnect the power cord or shut off power at the fuse or circuit breaker panel.
 - d) Do not use the cavity for storage purposes. Do not leave paper products, cooking utensils or food in the cavity when not in use.
10. Liquids, such as water, coffee, or tea are able to be overheated beyond the boiling point without appearing to be boiling due to surface tension of the liquid. Visible bubbling or boiling when the container is removed from the microwave oven is not always present.

PRECAUTIONS (cont.)

THIS COULD RESULT IN VERY HOT LIQUIDS SUDDENLY BOILING OVER WHEN A SPOON OR OTHER UTENSIL IS INSERTED INTO THE LIQUID. To reduce the risk of injury to person:

- a) Do not overheat the liquid.
 - b) Stir the liquid both before and halfway through heating it.
 - c) Do not use straight-sided containers with narrow necks.
 - d) After heating, allow the container to stand in the microwave oven for a short time before removing the container.
 - e) Use extreme care when inserting a spoon or other utensil into the container.
 11. Do not heat oil or fat for deep-frying. It is difficult to control the temperature of oil in microwave oven.
 12. Do not cover or block any openings on the appliance.
 13. Do not store or use this appliance outdoors. Do not use this product near water, for example, near a kitchen sink, in a wet basement, near a swimming pool, or similar locations.
 14. Do not operate this appliance if it has a damaged cord or a plug, if it is not working properly or if it has been damaged or dropped.
 15. Do not immerse cord or plug in water. Keep cord away from heated surface. Do not let cord hang over edge of table or counter.
 16. This appliance should be serviced only by qualified service personnel, contact nearest authorized service facility for examination, repair, or adjustment.
 17. When cleaning surfaces of door and oven that comes together on closing the door, use only mild, nonabrasive soaps, or detergents applied with a sponge or soft cloth.
 18. This equipment has been tested and found to comply with Part 18 of the FCC Rules. Operation is subject to the following two conditions: (1) This device may not cause harmful interference, and (2) this device must accept any interference received, including interference that may cause undesired operation.
- CAUTION** Changes or modifications not expressly approved by the party responsible for compliance could void the user's authority to operate the product.
19. This equipment generates, uses and can radiate radio frequency energy and, if not installed and used in accordance with the instructions, may cause harmful interference to radio communications. However, there is no guarantee that interference will not occur in a particular installation. If this equipment does cause harmful interference to radio or television reception, which can be determined by turning the equipment off and on, the user is encouraged to try to correct the interference by one or more of the following measures:
 - Reorient or relocate the receiving antenna.
 - Increase the separation between the equipment and receiver.
 - Connect the equipment into an outlet on a circuit different from that to which the receiver is connected.
 - Consult the dealer or an experienced radio/TV technician for help.

GROUNDING INSTRUCTIONS

This appliance must be grounded. In the event of an electrical short circuit, grounding reduces risk of electric shock by providing an escape wire for the electric current. This appliance is equipped with a cord having a grounding wire with a grounding plug. The plug must be plugged into an outlet that is properly installed and grounded.

WARNING! Improper use of the grounding plug can result in a risk of electric shock.

Consult a qualified electrician or serviceman if the grounding instructions are not completely understood, or if doubt exists as to whether the appliance is properly grounded, and if it is necessary to use an extension cord, use only a 3-wire extension cord that has a 3-blade grounding plug and a 3-slot receptacle that will accept the plug on the appliance. The marked rating of the extension cord shall be equal to or greater than the electrical rating of the appliance.

ELECTRICAL REQUIREMENTS

The electrical requirements are a 120 V 60 Hz, AC only, 15 amp. It is recommended that a separate circuit serving only the oven be provided. The oven is equipped with a 3-prong grounding plug. It must be plugged into a wall outlet properly installed and grounded.

POWER CORD

1. A short power supply cord is provided to reduce the risks resulting from becoming entangled in or tripping over a longer cord.
2. Longer cord sets or extension cords are available and may be used if care is exercised in their use.
3. If long cord or extension cord is used:
 - a) The marked electrical rating of the cord set or extension cord should be at least as great as the electrical rating of the appliance.
 - b) The extension cord must be a grounding-type 3-wire cord, and the longer cord should be arranged so that it will not drape over the counter top or table top where it can be pulled on by children or tripped over unintentionally.

SPECIFICATIONS

Power Consumption	120V / 60Hz, 1100W
Output	700W
Operation Frequency	2450MHz
Outside Dimensions(H x W x D)	9-9/16 x 17-9/16 x 12-11/16 in.
Oven Capacity	0.7cu.ft.
Net Weight	approx. 20.7 lbs

INSTALLATION

1. Make sure that all the packing materials are removed from the inside of the door.
2. This microwave oven must be placed on a flat.
3. For correct operation, the oven must have sufficient air flow. Allow 8" / 20 cm of space above the oven, 4" / 10 cm at back and sides. Do not cover or block any openings on the appliance. Do not remove feet on which oven stands.
4. Do not operate the oven without glass tray, roller support, and shaft in their proper positions.
5. Make sure that the power cord is undamaged and does not run under the oven or over any hot or sharp surface.
6. The socket must be readily accessible so the microwave oven can be easily unplugged in an emergency.

COOKING UTENSILS GUIDE

This section lists which utensils can be used in this microwave, which have limited use for short periods, and which should not be used in this microwave.

RECOMMENDED

MICROWAVE BROWNING DISH - Use to brown the exterior of small items such as steaks, chops, or pancakes. Follow the directions provided with your browning dish.

MICROWAVEABLE PLASTIC WRAP - Use to retain steam. Leave a small opening for some steam to escape and avoid placing it directly on the food.

PAPER TOWELS AND NAPKINS - Use for short-term heating and covering; these absorb excess moisture and prevent spattering. Do not use recycled paper towels, which may contain metal and could ignite.

GLASS AND GLASS-CERAMIC BOWLS AND DISHES - Use for heating or cooking.

Paper plates and cups - Use for short-term heating at low temperatures. Do not use recycled paper, which may contain metal and could ignite.

WAX PAPER - Use as a cover to prevent spattering.

THERMOMETERS - Use only those labeled "Microwave Safe" and follow all directions. Check the food in several places. Conventional thermometers may be used on microwave food once the food has been removed from the oven.

LIMITED USE

Aluminum foil — Use narrow strips of foil to prevent overcooking of exposed areas. Using too much foil can damage your oven, so be careful. You should keep distance of 1 inch (2.54 cm) between aluminum foil and cavity.

Ceramic, porcelain, and stoneware— Use these if they are labeled "Microwave Safe". If they are not labeled, test them to make sure they can be used safely.

Plastic — Use only if labeled "Microwave Safe". Other plastics can melt.

INSTALLATION (cont.)

NOT RECOMMENDED

Glass jars and bottles — Regular glass is too thin to be used in a microwave. It can shatter and cause damage and injury.

Paper bags — These are a fire hazard, except for popcorn bags that are designed for microwave use.

Styrofoam plates and cups — These can melt and leave an unhealthy residue on food.

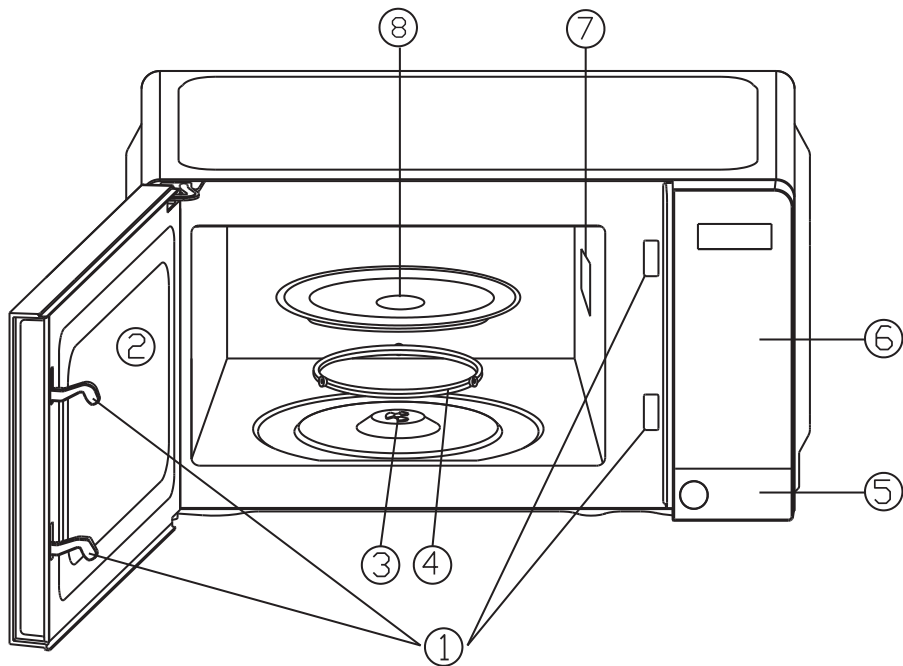
Plastic storage and food containers — Containers such as margarine tubs can melt in the microwave.

Metal utensils — These can damage your oven. Remove all metal before cooking.

NOTE Should you wish to check if a dish is safe for microwaving, place the empty dish in the oven and microwave on HIGH for 30 seconds. A dish which becomes very hot should not be used.

PARTS & FEATURES

1. Door Safety Lock System
2. Oven Window
3. Shaft
4. Roller Ring
5. Door Release Button
6. Control Panel
7. Wave Guide (Please do not remove the mica plate covering the wave guide)
8. Glass Tray



FUNCTION BUTTONS



- **DISPLAY**
Cooking time, power, indicators and clock time are displayed.
- **AUTO COOK MENUS**
There are 6 kinds of auto cook menus. Use to set auto cook program.
- **NUMBER PADS (0-9)**
Use to adjust power level, set time or enter food weight.
- **CLOCK**
Use to set the clock time.
- **TIME COOK**
Use to set microwave cooking.
- **KITCHEN TIMER**
Kitchen timer functions independently, even while a cooking program is in process
- **TIME DEFROST**
Use to set defrost program based on time.
- **WEIGHT DEFROST**
Use to set defrost program by weight.
- **POWER LEVEL**
Use to set microwave power level.

- **STOP/CANCEL**
Press to reset the oven before setting a cooking program. Press once to temporarily stop cooking, or twice to cancel cooking altogether. It is also used for setting child lock.
- **START/+30 SEC**
Press to start a cooking program. It is also used to increase cooking time during cooking.

OPERATION

- When the oven first plugged in, a beep will sound and the display will show "1:01".
- In the process of cooking setting, broke about 25 seconds the oven will return to standby mode.
- During cooking, if STOP/CANCEL pad is pressed once, the program will be paused, press START pad to resume, but if STOP/CANCEL pad is pressed twice, the program will be canceled.
- After cooking is done, the screen will display End with sound every two minutes until the STOP/CANCEL pad is pressed or the door is opened.
- In the process of operation, pressing a valid pad, the buzzer will ring once, but if pressing an invalid pad, the buzzer will ring twice.
- In standby mode, press STOP/CANCEL and START pads at the same time to check the version date and the model of PCB.

OPERATION (cont.)

SETTING THE CLOCK

This is a 12 or 24 hour clock, and you can select it by pressing CLOCK pad.

1. In standby mode, press CLOCK pad once or twice to select 12 or 24 hour clock.
2. Use the number pads to enter the correct time.
3. Press CLOCK pad to confirm.

NOTE During cooking, the current time can be seen by pressing CLOCK pad.

EXPRESS COOK

Directly in standby mode, when you touch a number button (1, 2, 3, 4, 5 or 6) once, the corresponding system direct start cooking time starts respectively 1 minute, 2 minutes, 3 minutes, 4 minutes, 5 minutes and 6 minutes. The microwave oven will start to cook at full power level.

SETTING THE +30 SEC FUNCTION

In standby mode, touch START/+30 SEC button repeatedly to enter cooking time, the microwave oven will auto start cooking at full power level. The longest cooking time you can enter is 99 minutes and 99 seconds.

NOTE: During cooking (microwave cooking and express cook), you can add cooking time by touching START/+30 SEC button.

SETTING KITCHEN TIMER

1. In standby mode or during cooking, press KITCHEN TIMER pad once.
2. Press the number pads to enter the amount of time. The longest time is 99 minutes 99 seconds.
3. Press START pad to confirm.

NOTE When the countdown ends, the buzzer will beep to remind you. You can check the countdown time by pressing KITCHEN TIMER pad, but if STOP/CANCEL pad is pressed when the display shows the time, the function can be canceled.

MICROWAVE COOKING

1. In standby mode, press TIME COOK pad once.
2. Use the number pads to enter cooking time. The longest time is 99 minutes 99 seconds.
3. If you want to set a power level other than 100% power, touch POWER LEVEL pad, and then use the number pads to enter the power level.
4. Press START pad to confirm.

Use single digit to set a cooking power level:

Number pad	Cooking power (Display)	Number pad	Cooking power (Display)
1,0	100% (P100)	4	40% (P-40)
9	90% (P-90)	3	30% (P-30)
8	80% (P-80)	2	20% (P-20)
7	70% (P-70)	1	10% (P-10)
6	60% (P-60)	0	0% (P-00)
5	50% (P-50)		

NOTE During cooking, the current power level can be seen by pressing POWER LEVEL pad.

TIME DEFROST

The defrosting power is adjusted automatically once the cooking time is programmed.

1. In standby mode, press TIME DEFROST pad once.
2. Use the number pads to enter defrosting time. The longest time is 99 minutes 99 seconds.
3. Press START pad to confirm.

NOTE During defrosting program, the system will pause and sound beeps to remind user to turn food over, and then press START pad to resume.

OPERATION (cont.)

WEIGHT DEFROST

The defrosting time and power level are automatically set once the weight is programmed.

1. Press WEIGHT DEFROST pad once.
2. Use the number pads to select food weight. The maximum weight is 6 lbs.
3. Press START pad to confirm.

NOTE

- During defrosting program, the system will pause and sound beeps to remind user to turn food over, and then press START pad to resume.
- Weight must be in pounds and ounces. If label gives weight in pounds only, change the fraction of a pound to ounces using the following chart.

Converting fractions of a pound to ounces

Fractions of a pound	Ounces	Fractions of a pound	Ounces
Less than .03	0	.54 to .59	9
.03 to .09	1	.60 to .65	10
.10 to .15	2	.66 to .71	11
.16 to .21	3	.72 to .78	12
.22 to .27	4	.79 to .84	13
.28 to .34	5	.85 to .90	14
.35 to .40	6	.91 to .97	15
.41 to .46	7	above .97	go to next even
.47 to .53	8		

MULTISTAGE COOKING

Your oven can be programmed up to 3 automatic cooking sequences. It can be composed of time defrost with one or two microwave cooking program, or composed of two microwave cooking program.

A. Time defrost with one or two-stage microwave cooking:

1. Open the door and place the food into the oven, close it.
2. Press TIME DEFROST pad once.
3. Enter desired defrosting time by pressing correct number pads.
4. Input the first stage of microwave cooking program.
5. Input the second stage of microwave cooking program.
6. Press START to confirm.

NOTE Step 5 is not necessary if you have one microwave cooking program. Time defrost can only be set in the first stage.

B. Two-stage microwave cooking:

Some recipes require different stages of cooking at different temperatures.

1. Input the first stage of microwave cooking program.
2. Press TIME DEFROST pad once.
3. Input the second stage of microwave cooking program.
4. Press START to start.

CHILD LOCK

The lock prevents unsupervised operation by children.

- To set the child proof lock: In standby mode, press and hold STOP/CANCEL pad for 3 seconds, then a beep will sound, the oven will auto enter child lock mode and lock indication appears on the display for 3 seconds. In the lock state, all pads are invalid.
- To cancel the child proof lock: Press and hold STOP/CANCEL pad for 3 seconds, then a beep will sound and all pads are valid.

OPERATION (cont.)

AUTO COOK MENUS

The auto cook settings allow you to cook or reheat food automatically without entering power level or time. For smaller portions, simply press the applicable pad and start. For larger portions, push the pad twice. Enter the amount of shares and start.

POPCORN

1. Press POPCORN pad once.
popcorn automatically sets the cooking time for a 3.5 oz bag of microwave popcorn.
2. Press START pad to confirm.

NOTE: To change the preset POPCORN time: Press POPCORN pad twice. Press number pads to enter minutes and seconds, the longest time is 99 minutes 99 seconds. Press START pad. This new cooking time will be set as the default one until next power on.

POTATO

For small potatoes (4~6 oz/share):

1. Press POTATO once.
2. Enter number of potatoes by pressing number pads from 1 to 4.
3. Press START pad to confirm.

For larger potatoes (8~10 oz/share):

1. Press POTATO twice.
2. Enter number of potatoes by pressing number pads from 1 to 4.
3. Press START pad to confirm.

PIZZA

Reheating a slice of pizza (about 5oz):

1. Press PIZZA pad once.
2. Press START pad to confirm.

Heating a whole ice pizza (about 16oz):

1. Press PIZZA pad twice.
2. Press START pad to confirm.

FROZEN DINNER

For small frozen dinners (7~9 oz/share):

1. Press FROZEN DINNER pad once.
2. For 1 entree or 2 entrees, press the number pad “1” or “2”.
3. Press START pad to confirm.

For larger frozen dinners (10~12 oz/share):

1. Press FROZEN DINNER pad twice.
2. For 1 entree or 2 entrees, press the number pad “1” or “2”.
3. Press START pad to confirm.

BEVERAGE

For cups (5~7 oz/share):

1. Press BEVERAGE pad once.
2. Enter number of cups by pressing number pads from 1 to 4.
3. Press START pad to confirm.

OPERATION (cont.)

For larger coffee cups (9~11 oz/share):

1. Press BEVERAGE pad twice.
2. Enter number of mugs by pressing number pads from 1 to 4.
3. Press START pad to confirm.

REHEAT

For reheating medium-sized food (12~18oz):

1. Press REHEAT pad.
2. Press START pad to confirm.

CLEANING AND MAINTENANCE

1. Turn off the oven and unplug the power cord from the wall when cleaning.
2. Keep the inside of the oven clean. When food splatters or spilled liquids adhere to oven walls, wipe with a damp cloth. Mild detergents may be used if the oven gets very dirty. Avoid using spray or other harsh cleaners. They may stain, streak or dull the door surface.
3. The outside of the oven should be cleaned with a damp cloth. To prevent damage to the operating parts inside the oven, water should not be allowed to seep into the ventilation openings.
4. Wipe the door and window on both sides, the door seals and adjacent parts frequently with a damp cloth to remove any spills or splatters. Do not use abrasive cleaner.
5. Do not allow the control panel to become wet. Clean with a soft, damp cloth. When cleaning the control panel, leave oven door open to prevent oven from accidentally turning on.
6. If steam accumulates inside or around the outside of the oven door, wipe with a soft cloth. This may occur when the microwave oven is operated under high humidity condition. And it is normal.
7. It is occasionally necessary to remove the glass tray for cleaning. Wash the tray in warm sudsy water or in a dishwasher.
8. The roller ring and oven floor should be cleaned regularly to avoid excessive noise. Simply wipe the bottom surface of the oven with mild detergent. The roller ring may be washed in mild, soapy water or in a dishwasher. When removing the roller ring, be sure to replace it in the proper position.
9. Remove odors from your oven by combining a cup of water with the juice and skin of one lemon in a microwaveable bowl. Microwave for 5 minutes. Wipe thoroughly and dry with a soft cloth.
10. If the light bulb burns out, please contact customer service to have it replaced.
11. The oven should be cleaned regularly and any food deposits should be removed. Failure to maintain the oven in a clean condition could lead to deterioration of surface that could adversely affect the life of the unit and could possibly result in a hazardous situation.
12. Please do not dispose of this appliance into the domestic rubbish bin; it should be disposed to the specific disposal center provided by the municipalities.