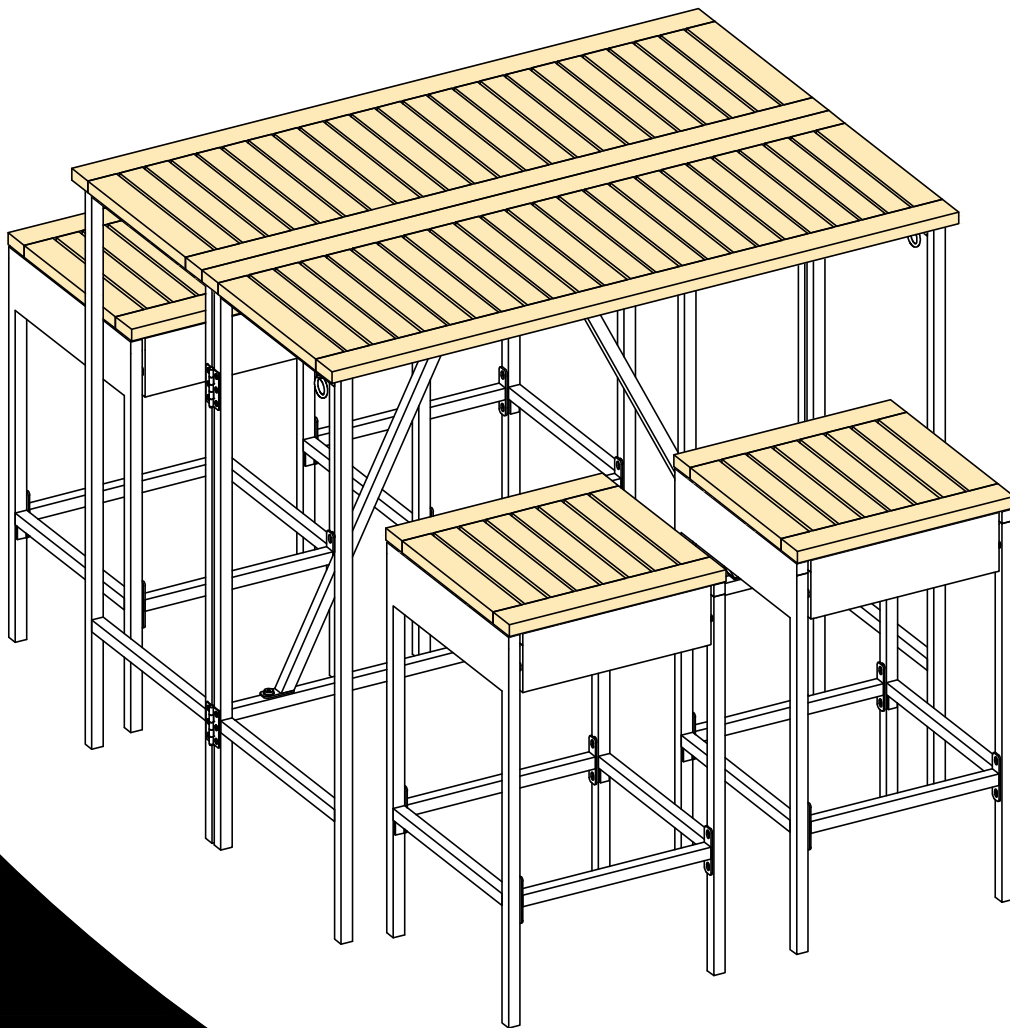


# ASSEMBLY INSTRUCTIONS

---

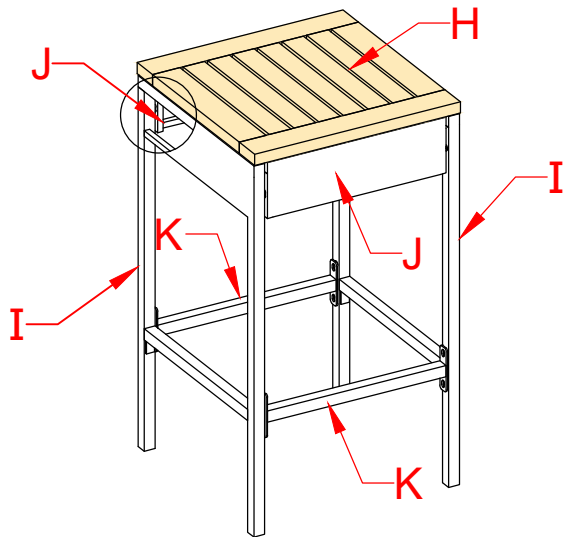
- Bar Furniture Set



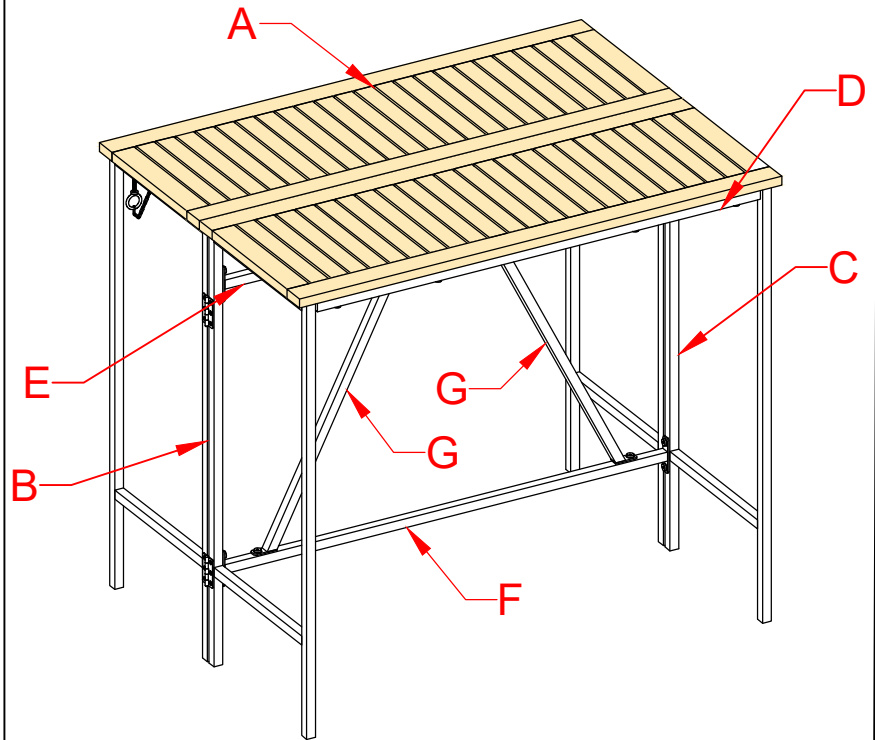
If you have any assembly problem

Contact us via email: [hofficeservice@gmail.com](mailto:hofficeservice@gmail.com) for more information.

# Parts



● 4-Bar Chair



● 1-Bar Table

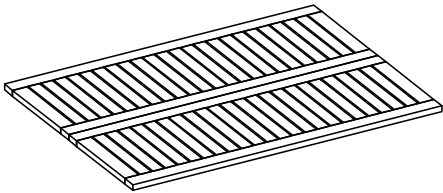
## Notice:

1. 50% Tighten before fixing all screws, Allen wrench is recommended instead of an electric drill.
2. Place the item on a flat ground to adjust and make sure it remains stable.
3. Tighten up all screw with tools gradually.
4. If screw are not aligned with holes during assembly, please loosen all the other screws to 50% and continue the assembly process.
5. If the item is not stable, please loosen all screws, adjust it on a flat ground and tighten up all screws again.
6. Note: If one or some screws are fully tighten during assembly, chances are the others will not be aligned with holes. In addition, all the holes are designed to be relatively larger to provide more space for the adjustment of the screws.

# Parts List And Hardware List

Check and make sure you get the components on the list, contact us for any missing

**A**



Wodden Table Top (1Pc)

**B**

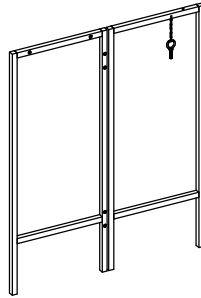


Table Left leg (1Pc)

**C**

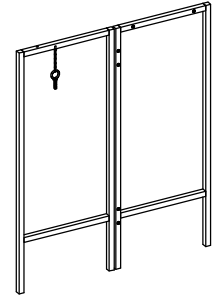


Table Right Leg (1Pc)

**D**

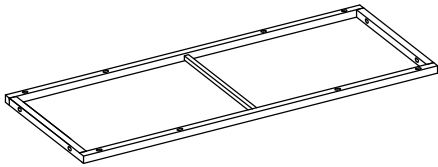


Table Top (1Pc)

**E**

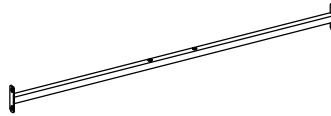


Table Support Top Leg (1Pc)

**F**

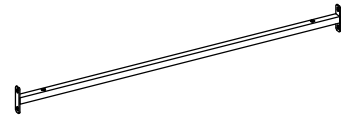


Table Support Bottom Leg (1Pc)

**G**

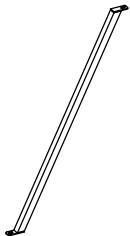
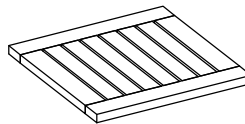


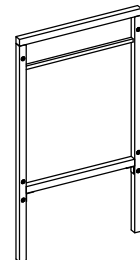
Table Support (2Pcs)

**H**



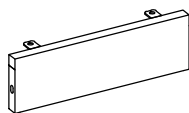
Wooden Seat Chair (4Pcs)

**I**



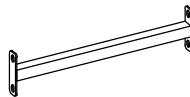
Leg Chair (8Pcs)

**J**



Front Chair (8Pcs)

**K**



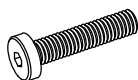
Support Leg Chair (8Pcs)

**1**



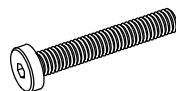
Bolt M6x20mm (60Pcs)

**2**



Bolt M6x30mm (16Pcs)

**3**



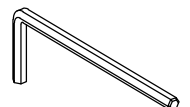
Bolt M6x40mm (12Pcs)

**4**



Flat Washer (88Pcs)

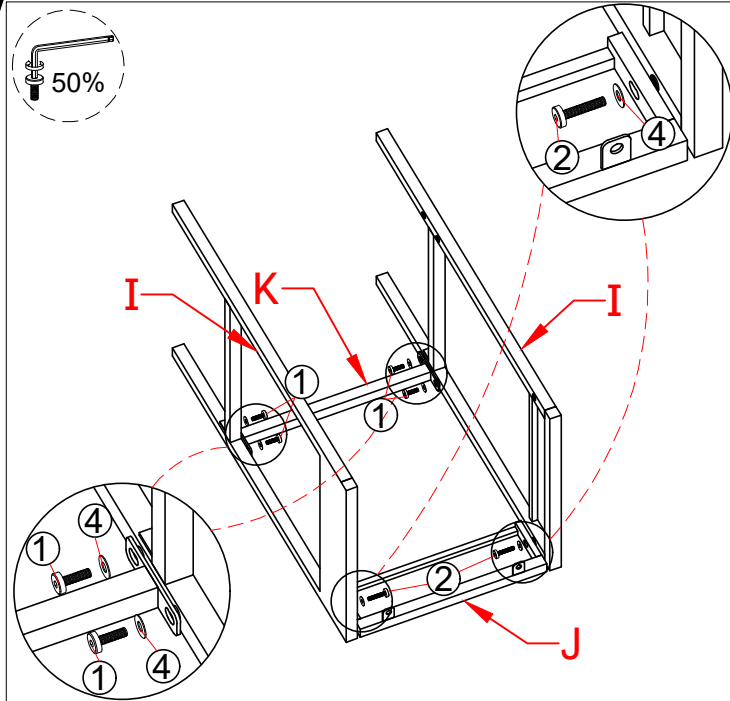
**5**



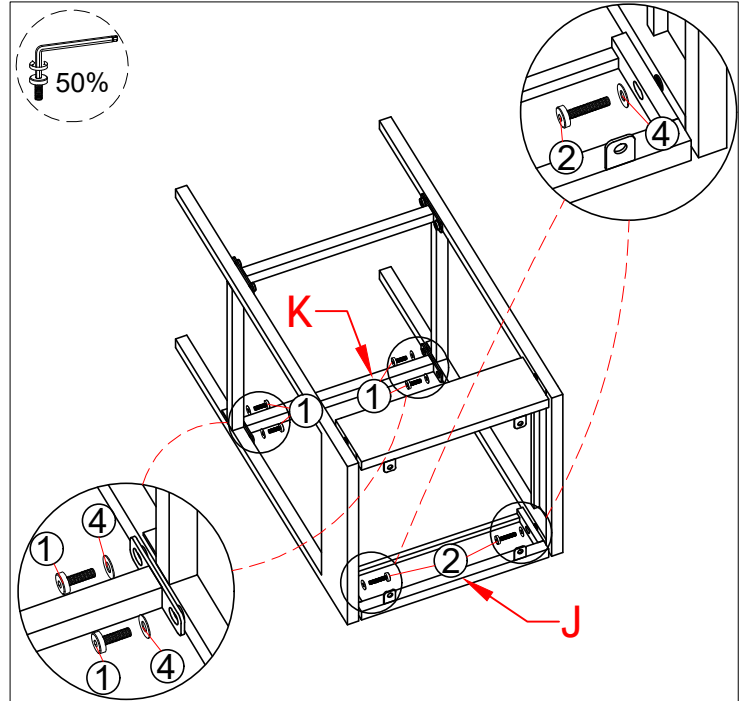
Allen Key (3Pcs)

# Installation step

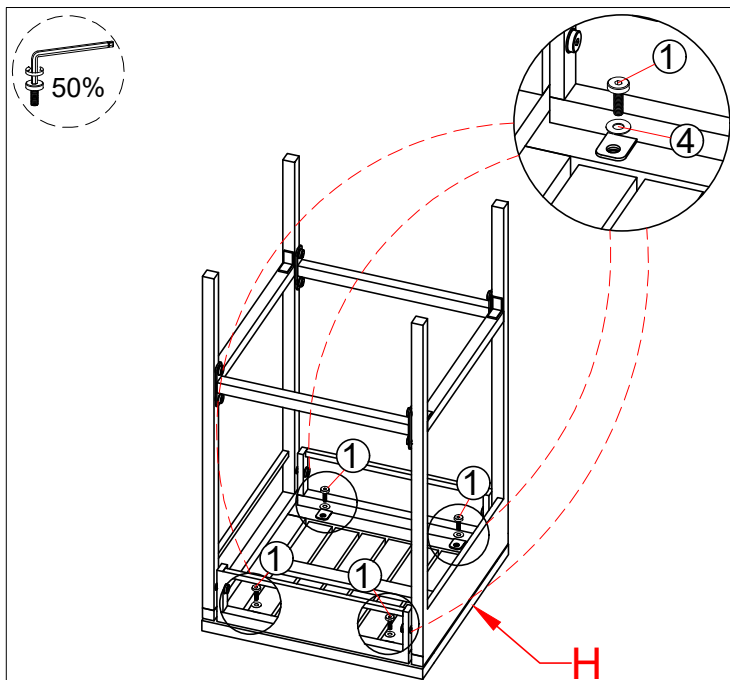
For successful installation, When installing, please do not tighten the screws once, when the screws are all installed, a unified tighten all the screws



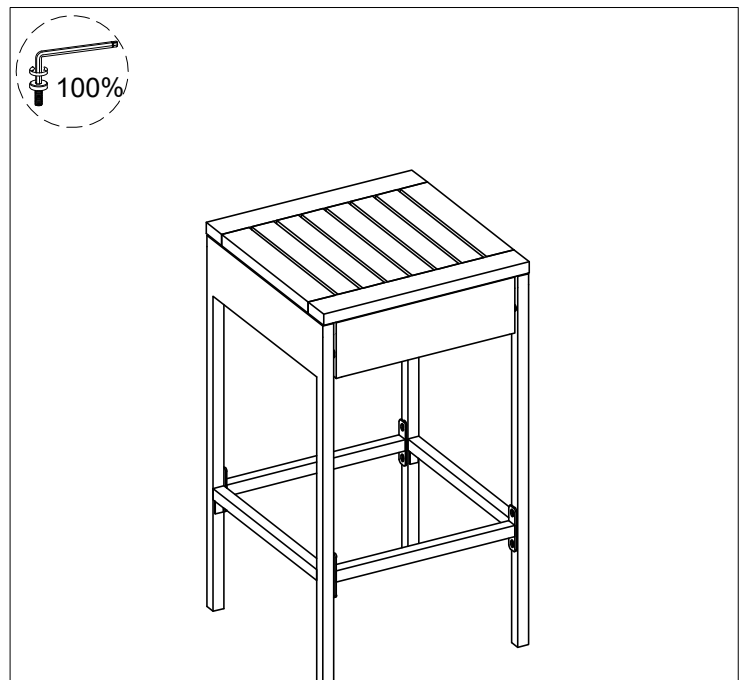
Step 1: Connect Leg Chair (I) & Front Chair (J), Support Leg Chair (K), tighten Bolt (1),(2), Flat Washer (4) with Allen Key (5).



Step 2: Connect The Part from Step 1 & Front Chair (J), Support Leg Chair (K), tighten Bolt (1),(2), Flat Washer (4) with Allen Key (5).



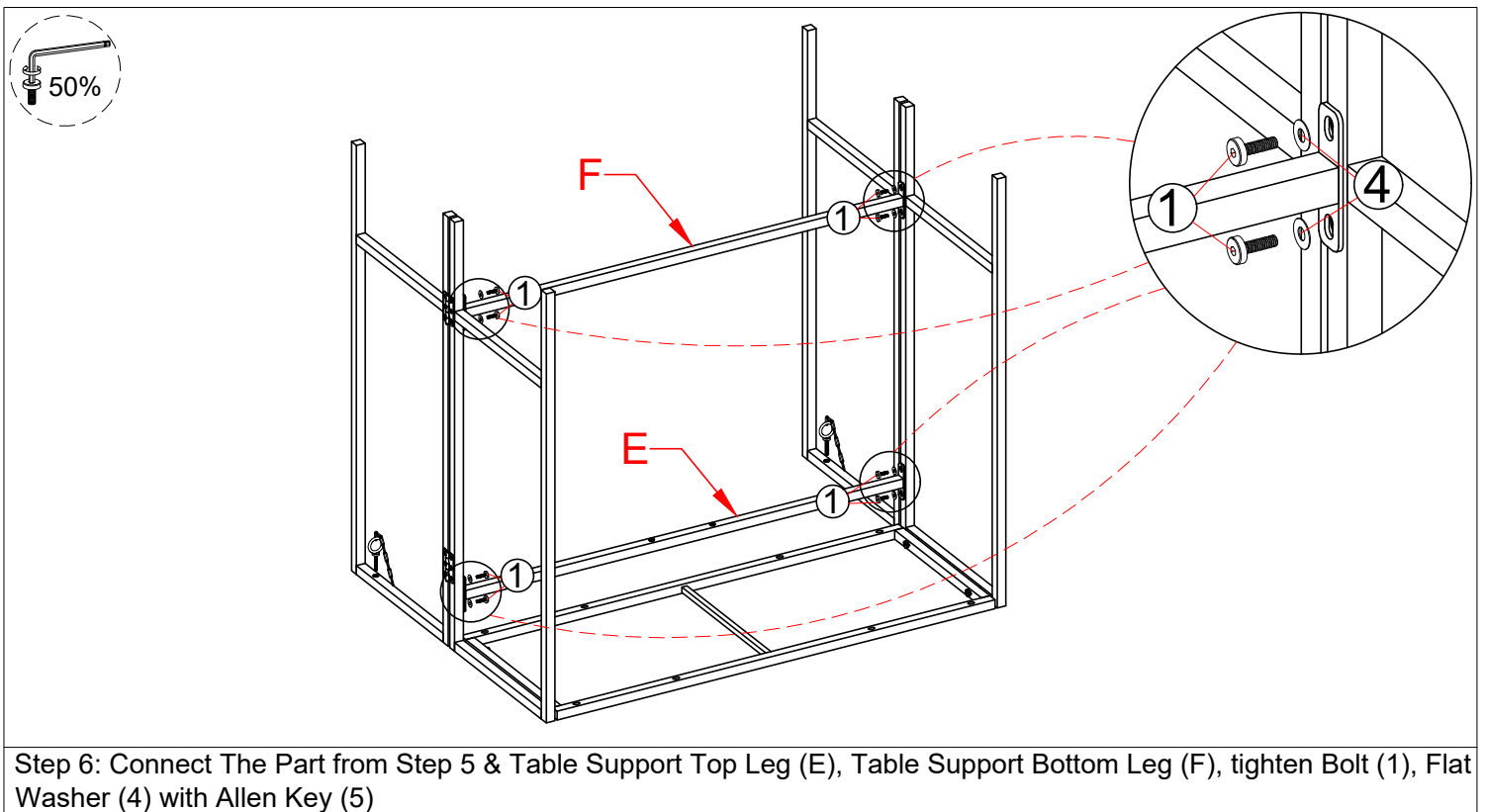
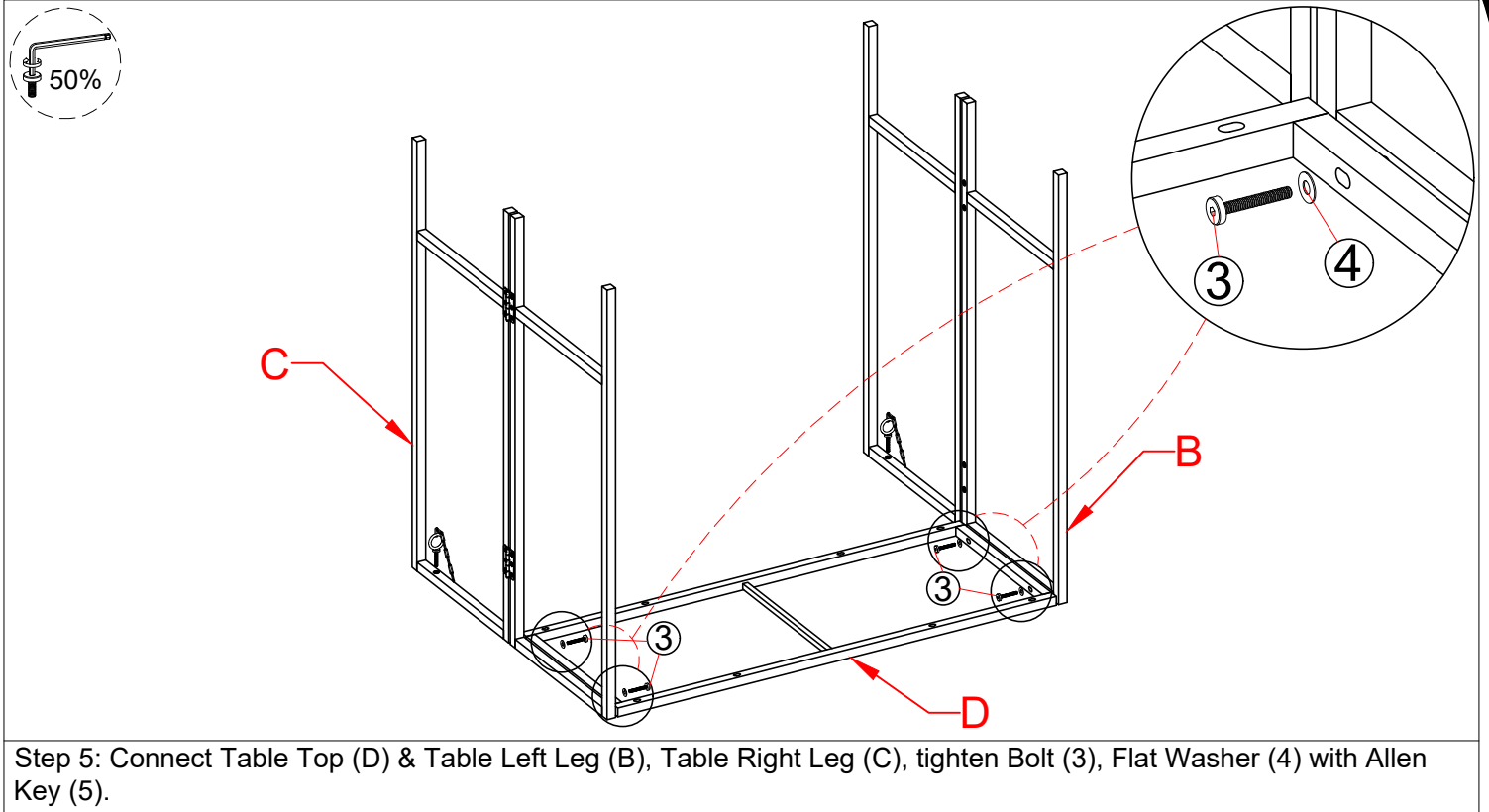
Step 3: Connect The Part from Step 2 & Wooden Seat Chair (H), tighten Bolt (1), Flat Washer (4) with Allen Key (5).



Step 4: Put the Bar Chair upright and make sure all legs are level, then firmly tighten Bolts with Allen Key (5) to Finish Bar Chair

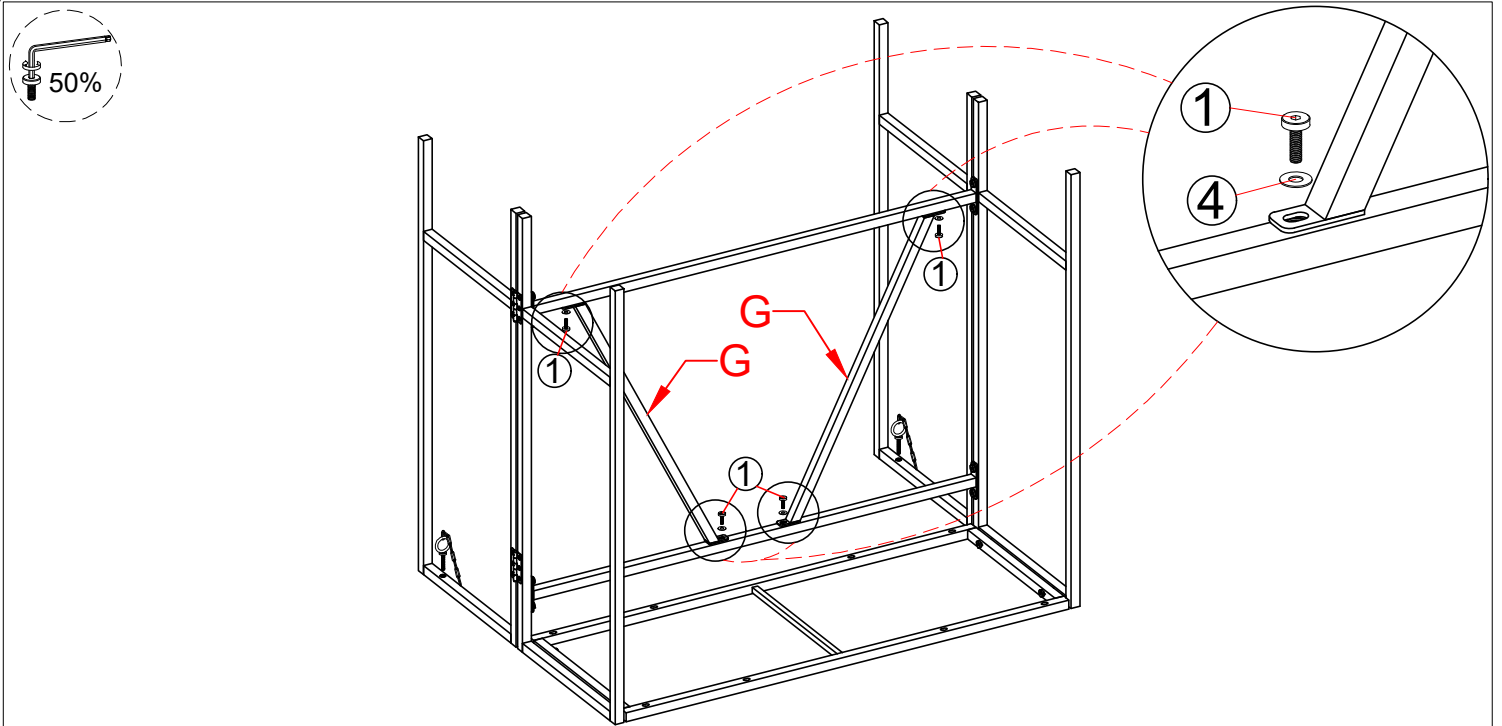
# Installation step

For successful installation, When installing, please do not tighten the screws once, when the screws are all installed, a unified tighten all the screws

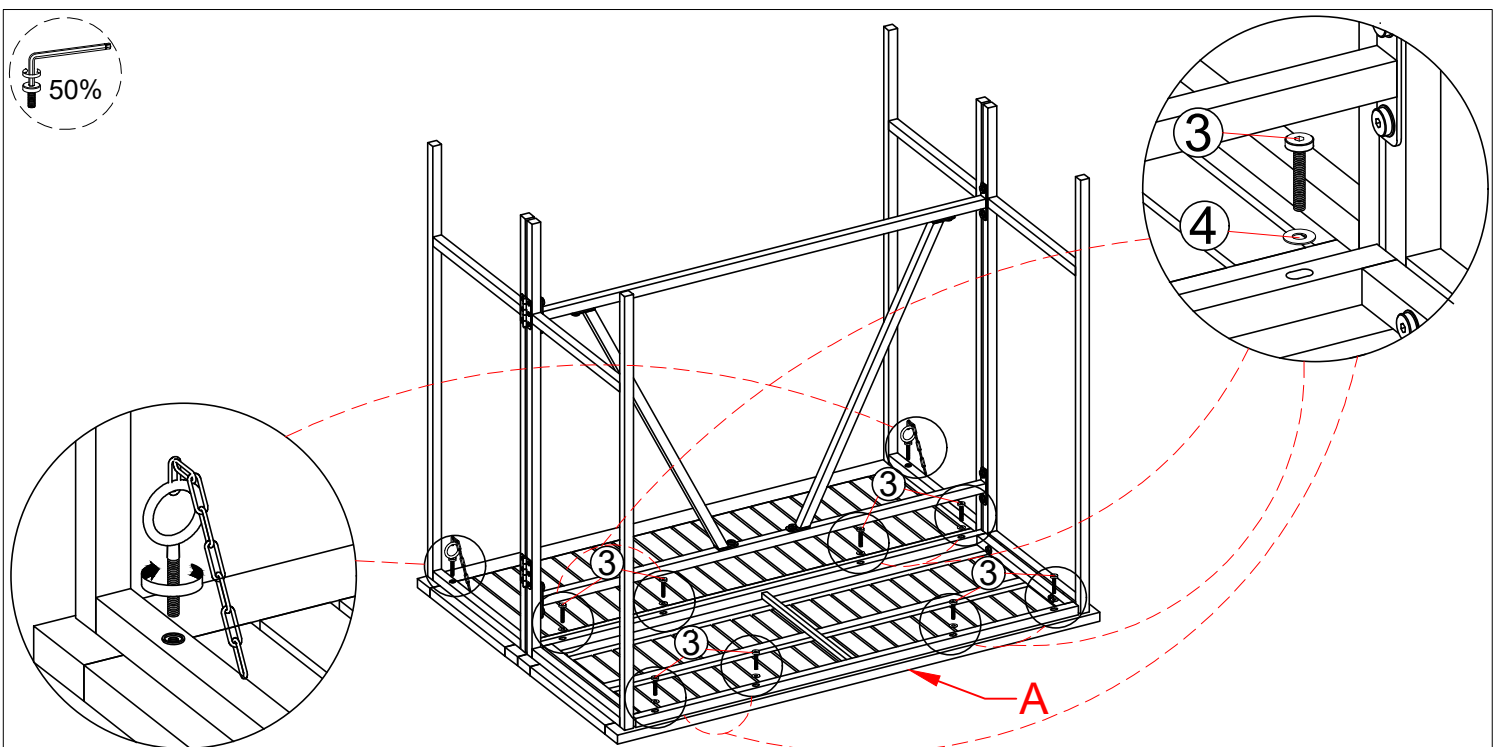


# Installation step

For successful installation, When installing, please do not tighten the screws once, when the screws are all installed, a unified tighten all the screws



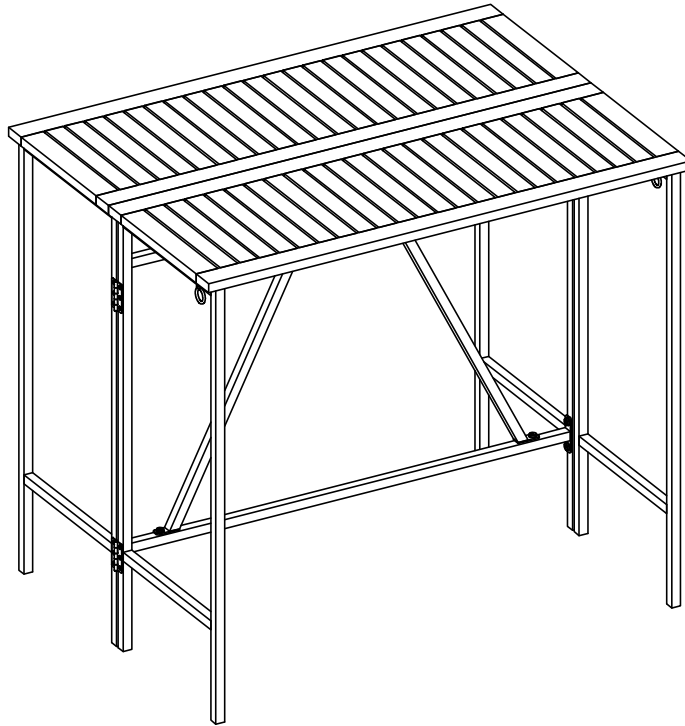
Step 7: Connect The Part from Step 6 & Table Support (G), tighten Bolt (1), Flat Washer (4) with Allen Key (5)



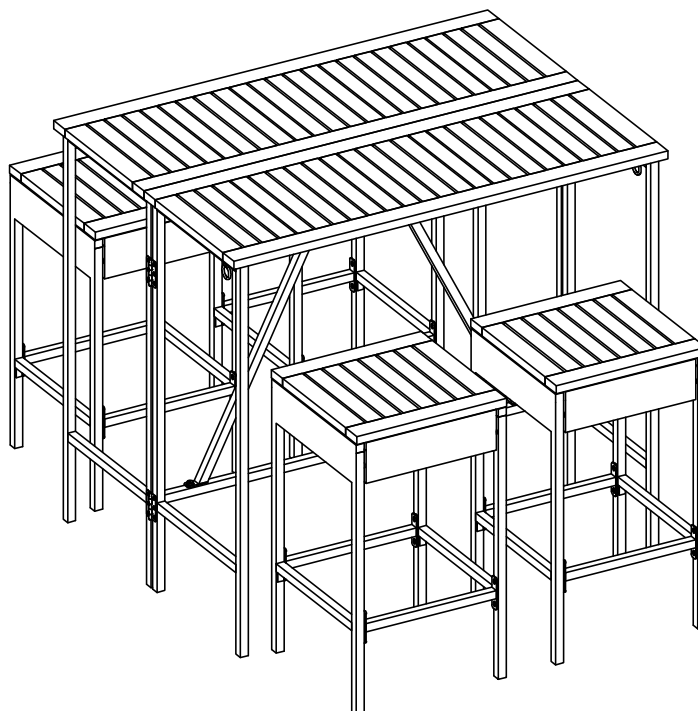
Step 8: Connect The Part from Step 7 & Wooden Table Top (A), tighten Bolt (3), Flat Washer (4) with Allen Key (5)

# Installation step

For successful installation, When installing, please do not tighten the screws once, when the screws are all installed, a unified tighten all the screws



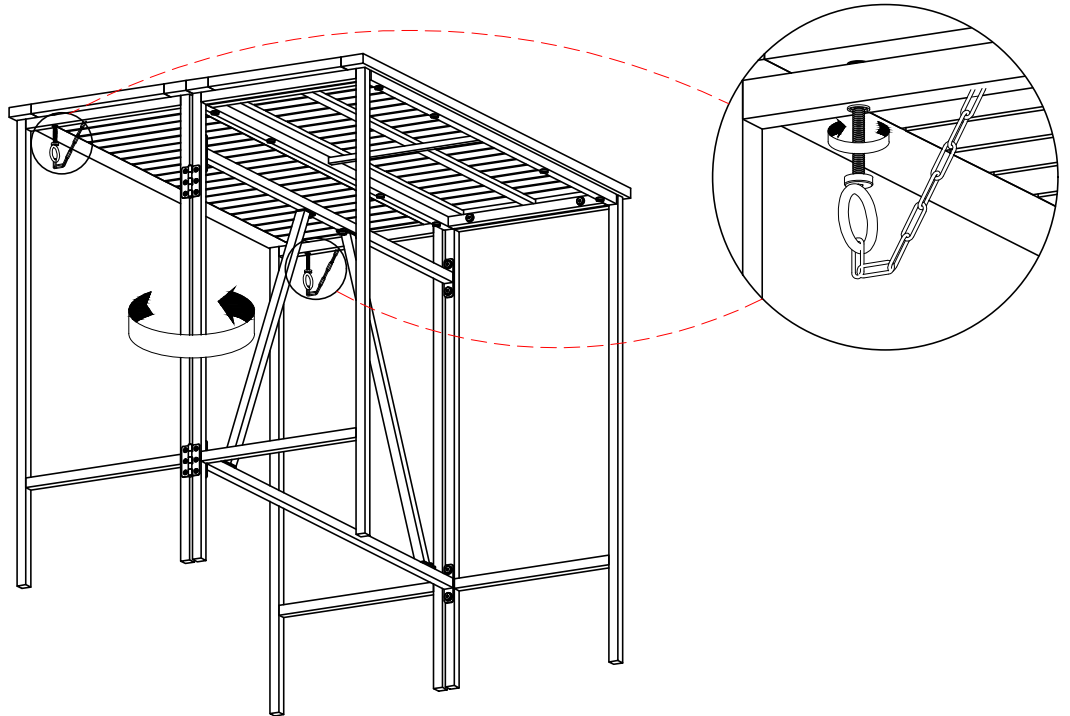
Step 9: Put the Bar Table upright and make sure all legs are level, then firmly tighten Bolts with Allen Key (5) to Finish Bar Table



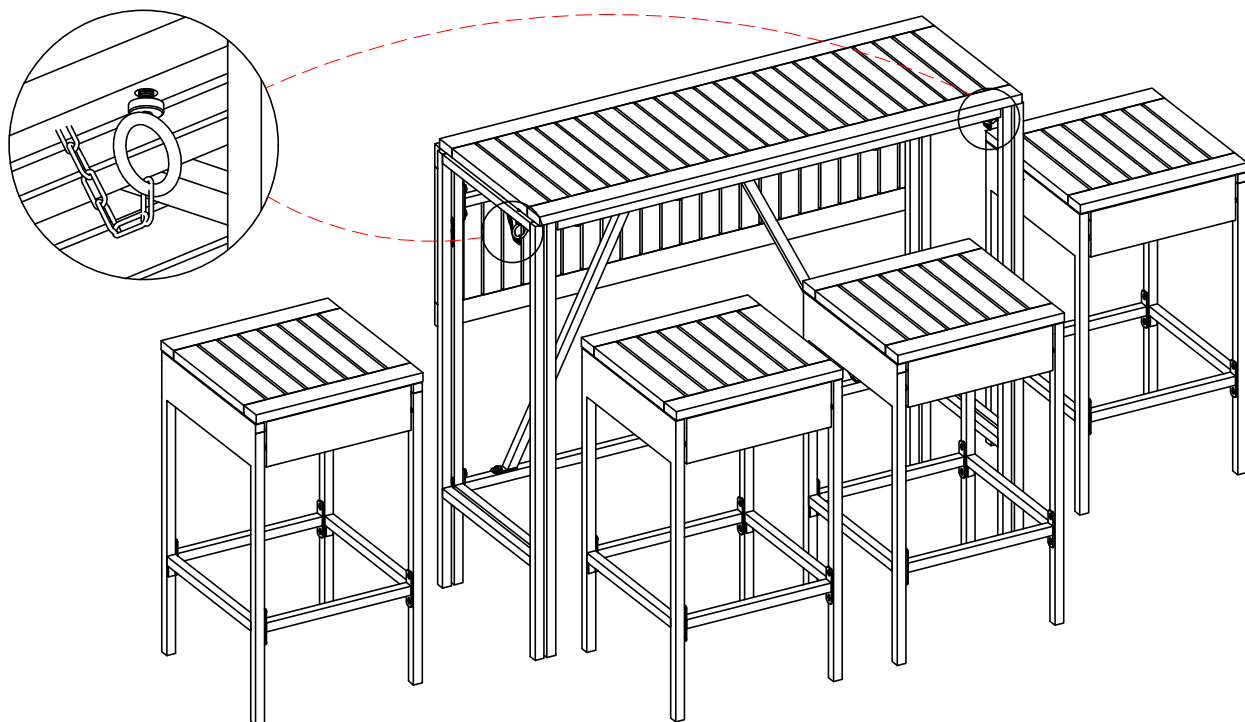
OPTION : 01

# Installation step

For successful installation, When installing, please do not tighten the screws once, when the screws are all installed, a unified tighten all the screws



Use Allen key to loosen Bolt on the side of Table Left Leg (B) & Table Right Leg (C).



OPTION : 02