

USE AND CARE GUIDE

BOOK CASE



Questions, problems, missing parts? Before returning to the store,
call Home Decorators Collection Customer Service.
8 a.m. – 7 p.m., EST, Monday – Friday, 9 a.m. – 6 p.m., EST, Saturday

1-800-998-7021

HOMEDEPOT.COM/HOMEDECORATORS

THANK YOU

We appreciate the trust and confidence you have placed in Home Decorators Collection through the purchase of this book case. We strive to continually create quality products designed to enhance your home. Visit us online to see our full line of products available for your home improvement needs. Thank you for choosing Home Decorators Collection!

Table of Contents

Table of Contents	2	Pre-assembly (continued)	4
Safety Information	2	Package Contents	4
Warranty	2	Assembly	5
3 Year Warranty	2	Assembly	6
What is Covered	2	Assembly	7
What is Not Covered	2	Assembly	8
Pre-assembly	3	Maintenance.....	9
Planning Assembly.....	3	Care and Cleaning	9
Hardware Included.....	3		

Safety Information



DANGER

- Keep small parts away from children during assembly.
- Read and follow instructions carefully.



WARNING

- Read these instructions carefully and keep in a safe place.
- TO GUARANTEE THE SAFE USE OF THIS PRODUCT, FOLLOW THE WARNINGS, GUIDELINES AND RECOMMENDATIONS IN THIS MANUAL.
- Adult assembly required.
- Small parts may present choking hazard prior to assembly.
- Do not place heavy objects on the glass top.
- Some assembly may involve attaching glass or mirrors.
- Be very careful handling the glass or mirrors, as severe injury may result if the glass or mirror breaks.
- Never handle large pieces of glass or mirrors by yourself.
- The load capacity of each shelf is 20lbs.



CAUTION

- Do not use power tools to assemble your furniture. Power tools may strip or damage parts/product.
- Do not overtighten connectors (screws, bolts, etc.). Overtightening can lead to product damage.
- Be sure to check all packing materials carefully for small parts that may have come loose inside the carton during shipment. If parts are missing, contact THE HOME DEPOT to obtain any missing parts.
- DO NOT USE SUBSTITUTE PARTS.
- This product should only be used on a flat, level surface.

Warranty

3 YEAR WARRANTY

WHAT IS COVERED

We guarantee this product to be free of manufacturing defects to the original purchaser for three years.

WHAT IS NOT COVERED

This warranty does not cover commercial use, acts of nature, and abusive use.

Pre-assembly

PLANNING ASSEMBLY

Keep children and pets away from the assembly area. Ensure your area is large enough to unpack, sort, and assemble the unit.

HARDWARE INCLUDED



NOTE: Hardware not shown to actual size.



_____ AA



_____ BB



_____ CC



_____ DD



_____ EE



_____ FF

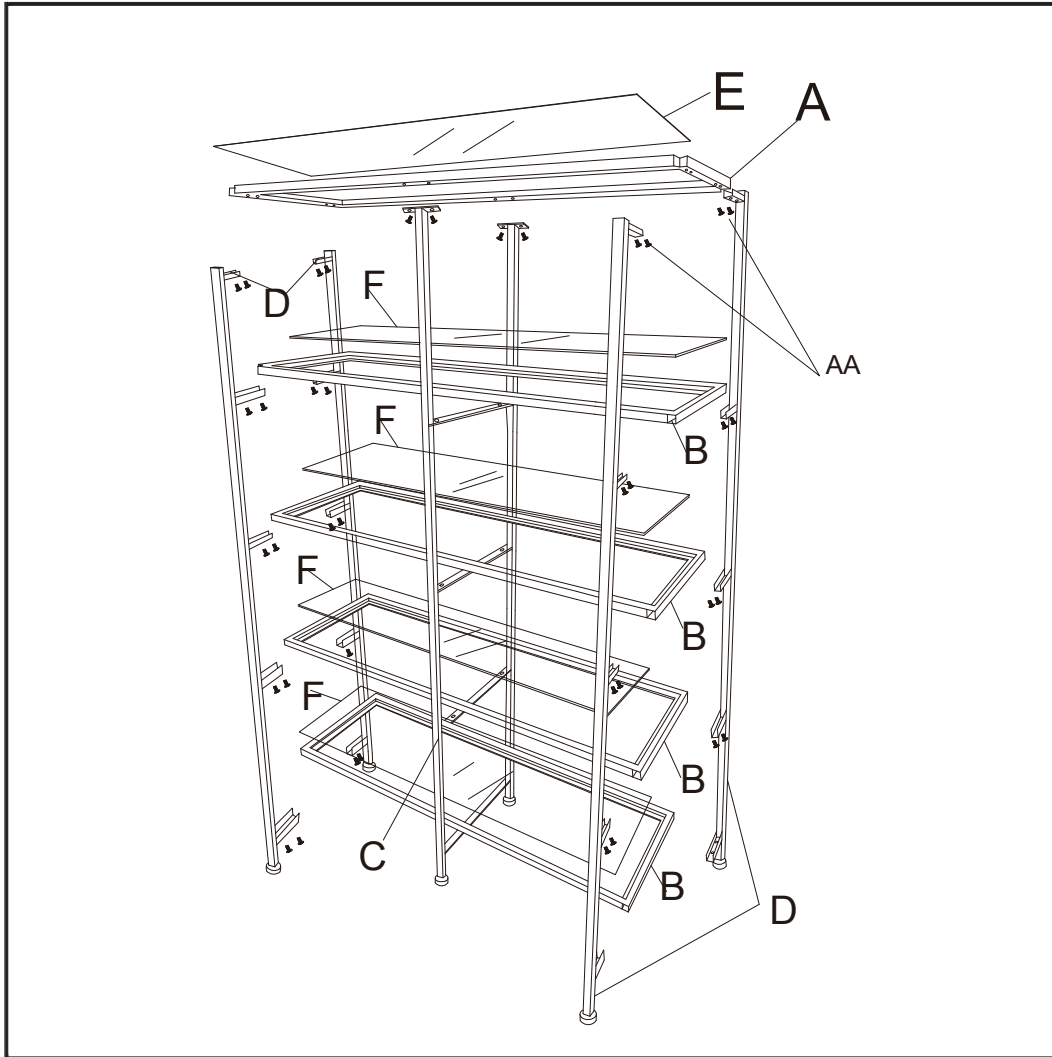


_____ GG

Part	Description	Quantity
AA	Bolt	52
BB	Allen wrench	1
CC	Plastic wall anchors	2
DD	Wall Clip	2
EE	Screw	2
FF	Zip tie	2
GG	Glass bumper	30

Pre-assembly (continued)

PACKAGE CONTENTS

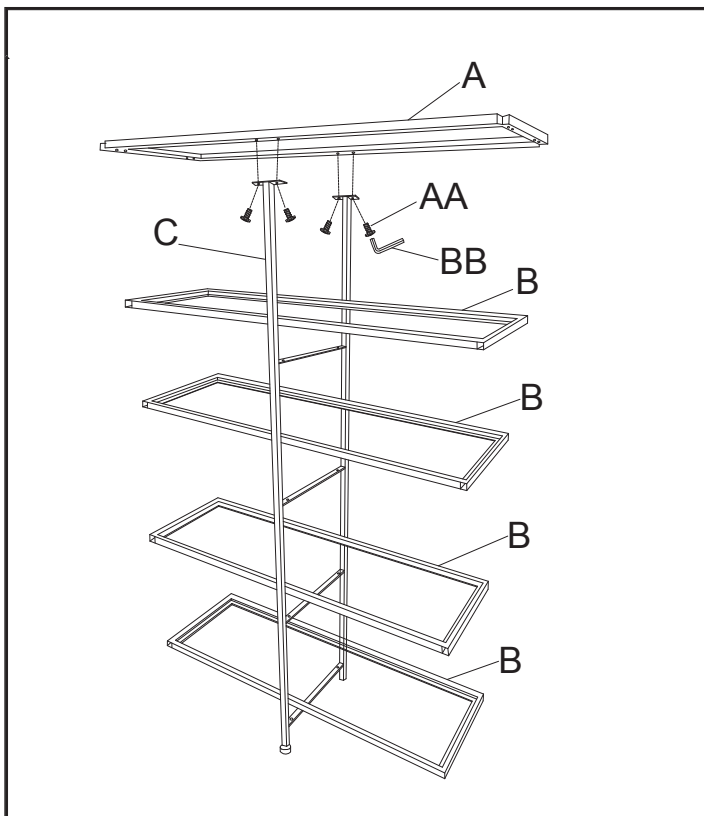


Part	Description	Quantity
A	Metal top frame	1
B	Metal frames for layers 2-5	4
C	Metal frames leg in the middle	1
D	Metal legs for 4 sides	4
E	Top glass panel	1
F	Glass panels	4

Assembly

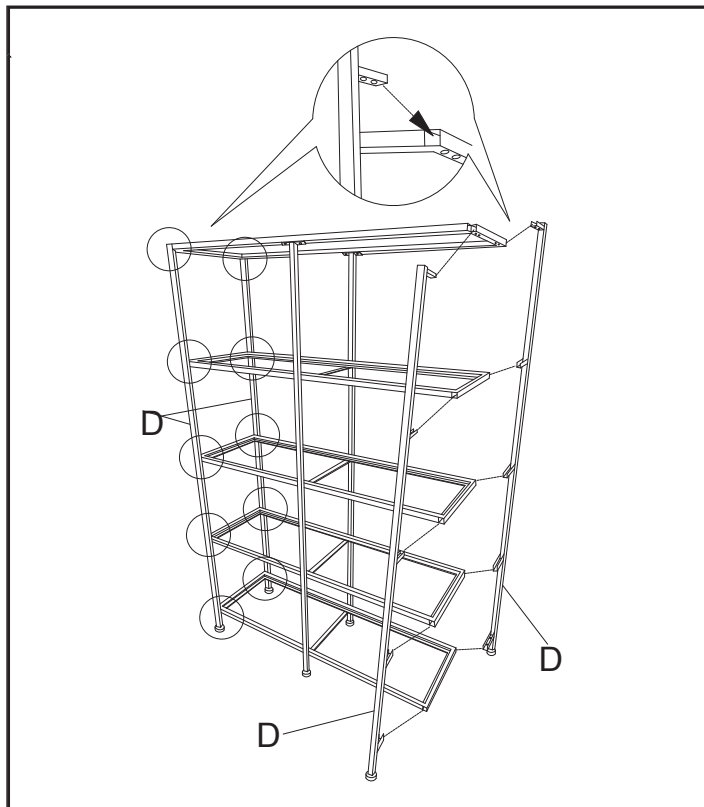
1 Attaching the metal frames

- Attach the top frame (A) and frames for layers 2-5 (B) to the middle frame leg (C) with bolts (AA).



2 Attaching four metal legs (D) to the frames (A) and (B).

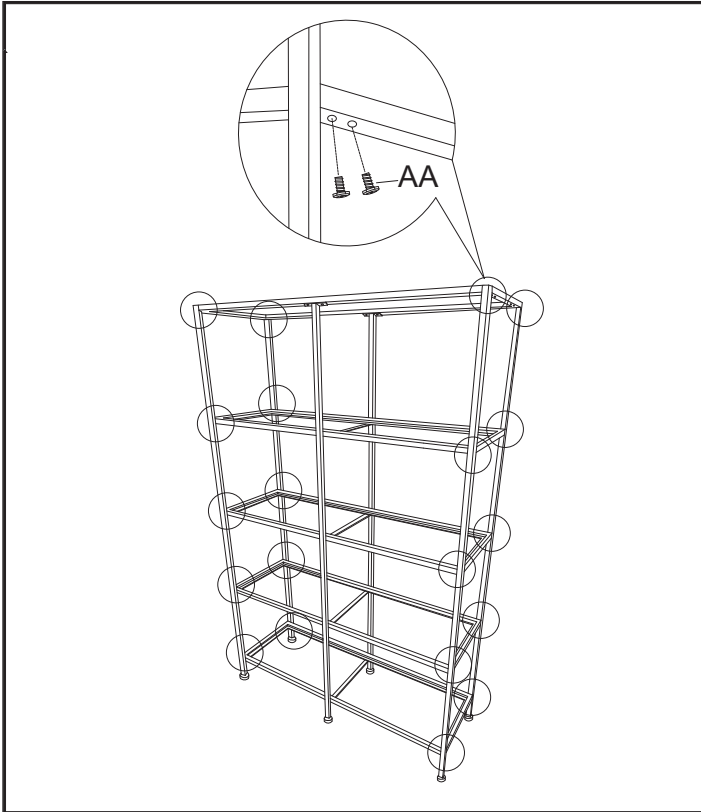
- Attach four metal legs (D) to the frames (A) and (B).



Assembly (continued)

3 Securing the shelf together

- Insert locking bolts (AA) into all frame connects to secure the shelf together.



4 Attaching glass bumpers

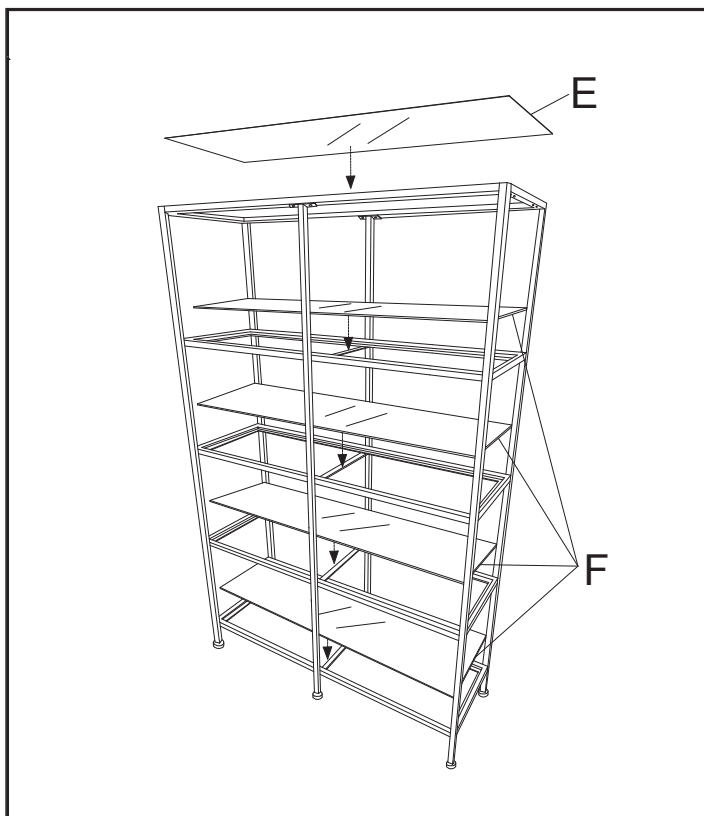
- Attach six glass bumpers (GG) to each level of the frame assembly.



Assembly (continued)

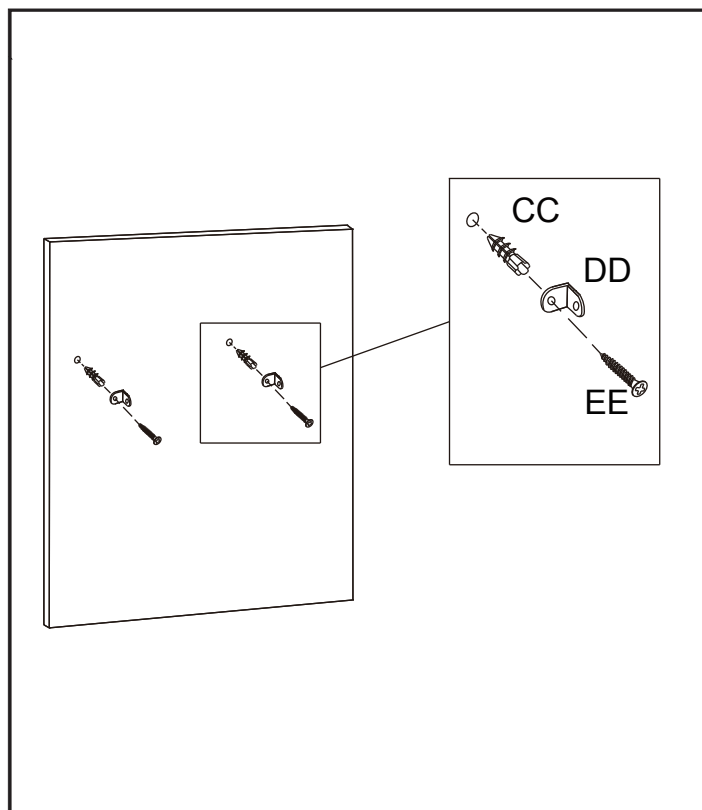
5 Placing the glass panels

- Place the glass panels (E) and (F) onto each level of the assembly.



6 Installing the anti dumping device

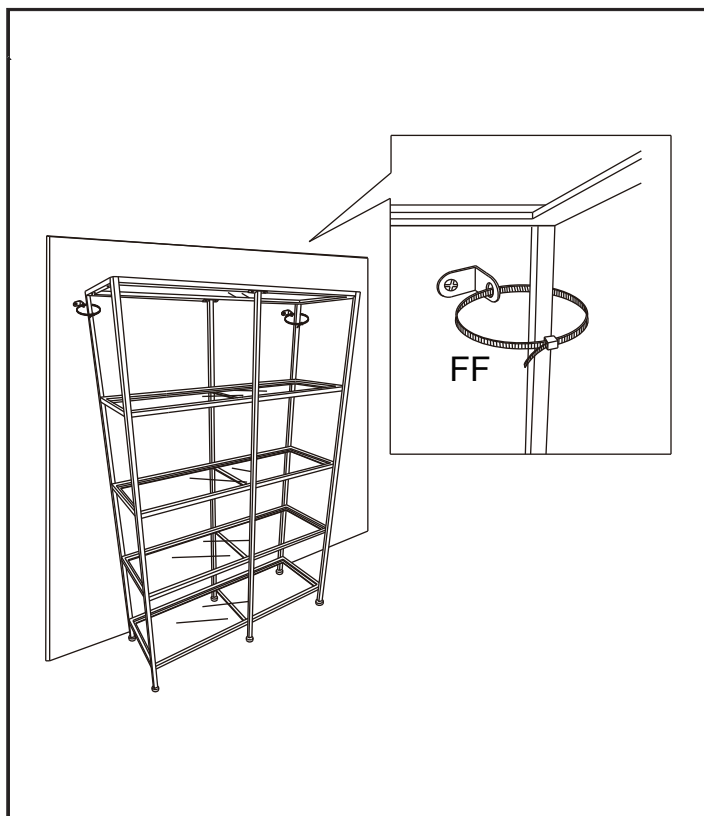
- Install the plastic wall anchors (CC) into the wall, and then fix the wall clip (DD) on the wall with screw (EE)



Assembly (continued)

7 Attaching the zip tie

- Attach the zip tie (FF) to the metal leg



Maintenance

- Blot spills immediately. Spot clean with a damp cloth and mild detergent.

Care and Cleaning

- For best results, clean with a damp cloth and dry thoroughly.
- Store in dry sheltered place when not in use.

**HOME
DECORATORS
COLLECTION®**

Questions, problems, missing parts?
Before returning to the store, call Home Decorators Collection Customer Service.
8 a.m. – 7 p.m., EST, Monday – Friday, 9 a.m. – 6 p.m., EST, Saturday

1-800-998-7021

[HOMEDEPOT.COM/HOMEDECORATORS](https://www.homedepot.com/homedecorators)

Retain this manual for future use.