



OUTDOOR FIREPIT TABLE

ITEM: 96801



OWNER'S MANUAL AND SAFETY INSTRUCTIONS

SAVE THIS MANUAL: KEEP THIS MANUAL FOR SAFETY WARNINGS, PRECAUTIONS, ASSEMBLY, OPERATING, INSPECTION, MAINTENANCE AND CLEANING PROCEDURES. WRITE THE PRODUCT'S SERIAL NUMBER ON THE BACK OF THE MANUAL NEAR THE ASSEMBLY DIAGRAM (OR MONTH AND YEAR OF PURCHASE IF PRODUCT HAS NO NUMBER)

FOR QUESTIONS PLEASE CALL OUR CUSTOMER SUPPORT: (909) 628 0880 MON-FRI 9AM TO 3PM PST

IMPORTANT SAFETY INFORMATION



GENERAL SAFETY WARNINGS

Read all safety warnings and instructions. Failure to follow the warnings and instructions may result in fire and/or serious injury. Save all warnings and instructions for future reference.

SAFETY

WARNING DO NOT use this product or any available optional equipment without first completely reading and understanding these instructions and any additional instructional material such as owner's manuals, service manuals or instruction sheets supplied with this product or optional equipment. Basic precautions **MUST** be followed to reduce the risk of fire and personal injury.

- **EXPLOSION - FIRE HAZARD:** Keep solid combustibles, such as building materials, paper or cardboard, a safe distance away from the fire pit as recommended by the instructions.
- Provide adequate clearances around air openings into the combustion chamber.
- **NEVER** use the fire pit in spaces which do or may contain volatile or airborne combustibles, or products such as gasoline, solvents, paint thinner, dust particles or unknown chemicals
- During operation, this product can be a source of ignition. Keep fire pit area clear and free from combustible materials, gasoline, paint thinner, cleaning solvents and other flammable vapors and liquids.
- **DO NOT** use fire pit in areas with high dust content. Minimum fire pit clearances from combustible materials: two (2) feet from the sides & two (2) feet from the rear, 6 feet from ceiling.
- **EXPLOSION - FIRE HAZARD:** Never store propane near high heat, open flames, pilot lights, direct sunlight, other ignition sources or where temperatures exceed 120 degrees F (49 C).
- Propane vapors are heavier than air and can accumulate in low places. **If you smell gas, leave the area immediately.**
- **NEVER** install or remove propane cylinder while fire pit is lighted, near flame, pilot lights, other ignition sources or while fire pit is hot to touch.
- Store the propane cylinder outdoors in a well ventilated space out of reach of children. Never store the propane cylinder in an enclosed area (house, garage, etc.). If fire pit is to be stored indoors, disconnect the propane cylinder for outdoor storage.
- We cannot foresee every use which may be made of our fire pit. Check with your local fire safety authority if you have questions about fire pit use. Other standards govern the use of fuel gases and heat producing products for specific uses. Your local authorities can advise you about these. If no local codes exist, follow National Fuel Gas Code, ANSI Z223.1. In Canada, installation must conform to local codes. If no local codes exist, follow the current National standards of CANADA CAN/CGA-B 149.2.
- **CARBON MONOXIDE HAZARD:** This fire pit is a combustion appliance. All combustion appliances produce carbon monoxide (CO) during the combustion process. This product is designed to produce extremely minute, non-hazardous amounts of CO if used and maintained in accordance with all warnings and instructions. **DO NOT** block air flow into or out of the fire pit.
- Carbon Monoxide (CO) poisoning produces flu-like symptoms, watery eyes, headaches, dizziness, fatigue and possibly death. You can't see it and you can't smell it. It's an invisible killer. If these symptoms are present during operation of this product get fresh air immediately!

- **FOR OUTDOOR USE ONLY.** Never use inside house, or other unventilated or enclosed areas. This fire pit consumes air (oxygen). Do not use in unventilated or enclosed areas to avoid endangering your life.
- **DO NOT** store or use gasoline or other flammable vapors and liquids in the vicinity of this or any other appliance. An LP-cylinder not connected for use shall not be stored in the vicinity of this or any other appliance.
- **CARBON MONOXIDE HAZARD:** This appliance can produce carbon monoxide which has no odor. Using it in an enclosed space can kill you. Never use this appliance in an enclosed space such as a camper, tent or home.
- Improper installation, adjustment, alteration, service or maintenance can cause property damage, injury or death. Read the installation, operation and maintenance instructions thoroughly before installing or servicing this equipment.
- California Proposition 65 Combustion by-products produced when using this product contain chemicals known to the State of California to cause cancer, birth defects, and other reproductive harm.
- **BURN HAZARD:** Never leave fire pit unattended when hot or in use. Keep out of reach of children.
- Certain materials or items, when stored under the fire pit, will be subjected to radiant heat and could be seriously damaged.
- **SERVICE SAFETY:** Keep all connections and fittings clean. Make sure propane cylinder valve outlet is clean. During set up, check all connections and fittings for leaks using soapy water. Never use a flame. Use as a heating appliance only. Never alter in any way or use with any device.
- **CAUTION** indicates an imminently hazardous situation which, if not avoided, may result in minor or moderate personal injury, or property damage.
- This product is fueled by propane gas. Propane gas is invisible, odorless, and flammable. An odorant is normally added to help detect leaks and can be described as a “rotten egg” smell. The odorant can fade over time so leaking gas is not always detectable by smell alone.
- Propane gas is heavier than air and leaking propane will sink to the lowest level possible. It can ignite by ignition sources including matches, lighters, sparks or open flames of any kind many feet away from the original leak. Use only propane gas set up for vapor withdrawal.
- Store or use propane gas in compliance with local ordinances and codes or with ANSI/NFPA 58. Turn off propane when not in use.
- **DO NOT** hang clothing or any other flammable materials from the fire pit, or place on or near the fire pit. Replace any guard or protective device removed for servicing the appliance prior to placing back in service.
- The fire pit should be inspected before use and annually by a qualified service person. More frequent cleaning may be required as necessary. It is imperative that the control compartment, burners, and circulating air passageway of the appliance be kept clean.



SAVE THESE WARNINGS

FEATURES



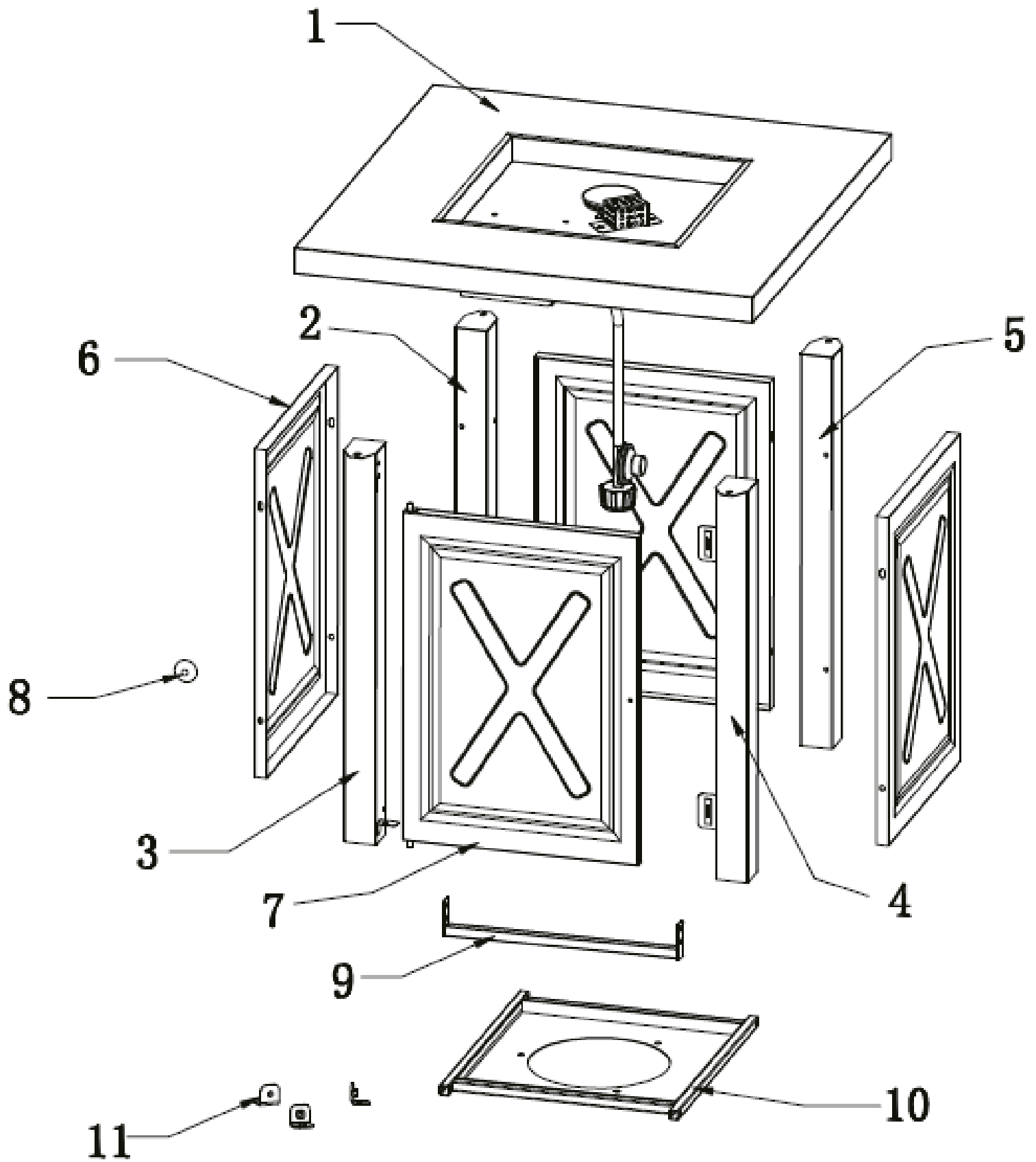
Features

- Bring the Heat – and Warmth – To your outdoor conversation space with the Fire Table
- Clear fire glass covers the burner and adds a touch of elegance
- Offering both useful functionality and contemporary appeal, the stylish patio heater features durable construction with a powder-coated bronze finish
- The heavy-duty firepit heater offers an impressive heat output of 46,000 BTUs. Mid-winter merry-making? No problem. the firepit heater delivers quiet, soothing, consistent heat--with no smoke
- Liquid propane provides a smokeless burn and plenty of heat to keep you and all of your guests warm on those mild autumn nights
- An easy access door located at the base to switch out propane
- Heating your outdoor room with an outdoor heater will extend your outdoor entertaining season and allow you to enjoy your patio or other outdoor living space for a couple of extra months or in some cases year round.
- Added safety, this fire pit comes with a thermocouple flame failure device ETL, CSA, ANSI Certified
- Outdoor used only












Features

COLOR	Hammered Bronze
FRAME MATERIAL	Steel
HEAT OUTPUT	46,000 BTU
FUEL TYPE	Propane
MINIMUM LP TANK SIZE	20LBS
BURNER SIZE	16-1/4"(W) x 16-1/4"(L)
OVERALL DIMENSIONS	30"(W) x 30"(L) x 25"(H)
CERTIFICATION	ETL/CSA/ANSI

PARTS DIAGRAM

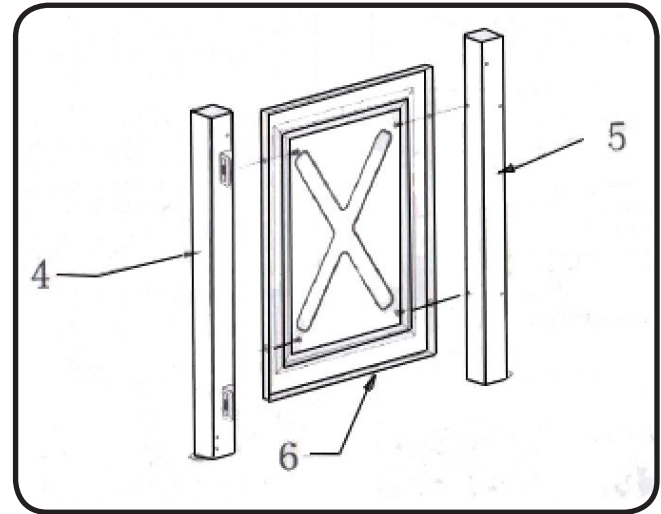


PARTS LIST

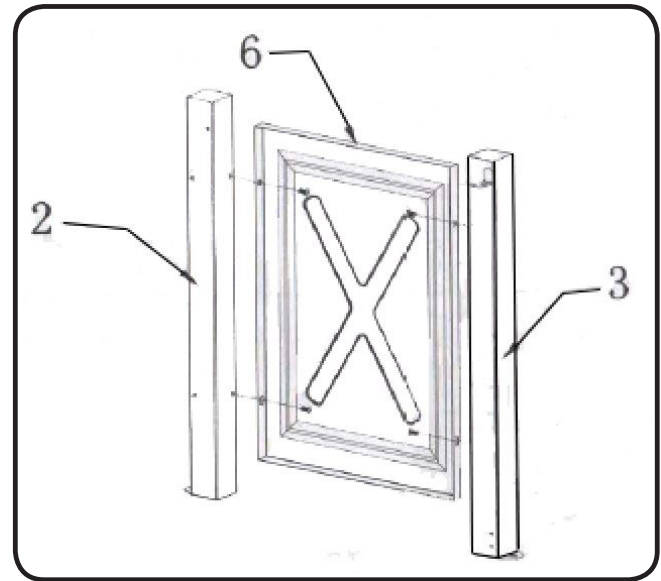
Item number	Description	Photo	Qty
1	Table		1 pcs
2	Left back leg (LB)		1 pcs
3	Left front leg (LF)		1 pcs
4	Right front leg (RF)		1 pcs
5	Right back leg (RB)		1 pcs
6	Side panel		3 pcs
7	Front panel		1 pcs
8	Knob		1 pcs
9	Beam		1 pcs
10	Bottom		1 pcs
11	Cylinder bracket		3 pcs

ASSEMBLY

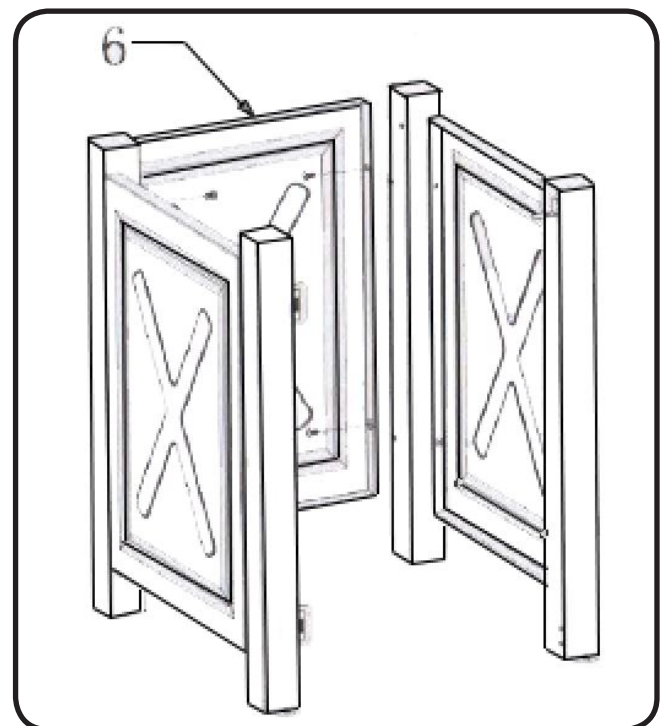
1. Attach the right front leg (4) to the side panel (6) with 4pcs M6x12 (A), repeat this step with the right back leg (5).



2. Attach the left front leg (3) to the side panel (6) with 4pcs of M6x12 screws (A), repeat this step with the left back leg (3).

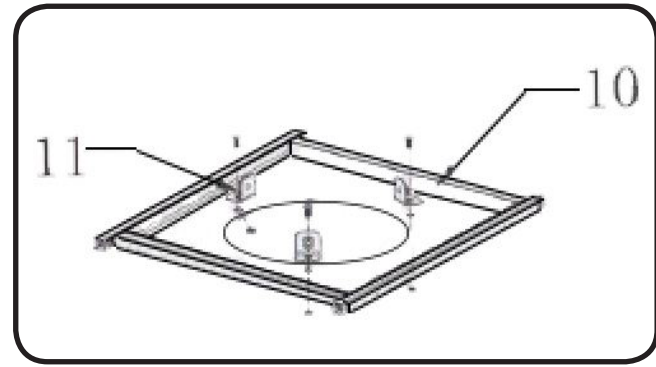


3. Attach the side panel (6) to the left back leg (2) and then the right back leg (5) with 4pcs M6x12 screws (A).

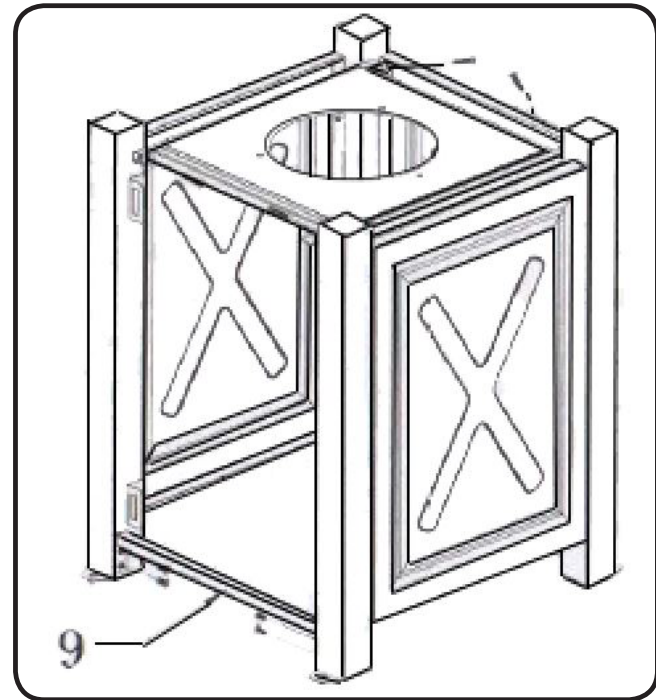


ASSEMBLY

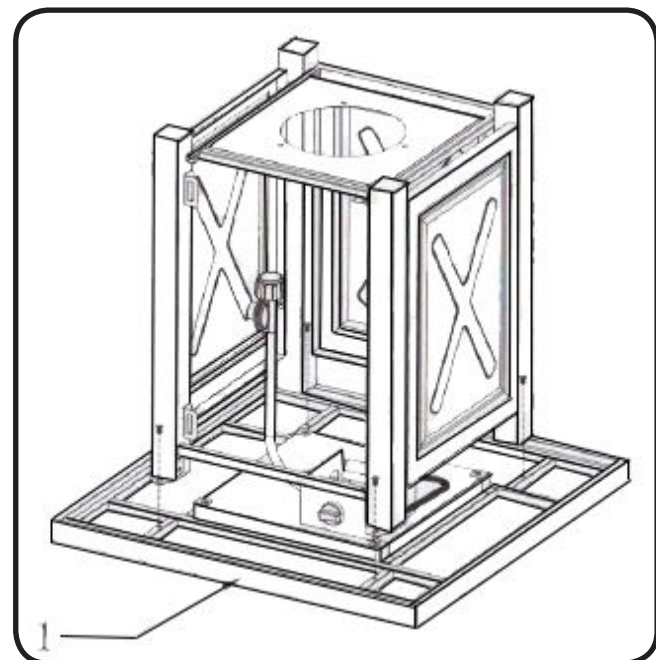
4. Attach the cylinder bracket (11) to the bottom (10) with one M6x12 screw (A) and one M6 nut (B), repeat this step with the other 2pc bracket.



5. Attach the bottom to the 4 legs with 4 M⁴x25 screws (E) and attach the beam (9) to the front legs (3 & 4) with four M6x12 screws (A).

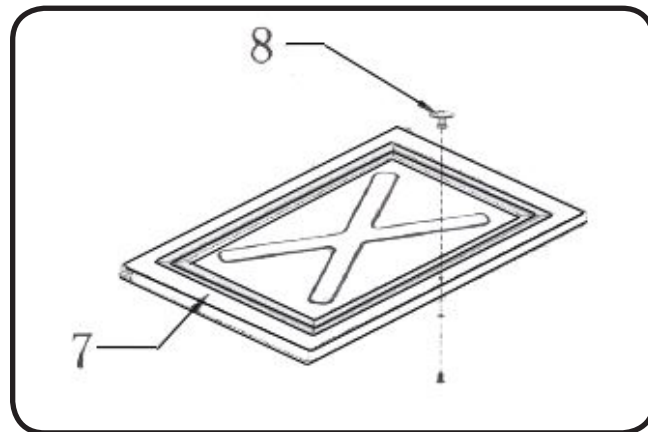


6. Put the bottom onto the table, fix it with four M6x12 screws (A).

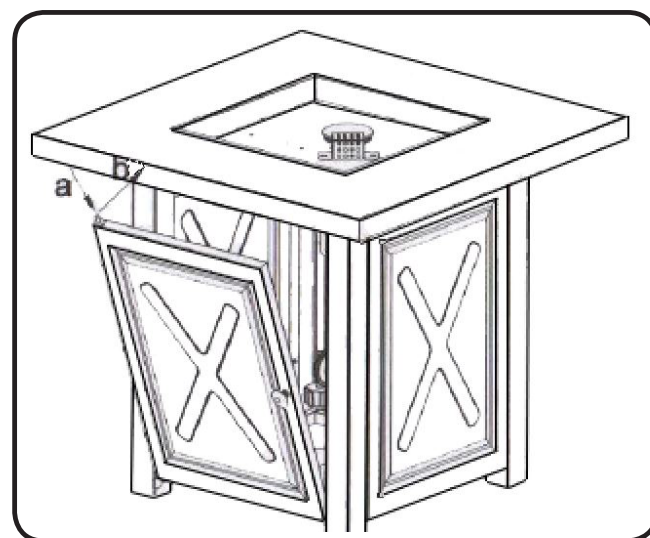


ASSEMBLY

7. Attach the knob (8) to the front panel (7) with one M4 washer (D) and one M4x8 screw (C).



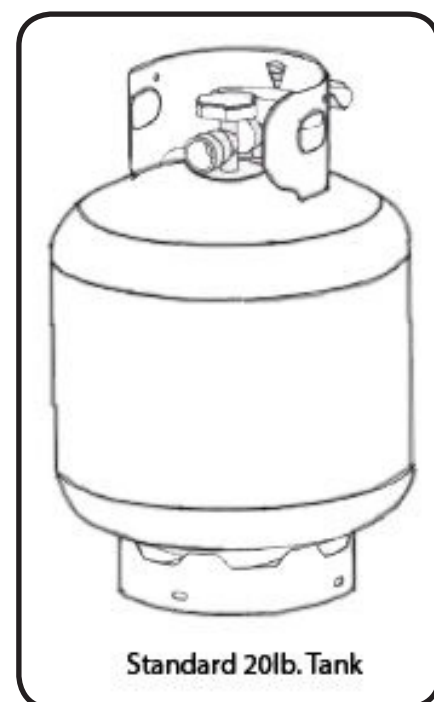
8. Turn the assembled pieces upside down and connect the front panel with the left front legs (3).



9. Connect the hose and regulator to the cylinder. The propane gas and cylinder are sold separately. Use a standard 20lb. propane cylinder only. Use this heater only with a propane vapor withdrawal supply system. Storage of an appliance indoors is permissible only if the cylinder is disconnected and removed from the appliance. A cylinder must be stored outdoors in a well ventilated area out of reach of children. A disconnected cylinder must have dust caps tightly installed and must not be stored in a building, garage or any other enclosed area. The maximum outlet gas supply pressure" 250psi, the minimum inlet gas supply pressure: 5psi.

The minimum hourly rating of 10000 BTU is required for a heater for automatic operation at ratings less than full input rating.

The pressure regulator and hose assembly supplied with the appliance must be used. The installation must conform with local codes, with national fuel gas code ANS Z223.1/NFPA54, natural gas and propane installation code CSA V149.1, or propane and handling code B149.2.



ASSEMBLY

A dented, rusted or damaged propane cylinder may be hazardous and should be checked by the cylinder supplier. NEVER use a propane cylinder with a damaged valve connection.

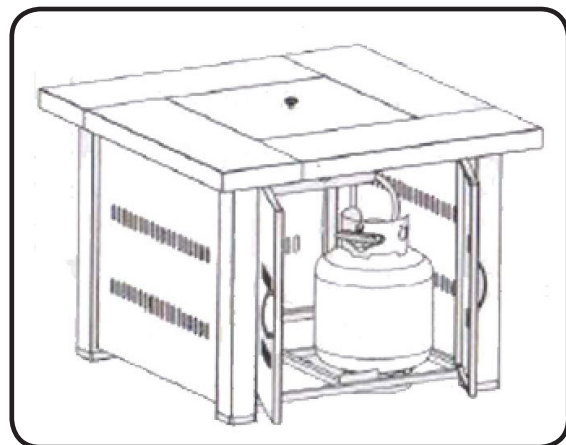
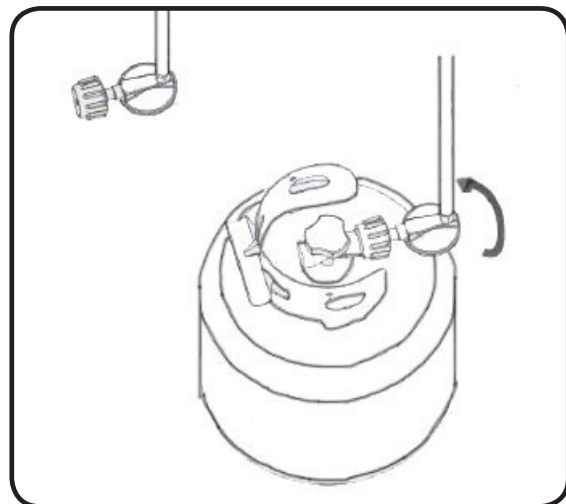
The propane cylinder must be constructed and marked in accordance with the specifications for LP gas cylinders of the U.S. Department of Transportation (DOT), or the standards for cylinders, spheres and tubes for transportation of dangerous goods and commission, CAN/CSA-B339.

The cylinder must have a listed overfilling prevention device. The cylinder must have a connection device compatible with the connection for the appliance. The cylinder must also include a collar to protect the cylinder valve. NEVER connect an unregulated propane cylinder to the heater. Attach the regulator to the cylinder. Complete attachment. Install cylinder.

DO NOT store a spare LP gas cylinder under or near this appliance.

NEVER fill the cylinder beyond 80% full.

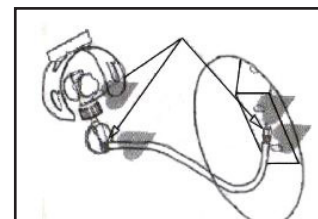
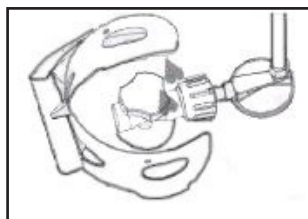
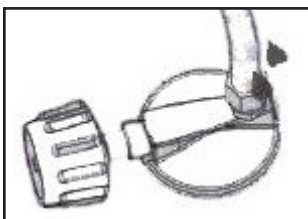
Place the dust cap on the cylinder valve outlet whenever the cylinder is not in use. Only install the type of dust cap on the cylinder valve that is provided with the cylinder valve. Other type of caps or plugs may result in leakage of propane.



ATTENTION: THIS PRODUCT IS NOT FOR COMMERCIAL USE. RESIDENTIAL USE ONLY.

LEAK CHECK

- Perform all leak tests outdoors.
- Extinguish all open flames.
- **NEVER** leak test while smoking
- **DO NOT** use the fire pit until all connections have been leak tested and do not leak.



1. Make 2-3oz of leak check solution (one part dish soap and three parts water)
2. Apply several drops of solution where the hose attaches to the regulator.
3. Apply several drops of solution where the regulator connects to the cylinder.
4. Make sure all fire pit and light valves are OFF.
5. Turn the cylinder ON.

If NO bubbles appear at any connection, the connections are secure.

NOTE: Whenever gas connections are loosened or removed, you must perform a complete leak test.

OPERATION

CARBON MONOXIDE HAZARD: For outdoor use ONLY. NEVER use inside the house or other unventilated or enclosed areas. This fire pit consumes air (oxygen). DO NOT use in unventilated or enclosed areas to avoid endangering your life.

CAUTION: DO NOT attempt to operate until you have read and understand all General Safety Information in this manual and all assembly is complete and leak checks have been performed.

BEFORE TURNING THE GAS SUPPLY

1. Your fire pit was designed and approved for outdoor use only. DO NOT use it inside a building, garage or any other enclosed area.
2. Make sure surrounding areas are free of combustible materials, gasoline and other flammable vapors or liquids.
3. Ensure that there is no obstruction to air ventilation. Be sure all gas connections are tight and there are no leaks.
4. Be sure the cylinder cover is clear of debris. Be sure any component removed during assembly or servicing is replaced and fastened prior to starting.

BEFORE LIGHTING

1. The fire pit should be thoroughly inspected before each use and by a qualified service person at least annually. If relighting a hot fire pit, always wait at least 5 minutes.
2. Inspect the hose assembly for evidence of excessive abrasion, cuts or wear. Suspected areas should be leak tested. If the hose leaks, it must be replaced prior to operation. Only use the replacement hose assembly specified by the manufacturer.

LIGHTING

1. Turn the control knob to the OFF position.
2. Fully open the LP cylinder valve. Note: for initial start or after any cylinder change, hold the control knob IN for 2 minutes to purge air from gas lines before proceeding.
3. Push in the gas control knob and turn it counter-clockwise to IGNITOR to light the fire pit. If needed keep depressing and turning the control knob counter-clockwise until the heater lights. (You should hear a clicking noise).
4. After the fire pit lights, release the control knob. Push in and turn the control knob to the HIGH position, then release the control knob. If you want to lower the temperature, push in the control knob and turn counter-clockwise to the LOW position.

NOTE: If the burner fails to remain lit, all valves should be closed and a waiting period of at least 5 minutes should pass before attempting to light.

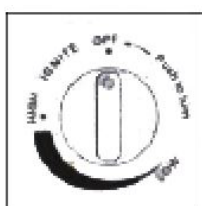


Figure A

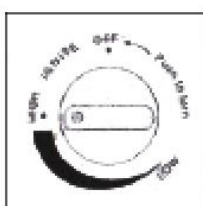


Figure B

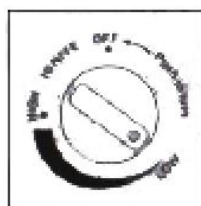
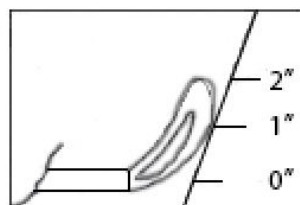
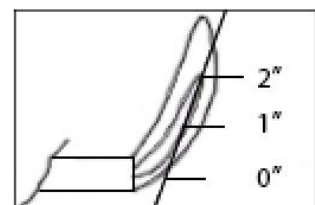


Figure C



Normal



Abnormal

FOR YOUR SAFETY: Be careful when attempting to manually ignite this fire pit. Holding in the control knob for more than 10 seconds before igniting the gas will cause a ball of flame upon ignition.

WHEN FIRE PIT IS ON

Burner will display tongues of blue and yellow flame. The flames should not be yellow or produce thick black smoke, indicating an obstructing of airflow through the burners. The flame should be blue with straight yellow tips. If excessive yellow flame is detected, turn the heater off and consult the "Troubleshooting" portion of this manual.

RE-LIGHTING

1. Turn the control knob to OFF.
2. Repeat the lighting steps as described above.

SHUTTING DOWN THE FIRE PIT

1. To extinguish burner, depress the control knob and continue to turn it clockwise to OFF.
2. Turn the cylinder valve clockwise to OFF and disconnect regulator when the heater is not in use.

SHUTTING DOWN THE FIRE PIT

- I am familiar with entire owner's manual and understand all precautions noted.
- All components are properly assembled, intact and operable.
- No alterations have been made.
- All gas connections are secure and do not leak.
- Wind velocity is below 10MPH.
- Fire pit is outdoors and outside of any enclosure.
- There is adequate fresh air and ventilation.
- Fire pit is away from any flammable liquids or gasoline.
- Fire pit is away from windows, air intake openings, sprinklers or other water sources.
- Fire pit is at least 24" away from any combustible materials.
- Fire pit is on a hard, level surface.
- All burner passages are clear.
- All air circulation passages are clear.

AFTER OPERATION:

1. Gas control is in the OFF position.
2. The Gas tank valve is OFF.
3. Disconnect the Gas line.

To enjoy years of performance from your fire pit, make sure you perform the following maintenance on a regular basis.

KEEP EXTERIOR SURFACES CLEAN: Use warm, soapy water for cleaning. NEVER use flammable or corrosive cleaning agents.

1. While cleaning your unit, be sure to keep the area around the burner dry at all times. DO NOT submerge the control valve assembly. If the gas control is submerged, DO NOT use it. It must be replaced. DO NOT obstruct the flow of combustion and ventilation air. Keep the ventilation opening(s) of the cylinder enclosure

2. Air flow must not be obstructed. Keep controls, burner and circulating air passageways clean. Signs of possible blockage include:

- Gas odor with extreme yellow tipping of the flame.
- Fire pit does not reach the desired temperature.
- Fire pit glow is excessively uneven.
- Fire pit makes popping noises.
- Spiders and insects can nest in burners or orifices. This can damage the fire pit and render it unsafe for use. Clean the burner holes using a heavy duty pipe cleaner. Compressed air may help clear away smaller particles.
- Carbon deposits may create a fire hazard. Clean the burner with warm soapy water if any carbon deposits develop.



NOTE: In a salt air environment (like near the ocean), corrosion occurs more quickly than normal. Frequently check for corroded areas and repair them promptly.

TIP: Use high quality automobile wax to help maintain the appearance of your fire pit. Apply to exterior surfaces only. **DO NOT** apply to the burner.

STORAGE: Between uses

- Turn the control knob OFF
- Disconnect LP source and move to a secure, well-ventilated location outdoors.
- Store the fire pit upright in an area sheltered from direct contact with inclement weather.
- If desired, cover the fire pit to protect the exterior surfaces and to help prevent the build-up in air passages. **NEVER** leave the LP cylinder exposed to direct sunlight or excessive heat.

SERVICE: Only a qualified service person should repair gas passages and associated components.

CAUTION: Always allow fire pit to cool down completely before attempting service.

TROUBLESHOOTING AND WARRANTY

PROBLEM	POSSIBLE CAUSE	POSSIBLE SOLUTION
BURNER WON'T LIGHT	<ol style="list-style-type: none"> 1. Propane cylinder is frosted over 2. Blockage in orifice 3. Control knob is not in ON position 	<ol style="list-style-type: none"> 1. Wait until the propane cylinder warms up and becomes unfrosted 2. Clear blockage 3. Turn control knob to ON
BURNER FLAME IS LOW	<ol style="list-style-type: none"> 1. Gas pressure is low 2. Outdoor temperature is less than 40F and tank is less than 1/4 full 3. Control knob is fully ON 	<ol style="list-style-type: none"> 1. Turn the cylinder valve to OFF and replace cylinder 2. Use a full cylinder 3. Check burner and orifices for blockage
CARBON BUILD-UP AND/OR THICK BLACK SNOKE	<ol style="list-style-type: none"> 1. Dirt or film on burner 2. Blockage in burner 	<ol style="list-style-type: none"> 1. Clean the burner 2. Remove blockage and clean the burner inside and outside.

PLEASE READ THE FOLLOWING CAREFULLY

THE MANUFACTURER AND/OR DISTRIBUTOR HAS PROVIDED THE PARTS LIST AND ASSEMBLY DIAGRAM IN THIS MANUAL AS A REFERENCE TOOL ONLY. NEITHER THE MANUFACTURER OR DISTRIBUTOR MAKES ANY REPRESENTATION OR WARRANTY OF ANY KIND TO THE BUYER THAT HE OR SHE IS QUALIFIED TO MAKE ANY REPAIRS TO THE PRODUCT, OR THAT HE OR SHE IS QUALIFIED TO REPLACE ANY PARTS OF THE PRODUCT. IN FACT, THE MANUFACTURER AND/OR DISTRIBUTOR EXPRESSLY STATES THAT ALL REPAIRS AND PARTS REPLACEMENTS SHOULD BE UNDERTAKEN BY CERTIFIED AND LICENSED TECHNICIANS, AND NOT BY THE BUYER. THE BUYER ASSUMES ALL RISK AND LIABILITY ARISING OUT OF HIS OR HER REPAIRS TO THE ORIGINAL PRODUCT OR REPLACEMENT PARTS THERETO, OR ARISING OUT OF HIS OR HER INSTALLATION OF REPLACEMENT PARTS THERETO.

Record Product's Serial Number Here: _____

Note: If product has no serial number, record month and year of purchase instead.

Note: Some parts are listed and shown for illustration purposes only and are not available individually as replacement parts.



Questions, problems, missing parts?

Before returning to your retailer, our exceptional customer service is available.

Call us Tel: **909 628 0880**

Hour : **9am To 3pm PST (Monday to Friday)**

Email : **customer@xtremepowerusa.com**

PRODUCT MADE IN CHINA