



see what Delta can do™

# Foundations® Toilet C43913▲

## STANDARD SPECIFICATIONS:

- Vitreous China
- 29 9/32" (744 mm) in length, 17 1/2" (445 mm) in width, 30 13/16" (783 mm) in height.
- Elongated bowl with chair height design 16 1/2" (419 mm) to top of the bowl.
- 12" (305 mm) rough-in.
- High efficiency 1.28 gpf (4.8 lpf).
- 3" (76 mm) flush valve.
- 2" (51mm) fully glazed trapway.
- Includes polished chrome trip lever.

## WARRANTY

- Chinaware – Lifetime limited warranty; or for commercial purchasers, 10 years for multi-family residential (apartments and condominiums) and 5 years for all other commercial uses, in each case from the date of purchase.
- Mechanical Parts – 1 year from the date of purchase.
- Electronic Parts and Batteries (if applicable) – 5 years from the date of purchase; or for commercial purchasers, 1 year from the date of purchase. No warranty is provided on batteries.
- Toilet Seats – 1 year from the date of purchase. For commercial purchasers no warranty is given.

| Technical Information             |                                       |
|-----------------------------------|---------------------------------------|
| Fixture configuration             | Two-piece, elongated bowl             |
| Water per flush                   | 1.28 gpf (4.8 lpf)                    |
| Passageway                        | 2" (51mm)                             |
| Water area                        | 9 1/16" X 6 5/32"<br>(230 mm x156 mm) |
| Seat post hole centers            | 5 1/2" (140 mm)                       |
| Included Components:              |                                       |
| Tank Assembly                     | RP81873▲                              |
| Tank Cover                        | RP82448▲                              |
| Flush Lever                       | RP82450▲                              |
| Mounting Hardware – Bowl to floor | RP100489                              |
| Mounting Hardware – Tank to bowl  | RP82451                               |
| Seat Assembly                     | RP92086▲                              |

▲ Designate proper finish suffix (-WH for white)



## COMPLIES WITH

- ADA / ANSI A117.1
- ASME A112.19.2 / CSA B45.1
- ASME A112.19.5
- EPA WaterSense® High Efficiency Toilet
- CalGreen

## Installation Notes

- Install this product according to the installation guide.
- This model complies with the American Disabilities Act (ADA) when installed per the requirements of the Accessibility Guidelines, Section 604 Water Closets, of the Act, which includes the installation of an open front seat (not included).
- This model complies with CSA B651 when installed per Clause 4.3.6 of the standard.



see what Delta can do™

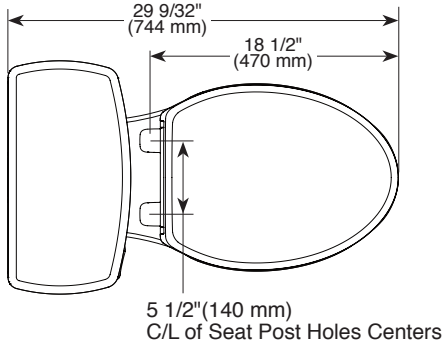
# Foundations® Toilet C43913▲



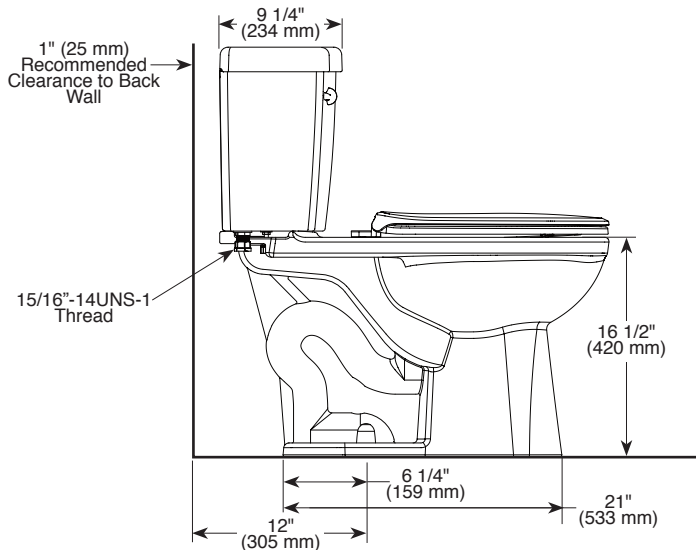
Submitted Model No.: \_\_\_\_\_

Specific Features: \_\_\_\_\_

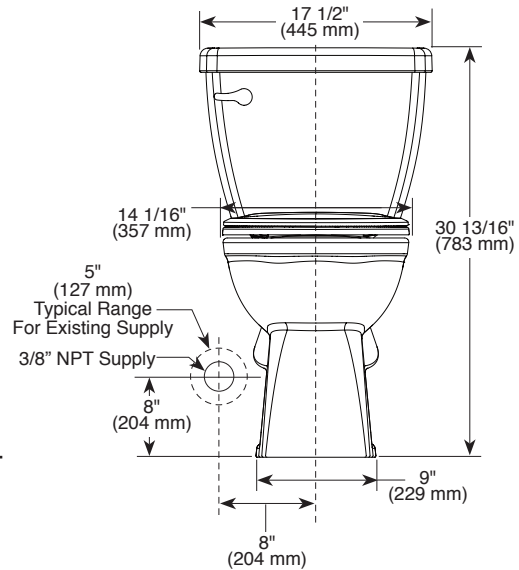
### Top down view



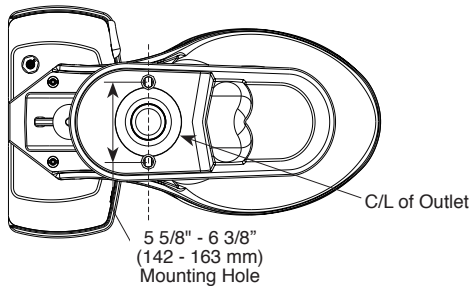
### Left view



### Front view



### Foot Print



▲ Designate proper finish suffix (-WH for white)

Delta reserves the right (1) to make changes in specifications and materials, and (2) to change or discontinue models, both without notice or obligation. Dimensions are for reference only. See full-line pricebook or [www.deltatoilet.com](http://www.deltatoilet.com) for finish options and product availability.