



FREESTANDING OUTDOOR GRILL

Installation Instructions and Use & Care Guide

For questions about features, operation/performance, parts, accessories or service, call: **1-877-373-2301**
or visit our website at www.Kitchenaidgrills.com

ASADOR AUTÓNOMO PARA EXTERIORES

Instrucciones de instalación y Manual de uso y cuidado

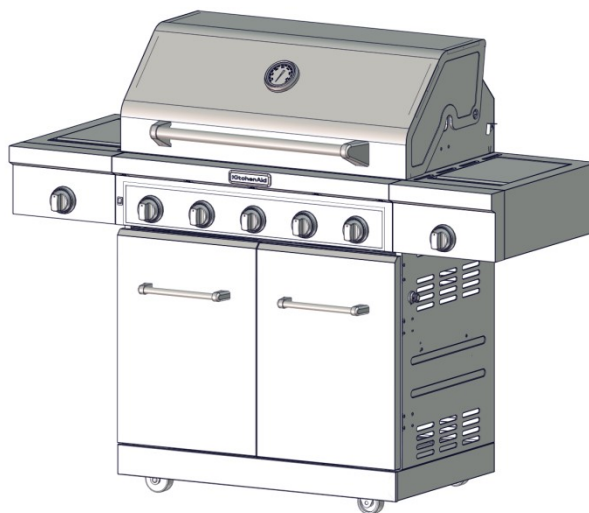
Para consultas respecto a características, funcionamiento, rendimiento, piezas, accesorios o servicio técnico, llame al: **1-877-373-2301**
o visite nuestro sitio de internet en www.Kitchenaidgrills.com

COMPTOIR POUR GRIL D'EXTÉRIEUR AUTOPORTANT

Instructions d'installation et Guide d'utilisation et d'entretien

Pour des questions à propos des caractéristiques, du fonctionnement/rendement, des pièces, des accessoires ou du service, composer le: **1-877-373-2301**
ou visiter notre site web www.Kitchenaidgrills.com

Table of Contents/Índice/Table des matières..... 2



Keep this manual for future reference.

Conserve el presente manual para consultas futuras.

Conserver ce manuel à titre de référence ultérieure.



TABLE OF CONTENTS

OUTDOOR GRILL SAFETY	3	OUTDOOR GRILL USE	32
PACKAGE CONTENT LIST	5	Using Your Outdoor Grill	32
ASSEMBLY INSTRUCTIONS	6	Using Your Side Burner and Sear Burner.....	34
INSTALLATION REQUIREMENTS	24	TIPS FOR OUTDOOR GRILLING	35
Location Requirements.....	24	Cooking Methods	35
Product Dimensions.....	24	Grilling Chart	36
Gas Supply Requirements.....	25	OUTDOOR GRILL CARE	38
Gas Connection Requirements.....	25	Replacing the Igniter Battery	38
Make Gas Connection	27	General Cleaning	38
GAS CONVERSION	28	TROUBLE SHOOTING	40
Tools and Parts for Gas Conversion	28	ASSISTANCE	40
Conversion from LP Gas to Natural Gas.....	28	Accessories.....	40
Make Gas Connection.....	29	WARRANTY	41
Checking and Adjusting Burners.....	31	REPLACEMENT PARTS	88

ÍNDICE

SEGURIDAD DEL ASADOR PARA EXTERIORE	43	USO DEL ASADOR PARA EXTERIORES	54
LISTA DE CONTENIDO DEL PAQUETE	5	Cómo usar el asador para exteriores	54
INSTRUCCIONES DE MONTAJE	6	Uso del mechero lateral y secador.....	56
REQUISITOS DE INSTALACIÓN	45	CONSEJOS PARA ASAR AL AIRE LIBRE	57
Requisitos de ubicación	45	Métodos de cocción	57
Medidas del producto	46	Cuadro para asar	58
Requisitos del suministro de gas	46	CUIDADO DEL ASADOR PARA EXTERIORES	60
Requisitos para la conexión de gas	47	Cómo reemplazar la batería del encendedor	60
Conexión del suministro de gas	48	Limpieza general	60
CONVERSIONES DE GAS	49	SOLUCIÓN DE PROBLEMAS	62
Herramientas y piezas para la conversión de gas	49	ASISTENCIA	62
Conversión de gas LP a gas natural	49	GARANTÍA	63
Revise y regule los quemadores	52	PIEZAS DE REPUESTO	90

TABLE DES MATIÈRES

SÉCURITÉ DU GRIL D'EXTÉRIEUR	65	UTILISATION DU GRIL D'EXTÉRIEUR	76
LISTE DES PIÈCES DE L'EMBALLAGE	5	Utilisation du gril d'extérieur	76
CONSIGNES POUR L'ASSEMBLAGE	6	Utilisation de votre brûleur latéral/marquand.....	78
EXIGENCES D'INSTALLATION	67	CONSEILS POUR L'UTILISATION DU GRIL	
Exigences d'emplacement	67	D'EXTÉRIEUR	79
Dimensions du produit	67	Méthodes de cuisson	79
Spécifications de l'alimentation en gaz	68	Tableau de cuisson au gril	80
Exigences concernant le raccordement au gaz.....	69	ENTRETIEN DU GRIL D'EXTÉRIEUR	82
Raccordement au gaz.....	70	Remplacement de la pile de l'allumeur	82
CONVERSIONS POUR CHANGEMENT DE GAZ	71	Nettoyage général	82
Outils et pièces pour conversion de gaz	71	DÉPANNAGE	84
Conversion de propane à gaz naturel	71	ASSISTANCE	84
Raccordement au gaz	72	GARANTIE	85
Contrôle et réglage des brûleurs	75	PIÈCES DE RECHANGE	92

OUTDOOR GRILL SAFETY

Your safety and the safety of others are very important.

We have provided many important safety messages in this manual and on your appliance. Always read and obey all safety messages.



This is the safety alert symbol.

This symbol alerts you to potential hazards that can kill or hurt you and others.

All safety messages will follow the safety alert symbol and either the word "DANGER" or "WARNING." These words mean:

 **DANGER**

You can be killed or seriously injured if you don't immediately follow instructions.

 **WARNING**

You can be killed or seriously injured if you don't follow instructions.

All safety messages will tell you what the potential hazard is, tell you how to reduce the chance of injury, and tell you what can happen if the instructions are not followed.



DANGER

If you smell gas:

1. Shut off gas to the appliance.
2. Extinguish any open flame.
3. Open lid.
4. If odor continues, keep away from the appliance and immediately call your gas supplier or your fire department.



WARNING

1. Do not store or use gasoline or other flammable liquids or vapors in the vicinity of this or any other appliance.
2. An LP cylinder not connected for use shall not be stored in the vicinity of this or any other appliance.

State of California Proposition 65 Warnings:

WARNING: To operate, this equipment requires the use of propane gas, which contains the chemical Benzene which is known to the State of California to cause cancer and other reproductive harm.

WARNING: This product contains one or more chemicals known to the State of California to cause cancer.

WARNING: This product contains one or more chemicals known to the State of California to cause birth defects or other reproductive harm.

In the State of Massachusetts, the following installation instructions apply:

- Installations and repairs must be performed by a qualified or licensed contractor, plumber, or gasfitter qualified or licensed by the State of Massachusetts.
- If using a ball valve, it shall be a T-handle type.
- A flexible gas connector, when used, must not exceed 3 feet.

IMPORTANT: This grill is manufactured for outdoor use only. For grills that are to be used at elevations above 2,000 ft (609.6 m) orifice conversion is required. See "Gas Supply Requirements" section. It is the responsibility of the installer to comply with the minimum installation clearances specified on the model/serial rating plate. The model/serial rating plate for freestanding models can be found on the left-hand cabinet door.

IMPORTANT SAFETY INSTRUCTIONS

WARNING: To reduce the risk of fire, electrical shock, injury to persons, or damage when using the outdoor cooking gas appliance, follow basic precautions, including the following:

- Do not install portable or built-in outdoor cooking gas appliances in or on a recreational vehicle, portable trailer, boat or in any other moving installation.
- Always maintain minimum clearances from combustible construction, see “Location Requirements” section.
- The outdoor cooking gas appliance shall not be located under overhead unprotected combustible construction.
- This outdoor cooking gas appliance shall be used only outdoors and shall not be used in a building, garage, or any other enclosed area.
- Keep any electrical supply cord and fuel supply hose away from any heated surfaces.
- Keep outdoor cooking gas appliance area clear and free from combustible material, gasoline and other flammable vapors and liquids.
- Do not obstruct the flow of combustion and ventilation air. Keep the ventilation openings of the cylinder enclosure free and clear from debris.
- Open the cabinet door and inspect the gas cylinder supply hose before each use of the outdoor cooking gas appliance. If the hose shows excessive abrasion or wear, or is cut, it **MUST** be replaced before using the outdoor cooking gas appliance. Contact your dealer and use only replacement hoses specified for use with the outdoor cooking gas appliance.
- Visually check the burner flames. They should be blue. Slight yellow tipping is normal for LP gas. The flames should be approximately 1" (2.5 cm) high.
- Check and clean burner/venturi tube for insects and insect nest. A clogged tube can lead to fire under the outdoor cooking gas appliance.



- The LP gas supply cylinder to be used must be:
 - constructed and marked in accordance with the Specification for LP Gas cylinders of the U.S. Department of Transportation (DOT) or the National Standard of Canada, CAN/CSA-b339, Cylinders, Spheres, and Tubes for Transportation of Dangerous Goods; and Commission.
 - provided with a listed overfilling prevention device.
 - provided with a cylinder connection device compatible with the connection for outdoor cooking gas appliances.
- Always check connections for leaks each time you connect and disconnect the LP gas supply cylinder. See “Installation Instructions” section.
- When the outdoor cooking gas appliance is not in use, the gas must be turned off at the supply cylinder.
- Storage of an outdoor cooking gas appliance indoors is permissible only if the cylinder is disconnected and removed from the outdoor cooking gas appliance.
- Cylinders must be stored outdoors and out of the reach of children and must not be stored in a building, garage, or any other enclosed area.
- The pressure regulator and hose assembly supplied with the outdoor cooking gas appliance must be used. A replacement pressure regulator and hose assembly specific to your model is available from your outdoor cooking gas appliance dealer.
- Gas cylinder must include a collar to protect the cylinder valve.
- For appliances designed to use a CGA791 Connection: Place a dust cap on cylinder valve outlet whenever the cylinder is not in use. Only install the type of dust cap on the cylinder valve outlet that is provided with the cylinder valve. Other types of caps or plugs may result in leakage of propane.

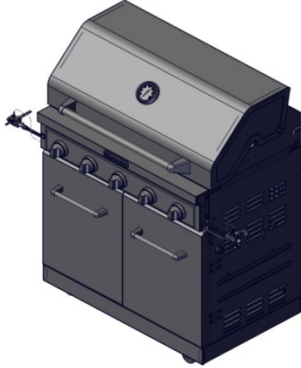
If the following information is not followed exactly, a fire causing death or serious injury may occur.

- Do not store a spare LP gas cylinder under or near this outdoor cooking gas appliance.
- Never fill the cylinder beyond 80 percent full.

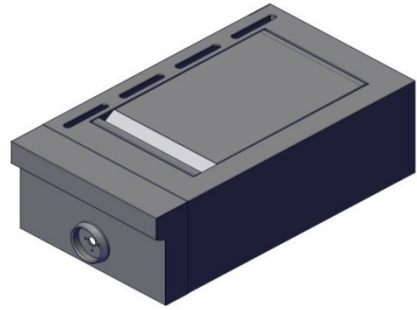
SAVE THESE INSTRUCTIONS

Package parts List
Lista de contenido del paquete
Liste des pièces de l'emballage

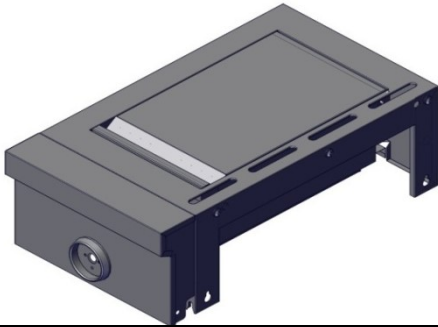
1



2



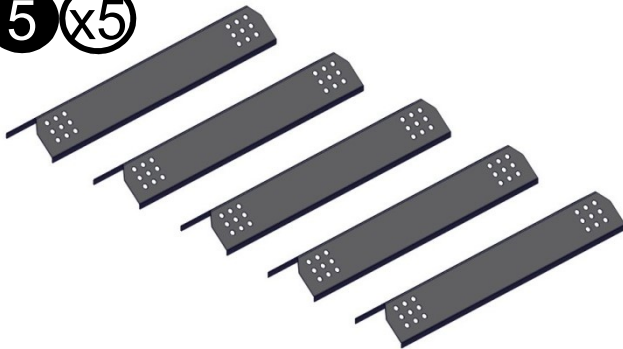
3



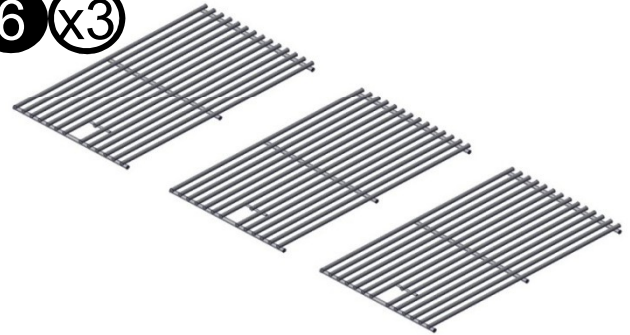
4



5 x5



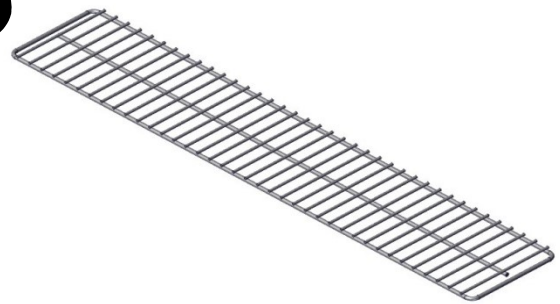
6 x3



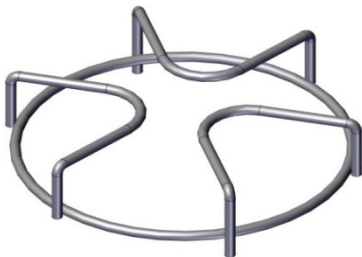
7



8



9

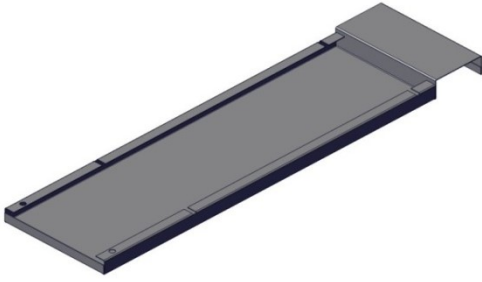


10 x2

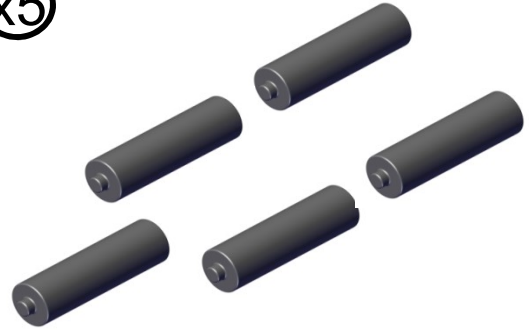


Package parts List
Lista de contenido del paquete
Liste des pièces de l'emballage

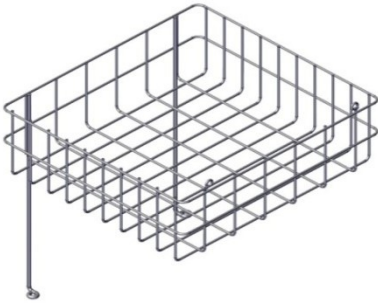
11



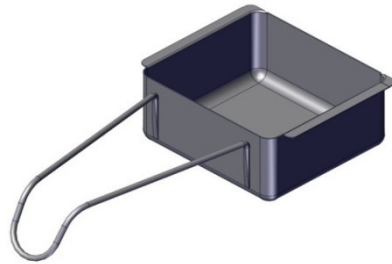
12 (x5)



13

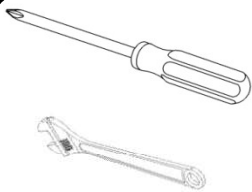


14



ASSEMBLY INSTRUCTIONS/INSTRUCCIONES DE ENSAMBLAJE/CONSIGNES POUR L'ASSEMBLAGE

Tools Needed / Herramientas necesarias/ Outillage Requis



Some parts come with Screws pre-installed. Loosen and tighten for final assembly.

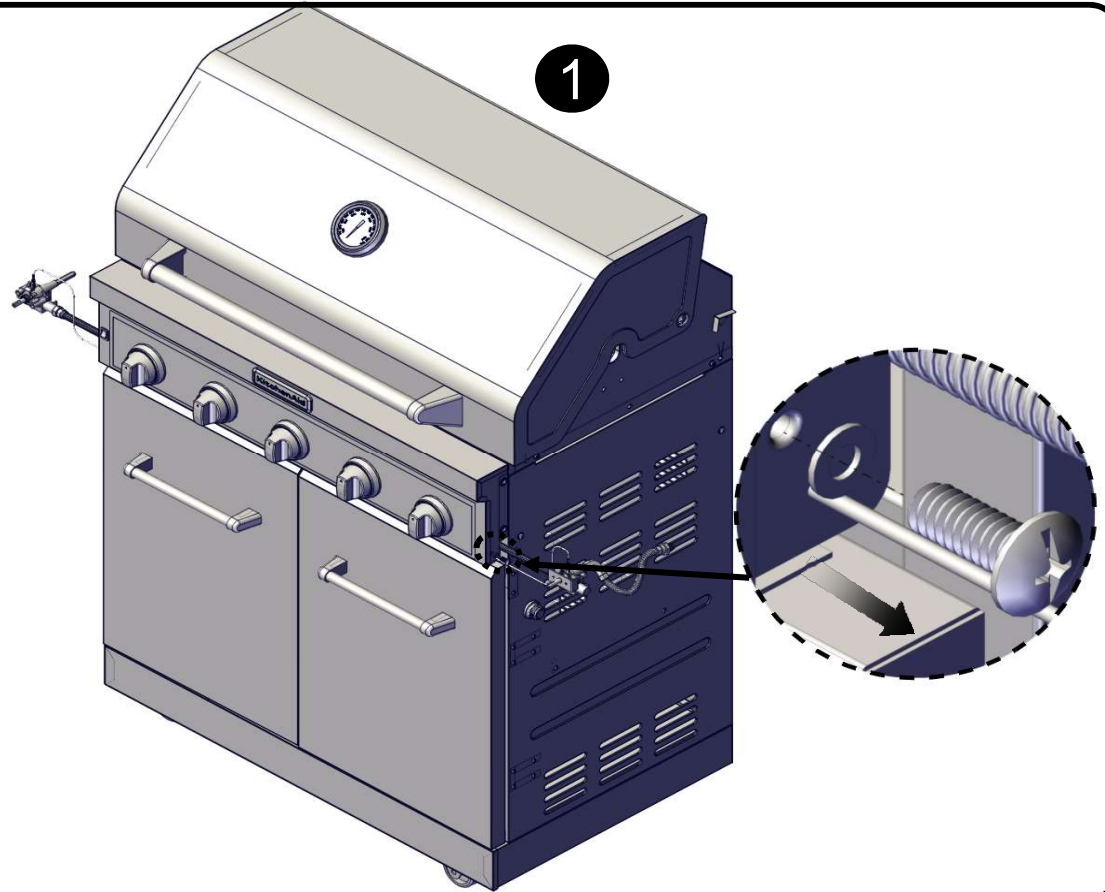


Algunas partes vienen con los tornillos pre instalados. Afloje y apriete para el ensamble final.

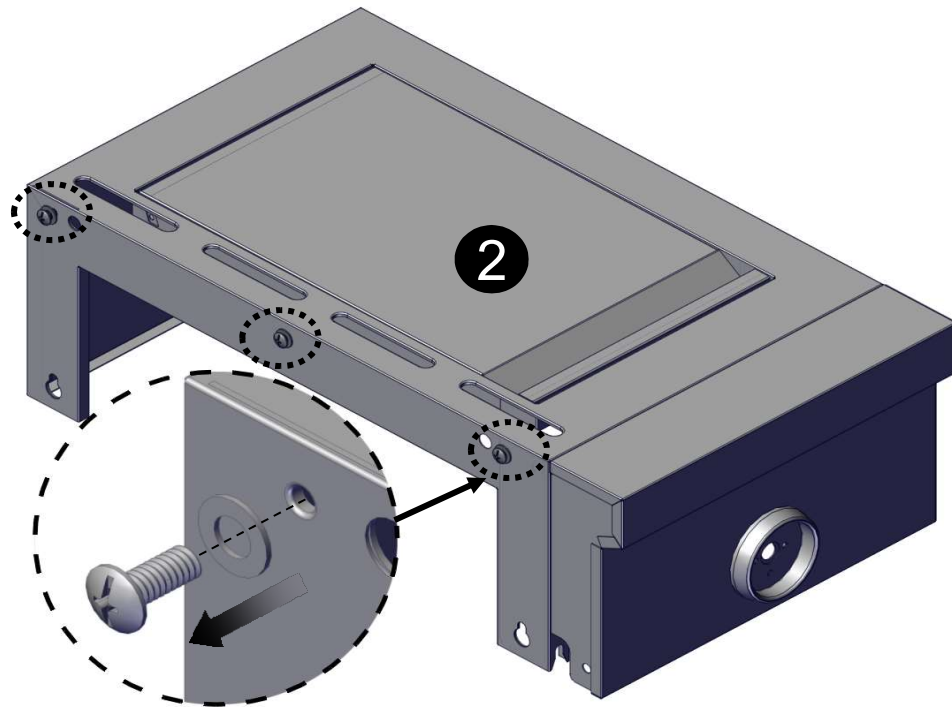


Certaines pièces sont livrées avec les vis pré-installées. Desserrez et resserrez pour l'assemblage final.

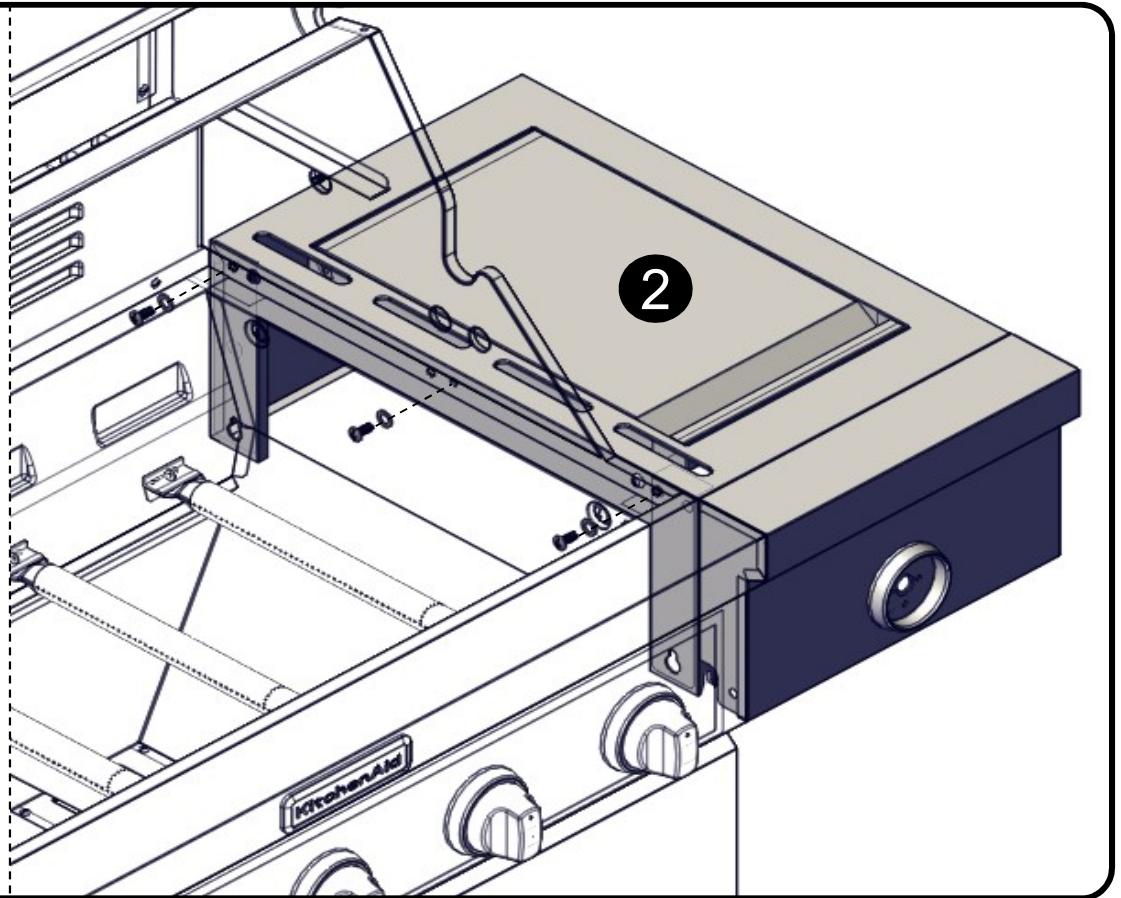
1.



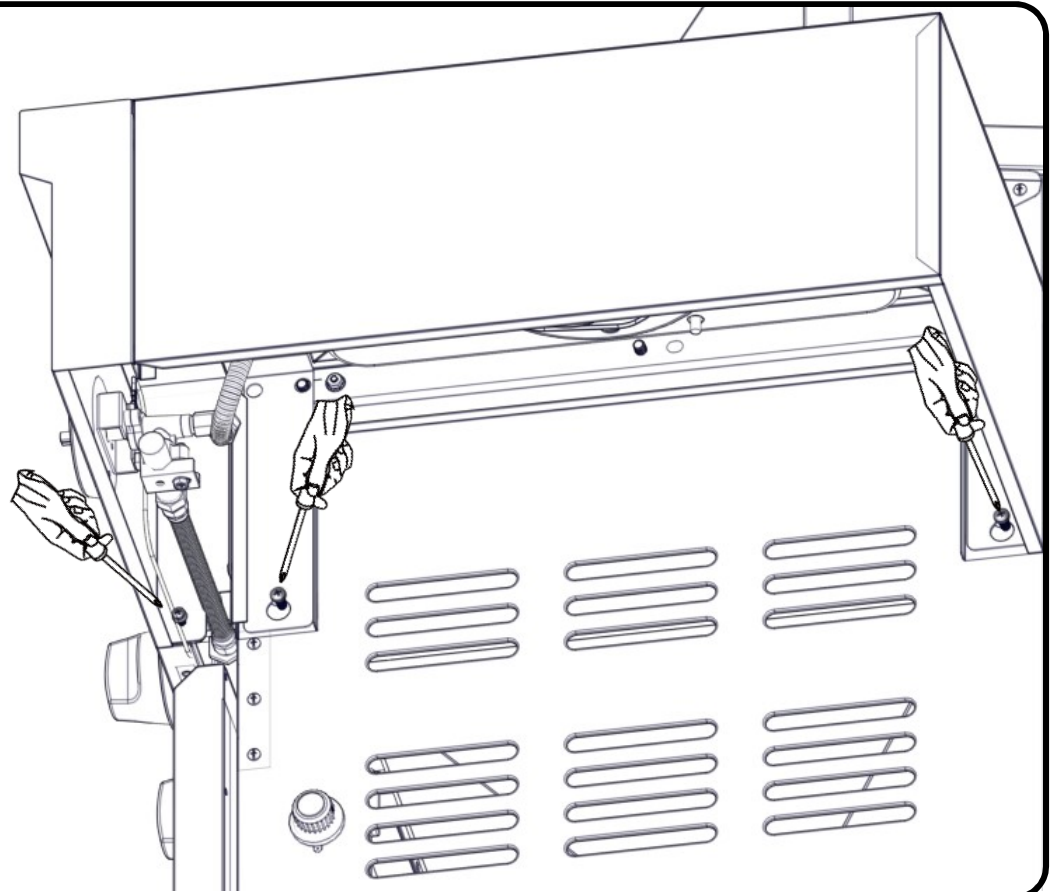
2.



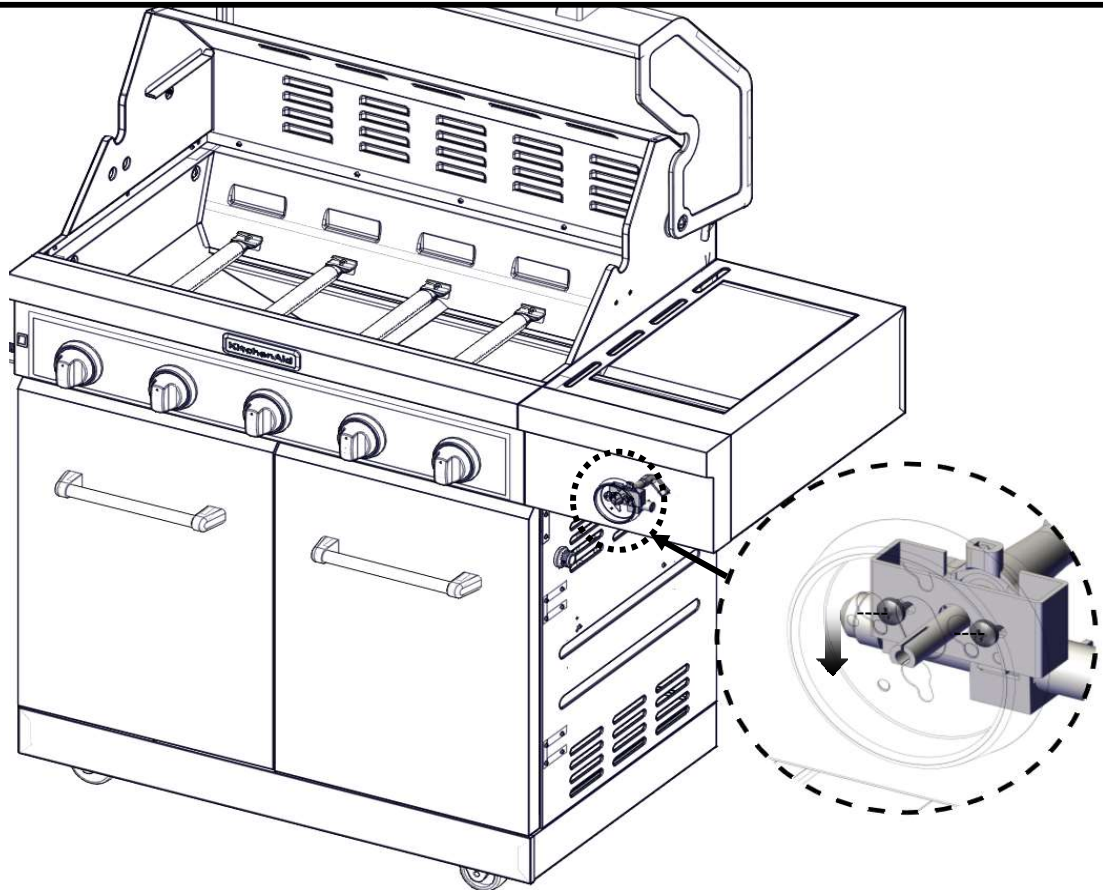
3.



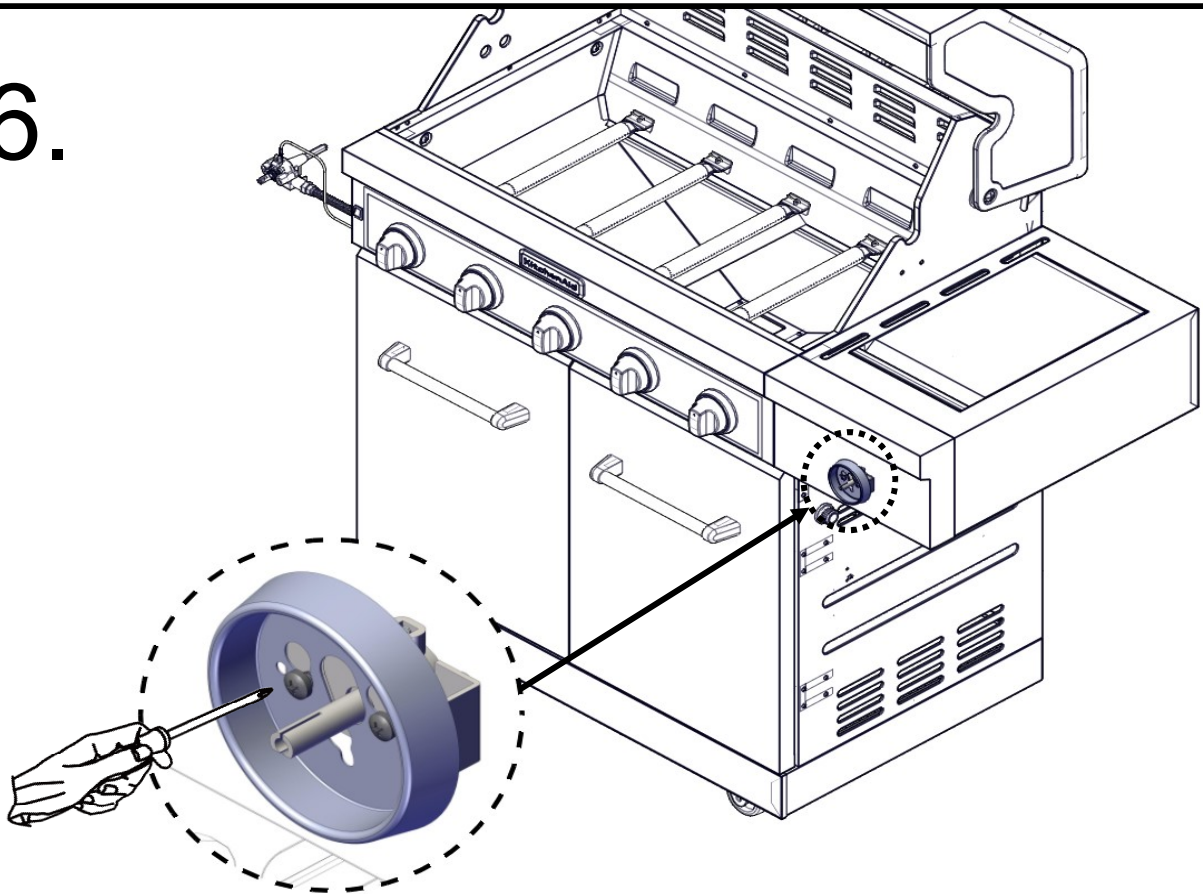
4.



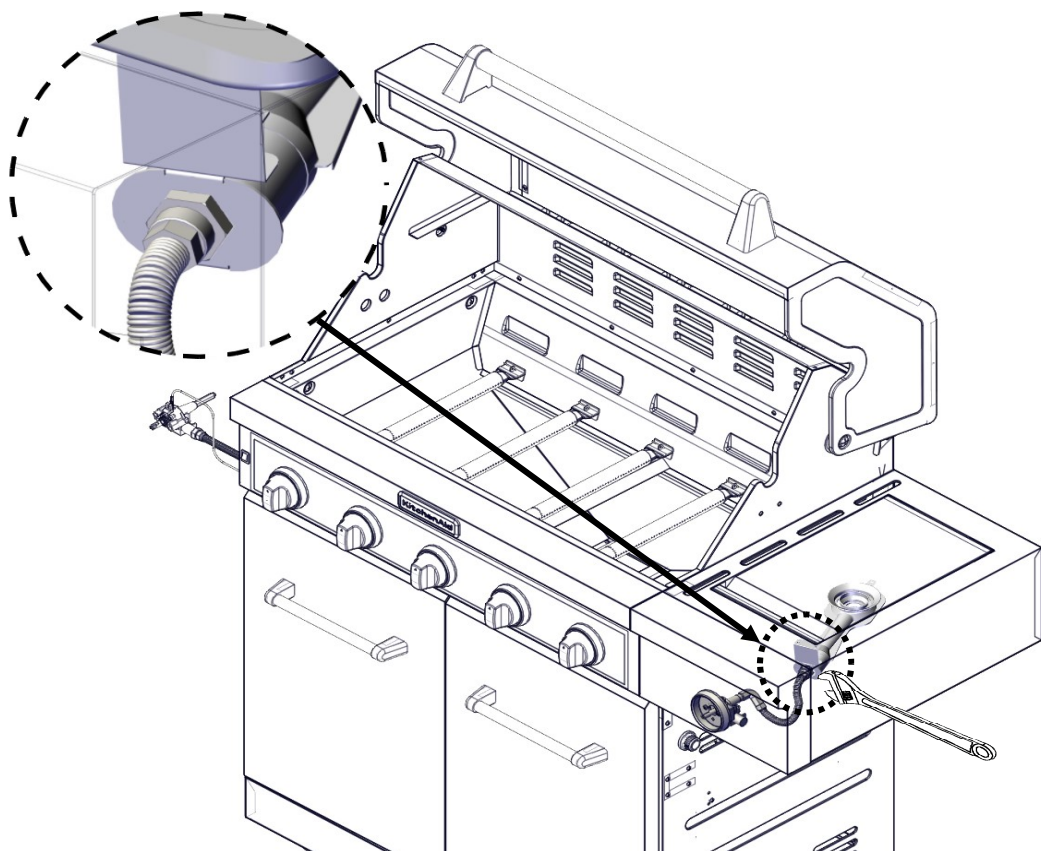
5.



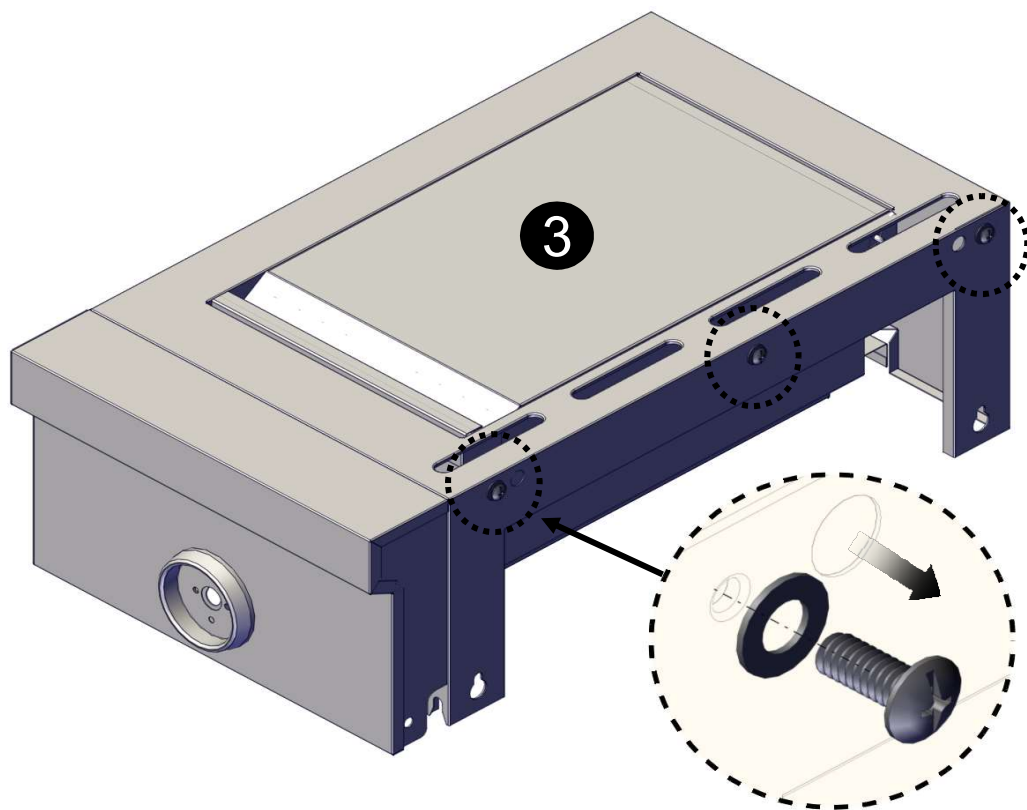
6.



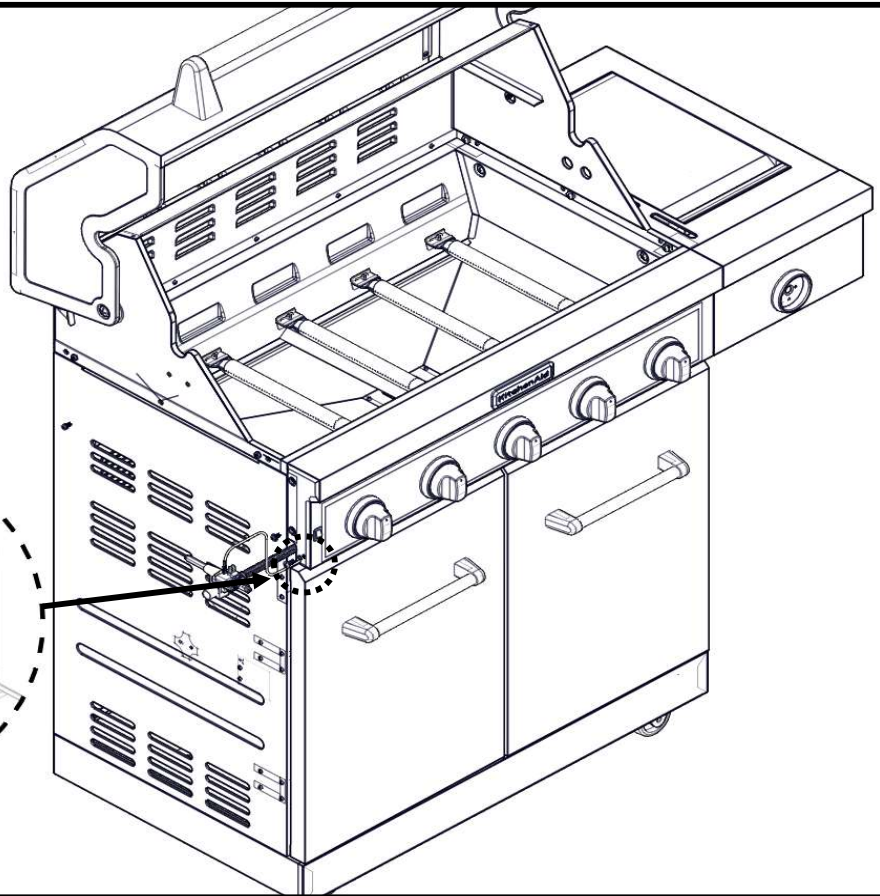
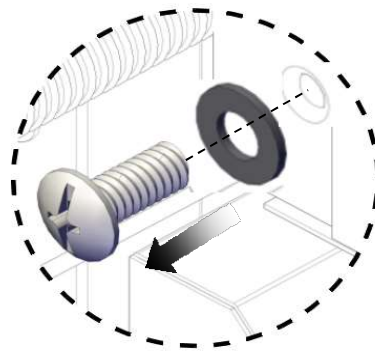
7.



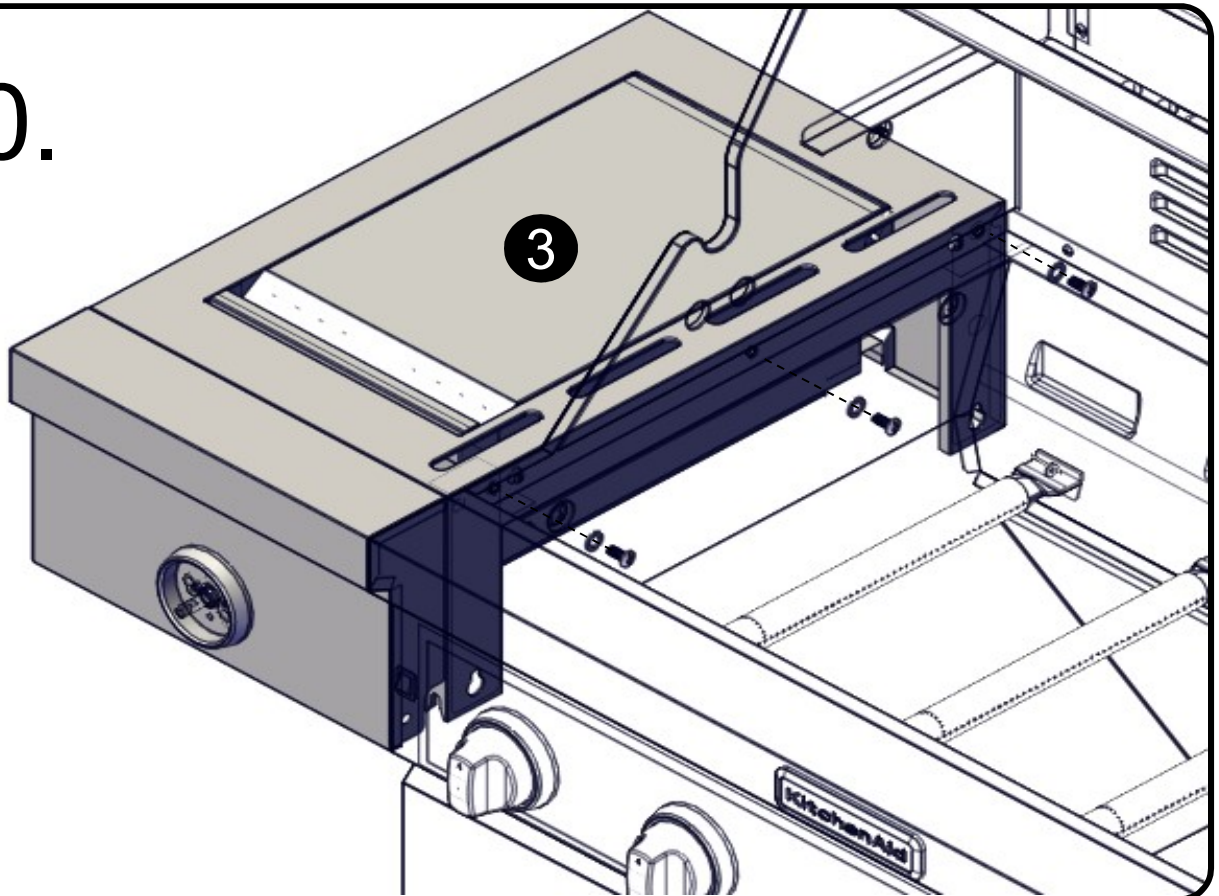
8.



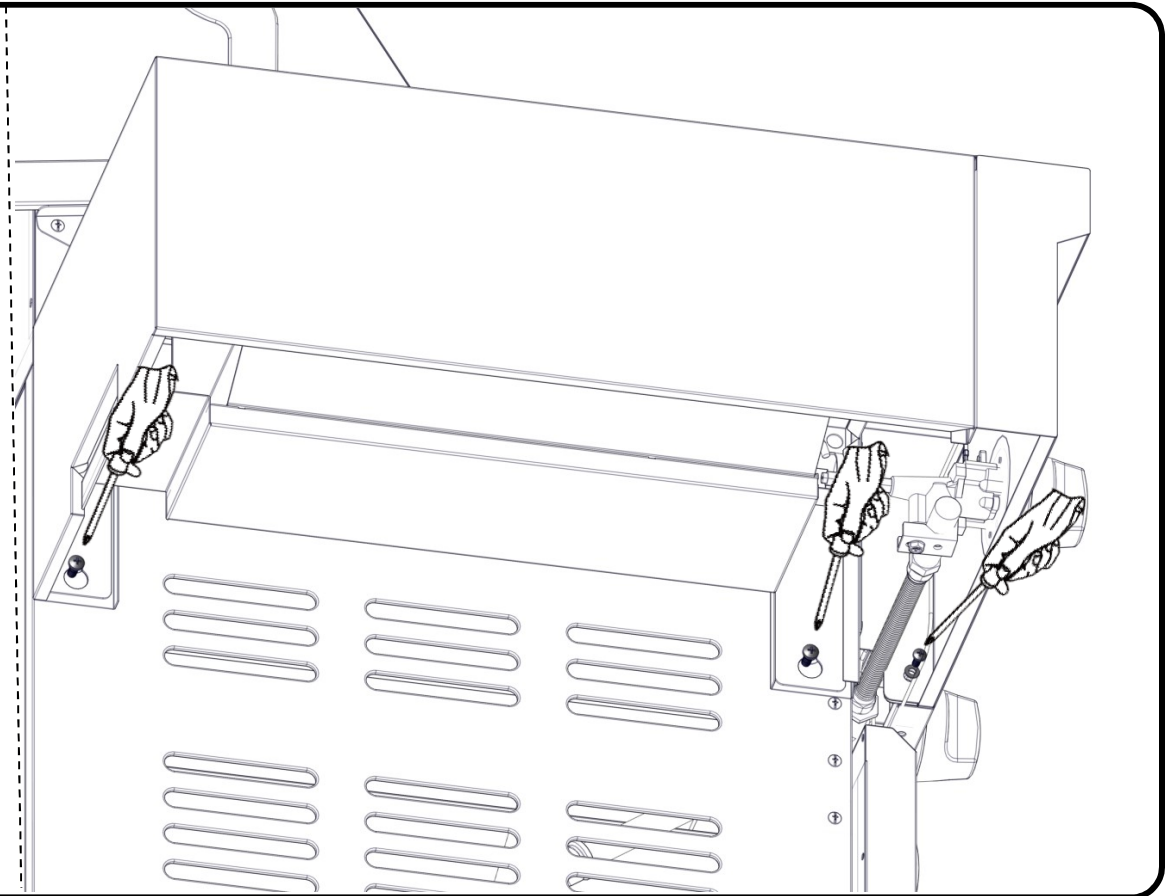
9.



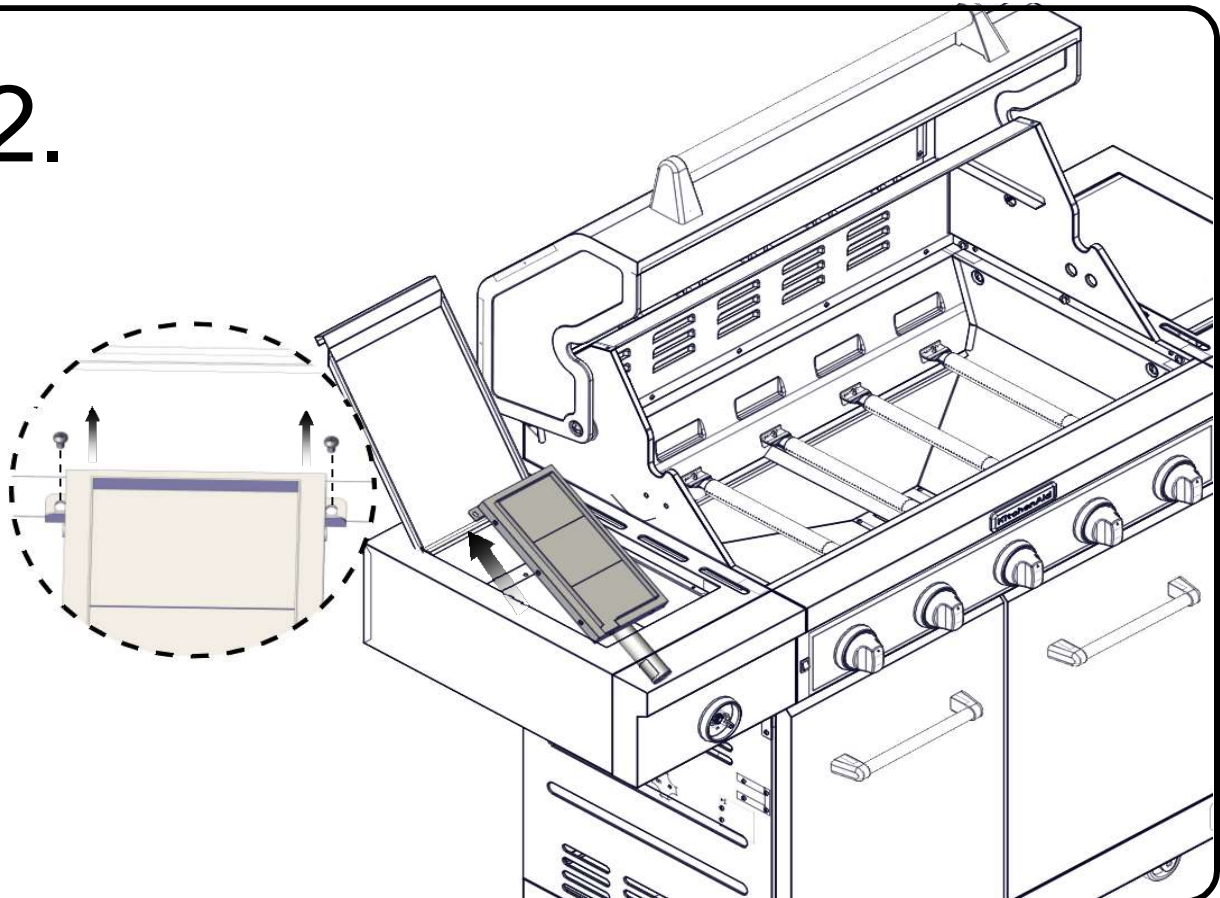
10.



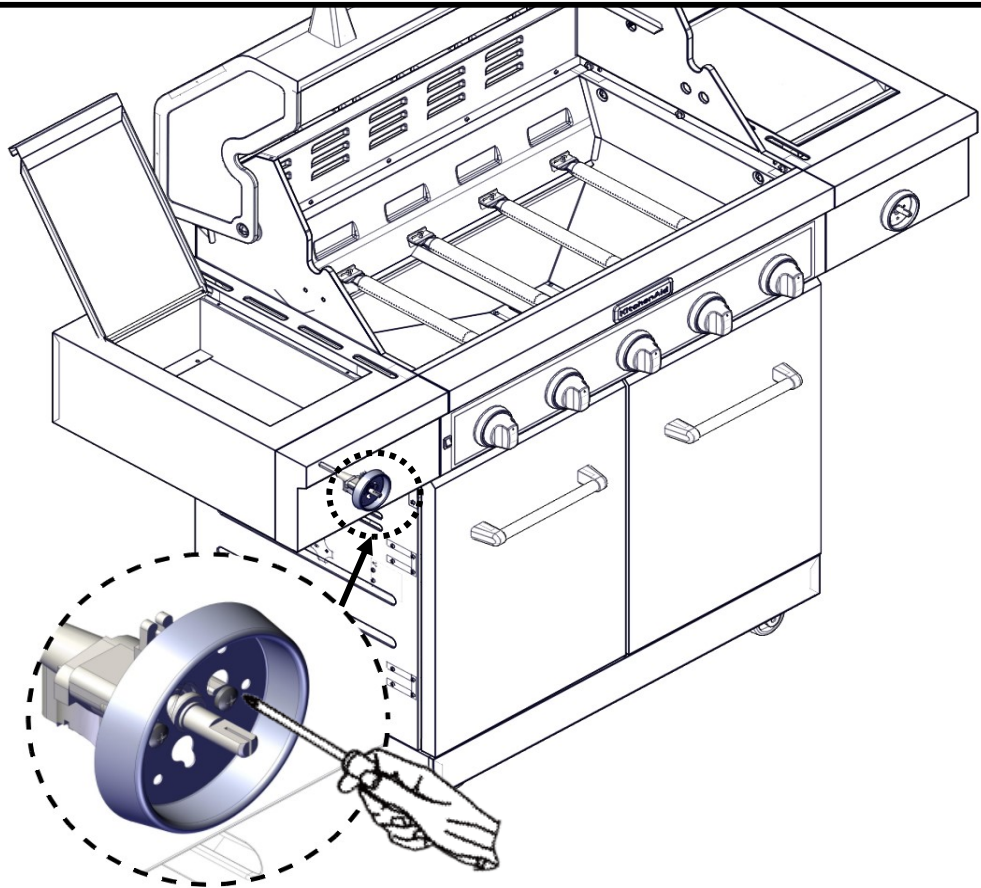
11.



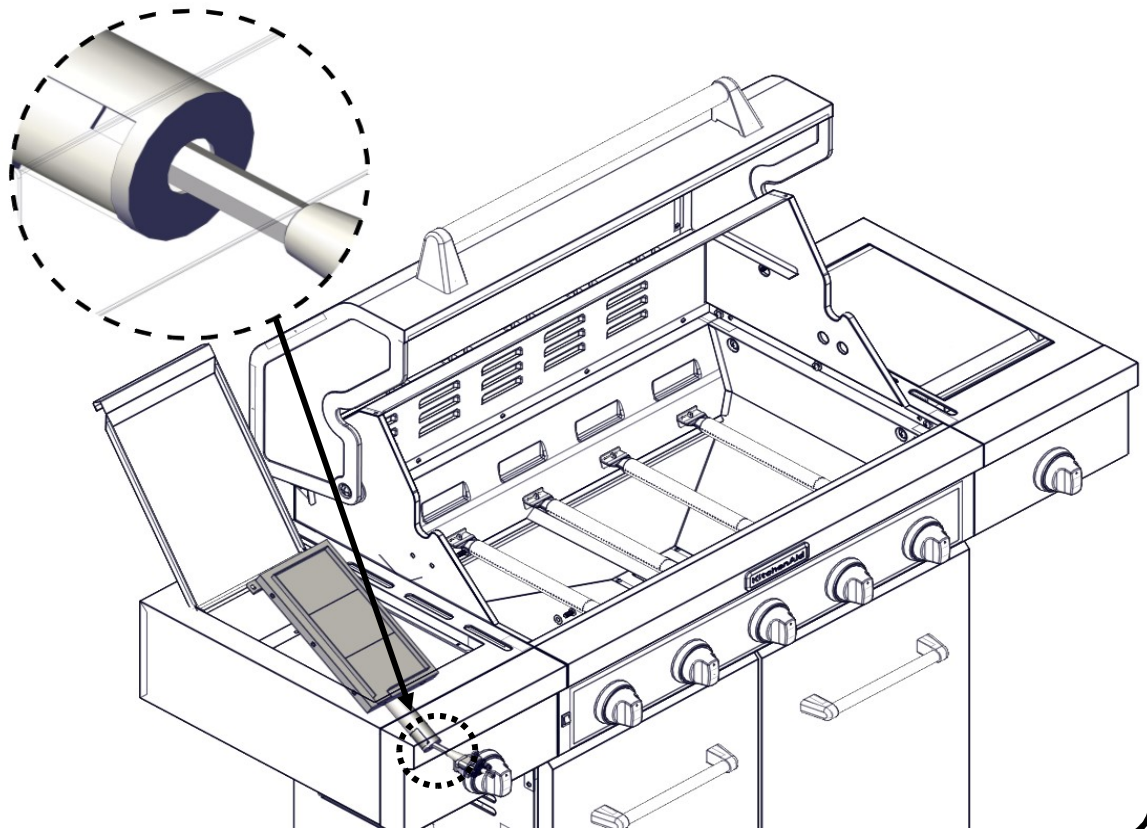
12.



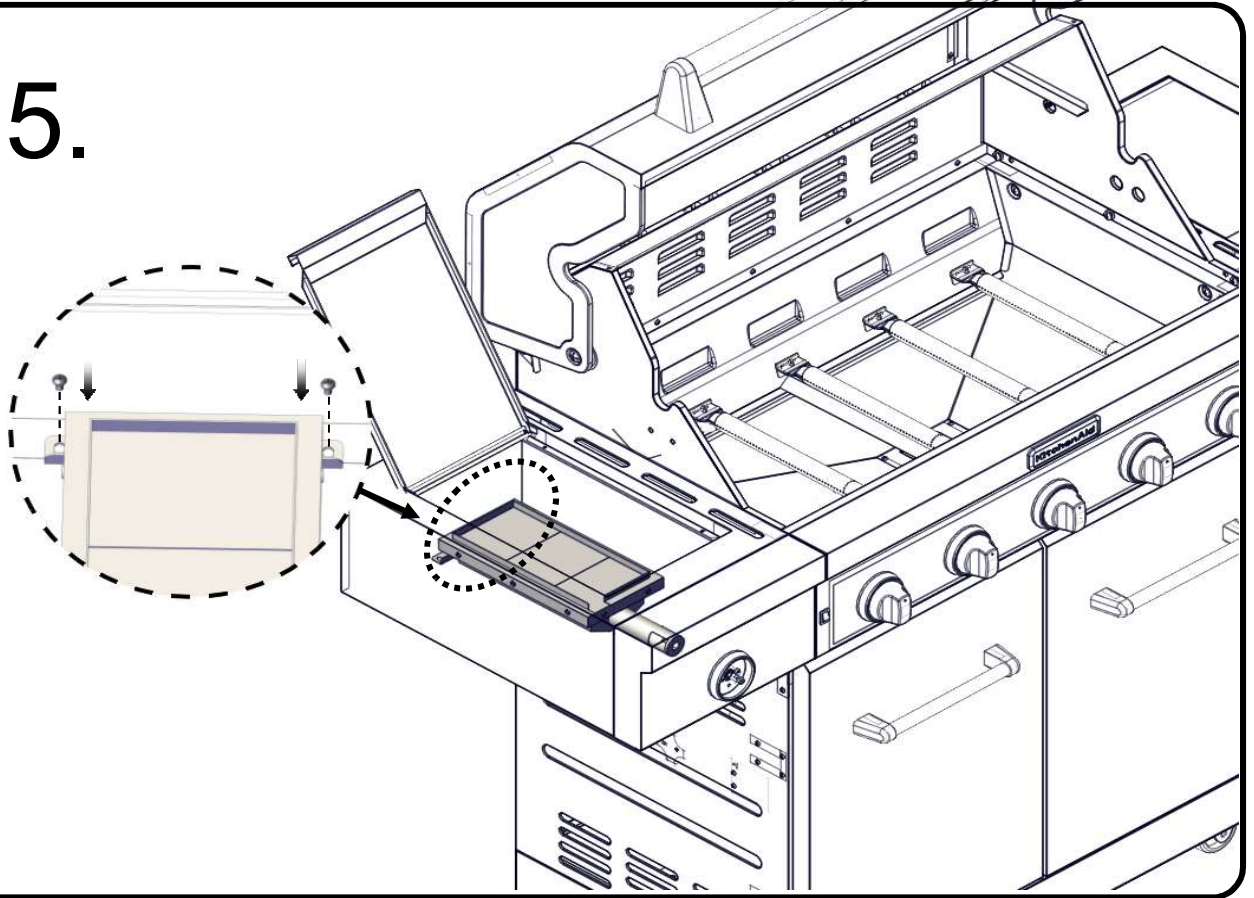
13.



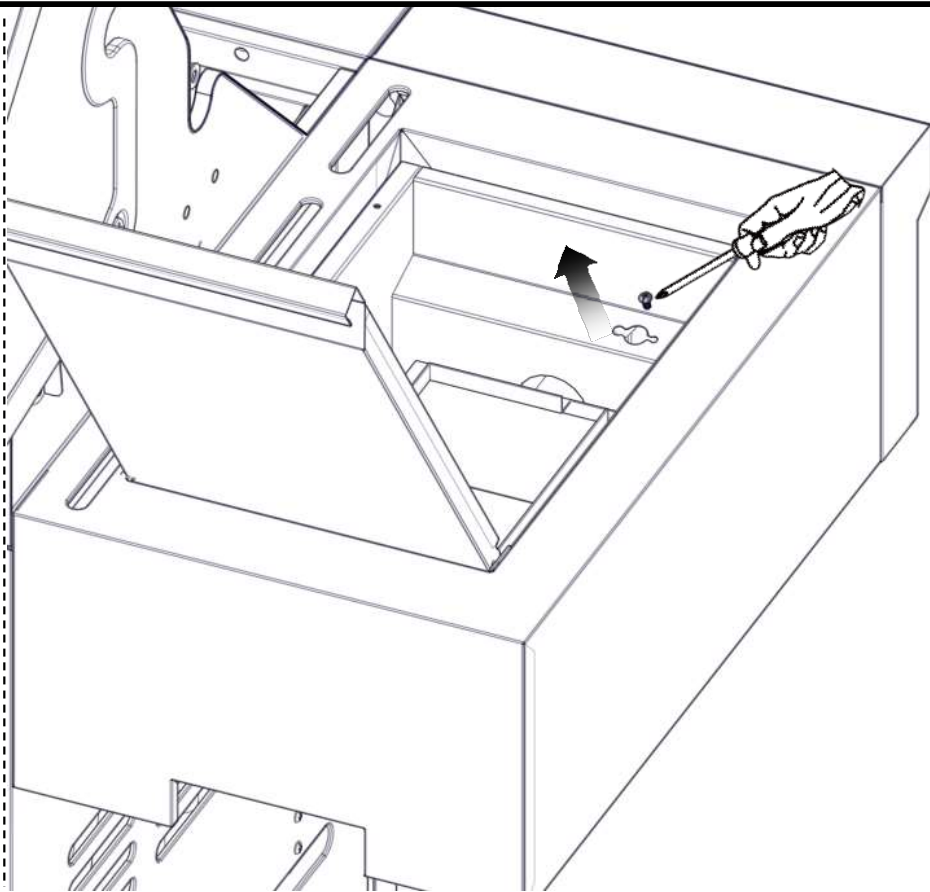
14.



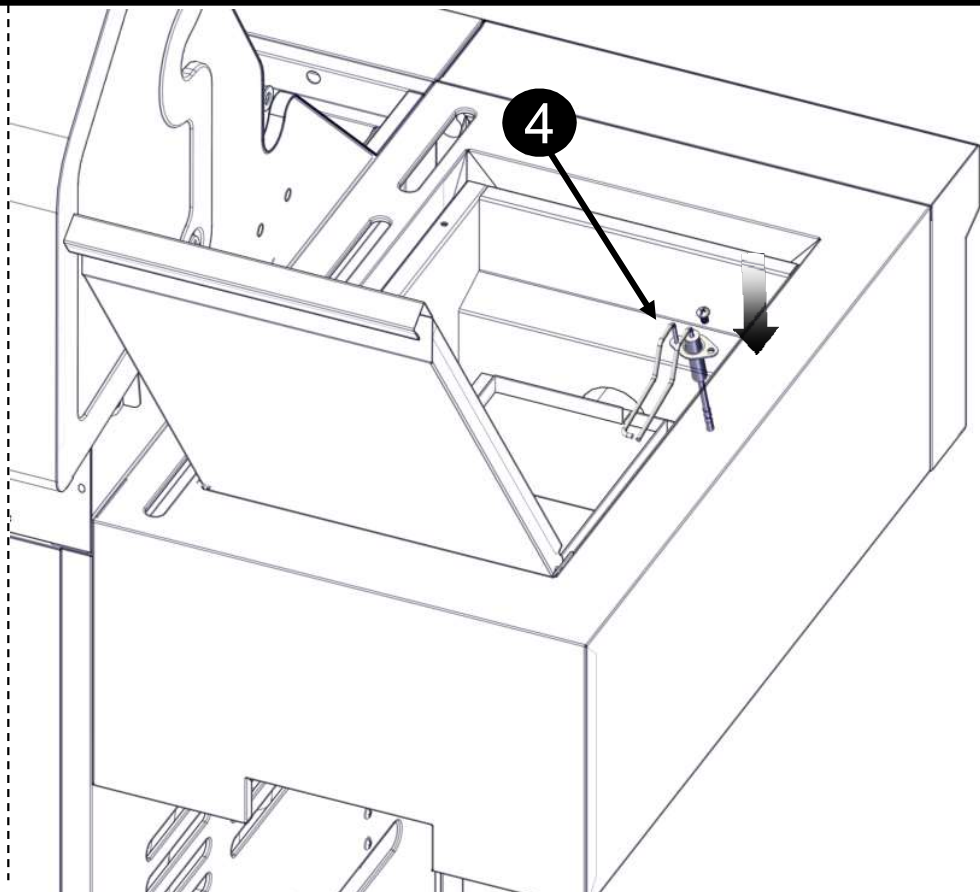
15.



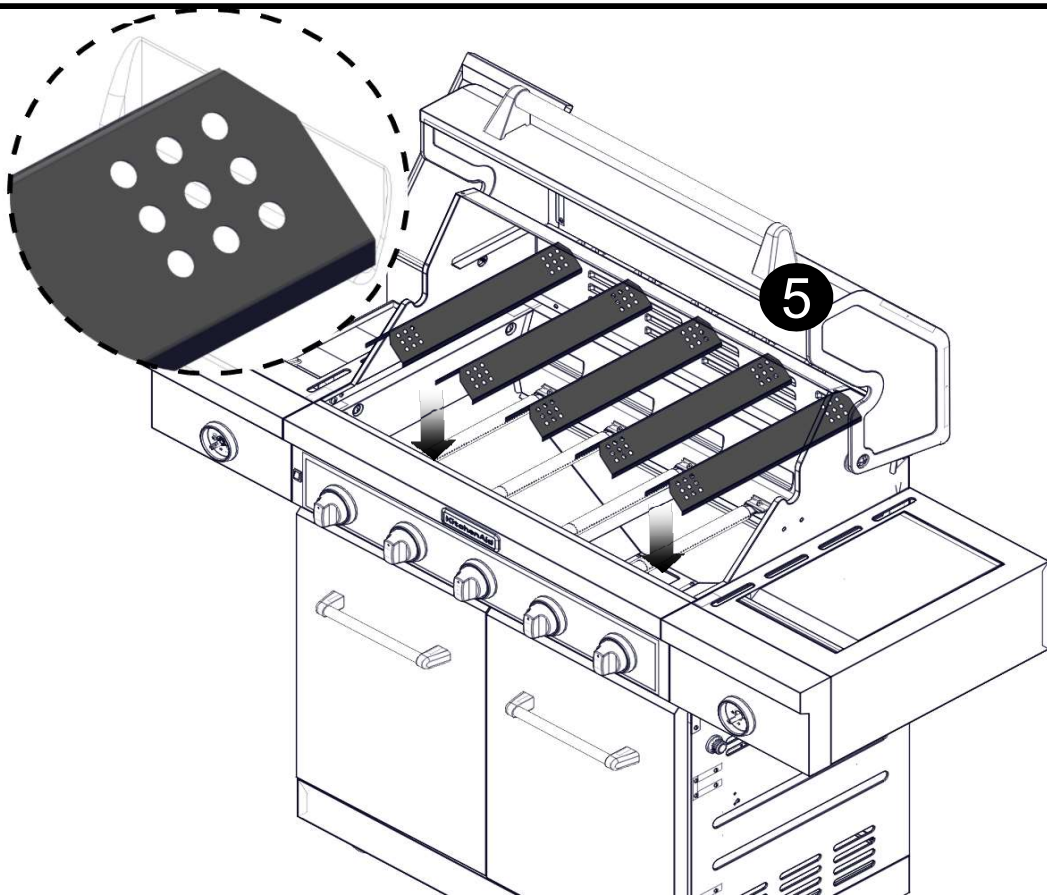
16.



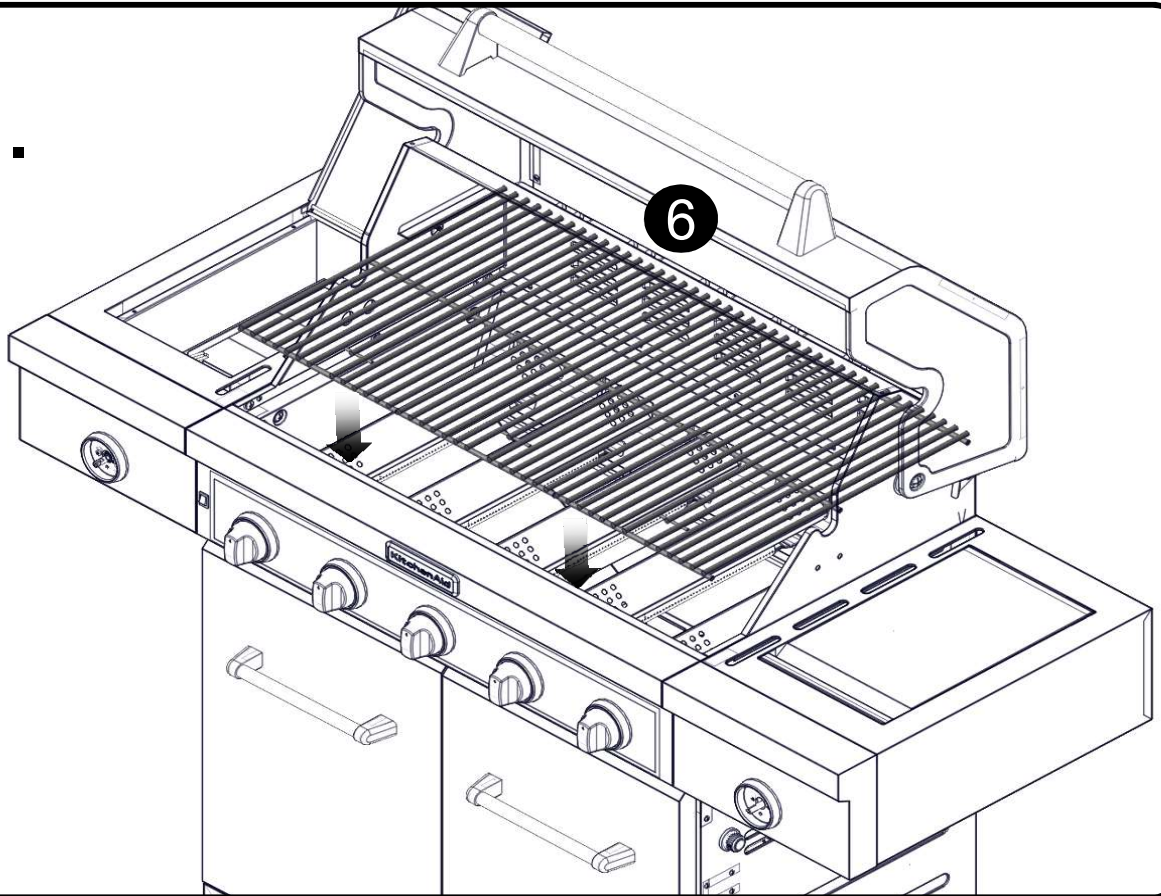
17.



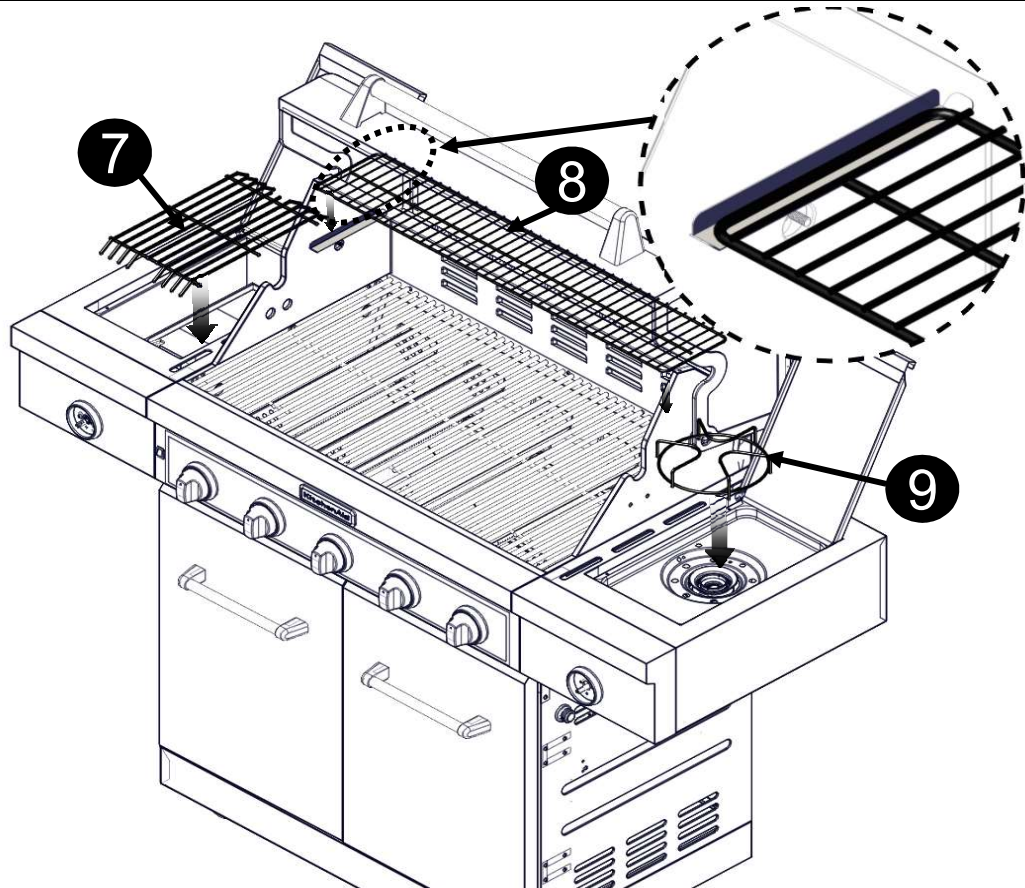
18.



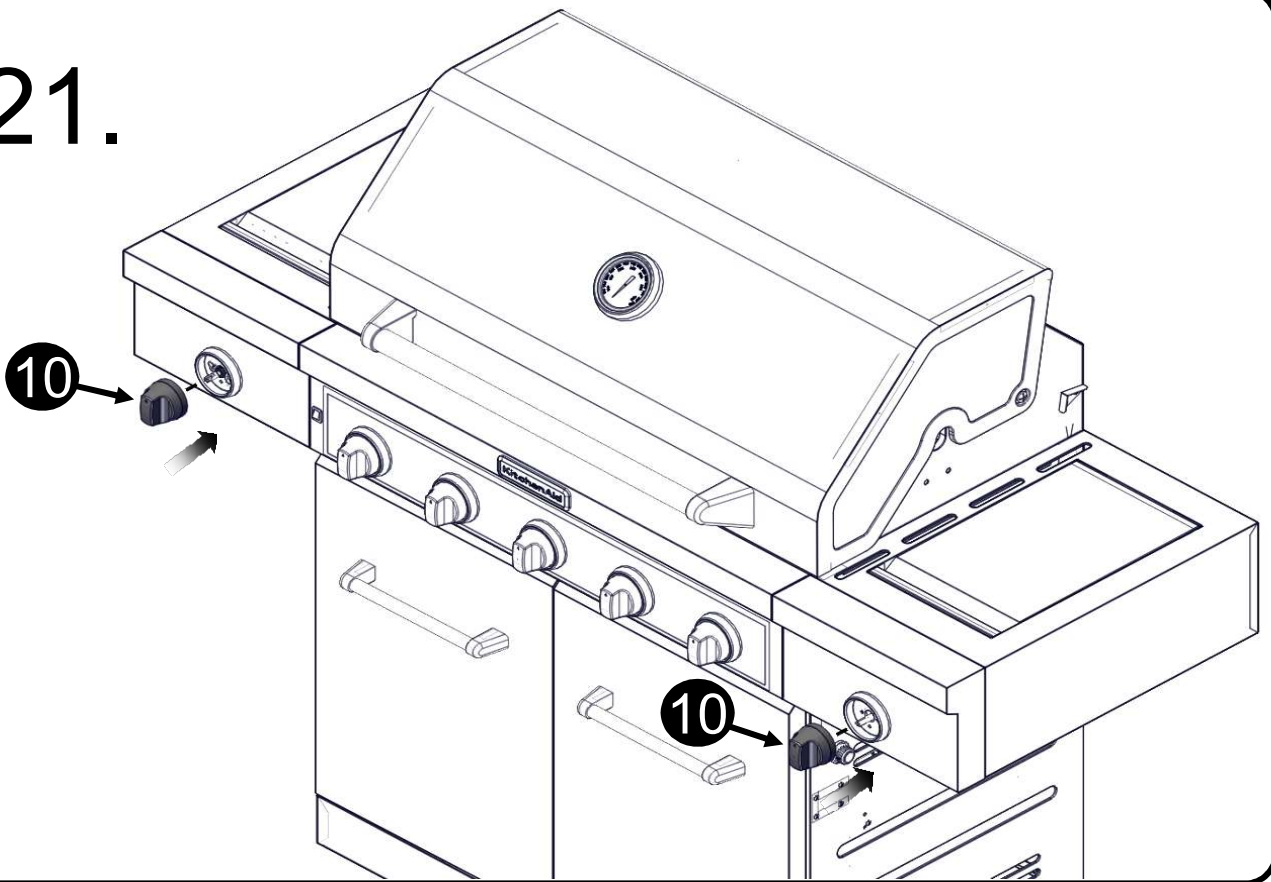
19.



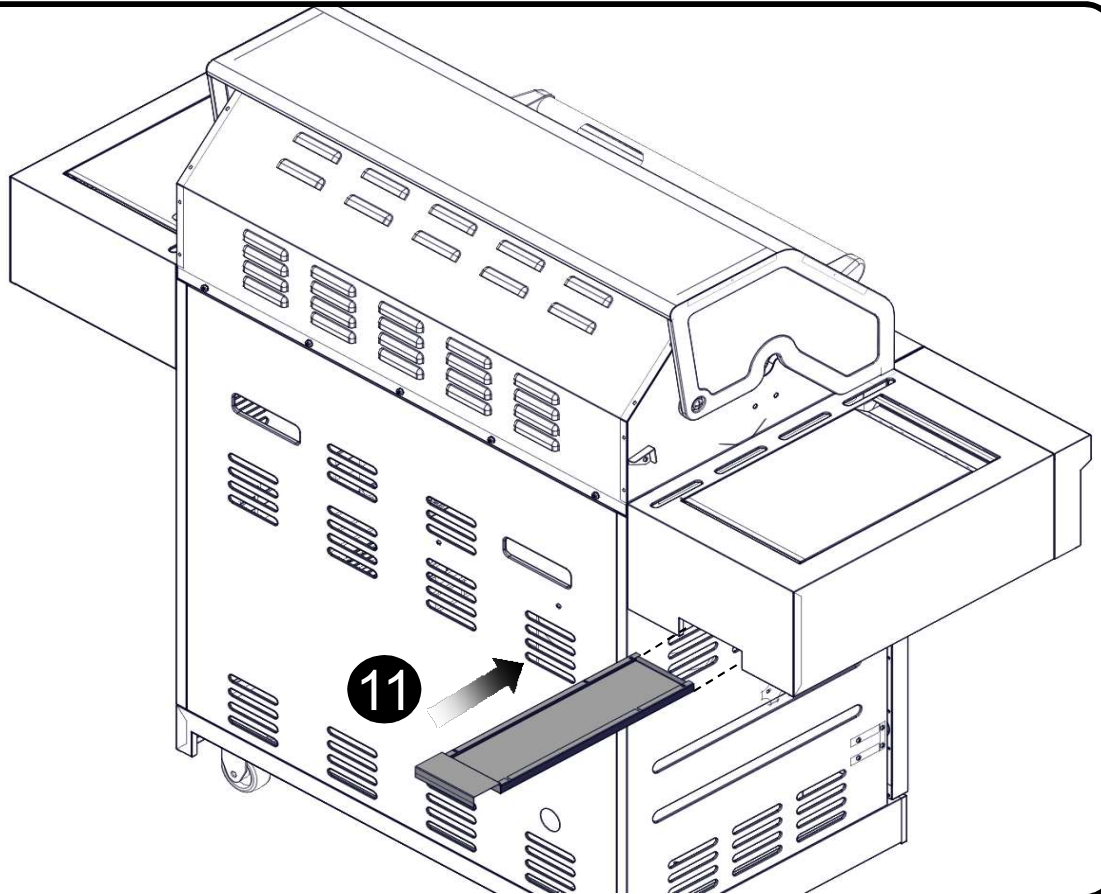
20.



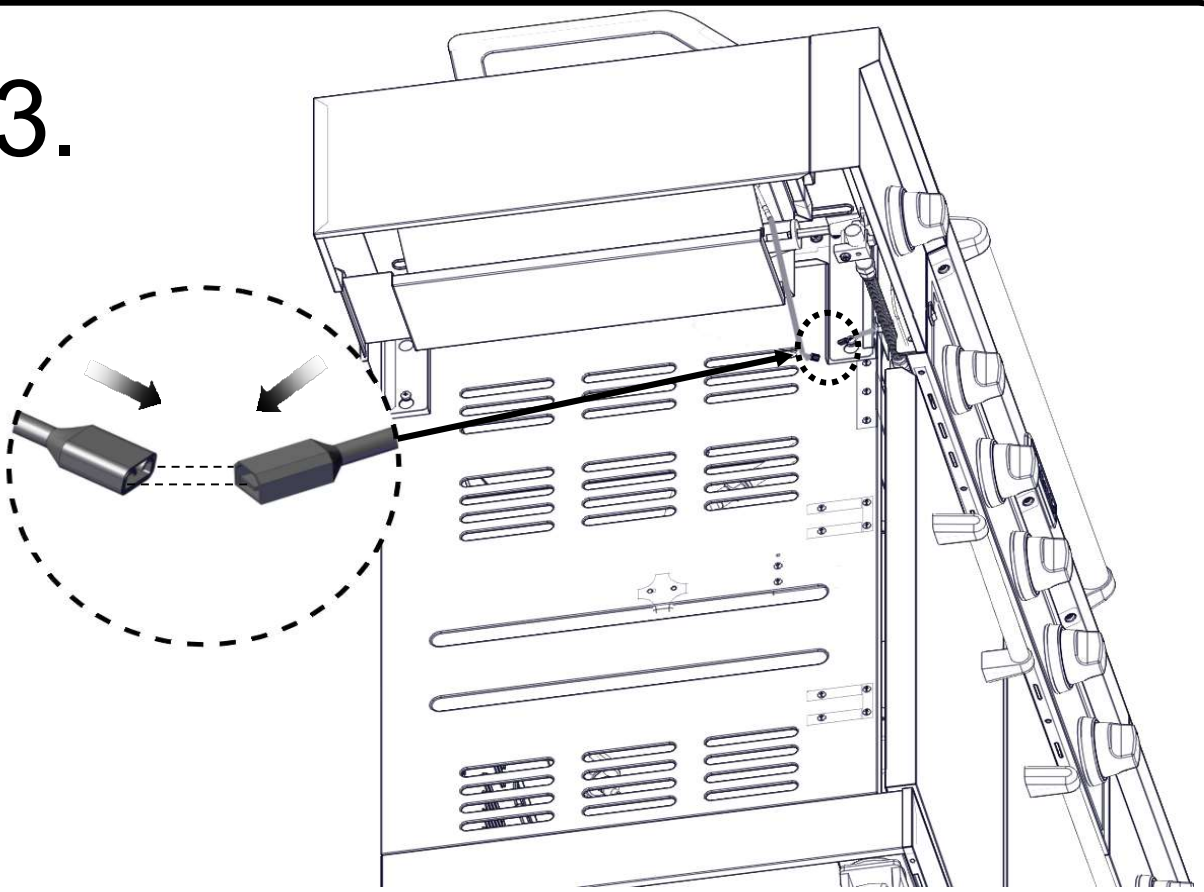
21.



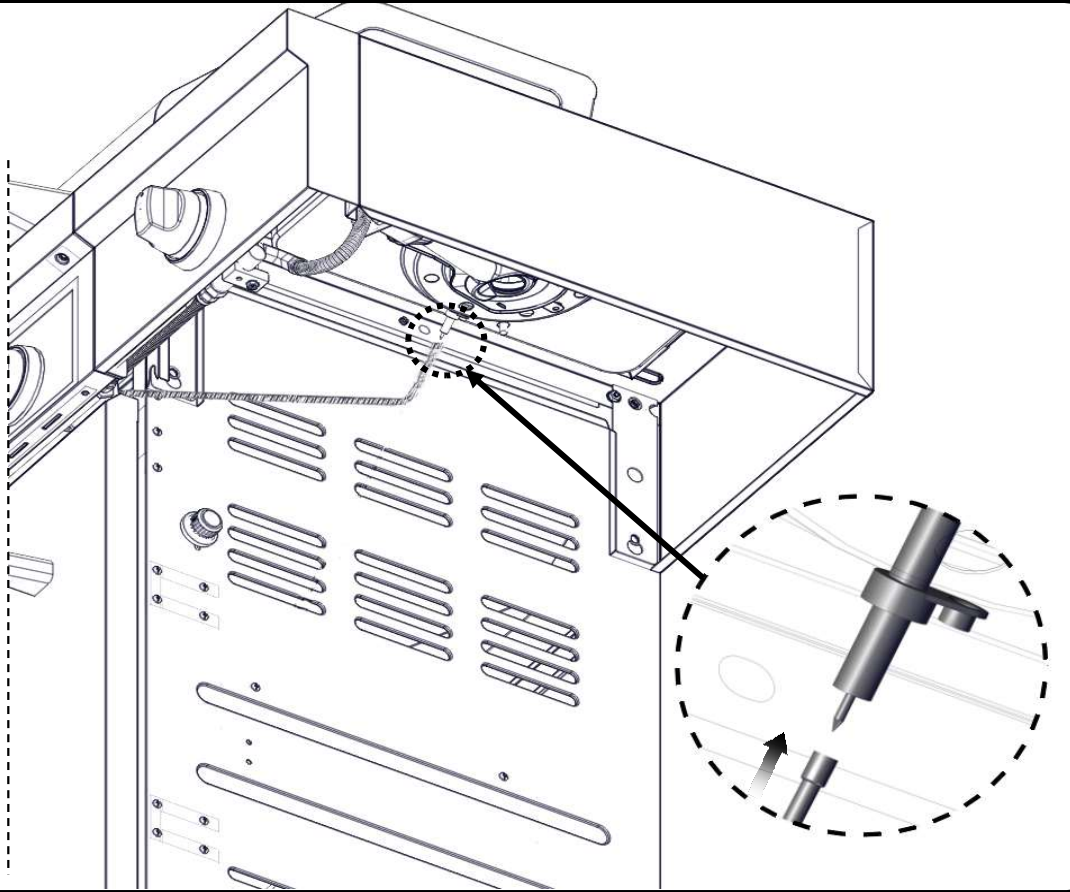
22.

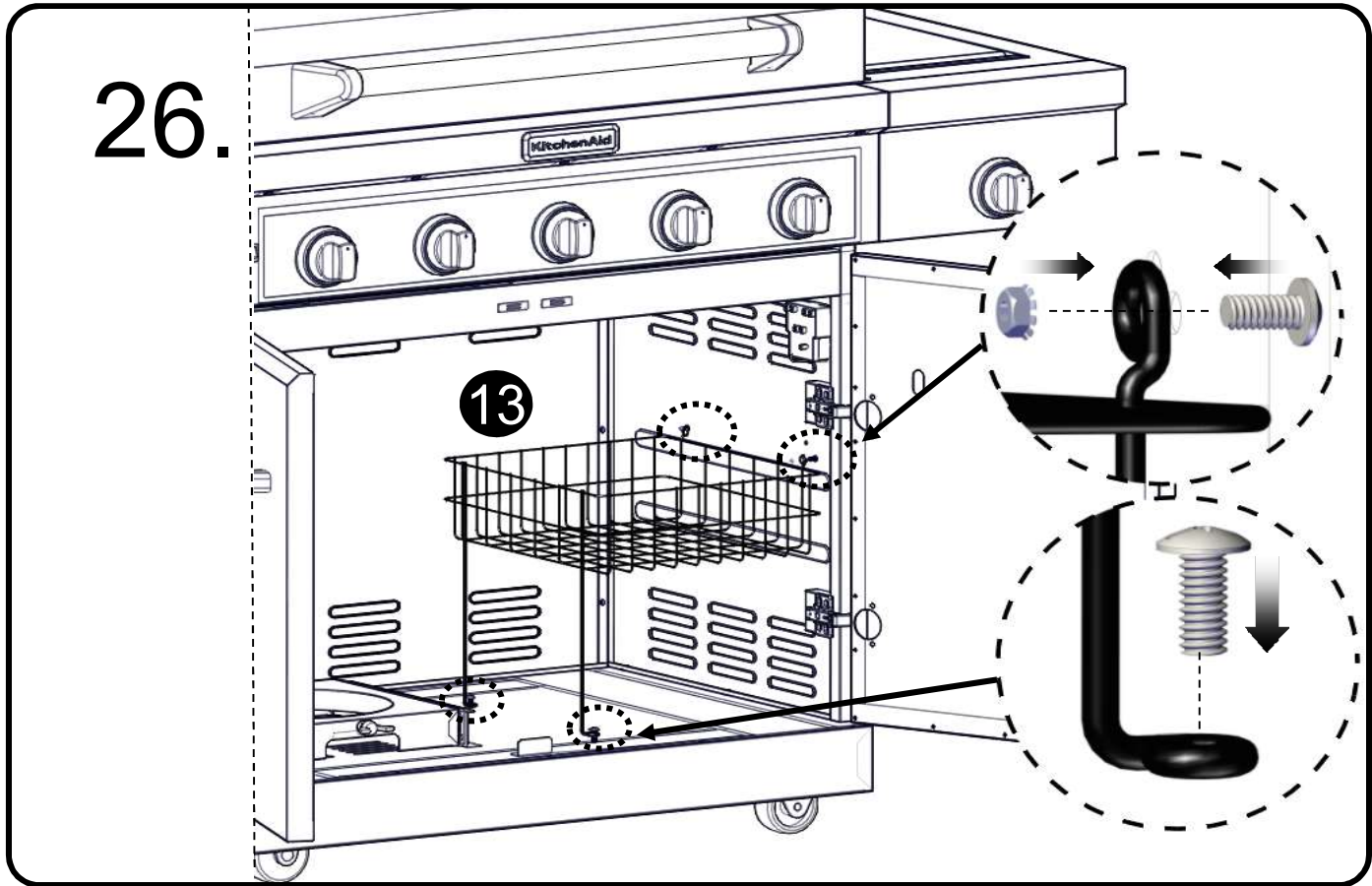
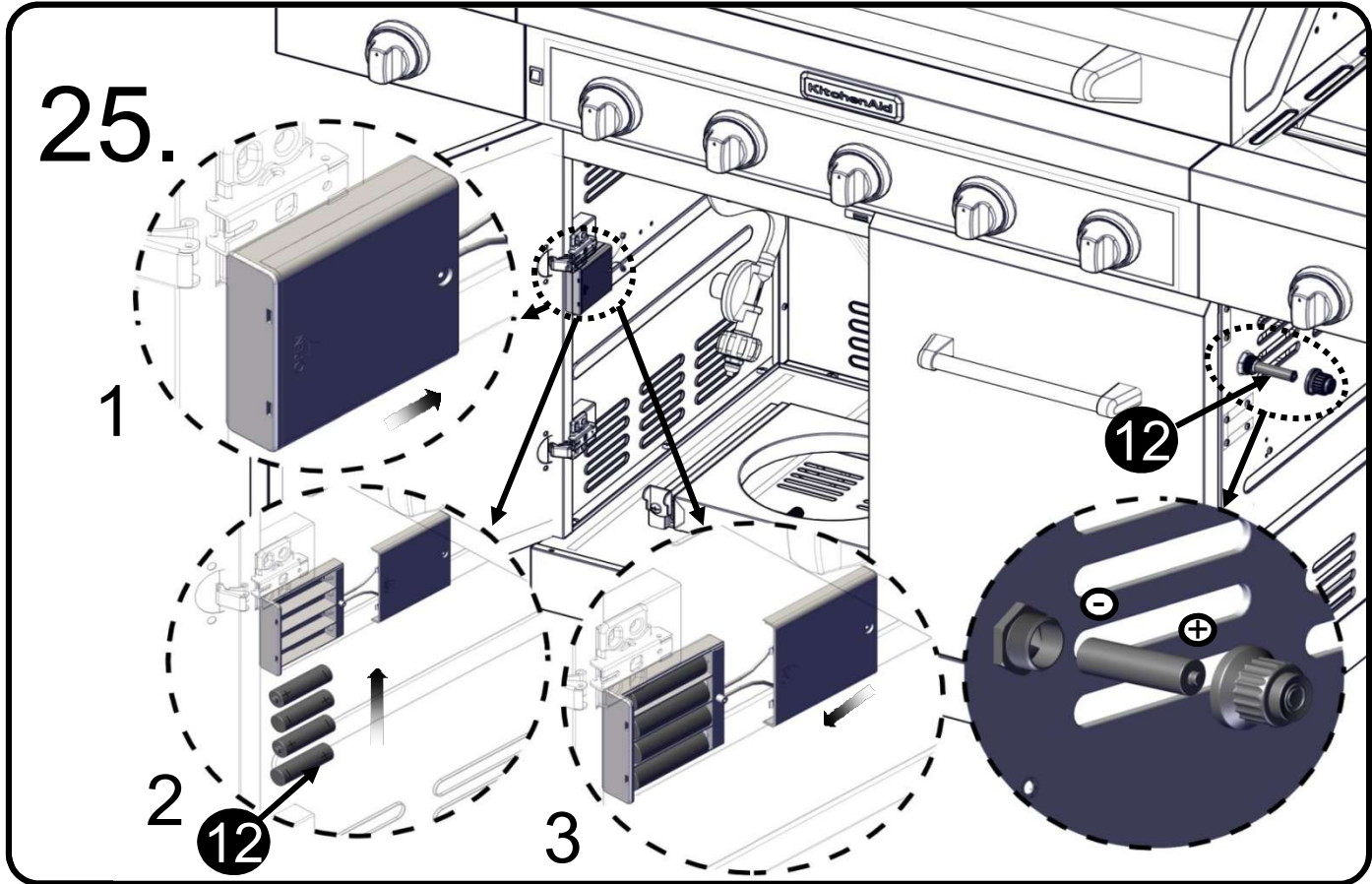


23.

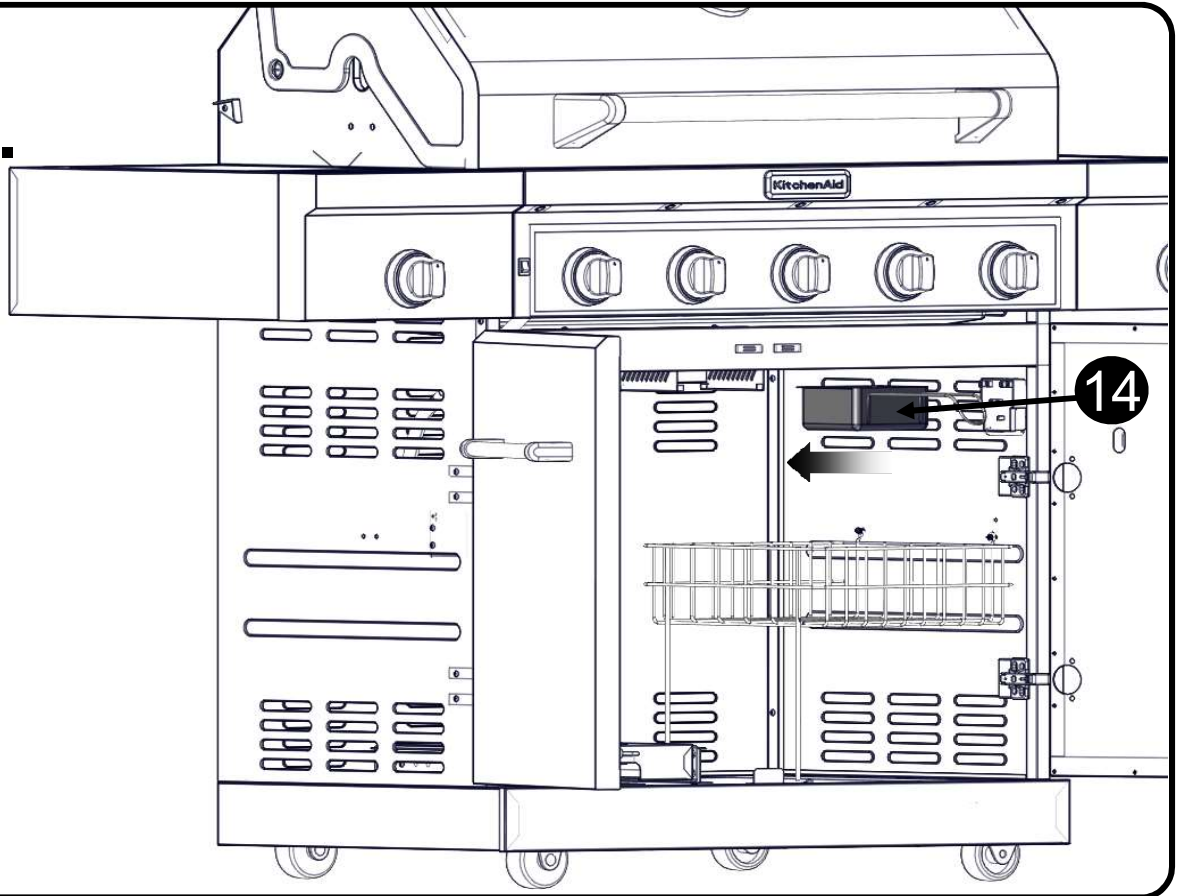


24.

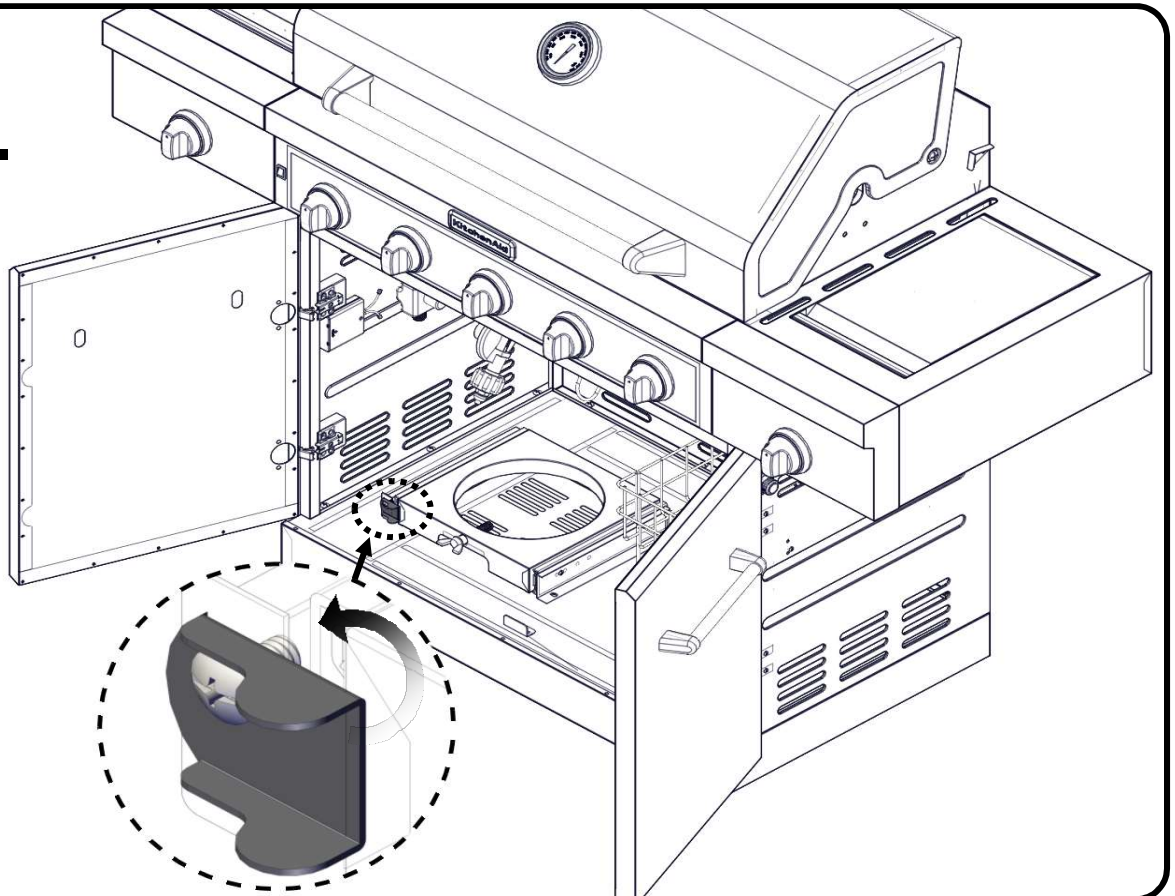




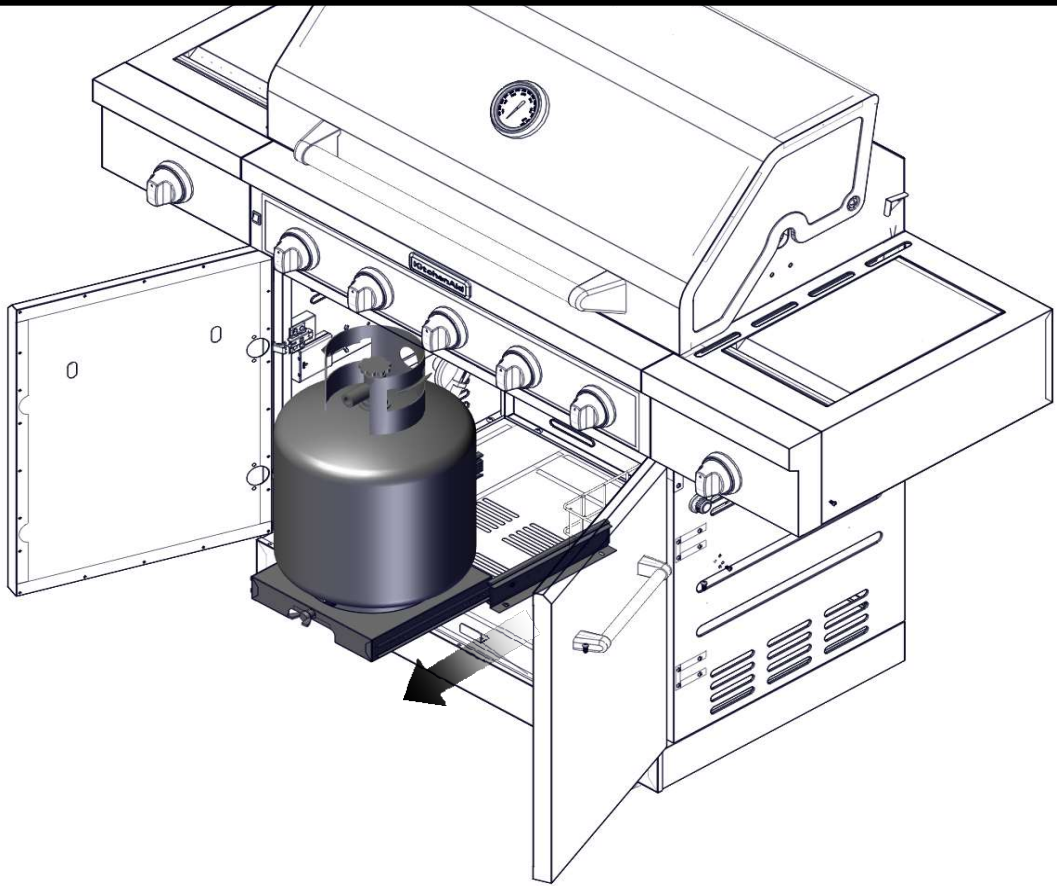
27.



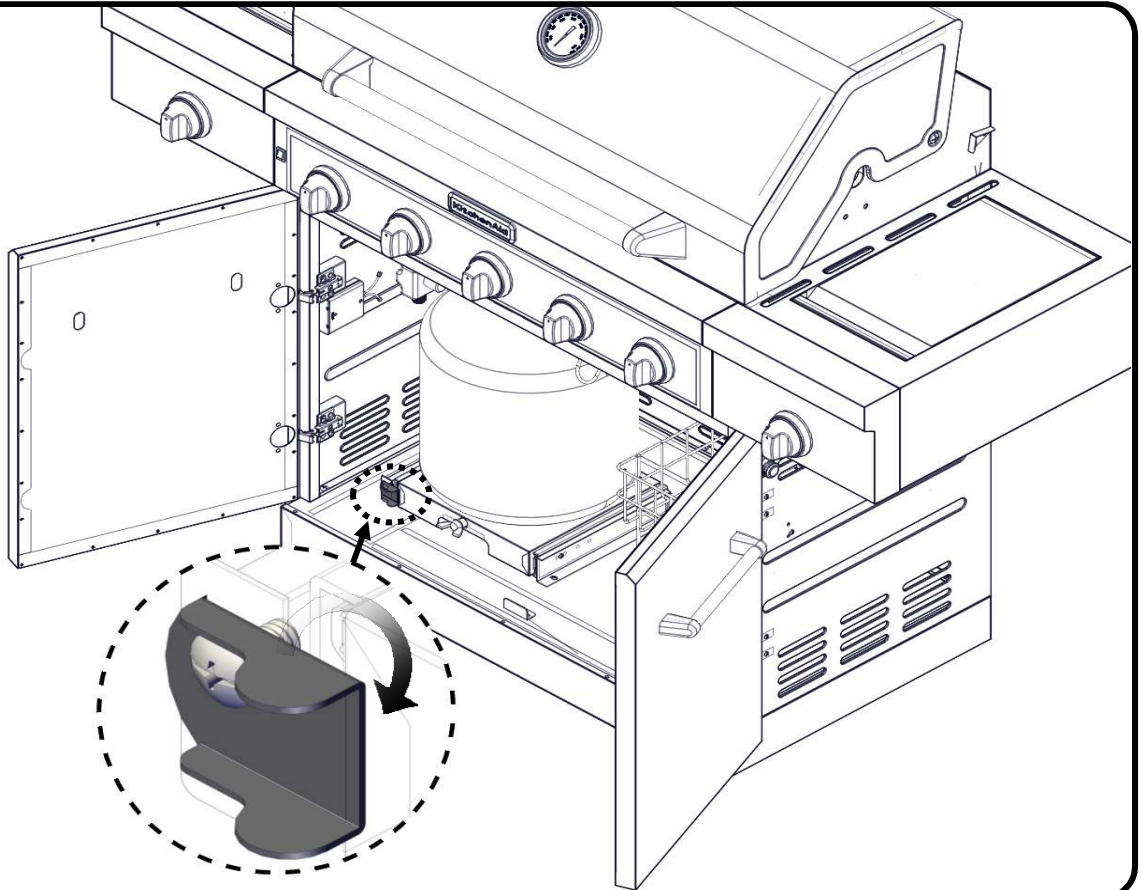
28.



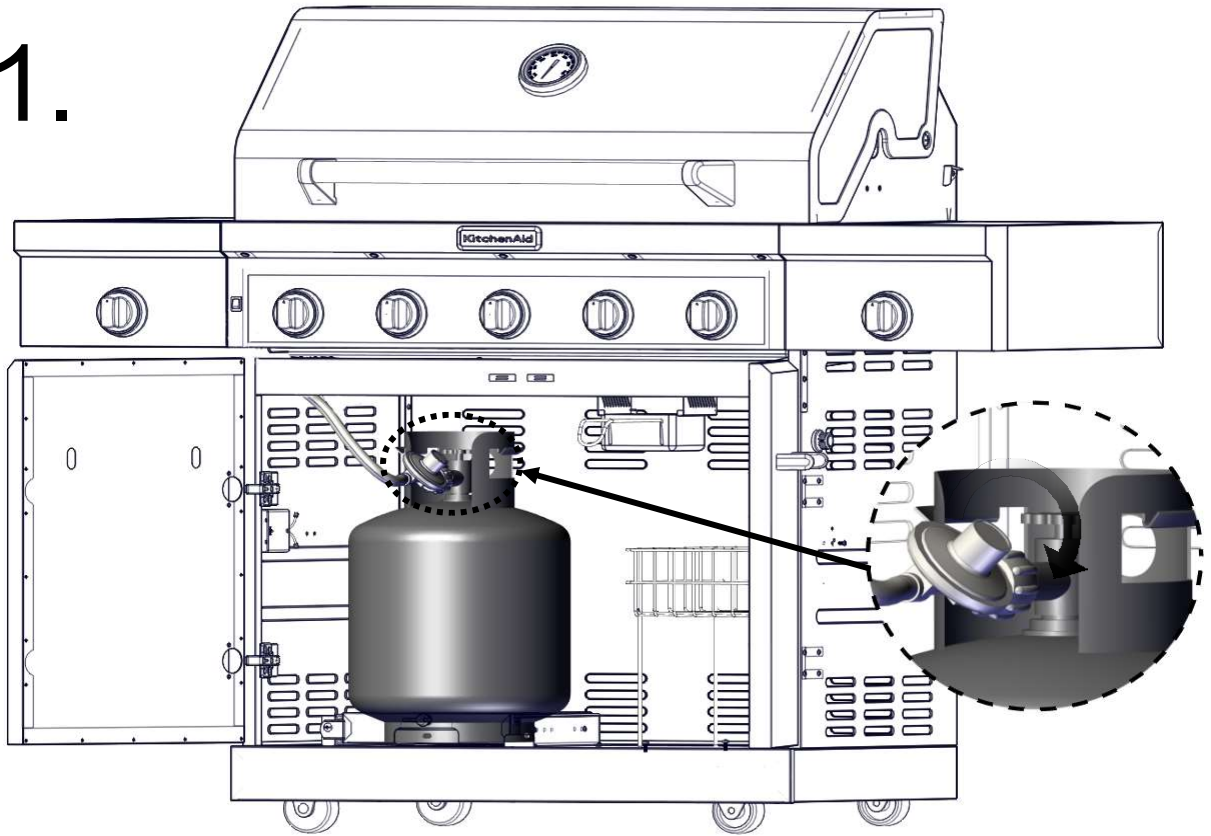
29.



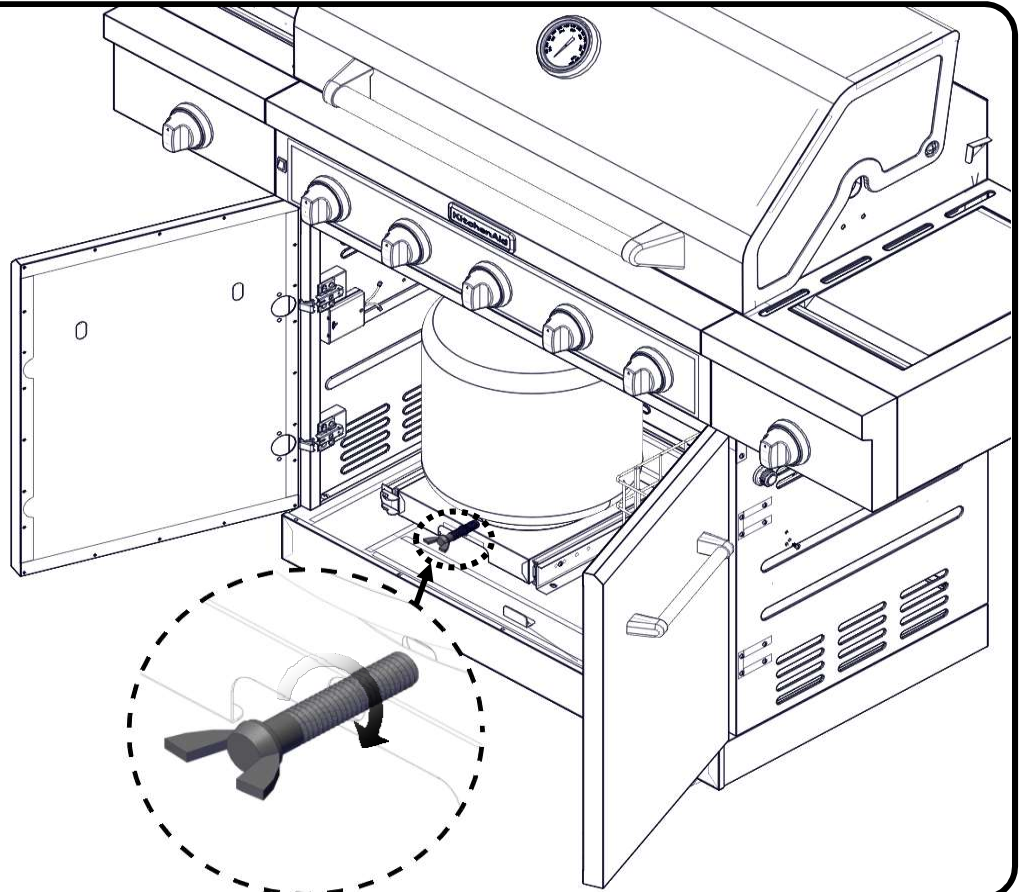
30.



31.



32.



INSTALLATION REQUIREMENTS

Location Requirements

⚠ WARNING



Explosion Hazard

Do not store fuel tank in a garage or indoors.
Do not store grill with fuel tank in a garage or indoors.
Failure to follow these instructions can result in death, explosion, or fire.

⚠ WARNING



Fire Hazard

Do not use grill near combustible materials.
Do not store combustible materials near grill.
Doing so can result in death or fire.

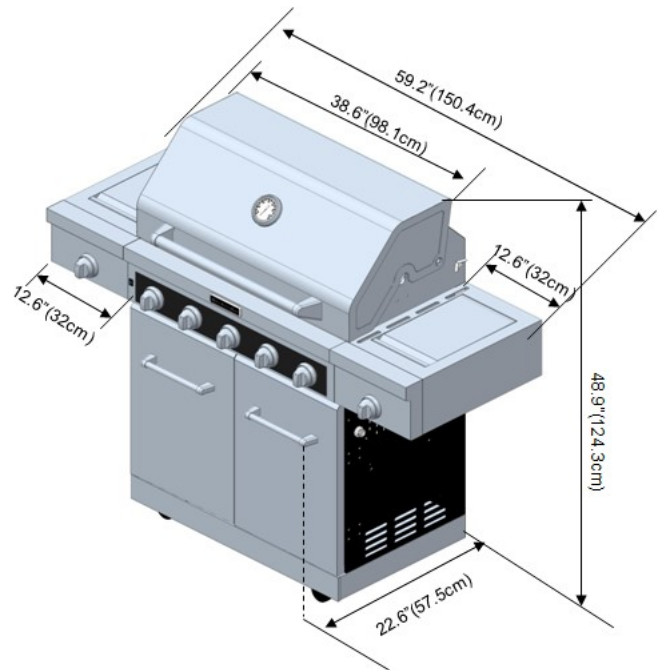
Select a location that provides minimum exposure to wind and traffic paths. The location should be away from strong draft areas.

Do not obstruct flow of combustion and ventilation air.

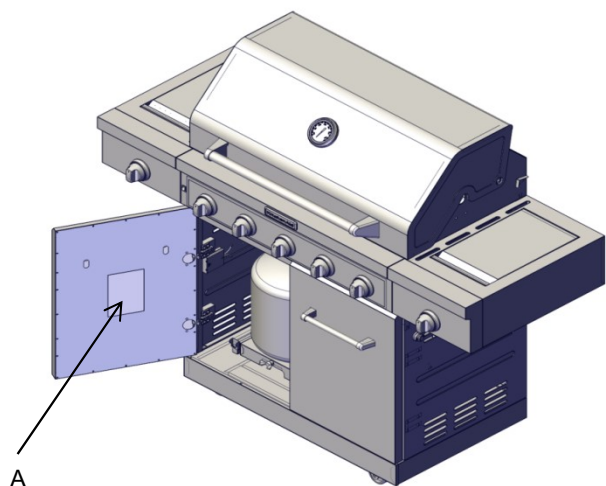
Clearance to combustible construction for grill:

- A minimum of 24" (61 cm) must be maintained between the front of the grill hood, sides and back of the grill and any combustible construction.
- A 24" (61 cm) minimum clearance must also be maintained below the cooking surface, and the grill shall not be used under overhead combustible construction.

Product Dimension



The model/serial number rating plate is located on the inside of the left cabinet door. See the following illustration.



A . Model/serial number plate

Gas Supply Requirements

⚠ WARNING



Explosion Hazard

Use a new CSA International approved “outdoor” gas supply line.

Install a shut-off valve.

Securely tighten all gas connections.

If connected to LP, have a qualified person make sure gas pressure does not exceed 14" (36 cm) water column.

Examples of a qualified person include:
licensed heating personnel,
authorized gas company personnel, and
authorized service personnel.

Failure to do so can result in death, explosion, or fire.

Observe all governing codes and ordinances.

IMPORTANT: This installation must conform with all local codes and ordinances. In the absence of local codes, installation must conform with either the National Fuel Gas Code, ANSI Z223.1/NFPA54, Natural Gas and Propane Installation Code, CSA B149.1, Propane Storage And Handling Code, B149.2, or the Standard for Recreational Vehicles, ANSI A119.2/NFPA 1192 and CSA Z240 RV Series Recreational Vehicle Code as applicable.

IMPORTANT: Grill must be connected to a regulated gas supply. Refer to the model/serial rating plate for information on the type of gas that can be used. If this information does not agree with the type of gas available, check with your local gas supplier.

Gas Conversion:

No attempt shall be made to convert the grill from the gas specified on the model/serial rating plate for use with a different gas type without consulting the serving gas supplier. The conversion kit supplied with grill must be used. See “Gas Conversions” section for instructions.

Gas Pressure Regulator

The gas pressure regulator supplied with this grill must be used. The inlet (supply) pressure to the regulator should be as follows for proper operation:

LP Gas:

Operating pressure: 11" (27.9 cm) WCP

Inlet (supply) pressure: 11" to 14" (27.9 cm to 35.5 cm) WCP

Natural Gas:

Operating pressure: 4" (10.2 cm) WCP

Inlet (supply) pressure: 7" to 14" (17.8 cm to 35.5 cm) WCP maximum.

Contact local gas supplier if you are not sure about the inlet (supply) pressure.

Burner Requirements for High Altitude

Input ratings shown on the model/serial rating plate are for elevations up to 2,000 ft (609.6 m).

For elevations above 2,000 ft (609.6 m), ratings are reduced at a rate of 4% for each 1,000 ft (304.8 m) above sea level. Orifice conversion is required. See “Assistance” section to order.

Gas Supply Line Pressure Testing

Testing above 1/2 psi (3.5 kPa) or 14" (35.5 cm) WCP (gauge):

The grill and its individual shutoff valve must be disconnected from the gas supply piping system during any pressure testing of that system at test pressures greater than 1/2 psi (3.5 kPa).

Testing below 1/2 psi (3.5 kPa) or 14" (35.5 cm) WCP (gauge) or lower:

The grill must be isolated from the gas supply piping system by closing its individual manual shutoff valve during any pressure testing of the gas supply piping system at test pressures equal to or less than 1/2 psi (3.5 kPa).

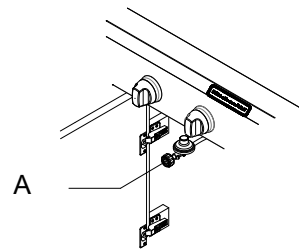
Gas Connection Requirements

20 lb LP Gas Fuel Tank

This grill is equipped for use with a 20 lb LP gas fuel tank (fuel tank not supplied). A gas pressure regulator/hose assembly is supplied.

Any brand of 20 lb LP gas fuel tank is acceptable for use with the grill, provided that it is compatible with the grill’s retention means (tank tray included).

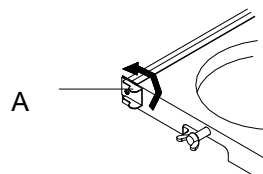
It is also design-certified by CSA International for local LP gas supply or for Natural gas with appropriate conversion.



A. Gas pressure regulator/hose assembly
The 20 lb LP gas fuel tank must be mounted and secured.

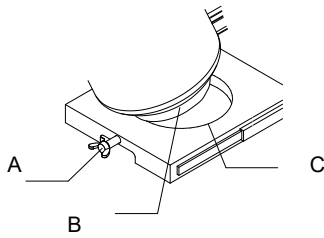
Door Style Tank Tray

1. Open cabinet door.
2. Slide the tank tray locking bracket counterclockwise 90 ° and pull out the tray



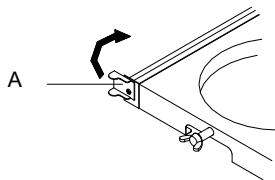
A. Tank tray locking bracket

- Place the 20 lb LP gas fuel tank bottom collar into the mounting hole in the tank tray.
- Tighten the locking screw against the bottom collar of the 20 lb LP gas fuel tank to secure.



A. Locking screw
B. Bottom collar
C. Mounting hole

- Slide the drawer with the 20lb LP gas fuel tank back into the cabinet. Turn the tank tray locking bracket clockwise 90° to tighten.



A. Tank tray locking bracket

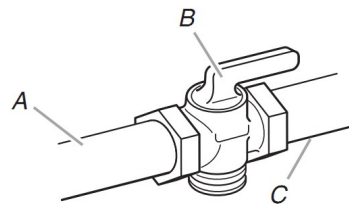
Natural Gas Conversion

Conversion must be made by a qualified gas technician. The qualified Natural gas technician shall provide the Natural gas supply to the selected grill location in accordance with the National Fuel Gas Code ANSI Z223.1/NFPA 54 - latest edition, and local codes. For conversion to Natural gas, the Natural Gas Conversion Kit supplied with the grill (on some models) or the Natural Gas Conversion Kit Part Number 710-0003 must be used. See "Assistance" section for information on ordering.

IMPORTANT: The gas installation must conform with local codes, or in the absence of local codes, with the National Fuel Gas Code, ANSI Z223.1/NFPA 54 - latest edition.

Follow instructions for converting to Natural gas in the "Gas Conversions" section of this manual or the instructions supplied with Natural Gas Conversion Kit Part Number 710-0003.

The gas supply line shall be equipped with an approved shutoff valve. This valve should be located in the same area as the grill and should be in a location that allows ease of opening and closing. Do not block access to the shutoff valve. The valve is for turning on or shutting off gas to the grill.



A. Gas supply line
B. Shutoff valve "open" position
C. To grill

Make Gas Connection

NOTE: If grill is to be converted to Natural gas, follow instructions in the "Gas Conversions" section.

20 lb LP Gas Fuel Tank

⚠ WARNING



Explosion Hazard

Securely tighten all gas connections.

If connected to LP, have a qualified person make sure gas pressure does not exceed 14" (36 cm) water column.

Examples of a qualified person include:

licensed heating personnel,
authorized gas company personnel, and
authorized service personnel.

Failure to do so can result in death, explosion, or fire.

LP Gas:

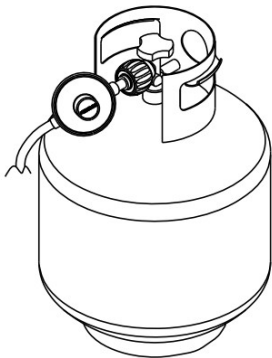
IMPORTANT: A 20 lb LP gas fuel tank must be purchased separately.

IMPORTANT: The gas pressure regulator/hose assembly supplied with the grill must be used. Replacement gas pressure regulator/hose assembly specific to your model is available from your outdoor grill dealer.

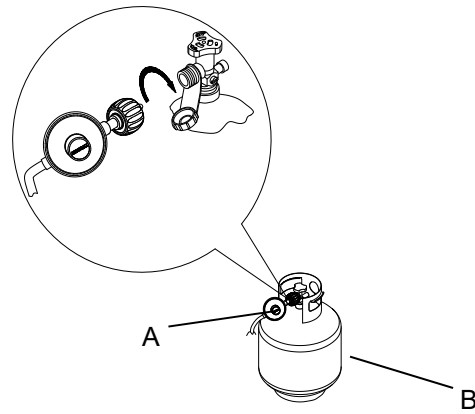
To Connect the 20 lb LP Gas Fuel Tank:

1. Check that the 20 lb LP gas fuel tank is in the "Off" position. If not, turn the valve clockwise until it stops.
2. Check that the 20 lb LP gas fuel tank valve has the proper type-1 external male thread connections per ANSI Z21.81.
3. Check that the burner control knobs are in the "Off" position.
4. Remove any debris and inspect the valve connections, port, and gas pressure regulator/hose assembly for damage.

NOTE: Always keep the LP cylinder at 90° (upright) orientation to provide vapor withdrawal.



5. Using your hand, turn the gas pressure regulator/hose assembly clockwise to connect to the 20 lb LP gas fuel tank as shown.
Hand tighten only. Use of a wrench could damage the quick coupling nut.



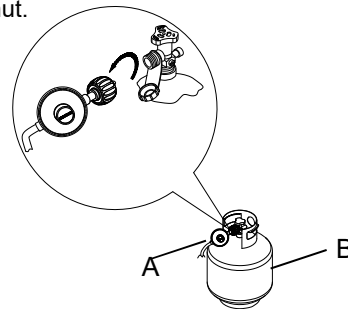
A. Gas pressure regulator/hose assembly
B. 20 lb LP gas fuel tank

Make sure that the cylinder valve connection device properly mates with the connection device attached to the inlet of the pressure regulator.

6. Open the tank valve fully by turning the valve counterclockwise. Wait a few minutes for gas to move through the gas line.
7. Before lighting the grill, test all connections by brushing on an approved noncorrosive leak-detection solution. Bubbles will show a leak.
8. If a leak is found, turn the tank valve off and do not use the grill. Contact a qualified gas technician to make repairs.
9. Go to "Check and Adjust the Burners" section.

To Disconnect the 20 lb LP Gas Fuel Tank:

1. Check that the burner control knobs are in the "Off" position and the grill is cool.
2. Check that the 20 lb LP gas fuel tank is in the "Off" position. If not, turn the valve clockwise until it stops.
3. Using your hand, turn the gas pressure regulator/hose assembly counterclockwise to disconnect to the 20 lb LP gas fuel tank as shown.
Hand loosen only. Use of a wrench could damage the quick coupling nut.



A. Gas pressure regulator/hose assembly
B. 20 lb LP gas fuel tank

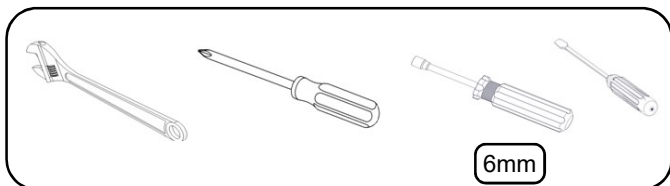
4. Place dust cap on cylinder valve outlet whenever the cylinder is not in use. Only install the type of dust cap on the valve outlet that is provided with the cylinder valve. Other types of caps or plugs may result in leakage of propane.

GAS CONVERSIONS

Tools and Parts for Gas Conversion

Gather the required tools and parts before starting installation. Read and follow the instructions provided with any tools listed here.

Tools needed



Parts supplied

- Natural gas orifices

Parts needed

■ Natural gas conversion kit Part Number 710-0003. See "Assistance" section to order. The conversion kit includes:

- Natural gas regulator 4" W.C. (marked "Natural Gas Regulator")
- 10 ft (3.0 m) Natural gas hose with quick connector
- 5.9" (150 mm) Natural gas regulator hose
- 6 mm nut driver
- 6 mm wrench
- Hex key

IMPORTANT: Gas conversions must be done by a qualified installer. Before proceeding with conversion, shut off the gas supply to the grill.

⚠ WARNING



Explosion Hazard

Use a new CSA International approved "outdoor" gas supply line.

Install a shut-off valve.

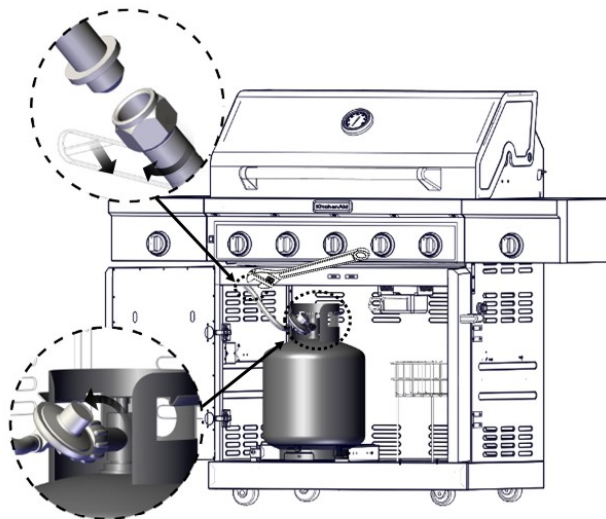
Securely tighten all gas connections.

Failure to do so can result in death, explosion, or fire.

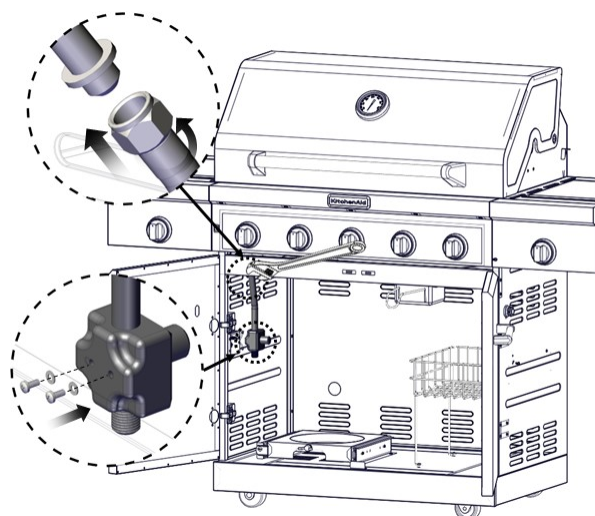
Conversion from LP Gas to Natural Gas

Installation of the regulator

1. Turn off the main gas supply valve.
2. Disconnect 20 lb LP gas fuel tank (if present).
3. Turn off all burner control valves.
4. Remove the 20 lb LP gas fuel tank (if present) from the grill cart.
5. Use an adjustable wrench to remove the LP regulator from the manifold.

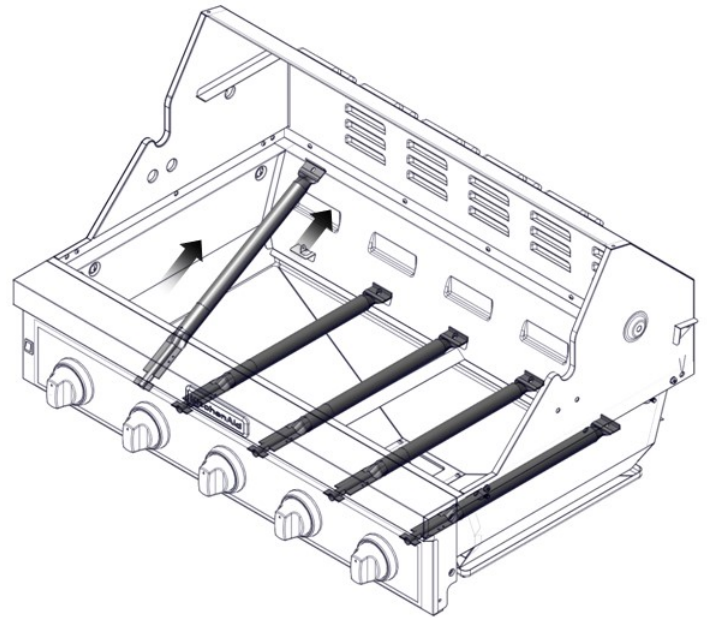
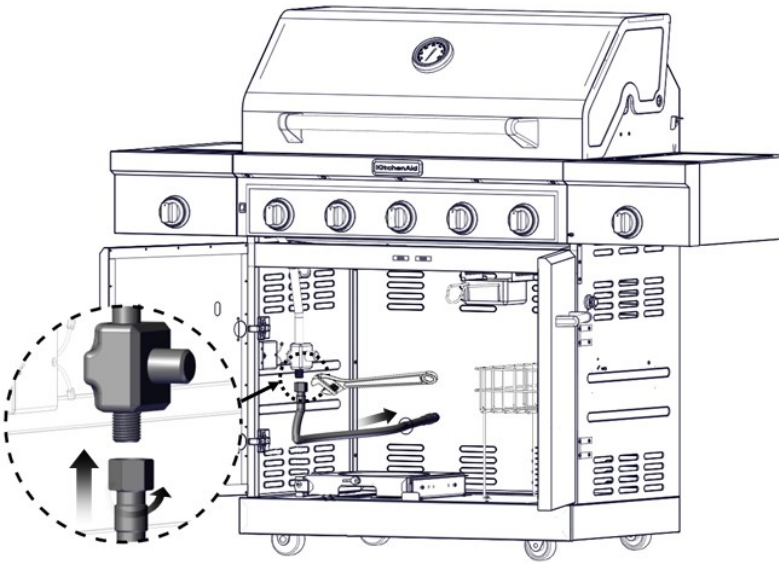


6. Use an adjustable wrench to install the Natural gas regulator hose to the manifold and secure. Attach the Natural gas regulator to the side panel inside the grill cart with the two screws that are preassembled on the regulator.

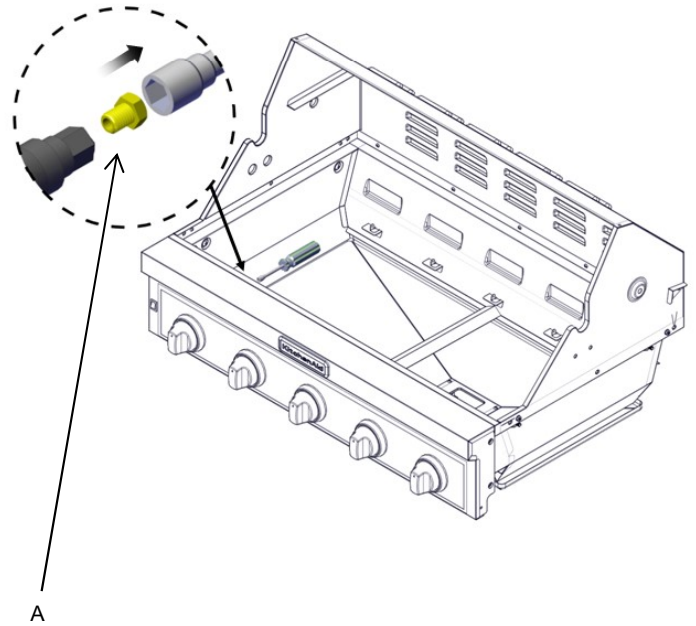


Make Gas Connection

1. A combination of pipe fittings must be used to connect the grill to the existing gas line.
 - The 10 ft (3.0 m) PVC flexible gas supply hose design certified by CSA must be used.
 - Pipe-joint compounds suitable for use with Natural gas must be used. Do not use Teflon®+ tape.
 - There must be a certified manual shut-off valve in the gas supply line near the grill for easy access.
2. Connect the brass connector on one end of the 10 ft (3.0 m) PVC flexible gas supply hose to the Natural gas pressure regulator.
3. Connect the quick connector on the other end of the 10 ft (3.0 m) PVC flexible gas supply hose to the rigid Natural gas supply pipe.



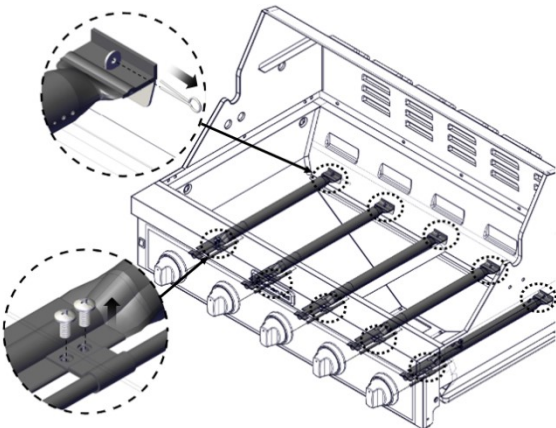
3. Use a 6 mm socket and wrench or 6 mm nut driver to remove the LP brass orifice from the end of gas valve. The main burner NG orifice is located behind the LP orifice, so no additional orifice needs to be installed.



A. Main burner orifice

Change Grill Main Burner Valve Orifices

1. Remove the grates and flame tamers.
2. Remove the 2 screws and cotter clip that hold the burner in place. Set the screw and clip aside. Remove the burner from the grill by lifting the burner out.

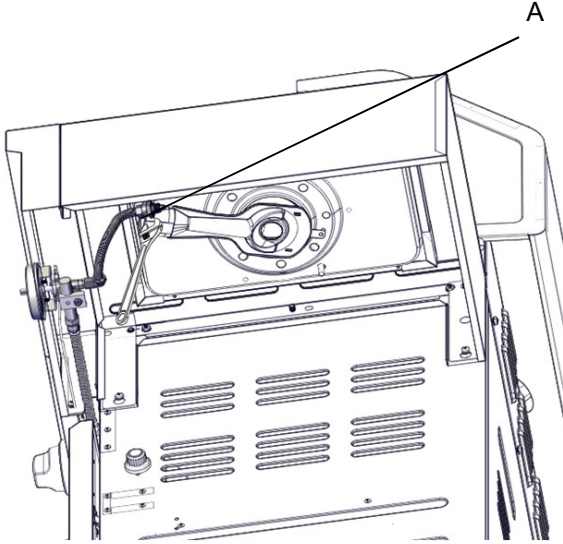


† ®TEFLON is a registered trademark of E.I. Du Pont De Nemours and Company.

- IMPORTANT:** Check that the orifice is properly installed inside of the burner opening.
4. Reinsert the burner and reattach using the 2 screws and cotter clip previously removed. Repeat the procedure for each main burner.
 5. Position the igniters so they are 1/8" (3.2 mm) away from each burner.

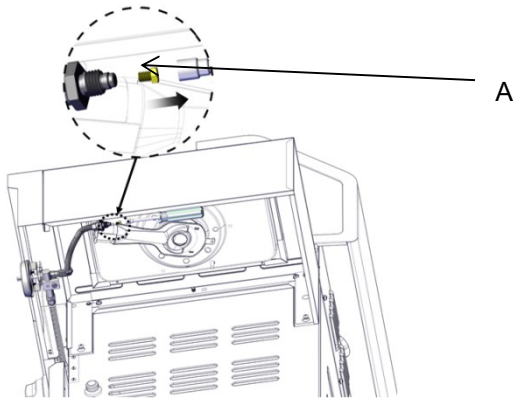
Change the Side burner Orifices

1. Use a wrench to remove the side burner orifice brass connector with flex line end to side burner tube.



A. Side burner flex end

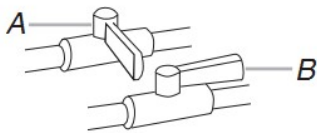
2. Use 6 mm socket wrench or 6 mm nut driver to remove the orifice. Replace with the Natural gas orifice.



A. Orifice

IMPORTANT: Check that the orifice is properly installed inside of the valve.

3. Reinstall side burner, tighten the side burner orifice brass connector and side burner tube by using a wrench.
4. Open the manual shutoff valve in the gas supply. Then valve is open when the handle is parallel to the gas pipe.

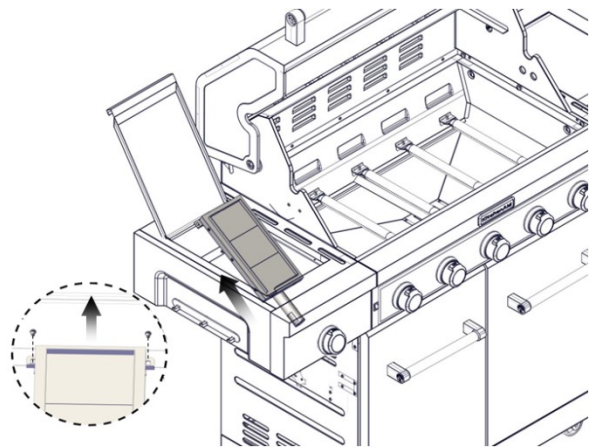
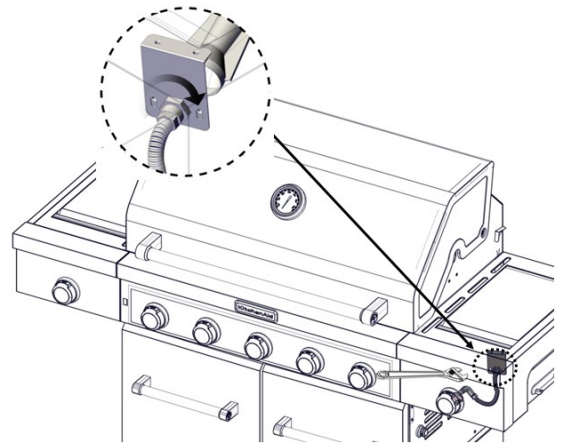


A. Closed valve
B. Open valve

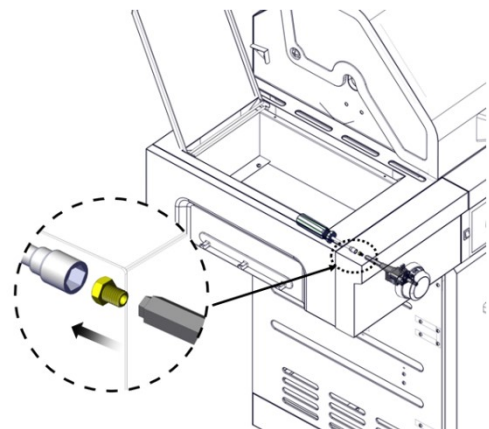
5. Test all connections using an approved noncorrosive leak-detection solution. Bubbles will show a leak. Correct any leak found

Change the Sear burner Orifices

1. Use a wrench to remove the sear burner orifice brass connector with flex line end to sear burner tube.

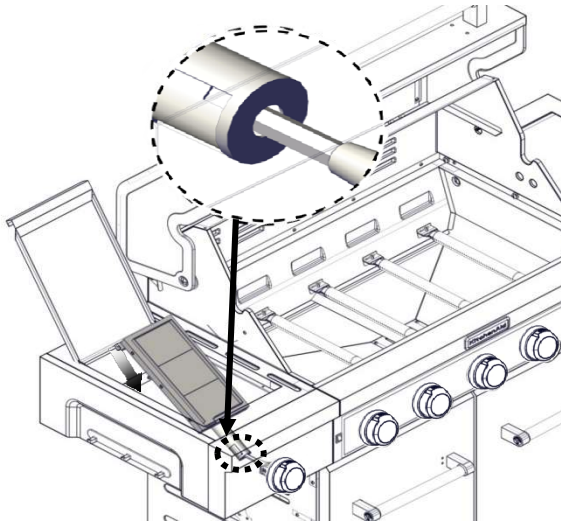


2. Use 6 mm socket wrench or 6 mm nut driver to remove the orifice. Replace with the Natural gas orifice.



IMPORTANT: Check that the orifice is properly installed inside of the valve.

3. Reinstall sear burner, tighten the sear burner orifice brass connector and sear burner tube by using a wrench.



4. Open the manual shutoff valve in the gas supply. The valve is open when the handle is parallel to the gas pipe.

5. Test all connections using an approved noncorrosive leak-detection solution. Bubbles will show a leak. Correct any leak found.

Record Conversion

1. The appliance nameplate is located inside the grill cabinet on the left-hand cabinet side. With a permanent marker, check the box next to "Natural gas" and mark through "LP-Propane."

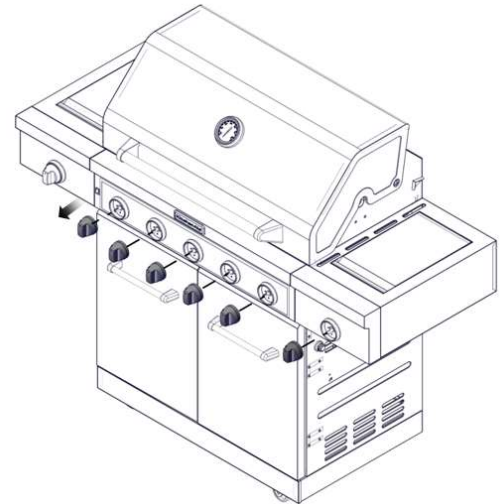
In the last page of the Use and Care Guide, write "Converted to Natural Gas." Also record the conversion date and the technician/company that performed the conversion.

Note: Place LP gas parts in plastic parts bag for future use and keep with pack containing literature.

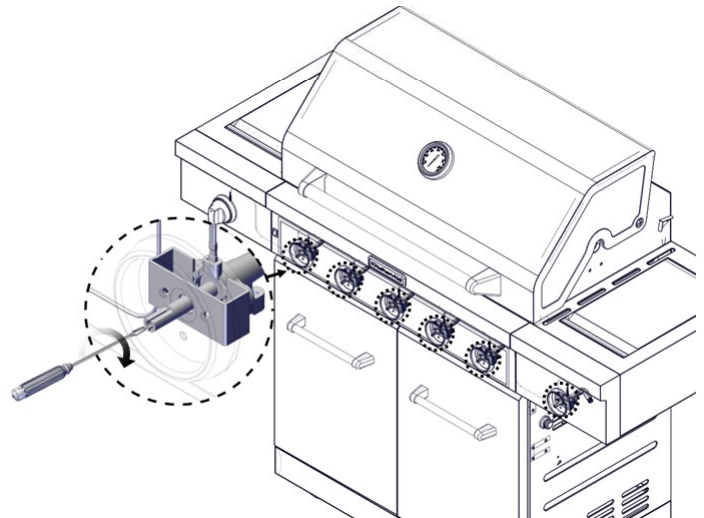
Adjust High Flame Setting Screw

When converting from LP to Natural gas, you will need to adjust the high flame setting screw for ideal burner flame height.

1. Remove each control knob for the main burners and side burner



2. Use a flat-blade screwdriver to turn the high flame setscrew counterclockwise approximate 90°.



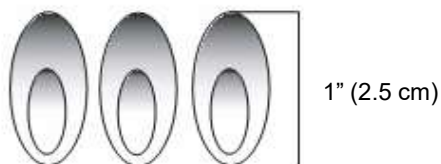
3. Check that burner operates at the new high flame setting. It may be necessary to adjust the screw setting slightly more to get the ideal burner flame height.

Check and Adjust the Burners

The burners are tested and factory-set for most efficient operation. However, variations in gas supply and other conditions may make minor adjustments to air shutter or low flame setting necessary. It is recommended that a qualified person make burner adjustments. Checking and adjusting the grill burner flames requires removing the grates and flame tamers.

Burner Flame Characteristics

The flames of the grill burners and side burners (on some models) should be blue and stable with no excessive noise or lifting (LP gas flames will have a slightly yellow tip). A yellow flame indicates not enough air. If flame is noisy or lifts away from the burner, there is too much air. Some yellow tips on flames when the burner is set to HIGH setting are acceptable as long as no carbon or soot deposits appear. The flames should be approximately 1" (2.5 cm) high.

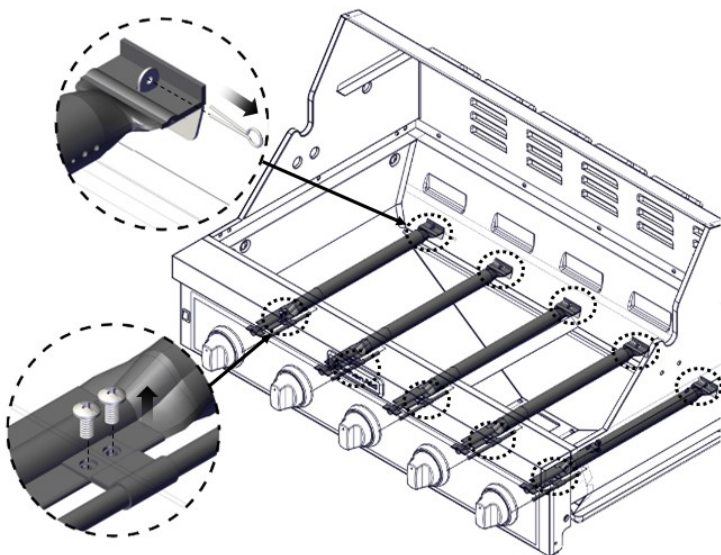


Check that burners are not blocked by dirt, debris, insect nests, etc., and clean as necessary. If they are clean, adjust air shutters as needed.

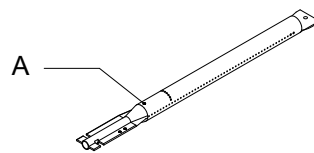
IMPORTANT: Before adjusting air shutters, let burners cold down completely.

To Adjust:

1. Light grill using information in the "Outdoor Grill Use" section.
2. Observe flame to determine which burners need adjustment and how the flame is acting.
3. Turn off the valve and wait until grill and burners cool completely.
4. Remove grill grates and flame tamers.
5. Remove the 2 screws and cotter pin that hold the burner in place. Remove gas burner from the grill.



6. If flame is yellow (not enough air), turn air shutter adjustment screw counterclockwise.
If flame is noisy or lifts away from burner (too much air), turn air shutter adjustment screw clockwise.



A. Air shutter adjustment screw

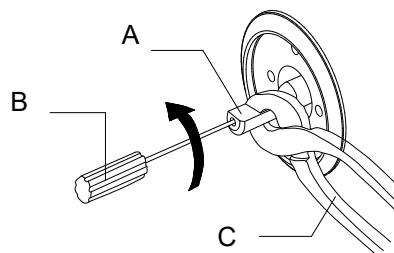
Adjustment should be made clockwise or counter clockwise from 1/8" (3.2 mm) to 1/4" (6.4 mm).

7. Replace gas burner, sear plates and grates.
8. Light grill using information in the "Outdoor Grill Use" section. See "Burner Flame Characteristics"

Low Flame Adjustment

If flame goes out on the "LOW" setting, the low flame setting must be adjusted.

1. Turn off the valve and wait until grill and burners are cool.
2. Remove grill grates and flame tamers.
3. Light grill using information in the "Outdoor Grill Use" section.
4. Turn burner to its lowest setting.
5. Remove each control knob for the main burners and side burner by loosening the setscrew with the hex key.
6. Hold valve stem with pliers and insert a small flat-blade screwdriver into the shaft.
7. Watch the flame and slowly turn the screwdriver counterclockwise.
8. Adjust flame to minimum stable flame.



A. Valve stem
B. Small flat-blade screwdriver
C. Pliers

9. Replace the control knob and turn off the burner.
10. Repeat steps 3 through 9 for each burner if needed.
11. Replace the flame tamers and grates after the burners have been cooled.

OUTDOOR GRILL USE

This manual covers several different models. The grill you have purchased may have some or all of the features listed. The locations and appearances of the features shown here may not match those of your model.

Control Panel



Sear burner knob

main burner knobs

Side burner knob

Using Your Outdoor Grill

⚠ WARNING



Explosion Hazard

Do not store fuel tank in a garage or indoors.
Do not store grill with fuel tank in a garage or indoors.
Failure to follow these instructions can result in death, explosion, or fire.

⚠ WARNING



Fire Hazard

Do not use grill near combustible materials.
Do not store combustible materials near grill.
Doing so can result in death or fire.

⚠ WARNING

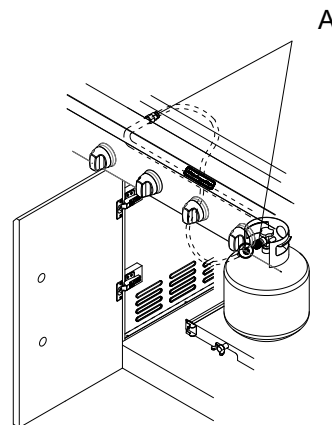
Food Poisoning Hazard

Do not let food sit for more than one hour before or after cooking.
Doing so can result in food poisoning or sickness.

Inspect the LP Gas Fuel Tank Supply Hose

Inspect the gas pressure regulator/hose assembly before each use.

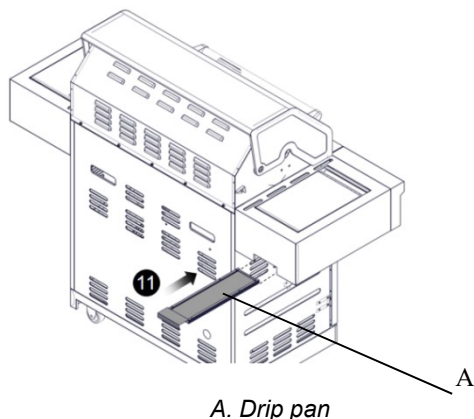
1. Open left -hand cabinet door.
2. Inspect the gas pressure regulator/hose assembly for cuts, abrasions, or excessive wear.
3. If necessary, replace the gas pressure regulator/hose assembly before using the grill.
Contact the dealer and use only replacement hoses specified for use with the grill.



A. Gas pressure regulator/Hose assembly

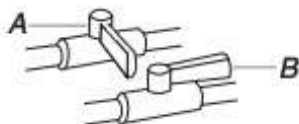
Prepare the Grill for Lighting

1. Open the hood completely. Do not light burners with the hood closed.
2. Make sure control knobs are turned to OFF. The drip pan must be in place and push all the way to back.



Turn the Gas Supply On

1. For outdoor grills using a 20 lb LP gas fuel tank:
Slowly open the tank valve.
NOTE: If flow limiting device activates, your grill may not light. If your grill does light, the flames will be low and will not heat properly. Turn tank valve and all control knobs off and wait 30 seconds. After shutting off the tank, very slowly open tank valve and wait 5 seconds before lighting.
2. For outdoor grills using gas supply source other than a 20 lb LP gas fuel tank:
Open the manual shutoff valve in the gas supply line. The valve is open when the handle is parallel to the gas pipe.

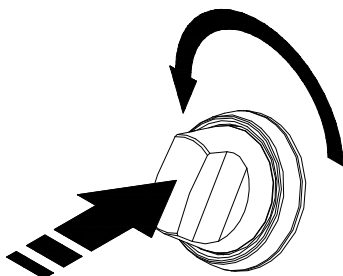


A. Closed valve
B. Open valve

Lighting the Grill Burners

IMPORTANT: If burner does not light immediately, turn the burner knob to OFF and wait 5 minutes before relighting.

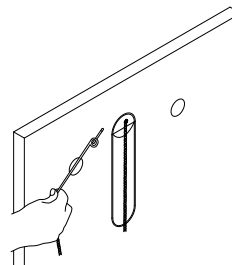
1. Open the hood completely. Do not light burners with the hood closed.
2. Do not lean over the grill.
3. Select the burner you want to light. Push in and turn the grill burner control knob to IGNITE/HIGH, while continuing to hold it in.



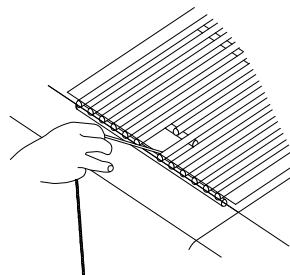
4. You will hear the “snapping” sound of the spark. When burner is lit, release the knob. Turn knob to desired setting.
5. Repeat for each of the other burners as needed.

Manually Lighting Grill Burners

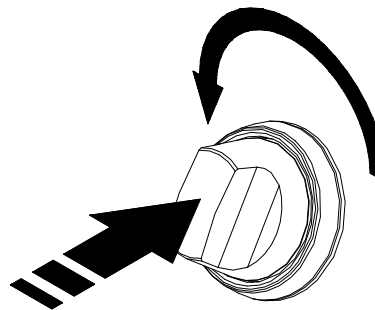
1. Open the hood completely. Do not light burners with hood closed.
2. Do not lean over the grill.
3. Remove the manual lighting extension (see following illustration) and attach a match to the split ring.



4. Strike the match to light it.
5. Guide the lit match under the grill grate.



6. Push in and turn the burner knob to IGNITE/HIGH for the burner closest to the lit match. The burner will light immediately. When burner is lit, turn knob to desired setting.



7. Repeat steps 2 through 6 for each main burner.
8. Remove match and replace manual lighting extension on the right side panel.

IMPORTANT:

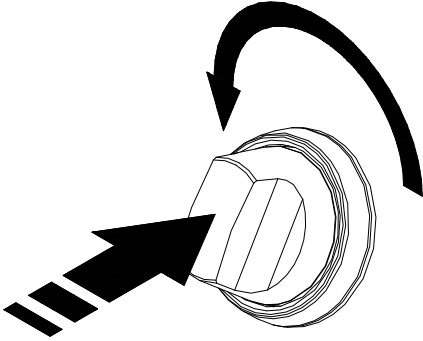
If burner does not light immediately, turn the burner knob to OFF and wait 5 minutes before relighting.

If any burners do not light after attempting to light them manually, contact the Customer Service Center. See the “Assistance” section.

Using Your Side Burner and Sear Burner

Lighting the Side Burner and Sear Burner

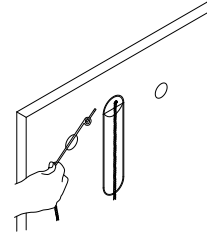
1. Open the side burner cover. Do not light burners with the cover on.
2. Do not lean over the grill.
3. Push in and turn the grill control knob to IGNITE/HIGH, while continuing to hold it in.



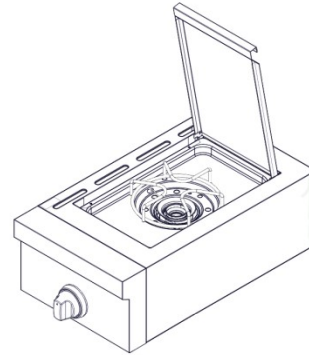
IMPORTANT: If burner does not light immediately, turn the burner knob to OFF and wait 5 minutes before relighting.

Manually Lighting The Side Burner and Sear Burner

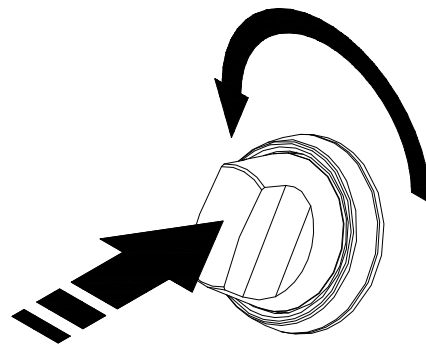
1. Open the hood completely. Do not light burners with the hood closed.
2. Do not lean over the grill.
3. Remove the manual lighting extension (see the following illustration) and attach a match to the split ring.



4. Strike the match to light it.
5. Hold the lit match close to the burner.



6. Push in and turn the control knob to IGNITE/HIGH. For the burner closest to the lit match. The burner will light immediately. When burner is lit, turn knob to desired setting.



7. Repeat steps 3 through 6 for each burner.
8. Remove the match and replace the manual lighting extension on the right side panel.

IMPORTANT:

If burner does not light immediately, turn the burner knob to OFF and wait 5 minutes before relighting.
If any burners do not light after attempting to light them manually, contact the Customer Service Center. See the "Assistance" section.

TIPS FOR OUTDOOR GRILLING

WARNING

Food Poisoning Hazard

Do not let food sit for more than one hour before or after cooking.

Doing so can result in food poisoning or sickness.

Before Grilling

- Thaw food items before grilling.
- Preheat grill on high (use all grill burners) 10 minutes. The hood must be closed during preheating. Preheating provides the high heat needed to brown and seal the juices.
- Shorten the preheat time when grilling high-fat cuts of meat or poultry, such as chicken thighs. This will help reduce flare-ups.
- Lightly oil the grill grates or the food when cooking low-fat cuts of meat, fish or poultry, such as lean hamburger patties, shrimp or skinless chicken breasts.
- Using too much oil can cause gray ash to deposit on food. Trim excess fat from meats prior to cooking to reduce flare-ups.
- Make vertical cuts at 2" (5 cm) intervals around the fat edge of meat to avoid curling.
- Add seasoning or salt only after the cooking is finished.

During Grilling

- Turn foods only once. Juices are lost when meat is turned several times.
 - Turn meat just when juices begin to appear on the surface.
 - Avoid puncturing or cutting the meats to test doneness. This allows juices to escape.
 - It may be necessary to lower the heat setting for foods that cook a long time or are marinated or basted in a sugary sauce.
 - If using a high flame, add barbecue sauce only during the last 10 minutes of cooking to avoid burning the sauce.
 - The degree of doneness is influenced by the type of meat, cut of meat (size, shape and thickness), heat setting selected, and length of time on the grill.
 - Cooking time will be longer with an open grill cover.
-

Cooking Methods

Direct Heat

Cooking by direct heat means the food is placed on grill grates directly above lighted burners. Hood position can be up or down. If hood is in the up position, total cooking times may be longer.

Direct heat sears the food. Searing is a process that seals natural juices in food by cooking with intense heat for a short period of time. While juices stay inside, the outside is browned with a flavorful grilled coating.

Indirect Heat

For best results, do not select the indirect heat cooking method when it is windy.

Cooking by indirect heat means the food is placed on the grill grate above an unheated burner, allowing heat from lighted burner(s) on either side to cook the food.

If possible, turn on 2 burners. Cook with the hood down. This will shorten the cooking time.

Grilling Chart

- Knobs have High, Medium and Low settings for flame adjustment.
- Heat settings indicated are approximate.
- Grilling times are affected by weather conditions.
- When 2 temperatures are listed, for example: Medium to Medium-Low, start with the first and adjust based on cooking progress.
- Cooking times may vary from chart times depending on the type of fuel, Natural or LP gas.

FOOD	COOKING METHOD/ BURNER SETTING	INTERNAL TEMP.	TIME (total minutes)	SPECIAL INSTRUCTIONS
Beef				
Hamburgers ½" (1.3 cm) to ¾" (1.9 cm) thick	DIRECT Medium	Medium (160° F/71° C)	10-15	Grill, turning once.
Roasts Rib Eye, Sirloin	INDIRECT Medium/OFF/Medium	Med-Rare (145° F/63° C) to Medium (160° F/71° C)	32-40 per lb (12-15 per kg)	Tent with foil first 45-60 minute; of cooking time.
Steaks, 1" (2.5 cm) Porterhouse, Rib, T-bone, Top Loin, Sirloin	DIRECT Medium	Med-Rare (145° F/63° C) to Medium (160° F/71° C)	11-16	Rotate steaks ¼ turn to create criss-cross grill marks.
Steaks, 1½" (3.8 cm) Porterhouse, Rib, T-bone, Top Loin, Sirloin	DIRECT Medium	Med-Rare (145° F/63° C) to Medium (160° F/71° C)	18-25	
Top Round or Shoulder/ Chuck (London Broil) 1½" (3.8 cm) thick	DIRECT Medium	Med-Rare (145° F/63° C) to Medium (160° F/71° C)	22-29	
Flank, ½" (1.3 cm) thick	DIRECT Medium	Med-Rare (145° F/63° C)	11-29	
Pork				
Chops, 1" (2.5 cm) 1½" (3.8 cm) thick	DIRECT T Medium to Med-Low	Medium (160° F/71° C)	12-22 30-40	
Ribs 2½-4 lbs (0.9-1.5 kg)	INDIRECT Med/OFF/Med	Medium (160° F/71° C)	40-60	Grill, turning occasionally. During last few minutes brush with barbecue sauce if desired. When done, wrap in foil.
Roast, boneless tenderloin, 1lb (0.37 kg)	DIRECT Medium	Medium (160° F/71° C)	18-22	Turn during cooking to brown on all sides.
Ham half, 8-10 lbs (3-3.7 kg)	INDIRECT Med/OFF/Med	Reheat (140° F/60° C)	2-2½ hours	Wrap entire ham in foil and put on grill without pan or drip pan
Ham steak precooked, ½" (1.3 cm) thick	DIRECT Preheat Medium Grill Medium	Reheat (145° F/63° C)	7-10	
Hot Dogs	DIRECT Medium	Reheat (145° F/63° C)	5-10	Slit skin if desired.
Chicken				
Breast, boneless	DIRECT Medium	170° F/77° C	15-22	For even cooking, pound breast to ¾" (2.0 cm) thick. Start bone side down.
Pieces, 2-3 lbs (0.75-1.1 kg)	DIRECT Med-Low to Medium	Breast 170° F/77° C Thigh 180° F/82° C		
Lamb				
Chops and Steaks, Loin, Rib, Sirloin, 1" (2.5 cm) thick	DIRECT Medium	Med-rare (145° F/63° C) to Medium (160° F/71° C)	10-20	
1½" (3.8 cm) thick	DIRECT Medium	Med-rare (145° F/63° C) to Medium (160° F/71° C)	16-20	

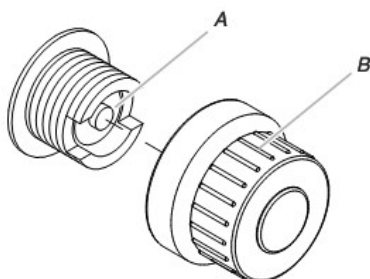
FOOD	COOKING METHOD/ BURNER SETTING	INTERNAL TEMP.	TIME (total minutes)	SPECIAL INSTRUCTIONS
Fish and Seafood				
Fillets, Steaks, Chunks Halibut, Salmon, Swordfish, 8 oz (0.25 kg)	DIRECT Medium		4-6 per ½" (1.3 cm) thickness of fish	Grill, turning once. Brush grill with oil to keep fish from sticking. Remove when inside is opaque and flaky with skin easily removed.
Whole, Catfish, Rainbow Trout, 8-11 oz (0.25-0.34 kg)	DIRECT High		5-7 per side	
Shellfish, Scallops, Shrimp	DIRECT Medium		4-8	
Turkey				
Whole breast (bone-in)	INDIRECT HI/OFF/High	170° F/77° C	14-18	Tent with foil until last 30 minutes of cooking time.
Half breast (bone-in)	INDIRECT Medium/OFF/Medium	170° F/77° C	25-30	Start skin side down.
Whole, 7-12 lbs (2.6-4.5 kg)	INDIRECT HI/OFF/HI	Breast 170° F/77° C Thigh 180° F/82° C	11-16	Less than 11 lbs (5.0kg)
Fresh Vegetables				
Corn on the cob	DIRECT Medium		20-25	Soak in cold water 20 minutes. Do not husk. Shake off excess water.
Eggplant	DIRECT Medium		7-10	Wash and cut into ½" (1.3 cm) slices or lengthwise. Brush with olive oil.
Onion, ½" (1.3 cm) thick	DIRECT Medium		8-20	Grill, turning once. Brush with olive oil. Put a skewer through several slices to hold together.
Potatoes, Sweet, whole	DIRECT Medium		40-70	Individually wrap in heavy-duty foil. Grill, rotating occasionally.
Baking, whole	DIRECT High		45-90	
Peppers, Roasted	DIRECT High		15-22	Wash and place on grill whole. Char skin all around. Cool in a paper bag or plastic wrap to loosen blackened skin. Peel and remove seeds.
Squash, Summer, Zucchini	DIRECT Medium		7-10	Wash and cut into ½ (1.3 cm) slices or lengthwise. Brush with olive oil.
Garlic Roasted	DIRECT Medium		20-25	Cut off top, drizzle with olive oil and wrap in double layer of foil

OUTDOOR GRILL CARE

Replacing the igniter Battery

If igniters stop sparking, the battery should be replaced.

1. The igniter button cap is located on the outside of the grill's right side panel.
2. Unscrew igniter button cap counterclockwise to remove.



A. "AA" size battery

B. Igniter cap

2. Remove battery from the battery compartment.
3. Replace with a new alkaline "AA" size battery. Install battery with negative end in first.
4. Screw igniter button cap clockwise into place.

General Cleaning

IMPORTANT: Before cleaning, make sure all controls are off and the grill is cool. Always follow label instructions on cleaning products.

For routine cleaning, wash with soap and water using a soft cloth or sponge. Rinse with clean water and dry at once with a soft, lint-free cloth to avoid spots and streaks.

Do not use steel wool to clean the grill, as it will scratch the surface.

To avoid weather damage to finish, use grill cover.

STAINLESS STEEL

IMPORTANT: To avoid damage to stainless steel surfaces, do not use soap-filled scouring pads, abrasive cleaners, cooktop polishing creme, steel wool, gritty wash cloths or paper towels. Cleaner should not contain chlorine. Damage may occur.

Food spills should be cleaned as soon as entire grill is cool. Spills may cause permanent discoloration.

Cleaning Method:

- Rub in direction of grain to avoid scratching or damaging the surface.
- Stainless steel cleaner.
- Liquid detergent or all-purpose cleaner.
- Rinse with clean water and dry with soft, lint-free cloth.
- Vinegar to remove hard water spots.
- Glass cleaner to remove fingerprints.

GRILL GRATES

IMPORTANT: Immediately after you are finished cooking, turn all burners to HIGH for 10-15 minutes with the hood closed to burn off food residue. Turn off all burners, raise the hood and let the grates cool. When completely cool, grill racks can be removed for thorough cleaning. Clean them with a mild detergent and warm water. For baked-on food residue, prepare a solution of 1 cup (240mL) ammonia to 1 gal. (3.75 L) water. Soak grates for 20 minutes, then rinse with water and dry completely.

WARMING SHELF

Cleaning Method:

- Liquid detergent or an all-purpose cleaner.
- Rinse with clean water and dry with soft, lint-free cloth.
- For tough spots or baked-on grease, use a commercial degreaser.

IMPORTANT: Make sure gas supply is off and all control knobs are in the OFF position.

EXTERIOR

The quality of this material resists most stains and pitting, providing that the surface is kept clean, polished and covered.

- Apply stainless steel polish to all non-cooking areas before first use. Reapply after each cleaning to avoid permanent damage to surface.
- Cleaning should always be followed by rinsing with clean warm water. Wipe the surface completely dry with a soft cloth.
- For tough spots or baked-on grease, use a commercial degreaser stainless steel.

INTERIOR

Discoloration of stainless steel on these parts is to be expected, due to intense heat from the burners. Always rub in the direction of the grain. Cleaning should always be followed by rinsing with clean, warm water.

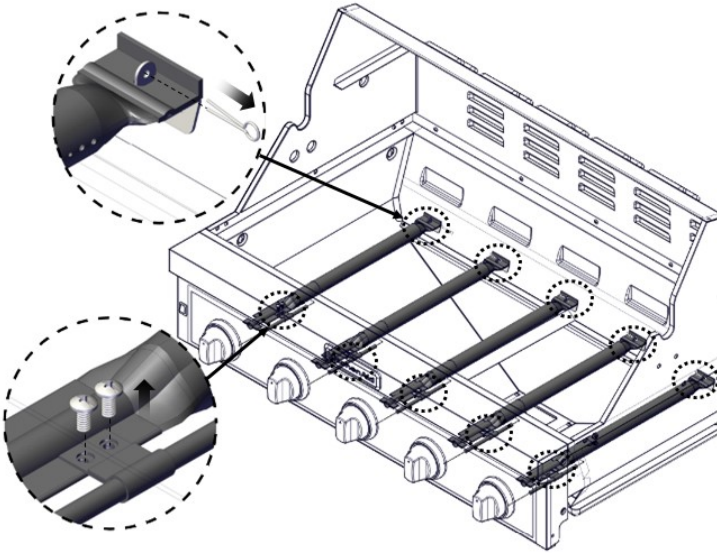
Cleaning Method:

- Liquid detergent or all-purpose cleaner.
- Rinse with clean water and dry completely with a soft, lint-free cloth.
- A heavy-duty scrub sponge can be used with mild cleaning products.
- For small, difficult-to-clean areas, use a commercial degreaser designed for stainless steel.

BURNERS

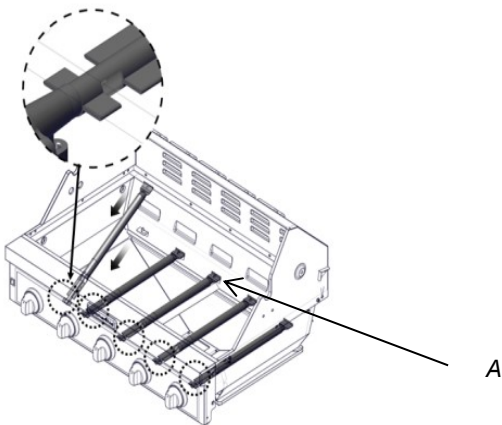
Cleaning Method:

- Clean the exterior of the burner with a wire brush.
 - Clear any clogged burner ports with a straightened paper clip.
 - Do not use a toothpick as it may break off and clog the port.
 - Check and clean burner/venturi tubes.
1. Remove grill grates and flame tamers.
 2. Remove the 2 screws and cotter pin that hold the burner in place. Remove gas burner from the grill.



use a metal coat hanger that has been straightened to clear them.

4. After inspecting the inside of burner for blockage, reassemble burner by sliding the middle tube of the gas burner over the gas orifice.



A. Burner/orifice connection

5. Reattach gas burner using screw.

SIDE /SEAR BURNERS

Cleaning Method:

- Clean the exterior of the burner with a wire brush.

GREASE CUP

IMPORTANT: The grease cup should only be removed when grill is completely cool.

The grease cup collects grease and food particles that fall through the grill. Clean often to avoid grease buildup.

Cleaning Method:

- Remove the grease cup.
- Wipe excess grease with mild detergent and warm water using paper towels.
- Rinse and dry thoroughly.
- Replace grease box.

KNOBS AND FLANGE AREA AROUND KNOBS

IMPORTANT: To avoid damage to knobs or flange area around knobs, do not use steel wool, abrasive cleaners, or oven cleaner. Do not soak knobs.

Cleaning Method:

- Mild detergent, a soft cloth and warm water.
- Rinse and dry.

CONTROL PANEL GRAPHICS

IMPORTANT: To avoid damage to control panel graphics, do not use steel wool, abrasive cleaners or oven cleaner. Do not spray cleaner directly onto panel.

Cleaning Method:

- Clean around the burner labels gently; scrubbing may remove printing.
- Mild detergent, soft cloth and warm water.
- Rinse and dry.

TROUBLE SHOOTING

Grill will not light

- **Is the 20 lb LP gas fuel tank valve turned off?**

Turn the 20 lb LP gas fuel tank on.

- **Is the grill properly connected to the gas supply?**

Contact a trained repair specialist or see Installation Instructions.

- **Is there gas in the 20 lb LP gas fuel tank?**

Check the gas level.

- **Is the igniter working?**

Check that the igniter battery is properly installed or check to see if the battery needs to be replaced. See the “Replacing the Igniter Battery” section.

Check to see if the grill will match-light. See “Manually Lighting the Grill and side burner” in the “Outdoor Grill Use” section.

Check for loose wire connections to the igniter or electrodes.

Check to see if debris is blocking the electrodes.

If a spark occurs anywhere but the igniter tip, replace the igniter.

Burner flame will not stay lit

- **Is the gas supply fully turned on?**

Check that the 20 lb LP gas fuel tank valve is fully open.

- **Is the gas supply in the 20 lb LP fuel gas tank low?**

Check the gas level.

- **Is the burner properly installed and in good condition?**

Check that the burner is installed properly. Check for defects in the burner.

Flame is noisy, low or erratic

- **Is the gas supply fully turned on?**

Check that the 20 lb LP gas fuel tank valve is fully open.

- **Is the gas supply in the 20 lb LP fuel gas tank low?**

Check the gas level.

- **Does only one burner appear low?**

Check and clean the burner ports if clogged or dirty. See “General Cleaning” section.

- **Is the gas supply hose bent or kinked?**

Straighten the gas supply hose.

- **Is the flame noisy or lifting away from the burner?**

Burner may be getting too much air. Check the air shutter adjustment, see “Check and Adjust Burners” section.

- **Is the burner flame mostly yellow or orange?**

Grill may be in an area that is too windy, or not receiving enough air. Check the burner air inlets for obstructions. Check the air shutter adjustment, see “Check and Adjust the Burners” section.

LED light is not working when the switch is at “ON” position?

- **Is the battery installed properly?**

Check if the battery installed properly in the battery box. Please refer to step 25.

- **Does the LED light wire connects the battery box properly?**

Check the connection between LED light wire and battery box, see if it is tight enough. For replacing battery box, please order part #71.

- **Does the light switch and LED wire connect properly?**

Disassemble main control panel to check the connection between light switch and LED light wire, and replace led light assembly(Part # 82) if the trouble can not be solved.

Excessive flare-ups

- **Is there excessive fat in the food being grilled?**

Keep flame on low or turn one burner off.

Keep the hood up when grilling to avoid excessive flare-ups.

Move food to the warming rack until flames subside.

To avoid damage to the grill, do not spray water on gas flames.

Low heat

LP Gas:

For outdoor grills using a 20lb LP gas fuel tank, slowly open the tank valve.

NOTE: If flow limiting device activates, your grill may not light. If your grill does light, the flames will be low and will not heat properly.

1. Turn tank valve and all control knobs off and wait 30 seconds.
2. After shutting off the tank, very slowly open the tank valve and wait 5 seconds before lighting.
3. Light the burners one at a time. See “Lighting the Grill and side burner” section.

Natural Gas:

Gas pressure is affected by size and length of the gas line from the house to the grill. Contact a qualified gas technician to provide the Natural gas supply to the selected grill location in accordance with the National Fuel Gas Code ANSI Z223.1/ NFPA54 - latest edition and local codes.

ASSISTANCE

Before calling for assistance, please check “Troubleshooting.” If you still need help, follow the instructions below.

When calling, please know the purchase date and the complete model and serial number of your appliance. This information will help us to better respond to your request.

If you need replacement parts

If you have questions or need to order replacement parts, contact Customer Service Center at **1-877-373-2301**.

Please direct all correspondence to:
Nexgrill Industries, Inc.
14050 Laurelwood Pl, Chino, CA 91710

Please include a daytime phone number in your correspondence.

Accessories

Natural Gas Conversion Kit

Order Part Number 710-0003

LIMITED WARRANTY (Model # 720/730-0893)

Nexgrill warrants to the original consumer-purchaser only that this product (Model# 720/730-0893) shall be free from defects in workmanship and materials after correct assembly and under normal and reasonable home use for the periods indicated below beginning on the date of purchase. The manufacturer reserves the right to require photographic evidence of damage, or that defective parts be returned, postage and or freight pre-paid by the consumer, for review and examination. Nexgrill's obligation is limited to repair, replacement, or depreciated value, at the option of Nexgrill.

Stainless steel tube burner: 10 year LIMITED warranty against perforation, Other burners (side burner)– 1 year

Grids and grates: 3 Year LIMITED warranty, does not cover dropping, chipping, scratching or surface damage

Stainless steel parts: 3 Year LIMITED warranty against perforation, does not cover cosmetic issue like surface corrosion, scratched and rust

All other parts: 1 Year LIMITED warranty (Includes, but not limited to, valves, frame, housing, cart, control panel, igniter, regulator, hoses); does not cover chipping, scratching, cracking surface corrosion, scratches or rust.

Upon consumer supplying proof of purchase as provided herein, Manufacturer will repair or replace the parts which are proven defective during the applicable warranty period. Parts required to complete such repair or replacement shall be free of charge to you except for shipping costs, as long as the purchaser is within the warranty period from the original date of purchase. The original consumer-purchaser will be responsible for all shipping charges of parts replaced under the terms of this limited warranty. This limited warranty is applicable in the United States only, is only available to the original owner of the product and is *not transferable*.

Manufacturer requires reasonable proof of your date of purchase. Therefore, you should retain your sales receipt and/or invoice. If the unit was received as a gift, please ask the gift-giver to send in the receipt on your behalf, to the below address. Defective or missing parts subject to this limited warranty will not be replaced without registration or proof of purchase. This limited warranty applies to the functionality of the product ONLY and does not cover cosmetic issues such as scratches, dents, corrosions or discoloring by heat, abrasive and chemical cleaners or any tools used in the assembly or installation of the appliance, surface rust, or the discoloration of stainless steel surfaces. Surface rust, corrosion, or powder paint chipping on metal parts that does not affect the structural integrity of the product is not considered a defect in workmanship or material and is not covered by this warranty. This limited warranty will not reimburse you for the cost of any inconvenience, food, personal injury or property damage. If an original replacement part is not available, a comparable replacement part will be sent. You will be responsible for all shipping charges of parts replaced under the terms of this limited warranty.

ITEMS MANUFACTURER WILL NOT PAY FOR:

- Service calls to your home.
- Repairs when your product is used for other than normal, single-family household or residential use.
- Damage resulting from accident, alteration, misuse, lack of maintenance/cleaning, abuse, fire, flood, acts of God, improper installation, and installation not in accordance with electrical or plumbing codes or use of products not approved by the manufacturer.
- Any food loss due to product failures.
- Replacement parts or repair labor costs for units operated outside the United States or Canada.
- Pickup and delivery of your product.
- Postage fees or photo processing fees for photos sent in as documentation.
- Repairs to parts or systems resulting from unauthorized modifications made to the product.
- The removal and/or reinstallation of your product.
- Shipping cost, standard or expedited, for warranty/non warranty and replacement parts.

DISCLAIMER OF IMPLIED WARRANTIES; LIMITATION OF REMEDIES

Repair or replacement of defective parts is your exclusive remedy under the terms of this limited warranty. Manufacturer will not be responsible for any consequential or incidental damages arising from the breach of either this limited warranty or any applicable implied warranty, or for failure or damage resulting from acts of God, improper care and maintenance, grease fire, accident, alteration, replacement of parts by anyone other than Manufacturer, misuse, transportation, commercial use, abuse, hostile environments (inclement weather, acts of nature, animal tampering), improper installation or installation not in accordance with local codes or printed manufacturer instructions.

THIS LIMITED WARRANTY IS THE SOLE EXPRESS WARRANTY GIVEN BY THE MANUFACTURER. NO PRODUCT PERFORMANCE SPECIFICATION OR DESCRIPTION WHEREVER APPEARING IS WARRANTED BY MANUFACTURER EXCEPT TO THE EXTENT SET FORTH IN THIS LIMITED WARRANTY. ANY IMPLIED WARRANTY PROTECTION ARISING UNDER THE LAWS OF ANY STATE, INCLUDING IMPLIED WARRANTY OF MERCHANTABILITY OR FITNESS FOR A PARTICULAR PURPOSE OR USE, IS HEREBY LIMITED IN DURATION TO THE DURATION OF THIS LIMITED WARRANTY. Neither dealers nor the retail establishment selling this product has any authority to make any additional warranties or to promise remedies in addition to or inconsistent with those stated above. Manufacturer's maximum liability, in any event, shall not exceed the documented purchase price of the product paid by the original consumer. This warranty only applies to units purchased from an authorized retailer and or re-seller.

NOTE: Some states do not allow an exclusion or limitation of incidental or consequential damages, so some of the above limitations or exclusions may not apply to you; this limited warranty gives you specific legal rights as set for herein. You may also have other rights which vary from state to state.

If you wish to obtain performance of any obligation under this limited warranty, you should write to:

Nexgrill Customer Relations
14050 Laurelwood Pl
Chino, CA 91710

All consumer returns, parts orders, general questions, and troubleshooting assistance can be acquired by calling 1-877-373-2301.

SEGURIDAD DEL ASADOR PARA EXTERIORES

Su seguridad y la seguridad de los demás es muy importante.

Hemos incluido muchos mensajes importantes de seguridad en este manual y en su electrodoméstico. Lea y obedezca siempre todos los mensajes de seguridad.



Este es el símbolo de advertencia de seguridad.

Este símbolo le llama la atención sobre peligros potenciales que pueden ocasionar la muerte o una lesión a usted y a los demás.

Todos los mensajes de seguridad irán a continuación del símbolo de advertencia de seguridad y de la palabra "PELIGRO" o "ADVERTENCIA". Estas palabras significan:

PELIGRO

Si no sigue las instrucciones de inmediato, usted puede morir o sufrir una lesión grave.

ADVERTENCIA

Si no sigue las instrucciones, usted puede morir o sufrir una lesión grave.

Todos los mensajes de seguridad le dirán el peligro potencial, le dirán cómo reducir las posibilidades de sufrir una lesión y lo que puede suceder si no se siguen las instrucciones.



PELIGRO

Si usted siente olor a gas:

1. Cierre el suministro de gas al aparato.
2. Extinga cualquier llama que esté al descubierto.
3. Abra la tapa.
4. Si continúa el olor, manténgase lejos del aparato y llame inmediatamente a su proveedor de gas o al departamento de bomberos.



ADVERTENCIA

1. No almacene ni use gasolina u otros líquidos o vapores inflamables cerca de éste o cualquier otro aparato.
2. No deberá guardarse un tanque de gas LP que no esté conectado para ser usado cerca de éste o cualquier otro aparato.

Advertencias de la Proposición 65 del estado de California:

ADVERTENCIA: Para operar, este equipo requiere el uso de gas propano, que contiene la sustancia química benceno identificada por el estado de California como causante de cáncer u otro tipo de daño en la función reproductora.

ADVERTENCIA: Este producto contiene una o más sustancias químicas identificadas por el estado de California como causantes de cáncer.

ADVERTENCIA: Este producto contiene una o más sustancias químicas identificadas por el estado de California como causantes de defectos congénitos o algún otro tipo de daños en la función reproductora.

En el estado de Massachusetts se aplican las siguientes instrucciones de instalación:

■ Las instalaciones y reparaciones se deben efectuar por un contratista, plomero o gasista calificado o licenciado por el estado de Massachusetts.

■ Si se usa una válvula de bola, debe ser un tipo de manigueta T.

■ Si se usa un conector de gas flexible no debe exceder de 3 pies.

IMPORTANTE: Este asador ha sido fabricado únicamente para uso en exteriores. Para los asadores que vayan a usarse a elevaciones por encima de 2000 pies (609,6 m), se requiere la conversión del orificio. Vea la sección "Requisitos del suministro de gas". Es la responsabilidad del instalador cumplir con los espacios de instalación mínimos especificados en la placa de clasificación de modelo/serie. La placa de clasificación de modelo/serie para modelos autónomos puede encontrarse en el interior de la puerta de la carcasa del lado izquierdo.

INSTRUCCIONES IMPORTANTES DE SEGURIDAD

ADVERTENCIA : Para reducir el riesgo de incendio, choque eléctrico, lesiones a personas o daños al usar el aparato de cocción a gas en exteriores, siga precauciones básicas, incluyendo las siguientes:

- No instale aparatos de cocción a gas portátiles o empotrados para exteriores adentro ni sobre un vehículo recreativo, remolque portátil, bote ni ningún otro tipo de instalación que esté en movimiento.
- Mantenga siempre los espacios mínimos de la construcción combustible; vea la sección "Requisitos de ubicación".
- No deberá ubicarse el aparato de cocción combustible sin protección en un lugar elevado.
- Este aparato a gas para la cocción en el exterior deberá usarse en un edificio, garaje ni ningún otra área encerrada.
- Mantenga todos los cables de suministro eléctrico y mangueras de suministro de combustible lejos de las superficies calientes.
- Mantenga el área del aparato de cocción a gas en exteriores limpia y libre de materiales combustibles, gasolina y otros vapores y líquidos inflamables.
- No obstruya el flujo de aire para la combustión y la ventilación. Mantenga las aberturas de ventilación del recinto del tanque libres de desechos y despejadas.
- Abra la puerta de la carcasa e inspeccione la manguera de suministro del tanque de gas antes de cada uso del aparato de cocción a gas en exteriores. Si la manguera da muestras de abrasión o desgaste excesivo, o si está cortada, DEBERÁ ser reemplazada antes de usar el aparato de cocción a gas en exteriores. Contáctese con el distribuidor y use solamente las mangueras de repuesto especificadas para ser usadas con el aparato de cocción a gas en exteriores.
- Inspeccione visualmente las llamas del quemador. Deberán ser azules. Para el gas LP, es normal que la punta de la llama tenga un color ligeramente amarillo. Las llamas deberán tener una altura aproximada de 1" (2,5 cm)



- Revise y limpie el quemador/tubo Venturi para ver si hay insectos y nidos de insectos. Un tubo obstruido puede ocasionar un incendio debajo del aparato de cocción a gas para exteriores.

- El tanque de suministro de gas LP a usarse deberá ser:
 - construido y marcado de acuerdo con la especificación para tanques de gas LP del U.S Department of Transportation (Departamento de transporte de EE.UU.-DOT) o de National Standard of Canada (Instituto nacional de normas de Canadá), CAN/CSA-B339, tanques, esferas y tubos para el transporte de artículos peligrosos; y por Commission.
 - provisto de un aparato de prevención de sobrellenado probado.
 - provisto de un dispositivo de conexión para el tanque que sea compatible con la conexión para aparatos de cocción a gas en exteriores.
- Revise siempre las conexiones para ver si tienen fugas cada vez que conecte y desconecte el tanque de suministro de gas LP. Consulte la sección "Instrucciones de instalación".
- Cuando no se esté usando el aparato de cocción a gas en exteriores, deberá cerrarse el gas en el tanque de suministro.
- Solamente se permitirá guardar el aparato de cocción a gas en exteriores en el interior si se desconecta el tanque y se saca el aparato de cocción a gas en exteriores.
- Los tanques deberán guardarse al aire libre, fuera del alcance de los niños y no guardarse en un edificio, garaje ni ningún área encerrada.
- Deberá usarse el ensamblaje de regulador de presión y manguera provisto con el aparato de cocción a gas en exteriores. Hay disponible con el distribuidor de aparatos de cocción a gas en exteriores un ensamblaje de regulador de presión y manguera de repuesto específico para su modelo.
- El tanque de gas deberá incluir un collarín para proteger la válvula del mismo.
- Para los aparatos diseñados para usar una conexión CGA791: Coloque una tapa guardapolvo en la salida de la válvula del tanque siempre que no se esté usando el tanque. Instale solamente el tipo de tapa guardapolvo en la salida de la válvula del tanque provista con la misma. El uso de otro tipo de tapas o tapones puede ocasionar fugas de propano.

Si no se sigue con exactitud la información a continuación, puede ocurrir un incendio, ocasionando la muerte o heridas serias.

- No guarde un tanque de gas LP de repuesto debajo de éste u otro aparato de cocción a gas en exteriores.
- Nunca llene el tanque a más de 80 % de su capacidad.

GUARDE ESTAS INSTRUCCIONES

REQUISITOS DE INSTALACIÓN

Requisitos de ubicación

⚠ ADVERTENCIA



Peligro de Explosión

No almacene un tanque de combustible en un garaje o bajo techo.

No almacene el asador con el tanque de combustible en un garaje o bajo techo.

No seguir estas instrucciones puede ocasionar la muerte, explosión o incendio.

⚠ ADVERTENCIA



Peligro de Incendio

No use el asador cerca de materiales combustibles.

No almacene materiales combustibles cerca del asador.

No seguir estas instrucciones puede ocasionar la muerte o incendio.

Elija una ubicación en donde la exposición al viento y vías de tránsito sea la mínima. La ubicación debe estar lejos de zonas con corrientes fuertes de aire.

No obstruya el flujo de aire para la combustión y la ventilación.

Espacio para la construcción combustible para el asador:

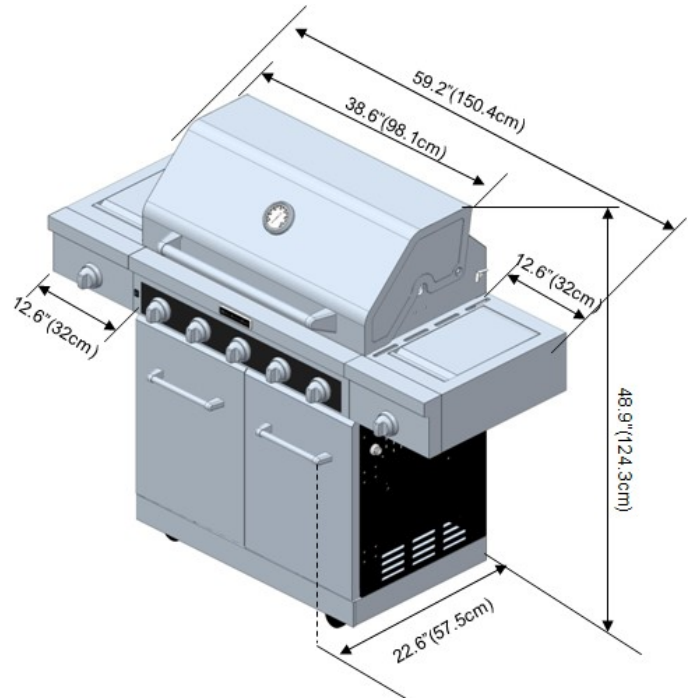
- Debe mantenerse un mínimo de 24" (61 cm) entre el frente de la capota del asador, los lados y la parte posterior del asador y cualquier construcción combustible.
- También debe mantenerse un espacio mínimo de 24" (61 cm) debajo de la superficie de cocción y de cualquier construcción combustible.

Rostizador (accesorio)*

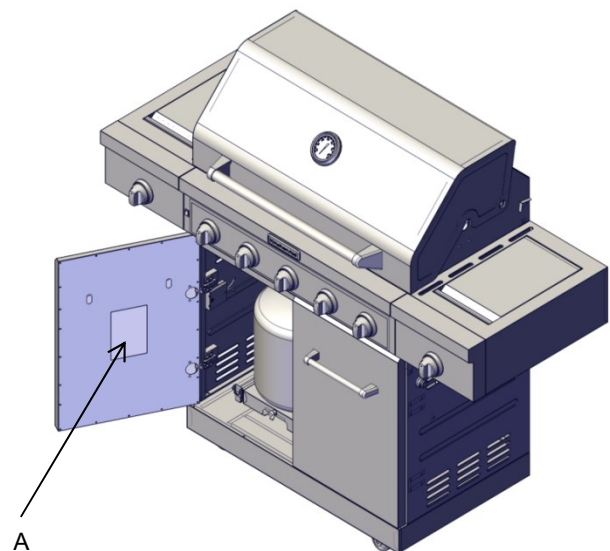
Si usted acondiciona su asador con un rostizador, se necesita un espacio mínimo de 6" (15,2 cm) para el motor del mismo. Se necesita un contacto de conexión a tierra de 3 terminales ubicado en el lado izquierdo del asador.

*Vea la sección "Asistencia" para encargarlo.

Medidas del producto




La placa de clasificación con el número de modelo/serial está ubicada en el interior de la puerta izquierda de la carcasa. Vea la ilustración siguiente.



A. Placa con el número de modelo/serie

Requisitos del suministro de gas

⚠ ADVERTENCIA



Peligro de Explosión

Use una línea de suministro de gas nueva “para exteriores” con aprobación de CSA International.

Instale una válvula de cierre.

Apriete firmemente todas las conexiones de gas.

Si se conecta a un suministro de gas LP, la presión del gas no debe exceder una columna de agua de 36 cm (14”) y debe ser verificada por una persona calificada.

Ejemplos de una persona calificada incluyen:

personal de servicio del sistema de calefacción con licencia, personal autorizado de la compañía de gas, y personal autorizado para dar servicio.

No seguir esta instrucción puede ocasionar la muerte, explosión o incendio.

Observe todos los códigos y ordenanzas aplicables.

IMPORTANTE: Esta instalación debe hacerse de acuerdo con todos los códigos y ordenanzas locales. Si no hay códigos locales, la instalación se debe realizar según el Código nacional de gas combustible (National Fuel Gas Code), ANSI Z 223.1 / NFPA 54, el Código nacional NFPA 54, el Código de instalación el Código nacional NFPA 54, el Código de instalación de gas natural y propano (Natural Gas and propane Installation Code), B149 / NFPA 1192 y el storage and Handling Code). B149.2, o el Estándar para vehículos de recreación de la series VR CSA Z240, como corresponda.

IMPORTANTE: El asador deberá ser conectado a un suministro de gas regulado.

Consulte la placa de clasificación de modelo/serie para obtener información acerca del tipo de gas que puede usarse. Si esta información no está de acuerdo con el tipo de gas disponible, verifique con su distribuidor de gas local.

Conversión de gas:

No se deberá hacer intento alguno para convertir el asador del gas especificado en la placa de clasificación de modelo/serie para utilizar un gas distinto sin consultar con el abastecedor de gas. Deberá usarse el juego para la conversión provisto con el asador. Consulte la sección “Conversiones de gas” para ver las instrucciones.

Regulador de la presión de gas

Deberá usarse el regulador de la presión de gas suministrado con este asador. Para el funcionamiento adecuado, la presión de entrada (el suministro) al regulador deberá ser como se indica a continuación:

Gas LP:

Presión de funcionamiento: 11” (27.9 cm) de presión de la columna de agua.

Presión de entrada (suministro): 11” a 14” (27.9 cm a 35.5 cm) de presión de la columna de agua.

Gas natural:

Presión de funcionamiento: 4” (10.2 cm) de presión de la columna de agua.

Presión de entrada funcionamiento: 7” a 14” (17.8 cm a 35.5 cm) de presión de la columna de agua como máximo.

Póngase en contacto con el proveedor de gas de su localidad si no está seguro acerca de la presión de entrada (suministro).

Requisitos del quemador para una altitud elevada

La capacidad nominal de entrada que se muestra en la placa de clasificación del modelo/serie es para elevaciones de hasta 2.000 pies (609,6 m).

Para elevaciones mayores de 2.000 pies (609,6 m), la capacidad se reduce a un ritmo de 4% por cada 1.000 pies (304,8 m) por encima del mar. Se necesita convertir el orificio. Vea la sección “Asistencia” para encargarlo.

Prueba de presión de la línea de suministro de gas

Prueba para una presión mayor a la presión (indicador) de una columna de agua de ½ lb / pulg² (3,5 kPa) ó 14” (35,5 cm):

El asador y su válvula de cierre individual deberán ser desconectados del sistema de tubería del suministro de gas durante toda prueba efectuada en dicho sistema a presiones de prueba mayores de ½ pulg² (3,5 kPa).

Prueba para una presión menor a la presión (indicador) de una columna de agua de ½ lb / pulg² (3,5 kPa) ó 14” (35,5 cm):

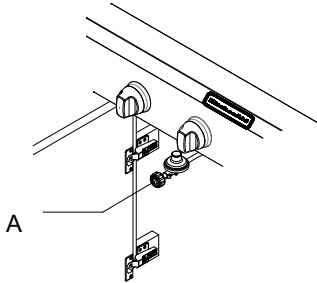
El asador deberá aislarse del sistema de tubería del suministro de gas cerrando la válvula de cierre individual manual durante toda prueba de presiones de prueba iguales o menores de ½ lb pulg² (3,5 kPa).

Requisitos Para la Conexión de Gas

Tanque de gas LP de 20 lb

Este asador está equipado para usarse con un tanque de gas LP de 20 lb (el tanque de combustible no ha sido provisto). Se ha provisto un ensamblaje de regulador de presión/manguera de gas. Cualquier marca de tanque de gas LP de 20 lb es aceptable para ser usado con el asador, siempre y cuando sea compatible con los medios de retención del asador (incluyendo la bandeja del tanque).

El diseño de este asador también está certificado por CSA International para el suministro local de gas LP o para gas natural con la conversión apropiada.

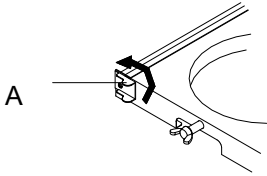


A. Ensamblaje de regulador de presión/manguera de gas

El tanque de gas LP de 20 lb deberá ser montado y asegurado.

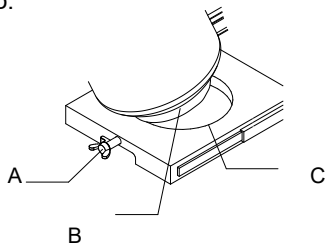
Bandeja de tanque - Estilo con puertas

1. Abra las puertas de la carcasa.
2. Deslice el soporte de sujeción de la bandeja del tanque 90° hacia la izquierda y jale la bandeja hacia fuera.



A. Soporte de sujeción de la bandeja del tanque

3. Coloque el collarín inferior del tanque de gas LP de 20 lb en el orificio de montaje que está en la bandeja del tanque.
4. Apriete el perno del tanque hacia la derecha contra el collarín inferior del tanque de gas LP de 20 lb para asegurarlo.



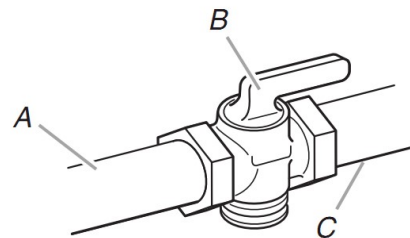
A. Tornillo de sujeción
B. Contra el collarín inferior
C. Orificio de montaje

5. Deslice el cajón con el tanque de gas LP de 20 lb nuevamente dentro de la carcasa. Gire el soporte de sujeción de la bandeja del tanque 90° hacia la derecha para apretarlo.

Conversión a gas natural

La conversión deberá llevarla a cabo un técnico de gas competente. El técnico competente de gas natural deberá proveer el suministro de gas natural en el lugar seleccionado para el asador, de acuerdo con el Código nacional de gas combustible (National Fuel Gas Code) ANSI Z223.1/NFPA 54 –última edición, y los códigos locales. Para la conversión a gas natural deberá usarse el Juego de conversión a gas natural provisto con el asador (en algunos modelos) o el Juego de conversión a gas natural, Pieza número 710-0003. Vea la sección “Asistencia” para obtener información sobre pedidos.

IMPORTANTE: La instalación de gas debe cumplir con los códigos locales o, en la ausencia de los mismos, con el Código nacional de gas combustible (National Fuel Gas Code), ANSI Z223.1/NFPA 54 - última edición. Siga las instrucciones para la conversión a gas natural en la sección “Conversiones de gas” de este manual o las instrucciones provistas con el Juego de conversión a gas natural, Pieza número 710-0003. La línea de suministro de gas deberá equiparse con una válvula de cierre aprobada. Esta válvula deberá estar ubicada en la misma área que el asador y deberá estar en un lugar que permita abrirla y cerrarla con facilidad. No bloquee el acceso a la válvula de cierre. La válvula es para abrir o cerrar el suministro de gas al asador.



A. Línea de suministro de gas
B. Válvula de cierre en posición “abierta”
C. Al asador

Conexión del suministro de gas

NOTA: Si se va a convertir el asador a gas natural, siga las instrucciones en la sección "Conversiones de gas".

Tanque de gas LP de 20 lb

⚠ ADVERTENCIA



Peligro de Explosión

Apriete firmemente todas las conexiones de gas.

Si se conecta a un suministro de gas LP, la presión del gas no debe exceder una columna de agua de 36 cm (14") y debe ser verificada por una persona calificada.

Ejemplos de una persona calificada incluyen:

personal de servicio del sistema de calefacción con licencia,
personal autorizado de la compañía de gas, y
personal autorizado para dar servicio.

No seguir estas instrucciones puede ocasionar la muerte, explosión o incendio.

Gas LP:

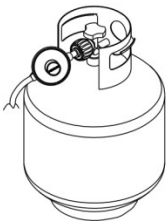
IMPORTANTE: Deberá comprarse por separado un tanque de gas LP de 20 lb.

IMPORTANTE: Deberá usarse el ensamblaje de regulador de presión/manguera de gas provisto con el asador. Hay disponible con el distribuidor de asadores para exteriores un ensamblaje de regulador de presión/manguera de gas de repuesto específico para su modelo.

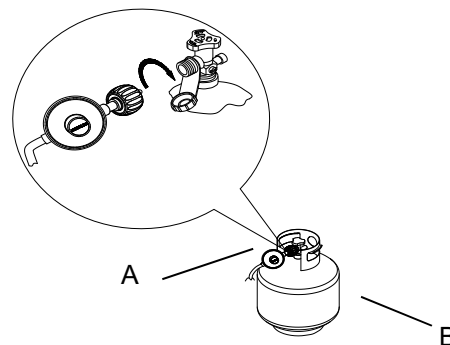
Para conectar el tanque de gas LP de 20 lb:

1. Revise que el tanque de gas LP de 20 lb esté en la posición de "Off" (Apagado). Si no es así, gire la válvula hacia la derecha hasta que se detenga.
2. Verifique que la válvula del tanque de gas LP de 20 lb tenga las conexiones externas tipo 1 de rosca macho apropiadas según la norma ANSI Z21.81.
3. Verifique que las perillas de control del quemador estén en la posición de "Off" (Apagado).
4. Quite todos los desechos e inspeccione las conexiones de la válvula, el orificio y el ensamblaje de regulador de presión/manguera de gas para ver si están dañados.

NOTA: Mantenga siempre el cilindro de gas LP en una orientación de 90° (vertical) para permitir que se escape el vapor.



5. Gire con la mano el ensamblaje del regulador de presión/manguera de gas hacia la derecha para conectarlo al tanque de gas LP de 20 lb, como se muestra. Apriete solamente con la mano. El uso de una llave de tuercas podría dañar la tuerca de acoplamiento de conexión rápida.



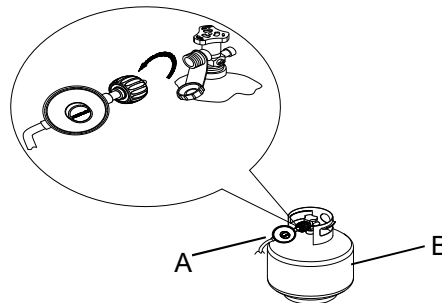
A. Ensamblaje de regulador de presión/manguera de gas
B. Tanque de gas combustible LP de 20 lb

Asegúrese de que el dispositivo de conexión de la válvula del cilindro sea adecuado para el dispositivo de conexión que está sujeto a la entrada del regulador de presión.

6. Abra por completo la válvula del tanque, girándola hacia la izquierda. Espere unos minutos para que el gas fluya en la línea de gas.
7. Antes de encender el asador, pruebe todas las conexiones aplicando con un cepillo una solución aprobada para detección de fugas que no sea corrosiva. Se observarán burbujas si hay fugas.
8. Si se encuentran fugas, cierre la válvula del tanque y no use el asador. Contacte a un técnico de gas competente para hacer reparaciones.
9. Vaya a la sección "Verificación y ajuste de los quemadores".

Para desconectar el tanque de gas combustible LP de 20 lb:

1. Vérifier que le bouton de commande de chaque brûleur est à la position de fermeture, et que le grill est froid.
2. Vérifier que la vanne de la bouteille de propane (20 lb) est fermée; si ce n'est pas le cas, fermer la vanne – rotation dans le sens horaire jusqu'à la butée.
3. Avec une main, faire tourner l'ensemble détenteur/tuyau d'alimentation dans le sens antihoraire pour le déconnecter de la bouteille de propane (20 lb) - voir l'illustration. Effectuer le desserrage à la main seulement; l'emploi d'une clef pourrait faire subir des dommages à l'écrou d'accouplement.



A. Ensamblaje de regulador de presión/manguera de gas
B. Tanque de gas combustible LP de 20 lb

4. Coloque la tapa guardapolvo en la salida de la válvula del tanque siempre que no se esté usando el tanque. Instale solamente el tipo de tapa guardapolvo en la válvula de salida provista con la válvula del tanque. El uso de otro tipo de tapas o tapones puede ocasionar fugas de propano.

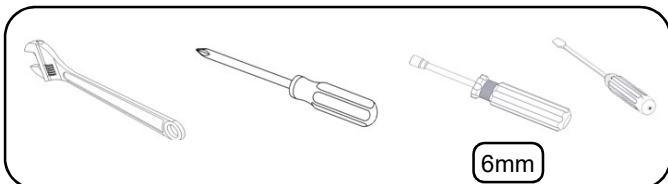
CONVERSIÓN DE GAS

Herramientas y piezas para la conversión de gas

Reúna todas las herramientas y piezas necesarias antes de comenzar la instalación.

Lea y siga las instrucciones provistas con cualquiera de las herramientas enlistadas aquí.

Herramientas necesarias



Piezas provistas

- Orificios de gas natural

Piezas necesarias

Juego de conversión a gas natural, Pieza número 710-0003. Vea la sección "Asistencia" para hacer un pedido. El juego para la conversión incluye:

- Regulador de gas natural para una columna de agua de 4" (etiquetado "Natural Gas Regulator" [Regulador de gas natural])
- Manguera para gas natural con conector rápido de 10 pies (3,0 m)
- Manguera reguladora de gas natural de 5,9" (150 mm)
- Aprietatuercas de 6 mm
- Llave de tuercas de 6 mm
- Llave hexagonal en L

IMPORTANTE: Las conversiones de gas deberán ser hechas por parte de un instalador competente. Antes de proceder a la conversión, cierre el suministro de gas al grill.

⚠ ADVERTENCIA



Peligro de Explosión

Use una línea de suministro de gas nueva "para exteriores" con aprobación de CSA International.

Instale una válvula de cierre.

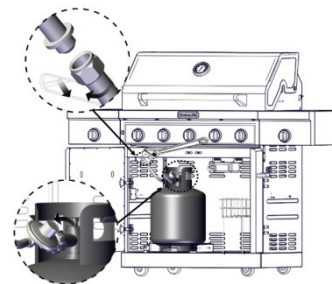
Apriete firmemente todas las conexiones de gas.

No seguir estas instrucciones puede ocasionar la muerte, explosión o incendio.

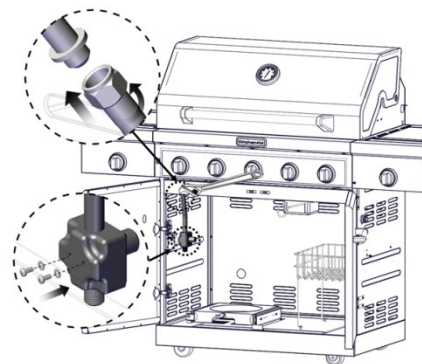
Conversión de gas LP a gas natural

Instalación del regulador

1. Cierre la válvula del suministro principal de gas.
2. Desconecte el tanque de gas LP de 20 lb (si está presente).
3. Cierre las válvulas de control de todos los quemadores.
4. Quite el tanque de gas LP de 20 lb (si está presente) del carro del asador.
5. Use una llave de tuercas ajustable para quitar el regulador de gas LP del distribuidor.

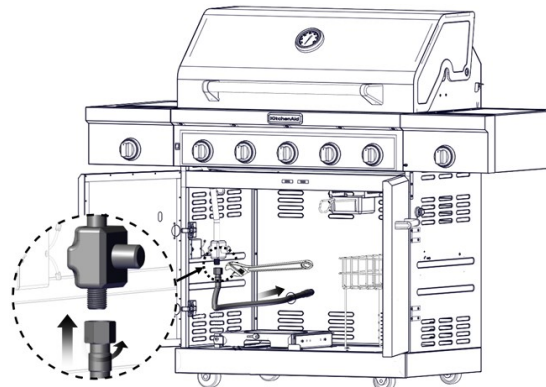


6. Use una llave de tuercas ajustable para instalar la manguera reguladora de gas natural al distribuidor y asegurarla. Sujete el regulador de gas natural al panel lateral, que está dentro del carro del asador, con los dos tornillos que están previamente ensamblados en el regulador.



Conexión del suministro de gas

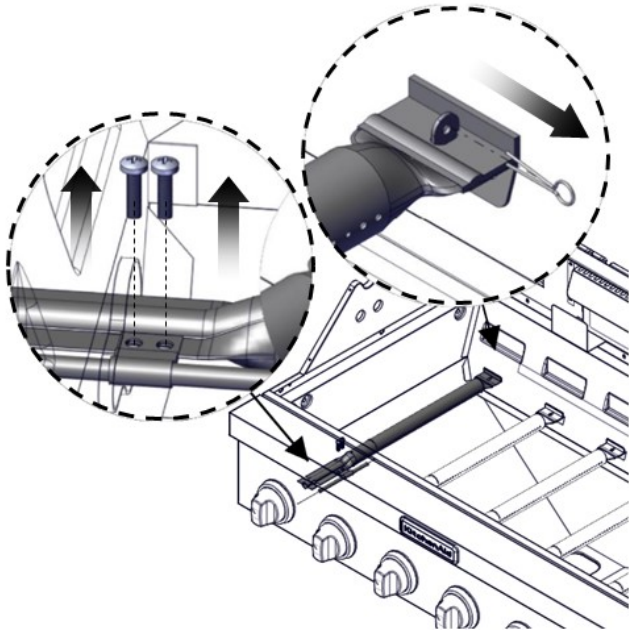
1. Se debe usar una combinación de tubos de unión para conectar el asador a la línea de suministro de gas existente.
 - Deberá usarse una manguera flexible de suministro de gas en PVC de 10 pies (3,0 m) con diseño certificado por CSA.
 - Deberán usarse compuestos para unión de tuberías adecuados para ser usados con gas natural. No use cinta Teflon†.
 - Deberá haber una válvula de cierre manual certificada en la línea de suministro de gas cerca del asador, para un acceso fácil.
2. Conecte el conector de bronce sobre un extremo de la manguera flexible de suministro de gas en PVC de 10 pies (3,0 m) al regulador de presión de gas natural.
3. Conecte el conector rápido sobre el otro extremo de la manguera flexible de suministro de gas en PVC de 10 pies (3,0 m) al tubo rígido de suministro de gas natural.



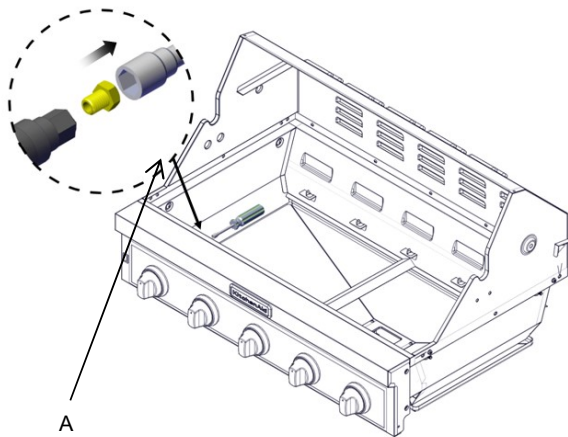
† @TEFLON es una marca registrada de E.I. Du Pont De Nemours and Company.

Cambie los orificios de la válvula del quemador del asador

1. Quite las parrillas y los difusores de llama.
2. Retire los 2 tornillos y el pasador de seguridad que sostiene al quemador en el lugar. Deje a un lado el tornillo y el pasador. Quite el quemador de la parrilla al levantarlo.



3. Use un casquillo y una llave de cubo de 6 mm o un aprietatuercas de 6 mm para quitar el orificio de bronce del extremo de la válvula de gas. El orificio del quemador principal está ubicado detrás del orificio de gas LP, de manera que no necesita instalar un orificio adicional.



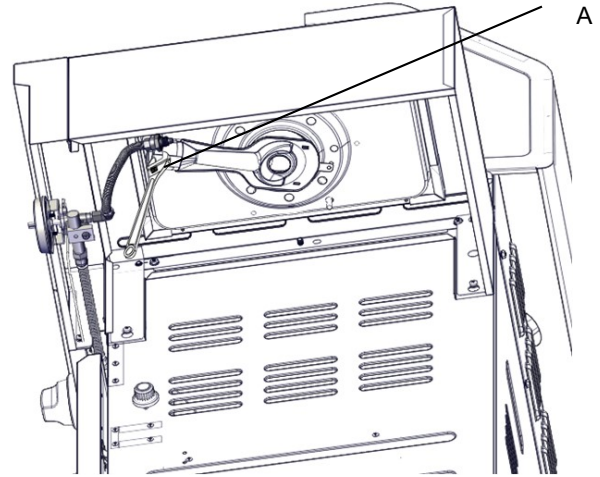
A. Orificio del quemador principal

IMPORTANTE: Verifique que el orificio esté debidamente instalado dentro de la abertura del quemador.

4. Vuelva a insertar el quemador y reajústelo usando los 2 tornillos que quitó previamente. Repita el procedimiento para cada quemador principal.
5. Coloque los encendedores de modo que estén a una distancia de 1/8" (3.2 mm) de cada quemador.

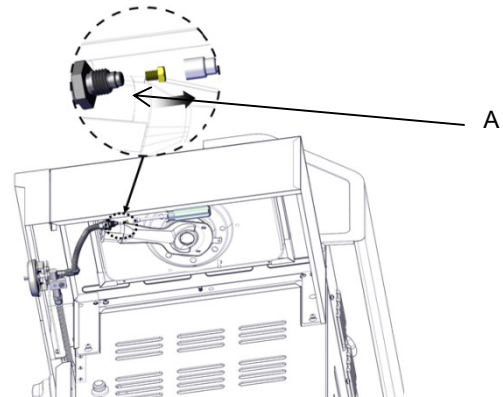
Cambie el orificio del quemador lateral

1. Utilice una llave para retirar el conector de bronce del orificio del quemador lateral con el extremo de la línea flexible que se dirige al tuno del quemador lateral.



A. Extremo flexible del quemador lateral

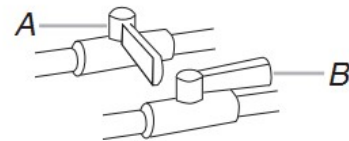
2. Use una llave de cubo de 6 mm o un aprietatuercas de 6mm para quitar el orificio. Reemplácelo con el orificio para gas natural.



A. Orificio

IMPORTANTE: Verifique que el orificio esté debidamente instalado dentro de la válvula.

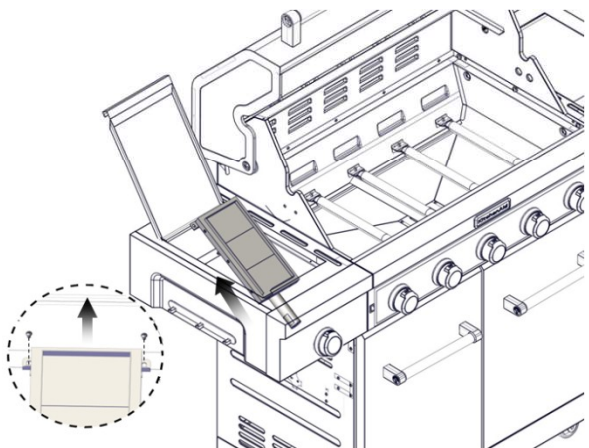
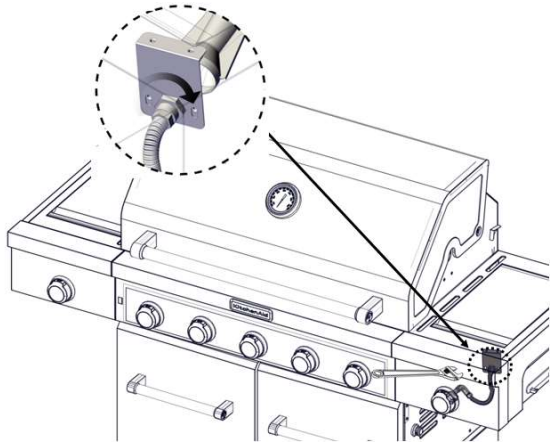
3. Vuelva a instalar el quemador lateral, ajuste el conector de bronce del orificio del quemador lateral y el tubo del quemador lateral con una llave.
4. Abra la válvula de cierre manual de la línea de suministro de gas. La válvula está abierta cuando la manija está paralela al tubo de gas.



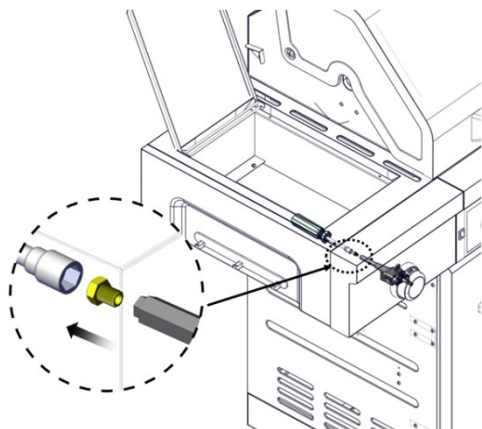
A. Válvula cerrada
B. Válvula abierta

Cambie el orificio del quemador Secador

1. Utilice una llave para retirar el conector de bronce del orificio del quemador secador. con el extremo de la línea flexible que se dirige al tuno del quemador secador .

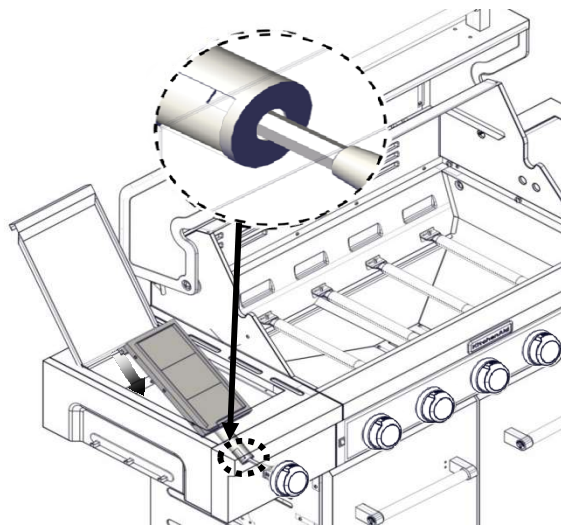


2. Use una llave de cubo de 6 mm o un aprietatuercas de 6mm para quitar el orificio. Reemplácelo con el orificio para gas natural.



IMPORTANTE: Verifique que el orificio esté debidamente instalado dentro de la válvula.

3. Vuelva a instalar el quemador secador, ajuste el conector de bronce del orificio del quemador lateral el tubo del quemador secador con una llave.

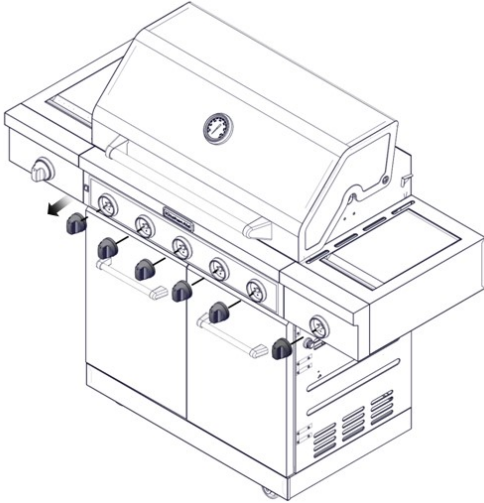


4. Abra la válvula de cierre manual de la línea de suministro de gas. La válvula está abierta cuando la manija está paralela al tubo de gas.

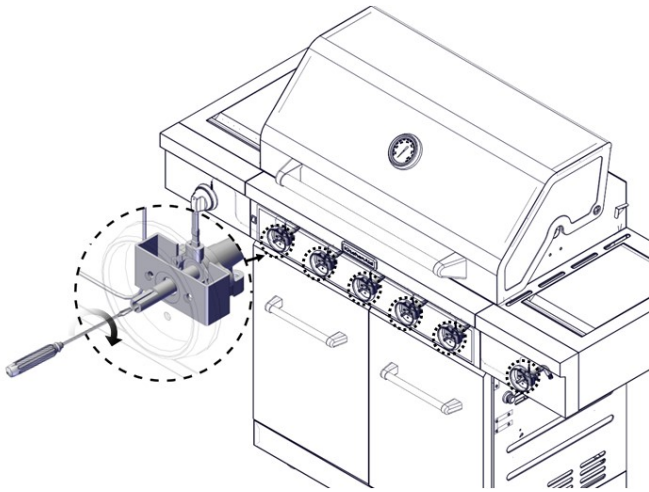
Cómo regular el tornillo de ajuste de llama alta

Cuando haga la conversión de gas LP a gas natural, necesitará regular el tornillo de ajuste de llama alta para obtener la altura ideal de la llama del quemador.

1. Jale hacia fuera cada perilla de control para el quemador principal y el quemador lateral.



2. Use un destornillador de hoja plana para girar el tornillo opresor de llama alta hacia la izquierda aproximadamente 90°.



3. Verifique que el quemador funcione en el nuevo ajuste de llama alta. Tal vez sea necesario regular el ajuste del tornillo un poco más para obtener la altura ideal de la llama del quemador.

Revise y regule los quemadores

Los quemadores han sido probados y fijados de fábrica para que funcionen de la manera más eficaz. Sin embargo, tal vez sea necesario hacer algunos ajustes menores al obturador de aire o en el ajuste de la llama baja debidos a las variaciones en el suministro de gas y otras condiciones.

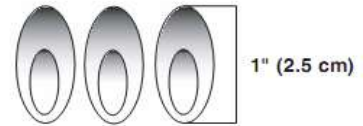
Se recomienda que los ajustes del quemador sean hechos por una persona competente.

NOTA: El quemador del rostizador no puede ajustarse.

Para revisar las llamas del quemador del asador y ajustarlas, se necesita quitar las parrillas y los difusores de llama.

Características de la llama del quemador

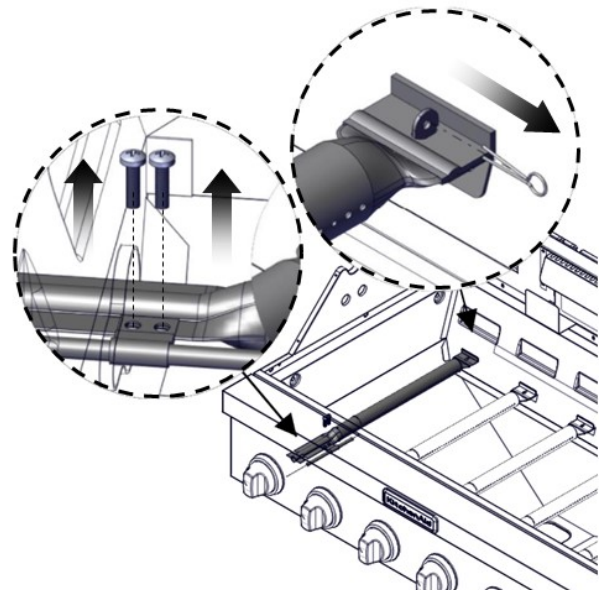
Las llamas de los quemadores del asador y los quemadores laterales (en algunos modelos) deberán ser de color azul y estables, sin ruido excesivo y sin levantarse (las llamas de gas LP tendrán la punta ligeramente amarilla). Una llama amarilla indica que no hay suficiente aire. Si la llama hace ruido o se separa del quemador, significa que hay demasiado aire. Es aceptable que algunas llamas tengan la punta amarilla cuando el quemador esté en la posición de HIGH (Alto), siempre y cuando no aparezcan depósitos de carbón u hollín. Las llamas deberán tener una altura aproximada de 1" (2,5 cm).



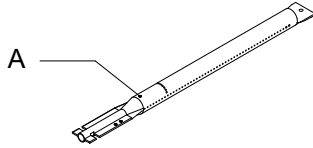
Verifique que los quemadores no estén obstruidos con suciedad, desechos, nidos de insectos, etc., y límpielos si es necesario. Si están limpios, regule los obturadores de aire si es necesario.

IMPORTANTE: Antes de regular los obturadores de aire, deje que los quemadores se enfríen por completo. Para regularlos:

1. Encienda el asador siguiendo la información en la sección "Uso del asador para exteriores".
2. Observe la llama para determinar qué quemadores necesitan ajuste y cómo actúa la llama.
3. Apague la válvula y espere hasta que el asador y los quemadores se enfríen por completo.
4. Quite las parrillas y los difusores de llama del asador.
5. Quite el tornillo y la chaveta que sujetan el asador en su lugar. Quite el quemador a gas del asador.



- Si la llama está amarilla (no hay suficiente aire), gire hacia la izquierda el tornillo de ajuste del obturador de aire.
Si la llama hace ruido o se separa del quemador (hay demasiado aire), gire hacia la derecha el tornillo de ajuste del obturador de aire.



A. Tornillo de ajuste del obturador de aire

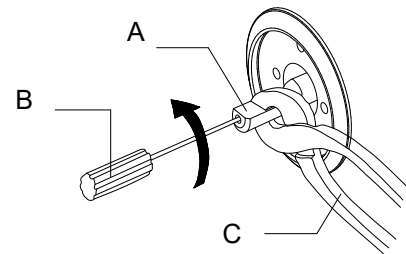
El ajuste deberá hacerse hacia la derecha o hacia la izquierda, de 1/8" (3,2 mm) a 1/4" (6,4 mm).

- Vuelva a colocar el quemador de gas, los difusores de llama y las parrillas.
- Encienda el asador siguiendo la información en la sección "Uso del asador para exteriores". Vea "Características de la llama del quemador".

Ajuste de la llama baja

Si la llama se apaga en el ajuste de llama "LOW" (Bajo), deberá regularse el ajuste de la llama baja.

- Cierre la válvula y espere hasta que el asador y los quemadores estén fríos.
- Quite las parrillas y los difusores de llama del asador.
- Encienda el asador siguiendo la información en la sección "Uso del asador para exteriores".
- Gire el quemador a su ajuste más bajo.
- Quite cada perilla de control para el quemador principal aflojando el tornillo opresor con la llave hexagonal en L. Jale hacia fuera cada perilla de control para el quemador principal y el quemador lateral.
- Sostenga el vástago de la válvula con pinzas e inserte un destornillador pequeño de hoja plana dentro del eje.
- Mire la llama y gire el destornillador lentamente hacia la izquierda.
- Regule la llama hasta obtener una llama estable mínima.



A. Vástago de la válvula
B. Destornillador pequeño de hoja plana
C. Pinzas

- Vuelva a colocar la perilla de control y apague el quemador.
- Repita los pasos 3 al 9 para cada quemador, si es necesario.
- Vuelva a colocar los difusores de llama y las parrillas después de que se hayan enfriado los quemadores.

USO DEL ASADOR PARA EXTERIORES

Este manual cubre varios modelos diferentes. La parrilla que ha comprado puede tener algunas o todas las características en la lista. Las ubicaciones y apariencias de las características aquí mostradas pueden no coincidir con las de su modelo.

Panel de control



Perilla del quemador secador

Perilla del quemador principal

Perilla del quemador lateral

Cómo usar el asador para exteriores

⚠ ADVERTENCIA



Peligro de Explosión

No almacene un tanque de combustible en un garaje o bajo techo.

No almacene el asador con el tanque de combustible en un garaje o bajo techo.

No seguir estas instrucciones puede ocasionar la muerte, explosión o incendio.

⚠ ADVERTENCIA

Peligro de Intoxicación Alimentaria

No deje sus alimentos por más de una hora antes o después de su cocción.

No seguir esta instrucción puede ocasionar intoxicación alimentaria o enfermedad.

⚠ ADVERTENCIA



Peligro de Incendio

No use el asador cerca de materiales combustibles.

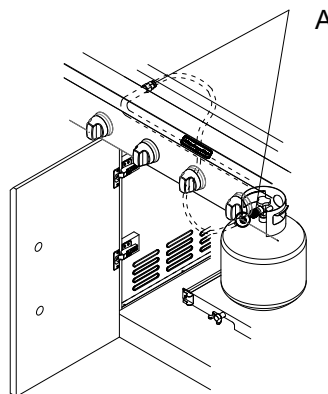
No almacene materiales combustibles cerca del asador.

No seguir estas instrucciones puede ocasionar la muerte o incendio.

Inspeccione la manguera de suministro del tanque de gas LP

Inspeccione el ensamblaje de regulador de presión/manguera de gas antes de cada uso.

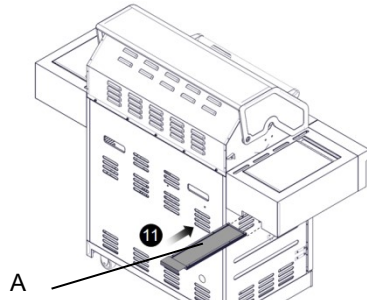
1. Abra la puerta del lado izquierdo de la carcasa.
2. Inspeccione el ensamblaje de regulador de presión/manguera de gas para ver si tiene cortes, raspaduras o desgaste excesivo.
3. Si es necesario, reemplace el ensamblaje de regulador de presión/manguera de gas antes de usar el asador. Contáctese con el distribuidor y use solamente las mangueras de repuesto especificadas para ser usadas con el asador.



A. Ensamblaje de regulador de presión/manguera de gas

Prepare el asador para encenderlo

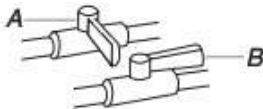
1. Abra la capota por completo. No encienda los quemadores con la capota cerrada.
2. Cerciórese de que las perillas de control estén en OFF
3. (Apagado). La bandeja de goteo deberá estar en su lugar y empujarse por completo hacia atrás.



A. Bandeja de goteo

Abra el suministro de gas

1. Para un tanque de gas LP de 20 lb: Abra lentamente la válvula del tanque.
NOTA: Si se activa el dispositivo de reducción de flujo, tal vez no se encienda el asador. Si el asador se enciende, las llamas estarán bajas y no calentarán de modo apropiado. Cierre la válvula del tanque, apague todas las perillas de control y espere 30 segundos. Después de apagar el tanque, abra la válvula del mismo lentamente y espere 5 segundos antes de encender el asador.
2. Para los asadores de exteriores que usan una fuente de suministro de gas diferente del tanque de gas LP de 20 lb: Abra la válvula de cierre manual de la línea de suministro de gas. La válvula está abierta cuando la manija está paralela al tubo de gas.

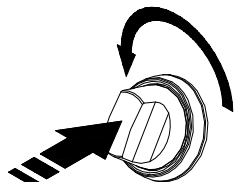


A. Válvula cerrada
B. Válvula abierta

Cómo encender el asador y el quemador lateral para dorado rápido

IMPORTANTE: Si el quemador no se enciende de inmediato, gire la perilla del quemador hacia OFF (Apagado) y espere 5 minutos antes de volver a encenderlo.

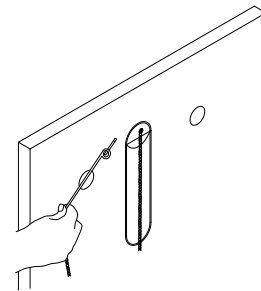
1. Abra la capota por completo. No encienda los quemadores con la capota cerrada.
2. No se apoye sobre el asador.
3. Seleccione el quemador que desea encender. Empuje hacia dentro la perilla de control del quemador del asador hacia IGNITE/HIGH (Encender/Alto), mientras continúa sosteniéndola hacia dentro.



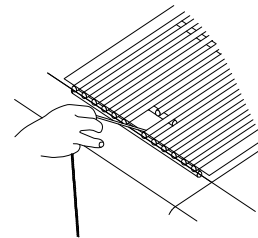
4. Escuchará el chasquido de la llama. Cuando el quemador se encienda, suelte la perilla. Gire la perilla hacia el ajuste deseado.
5. Repita el procedimiento para cada uno de los otros quemadores, si es necesario.

Cómo encender manualmente los quemadores lateral pradorado rápido

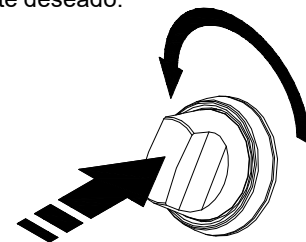
1. Abra la capota por completo. No encienda los quemadores con la capota cerrada.
2. No se apoye sobre el asador.
3. Quite la extensión de encendido manual (vea la ilustración a continuación) y sujete un cerillo al anillo partido.



4. Encienda el cerillo.
5. Guíe el cerillo encendido por debajo de la parrilla del asador.



6. Empuje la perilla del quemador hacia dentro y gírela hacia IGNITE/HIGH (Encender/Alto) para el quemador que esté más cerca del cerillo encendido. El quemador se encenderá inmediatamente. Cuando el quemador esté encendido, gire la perilla hacia el ajuste deseado.



7. Repita los pasos 2 al 6 para cada quemador principal.
8. Quite el cerillo y vuelva a colocar la extensión de encendido manual sobre el panel del lado derecho.

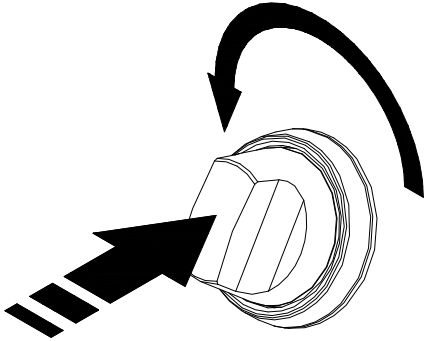
IMPORTANTE:

Si el quemador no se enciende de inmediato, gire la perilla del quemador hacia OFF (Apagado) y espere 5 minutos antes de volver a encenderlo.
Si ninguno de los quemadores se enciende después de intentar encenderlos manualmente, póngase en contacto con el Centro de servicio al cliente. Vea la sección "Asistencia".

Uso del mechero lateral y secador

Encendido del quemador lateral/ secador

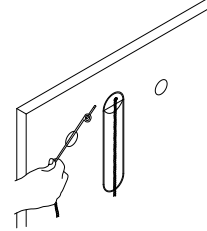
1. Quite la cubierta del quemador lateral para dorado rápido. No encienda los quemadores con la cubierta puesta.
2. No se apoye sobre el asador.
3. Empuje hacia dentro la perilla de control del quemador del asador hacia IGNITE/HIGH (Encender/Alto), mientras continúa sosteniéndola hacia dentro.



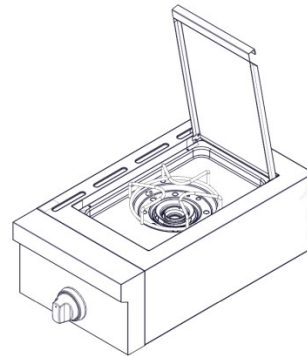
IMPORTANTE: Si el quemador no se enciende de inmediato, gire a perilla del quemador hacia OFF (Apagado) y espere 5 minutos antes de volver a encenderlo.

Encendido manual del mechero lateral/secador

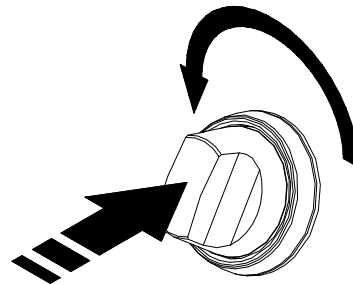
1. Levante completamente la cubierta. No encienda los quemadores con la cubierta cerrada.
2. No se apoye sobre el asador.
3. Quite la extensión de encendido manual (vea la ilustración a continuación) y sujete un cerillo al anillo partido.



4. Encienda el cerillo.
5. Sostenga el cerillo encendido cerca del quemador lateral para dorado rápido.



6. Empuje hacia dentro y gire la perilla del quemador hacia IGNITE ON (Encender - Encendido) para el quemador que esté más cerca del cerillo encendido. El quemador se encenderá inmediatamente. Cuando el quemador esté encendido, gire la perilla hacia el ajuste deseado.



7. Repita los pasos 3 al 6 para cada quemador.
8. Quite el cerillo y vuelva a colocar la extensión de encendido manual sobre el panel del lado derecho.

IMPORTANTE:

Si el quemador no se enciende de quemador hacia OFF (Apagado) y espere 5 minutos antes de inmediato, gire la perilla del volver a encenderlo. Si ninguno de los quemadores seenciende después de intentar encenderlos manualmente, póngase en contacto con el Centro de servicio al cliente. Vea a sección "Asistencia".

CONSEJOS PARA ASAR AL AIRE LIBRE

⚠️ ADVERTENCIA

Peligro de Intoxicación Alimentaria

No deje sus alimentos por más de una hora antes o después de su cocción.

No seguir esta instrucción puede ocasionar intoxicación alimentaria o enfermedad.

Antes de asar

- Descongele los alimentos antes de asarlos.
- Precaliente el asador a temperatura alta (use todos los quemadores del asador) durante 10 minutos. La capota debe estar cerrada durante el precalentamiento. No es necesario usar el quemador posterior del rostizador para el precalentamiento. El precalentamiento provee la temperatura elevada necesaria para dorar y mantener el jugo.
- Acorte el tiempo de precalentamiento cuando esté asando cortes de carne o aves con alto contenido de grasa, tales como muslos de pollo. Esto ayudará a evitar llamaradas.
- Engrase ligeramente las parrillas del asador o el alimento cuando cocine cortes de carne, pescado o aves con bajo contenido en grasa, tales como hamburguesas de carne magra, camarones o pechugas de pollo sin piel.
- Usar demasiado aceite puede hacer que la ceniza se deposite en el alimento.
- Corte el exceso de grasa de la carne antes de cocerla, para reducir las llamaradas.
- Haga cortes verticales con espacios de 2" (5 cm) alrededor del borde con grasa de la carne, para evitar que se ondule.
- Agregue el condimento o la sal solamente después de haber terminado la cocción.

Durante el asado

- Voltee los alimentos solamente una vez. Los jugos se pierden cuando se da vuelta a la carne varias veces.
- Voltee la carne solamente cuando empiece a aparecer el jugo en la superficie.
- Evite pinchar o cortar la carne para ver el punto de cocción. Esto hace que se escape el jugo.
- Tal vez sea necesario bajar el ajuste de calor para los alimentos que se cocinan durante un largo tiempo o se han adobado o rociado con una salsa azucarada.
- Si está usando una llama alta, agregue salsa para asado solamente durante los últimos 10 minutos de la cocción, para evitar quemar la salsa.
- El punto de cocción se verá afectado por el tipo de carne, corte (tamaño, forma y espesor), ajuste de calor seleccionado y su duración en el asador.
- El tiempo de cocción será más largo si la cubierta del asador está abierta.

Métodos de cocción

Calor directo

La cocción con calor directo significa que el alimento se coloca sobre las parrillas del asador directamente encima de los quemadores encendidos. La capota puede estar abierta o cerrada. Si la capota está abierta, los tiempos para la cocción total pueden prolongarse. El calor directo dora rápidamente los alimentos. El dorado rápido es un proceso mediante el cual el jugo natural queda dentro del alimento, que se cocina a un calor intenso durante un período corto de tiempo. Mientras el jugo permanece adentro, el exterior se va dorando con una sabrosa capa asada.

Calor indirecto

Para obtener mejores resultados, no seleccione el método de cocción con calor indirecto cuando esté ventoso. La cocción por calor indirecto significa que el alimento se coloca sobre la parrilla del asador, sobre un quemador sin calentar, permitiendo que el calor del (de los) quemador(es) encendido(s) en cualquiera de los lados cocine el alimento. Encienda 1 quemadores. Cocine con la capota hacia abajo. Esto acortará el tiempo de cocción.

Cuadro para asar

- Las perillas tienen ajustes High (Alto), Medium (Medio) y Low (Bajo) para ajustar la llama.
- Los ajustes de calor indicados son aproximados.
- Los tiempos de asado se verán afectados por las condiciones del tiempo.
- Cuando aparecen 2 temperaturas, por ejemplo: Medio a Medio baja, comience con la primera y regúlela según el progreso de la cocción.
- Los tiempos de cocción pueden ser diferentes de los tiempos de las tablas, según el tipo de combustible y si es gas natural o LP.

ALIMENTO	MÉTODO DE COCCIÓN/AJUSTE DEL QUEMADOR	TEMPERATURA INTERNA	DURACIÓN (total de minutos)	INSTRUCCIONES ESPECIALES
Carne de res				
Hamburguesas de un espesor de ½" (1,3 cm) a ¾" (1,9 cm)	DIRECTO Medium (Medio)	Medio (160° F/71° C)	10-15	Ase, dando vuelta una vez.
Asados de chuleta, lomo	INDIRECTO Medium/OFF/Medium (Medio/Apagado/Medio)	Medio crudo (145° F/63° C) a Medio (160° F/71° C)	32 a 40 por lb (12 a 15 por kg)	Cubra con papel de aluminio durante los primeros 45 a 60 minutos del tiempo de cocción.
Bistecs de 1" (2,5 cm) del costillar, chuleta, chuleta con hueso, cabeza de lomo, lomo	DIRECTO Medium (Medio)	Medio crudo (145° F/63° C) a Medio (160° F/71° C)	11-16	Gire los bistecs ¼ de giro para que queden marcas entrecruzadas en el asado.
Bistecs de 1½" (3,8 cm) del costillar, chuleta, chuleta con hueso, cabeza de lomo, lomo	DIRECTO Medium (Medio)	Medio crudo (145° F/63° C) a Medio (160° F/71° C)	18-25	
Cuarto trasero o paleta/ Cuarto delantero (Bistec asado) de 1½" (3,8 cm) de espesor	DIRECTO Medium (Medio)	Medio crudo (145° F/63° C) a Medio (160° F/71° C)	22-29	
Falda, espesor de ½" (1,3 cm)	DIRECTO Medium (Medio)	Medio crudo (145° F/63° C)	11-29	
Cerdo				
Chuletas, 1" (2,5 cm) y 1½" (3,8 cm) de espesor	DIRECTO Medium (Medio) a Med-Low (Medio bajo)	Medio (160° F/71° C)	12-22 30-40	
Costillas de 2½ a 4 lb (0,9 a 1,5 kg)	INDIRECTO Med/OFF/Med (Medio/Apagado/Medio)	Medio (160° F/71° C)	40-60	Ase, dando vuelta ocasionalmente. Pásele un cepillo durante los últimos minutos con salsa para asado, si lo desea. Cuando esté hecho, envuélvalo en papel de aluminio.
Asado, lomo sin hueso, 1 lb (0,37 kg)	DIRECTO Medium (Medio)	Medio (160° F/71° C)	18-22	Voltee durante la cocción para dorar todos los lados.
Jamón, mitad, 8 a 10 lb (3 a 3,7 kg)	INDIRECTO Med/OFF/Med (Medio/Apagado/Medio)	Recalentar (140° F/60° C)	2 a 2½ horas	Envuelva todo el jamón en papel de aluminio y colóquelo sobre el asador sin un sartén ni recipiente para goteos.
Bistec de jamón precocido, ½" (1,3 cm) de espesor	DIRECTO Medium (Precalear en Medio) Grill Medium (Asar en Medio)	Recalentar (145° F/63° C)	7-10	
Perros calientes	DIRECTO Medium (Medio)	Recalentar (145° F/63° C)	5-10	Corte la piel si lo desea.
Pollo				
Pechuga sin hueso	DIRECTO Medium (Medio)	170° F/77° C	15-22	Para una cocción uniforme, machaque la pechuga hasta que quede con un espesor de ¾" (2,0 cm).
En trozos, de 2 a 3 lb (0,75 a 1,1 kg)	DIRECTO Med-Low (Medio bajo) a Medium (Medio)	Pechuga 170° F/77° C Muslo 180° F/82° C		Comience con el lado del hueso hacia abajo.

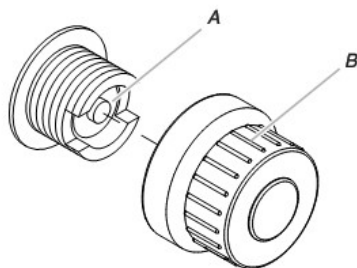
ALIMENTO	MÉTODO DE COCCIÓN/AJUSTE DEL QUEMADOR	TEMPERATURA INTERNA	DURACIÓN (totalde minutos)	INSTRUCCIONES ESPECIALES
Cordero				
Chuletas y bistecs, lomo, costillas, lomo del cuarto trasero 1" (2,5 cm) de espesor	DIRECTO Medium (Medio)	Medio crudo (145° F/63° C) a Medio (160° F/71° C)	10-20	
1½" (3,8 cm) de espesor	DIRECTO Medium (Medio)	Medio crudo (145° F/63° C) a Medio (160° F/71° C)	16-20	
Pescado y mariscos				
Filetes, bistecs, trozos	DIRECTO		4 a 6 por ½"	Ase, dando vuelta una vez. Pásele aceite con un pincel al asador, para evitar que se pegue el pescado. Quítelo cuando el interior esté opaco y escamoso, con la piel fácil de quitar.
Halibut, salmón, pez espada, 8 oz (0,25 kg)	Medium (Medio)		(1,3 cm) de espesor de pescado	
Entero, bagre, trucha arco iris, 8 a 11 oz (0,25 a 0,34 kg)	DIRECTO High (Alto)		5 a 7 por cada lado	
Marisco, ostiones, camarones	DIRECTO Medium (Medio)		4-8	
Pavo				
Pechuga entera (con hueso)	INDIRECTO HI/OFF/HI (Alto/ Apagado/Alto)	170° F/77° C	14 a 18	Cubra con papel de aluminio hasta los últimos 30 minutos del tiempo de cocción.
Media pechuga (con hueso)	INDIRECTO Medium/OFF/Medium (Medio/Apagado/ Medio)	170° F/77° C	25 a 30	Comience con el lado de la piel hacia abajo.
Entero, 7 a 12 lb (2,6 a 5,4 kg)	INDIRECTO HI/OFF/HI (Alto/Apagado/Alto)	Pechuga 170° F/77° C Muslo 180° F/82° C	11 a 16	Menos de 11 lb (5,0 kg)
Verduras frescas				
Mazorcas de maíz	DIRECTO Medium (Medio)		20-25	Ponga a remojar en agua fría durante 20 minutos. No le quite la cáscara. Sacuda el exceso de agua.
Berenjena	DIRECTO Medium (Medio)		7-10	Lave y corte en rodajas de ½" (1,3 cm) o a lo largo. Pásele aceite de oliva con un pincel.
Cebolla de ½" (1,3 cm) de espesor	DIRECTO Medium (Medio)		8-20	Ase, dando vuelta una vez. Pásele aceite de oliva con un pincel. Atraviese con un pincho varias rodajas para sostenerlas juntas.
Papas, camote, entero/a	DIRECTO Medium (Medio)		40-70	Envuelva en forma individual en papel de aluminio resistente. Ase, girando ocasionalmente.
Papa de hornear entera	DIRECTO High (Alto)		45-90	Lávelos y colóquelos enteros sobre el asador. Carbonice toda la cáscara de alrededor. Enfríelo en una bolsa de papel o en un envoltorio de plástico para aflojar la piel ennegrecida. Pélelo y quítele las semillas.
Pimientos, asados	DIRECTO High (Alto)		15-22	
Calabazas, calabacines, calabacitas	DIRECTO Medium (Medio)		7-10	Lave y corte en rodajas de ½" (1,3 cm) o a lo largo. Pásele aceite de oliva con un pincel.
Ajo asado	DIRECTO Medium (Medio)		20-25	Corte la parte superior, rocíelo con aceite de oliva y envuélvalo en una capa doble de papel de aluminio.

CUIDADO DEL ASADOR PARA EXTERIORES

Cómo reemplazar la batería del encendedor

Si los encendedores dejan de producir chispas, deberá reemplazarse la batería.

1. La tapa del botón del encendedor está ubicada en la parte exterior del panel lateral derecho del asador
2. Desatornille la tapa del botón del encendedor hacia la izquierda para quitarla.



A. Batería de tamaño "AA"
B. Tapa del encendedor

3. Quite la batería de su compartimiento.
4. Reemplácela con una nueva batería alcalina de tamaño "AA". Instale la batería comenzando con el extremo negativo.
5. Atornille la tapa del botón del encendedor hacia la derecha para colocarla en su lugar.

Limpeza general

IMPORTANTE: Antes de la limpieza, asegúrese de que todos los controles estén apagados y que el asador esté frío. Siempre siga las instrucciones que vienen en las etiquetas de los productos de limpieza.

Para una limpieza de rutina, lávelo con agua y jabón, usando un paño suave o una esponja. Enjuague con agua limpia y seque enseguida con un paño suave sin pelusa, para evitar manchas y rayas.

No use estopa de acero para limpiar el asador, ya que rayará la superficie.

Para evitar daños al acabado del asador ocasionados por el clima, use una cubierta para el mismo.

ACERO INOXIDABLE

IMPORTANTE: Para evitar daños a las superficies de acero inoxidable, no use estropajos que vienen con jabón, productos de limpieza abrasivos, crema para pulir la superficie de cocción, estopa de acero, paños ásperos ni toallas de papel.

Los productos de limpieza no deben tener cloro. Pueden ocurrir daños.

Los derrames de alimentos deberán limpiarse tan pronto como se enfríe todo el asador.

Los derrames pueden ocasionar una decoloración permanente.

Método de limpieza:

- Frote en la dirección de la veta para evitar rayar o dañar la superficie.
- Limpiador de acero inoxidable.
- Detergente líquido o producto de limpieza general
- Enjuague con agua limpia y seque con un paño suave que no deje pelusa.
- Vinagre para quitar manchas de agua dura.
- Limpiador de vidrios para quitar las huellas digitales.

PARRILLAS DEL ASADOR

IMPORTANTE: Inmediatamente después de que usted haya terminado de cocinar, gire todos los quemadores para alta de 10-15 minutos con la tapa cerrada para quemar residuos de comida. Apague todos los quemadores, levante la tapa y deje que se enfríe las rejillas. Cuando esté completamente fría, los estantes de parrilla pueden desmontarse para limpieza. Limpiarlas con un detergente suave y agua tibia. Para residuos de alimentos al horno, preparar una solución de 1 taza (240mL) de amoníaco de 1 gal. (3,75 L) de agua. Remoje las parrillas durante 20 minutos, luego enjuague con agua y seque completamente.

ESTANTE DE CALENTAMIENTO

Método de limpieza:

- Detergente líquido o producto de limpiador general.
- Enjuague con agua limpia y seque con un paño suave que no deje pelusa.
- Para manchas difíciles o grasa adherida, utilice un desengrasante comercial.

IMPORTANT: Cerciórese de que el suministro de gas esté apagado y que todas las perillas de control estén en la posición de Off (Apagado).

EXTERIOR

Debido a su calidad, este material resiste la mayoría de las manchas y las picaduras, siempre y cuando se mantenga la superficie limpia, pulida y cubierta.

- Aplique pulidor de acero inoxidable a todas las áreas que no sean de cocción antes de usarlas por primera vez. Vuelva a aplicarlo después de cada limpieza para evitar daños permanentes en la superficie.
- A la limpieza deberá seguirle siempre un enjuague con agua tibia limpia.
- Seque la superficie por completo con un paño suave.
- Para las manchas rebeldes o la grasa adherida, use un desengrasante comercial diseñado para acero inoxidable.

INTERIOR

Se espera que se decolore el acero inoxidable en estas partes, debido al calor intenso de los quemadores. Frote siempre en la dirección de la veta. A la limpieza deberá seguirle siempre un enjuague con agua tibia limpia.

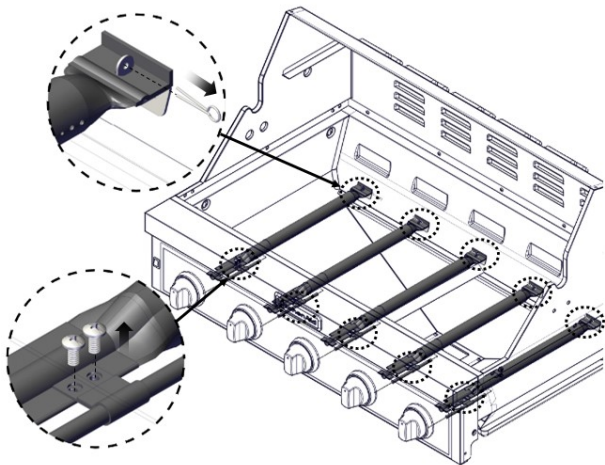
Método de limpieza:

- Detergente líquido o producto de limpieza general.
- Enjuague con agua limpia y seque por completo con un paño suave que no deje pelusa.
- Puede usarse una esponja resistente para fregar con productos de limpieza suaves.
- Para las áreas pequeñas y difíciles de limpiar, use un desengrasante comercial poderoso diseñado para acero inoxidable.

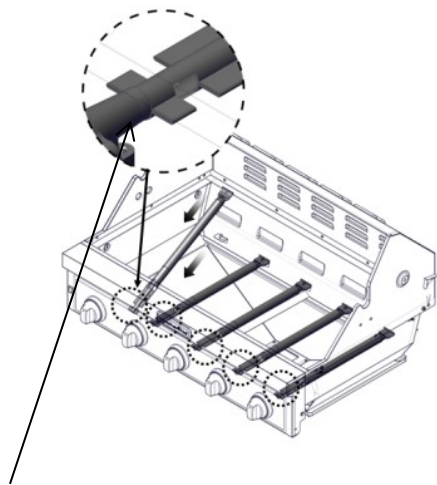
QUEMADORES

Método de limpieza:

- Limpie el exterior del quemador con un cepillo de alambre.
- Despeje los orificios del quemador que estén bloqueados con un sujetador de papeles enderezado.
- No use un palillo de dientes, ya que puede romperse y obstruir el orificio.
- Revise y limpie el quemador/tubos Venturi.
 1. Quite las parrillas y los difusores de calor del asador.
 2. Retire los 2 tornillos y el pasador de seguridad que sostiene al quemador en el lugar. Retire el quemador de gas de la parrilla.



3. Inspeccione con una linterna el interior del quemador a través de la abertura, para cerciorarse de que no esté obstruido. Si se ve alguna obstrucción, use una percha de metal enderezada para desbloquearlo.
4. Después de inspeccionar el interior del quemador para ver si está obstruido, vuelva a ensamblar el quemador deslizándolo el tubo central del quemador de gas sobre el orificio de gas.



A. Conexión del quemador/orificio

5. Vuelva a sujetar el quemador de gas con el tornillo.

MECHERO LATERAL/SECADOR

Método de limpieza:

- Limpie la parte externa del mechero lateral/secador con un cepillo de alambre.

LA COPA PARA GRASA

IMPORTANTE: La copa para grasa deberá sacarse solamente cuando el asador esté completamente frío. La copa de goteo de ancho completo recoge la grasa y las partículas de alimentos que caen a través del asador. Límpiela a menudo para evitar que se acumule la grasa.

Método de limpieza:

- Saque la copa y colóquela sobre una superficie plana.
- Limpie el exceso de grasa con toallas de papel.
- Detergente suave y agua tibia. Enjuáguela y séquela bien.
- Vuelva a colocar la copa para grasa.

PERILLAS Y ÁREA DE REBORDE ALREDEDOR DE LAS MISMAS

IMPORTANTE: Para evitar daños en las perillas o en el área de reborde alrededor de las mismas, no use estopa de acero, productos de limpieza abrasivos ni limpiador de horno.

No remoje las perillas.

Método de limpieza:

- Detergente suave, paño suave y agua tibia.
- Enjuague y seque.

ILUSTRACIONES DEL PANEL DE CONTROL

IMPORTANTE: Para evitar daños en las ilustraciones del panel de control, no use estopa de acero, productos de limpieza abrasivos ni limpiador de horno.

No rocíe el limpiador directamente sobre el panel.

Método de limpieza:

- Limpie suavemente alrededor de las etiquetas del quemador, ya que si refriega se puede borrar lo que está impreso.
- Detergente suave, paño suave y agua tibia.
- Enjuague y seque.

SOLUCIÓN DE PROBLEMAS

El asador no se enciende

• ¿Se ha cerrado la válvula del tanque de gas LP de 20 lb?

Abra el tanque de gas LP de 20 lb.

• ¿Se ha conectado debidamente el asador al suministro de gas?

Póngase en contacto con un especialista en reparación competente o vea las Instrucciones de instalación.

• ¿Hay gas en el tanque de gas LP de 20 lb?

Verifique el nivel de gas.

• ¿Funciona el encendedor?

Verifique que la batería del encendedor esté instalada como es debido o fíjese si necesita ser reemplazada. Vea la sección "Cómo reemplazar la batería del encendedor".

Fíjese si el asador se enciende con un cerillo. Vea "Cómo encender manualmente el asador principal" en la sección "Uso del asador para exteriores".

Revise si hay conexiones flojas en los alambres que van al encendedor o a los electrodos.

Revise si hay desechos bloqueando los electrodos.

Si se ve una chispa en cualquier lugar excepto en la punta del encendedor, reemplace el encendedor. igniter.

La llama del quemador no permanece encendida

• ¿Está completamente abierto el suministro de gas?

Verifique que la válvula del tanque de combustible de 20 lb de gas LP esté completamente abierta.

• ¿Tiene poco gas el tanque de gas LP de 20 lb?

Revise el nivel de gas.

• ¿Se ha instalado correctamente el quemador y está en buenas condiciones?

Verifique que el quemador esté instalado correctamente. Revise si el quemador tiene defectos.

La llama hace ruido, está baja o irregular

• ¿Está completamente abierto el suministro de gas?

Verifique que la válvula del tanque de combustible de 20 lb de gas LP esté completamente abierta.

• ¿Tiene poco gas el tanque de gas LP de 20 lb?

Revise el nivel de gas.

• ¿Sólo un quemador aparenta estar bajo?

Revise y limpie los orificios del quemador si están obstruidos o sucios. Consulte la sección "Limpieza general".

• ¿Está doblada o retorcida la manguera de suministro de gas?

Enderece la manguera de suministro de gas.

• ¿Hace ruidos la llama o se separa del quemador?

Es posible que el quemador esté recibiendo demasiado aire. Revise el ajuste del obturador de aire; vea la sección "Verificación y ajuste de los quemadores".

• ¿Está la llama del quemador casi completamente amarilla o anaranjada?

Es posible que el asador esté en un área demasiado ventosa o que no reciba suficiente aire. Revise las entradas de aire del quemador para ver si están obstruidas.

Luz LED no funciona cuando el interruptor está en la posición "ON"?

La batería está instalada correctamente?

Compruebe si la batería instalada correctamente en la caja de la batería. Por favor, consulte el paso 25.

¿El cable de luz LED conecta la caja de la batería correctamente?

Compruebe la conexión entre el cable de luz LED y caja de la batería, ver si es lo suficientemente apretado. Para la sustitución de la caja de la batería, por favor ordene parte # 71.

¿El interruptor de la luz y el cable de LED se conectan correctamente?

Desmontar el panel de control principal para comprobar la conexión entre el interruptor de la luz y el cable de luz LED, y reemplazar el montaje de luz LED (Parte # 82) si el problema no se puede resolver.

Compruebe el ajuste del obturador de aire, consulte "Comprobar y ajustar los quemadores" sección.

Llamaradas en exceso

• ¿Tiene demasiada grasa el alimento que se está asando?

Mantenga la llama baja o apague un quemador.

Mantenga la capota levantada cuando esté asando, para evitar demasiadas llamaradas.

Mueva el alimento hacia la parrilla de calentamiento hasta que disminuyan las llamas.

Para evitar daños en el asador, no rocíe agua sobre las llamas de gas.

Calor bajo

Gas L.P.:

Para los asadores para exteriores que usan un tanque de combustible para gas LP de 20 lb, abra despacio la válvula del tanque.

NOTA: Si se activa el dispositivo de reducción de flujo, tal vez no se encienda el asador. Si el asador se enciende, las llamas estarán bajas y no calentarán de modo apropiado.

1. Cierre la válvula del tanque, apague todas las perillas y espere 30 segundos.
2. Después de apagar el tanque, abra la válvula del mismo lentamente y espere 5 segundos antes de encenderlo.
3. Encienda los quemadores de a uno por vez. Vea la sección "Cómo encender el asador principal".

Gas natural:

La presión de gas se ve afectada por el tamaño y la longitud de la línea de gas desde la casa hasta el asador. Póngase en contacto con un técnico competente de gas para proveer el suministro de gas natural en el lugar seleccionado para el asador, de acuerdo con el Código nacional de gas combustible (National Fuel Gas Code) ANSI Z223.1/NFPA54 – última edición, y los códigos locales.

ASISTENCIA

Antes de solicitar ayuda, por favor consulte la sección "Solución de problemas". Si considera que aún necesita ayuda, siga las instrucciones que aparecen a continuación.

Cuando llame, tenga a mano la fecha de compra y el número completo del modelo y de la serie de su electrodoméstico. Esta información nos ayudará a atender mejor a su pedido.

Si necesita piezas de repuesto

Si tiene preguntas o necesita pedir piezas de repuesto,

contacte a Servicio al cliente al **1-877-373-2301**

Dirija toda la correspondencia a:

Nexgrill Industries, Inc.

14050 Laurelwood PI, Chino, CA 91710

Por favor incluya en su correspondencia un número de teléfono en el que se le pueda localizar durante el día.

Accesorios

Juego para la conversión a gas natural

Pida la pieza número 710-0003

GARANTÍA LIMITADA (Modelo N° 720/730-0893)

Nexgrill garantiza solamente al consumidor-comprador original de este producto (Modelo N° 720/730-0893 que el mismo estará libre de defectos en los materiales y la mano de obra después del ensamblaje correcto y bajo uso normal y razonable en el hogar, durante los períodos indicados a continuación, a partir de la fecha de compra. El fabricante se reserva el derecho de exigir evidencia fotográfica del daño o la devolución de las piezas defectuosas con los gastos por envío y/o flete prepagados por el consumidor, para su revisión y examen. La obligación del Nexgrill se limita a la reparación, reemplazo o valor depreciado, a opción de Nexgrill.

Quemadores de tubo de acero inoxidable: Garantía LIMITADA de 10 años contra perforaciones; **Otros mecheros(Mechero lateral): 1 año.**

Rejillas y parrillas: Garantía LIMITADA de 3 años; no cubre caídas, desportilladuras, rayones ni daños en la superficie.

Piezas de acero inoxidable: Garantía LIMITADA de 3 años contra perforaciones; no cubre problemas estéticos tales como corrosión en la superficie, rayones ni óxido.

Todas las otras piezas: Garantía LIMITADA de 1 año (incluye, pero sin limitación, válvulas, marco, alojamiento, carro, panel de control, encendedor, regulador, mangueras); no cubre desportilladuras, corrosión en la superficie agrietada, rayones ni óxido.

Una vez que el consumidor provea la prueba de compra como se indica en la presente, el Fabricante reparará o reemplazará las piezas que hayan probado ser defectuosas durante el período cubierto por la garantía. Las piezas necesarias para completar la reparación o el reemplazo se proveerán gratuitamente, excepto por los costos de envío, siempre y cuando el comprador esté dentro del período de la garantía a partir de la fecha de compra original. El comprador-consumidor original será responsable por todos los cargos por envío de las piezas reemplazadas bajo los términos de esta garantía limitada. Esta garantía limitada es aplicable solamente en los Estados Unidos solamente, está disponible solamente para el dueño original del producto y no es transferible. El fabricante requiere una prueba razonable de la fecha de compra. Por lo tanto, usted deberá conservar su recibo de compra y/o la factura. Si la unidad fue recibida como regalo, solicite a la persona que le hizo el regalo que envíe el recibo en su nombre a la dirección que aparece debajo. Las piezas defectuosas o faltantes que estén cubiertas por esta garantía limitada no serán reemplazadas sin el registro o la prueba de compra. Esta garantía limitada se aplica SOLAMENTE a la funcionalidad del producto y no cubre problemas estéticos tales como rayones, abolladuras, corrosión o decoloración ocasionada por el calor, los limpiadores abrasivos y químicos o cualquier herramienta usada en el ensamblaje o la instalación del aparato, óxido de la superficie o decoloración de las superficies de acero inoxidable. El óxido, la corrosión o las desportilladuras de la pintura en polvo de la superficie en las piezas de metal que no afecten la integridad estructural del producto no se considera un defecto en la mano de obra ni en los materiales, y por lo tanto no están cubiertos bajo esta garantía. Bajo esta garantía limitada, usted no recibirá un reembolso por el costo de cualquier inconveniencia, alimento, herida personal o daño a la propiedad. Si no existe una pieza original de repuesto, se le enviará una pieza de repuesto equivalente. Usted será responsable por todos los cargos por envío de las piezas reemplazadas bajo los términos de esta garantía limitada.

EL FABRICANTE NO PAGARÁ POR LOS SIGUIENTES ARTÍCULOS:

- Visitas de servicio a su hogar.
- Reparaciones cuando su producto se use de un modo diferente al doméstico o residencial normal de una familia.
- Daños causados por accidente, alteración, uso indebido, falta de mantenimiento/limpieza, abuso, incendio, inundación, actos fortuitos, instalación incorrecta, instalación que no esté de acuerdo con los códigos eléctricos o de plomería, o el empleo de productos no aprobados por el fabricante.
- Cualquier pérdida de comida debida a la falla del producto.
- Costos de piezas de repuesto o gastos de reparación para unidades que se empleen fuera de los Estados Unidos o Canadá.
- Recogida y entrega de su producto.
- Cargos por envío o cargos por procesamiento de fotos enviadas como documentación.
- Reparaciones de piezas o sistemas como resultado de modificaciones no autorizadas que se hayan efectuado en el producto.
- La remoción y/o reinstalación del producto.
- Costos por transporte, común o acelerado, para las piezas de repuesto bajo garantía o sin garantía.

■ EXCLUSIÓN DE GARANTÍAS IMPLÍCITAS; LIMITACIÓN DE RECURSOS

■ La reparación o el reemplazo de las piezas defectuosas será su único recurso bajo los términos de esta garantía limitada. El fabricante no será responsable por cualquier daño consecuente o incidental que surja del incumplimiento de esta garantía limitada o de cualquier garantía implícita que sea aplicable, ni por la falla o daños ocasionados por actos fortuitos, el cuidado y mantenimiento inadecuados, incendios ocasionados por grasa, accidentes, alteraciones, el reemplazo de piezas por parte de alguien que no sea el Fabricante, uso indebido, transporte, uso comercial, abuso, medioambientes hostiles (inclemencias del tiempo, catástrofes naturales, manipulación por parte de animales), instalación incorrecta o instalación que no esté de acuerdo con los códigos locales o las instrucciones impresas por el fabricante.

ESTA GARANTÍA LIMITADA SERÁ LA ÚNICA GARANTÍA EXPRESA OTORGADA POR EL FABRICANTE. NO EXISTIRÁ NINGUNA OTRA GARANTÍA POR PARTE DEL FABRICANTE CON RESPECTO AL DESEMPEÑO SEGÚN LA ESPECIFICACIÓN O LA DESCRIPCIÓN DEL PRODUCTO. EN DONDE SEA QUE APAREZCA, EXCEPTO EN LA MEDIDA EN QUE SE HA INDICADO EN ESTA GARANTÍA LIMITADA. TODA PROTECCIÓN POR GARANTÍAS IMPLÍCITAS QUE SURJA BAJO LAS LEYES DE CUALQUIER ESTADO, INCLUIDAS LAS GARANTÍAS IMPLÍCITAS DE COMERCIABILIDAD O DE CAPACIDAD PARA UN PROPÓSITO O USO EN PARTICULAR, ESTARÁ LIMITADA EN SU DURACIÓN A LA DURACIÓN DE ESTA GARANTÍA LIMITADA.

Ni los distribuidores, ni el establecimiento minorista que venda este producto, tendrán ninguna autoridad para hacer garantías adicionales o para prometer recursos adicionales a los establecidos anteriormente o en contra de los mismos. En todo caso, la máxima responsabilidad del fabricante no excederá del precio documentado por la compra del producto pagado por el consumidor original. Esta garantía se aplica solamente para las unidades compradas a un minorista o revendedor autorizado.

NOTA: Algunos estados no permiten la exclusión o limitación de daños incidentales o consecuentes, de modo que las limitaciones o exclusiones indicadas anteriormente pueden no aplicarse en su caso; esta garantía limitada le otorga derechos legales específicos según se indica en la presente. Es posible que usted tenga también otros derechos que varían de un estado a otro.

Si usted desea llevar a cabo una acción por cualquier obligación bajo esta garantía limitada, deberá escribir a:

**Nexgrill Customer Relations
14050 Laurelwood PI
Chino, CA 91710**

Toda la información relativa a devoluciones, pedidos de piezas, preguntas generales y asistencia con problemas de funcionamiento por parte del consumidor, podrá obtenerse llamando al 1-877-373-2301.

SÉCURITÉ DU GRIL D'EXTÉRIEUR

Votre sécurité et celle des autres est très importante.

Nous donnons de nombreux messages de sécurité importants dans ce manuel et sur votre appareil ménager. Assurez-vous de toujours lire tous les messages de sécurité et de vous y conformer.



Voici le symbole d'alerte de sécurité.

Ce symbole d'alerte de sécurité vous signale les dangers potentiels de décès et de blessures graves à vous et à d'autres.

Tous les messages de sécurité suivront le symbole d'alerte de sécurité et le mot "DANGER" ou "AVERTISSEMENT". Ces mots signifient :

⚠ DANGER

Risque possible de décès ou de blessure grave si vous ne suivez pas immédiatement les instructions.

⚠ AVERTISSEMENT

Risque possible de décès ou de blessure grave si vous ne suivez pas les instructions.

Tous les messages de sécurité vous diront quel est le danger potentiel et vous disent comment réduire le risque de blessure et ce qui peut se produire en cas de non-respect des instructions.



DANGER

En cas de détection d'une odeur de gaz :

1. Fermer l'arrivée de gaz de l'appareil.
2. Éteindre toute flamme nue.
3. Ouvrir le couvercle.
4. Si l'odeur persiste, s'éloigner de l'appareil et appeler immédiatement le fournisseur en gaz ou les pompiers.



AVERTISSEMENT

1. Ne pas remiser ou utiliser de l'essence ou tout autre liquide ou vapeur inflammable à proximité de cet appareil ou de tout autre appareil.
2. Ne pas remiser une bouteille de gaz de pétrole liquéfié non raccordée à proximité de cet appareil ou de tout autre appareil.

Avertissements de la proposition 65 de l'État de Californie :

AVERTISSEMENT: Pour fonctionner, cet équipement nécessite l'utilisation de gaz propane, qui contient le benzène chimique qui est connu dans l'État de Californie pour être à l'origine de cancers et autres déficiences de naissance.

AVERTISSEMENT: Ce produit contient au moins un produit chimique connu par l'État de Californie pour être à l'origine de cancers.

AVERTISSEMENT: Ce produit contient au moins un produit chimique connu par l'État de Californie pour être à l'origine de malformations et autres déficiences de naissance.

Dans l'État du Massachusetts, les instructions d'installation suivantes sont applicables :

- Les travaux d'installation et réparation doivent être exécutés par un plombier ou tuyauteur qualifié ou licencié, ou par le personnel qualifié d'une entreprise licenciée par l'État du Massachusetts.
- Si une vanne à boisseau sphérique est utilisée, elle doit comporter une manette "T".
- Si un conduit de raccordement flexible est utilisé, sa longueur ne doit pas dépasser 3 pi.

IMPORTANT : Ce gril est conçu pour un usage à l'extérieur uniquement. Pour les grils destinés à être utilisés à des altitudes supérieures à 2000 pi (609,6 m), il est nécessaire de convertir le gicleur. Voir la section "Spécifications de l'alimentation en gaz". C'est à l'installateur qu'incombe la responsabilité de respecter les dégagements de séparation minimums, spécifiés sur la plaque signalétique des numéros de modèle/de série de l'appareil. Pour les modèles autoportants, la plaque signalétique des numéros de modèle/de série se trouve sur le côté gauche à l'intérieur de la paroi du placard.

IMPORTANTES INSTRUCTIONS DE SÉCURITÉ

AVERTISSEMENT : Pour réduire le risque d'incendie, de choc électrique, de blessures corporelles ou de dommages lors de l'utilisation de l'appareil de cuisson à gaz d'extérieur, il convient d'observer certaines précautions fondamentales, notamment :

- Ne pas installer les appareils de cuisson à gaz d'extérieur (portatifs ou encastrés) dans ou sur un véhicule récréatif, une remorque portative, un bateau ou toute autre installation mobile.
- Toujours respecter les distances de séparation minimales entre l'appareil et les constructions combustibles; voir la section "Exigences d'emplacement".
- L'appareil de cuisson à gaz d'extérieur ne doit pas être situé sous une construction combustible non protégée.
- Cet appareil de cuisson à gaz d'extérieur doit être utilisé à l'extérieur uniquement; ne pas l'utiliser dans un bâtiment, un garage ou tout autre endroit clos.
- Conserver le cordon d'alimentation électrique et le tuyau d'alimentation en combustible à l'écart des surfaces chauffées.
- Maintenir la zone de l'appareil de cuisson à gaz d'extérieur à l'abri des matériaux combustibles, essence ou autres vapeurs ou liquides inflammables.
- Ne pas obstruer le flux de combustion et la ventilation. Conserver les ouvertures de ventilation de l'enceinte de la bouteille de gaz libre et dépourvues de débris.
- Ouvrir la porte de la caisse et inspecter le tuyau d'alimentation de la bouteille de gaz avant chaque utilisation de l'appareil de cuisson à gaz d'extérieur. Si le tuyau présente d'importants signes d'abrasion ou d'usure ou s'il est coupé, il DOIT être remplacé avant toute nouvelle utilisation de l'appareil de cuisson à gaz d'extérieur. Contacter votre marchand et utiliser uniquement les tuyaux de rechange spécifiés pour utilisation avec l'appareil de cuisson à gaz d'extérieur.
- Inspecter visuellement les flammes du brûleur. Elles doivent être bleues. Avec du gaz de pétrole liquéfié, il est normal d'observer une légère pointe jaune. La hauteur des flammes doit être d'environ 1" (2,5 cm)



- Nettoyer le tube du brûleur/de la buse et vérifier l'absence d'insectes ou de nids d'insectes. Un tube obstrué peut entraîner un feu sous l'appareil de cuisson à gaz d'extérieur.

- La bouteille d'alimentation au gaz de pétrole liquéfié utilisée doit être :
 - construite et marquée conformément aux spécifications pour les bouteilles de gaz de pétrole liquéfié du U.S. Department of Transportation (DOT) ou de la Norme nationale du Canada, CAN/CSA-B339, Bouteilles, tubes et autres récipients pour le transport des marchandises dangereuses; et de la Commission.
 - fournie avec un dispositif de prévention de remplissage excessif.
 - fournie avec un dispositif de connexion de la bouteille de gaz compatible avec la connexion pour les appareils de cuisson à gaz d'extérieur.
- Toujours vérifier les connexions pour identifier des fuites à chaque branchement et débranchement de la bouteille d'alimentation en gaz de pétrole liquéfié. Voir la section "Instructions d'installation".
- Lorsque l'appareil de cuisson à gaz d'extérieur n'est pas utilisé, l'arrivée de gaz doit être fermée au niveau de la bouteille de gaz.
- Le remisage d'un appareil de cuisson à gaz d'extérieur est autorisé seulement en cas de débranchement et de retrait de la bouteille de gaz de l'appareil.
- Les bouteilles de gaz doivent être remisées à l'extérieur et hors de portée des enfants; elles ne doivent pas être remisées dans un bâtiment, un garage ou tout endroit clos.
- Il est nécessaire d'utiliser le détendeur et le tuyau fournis avec l'appareil de cuisson à gaz d'extérieur. Un détendeur et un tuyau de rechange spécifiques à votre modèle sont disponibles auprès de votre marchand d'appareils de cuisson à gaz d'extérieur.
- La bouteille de gaz doit comporter un manchon destiné à protéger le robinet de la bouteille.
- Pour les appareils conçus pour utiliser une connexion CGA791: Placer un capuchon protecteur sur le robinet de la bouteille de gaz lorsqu'elle n'est pas utilisée. Installer uniquement le type de capuchon protecteur sur le conduit d'évacuation fourni avec la bouteille de gaz. D'autres types de capuchons ou obturateurs pourraient provoquer des fuites de propane.

Le non-respect des instructions suivantes peut entraîner un incendie causant la mort ou des blessures graves.

- Ne pas remiser une bouteille de gaz de pétrole liquéfié de secours sous l'appareil de cuisson à gaz d'extérieur ou à proximité de celui-ci.
- Ne jamais remplir la bouteille au-delà de 80 % de sa capacité de remplissage.

CONSERVEZ CES INSTRUCTIONS

EXIGENCES D'INSTALLATION

Exigences d'emplacement

⚠ AVERTISSEMENT



Risque d'explosion

Ne pas remiser de réservoir à carburant dans un garage ou à l'intérieur.

Ne pas remiser un gril avec réservoir de carburant dans un garage ou à l'intérieur.

Le non-respect de ces instructions peut causer un décès, une explosion ou un incendie.

⚠ AVERTISSEMENT



Risque d'incendie

Ne pas utiliser le gril près de matériaux combustibles.

Ne pas remiser de matériaux combustibles près du gril.

Le non-respect de ces instructions peut causer un décès ou un incendie.

Sélectionner un emplacement où l'exposition au vent est faible et les passages peu nombreux. L'emplacement ne doit pas se trouver dans une zone à forts courants d'air. Ne pas obstruer le flux de combustion et de ventilation. Dégagement jusqu'au matériel combustible pour les grils d'extérieur autoportants:

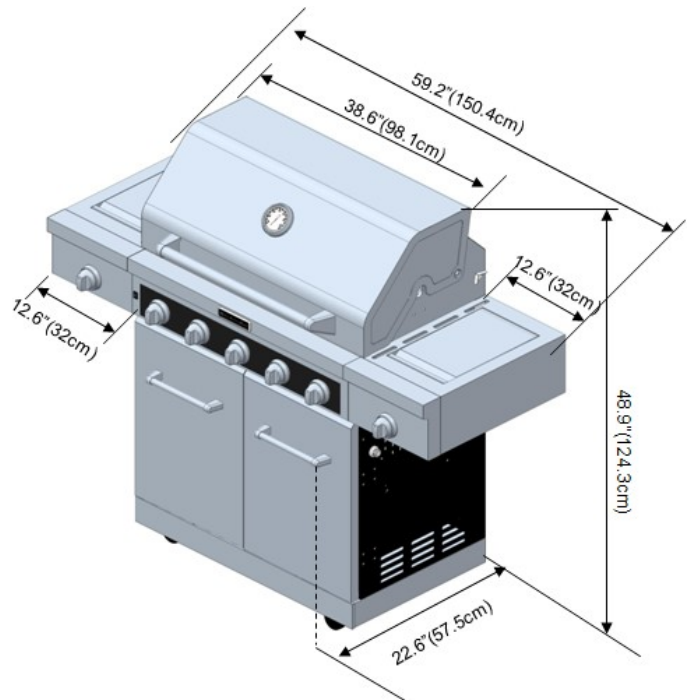
- Un minimum de 24" (61 cm) doit être maintenu entre l'avant du couvercle du gril, les côtés et l'arrière du gril et tout matériel combustible.
- Un dégagement minimum de 24" (61 cm) doit également être maintenu sous la surface de cuisson; d'autre part, le gril ne doit pas être utilisé au-dessous d'un élément de construction combustible.

Tournebroche (accessoire)*

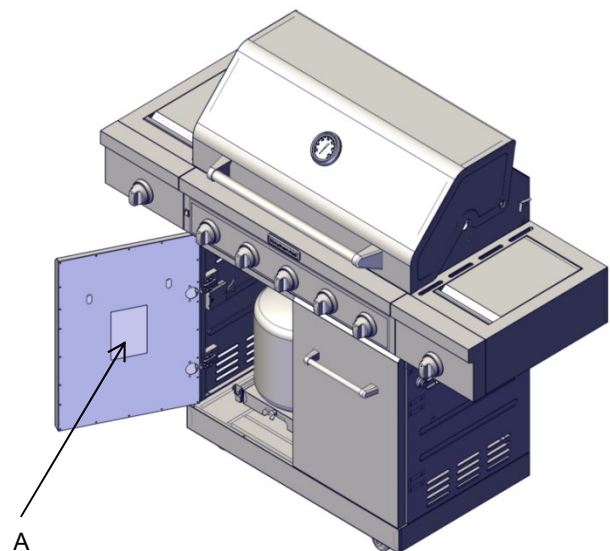
Si vous équipez votre gril d'un tournebroche, un dégagement minimum de 6" (15,2 cm) est nécessaire pour le moteur du tournebroche.

Une prise à 3 alvéoles reliée à la terre, située à gauche du gril, est nécessaire.

*Voir la section "Assistance" pour commander.



La plaque signalétique des numéros de modèle et de série est située à l'intérieur de la porte gauche du placard. Voir l'illustration ci-dessous.



A. Plaque signalétique des numéros de modèle et de série

Spécifications de l'Alimentation en Gaz

⚠ AVERTISSEMENT



Risque d'explosion

Utiliser une canalisation neuve d'arrivée de gaz pour utilisation à l'extérieur approuvée par la CSA International.

Installer un robinet d'arrêt.

Bien serrer chaque organe de connexion de la canalisation de gaz.

En cas de connexion au gaz propane, demander à une personne qualifiée de s'assurer que la pression de gaz ne dépasse pas 36 cm (14 po) de la colonne d'eau.

Par personne qualifiée, on comprend :

le personnel autorisé de chauffage,
le personnel autorisé d'une compagnie de gaz, et
le personnel d'entretien autorisé.

Le non-respect de ces instructions peut causer un décès, une explosion ou un incendie.

Respecter les dispositions de tous les codes et règlements en vigueur.

IMPORTANT: L'installation doit satisfaire aux critères de tous les codes et règlements locaux. En l'absence de codes locaux, l'installation doit être conforme soit au National Fuel Gas Code, ANSI Z223.1/NFPA 54, Natural Gas and Propane Installation Code, CSA B149.1, Propane Storage and Handling Code, B149.2, ou au Standard for Recreational Vehicles, ANSI A119.2/NFPA 1192 et CSA Z240 RV Series Recreational Vehicle Code, si applicable.

IMPORTANT: Le gril doit être raccordé à une source d'alimentation en gaz régulée. Le type de gaz utilisable est indiqué sur la plaque signalétique de l'appareil. Si ces renseignements ne correspondent pas au type de gaz disponible, vérifier auprès d'un fournisseur de gaz local.

Conversion pour changement de gaz :

Ne pas entreprendre de convertir le gril pour l'utilisation d'un gaz différent de celui indiqué sur la plaque signalétique sans d'abord consulter le fournisseur de gaz. On doit utiliser l'ensemble de conversion fourni avec le gril. Voir la section "Conversions pour changement de gaz" pour plus d'instructions.

Détendeur

Le détendeur fourni avec ce gril doit être utilisé. Pour un fonctionnement correct, la pression à l'entrée (alimentation) du détendeur doit être comme suit :

Gaz propane :

Pression de service : 11" (27,9 cm) (colonne d'eau)

Pression à l'entrée (alimentation) : 11" à 14" (27,9 cm à 35,5 cm) (colonne d'eau)

Gaz Naturel :

Pression de service : 4" (10,2 cm) (colonne d'eau)

Pression à l'entrée (alimentation) : 7" à 14" (17,8 cm à 35,5 cm) (colonne d'eau) maximum.

En cas d'incertitude quant à la pression à l'entrée (alimentation), contacter le fournisseur de gaz local.

Puissance Thermique des Brûleurs en Altitude

Les débits thermiques indiqués sur la plaque signalétique correspondent à une altitude d'utilisation inférieure ou égale à 2000 pi (609,6 m). Lorsque l'appareil est utilisé à une altitude supérieure à 2000 pi (609,6 m), on doit réduire le débit thermique indiqué de 4 % pour chaque tranche de 1000 pi (304,8 m) au-dessus du niveau de la mer. Le remplacement du gicleur du brûleur peut être nécessaire. Voir la section "Assistance" pour commander.

Test de pressurisation de la canalisation de gaz

Test de pressurisation à une pression relative supérieure à ½ lb/po² (3,5 kPa) ou 14" (35,5 cm) (colonne d'eau) :

Pour tout test de pressurisation du système à une pression supérieure à ½ lb/po² (3,5 kPa), on doit déconnecter le gril et son robinet d'arrêt des canalisations d'alimentation en gaz à pressuriser.

Test de pressurisation à une pression relative inférieure à ½ lb/po² (3,5 kPa) ou 14" (35,5 cm) (colonne d'eau):

Le gril doit être isolé des canalisations d'alimentation en gaz par la fermeture du robinet d'arrêt manuel individuel durant tout test de pressurisation de la canalisation de gaz à une pression inférieure ou égale à ½ lb/po² (3,5 kPa).

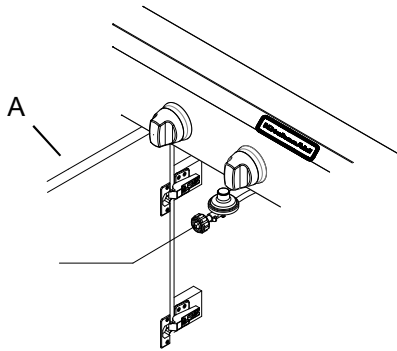
Exigences concernant le raccordement au gaz

Bouteille de propane de 20 lb

Le gril est configuré pour l'alimentation à l'aide d'une bouteille de propane de 20 lb (non fournie). L'ensemble détendeur/tuyau flexible est fourni.

N'importe quelle marque de bouteille de gaz propane de 20 lb peut être utilisée avec le gril, à condition que la bouteille soit compatible avec les moyens de fixation du gril (chariot de la bouteille compris).

La conception de l'appareil est également homologuée par CSA International pour l'alimentation au propane, ou pour l'alimentation au gaz naturel après conversion appropriée.

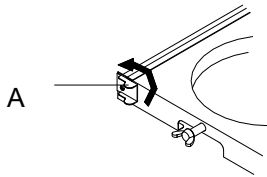


A. Ensemble détendeur/tuyau

La bouteille de gaz propane de 20 lb doit être montée et immobilisée.

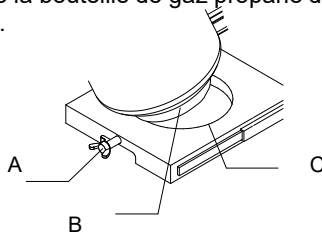
Chariot de bouteille de style porte

1. Ouvrir les portes du placard.
2. Faire glisser la bride de retenue du chariot de la bouteille à 90° dans le sens antihoraire et retirer le chariot.



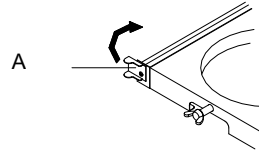
A. Bride de retenue du chariot de la bouteille

3. Placer la bouteille de propane de 20 lb sur le chariot collerette inférieure de la bouteille dans le trou de montage du chariot).
4. Serrer la vis de blocage contre la collerette inférieure de la bouteille de gaz propane de 20 lb pour la fixer.



A. Vis de blocage
B. Collerette inférieure
C. Trou de montage

5. Réinsérer le tiroir ainsi que le chariot de la bouteille de propane de 20 lb dans le placard en les faisant glisser. Tourner la bride de retenue du chariot de la bouteille à 90° dans le sens horaire pour serrer.

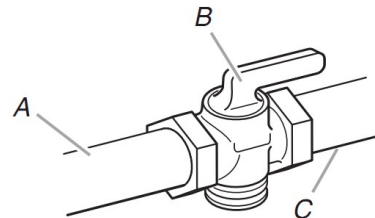


A. Bride de retenue du chariot e la bouteille

Conversion au gaz naturel

L'opération de conversion doit être exécutée par un technicien qualifié. Le technicien qualifié doit installer la canalisation de gaz naturel jusqu'à l'emplacement choisi pour l'installation du gril, en conformité avec les prescriptions de la plus récente édition du National Fuel Gas Code ANSI Z223.1/NFPA 54 et des codes locaux. Pour la conversion au gaz naturel, on doit utiliser l'ensemble de conversion au gaz naturel fourni avec le gril (sur certains modèles) ou l'ensemble de conversion au gaz naturel – pièce numéro 710-0003. Voir la section "Assistance" pour connaître le processus de commande.

IMPORTANT: Le circuit de distribution de gaz doit être conforme aux prescriptions des codes locaux ou, en l'absence de code local, aux prescriptions de l'édition la plus récente du National Fuel Gas Code, ANSI Z223.1/NFPA 54. Suivre les instructions pour la conversion vers le gaz naturel dans la section "Conversions pour changement de gaz" de ce manuel ou les instructions fournies avec l'ensemble de conversion pour gaz naturel – numéro de pièce 710-0003. La canalisation d'alimentation en gaz doit comporter un robinet d'arrêt approuvé. Le robinet d'arrêt doit être installé au voisinage du gril et être facilement accessible pour les manœuvres d'ouverture/fermeture. Ne pas bloquer l'accès au robinet d'arrêt. Le robinet permet d'ouvrir ou de fermer l'alimentation en gaz du gril.



A. Canalisation d'alimentation en gaz
B. Robinet d'arrêt manuel en position d'ouverture
C. Vers le gril

Raccordement au gaz

REMARQUE: Si le gril doit être au gaz naturel, suivre les instructions de la section "Conversions pour changement de gaz".

Bouteille de propane de 20 lb

AVERTISSEMENT



Risque d'explosion

Bien serrer chaque organe de connexion de la canalisation de gaz.

En cas de connexion au gaz propane, demander à une personne qualifiée de s'assurer que la pression de gaz ne dépasse pas 36 cm (14 po) de la colonne d'eau.

Par personne qualifiée, on comprend :

le personnel autorisé de chauffage,
le personnel autorisé d'une compagnie de gaz, et
le personnel d'entretien autorisé.

Le non-respect de ces instructions peut causer un décès, une explosion ou un incendie.

Gaz Propane:

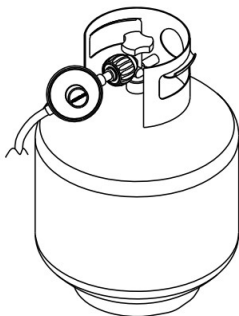
IMPORTANT: On doit acheter une bouteille de propane de 20 lb séparément.

IMPORTANT: Il est nécessaire d'utiliser l'ensemble détendeur/tuyau fourni avec le gril. Si un remplacement est nécessaire, pour la commande des pièces spécifiques au gril utilisé, contacter le marchand qui a vendu l'appareil.

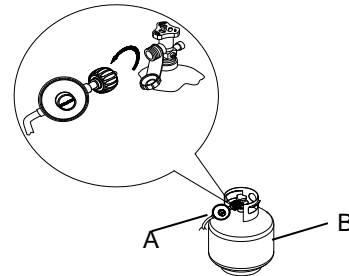
Raccordement de la bouteille de propane de 20 lb :

1. Vérifiez que la bouteille de propane de 20 lb est à la position "Off" (arrêt). Si ce n'est pas le cas, tourner le robinet dans le sens horaire jusqu'à ce qu'il s'arrête.
2. Vérifiez que la bouteille de propane de 20 lb possède les connexions filetées correctes - externes mâles de type 1, en vertu de la norme ANSI Z21.81.
3. Vérifiez que les boutons de commande du brûleur sont à la position d'arrêt "Off".
4. Retirer tout résidu et inspecter les raccords et orifices du robinet ainsi que l'ensemble détendeur/tuyau pour vérifier qu'ils n'ont subi aucun dommages.

REMARQUE: Toujours garder le cylindre pour gaz propane à un angle de 90° (position verticale) pour l'échappement correct de la vapeur.



5. Visser à la main l'ensemble détendeur/tuyau dans le sens horaire pour le raccordement à la bouteille de propane de 20 lb, tel qu'indiqué. Serrer uniquement à la main. Le fait d'utiliser une clé pourrait endommager l'écrou de raccord rapide. S'assurer que le dispositif de raccordement du robinet de la bouteille correspond au dispositif de raccordement fixé au point d'entrée du détendeur.



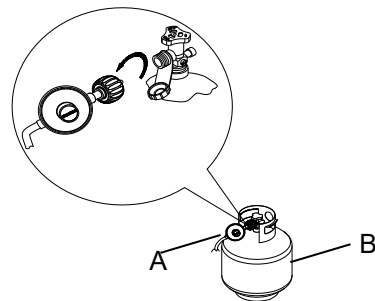
A. Ensemble détendeur/tuyau

B. Bouteille de propane de 20 lb

6. Ouvrir complètement le robinet de la bouteille en tournant le robinet dans le sens antihoraire. Attendez quelques minutes pour que le gaz remplisse la canalisation de gaz.
7. Avant d'allumer le gril, tester tous les raccordements en les badigeonnant d'une solution de détection des fuites non corrosive approuvée. L'apparition de bulles indique la présence d'une fuite.
8. En cas de détection de fuite, fermer le robinet de la bouteille et ne pas utiliser le gril. Contacter un technicien de gaz qualifié pour effectuer les réparations.
9. Passer à la section "Contrôle et réglage des brûleurs".

Déconnexion de la bouteille de propane de 20 lb :

1. Vérifiez que les boutons de commande des brûleurs sont à la position d'arrêt "Off" et que le gril est froid.
2. Vérifier que la bouteille de propane de 20 lb est à la position "Off" (arrêt). Si ce n'est pas le cas, tourner le robinet dans le sens horaire jusqu'à ce qu'il s'arrête.
3. Tourner l'ensemble détendeur/tuyau à la main dans le sens antihoraire pour déconnecter la bouteille de propane de 20 lb, tel qu'indiqué. Desserrer uniquement à la main. Le fait d'utiliser une clé pourrait endommager l'écrou de raccord rapide.



A. Ensemble détendeur/tuyau

B. Bouteille de propane de 20 lb

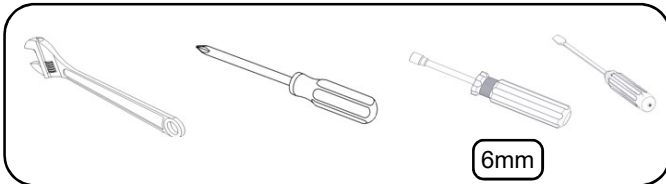
4. Placer un capuchon anti-poussière sur la sortie du robinet de la bouteille lorsque celle-ci n'est pas utilisée. Utiliser uniquement le type de capuchon anti-poussière fourni avec le robinet de la bouteille pour le placement sur la sortie du robinet de la bouteille. L'utilisation d'autres types de Capuchons peut entraîner une fuite de propane.

CONVERSIONS POUR CHANGEMENT DE GAZ

Outils et pièces pour conversion de gaz

Rassembler les outils et pièces nécessaires avant d'entreprendre l'installation. Lire et observer les instructions fournies avec chacun des outils de la liste ci-dessous.

Outils nécessaires



Pièces fournies

■ Gicleurs de gaz naturel

Pièces nécessaires

■ Ensemble de conversion pour gaz naturel – pièce numéro 710-0003. Voir la section "Assistance" pour commander.

Cet ensemble de conversion comprend :

- Détendeur pour gaz naturel de 4" - colonne d'eau (avec indication "Détendeur pour gaz naturel")
- 10 ft (3,0 m) Tuyau pour gaz naturel avec raccord à branchement rapide
- Tuyau du détendeur pour gaz naturel de 5,9" (150 mm)
- Tourne-écrou de 6 mm
- Clé de 6 mm
- Clé à tête hexagonale

IMPORTANT: Les conversions de gaz doivent être exécutées par un installateur qualifié. Avant d'entreprendre la conversion, fermer l'arrivée de gaz à gril.

⚠ AVERTISSEMENT



Risque d'explosion

Utiliser une canalisation neuve d'arrivée de gaz pour utilisation à l'extérieur approuvée par la CSA International.

Installer un robinet d'arrêt.

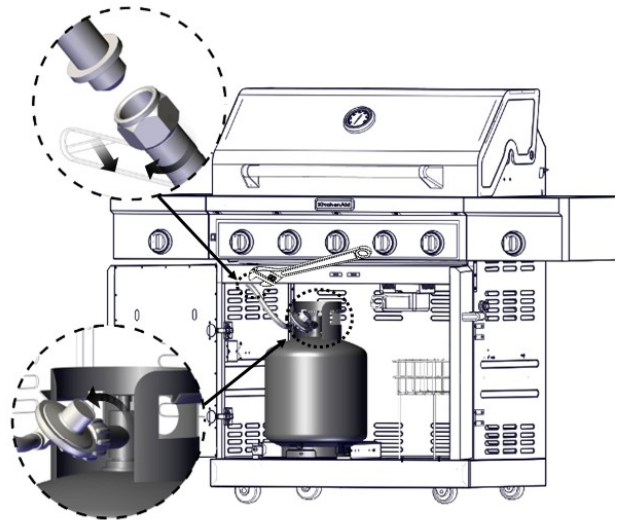
Bien serrer chaque organe de connexion de la canalisation de gaz.

Le non-respect de ces instructions peut causer un décès, une explosion ou un incendie.

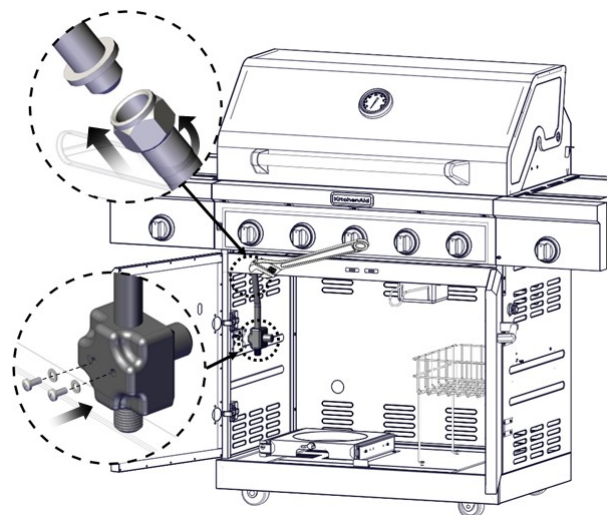
Conversion de propane à gaz naturel

Installation du détendeur

1. Fermer le robinet d'arrêt de la canalisation de gaz.
2. Débrancher le gril ou déconnecter la source de courant électrique.
3. Débrancher la bouteille de gaz propane de 20 lb (le cas échéant).
4. Fermer les robinets de commande de tous les brûleurs.
5. Retirer la bouteille de gaz propane de 20 lb (le cas échéant) du chariot du gril.
6. Utiliser une clé à molette pour retirer le raccord du détendeur pour gaz propane de la tubulure de distribution.

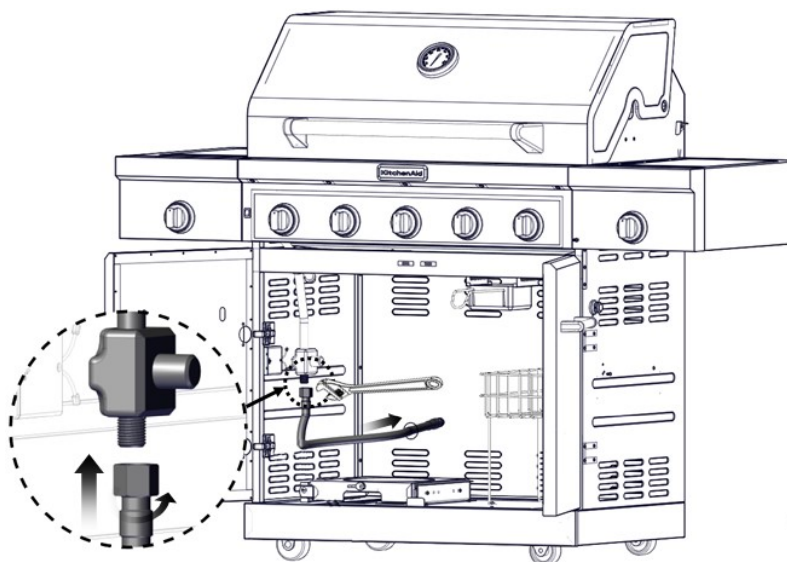
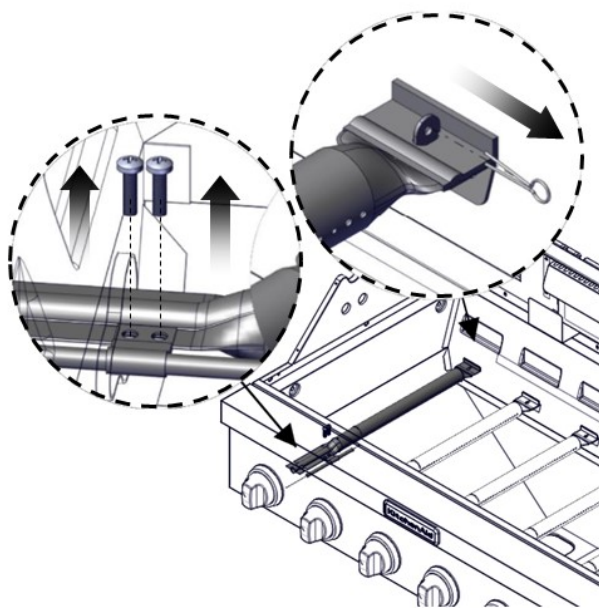


7. Utiliser une clé à molette pour installer le détendeur pour gaz naturel sur la tubulure de distribution et fixer. Fixer le détendeur pour gaz naturel au panneau latéral à l'intérieur du chariot du gril à l'aide des deux vis préassemblées sur le détendeur.

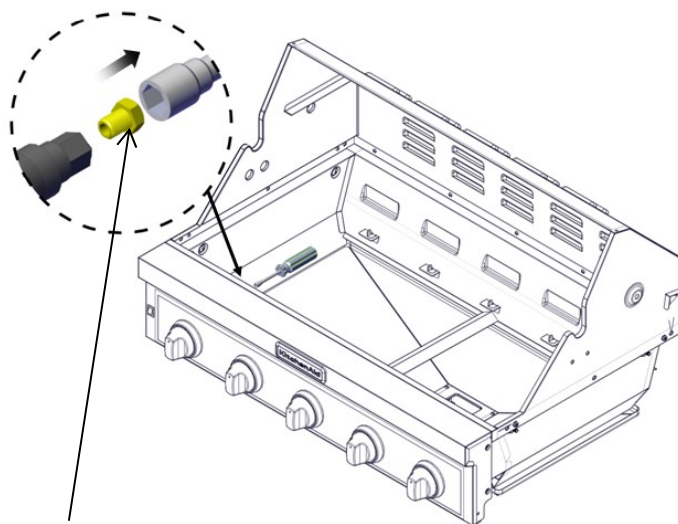


Raccordement au gaz

1. On doit employer une combinaison de raccords pour raccorder le gril à la canalisation de gaz existante.
 - On doit utiliser le tuyau d'alimentation en gaz flexible en PVC homologué CSA de 10 pi (3 m).
 - Pour l'étanchéité des jointures, utiliser un composé d'étanchéité pour tuyauterie compatible avec le gaz naturel. Ne pas utiliser de ruban adhésif Teflon®†.
 - La canalisation d'alimentation en gaz doit comporter un robinet d'arrêt manuel (homologué) facilement accessible à proximité du gril.
2. Connecter le raccord en laiton à une extrémité du tuyau d'alimentation de gaz flexible en PVC de 10 ft (3 m) au détendeur pour gaz naturel.
3. Connecter le raccord à branchement rapide à l'autre extrémité du tuyau d'alimentation de gaz flexible en PVC de 10 pi (3 m) à la canalisation rigide d'alimentation en gaz naturel.



3. Démontez le gicleur en laiton de l'extrémité du robinet de gaz à l'aide d'une clé à douille de 6 mm ou d'un tourne-écrou de 6 mm. Le gicleur de brûleur principal se trouve derrière le gicleur pour gaz propane – aucun gicleur supplémentaire ne doit donc être installé.



A

A. Gicleur de brûleur principal

Remplacement des gicleurs de brûleur du gril

1. Ôter les grilles et les régulateurs de flamme.
2. Retirez les 2 vis et la goupille fendue fixant le brûleur. Mettre les vis et la goupille de côté. Retirez le brûleur du gril en le soulevant pour le dégager.

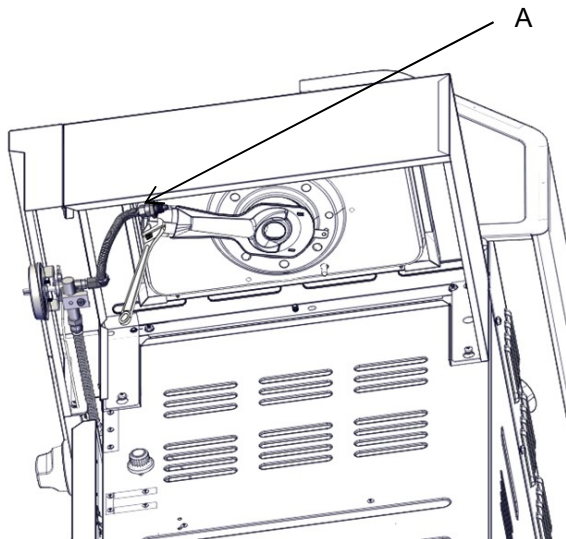
IMPORTANT: Vérifier que le gicleur est correctement installé dans l'ouverture du brûleur.

4. Réinsérer le brûleur et le fixer à nouveau à l'aide des 2 vis précédemment retirées. Répéter ce processus pour chaque brûleur principal.
5. Positionner les allumeurs de façon à ce qu'ils se trouvent à 1/8" (3.2 mm) de chaque brûleur.

† ®TEFLON is a registered trademark of E.I. Du Pont De Nemours and Company.

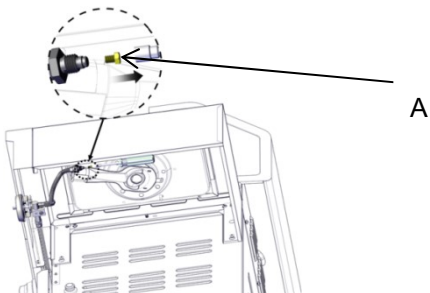
Changer d'orifice pour le brûleur latéral

1. Utilisez une clé pour retirer le connecteur en cuivre de l'orifice du brûleur latéral avec l'embout du tuyau flexible fixé au tube du brûleur latéral.



A. Embout du tuyau de gaz flexible du brûleur latéral

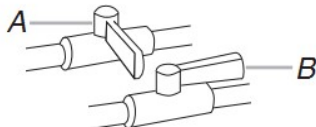
2. Démontez le gicleur à l'aide d'une clé à douille ou d'un tourne-écrou de 6 mm. Remplacez par le gicleur pour gaz naturel.



A. Gicleur

IMPORTANT : Vérifier que le gicleur est correctement installé dans la valve.

3. Réinstallez le brûleur latéral, resserrez le connecteur en cuivre de l'orifice du brûleur latéral et le tube du brûleur latéral à l'aide d'une clé.
4. Ouvrir le robinet d'arrêt manuel sur la canalisation d'alimentation en gaz. Le robinet est ouvert lorsque la poignée est parallèle au conduit d'alimentation en gaz.

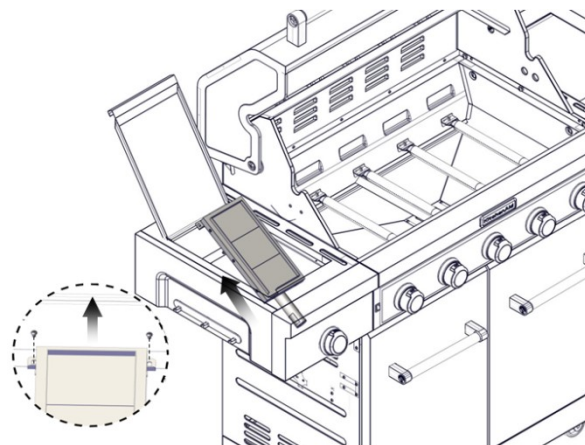
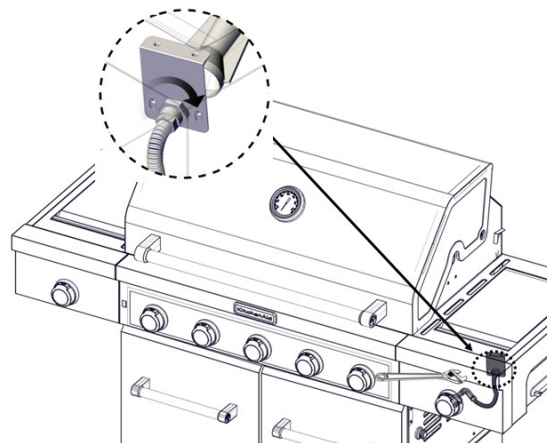


A. Robinet fermé
B. Robinet ouvert

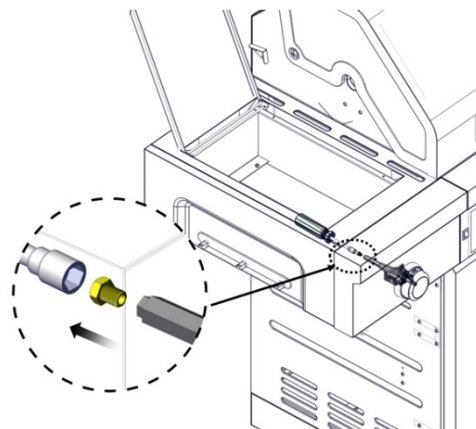
6. Effectuer une recherche des fuites sur chaque raccord à l'aide d'une solution homologuée de détection des fuites, non corrosive. L'apparition de bulles indique la présence d'une fuite. Réparer toute fuite éventuelle.

Changer d'orifice pour le Brûleur Marquant

1. Utilisez une clé pour retirer le connecteur en cuivre de l'orifice du Brûleur marquant avec l'embout du tuyau flexible fixé au tube du Brûleur marquant.

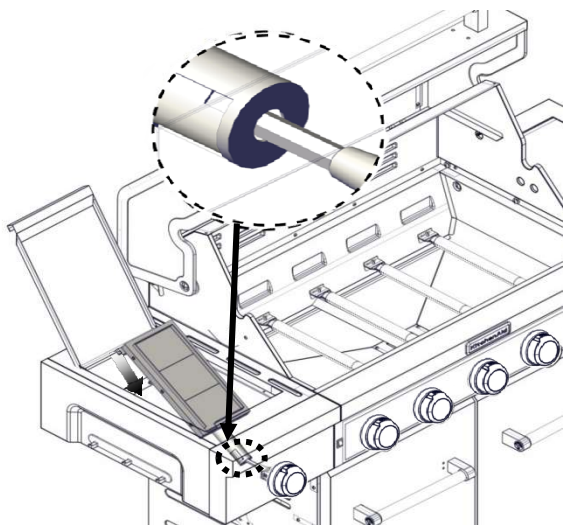


2. Démontez le gicleur à l'aide d'une clé à douille ou d'un tourne-écrou de 6 mm. Remplacez par le gicleur pour gaz naturel.



IMPORTANT : Vérifier que le gicleur est correctement installé dans la valve.

3. Réinstallez le Brûleur marquant, resserrez le connecteur en cuivre de l'orifice du Brûleur marquant et le tube du Brûleur marquant à l'aide d'une clé.



4. Ouvrir le robinet d'arrêt manuel sur la canalisation d'alimentation en gaz. Le robinet est ouvert lorsque la poignée est parallèle au conduit d'alimentation en gaz.

Enregistrer la conversion

1. La plaque signalétique de l'appareil se trouve à l'intérieur de la caisse du gril, sur le côté gauche. À l'aide d'un marqueur à encre permanente, cocher la case de texte à côté de "Natural gas" (gaz naturel) et rayer "LP – Propane".

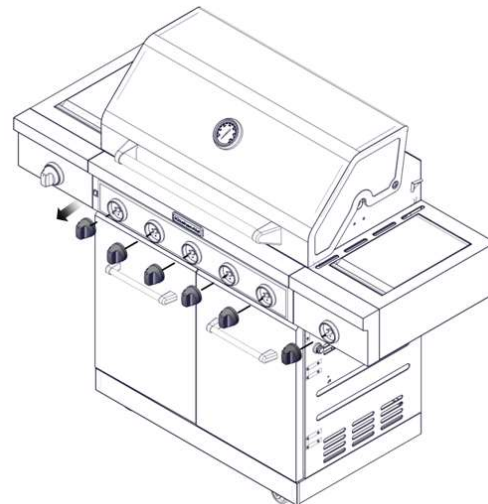
À la dernière page du Guide d'utilisation et d'entretien, inscrire "Appareil converti pour alimentation au gaz naturel". Enregistrer également la date de la conversion, le nom du technicien/de la compagnie qui a exécuté la conversion.

REMARQUE : Placer les pièces de brûleurs pour gaz propane dans le sachet de pièces en plastique et conserver celui-ci avec les documents fournis avec l'appareil, afin de pouvoir les réutiliser ultérieurement.

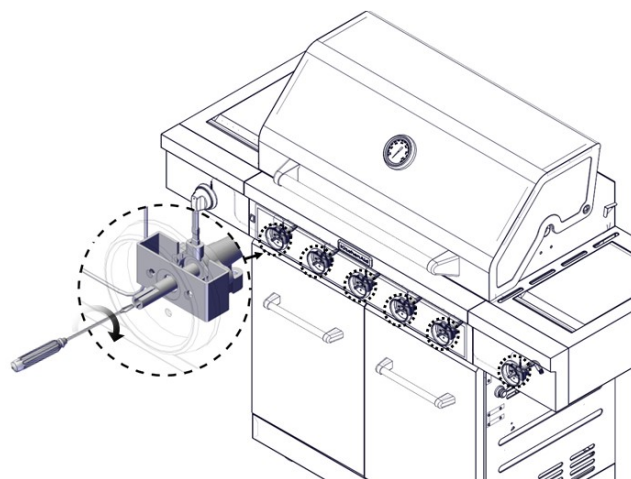
Ajustement de la vis de réglage de flamme haute

Lors de la conversion du propane au gaz naturel, il faut ajuster la vis de réglage de flamme haute pour obtenir la hauteur idéale de flamme de brûleur.

1. Retirer chaque bouton de commande du brûleur principal et du brûleur latéral.



2. Utiliser un tournevis à lame plate pour tourner la vis de réglage de flamme haute dans le sens antihoraire d'environ 90°.



3. Vérifier que le brûleur fonctionne au nouveau réglage de flamme haute. Il sera peut-être nécessaire d'ajuster légèrement le réglage de la vis pour obtenir la hauteur de flamme de brûleur idéale.

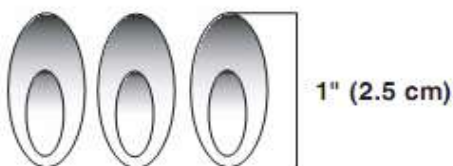
Contrôle et réglage des brûleurs

Les brûleurs ont été testés et réglés à l'usine pour un fonctionnement optimal. Cependant de légères modifications du réglage de l'admission d'air et du débit thermique minimum peuvent être nécessaires du fait de variations de la pression de distribution du gaz disponible et d'autres conditions. On recommande que tout réglage des brûleurs soit exécuté par une personne qualifiée.

Pour contrôler et régler les flammes sur les brûleurs du gril, on doit enlever la grille et les régulateurs de flamme.

Caractéristiques des flammes de brûleurs

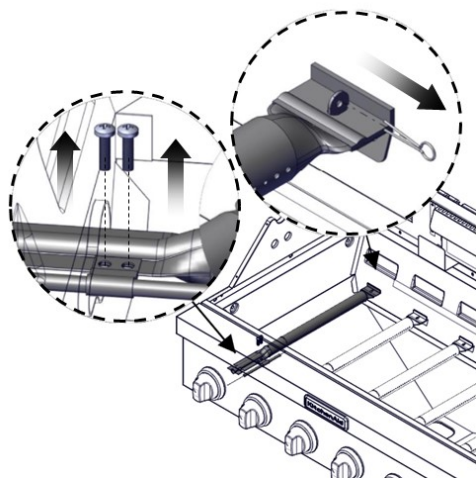
Les flammes sur les brûleurs du gril et sur les brûleurs latéraux (sur certains modèles) devraient présenter une teinte bleue et une forme stable, sans bruit excessif ni séparation entre flamme et brûleur (les flammes produites par le propane comportent une pointe légèrement jaune). Une teinte jaune des flammes indique une déficience d'air. Si la combustion est bruyante ou si les flammes se séparent du brûleur, il y a un excès d'air. La présence modérée d'une teinte jaune à l'extrémité des flammes lorsque le brûleur est réglé à HIGH (débit thermique maximum) est acceptable dans la mesure où il n'y a pas de formation de dépôt de carbone ou de suie. La hauteur des flammes doit être d'environ 1" (2,5 cm).



Vérifier que les brûleurs ne sont pas obstrués par de la poussière, des débris, nids d'insectes, etc.; nettoyer au besoin. Si les brûleurs sont propres, ajuster l'admission d'air au besoin.

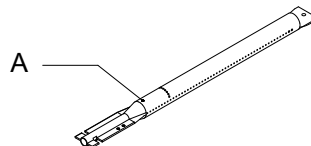
IMPORTANT: Avant de régler l'admission d'air sur un brûleur, laisser le brûleur refroidir complètement. Processus de réglage :

1. Allumer le gril à l'aide des informations de la section "Utilisation du gril d'extérieur".
2. Observer les flammes pour déterminer si le brûleur nécessite un réglage et pour noter la forme des flammes.
3. Fermer le robinet et laisser le gril et les brûleurs refroidir complètement.
4. Ôter les grilles du gril et les régulateurs de flamme.
5. Enlever la vis et la goupille fendue qui maintiennent le brûleur en place. Ôter le brûleur à gaz du gril.



6. Si les flammes présentent une teinte jaune (pénurie d'air), faire tourner la vis de réglage de l'admission d'air dans le sens antihoraire.

Si la combustion est bruyante ou si les flammes se séparent du brûleur (excès d'air), tourner la vis de réglage de l'admission d'air dans le sens horaire.



A. Vis de réglage de l'admission d'air

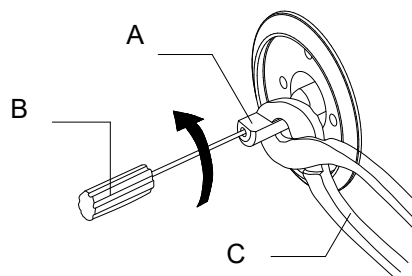
Lors des réglages, dans un sens ou dans l'autre, modifier la taille de l'orifice d'admission d'air de 1/8" (3,2 mm) à 1/4" (6,4 mm).

7. Réinstaller le brûleur, les régulateurs de flamme et les grilles.
8. Allumer le gril à l'aide des informations de la section "Utilisation du gril d'extérieur". Voir "Caractéristiques des flammes de brûleurs".

Réglage pour le débit thermique minimum

Si le brûleur s'éteint lorsqu'il est réglé pour le débit thermique minimum (position LOW), on doit effectuer un réglage particulier.

1. Fermer le robinet et laisser le gril et les brûleurs refroidir complètement.
2. Ôter les grilles du gril et les régulateurs de flamme.
3. Allumer le gril à l'aide des informations de la section "Utilisation du gril d'extérieur".
4. Tourner le brûleur au réglage le plus bas.
5. Retirer chaque bouton de commande des brûleurs principaux et du brûleur latéral en desserrant la vis avec la clé hex.
6. Immobiliser la tige de réglage du robinet avec une pince et insérer un petit tournevis à lame plate dans l'axe.
7. Observer les flammes et faire tourner doucement le tournevis dans le sens antihoraire.
8. Régler pour obtenir des flammes stables de taille minimum.



A. Tige de réglage
B. Petit tournevis à lame plate
C. Pince

9. Réinstaller le bouton de commande et éteindre le brûleur.
10. Répéter les étapes 3 à 9 pour chaque brûleur au besoin.
11. Après le refroidissement des brûleurs, réinstaller les régulateurs de flamme et les grilles.

UTILISATION DU GRIL D'EXTÉRIEUR

Ce manuel porte sur plusieurs types de modèle. Le gril que vous avez acheté peut disposer de certaines ou de toutes les caractéristiques énumérées ou seulement certaines d'entre elles. Les emplacement et aspects des caractéristiques illustrées ci-dessous peuvent ne pas correspondre à ceux de votre modèle.

Tableau de commande



Bouton du brûleur à infrarouge

Bouton du brûleur principal.

Bouton du brûleur latéral

Utilisation de votre gril d'extérieur

⚠ AVERTISSEMENT



Risque d'explosion

Ne pas remiser de réservoir à carburant dans un garage ou à l'intérieur.

Ne pas remiser un gril avec réservoir de carburant dans un garage ou à l'intérieur.

Le non-respect de ces instructions peut causer un décès, une explosion ou un incendie.

⚠ AVERTISSEMENT



Risque d'incendie

Ne pas utiliser le gril près de matériaux combustibles.

Ne pas remiser de matériaux combustibles près du gril.

Le non-respect de ces instructions peut causer un décès ou un incendie.

⚠ AVERTISSEMENT

Risque d'empoisonnement alimentaire

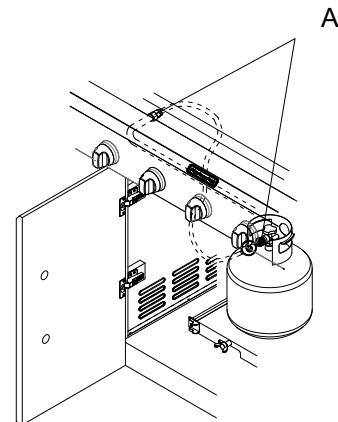
Ne pas laisser des aliments reposer plus d'une heure avant ou après la cuisson.

Le non-respect de cette instruction peut causer un empoisonnement alimentaire ou une maladie.

Inspection du tuyau de raccordement entre le gril et la bouteille de gaz

Avant chaque utilisation, inspecter l'ensemble détenteur/tuyau de raccordement.

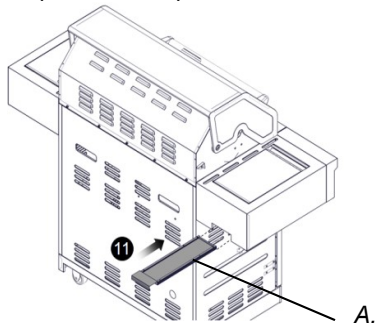
1. Ouvrir la porte du placard de gauche.
2. Inspecter l'ensemble détenteur/tuyau de raccordement; rechercher coupures, abrasions ou usure excessive.
3. Si nécessaire, remplacer l'ensemble détenteur/tuyau de raccordement avant d'utiliser le gril.



A. Ensemble détenteur/tuyau

Préparation du gril pour l'allumage

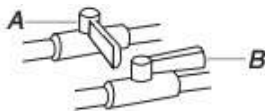
1. Ouvrir complètement le couvercle. Ne pas allumer les brûleurs alors que le couvercle est fermé.
2. Vérifier que les boutons de commande sont à la position de fermeture OFF. Il faut que le plateau d'égouttement soit en place et complètement enfoncé



A. Plateau d'égouttement

Ouvrir l'arrivée de gaz

1. Pour grils d'extérieur avec bouteille de propane de 20 lb : Ouvrir lentement le robinet de la bouteille.
REMARQUE: En cas d'activation d'un dispositif de limitation du débit de gaz, le gril peut ne pas s'allumer. Si le brûleur du gril parvient à s'allumer, la taille des flammes sera réduite de même que le débit thermique. Fermer le robinet de la bouteille et tous les robinets du gril et attendre 30 secondes. Après la fermeture du robinet de la bouteille, ouvrir très lentement le robinet de la bouteille et attendre 5 secondes avant de tenter d'allumer un brûleur.
2. Pour grils d'extérieur avec source de gaz autre qu'une bouteille de propane de 20 lb : Ouvrir le robinet d'arrêt manuel sur la canalisation d'alimentation en gaz. Le robinet est ouvert lorsque la poignée est parallèle au conduit d'alimentation en gaz.

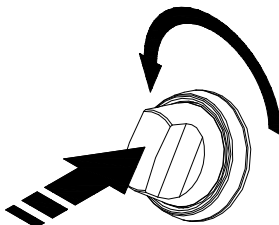


1. Robinet fermé
2. Robinet ouvert

Allumage du gril

IMPORTANT: Si un brûleur ne s'allume pas immédiatement, ramener le bouton du brûleur à la position d'arrêt OFF et attendre 5 minutes avant une nouvelle tentative d'allumage.

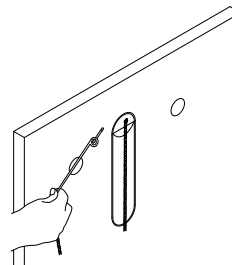
1. Ouvrir complètement le couvercle. Ne jamais allumer les brûleurs alors que le couvercle est fermé.
2. Ne pas se pencher au-dessus du gril.
3. Choisir le brûleur à allumer. Enfoncer et faire tourner le bouton de commande du brûleur du gril pour le placer à la position IGNITE/HIGH (allumage/élevé) ou IGNITE/ON (allumage/marche) et maintenir le bouton enfoncé.



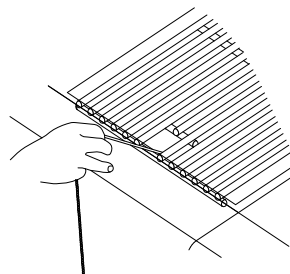
4. On doit pouvoir entendre le "crépitement" d'une étincelle. Lorsque le brûleur est allumé, lâcher le bouton. Tourner le bouton de commande au réglage désiré.
5. Répéter ce processus pour chaque brûleur à allumer.

Allumage manuel des brûleurs principaux

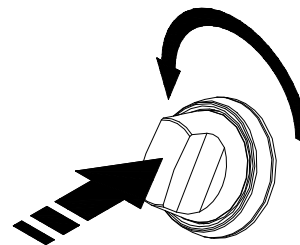
1. Ouvrir complètement le couvercle. Ne jamais allumer les brûleurs alors que le couvercle est fermé.
2. Ne pas se pencher au-dessus du gril.
3. Ôter le porte-allumette manuel (voir l'illustration suivante) et fixer une allumette sur l'anneau.



4. Frotter l'allumette pour l'allumer.
5. Placer l'allumette allumée sous la grille du gril.



6. Pour le brûleur le plus proche de l'allumette allumée, enfoncer et faire tourner le bouton du brûleur à IGNITE/HIGH (allumage/élevé) ou IGNITE/ON (allumage/marche). Le brûleur s'allume immédiatement. Lorsque le brûleur est allumé, tourner le bouton jusqu'au réglage désiré.



7. Répéter les étapes 2 à 6 pour chaque brûleur principal.
8. Retirer l'allumette; réinstaller le porte-allumette à l'intérieur de la porte du placard.

IMPORTANT:

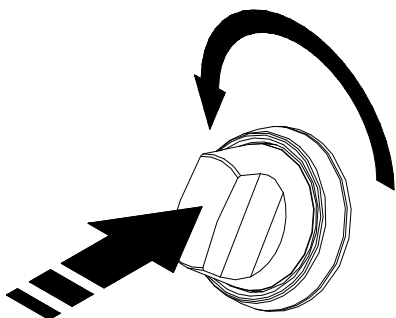
Si un brûleur ne s'allume pas immédiatement, ramener le bouton du robinet à la position d'arrêt OFF et attendre 5 minutes avant une nouvelle tentative.

Si l'un des brûleurs ne s'allume pas immédiatement après que l'on a tenté de l'allumer manuellement, contacter le Centre de service à la clientèle. Voir la section "Assistance ou Service".

Utilisation de votre brûleur latéral

Allumage du brûleur latéral/ marquant

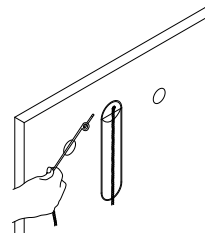
1. Retirer le couvercle du brûleur latéral. Ne pas allumer un brûleur lorsque le couvercle est en place.
2. Ne pas se pencher au-dessus du gril.
3. Enfoncer et faire tourner le bouton de commande du brûleur du gril pour le placer à la position IGNITE/HIGH (allumage/élevé) ou IGNITE/ON (allumage/marche) et maintenir le bouton enfoncé.



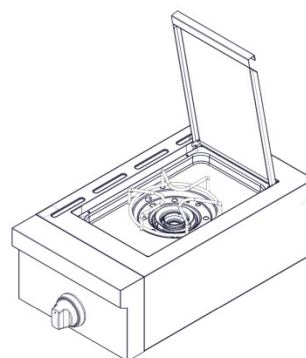
IMPORTANT: Si un brûleur ne s'allume pas immédiatement, ramener le bouton du brûleur à la position d'arrêt OFF et attendre 5 minutes avant une nouvelle tentative d'allumage.

Allumage manuel du brûleur latéral/ marquant

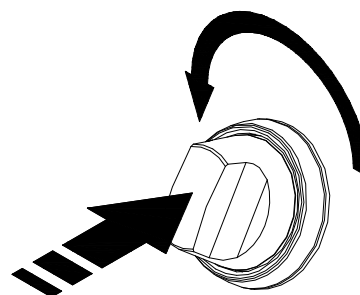
1. Ouvrez complètement le capot. Ne pas allumer les brûleurs lorsque le capot est fermé.
2. Ne pas se pencher au-dessus du gril.
3. Ôter le porte-allumette (voir l'illustration suivante) et fixer une allumette sur l'anneau.



4. Frotter l'allumette pour l'allumer.
5. Maintenir l'allumette allumée à proximité du brûleur latéral/marquant.



6. Pour le brûleur le plus proche de l'allumette allumée, enfoncer et faire tourner le bouton du brûleur à la position IGNITE/HIGH (allumage/élevé). Le brûleur s'allume immédiatement. Lorsque le brûleur est allumé, tourner le bouton jusqu'au réglage désiré.



7. Répéter les étapes 3 à 6 pour chaque brûleur.
8. Retirer l'allumette; réinstaller le porte-allumette manuel sur le panneau de droite.

IMPORTANT:

Si un brûleur ne s'allume pas immédiatement, ramener le bouton du robinet à la position d'arrêt OFF et attendre 5 minutes avant une nouvelle tentative.

Si l'un des brûleurs ne s'allume pas immédiatement après que l'on a tenté de l'allumer manuellement, contacter le Centre de service à la clientèle. Voir la section "Assistance".

CONSEILS POUR L'UTILISATION DU GRIL D'EXTÉRIEUR

⚠ AVERTISSEMENT

Risque d'empoisonnement alimentaire

Ne pas laisser des aliments reposer plus d'une heure avant ou après la cuisson.

Le non-respect de cette instruction peut causer un empoisonnement alimentaire ou une maladie.

Avant d'utiliser le grill

- Décongeler les aliments avant de les faire griller.
- Préchauffer le grill au débit thermique maximum (utiliser tous les brûleurs du grill) pendant 10 minutes. Durant la phase de préchauffage, le couvercle du grill doit être fermé. Pour le préchauffage, il n'est pas nécessaire d'utiliser le brûleur de la rôtissoire. Le préchauffage génère la température élevée nécessaire pour le brunissage d'un morceau de viande et la rétention des jus.
- Réduire la durée de la phase de préchauffage avant la cuisson au grill de morceaux de viande ou de volaille à forte teneur en graisse, telles que les cuisses de poulet. Ceci réduira les montées de flammes.
- Huiler légèrement les grilles du grill ou les aliments en cas de cuisson de morceaux de viande, de poisson ou de volaille à faible teneur en gras, tels que des galettes de viande hachée maigre, des crevettes ou des poitrines de poulet sans peau.
- Des cendres grises risquent de se déposer sur les aliments en cas d'excès d'huile.
- Enlever l'excès de gras des viandes avant la cuisson afin de réduire les flammes.
- Effectuer des coupes verticales à intervalles de 2" (5 cm) autour des parties grasses sur les côtés de la viande pour éviter qu'elle ne se recroqueville.
- Attendre la fin de la cuisson pour ajouter l'assaisonnement ou le sel.

Pendant l'utilisation du grill

- Retourner les aliments une seule fois. Les jus sont perdus lorsque la viande est retournée plusieurs fois.
- Retourner la viande lorsque les jus commencent à apparaître à la surface.
- Éviter de percer ou de couper les viandes afin d'en évaluer la cuisson. Ceci permet aux jus de s'échapper.
- Il peut être nécessaire de réduire le réglage de température pour les aliments qui cuisent pendant une longue période ou qui sont marinés ou arrosés d'une sauce sucrée.
- En cas d'utilisation d'une flamme élevée, ajouter de la sauce barbecue seulement au cours des 10 dernières minutes de la cuisson afin d'éviter de faire brûler la sauce.
- Le degré de cuisson varie en fonction du type de viande, de la coupe de la viande (taille, forme et épaisseur), du réglage de température sélectionné et de la durée de cuisson au grill.
- La durée de cuisson sera plus longue avec le couvercle de grill ouvert.

Méthodes de cuisson

Chauffage direct

La cuisson par chauffage direct signifie que l'aliment est placé sur les grilles du grill directement au-dessus des brûleurs allumés. La position du couvercle peut être ouverte ou fermée. Si le couvercle est en position ouverte, la durée totale de cuisson sera peut-être plus longue.

Le chauffage direct saisit les aliments. Le rôtissage correspond à un processus qui retient les jus naturels dans les aliments grâce à une cuisson à chaleur intense pendant une courte durée. Alors que les jus restent dans l'aliment, l'extérieur est doré pour former un enrobage grillé savoureux.

Chauffage indirect

Pour des résultats optimaux, ne pas sélectionner la méthode de cuisson par chauffage indirect lorsqu'il y a du vent.

La cuisson par chauffage indirect signifie que l'aliment est placé sur la grille du grill au-dessus d'un brûleur non alimenté, ce qui permet à la chaleur provenant du/des brûleur(s) allumé(s) à proximité de cuire l'aliment.

Allumer 1 brûleur. Faire cuire avec le couvercle rabattu. Ceci réduira la durée de cuisson.

Tableau de Cuisson au Gril

- Les boutons comportent les réglages High (élevée), Medium (moyenne) et Low (faible) pour le réglage des flammes.
- Les réglages de chaleur sont indiqués de façon approximative.
- Les durées de cuisson au gril peuvent varier en fonction des conditions météorologiques.
- Lorsque 2 températures sont indiquées, par exemple : Medium (moyenne) à Medium-Low (moyenne-faible), commencer par la première et ajuster en fonction de la progression de la cuisson.
- Les durées de cuisson peuvent varier en fonction des durées indiquées dans le tableau en fonction du type de combustible utilisé (gaz naturel ou propane).

ALIMENT	MÉTHODE DE CUISSON/RÉGLAGE DU BRÛLEUR	TEMP. INTERNE	DURÉE (total minutes)	INSTRUCTIONS SPÉCIALES
Bœuf				
Hamburgers de ½" (1,3 cm) à ¾" (1,9 cm) d'épaisseur	DIRECT Moyenne	Moyenne (160° F/71° C)	10-15	Griller, retourner une fois.
Rôtis Faux-filet, surlonge	INDIRECT Moyenne/ARRÊT/ moyenne	Moy-saignante (145° F/63° C) à moyenne (160° F/71° C)	32-40 par lb (15-18 par kg)	Recouvrir de papier d'aluminium pendant les 45 à 60 premières minutes de cuisson.
Steaks, 1" (2,5 cm) Aloyau, côte, contre-filet, surlonge	DIRECT Moyenne	Moy-saignante (145° F/63° C) à moyenne (160° F/71° C)	11-16	Faire pivoter les steaks de ¼ de tour pour créer des marques de gril croisées.
Steaks, 1½" (3,8 cm) Aloyau, côte, contre-filet, surlonge	DIRECT Moyenne	Moy-saignante (145° F/63° C) à moyenne (160° F/71° C)	18-25	
Intérieur de ronde ou épaule/bloc d'épaule (London Broil) de 1½" (3,8 cm) d'épaisseur	DIRECT Moyenne	Moy-saignante (145° F/63° C) à moyenne (160° F/71° C)	22-29	
Flanc de ½" (1,3 cm) d'épaisseur	DIRECT Moyenne	Moy-saignante (145° F/63° C)	11-16	
Porc				
Côtelettes, 1" (2,5 cm) 1½" (3,8 cm) d'épaisseur	DIRECT Moyenne à moyenne-faible	Moyenne (160° F/71° C)	12-22 30-40	
Côtes 2½ ± 4 lb (0,9 à 1,5 kg)	INDIRECT Moy./ARRÊT/moy.	Moyenne (160° F/71° C)	40-60	Griller, retourner occasionnellement. Au cours des quelques dernières minutes, enduire de sauce barbecue si désiré. Lorsque c'est cuit, emballer dans du papier d'aluminium.
Rôti, filet désossé, 1 lb (0,37 kg)	DIRECT Moyenne	Moyenne (160° F/71° C)	18-22	Retourner pendant la cuisson pour dorer tous les côtés.
Demi-jambon 8 à 10 lb (3 à 3,7 kg)	INDIRECT Moy./ARRÊT/moy.	Réchauffage (140° F/60° C)	2 à 2 h 30	Emballer l'intégralité du jambon dans du papier d'aluminium et placer sur le gril sans récipient ou plateau d'égouttement.
Steak de jambon précuit, ½" (1,3 cm) d'épaisseur	DIRECT Préchauffage - moyenne Gril - moyenne	Réchauffage (145° F/63° C)	7-10	
Hot dogs	DIRECT Moyenne	Réchauffage (145° F/63° C)	5-10	Entailler la peau si désiré.
Poulet				
Poitrine, désossée	DIRECT Moyenne	170° F/77° C	15-22	Pour une cuisson uniforme, attendrir la poitrine à ¾" (2,0 cm) d'épaisseur.
Morceaux, 2 à 3 lb (0,75 à 1,1 kg)	DIRECT Moy-faible à moyenne	Poitrine 170° F/77° C Cuisse 180° F/82° C		Commencer avec le côté os vers le bas.

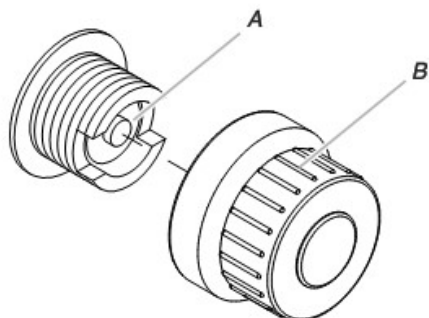
Agneau				
Côtelettes et steaks, Longe, côte, surlonge, 1" (2,5 cm) d'épaisseur	DIRECT Moyenne	Moy-saignante (145° F/63° C) à moyenne (160° F/71° C)	10-20	
1½" (3,8 cm) d'épaisseur	DIRECT Moyenne	Moy-saignante (145° F/63° C) à moyenne (160° F/71° C)	16-20	
ALIMENT	MÉTHODE DE CUISSON/RÉGLAGE DU BRÛLEUR	TEMP. INTERNE	DURÉE (total minutes)	INSTRUCTIONS SPÉCIALES
Poisson et fruits de mer				
Filets, darnes, gros morceaux	DIRECT Moyenne		4 à 6 par ½" (1,3 cm)	Griller, retourner une fois. Enduire la grille d'huile pour empêcher le poisson d'attacher. Retirer du feu lorsque l'intérieur est opaque et floconneux et que la peau s'enlève facilement.
Flétan, saumon, espadon, 8 oz (0,25 kg)			d'épaisseur de poisson	
Entier, poisson-chat, truite arc-en-ciel, 8 à 11 oz (0,25 à 0,34 kg)	DIRECT Élevée		5 à 7 par côté	
Mollusques et crustacés, pétoncles, crevettes	DIRECT Moyenne		4 à 8	
Dinde				
Poitrine entière (morceaux avec os)	INDIRECT ÉLEVÉE/ARRÊT/ ÉLEVÉE	170° F/77° C	14-18 par lb □ (7-8 par kg) □	Recouvrir de papier aluminium jusqu'aux dernières 30 minutes de cuisson.
Demi-poitrine (morceaux avec os)	INDIRECT Moyenne/ARRÊT/ moyenne	170° F/77° C	25-30 par lb □ (7-8 par kg) □	Commencer avec le côté peau vers le bas.
Entière 7 à 12 lb (2,6 à 5,4 kg)	INDIRECT ÉLEVÉE/ARRÊT/ ÉLEVÉE	Poitrine 170° F/77° C Cuisse 180° F/82° C	11-16 par lb □ (5-7 par kg) □	Moins de 11 lb (5 kg).
Légumes frais				
Épi de maïs	DIRECT Moyenne		20-25	Faire tremper dans l'eau froide pendant 20 minutes. Ne pas retirer l'enveloppe de l'épi. Secouer pour éliminer l'excès d'eau.
Aubergine	DIRECT Moyenne		7-10	Laver et couper en tranches de ½" (1,3 cm) ou dans le sens de la longueur. Enduire d'huile d'olive.
Oignon, ½" (1,3 cm) d'épaisseur	DIRECT Moyenne		8-20	Griller, retourner une fois. Enduire d'huile d'olive. Enfiler plusieurs tranches sur une brochette pour les maintenir ensemble.
Pommes de terre, Patates douces, entières	DIRECT Moyenne		40-70	Emballer individuellement dans du papier d'aluminium résistant. Griller, faire pivoter occasionnellement.
Pommes de terre au four, entières	DIRECT Élevée		45-90	
Poivrons, rôtis	DIRECT Élevée		15-22	Laver et placer entier sur le gril. Carboniser la peau tout autour. Laisser refroidir dans un sac en papier ou une pellicule de plastique pour dégager la peau noircie. Peler et retirer les pépins.
Légumes frais				
Courge, courge d'été, courgette	DIRECT Moyenne		7-10	Laver et couper en tranches de ½" (1,3 cm) ou dans le sens de la longueur. Enduire d'huile d'olive.
Ail Rôti	DIRECT Moyenne		20-25	Couper la partie supérieure, arroser légèrement d'huile d'olive et emballer dans une double couche de papier d'aluminium.

ENTRETIEN DU GRIL D'EXTÉRIEUR

Remplacement de la pile de l'allumeur

Si les allumeurs ne génèrent plus d'étincelles, la pile doit être remplacée.

1. Dévisser le couvercle du bouton d'allumage dans le sens antihor.



- Pile de format "AA"
- Couvercle d'allumeur

2. Retirer la pile du compartiment à piles.
3. La remplacer par une pile alcaline neuve de format "AA".
Installer la pile en insérant l'extrémité négative en premier.
4. Revisser le couvercle du bouton d'allumage.

Nettoyage Général

IMPORTANT: Avant le nettoyage, s'assurer que toutes les commandes sont éteintes et que le grill a refroidi. Toujours suivre les instructions figurant sur les étiquettes des produits de nettoyage.

Pour le nettoyage de routine, laver à l'eau savonneuse à l'aide d'un chiffon doux ou d'une éponge. Rincer à l'eau propre et sécher immédiatement à l'aide d'un chiffon doux, sans charpie, afin d'éviter les taches et coulées.

Ne pas utiliser de laine d'acier pour nettoyer le grill, car ceci égratignera la surface.

Utiliser la housse de grill afin d'éviter que le fini ne subisse de dommages liés aux intempéries.

ACIER INOXYDABLE

IMPORTANT: Afin d'éviter d'endommager les surfaces en acier inoxydable, ne pas utiliser de tampons à récurer savonneux, de nettoyants abrasifs, de crème à polir pour table de cuisson, de tampons en laine d'acier, de chiffons de lavage rêches ou d'essuie-tout.

Les produits de nettoyage ne doivent pas contenir de chlore. Des dommages peuvent survenir.

Les renversements d'aliments doivent être nettoyés dès que le grill a entièrement refroidi.

Les renversements peuvent causer une décoloration permanente.

Méthode de nettoyage :

- Frotter dans la direction du grain pour éviter d'égratigner ou d'endommager la surface.
- Nettoyant pour acier inoxydable
- Détergent liquide ou nettoyant tout-usage :
- Rincer à l'eau propre et sécher avec un chiffon doux sans charpie.
- Vinaigre pour éliminer les taches d'eau dure.
- Nettoyant à vitre pour éliminer les traces de doigts.

GRILLES DU GRIL

IMPORTANT: Immédiatement après que vous avez terminé la cuisson, mettre tous les brûleurs à haute pour 10-15 minutes avec le capot fermé à brûler les résidus alimentaires. Désactiver tous les brûleurs, soulever le couvercle principale et laisser refroidir les caillebotis. Après refroidissement complètement, d'un grill racks peuvent être enlevé pour un nettoyage en profondeur. Les nettoyer avec un détergent doux et d'eau chaude. Pour les restes de nourriture cuite, préparer une solution de 1 tasse (240 mL) de l'ammoniac à 1 gal. (3,75 litre) d'eau. Imbiber caillebotis pendant 20 minutes, puis rincer avec de l'eau et sécher complètement.

GRILLE-RÉCHAUD

Méthode de nettoyage :

- Détergent liquide ou nettoyant tout-usage.
- Rincer à l'eau propre et sécher avec un chiffon doux sans charpie.
- Pour les tâches difficiles ou la graisse cuite, utiliser un produit dégraissant

IMPORTANT: Vérifier que l'alimentation en gaz est coupée et que tous les boutons de commande sont à la position Off (arrêt).

EXTÉRIEUR

La qualité de ce matériau résiste à la plupart des taches et piqûres de corrosion dès lors que la surface est maintenue propre et protégée.

- Appliquer le poli pour acier inoxydable sur toutes les zones non dédiées à la cuisson avant la première utilisation. Appliquer de nouveau après chaque nettoyage pour éviter d'endommager la surface de façon permanente.
- Le nettoyage doit toujours être suivi d'un rinçage à l'eau tiède propre.
- Essuyer complètement la surface à l'aide d'un chiffon doux.
- Pour les taches tenaces et la graisse ayant adhéré à la cuisson, utiliser un dégraissant commercial conçu pour l'acier inoxydable.

INTÉRIEUR

On doit s'attendre à une décoloration de l'acier inoxydable sur ces pièces, du fait de la chaleur intense provenant des brûleurs. Toujours frotter dans la direction du grain. Le nettoyage doit toujours être suivi d'un rinçage à l'eau tiède propre.

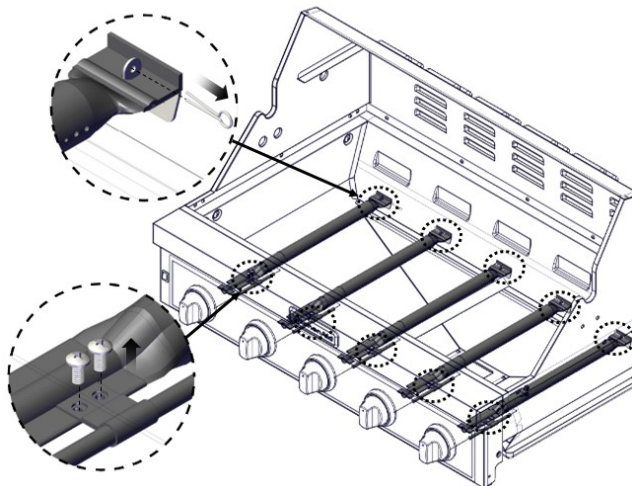
Méthode de nettoyage:

- Détergent liquide ou nettoyant tout-usage.
- Rincer à l'eau propre et sécher complètement avec un chiffon doux sans charpie.
- Une éponge à gratter robuste peut être utilisée avec des produits détergents doux.
- Pour les petites zones difficiles à nettoyer, utiliser un dégraissant pour service intense conçu pour l'acier inoxydable.

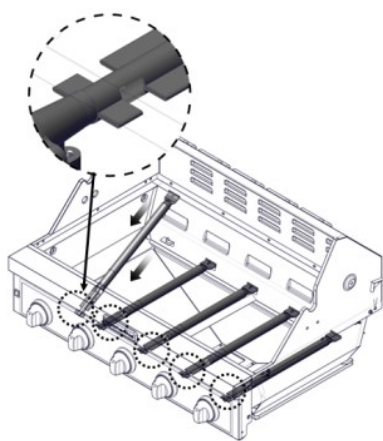
BRÛLEURS

Méthode de nettoyage :

- Nettoyer l'extérieur du brûleur à l'aide d'une brosse métallique.
 - Dégager tout orifice de brûleur obstrué avec une agrafe redressée.
 - Ne pas utiliser de cure-dent car celui-ci pourrait se briser et obstruer le gicleur.
 - Vérifier et nettoyer les tubes du brûleur/de la buse.
1. Ôter les grilles du gril et les régulateurs de flamme.
 2. Retirez les 2 vis et la goupille fendue fixant le brûleur. Retirez le brûleur de gaz du gril.



3. Utiliser une lampe de poche pour inspecter l'intérieur du brûleur par l'intermédiaire de l'entrée du brûleur pour vérifier qu'il n'y a pas de blocage. En cas d'obstruction, utiliser un cintre métallique redressé pour éliminer l'obstruction.
4. Après avoir inspecté l'intérieur du brûleur pour s'assurer de l'absence d'obstruction, réassembler le brûleur en faisant glisser le tube du milieu du brûleur à gaz au-dessus du gicleur de gaz.



5. Réinstaller le brûleur à gaz à l'aide d'une vis.

BRÛLEUR LATÉRAL

Méthode de nettoyage :

1. Nettoyez l'extérieur du brûleur latéral avec une brosse métallique.

LA TASSE DE GRAISSE

IMPORTANT: La tasse de graisse ne doit être retiré que lorsque le gril a complètement refroidi. La tasse de graisse pleine largeur recueille la graisse et les particules alimentaires qui tombent à travers le gril. Le nettoyer souvent pour empêcher l'accumulation de graisse.

Méthode de nettoyage :

- Ôter la tasse et le poser sur une surface plane.
- Essuyer l'excès de graisse avec de l'essuie-tout.
- Détergent doux et eau tiède. Rincer et sécher soigneusement.
- Réinstaller la tasse

BOUTONS ET REBORD DES BOUTONS

IMPORTANT: Afin d'éviter d'endommager les boutons de commande ou les zones périphériques, ne pas utiliser de laine d'acier, de nettoyeurs abrasifs ou de nettoyant pour four. Ne pas immerger les boutons de commande.

Méthode de nettoyage :

- Détergent doux, chiffon doux et eau tiède.
- Rincer et sécher.

ILLUSTRATIONS DU TABLEAU DE COMMANDE

IMPORTANT: Afin d'éviter d'endommager les indications du tableau de commande, ne pas utiliser de laine d'acier, de nettoyeurs abrasifs ou de nettoyant pour four. Ne pas vaporiser le nettoyant directement sur le tableau.

Méthode de nettoyage :

- Nettoyer doucement autour des étiquettes des brûleurs; le frottement pourrait effacer les indications.
- Détergent doux, chiffon doux et eau tiède.
- Rincer et sécher.

DÉPANNAGE

Le gril ne s'allume pas

■ Le robinet de la bouteille de propane de 20 lb est-il fermé?

Ouvrir la bouteille de propane de 20 lb.

■ Le gril est-il bien raccordé à la canalisation de gaz?

Contactez un technicien de réparation qualifié ou voir les instructions d'installation.

■ Y a-t-il du gaz dans la bouteille de propane de 20 lb?

Vérifier le niveau de gaz.

■ L'allumeur fonctionne-t-il?

Vérifier que la pile de l'allumeur est correctement installée ou qu'elle ne doit pas être changée. Voir la section "Remplacement de la pile de l'allumeur".

Vérifier si l'allumeur s'allume avec une allumette. Voir "Allumage manuel du gril principal" dans la section "Utilisation du gril d'extérieur".

Vérifier qu'il n'y a pas de connexions mal raccordées au niveau de l'allumeur ou des électrodes.

Vérifier que les électrodes ne sont pas obstruées par des résidus. Si une étincelle se produit à un autre endroit que l'extrémité de l'allumeur, remplacer l'allumeur.

La flamme du brûleur ne reste pas allumée

■ L'alimentation en gaz est-elle complètement ouverte?

Vérifier que la bouteille de propane de 20 lb est complètement ouverte.

■ Le niveau de gaz dans la bouteille de propane de 20 lb est-il faible?

Vérifier le niveau de gaz.

■ Le brûleur est-il correctement installé et en bon état?

Vérifier que le brûleur est correctement installé. Vérifier l'absence de défauts dans le brûleur.

La flamme fait du bruit, est faible ou irrégulière

■ L'alimentation en gaz est-elle complètement ouverte?

Vérifier que la bouteille de propane de 20 lb est complètement ouverte.

■ Le niveau de gaz dans la bouteille de propane de 20 lb est-il faible?

Vérifier le niveau de gaz.

■ Un seul des brûleurs semble-t-il faible?

Vérifier et nettoyer les orifices de brûleurs s'ils sont bouchés. Voir la section "nettoyage et entretien" **Le tuyau de l'alimentation en gaz est-il plié ou déformé?**

Straighten the gas supply hose.

■ La flamme fait-elle du bruit ou se détache-t-elle du brûleur?

Le brûleur reçoit peut-être trop d'air. Vérifier le réglage de l'admission d'air; voir la section "Contrôle et réglage des brûleurs".

■ La flamme du brûleur est-elle principalement jaune ou orange?

Le gril se trouve peut-être dans un endroit trop venté ou pas suffisamment aéré. Vérifier que les orifices d'admission d'air du brûleur ne sont pas obstrués. Vérifier le réglage de l'admission d'air; voir la section "Contrôle et réglage des brûleurs".

LED ne fonctionne pas lorsque l'interrupteur est à la position "ON"?

La batterie est correctement installée?

Vérifiez si la batterie installée correctement dans la boîte de la batterie. S'il vous plaît se référer à l'étape 25.

Est-ce que le fil de lumière LED relie la boîte de batterie correctement?

Vérifiez la connexion entre le fil de lumière LED et la boîte de la batterie, voir si elle est assez serré. Pour remplacer la boîte de la batterie, s'il vous plaît commander la pièce # 71.

Ne l'interrupteur de lumière et le fil LED connectent correctement?

Démonter panneau de contrôle principal pour vérifier la connexion entre l'interrupteur de lumière et le fil de lumière LED, et remplacer l'ensemble de lumière LED (Part # 82) Si le problème ne peut être résolu.

Montées de flamme excessives

■ Les aliments que vous grillez contiennent-ils beaucoup de graisse?

Garder un niveau de flamme faible ou éteindre un brûleur.

Garder le couvercle en position ouverte lors de l'utilisation du gril pour éviter des montées de flamme excessives.

Placer les aliments sur la grille-réchaud jusqu'à ce que la taille des flammes rétrécisse.

Afin d'éviter d'endommager le gril, ne pas asperger les flammes avec de l'eau.

Chaleur faible

Gaz propane :

Pour les grils d'extérieur fonctionnant avec une bouteille de propane de 20 lb, ouvrir doucement le robinet de gaz.

REMARQUE : En cas d'activation d'un dispositif de limitation du débit de gaz, le gril peut ne pas s'allumer. Si le brûleur du gril parvient à s'allumer, la taille des flammes sera réduite de même que le débit thermique.

1. Fermer le robinet de la bouteille et tous les robinets du gril et attendre 30 secondes.

2. Après avoir fermé le robinet de la bouteille, le rouvrir très lentement et attendre 5 secondes avant de procéder à l'allumage.

3. N'allumer qu'un brûleur à la fois. Voir la section "Allumage du gril principal".

Gaz naturel :

La taille et la longueur de la canalisation allant du domicile au gril influent sur la pression du gaz. Contacter un technicien qualifié pour l'installation de la canalisation d'alimentation en gaz naturel jusqu'à l'emplacement choisi pour le gril, en conformité avec les prescriptions de la plus récente édition du National Fuel Gas Code ANSI Z223.1/NFPA 54 et des codes locaux.

ASSISTANCE

Avant de faire un appel pour obtenir de l'assistance, vérifiez la section "Dépannage". Si vous avez encore besoin d'aide, suivez les instructions ci-dessous.

Pour votre appel, veuillez connaître la date d'achat et les numéros de modèle et de série complets de votre appareil. Ces renseignements nous aideront à mieux répondre à votre demande.

Si vous avez besoin de pièces de rechange

Pour toute question ou pour obtenir des pièces de rechange, contactez le service clientèle au **1-877-373-2301**.

Prière d'adresser tout courrier à :

Veuillez indiquer dans votre correspondance un numéro de téléphone où l'on peut vous joindre dans la journée.

Accessoires

Ensemble de conversion au gaz naturel

Commander la pièce numéro 710-0003

GARANTIE LIMITÉE (Modèle no 720/730-0893)

Nexgrill garantit uniquement au consommateur-acquéreur que ce produit (modèle n° 720/730-0893 sera exempt de tout défaut de fabrication et de matériau après un assemblage correct et dans des conditions d'utilisation domestique normales et raisonnables pour les périodes indiquées ci-dessous, à compter de la date d'achat. Le fabricant se réserve le droit d'exiger des preuves photographiques des dommages, ou que les pièces défectueuses soient renvoyées tout port payé par le consommateur, pour examen. L'obligation de Nexgrill est limitée à la réparation, le remplacement ou la valeur dépréciée, au gré de Nexgrill.

Brûleurs tubulaires en acier inoxydable : Garantie LIMITÉE de 10 ans contre toute perforation; **autres brûleurs (Brûleur latéral) :** 1 an.

Grilles : Garantie LIMITÉE de 3 ans;

ne couvre pas tout dommage lié à une chute, écaillage, érafflement ou endommagement de la surface.

Pièces en acier inoxydable : Garantie LIMITÉE de 3 ans contre toute perforation;

ne couvre pas les problèmes esthétiques tels que la corrosion, les éraflures et la rouille.

Toutes les autres pièces : Garantie LIMITÉE de un an (y compris, sans limitation, vannes, bâti, enceinte, chariot, tableau de commande, allumeur, détendeur, tuyaux flexibles);

ne couvre pas tout écaillage, érafflement, craquellement de la surface par corrosion, éraflures ou par la rouille.

Sur présentation d'une preuve d'achat (fournie avec la présente) par le consommateur, le fabricant réparera ou remplacera les pièces qui se sont avérées défectueuses, durant la période de garantie applicable. Le coût des pièces nécessaires à l'exécution de ladite réparation ou dudit remplacement sera pris en charge par nos soins, hormis les frais d'expédition, dans la mesure où l'acheteur reste dans la période de garantie commençant à partir de la date d'achat d'origine. Tous frais d'expédition des pièces remplacées en vertu des conditions de la présente garantie limitée seront à la charge du consommateur-acquéreur initial. Cette garantie limitée s'applique uniquement aux États-Unis uniquement, ne peut être utilisée que par le propriétaire d'origine du produit et n'est pas cessible. Le fabricant exige une preuve d'achat valable. En conséquence, vous devez conserver votre reçu de vente et (ou) votre facture. Si l'appareil a été offert en cadeau, veuillez demander à la personne l'ayant offert d'expédier le reçu en votre nom, à l'adresse ci-dessous. Aucune pièce défectueuse ou manquante soumise à cette garantie limitée ne sera remplacée sans enregistrement ou preuve d'achat. Cette garantie limitée s'applique UNIQUEMENT à la fonctionnalité de ce produit et ne couvre aucun problème esthétique tel les éraflures, indentations, corrosions ou décolorations liées à la chaleur, à l'emploi de nettoyeurs abrasifs et chimiques ou de tout outil utilisé pour l'assemblage ou l'installation du produit, l'apparition de rouille sur la surface, ou la décoloration des surfaces en acier inoxydable. Dans la mesure où ils n'affectent pas l'intégrité structurale du produit, la présence de rouille ou de corrosion sur la surface, ou l'écaillage de la peinture en poudre sur les pièces métalliques ne sont pas considérés comme des défauts de fabrication ou de matériau et ne sont pas couverts par cette garantie. Cette garantie limitée ne vous remboursera pas les frais liés à tout préjudice physique ou moral, dommages alimentaires ou matériel quelconques. Si une pièce de rechange d'origine n'est pas disponible, une pièce de rechange comparable vous sera expédiée. Tous frais d'expédition des pièces remplacées en vertu des stipulations de cette garantie limitée seront à votre charge.

LE FABRICANT NE PRENDRA PAS EN CHARGE :

- Les visites de service à votre domicile.
- Les réparations lorsque le produit est utilisé à des fins autres que l'usage unifamilial normal ou en résidence.
- Les dommages imputables à : accident, modification, usage impropre ou abusif, manque d'entretien/nettoyage insuffisant, incendie, inondation, actes de Dieu, installation fautive ou installation non conforme aux codes d'électricité ou de plomberie ou utilisation de produits non approuvés par le fabricant.
- Toute perte alimentaire en raison d'une défaillance du produit.
- Le coût des pièces de rechange et de la main-d'oeuvre de réparation pour les appareils utilisés hors des États-Unis ou du Canada.
- L'enlèvement et la livraison du produit.
- Les frais d'affranchissement ou de développement de photos liés aux photos envoyées comme documentation.
- Les réparations effectuées sur les pièces ou systèmes résultant d'une modification non autorisée apportée au produit.
- L'enlèvement et (ou) la réinstallation du produit.
- Les frais d'expédition, en envoi standard ou express, pour les éléments couverts ou non par la garantie et pour les pièces de rechange.

CLAUSE D'EXONÉRATION DE RESPONSABILITÉ AU TITRE DES GARANTIES IMPLICITES; LIMITATION DES RECOURS

La réparation ou le remplacement des pièces défectueuses constitue l'unique recours du propriétaire en vertu des conditions de la présente garantie limitée. Le fabricant n'assume aucune responsabilité pour tout dommage fortuit ou indirect entraîné par la violation de la présente garantie limitée ou de toute garantie implicite applicable, ou pour toute défectuosité ou dommage entraîné(e) par des actes de Dieu, un mauvais entretien, un feu de graisse, un accident, une modification, le remplacement de pièces par toute autre personne que le fabricant, une mauvaise utilisation, le transport, une utilisation commerciale, un usage abusif, des conditions environnementales détritantes (intempéries, phénomènes naturels, altération causée par des animaux), une installation incorrecte ou non conforme aux codes locaux ou aux instructions fournies par le fabricant.

LA PRÉSENTE GARANTIE LIMITÉE CONSTITUE L'UNIQUE GARANTIE EXPRESSE FOURNIE PAR LE FABRICANT. QUEL QUE CE SOIT L'ENDROIT OÙ ELLE APPARAÎT, AUCUNE SPÉCIFICATION OU DESCRIPTION DE PERFORMANCE DU PRODUIT N'EST GARANTIE PAR LE FABRICANT. HORMIS DANS LA MESURE ÉTABLIE PAR LA PRÉSENTE GARANTIE LIMITÉE. TOUTE PROTECTION CONTRE UNE GARANTIE IMPLICITE EXISTANT EN VERTU DES LOIS D'UN ÉTAT, Y COMPRIS LES GARANTIES IMPLCITES DE QUALITÉ MARCHANDE OU D'APTITUDE À UN USAGE PARTICULIER EST LIMITÉE DANS SA DURÉE PAR LA PRÉSENTE À LA DURÉE DE VALIDITÉ DE CETTE GARANTIE LIMITÉE.

promettre des recours venant en complément ou allant à l'encontre des garanties énoncées ci-dessus. Quelles que soient les circonstances, la responsabilité maximale du fabricant ne s'étend pas au-delà du prix d'achat avéré du produit payé par le consommateur d'origine. Cette garantie s'applique uniquement aux appareils achetés auprès d'un détaillant et (ou) d'un revendeur autorisé(s).

REMARQUE : Certains États ne permettent pas l'exclusion ou la limitation des dommages fortuits ou indirects, de sorte que les limitations ou exclusions ci-dessus peuvent ne pas s'appliquer dans votre cas; cette garantie limitée vous confère des droits spécifiques tels que mentionnés aux présentes. Vous pouvez également jouir d'autres droits; ceux-ci varient d'un État à l'autre.

Si vous souhaitez obtenir l'application de toute obligation établie par la présente garantie limitée, veuillez écrire à l'adresse suivante :

Nexgrill Customer Relations

14050 Laurelwood PI

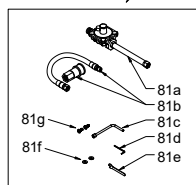
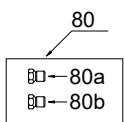
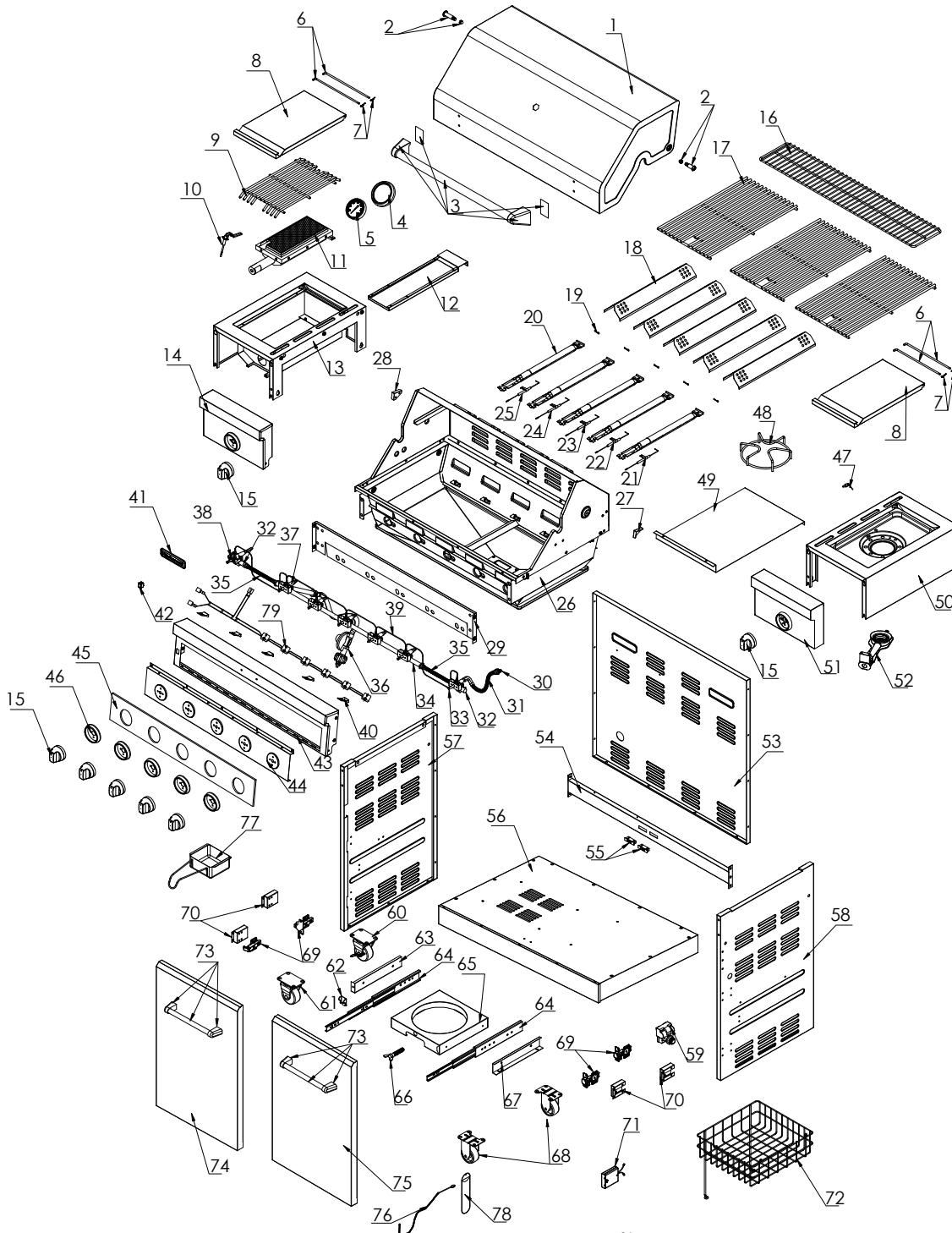
Chino, CA 91710

Toutes les demandes de remboursement, commandes de pièces, questions d'ordre général et assistance dépannage du consommateur peuvent être obtenues en appelant le 1-877-373-2301.

Replacement Parts see Page 88

Piezas de Reemplazo ver Pagina 90

Remplacement Pieces voir Page 92



NG Conversion Kit

Parts List

No.	Part (Description)	Warranty coverage (year)	QTY	No.	Part (Description)	Warranty coverage (year)	QTY
1	Main lid	3	1	27	Main lid bracket, right	1	1
2	Main lid screw	3	2	28	Main lid bracket, left	1	1
3	Main lid handle assembly	1	1	29	Front baffle	1	1
4	Temperature gauge housing	1	1	30	Side burner orifice brass connector	1	1
5	Temperature gauge	1	1	31	Side burner flex gas line B	1	1
6	Side burner lid hinge rod	1	4	32	Side manifold	1	2
7	Side burner lid hinge rod pin	1	4	33	Side burner gas valve	1	1
8	Side burner lid	3	2	34	Main burner manifold	1	1
9	Searing side burner cooking grid	3	1	35	Side burner flex gas line A	1	2
10	Searing side burner igniter wire	1	1	36	Regulator, LP	1	1
11	Searing side burner	1	1	37	Main burner gas valve	1	5
12	Searing side burner grease tray	1	1	38	Searing side burner gas valve	1	1
13	Searing side burner bowl assembly	1	1	39	Igniter junction wire	1	1
14	Searing side burner control panel	3	1	40	Tempered glass strengthen bracket	1	5
15	Control knob	1	7	41	Logo	1	1
16	Warming rack	1	1	42	Light switch	1	1
17	Cooking grid with hole	3	3	43	Main control panel	3	1
18	Flame tamer	3	5	44	Main control temper glass fix panel	1	1
19	Burner pin assembly	1	5	45	Tempered glass	1	1
20	Main burner	10	5	46	Bezel	1	5
21	Main burner igniter wire A	1	1	47	Side Burner Igniter wire	1	1
22	Main burner igniter wire B	1	1	48	Side burner cooking grid	3	1
23	Main burner igniter wire C	1	1	49	Tank heat shield	1	1
24	Main burner igniter wire D	1	1	50	Side burner bowl assembly	1	1
25	Main burner igniter wire E	1	1	51	Side burner control panel, right	3	1
26	Main burner bowl assembly	Non-replaceable	1	52	Side burner	1	1

Parts List

No.	Part (Description)	Warranty coverage (year)	QTY	No.	Part (Description)	Warranty coverage (year)	QTY
53	Back panel	1	1	74	Door, left	3	1
54	Cart frame, front	1	1	75	Door, right	3	1
55	Door magnet	1	2	76	Lighting rod	1	1
56	Bottom panel	1	1	77	Grease cup	1	1
57	Side panel, left	1	1	78	Lighting rod cover	1	1
58	Side panel, right	1	1	79	Control panel light	1	1
59	Electric igniter module	1	1	80	NG orifice pack	1	1
60	Swivel caster with brake	1	1	80a	Searing side burner NG orifice Ø 1.9mm	1	1
61	Swivel caster	1	1	80b	Side burner NG orifice Ø 1.7mm	1	1
62	Gas tank tray block piece	1	1	81	NG conversion kit	Sold separately as set	1
63	Gas tank tray slide bracket, left	1	1	81a	NG Regulator assembly	Sold separately as set with #81	1
64	Gas tank tray slide	1	2	81b	NG Gas Hose with Quick Connector assembly	Sold separately as set with #81	1
65	Tank tray	1	1	81c	6mm nut driver	Sold separately as set with #81	1
66	Tank tray bolt	1	1	81d	Hex wrench	Sold separately as set with #81	1
67	Gas tank tray slide bracket, right	1	1	81e	6mm wrench	Sold separately as set with #81	1
68	Caster	1	2	81g	Truss Head Screw with lock	Sold separately as set with #81	2
69	Door hinge assembly	1	4	81f	Flat washer	Sold separately as set with #81	2
70	Door hinge bracket assembly	1	4		Grill cover		1
71	Battery box	1	1		manual		1
72	Cart basket	1	1		Preassembly hardware pack		1
73	Door handle assembly	1	2				

*Natural gas conversion kit sold separately

Lista de partes

No.	Pieza (Descripción)	Cobertura de garantía (año)	CANT.	No.	Pieza (Descripción)	Cobertura de garantía (año)	CAN T.
1	Tapa principal	3	1	27	Abrazadera de la tapa principal, derecha	1	1
2	Tornillo de la tapa principal	1	2	28	Abrazadera de la tapa principal, izquierda	1	1
3	Conjunto principal del mango de la tapa	1	1	29	Compuerta delantera	1	1
4	Carcasa del medidor de temperatura	1	1	30	Conector de bronce del orificio de gas natural	1	1
5	Medidor de temperatura	1	1	31	Línea de gas flexible para el mechero lateral	1	1
6	Barra de la bisagra de la tapa del quemador lateral	1	4	32	Colector del mechero lateral	1	1
7	Pasador de barra de la bisagra de la tapa del quemador lateral	1	4	33	Válvula de gas del quemador lateral	1	1
8	Tapa del mechero lateral	3	2	34	Colector del mechero principal	1	1
9	Parrilla del mechero de marcado lateral	3	1	35	Línea de gas flexible para el mechero de marcado	1	1
10	Cable de encendedor del mechero de marcado	1	1	36	Regulador, del propano líquido	1	1
11	Mechero de marcado	1	1	37	Válvula de gas del mechero principal	1	5
12	Bandeja para grasa del mechero lateral para marcado	1	1	38	Válvula de gas del mechero lateral para marcado	1	1
13	Ensamble del bol del mechero lateral para marcado	1	1	39	Cable de empalme del encendedor	1	1
14	Panel de control izquierdo del mechero lateral para marcado	3	1	40	soporte de vidrio temperamento	1	5
15	Perilla de control	1	7	41	Logotipo	1	1
16	Plataforma calentadora	1	1	42	Tecla de luz	1	1
17	Rejilla de cocción con agujero	3	3	43	Panel de control principal	3	1
18	Regulador de llama	3	5	44	Panel fijo de vidrio temperamento de control principal	1	1
19	Montaje del perno del quemador	1	5	45	vidrio temperamento	1	1
20	Mechero principal	10	5	46	Bisel	1	5
21	Cable del encendedor del mechero principal A	1	1	47	cable de encendido del quemador lateral	1	1
22	Cable del encendedor del mechero principal B	1	1	48	Parrilla del quemador lateral	3	1
23	Cable del encendedor del mechero principal C	1	1	49	Escudo de calor del tanque	1	1
24	Cable del encendedor del mechero principal D	1	1	50	Ensamble del embudo del mechero lateral	1	1
25	Cable del encendedor del mechero principal E	1	1	51	Panel de control del mechero lateral derecho	3	1
26	Ensamble de la cuba del mechero principal	No reemplazable	1	52	Mechero lateral	1	1

Lista de partes

No.	Pieza (Descripción)	Cobertura de garantía (año)	CANT.	No.	Pieza (Descripción)	Cobertura de garantía (año)	CANT.
53	Panel trasero	1	1	74	Puerta, lado izquierdo	3	1
54	Marco del carro, frente	1	1	75	Puerta, lado derecho	3	1
55	Imán para la puerta	1	2	76	Varilla de encendido	1	1
56	Panel inferior	1	1	77	Recipiente para grasa	1	1
57	Panel lateral, izquierdo	1	1	78	Tapa del eje de iluminación	1	1
58	Panel lateral, lado derecho	1	1	79	luz del panel de control	1	1
59	Módulo del encendedor electrónico	1	1	80	Parte de entrada de gas natural	1	1
60	Rueda giratoria con freno	1	1	80a	Orificio NG del mechero lateral de marcado Ø 1.9 mm	1	1
61	Rueda giratoria	1	1	80b	Orificio NG del mechero lateral Ø 1.7 mm	1	1
62	Pieza de bloqueo de la bandeja del tanque de gas	1	1	81	Kit de conversión NG	Se vende por separado como conjunto	1
63	Ménsula de deslizamiento de la bandeja del tanque de gas, izquierda	1	1	81a	Ensamble del regulador de gas natural	Se vende por separado como conjunto con n° 81	1
64	Deslizador de la bandeja del tanque de gas	1	2	81b	Manguera de gas natural con ensamble del conector rápido		1
65	Bandeja del tanque	1	1	81c	Botaperno de 6 mm		1
66	Perno para la bandeja del tanque	1	1	81d	Llave hexagonal		1
67	Ménsula de deslizamiento de la bandeja del tanque de gas, derecha	1	1	81e	Llave inglesa de 6 mm		1
68	Rueda	1	2	81g	Tornillo de cabeza ovalada con bloqueo		2
69	Ensamble del gozne de la puerta	1	4	81f	Arandela plana		2
70	Ensamble de la abrazadera del gozne de la puerta	1	4		Cubierta de la parrilla		1
71	Caja de baterías	1	1		manual		1
72	Canasta del carro	1	1		Pre montaje de paquete de equipos		1
73	Conjunto de mango de la puerta	1	2				

Liste des pièces

N°	Pièce (description)	Couverture de la garantie (année)	QTÉ	N°	Pièce (description)	Couverture de la garantie (année)	QTÉ
1	Couvercle principal	3	1	27	Support du couvercle principal, droit	1	1
2	Vis du couvercle principal	1	2	28	Support du couvercle principal, gauche	1	1
3	Poignée du couvercle principal	1	1	29	Chicane avant	1	1
4	Boîtier de l'indicateur de température	1	1	30	Connecteur en cuivre pour l'orifice du brûleur latéral	1	1
5	Indicateur de température	1	1	31	Tuyau de gaz flexible du brûleur latéral	1	1
6	Barre d'accouplement à charnière du couvercle du brûleur latéral	1	4	32	Collecteur du brûleur latéral	1	2
7	Barre d'accouplement à charnière couvercle du brûleur latéral	1	4	33	Valve de gaz du brûleur latéral	1	1
8	Couvercle du brûleur latéral	3	2	34	Collecteur du brûleur principal	1	1
9	Grille de cuisson du brûleur latéral à flamber	3	1	35	Tuyau de gaz flexible du brûleur à flamber	1	1
10	Fil du dispositif d'allumage du brûleur à flamber	1	1	36	Régulateur, PL	1	1
11	Brûleur à flamber	1	1	37	Valve de gaz du brûleur principal	1	5
12	Plateau à graisse du brûleur latéral à flamber	1	1	38	Valve de gaz du brûleur latéral à flamber	1	1
13	Bol de brûleur latéral à flamber	1	1	39	Fil de jonction pour allumage	1	1
14	Panneau de commande du brûleur latéral à flamber	3	1	40	Support pour vitre trempée	1	5
15	Bouton de commande	1	7	41	Logo	1	1
16	Grille chauffante	1	1	42	Interrupteur d'allumage	1	1
17	Grille de cuisson avec trou	3	3	43	Panneau de commande principal	3	1
18	Dispositif de contrôle des flammes	3	5	44	Panneau de contrôle supportant la vitre en verre trempé	1	1
19	Ergot du brûleur	1	5	45	Vitre en verre trempé	1	1
20	Brûleur principal	10	5	46	Collerette	1	5
21	Fil d'allumage du brûleur principal A	1	1	47	Cable d'allumage du brûleur latéral	1	1
22	Fil d'allumage du brûleur principal B	1	1	48	Grille de cuisson du brûleur latéral	3	1
23	Fil d'allumage du brûleur principal C	1	1	49	Protecteur thermique de la bouteille	1	1
24	Fil d'allumage du brûleur principal D	1	1	50	Assemblage du bol de brûleur latéral	1	1
25	Fil d'allumage du brûleur principal E	1	1	51	Panneau de commande du brûleur latéral, droit	3	1
26	Assemblage du bol de brûleur principal	Non remplaçable	1	52	Brûleur latéral	1	1

Liste des pièces

N°	Pièce (description)	Couverture de la garantie (année)	QTÉ	N°	Pièce (description)	Couverture de la garantie (année)	QTÉ
53	Panneau arrière	1	1	73	Poignée de porte	1	2
54	Cadre de chariot, avant	1	1	74	Porte, gauche	3	1
55	Aimant de porte	1	2	75	Porte, droite	3	1
56	Panneau inférieur	1	1	76	Bâtonnet d'allumage	1	1
57	Panneau latéral, gauche	1	1	77	Réceptacle à graisse	1	1
58	Panneau latéral, droite	1	1	78	Pochette de la baguette d'allumage	1	1
59	Module pour allumage électrique	1	1	79	Lumière de panneau de contrôle	1	1
60	Roulette pivotante avec frein	1	1	80	Garniture pour orifice de gaz naturel	1	1
61	Roulette pivotante	1	1	80a	Orifice pour GN du brûleur latéral à flamber de Ø 1,9 mm	1	1
62	Pièce de blocage du plateau de la bouteille de gaz	1	1	80b	Orifice pour GN du brûleur latéral de Ø 1,7mm	1	1
63	Support coulissant du plateau de la bouteille de gaz, gauche	1	1	81	Kit de conversion pour GN	Vendu séparément comme ensemble	1
64	Glissière du plateau de la bouteille de gaz	1	2	81a	Assemblage du régulateur de gaz naturel	Vendu séparément comme ensemble avec réf. 75	1
65	Plateau de la bouteille	1	1	81b	Tuyau de gaz naturel avec connecteur à branchement rapide		1
66	Boulon du plateau de la bouteille	1	1	81c	Tourne-écrou 6 mm		1
67	Support coulissant du plateau de la bouteille de gaz, droite	1	1	81d	Clé hexagonale		1
68	Roulette	1	2	81e	Clé 6 mm		1
69	Charnière de porte	1	4	81g	Vis à tête bombée avec blocage		2
70	Support de la charnière de porte	1	4	81f	Rondelle plate	2	
71	Compartiment des piles	1	1		Couvercle de la grille	1	1
72	Panier du chariot	1	1		manuel		1
					Paquet quincaillerie pour pré-assemblage		1

720/730-0893

© 2016.

All rights reserved.

Todos los derechos reservados.

Tous droits réservés.

®/™ ©2016 KitchenAid. All rights reserved.
Manufactured under license by Nexgrill Industries, Inc., Chino, CA.

Limited warranty provided by manufacturer.

®/™ ©2016 KitchenAid. Todos los derechos reservados.

Fabricado bajo licencia por Nexgrill Industries, Inc., Chino, CA.

Garantía limitada provista por el fabricante.

®/™ ©2016 KitchenAid. Tous droits réservés.

Fabriqué sous licence par Nexgrill Industries, Inc., Chino, CA.

Garantie limitée fournie par le fabricant.

11/16

Printed in China

Impreso en China

Im-primé en Chine