

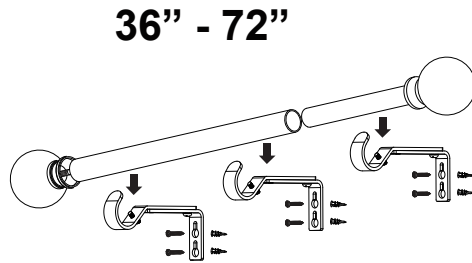
DRAPERY ROD SET INSTALLATION GUIDE

Note:

Finial shown is for illustration purposes only. It may not represent the style of finial purchased. For larger width windows, two persons may be required for easier leveling.

Tools needed:

Tape Measure, Pencil, Drill & Bit Set, Philipshead Screwdriver, Level



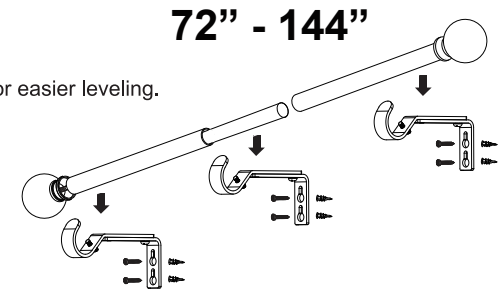
DRAPERY ROD SET INSTALLATION GUIDE

Note:

Finial shown is for illustration purposes only. It may not represent the style of finial purchased. For larger width windows, two persons may be required for easier leveling.

Tools needed:

Tape Measure, Pencil, Drill & Bit Set, Philips head Screwdriver, Level



BRACKET INSTALLATION

STEP 1.

Unscrew the projection screw and remove the front bracket. Place the base bracket against the wall or ceiling at desired locations and mark screw holes. Use tape measure and level to make sure marked screw holes are horizontal to each other.

STEP 2A. (FOR MOUNTING TO DRYWALL, CEILING OR PANELING)

Pre-drill two pilot holes for each bracket (1/4" drill bit). Screw anchors into the pilot holes (do not use hammer or tap-in), and then fasten screws into wall anchors.

STEP 2B. (FOR MOUNTING TO WOOD OR STUDS)

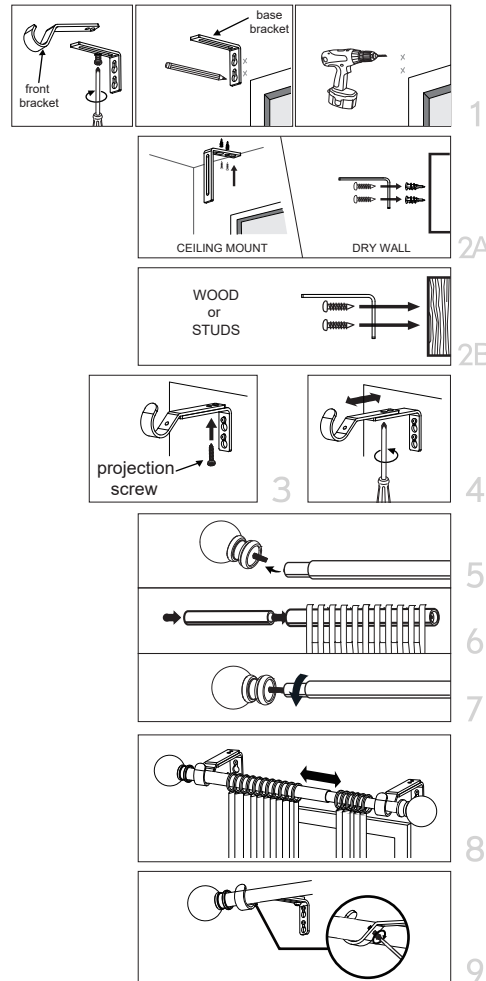
Pre-drill two pilot holes for each bracket (1/8" drill bit) and insert the screws.

STEP 3.

Insert the brackets through the screws and gently pull down to tighten the screw against the narrower portion of the bracket key hole.

STEP 4.

Determine projection of brackets. Loosen projection screw, slide bracket to desire position and tighten projection screw. Repeat for each bracket.



ROD INSTALLATION

STEP 5.

Detach finial from inner rod.

STEP 6.

Assemble rod and shirr drapery treatment onto rod.

STEP 7.

Screw finials onto inner rod. Rotate finial on rod for proper alignment if required.

STEP 8.

Extend rod to desired width and place it into the brackets. Adjust draperies to desired position.

FINAL ADJUSTMENT

STEP 9.

Secure each rod by tightening screws provided.

BRACKET INSTALLATION

STEP 1.

Unscrew the projection screw and remove the front bracket. Place the base bracket against the wall or ceiling at desired locations and mark screw holes. Use tape measure and level to make sure marked screw holes are horizontal to each other.

STEP 2A. (FOR MOUNTING TO DRYWALL, CEILING OR PANELING)

Pre-drill two pilot holes for each bracket (1/4" drill bit). Screw anchors into the pilot holes (do not use hammer or tap-in), and then fasten screws into wall anchors.

STEP 2B. (FOR MOUNTING TO WOOD OR STUDS)

Pre-drill two pilot holes for each bracket (1/8" drill bit) and insert the screws.

STEP 3.

Insert the brackets through the screws and gently pull down to tighten the screw against the narrower portion of the bracket key hole.

STEP 4.

Determine projection of brackets. Loosen projection screw, slide bracket to desire position and tighten projection screw. Repeat for each bracket.

ROD INSTALLATION

STEP 5.

Detach finial from inner rod.

STEP 6.

Attach finial to extra outer rod. Assemble rod and shirr drapery treatment onto rod.

STEP 7.

Extend rod to desired width and place it into the brackets. Adjust draperies to desired position.

FINAL ADJUSTMENT

STEP 8.

Secure each rod by tightening screws provided.

