

### Features

- Cast iron with Safeguard® finish.
- Right drain.
- Three-wall alcove installation.
- 60" (1524 mm) x 32" (813 mm) x 15-1/2" (394 mm)



For complete listing of available colors, go to [kohler.com](http://kohler.com).

ADA

### Codes/Standards

ASME A112.19.1/CSA B45.2

ASTM F462

ADA

ICC/ANSI A117.1

### KOHLER® Lifetime Limited Warranty for Cast Iron Components

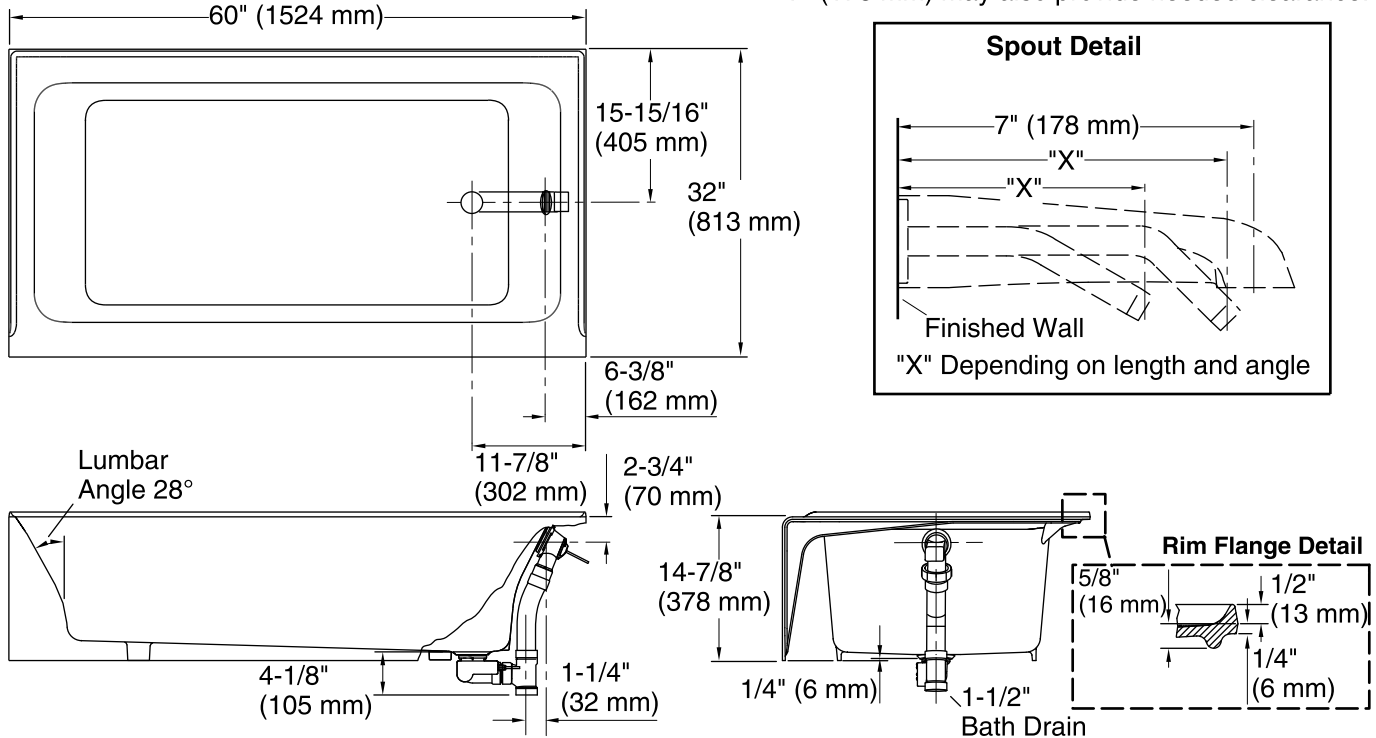
See website for detailed warranty information.

### Product Specification

Bath shall be 60" (1524 mm) in length, 32" (813 mm) in width, and 15-1/2" (394 mm) in height. Bath shall be made of cast iron material with Safeguard® finish. Bath shall be right drain. Bath shall be three-wall alcove installation. Bath shall be KOHLER Model K-876.

No change in measurements if connected with drain illustrated.  
(K-37383)

**Note:** To clear the bath rim end wall, a minimum 7" (178 mm) bath spout is recommended. Water flow from angled bath spouts less than 7" (178 mm) may also provide needed clearance.



### Technical Information

All measurements are nominal.

Installation:	3-Wall Alcove
Drain location:	Right
Basin area, bottom:	41-1/4" x 18-3/16" (1048 mm x 462 mm)
Basin area, top:	51-1/4" x 23-5/16" (1302 mm x 592 mm)
Weight:	298 lbs (135.2 kg)
Minimum floor load:	52 lbs/ft <sup>2</sup> (253.9 kg/m <sup>2</sup> )
Water depth:	11-5/16" (287 mm)
Water capacity:	44 gal (166.6 L)

### Installation Notes

Measure your actual product for roughing-in details.

Install this product according to the installation guide.

The hot water supply should be 70% of the capacity of the bath or greater. Installations will vary.

ADA compliant when installed to the specific requirements of these regulations.