

ASSEMBLY INSTRUCTION

LEFT/RIGHT REVERSIBLE SLEEPER CORNER SOFA

ASSEMBLY TIPS:

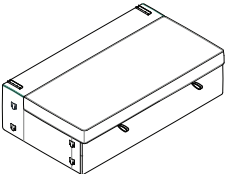
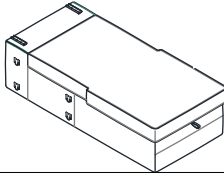
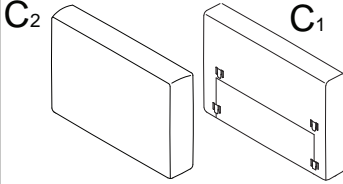
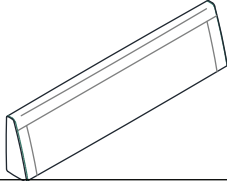
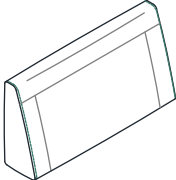
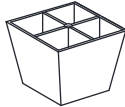

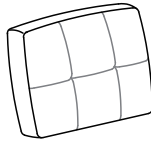

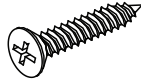


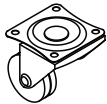
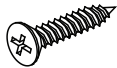
1. Take out hardware from box and sort by size.
2. Please check to see that all hardware and parts are present prior to start of assembly.
3. Please follow attached instruction in the same sequence as numbered to assure fast & easy assembly.



warning!

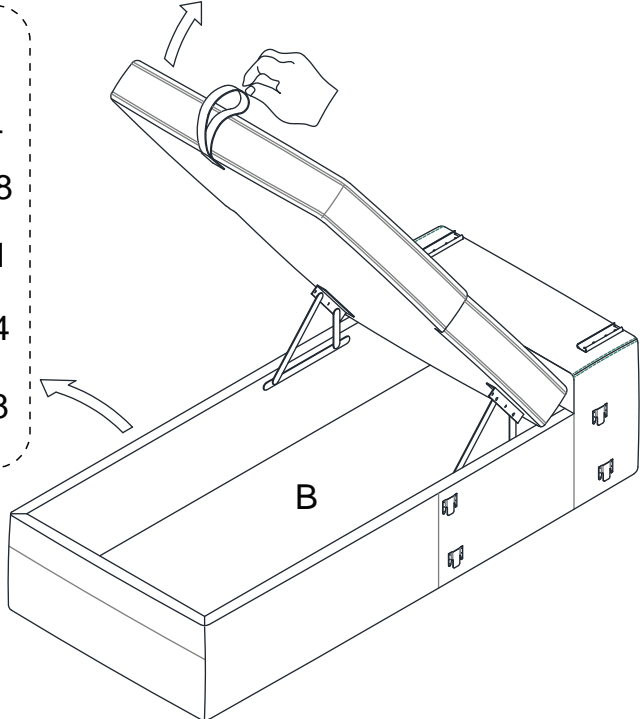
1. Don't attempt to repair or modify parts that are broken or defective. Please contact the store immediately.
2. This product is for home use only and not intended for commercial establishment.

PARTS IDENTIFICATION

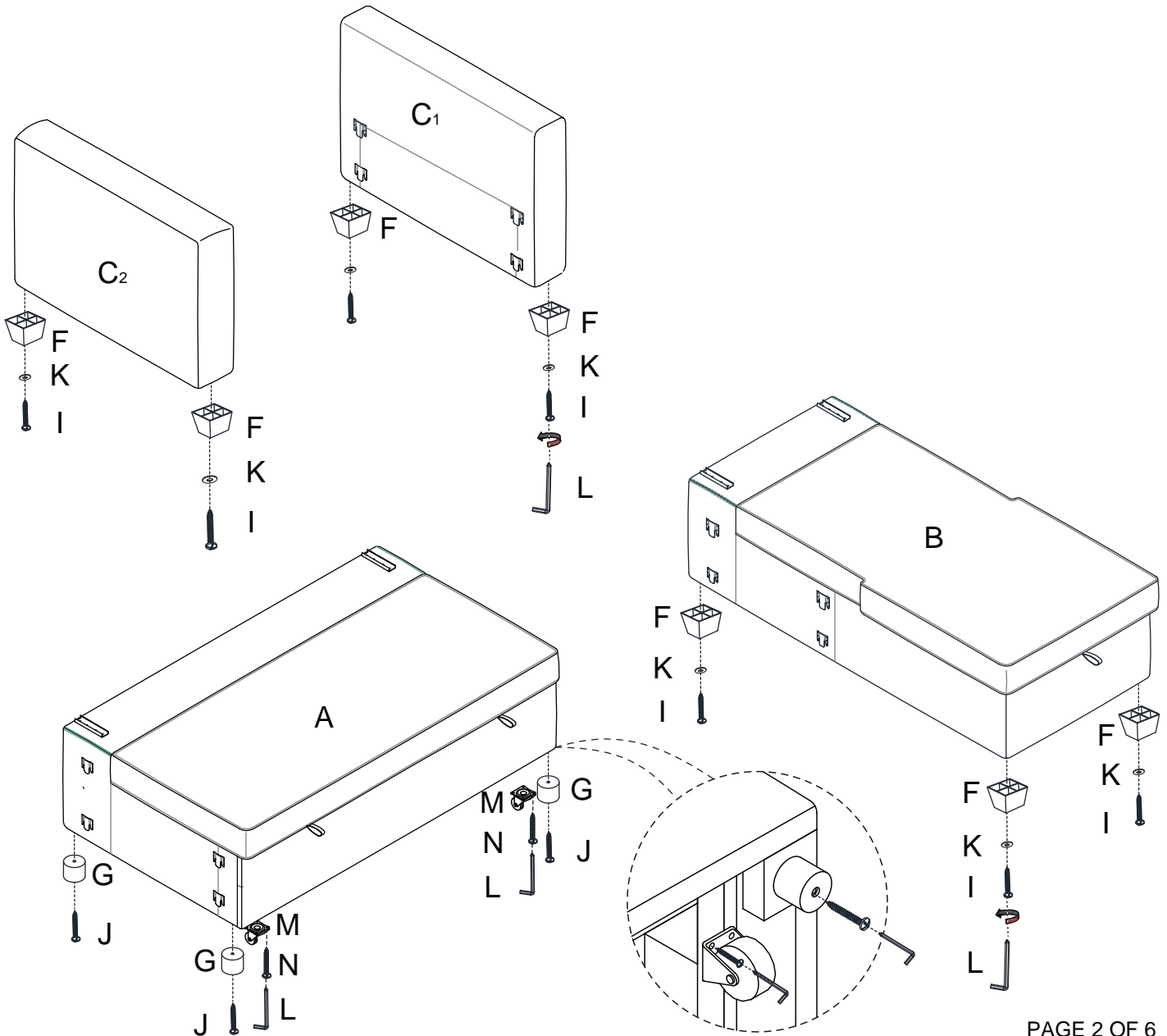
A		SOFA FRAME	1pc	B		CHAISE FRAME	1pc
C		ARM	2pcs	D		BACKREST (FOR SOFA)	1pc
E		BACKREST (FOR CHAISE)	1pc	F		LEGS (FOR CHAISE AND ARM)	8pcs
G		LEGS (FOR SOFA)	4pcs	H		BACK CUSHION	3pcs
I		SCREW 62mm (FOR CHAISE AND ARM)	8pcs	J		SCREW 50mm (FOR SOFA)	4pcs
K		FLAT WASHER (FOR CHAISE AND ARM)	8pcs	L		ALLEN KEY	1pc
M		CASTER	2pcs	N		SCREW 20mm (FOR PULL OUT BED)	8pcs

STEP1:

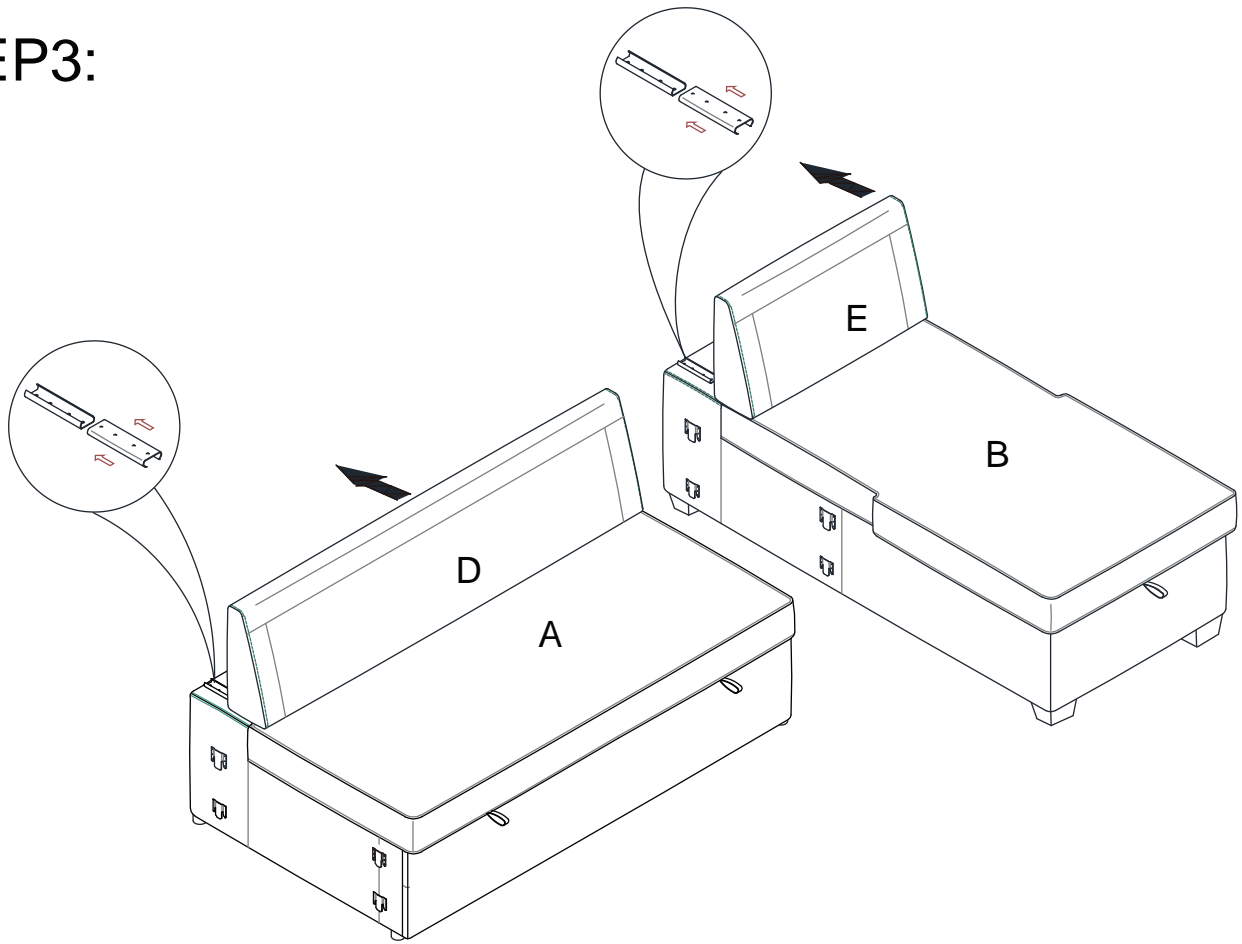
- | | | | |
|--|-----|--|-----|
| | H=1 | | I=8 |
| | E=1 | | J=4 |
| | D=1 | | K=8 |
| | F=8 | | L=1 |
| | M=2 | | G=4 |
| | N=8 | | |



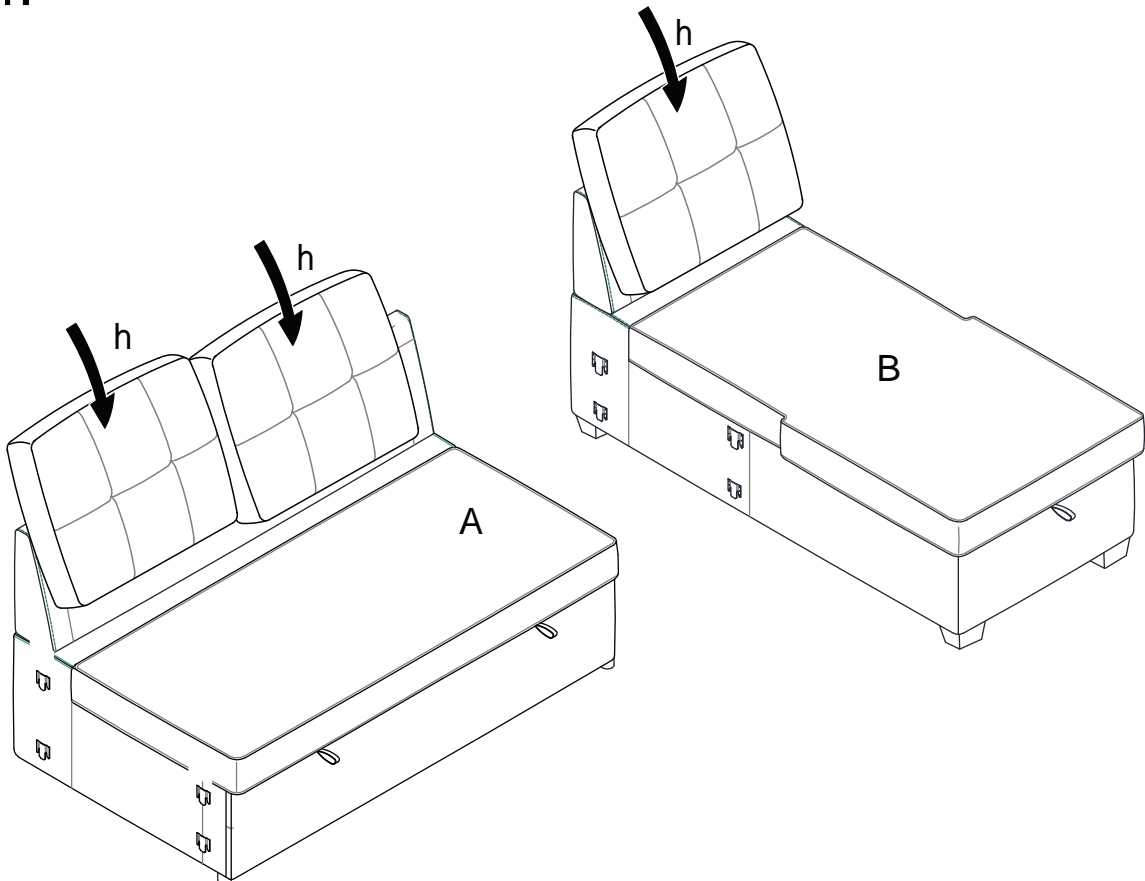
STEP2:



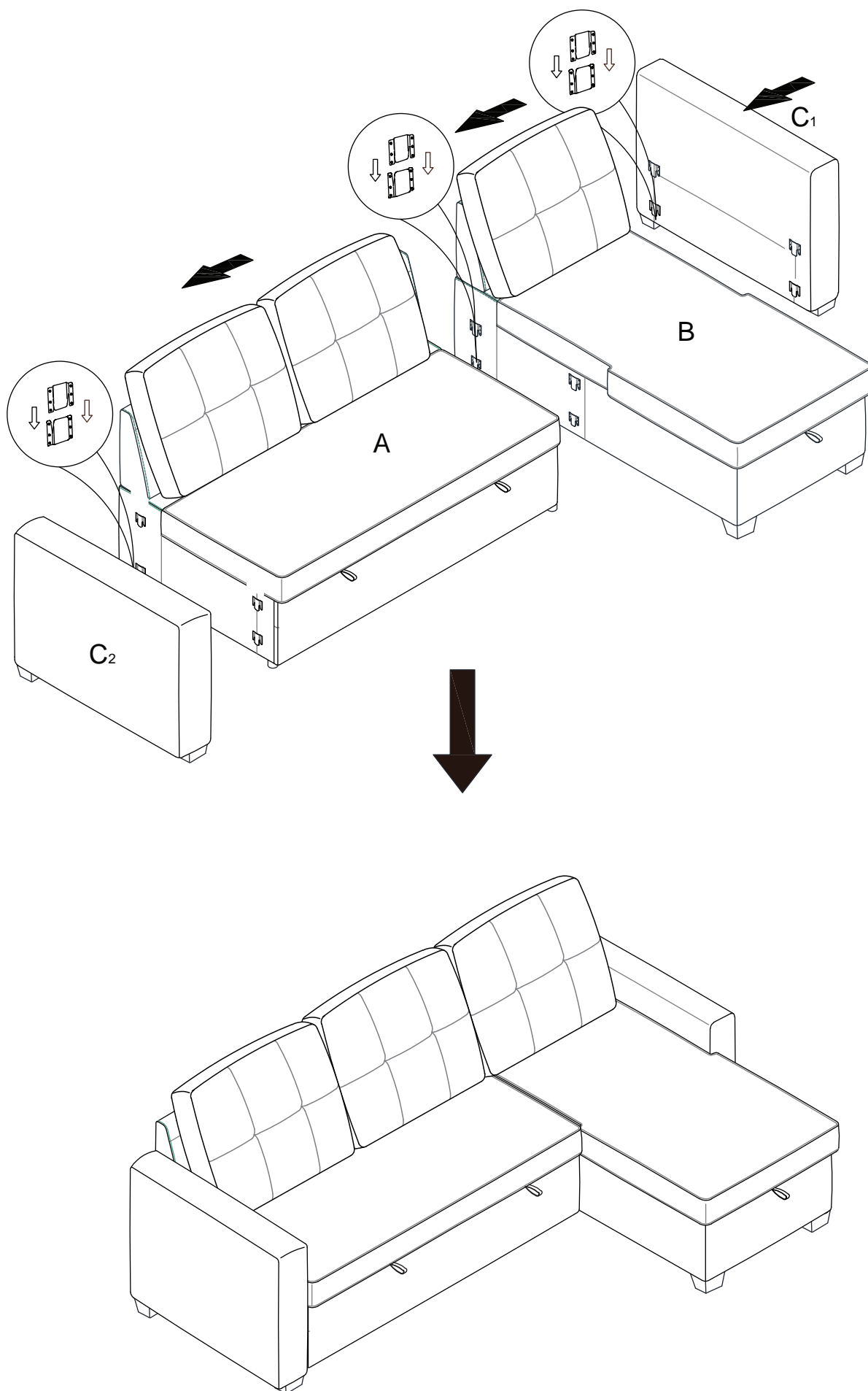
STEP3:



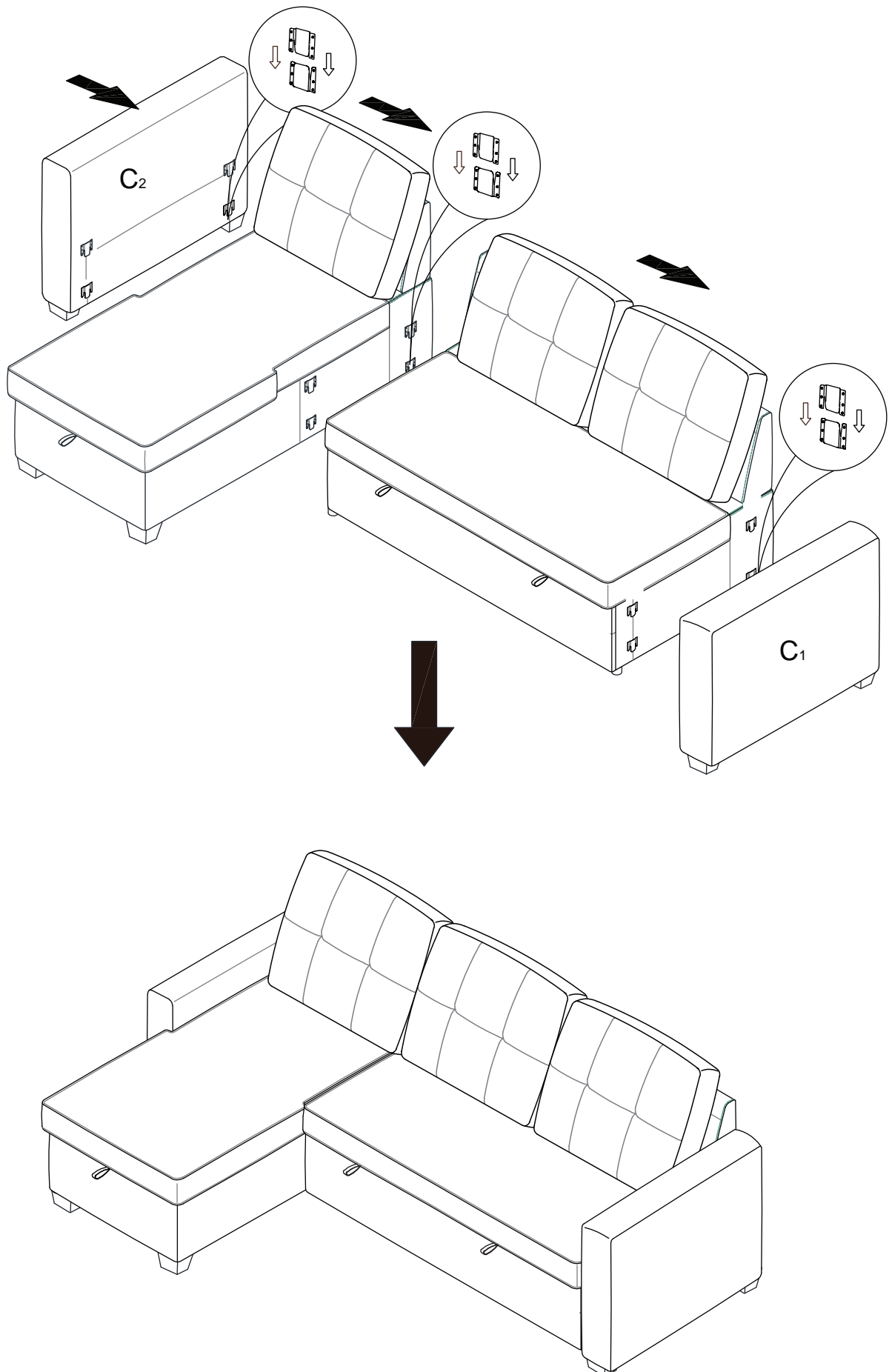
STEP4:



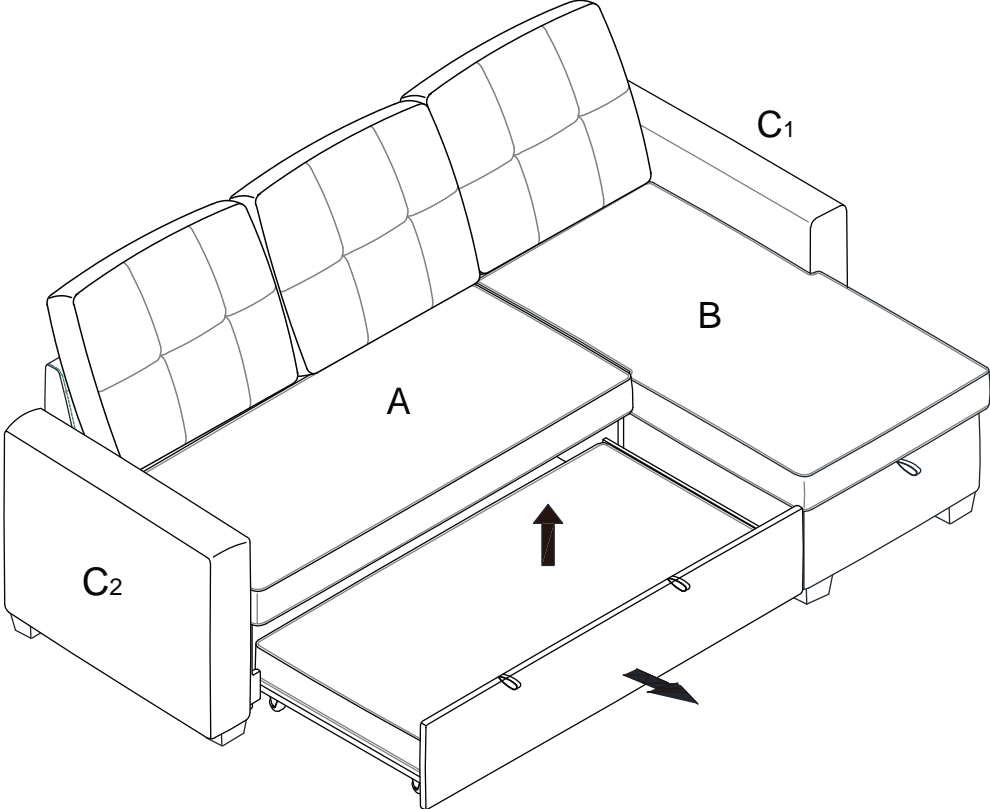
LEFT SOFA & RIGHT CHAISE



RIGHT SOFA & LEFT CHAISE



STEP5:



STEP6:

