

PACKAGE CONTENTS



AA

Mounting Plate
X 1



BB

Outlet Box Screw
X 2



CC

Wire Connector
X 3

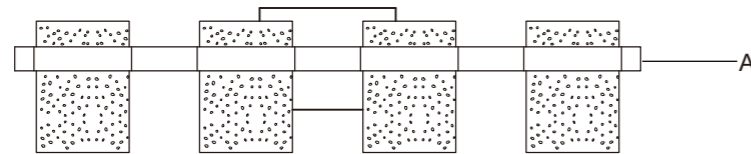


DD

Flat Head Screw
X 2

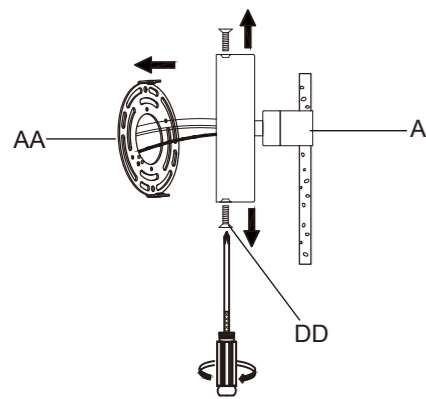
PLANNING INSTALLATION

Read all instructions before assembly. Before starting installation of this fixture or removal of a previous fixture, disconnect the power by turning off the circuit breaker or by removing the fuse at the fuse box. To avoid damaging this product, assemble it on a soft, non-abrasive surface such as carpet or cardboard.

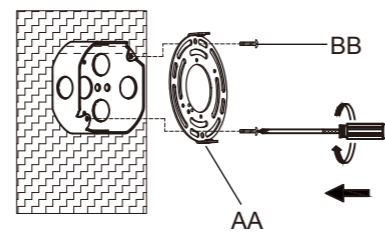


INSTALLATION

1. Unscrew flat head screws (DD) from fixture body (A). Save for later use. Separate the mounting plate (AA) from backplate of fixture body (A).



2. Attach mounting plate (AA) to outlet box (not included) using outlet box screws (BB).

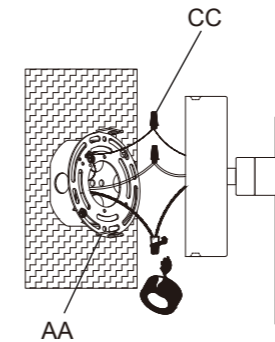


INSTALLATION(Continued)

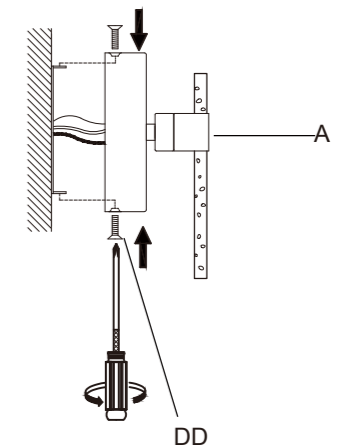
3. Strip 3/4 in. of insulation from fixture wire ends. Twist stripped ends together with pliers (not included), black to black (power), white to white (neutral). Snip ends. Wrap the ground wire from the outlet box around the green screw preassembled on the mounting plate (AA), and then connect the ground wire from the outlet box to the ground wire from the fixture.

Helpful hint: if the outlet box doesn't have a ground wire, you can attach the ground wire from the fixture directly to the green screw on the mounting plate (AA).

Attach wire connectors (CC) to ends. Tape wire connectors (CC) and wires together with electrical tape (not included).



4. Place fixture body (A) onto the mounting plate (AA), securing with previously removed flat head screws (DD).



Warranty

WHAT IS COVERED

The manufacturer warrants this lighting fixture to be free from defects in materials and workmanship for a period of one (1) year from date of purchase. This warranty applies only to the original consumer and only to products used in normal use and service. If this product is found to be defective, the manufacturer's only obligation, and your exclusive remedy, is the repair or replacement of the product at the manufacturer's discretion, provided that the product has not been damaged through misuse, abuse, accident, modifications, alterations, neglect or mishandling.

WHAT IS NOT COVERED

This warranty shall not apply to any product that is found to have been improperly installed, set-up, or used in any way not in accordance with the instructions supplied with the product. This warranty shall not apply to a failure of the product as a result of an accident, misuse, abuse, negligence, alteration, or faulty installation, or any other failure not relating to faulty material or workmanship. This warranty shall not apply to the finish on any portion of the product, such as surface and/or weathering, as this is considered normal wear and tear.

The manufacturer does not warrant and specifically disclaims any warranty, whether express or implied, of fitness for a particular purpose, other than the warranty contained herein. The manufacturer specifically disclaims any liability and shall not be liable for any consequential or incidental loss or damage, including but not limited to any labor/expense costs involved in the replacement or repair of said product.

Safety Information

WARNING: Carefully read and understand the information given in this manual before beginning the assembly and installation. Failure to do so could lead to electric shock, fire or other injuries which could be hazardous or even fatal.

WARNING: Be sure the electricity to the wires you are working on is shut off. Either remove the fuse or turn the circuit off.

NOTICE: Changes or modifications not expressly approved by the party responsible for compliance could void the user's authority to operate the equipment.