

## Getting Ready To Install

### A - What is my rough-in?

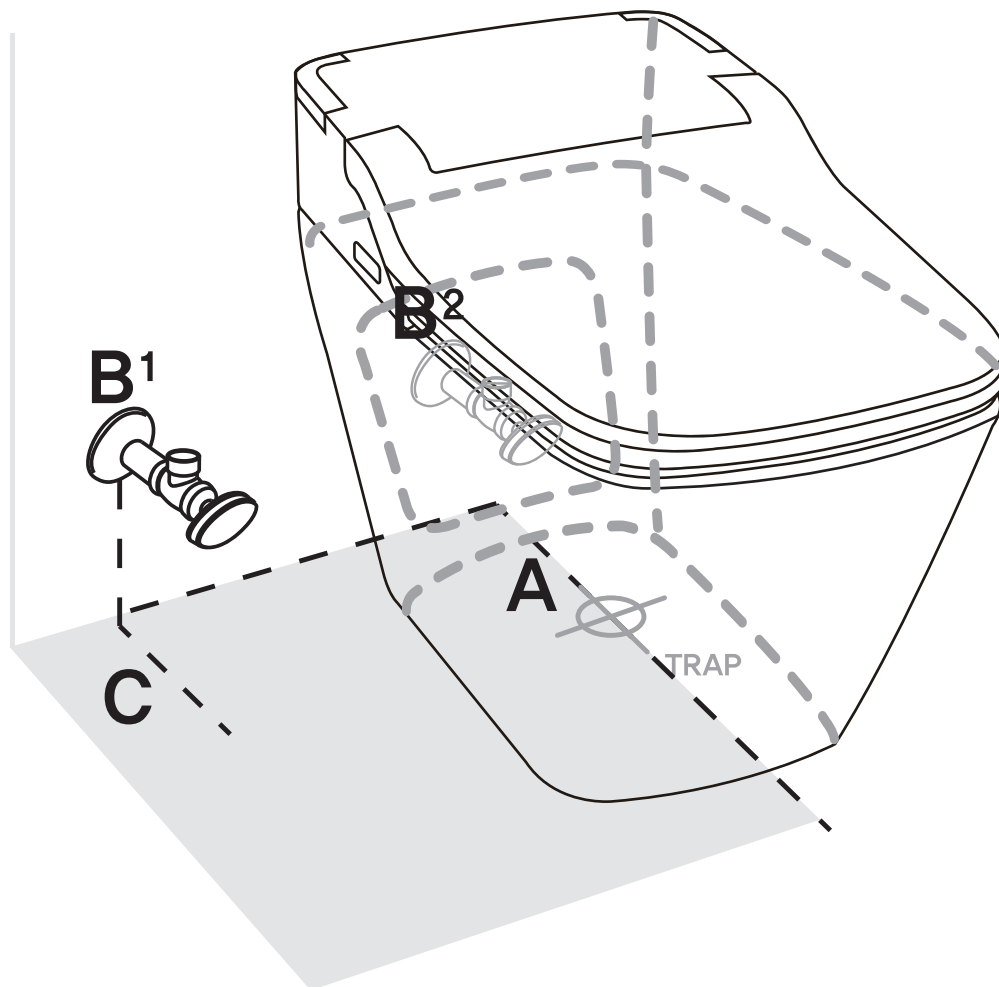
12" from the wall to the center of the toilet trap.

### B - Where is my shutoff valve?

Type B1 - The shutoff valve will be positioned outside of the toilet base if it is more than 6.25" from the center of the trap when measured along the wall.

Type B2 - The shutoff valve will be positioned inside the toilet base if it is less than 5".

C - *If the shutoff valve is positioned between B1 and B2, it must have a depth of less than 4" to allow for proper installation.*



Contact us : 888.601.0177

Thank you for purchasing VOVO product.

We are here to help and improve your satisfaction.

Please allow us the opportunity to assist you to maximize your satisfaction.

Please contact us at: TEL. +1-888-601-0177 WEB. [www.vovousa.com](http://www.vovousa.com) E-MAIL : [support@vovousa.com](mailto:support@vovousa.com)

# How to use Remote Control

< TOP >

## Flush (full, small) button

- Press the flush button to activate the full or small flushing

## Seat cover opening/closing

- Press the seat cover button to automatically open and close the toilet seat cover

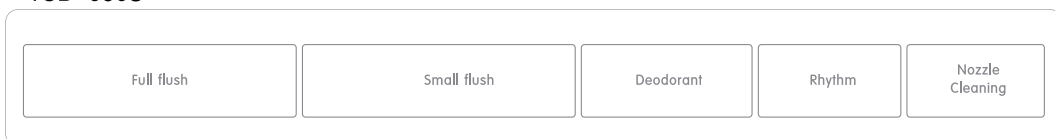
## Cover and seat closing

- Press the close button to close both the toilet seat cover and toilet seat.

- TCB-090SA



- TCB-090S



## Cover and seat opening

- When you press the cover or toilet seat buttons, both the toilet seat cover and the toilet seat are automatically open and closed.

## Rhythm ON / OFF

- If you push 'Rhythm' button during the posterior Wash or Feminine function, nozzle will move to wash wide area and provide pulsating massage effect with changing water pressure.

## Auto Deodorant ON / OFF

- Press the deodorant button to remove the odor inside the bowl.

## Nozzle cleaning

- Press the nozzle cleaning button to clean the nozzle in a moving forward position.

< Front >

## Stop

- To stop the function being used, press the STOP button.

## Posterior Wash

- Press the posterior button to activate washing water spray from the nozzle.

## Feminine Wash

- Press the feminine button to activate washing water spray from the nozzle.

## Position

- The nozzle position can be adjusted in 5 steps.

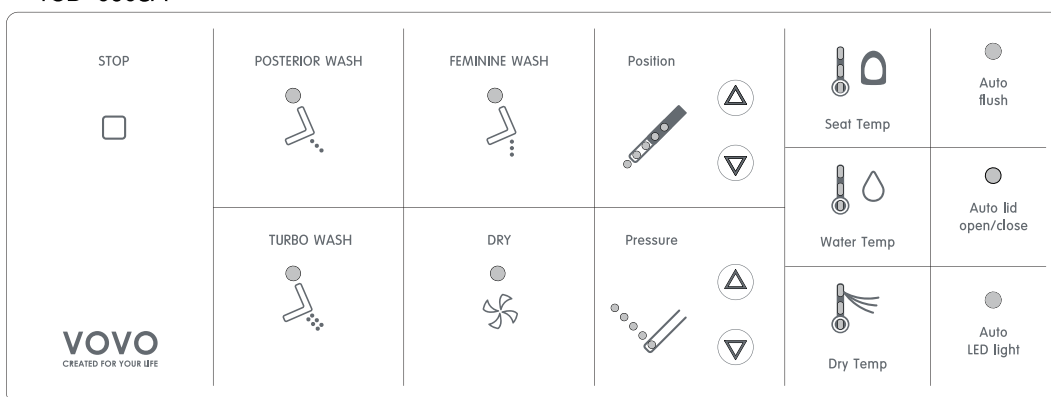
## Seat Temp

- The toilet seat temperature button can adjust the temperature of the toilet seat in three steps.

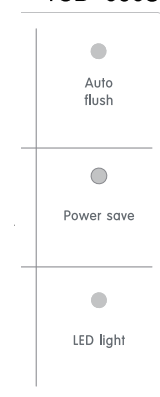
## Auto flush ON/OFF

- distinguish between urine and feces

- TCB-090SA



- TCB-090S



## Turbo Wash

- Press the Turbo wash button to activate washing water spray from the nozzle.

## Dry

- Dry off the water after using the posterior wash, Feminine wash, and Turbo wash function.

## Pressure

- It is possible to adjust the water pressure of Posterior wash, Feminine wash, and Turbo wash in five steps.

## Water Temp

- It is possible to adjust the water temperature of Posterior wash, Feminine wash, and Turbo wash in three steps.

## Dry Temp

- The temperature of the drying function can be adjusted in three steps.

## Auto lighting / lighting ON / OFF

- The light is turned on in the bottom ceramic, you can turn the lighting function ON / OFF so that you can use the bathroom in the dark without any lights.

## Auto lid open / close

- When you stand in front of toilet, the lid automatically opens, and when you move away from the toilet, the lid automatically closes.

## Power saving ON / OFF



- TCB-090SA

- You can turn the power saving function ON / OFF. Press and hold the side control power key for 3 seconds to turn the bidet off and then turn the power saving on / off with the feminine key. to save the unused time and electricity cost.