

130

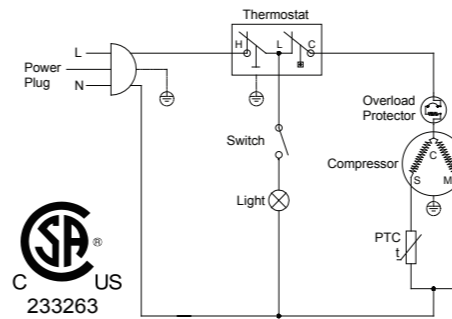
90

VISSANI™ Compact Refrigerator-Freezer

MODEL: MDFF7SS

Rated Voltage: AC115V
Rated Frequency: 60Hz
Rated Current: 1A
Lamp Power: Max 15W
Refrigerant: R600a
Amount: 1.62oz. (46g)
Total Storage Volume: 7.1cu.ft.
Foaming Agent: Cyclopentane
Type of Preventing From Electric Shock: I
Net Weight: 82.9 lbs(37.6kg)
Date Code: WWYYYY_2004167

ELECTRIC DIAGRAM



FREE STANDING
INSTALLATION ONLY

Made in China

周周年年年年-2004167是南沙工厂的固定代码