

# REMINGTON®

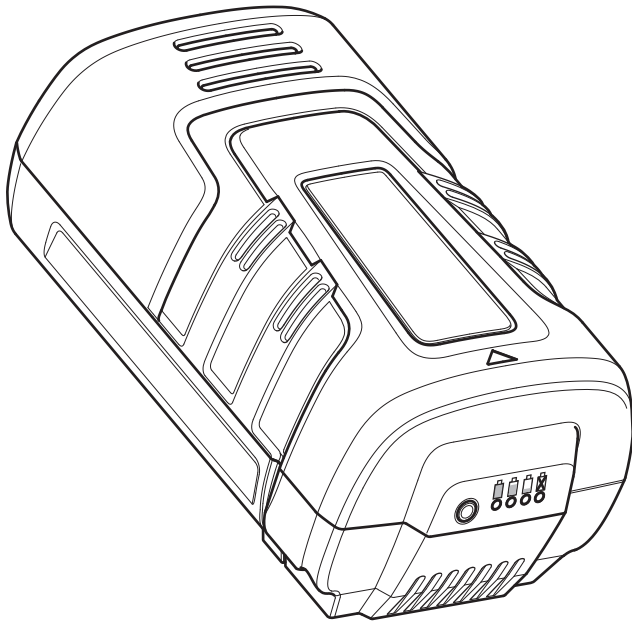
## Operator's Manual

ORIGINAL INSTRUCTIONS

### RM4130 / RM4140 / RM4150 Lithium-Ion Battery

#### TABLE OF CONTENTS

Service .....	2
Safety .....	2
Know Your Unit .....	6
Specifications .....	6
Assembly .....	7
Operation .....	7
Cleaning and Storage .....	8
Troubleshooting .....	8
Warranty .....	9



**NOTE:** This operator's manual covers multiple models. Features may vary by model. Not all features in this manual are applicable to all models. The model depicted may differ from yours.

All information, illustrations, and specifications in this manual are based on the latest product information available at the time of printing. We reserve the right to make changes at any time without notice.

The product may vary slightly from the illustrations contained in this manual.

Copyright© 2017 MTD SOUTHWEST INC, All Rights Reserved.

#### SERVICE

**DO NOT RETURN THIS UNIT TO THE RETAILER. PROOF OF PURCHASE WILL BE REQUIRED FOR WARRANTY SERVICE.**

For assistance regarding the assembly, operation or maintenance of the unit, please call **1-866-206-2707** (in the United States) or **1-877-696-5533** (in Canada). Additional information can be found at [www.remingtonpowertools.com](http://www.remingtonpowertools.com).

Warranty service is available through an authorized service center. To locate a service center in your area, please visit our website or call the number listed above. Service on this unit, both within and after the warranty period, should only be performed by an authorized and approved service center. When servicing, use only identical replacement parts.

## SAVE THESE INSTRUCTIONS

**IMPORTANT:** Read this manual thoroughly before using this product. Follow all instructions.

## SAFETY

The purpose of safety symbols is to attract your attention to possible dangers. The safety symbols, and their explanations, deserve your careful attention and understanding. The safety warnings do not by themselves eliminate any danger. The instructions or warnings they give are not substitutes for proper accident prevention measures.

SYMBOL	MEANING
--------	---------

	<b>DANGER:</b> Signals an EXTREME hazard. Failure to obey a safety <b>DANGER</b> symbol <b>WILL</b> result in serious injury or death to yourself or to others.
--	---

	<b>WARNING:</b> Signals a SERIOUS hazard. Failure to obey a safety <b>WARNING</b> symbol <b>CAN</b> result in serious injury to yourself or to others.
--	--

	<b>CAUTION:</b> Signals a MODERATE hazard. Failure to obey a safety <b>CAUTION</b> symbol <b>MAY</b> result in property damage or injury to yourself or to others.
--	--

**NOTE:** Advises you of information or instructions vital to the operation or maintenance of the equipment.



### CALIFORNIA PROPOSITION 65

**WARNING:** This product contains a chemical known to the state of California to cause cancer, birth defects or other reproductive harm.

**Read the operator's manual and follow all warnings and safety instructions. Failure to do so can result in serious injury to the operator and/or bystanders.**

## • IMPORTANT SAFETY INSTRUCTIONS •

	<b>WARNING:</b> Read all safety warnings and all instructions. Failure to follow the warnings and instructions may result in electric shock, fire and/or serious injury.
--	--

### READ ALL INSTRUCTIONS BEFORE OPERATING

1. **SAVE THESE INSTRUCTIONS** - This manual contains important safety and operating instructions.
2. Before using this product, read all instructions and cautionary markings on the battery, battery charger, and the unit(s) powered by the battery.
3. Do not charge the unit outdoors.

	<b>WARNING:</b> Only charge RM4130, RM4140 or RM4150 batteries with an RM4110 battery charger. <b>DO NOT</b> attempt to use any other battery charger to charge RM4130, RM4140 or RM4150 batteries. Other types of battery chargers may cause the batteries to burst, resulting in fire, personal injury or property damage.
--	--

### GENERAL SAFETY WARNINGS

- Read the instructions carefully. Be familiar with the controls and proper use of the unit.
- Do not operate this unit when tired, ill or under the influence of alcohol, drugs or medication.
- Never allow children to operate the unit. Teens must be trained, accompanied and supervised by an adult. Never allow adults to operate the unit without proper instruction.
- Inspect the unit before use. Do not operate the unit with loose or damaged parts.

### WHILE OPERATING

- Use the unit only in daylight or good artificial light.
- Use the right tool. Only use this tool for its intended purpose.
- Use only original equipment manufacturer (OEM) replacement parts and accessories for this unit. These are available from your authorized service dealer. Use of any other parts or accessories could lead to serious injury to the user, or damage to the unit, and void the warranty.

## SAFETY WARNINGS FOR ELECTRIC UNITS

### General Electric Safety

- Do not expose the unit to rain or wet conditions. Store the unit indoors.
- Do not handle the unit with wet hands.
- Avoid dangerous environments. Do not operate the unit in the rain, in wet conditions or on wet surfaces. Moisture is a shock hazard.
- To reduce the risk of electric shock, avoid body contact with grounded conductors, such as metal pipes or wire fences.
- Do not operate the unit in explosive atmospheres, such as in the presence of flammable liquids, gases or dust.

### Battery Safety

- Follow all charging instructions in the unit and/or battery charger *Operator's Manual*. Do not charge the battery outside the temperature range specified in these instructions. Improperly charging the battery or charging the battery outside of the specified temperature range may damage the battery and increase the risk of fire.
- Do not allow the battery to overheat. If it is warm, allow it to cool down. Only charge batteries in temperatures between 32° and 104° F (0° and 40° C).
- Do not expose the battery to fire or to temperatures over 176° F (80° C). Doing so could cause an explosion.
- Handle batteries with care. Do not short the battery with conductive materials, such as rings, bracelets, keys, etc. Shorting the battery may cause personal injury, damage to the battery or a fire.
- When the battery is not in use, keep it away from small metal objects, such as paper clips, coins, nails, etc. These items could connect one terminal to another and short the battery.
- Do not attempt to charge a cracked or damaged battery.
- Do not use a damaged or modified battery. Doing so could result in a fire, explosion or personal injury.



**WARNING:** The battery may present a risk of fire or chemical burn if mistreated. Do not disassemble, overheat or incinerate the battery. The battery may develop a small leak under extreme usage or temperature conditions.

**If battery fluid contacts skin:**

- Immediately wash the area with soap and water.
- Neutralize the battery fluid with a mild acid (lemon juice, vinegar, etc.).
- Seek immediate medical attention.

**If battery fluid gets in the eyes:**

- Immediately flush the eyes with clean water for at least 15 minutes.
- Seek immediate medical attention.

## DISPOSING OF DAMAGED OR WORN-OUT BATTERIES



**WARNING:** The following toxic and corrosive material is used in this unit's battery:  
LITHIUM-ION, a toxic material.



**WARNING:** To prevent contamination of the environment, contact your local waste disposal agency for specific instructions before disposing of damaged or worn-out lithium-ion batteries. Take batteries to a local recycling and/or disposal center, certified for lithium-ion battery disposal.



**WARNING:** Do not use broken or cracked batteries, even if there isn't leakage. Replace damaged or worn-out batteries with new batteries. **DO NOT ATTEMPT TO REPAIR BATTERIES!** Repair attempts may result in severe personal injury, due to explosion or electrical shock.

To avoid personal injury and damage to the environment:

- Do not attempt to remove or destroy any of the battery components. Do not open or mutilate the battery. If a leak develops, released electrolytes are corrosive and toxic. Do not get the solution in your eyes or on your skin, and do not swallow it.
- Do not dispose of the battery in the regular household trash.
- Do not dispose of the battery in a fire. The cell may explode.
- Do not dispose of the battery where it will become part of any waste landfill or municipal solid waste stream.
- Cover the battery terminals with heavy-duty adhesive tape.
- Dispose of the battery according to local, state and federal regulations.
- Dispose of the battery promptly.



### About Call2Recycle Battery Seals

Call2Recycle's industry steward program helps battery and product manufacturers fulfill recycling requirements in the U.S. and Canada, including compliance with extensive state, provincial and federal regulations, such as the Mercury-Containing and Rechargeable Battery Act (The Battery Act). Call2Recycle® Licensees/Industry

Stewards, participating battery and product manufacturers and marketers, purchase the rights to imprint the Call2Recycle Battery Seals on their rechargeable batteries and products. When you see the Call2Recycle Battery Seal, you can feel confident knowing that your battery or product can be safely and responsibly recycled.

### About Call2Recycle

Since 1994, Call2Recycle has diverted more than 75 million pounds of rechargeable batteries from local landfills and established a network of 30,000 recycling drop-off locations. More than 200 battery and/or product manufacturers, Call2Recycle Industry Stewards, have united to ensure that batteries are responsibly recycled when they reach their end of life and fund the program that is operated by Call2Recycle, Inc., a 501(c)4 nonprofit public service organization.

To locate the nearest recycling center, please call **1-800-822-8837**.

## OTHER SAFETY WARNINGS



- Maintain the unit with care. Follow all maintenance instructions in this manual.
- Do not perform maintenance procedures other than those described in this manual. Do not attempt to repair the unit; there are no user-serviceable parts inside. All service, other than the maintenance procedures described in this manual, should be performed by an authorized service center.
- Do not use the unit if it is not working correctly, has been dropped, damaged, left outdoors or dropped into water. Have the unit serviced by an authorized service center.
- Never remove, modify or make inoperative any safety device furnished with the unit.
- Secure the unit while transporting.
- Store the unit in a dry place, secured or at a height to prevent unauthorized use or damage. Keep the unit out of the reach of children.
- Never douse or squirt the unit with water or any other liquid. Avoid getting water in the electrical connections. Keep the unit dry, clean and free from debris. Clean the unit after each use. Refer to *Cleaning and Storage*. Do not use solvents or strong detergents.
- Keep these instructions. Refer to them often and use them to instruct other users. If you loan this unit to others, also loan them these instructions.

## SAVE THESE INSTRUCTIONS

### • SAFETY & INTERNATIONAL SYMBOLS •

This operator's manual describes safety and international symbols and pictographs that may appear on this product. Read the operator's manual for complete safety, assembly, operating and maintenance and repair information.

#### SYMBOL MEANING

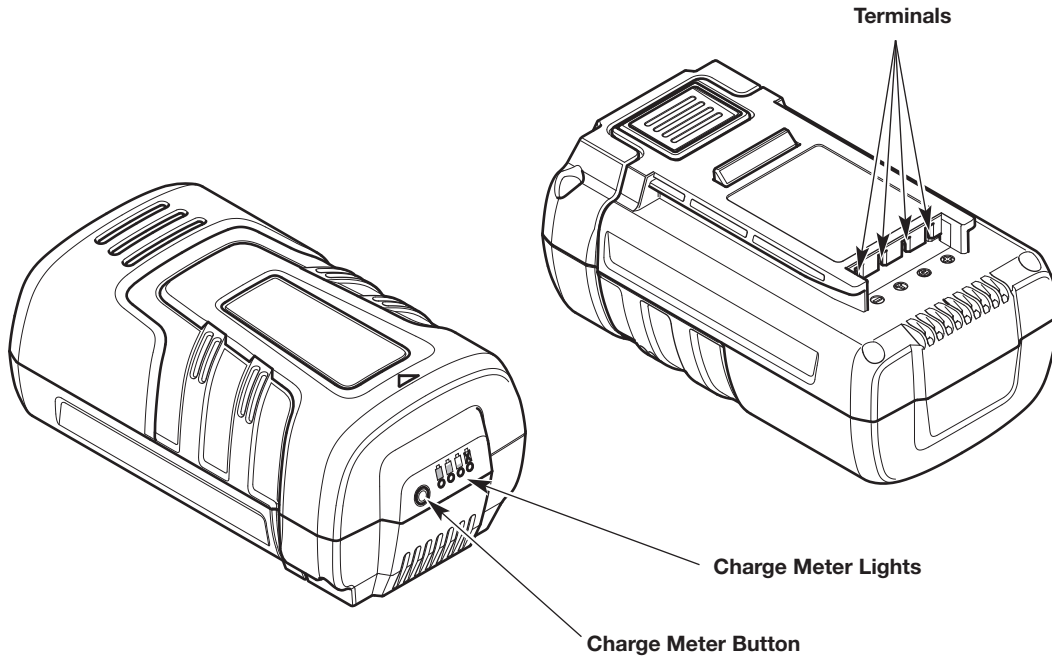
	<ul style="list-style-type: none"> <li>• <b>SAFETY ALERT SYMBOL</b> Indicates danger, warning or caution. May be used in conjunction with other symbols or pictographs.</li> </ul>
	<ul style="list-style-type: none"> <li>• <b>READ OPERATOR'S MANUAL</b> <b>WARNING:</b> Read the operator's manual(s) and follow all warnings and safety instructions. Failure to do so can result in serious injury to the operator and/or bystanders.</li> </ul>
<b>V</b>	• <b>VOLTS</b> - Voltage
<b>A</b>	• <b>AMPERES</b> - Current
<b>Hz</b>	• <b>HERTZ</b> - Frequency (cycles per second)
<b>AC</b>	• <b>ALTERNATING CURRENT</b> - Type of current
<b>=== or DC</b>	• <b>DIRECT CURRENT</b> - Type of current
<b>Ah</b>	• <b>AMPERE-HOUR</b> - Measure of charge capacity
<b>Wh</b>	• <b>WATT-HOUR</b> - Measure of energy

#### SYMBOL MEANING

	<ul style="list-style-type: none"> <li>• <b>DO NOT USE IN THE RAIN</b> <b>WARNING:</b> Avoid dangerous environments. Never operate the unit in the rain or in damp or wet conditions. Moisture is a shock hazard.</li> </ul>
	<ul style="list-style-type: none"> <li>• <b>DO NOT DISPOSE IN HOUSEHOLD TRASH</b> Recycle the battery or dispose of the battery according to local, state and federal regulations.</li> </ul>

## KNOW YOUR UNIT

NO ASSEMBLY TOOLS REQUIRED



## SPECIFICATIONS

Battery Type (Model RM4130)	40V, 2.5 Ah Lithium-Ion
Battery Type (Model RM4140)	40V, 4.0 Ah Lithium-Ion
Battery Type (Model RM4150)	40V, 5.0 Ah Lithium-Ion
Approximate Battery Weight (Model RM4130)	1.9 - 2.4 lbs. (0.9 - 1.1 kg)
Approximate Battery Weight (Model RM4140)	2.9 - 3.4 lbs. (1.3 - 1.5 kg)
Approximate Battery Weight (Model RM4150)	3.0 - 3.5 lbs. (1.4 - 1.6 kg)
Optimum Battery Charging Temperature	32° to 104° F (0° to 40° C)
Optimum Battery Storage Temperature	64° to 73° F (18° to 23° C)
Optimum Battery In-Use Temperature	32° to 113° F (0° to 45° C)

All specifications are based on the latest product information available at the time of printing. We reserve the right to make changes at any time without notice.

## ASSEMBLY

### CHARGING THE BATTERY

The battery is not shipped fully charged. For maximum run time, fully charge the battery before each use. Refer to *Charging the Battery* in the unit and/or battery charger operator's manual.

**NOTE:** Lithium-ion batteries will not develop a memory and may be charged at any time.

## OPERATION



**WARNING:** Do not expose power tools to rain or wet conditions.

### CHECKING THE BATTERY CHARGE LEVEL

1. Press the charge meter button (Fig. 1).
2. One or more of the charge meter lights should illuminate (Fig. 1). The number and color of the lights will indicate the current battery charge level:
  - 3 Green Lights = 66 - 100% Charge
  - 2 Green Lights = 33 - 66% Charge
  - 1 Green Light = 1 - 33% Charge
  - 1 Red Light = 0% Charge
3. If the red light illuminates, charge the battery before any further use.

**NOTE:** While in use, lithium-ion batteries provide power with minimal power fade. When the battery is fully discharged, it will immediately cut power to the unit and require charging.

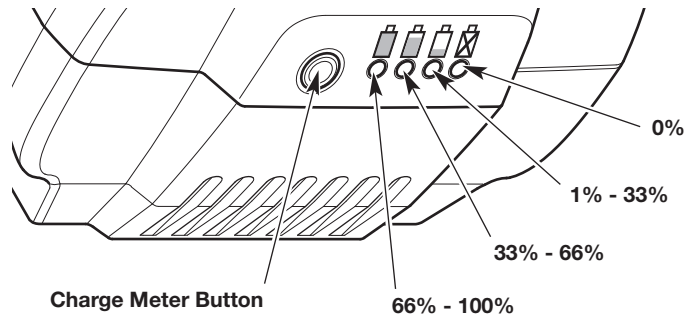


Fig. 1

## CLEANING AND STORAGE

### CLEANING



**WARNING:** To prevent serious injury, never clean the battery while it is installed in the unit or the battery charger. Always remove the battery from the unit or battery charger before cleaning the battery. Always allow the battery to cool before cleaning the battery.



**WARNING:** To prevent serious injury, do not use water to clean the battery. Do not douse the battery with water. Do not submerge the battery in water or any other liquid. Do not use strong detergents. Household cleaners that contain aromatic oils such as pine and lemon, and solvents such as kerosene, can damage plastic.

Use a small brush or clean, dry cloth to clean the outside of the battery.

### STORAGE

- Remove the battery from the unit.
- Thoroughly clean the battery and inspect it for any damage.
- Lock up the battery to prevent unauthorized use or damage.
- Store the battery indoors, in a dry, well-ventilated area.
- Store the battery in an area that is between 65 and 75° F (18 and 24° C).
- Store the battery out of the reach of children.
- If the battery is left unused for more than two months, fully charge the battery before use.

## TROUBLESHOOTING

PROBLEM	SOLUTION
<b>THE BATTERY DIES QUICKLY</b>	
The battery is not fully charged	Charge the battery completely
The battery and/or battery charger are no longer functional	Refer to the <i>Warranty</i> section for replacement information

# REMINGTON®

## REMINGTON LLC LIMITED WARRANTY

### Limited Warranty

The limited warranty set forth herein is given by Remington LLC with respect to new battery-powered, Remington-branded products (hereinafter “Product”) purchased and used in the United States and/or Canada to the Initial Purchaser (as defined herein). This Product is not intended for rental or commercial use.

### Scope Of The Limited Warranty

Remington LLC offers the following limited warranty to the Initial Purchaser for residential or otherwise non-commercial use: except for the Exclusions (defined herein), during the Warranty Period (as defined herein), this Product (exclusive of the battery and the battery charger) will be free from manufacturing defects, including workmanship and materials. The “Initial Purchaser” is the first person to purchase this new Product from an authorized Remington dealer, distributor and/or retailer of such products. This limited warranty is non-transferable. Subject to the Exclusions and except as otherwise set forth herein, the limited warranty period for this new Product purchased by the Initial Purchaser is **three (3) years** from the date of purchase, as shown on the original sales receipt for the Product (“Warranty Period”).

### Defects In Workmanship Or Materials

Subject to the Exclusions and except as otherwise set forth herein, this Product is warranted to be free from manufacturing defects in either workmanship or materials for the Warranty Period. During the Warranty Period, Remington LLC will, at its option, either repair or replace any original part that is covered by this limited warranty and is determined to be defective in workmanship or material.

### To Qualify For This Limited Warranty, This Product:

1. Must have been purchased from an authorized retailer.
2. Must have been purchased within the United States or Canada by the Initial Purchaser.
3. Must have been used for residential (non-commercial) purposes only.
4. Must have been used in a manner consistent with the normal and proper intended use for this Product.

### Who Can Perform Repairs Under This Warranty?

In order to qualify for the limited warranty as set forth herein, the repairs made under this warranty must be performed by an authorized Remington warranty service provider.

### How To Get Service Under This Limited Warranty.

To locate a Remington warranty service provider, contact your authorized Remington dealer, distributor, or retailer or contact Remington LLC at P.O. Box 361032, Cleveland, Ohio 44136-0019 or call 1-866-206-2707 or log on to our website at [www.remingtonpowertools.com](http://www.remingtonpowertools.com). In Canada, contact MTD Products Limited, 97 Kent Avenue, Kitchener, ON N2G 3R2, or call 1-877-696-5533 or log on to the above website. This limited warranty is provided by Remington LLC and is the only product warranty provided by Remington LLC for this Product. A COPY OF YOUR SALES RECEIPT IS REQUIRED FOR WARRANTY SERVICE.

### What This Limited Warranty Does Not Cover.

#### This Limited Warranty Does Not Cover The Following (the “Exclusions”):

1. Product purchased outside of the United States or Canada.
2. Damage due to lack of maintenance and/or improper maintenance as described in the operator’s manual.
3. Normal wear and tear resulting from use of the Product.

4. Normal Wear Parts (as defined herein) are warranted to be free from defects in material and workmanship for a period of thirty (30) days from the date of original purchase by the Initial Purchaser. For the purpose of this Limited Warranty, "Normal Wear Parts" include, but are not limited to items such as: bump knobs, outer spools, cutting line, inner reels, starter pulleys, starter ropes, drive belts, saw chains, guide bars, cultivator tines and/or blades.
5. Use of the Product that is not consistent with the intended use thereof, as described in the operating instructions, including, but not limited to, abuse, misuse and/or neglect of the Product or any use inconsistent with and/or non-compliant with instructions contained in the operator's manual.
6. Any Product that has been altered or modified in a manner not consistent with the original design of the Product or in a manner not approved by Remington LLC.
7. Wheel rims (when so equipped), are covered for a period of three (3) months from the date of original purchase by the Initial Purchaser for manufacturing defects.
8. The battery supplied with this Product is warranted to be free from defects in material and workmanship for a period of **three (3) years** from the date of original purchase by the Initial Purchaser.
9. The battery charger supplied with this Product is warranted to be free from defects in material and workmanship for a period of **three (3) years** from the date of original purchase by the Initial Purchaser.

**This Warranty Does Not Cover And Remington LLC Disclaims Any Responsibility For Matters Including, But Not Limited To, The Following:**

1. Loss of time or loss of use of the Product.
2. Transportation costs and other expenses incurred in connection with the transport of the Product to and from the authorized Remington warranty service provider.
3. Any loss or damage to other equipment or personal items.
4. Damages caused by improper maintenance or the use of other than the specified fuel, oil or lubricants as approved in the operator's manual.
5. Damage resulting from the installation or use of any accessory or part not approved by Remington LLC for use with the Product.

**Limitations:**

1. THERE ARE NO IMPLIED WARRANTIES, INCLUDING, BUT NOT LIMITED TO, ANY IMPLIED WARRANTY OF MERCHANTABILITY OR FITNESS FOR A PARTICULAR PURPOSE. NO WARRANTY SHALL APPLY AFTER THE APPLICABLE WARRANTY PERIOD AS SET FORTH ABOVE AS TO THE PARTS AS IDENTIFIED. NO OTHER EXPRESS WARRANTY OR GUARANTY, WHETHER WRITTEN OR ORAL, EXCEPT AS MENTIONED ABOVE, GIVEN BY ANY PERSON OR ENTITY, INCLUDING A DEALER OR RETAILER, WITH RESPECT TO ANY PRODUCT SHALL BIND REMINGTON LLC. DURING THE WARRANTY PERIOD, THE EXCLUSIVE REMEDY IS REPAIR OR REPLACEMENT OF THE DEFECTIVE PART, AS SET FORTH ABOVE. (SOME STATES DO NOT ALLOW LIMITATIONS ON HOW LONG AN IMPLIED WARRANTY LASTS, SO THE ABOVE LIMITATION MAY NOT APPLY TO YOU.)
2. THE PROVISIONS AS SET FORTH HEREIN PROVIDE THE SOLE AND EXCLUSIVE REMEDY ARISING FROM THE SALE. REMINGTON LLC SHALL NOT BE LIABLE FOR INCIDENTAL OR CONSEQUENTIAL LOSS OR DAMAGES INCLUDING, WITHOUT LIMITATION, FOR TRANSPORTATION OR FOR RELATED EXPENSES, OR FOR RENTAL EXPENSES TO TEMPORARILY REPLACE A WARRANTED PRODUCT. (SOME STATES DO NOT ALLOW THE EXCLUSION OR LIMITATION OF INCIDENTAL OR CONSEQUENTIAL DAMAGES, SO THE ABOVE EXCLUSION OR LIMITATION MAY NOT APPLY TO YOU.)
3. In no event shall recovery of any kind be greater than the amount of the purchase price of the Product sold. Alteration of the safety features of the Product shall void this limited warranty. You assume the risk and liability for loss, damage, or injury to you and your property and/or to others and their property arising out of the use or misuse or inability to use the Product.

**How State Law Relates To This Warranty.**

This limited warranty gives you specific legal rights, and you may also have other rights, which vary from state to state.



# REMINGTON®

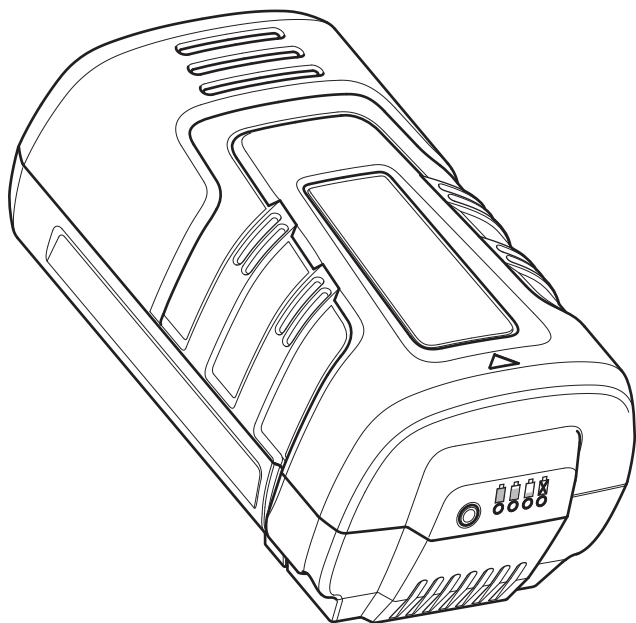
## Manuel de l'utilisateur

TRADUCTION DES INSTRUCTIONS D'ORIGINE

### RM4130 / RM4140 / RM4150 Pile Lithium-Ion

#### TABLE DES MATIÈRES

Service .....	12
Sécurité .....	12
Apprenez à connaître votre appareil .....	16
Caractéristiques .....	16
Assemblage .....	17
Utilisation .....	17
Nettoyage et rangement .....	18
Dépannage .....	18
Garantie .....	19



**REMARQUE :** Ce manuel de l'opérateur couvre plusieurs modèles. Les fonctionnalités peuvent varier selon le modèle. Les fonctionnalités figurant dans ce manuel ne sont pas toutes applicables à tous les modèles. Le modèle présenté peut différer du vôtre.

Toutes les informations, illustrations et spécifications contenues dans ce manuel tiennent compte des dernières informations techniques disponibles au moment de mettre sous presse. Nous nous réservons le droit d'y apporter des modifications à tout moment, sans préavis.

Le produit peut varier légèrement par rapport aux illustrations du présent manuel.

Copyright © 2017 MTD SOUTHWEST INC., Tous droits réservés.

#### SERVICE

**NE RAMENEZ PAS CET APPAREIL CHEZ LE DÉTAILLANT. UNE PREUVE D'ACHAT SERA EXIGÉE POUR TOUTE PRISE EN CHARGE DANS LE CADRE DE LA GARANTIE.**

Pour obtenir de l'aide sur l'assemblage, le fonctionnement ou la maintenance de l'appareil, veuillez composer le **1-866-206-2707** (aux États-Unis) ou le **1-877-696-5533** (au Canada). Des renseignements supplémentaires peuvent être trouvés sur le site [www.remingtonpowertools.com](http://www.remingtonpowertools.com).

Le service de garantie est disponible par l'intermédiaire d'un atelier de réparations agréé. Pour trouver un atelier de réparations dans votre région, veuillez consulter notre site Web ou composer le numéro indiqué ci-dessus. La réparation de cet appareil, à la fois pendant et après la période de garantie, ne doit être effectuée que par un atelier de réparation agréé approuvé. Utilisez uniquement des pièces de rechange identiques.

## CONSERVEZ CES INSTRUCTIONS

**IMPORTANT :** Lisez attentivement ce manuel avant d'utiliser ce produit. Respectez toutes les instructions.

## SÉCURITÉ

Les symboles de sécurité visent à attirer votre attention sur les dangers éventuels. Vous devez accorder une attention particulière aux symboles de sécurité afin de bien les comprendre. Les avertissements de sécurité n'éliminent pas les dangers en eux-mêmes. Les instructions ou mises en garde ne remplacent en rien les mesures de prévention appropriées contre les accidents.

### SYMBOLE SIGNIFICATION

 **DANGER** : indique un danger **EXTRÊME**.  
Le non-respect d'un symbole de **DANGER** sur le plan de la sécurité **ENTRAÎNERA** des blessures graves, voire la mort pour vous ou pour autrui.

 **AVERTISSEMENT** : indique un danger **GRAVE**.  
Le non-respect d'un symbole d'**AVERTISSEMENT** sur le plan de la sécurité **PEUT** entraîner des blessures graves pour vous ou pour autrui.

 **ATTENTION** : indique un danger **MODÉRÉ**.  
Le non-respect d'un symbole de **ATTENTION** sur le plan de la sécurité **PEUT** entraîner des dommages matériels ou des blessures pour vous ou pour autrui.

**REMARQUE** : vous donne des informations ou des consignes essentielles pour l'utilisation ou l'entretien de l'équipement.



### PROPOSITION 65 DE L'ÉTAT DE CALIFORNIE

**AVERTISSEMENT** : Ce produit contient un composé chimique reconnu dans l'état de la Californie comme produit pouvant provoquer des cancers et des malformations congénitales et affecter l'appareil reproducteur.

**Veillez lire le manuel de l'opérateur et respecter tous les avertissements et consignes de sécurité. Dans le cas contraire, l'opérateur et/ou les passants peuvent subir des blessures graves.**

## • CONSIGNES DE SÉCURITÉ IMPORTANTES •

 **AVERTISSEMENT** : Lire tous les avertissements et toutes les instructions de sécurité. Ne pas suivre les avertissements et les instructions peut entraîner une décharge électrique, un incendie et des blessures graves.

### LISEZ TOUTES LES INSTRUCTIONS AVANT L'UTILISATION

1. **CONSERVER CES INSTRUCTIONS** - Ce manuel contient des consignes de sécurité et d'utilisation importantes.
2. Avant d'utiliser ce produit, lire toutes les instructions et les avertissements concernant la batterie, le chargeur de batterie et l'appareil alimenté par batterie.
3. Ne chargez pas l'appareil à l'extérieur.

 **AVERTISSEMENT** : Utiliser uniquement un chargeur de batterie RM4110 pour charger des batteries RM4130, RM4140 ou RM4150. **NE PAS** tenter d'utiliser un autre chargeur de batterie pour charger des batteries RM4130, RM4140 ou RM4150. D'autres types de chargeurs de batterie peuvent causer l'explosion des piles et provoquer un incendie, des blessures ou dommages à la propriété.

### CONSIGNES GÉNÉRALES DE SÉCURITÉ

- Lisez soigneusement ces instructions. Familiarisez-vous avec les commandes et l'utilisation adéquate de l'appareil.
- Ne faites pas fonctionner cet appareil lorsque vous êtes fatigué, malade ou sous l'influence d'alcool, de drogues ou de médicaments.
- Ne laissez jamais les enfants utiliser l'appareil. Les adolescents doivent être formés, accompagnés et guidés par un adulte. Ne permettez jamais aux adultes d'utiliser l'appareil sans avoir lu les instructions appropriées.
- Inspectez l'appareil avant l'utilisation. Ne faites pas fonctionner l'appareil avec des pièces lâches ou endommagées.

### LORS DU FONCTIONNEMENT

- Utilisez l'appareil uniquement à la lumière du jour ou sous un bon éclairage artificiel.
- Utilisez le bon outil. N'utilisez cet outil que pour son usage prévu.
- Utilisez uniquement des pièces de rechange d'équipement d'origine et des accessoires pour cet appareil provenant des équipementiers. Ils sont disponibles auprès d'ateliers de réparations agréés. L'utilisation de toute autre pièce ou de tout autre accessoire peut entraîner des blessures sérieuses à l'opérateur ou endommager l'appareil et annuler la garantie.

## AVERTISSEMENTS DE SÉCURITÉ CONCERNANT LES UNITÉS ÉLECTRIQUES

### Sécurité électrique générale

- N'exposez pas l'appareil à la pluie ou par temps humide. Rangez l'appareil à l'intérieur.
- N'actionnez pas l'appareil avec les mains mouillées.
- Évitez les environnements dangereux. N'utilisez pas l'appareil sous la pluie, par temps humide ou sur des surfaces humides. L'humidité constitue un risque d'électrocution.
- Pour réduire le risque de décharge électrique, évitez tout contact corporel avec des conducteurs de terre, comme les tuyaux métalliques ou les grillages.
- N'utilisez pas l'appareil dans des atmosphères explosives, comme en présence de liquides inflammables, de gaz ou de poussières.

### Sécurité de la batterie

- Suivez toutes les instructions de chargement de l'unité ou du chargeur de batterie que vous trouverez dans le *Manuel de l'opérateur*. Ne chargez pas la batterie en dehors de la plage de températures précisée dans ces instructions. Une charge incorrecte de la batterie ou la charge de la batterie en dehors de la plage de température précisée peut endommager la batterie et accroître le risque d'incendie.
- Ne laissez pas la batterie surchauffer. Si elle est chaude, laissez-la refroidir. Ne chargez les batteries dans des températures comprises entre 0 °C et 40 °C (32 ° et 104 °F).
- Ne pas exposer la batterie au feu ou à des températures supérieures à 80 °C (176 °F). Cela pourrait provoquer une explosion.
- Manipulez les batteries avec soin. Ne court-circuitez pas avec des matériaux conducteurs tels que bagues, bracelets, clés, etc. Un court-circuit de la batterie peut causer des blessures, des dommages à la batterie ou un incendie.
- Lorsque la batterie n'est pas en cours d'utilisation, tenez-la éloignée des petits objets métalliques tels que les trombones, les pièces de monnaie, les clous, etc. Ces articles pourraient connecter un terminal à un autre et les court-circuiter.
- N'essayez pas de charger une batterie fissurée ou endommagée.
- N'utilisez pas de batterie modifiée ou endommagée. Cela pourrait provoquer un incendie, une explosion ou des blessures.

## ÉLIMINATION DES PILES ENDOMMAGÉES OU USÉES



**AVERTISSEMENT :** Le matériau toxique et corrosif suivant est utilisé dans la batterie de cet appareil :  
LITHIUM-ION, une substance toxique.



**AVERTISSEMENT :** Pour prévenir la contamination de l'environnement, contactez votre agence de recyclage des déchets pour obtenir des instructions particulières avant de disposer de batteries lithium-ion endommagées ou usées. Apportez les batteries dans un centre de recyclage/d'élimination local, homologué pour l'élimination de batterie lithium-ion.



**AVERTISSEMENT :** N'utilisez pas de piles cassées ou fissurées, et ce, même s'il n'y a pas de fuite. Remplacez les piles endommagées ou usées avec des piles neuves. **NE TENTEZ PAS DE RÉPARER LES BATTERIES!** En raison des risques d'explosion ou d'électrocution, les tentatives de réparation peuvent entraîner des blessures graves.

Pour éviter les blessures et les dommages à l'environnement :

- N'essayez pas d'enlever ou de détruire les composants de la batterie. N'ouvrez ni n'endommagez pas la batterie. En cas de fuite, les électrolytes libérés sont corrosifs et toxiques. Gardez la solution éloignée des yeux ou de la peau, et ne l'avalez pas.
- Ne jetez pas la batterie avec les ordures ménagères.
- Ne jetez pas la batterie dans un feu. La cellule peut exploser.
- Ne jetez pas la batterie là où elle fera partie d'un site d'enfouissement de déchets ou de flux de déchets solides urbains.
- Recouvrez les bornes de la batterie avec du ruban adhésif de qualité industrielle.
- Jetez la batterie usagée conformément aux réglementations fédérale, provinciale et locale.
- Jetez rapidement la batterie.



**AVERTISSEMENT :** La batterie peut présenter un risque d'incendie ou de brûlure chimique si elle est mal manipulée. Ne démontez, chauffez ou incinérerez pas la batterie. La batterie peut développer une petite fuite lors d'utilisation ou de conditions de température extrêmes.

#### Si du liquide à batterie entre en contact avec la peau :

- Lavez immédiatement la zone touchée avec de l'eau et du savon.
- Neutralisez le liquide à batterie avec un acide doux (jus de citron, vinaigre, etc.).
- Consultez immédiatement un médecin.

#### Si du liquide à batterie pénètre dans les yeux :

- Rincez immédiatement les yeux avec de l'eau propre, et ce, pendant au moins 15 minutes.
- Consultez immédiatement un médecin.



### À propos des seaux de batterie Call2Recycle

Le programme d'intendance de l'industrie de Call2Recycle aide les fabricants de produits et de batteries à répondre aux exigences de recyclage des États-Unis et du Canada, entre autres en ce qui a trait au respect de vastes règlements étatiques, provinciaux et fédéraux, comme la Loi des batteries rechargeable et contenant du mercure (Loi sur les batteries). Les titulaires de licences/intendants de l'industrie, fabricants et commerçants de batterie et de produit Call2Recycle<sup>MD</sup> participants achètent les droits d'imprimer les seaux de batterie Call2Recycle sur leurs piles et produits rechargeables. Quand vous voyez le sceau de batterie Call2Recycle, vous pouvez avoir confiance, en sachant que votre batterie ou produit peuvent être recyclés en toute sécurité et de façon responsable.

## À propos de Call2Recycle

Depuis 1994, Call2Recycle a détourné plus de 75 millions de livres de batteries rechargeables des sites d'enfouissement locaux et a mis en place un réseau de 30 000 points de recyclage. Plus de 200 fabricants de produits et de batteries, les intendants de l'industrie Call2Recycle, se sont unis pour faire en sorte que les piles sont recyclées de façon responsable quand elles atteignent leur fin de vie et pour financer le programme qui est exploité par Call2Recycle, Inc., un organisme de service public à but non lucratif 501(c)4.

Pour trouver le centre de recyclage le plus proche, veuillez composer le **1-800-822-8837**.

## AUTRES AVERTISSEMENTS DE SÉCURITÉ

- Maintenez l'unité avec soin. Suivez toutes les instructions d'entretien de ce manuel.
- N'effectuez pas de procédures de maintenance autres que celles décrites dans ce manuel. Ne tentez pas de réparer l'appareil, il ne contient aucune pièce réparable par l'utilisateur. Tous les services d'entretien courant, autres que les procédures de maintenance décrites dans ce manuel, doivent être effectués par un atelier de réparation agréé.

- N'utilisez pas l'appareil s'il ne fonctionne pas correctement, s'il a été échappé, laissé à l'extérieur ou s'il est tombé dans l'eau. Faire réparer l'appareil par un atelier de réparation agréé.
- Ne retirez, modifiez ou rendez jamais inopérant tout dispositif de sécurité fourni avec l'appareil.
- Fixez bien l'appareil pendant le transport.
- Rangez l'appareil dans un endroit sec, sécurisé ou à une hauteur permettant d'éviter toute utilisation ou tout dommage indésirable. Laissez l'appareil hors de la portée des enfants.
- N'arrosez jamais l'appareil avec de l'eau ou tout autre liquide. Évitez que de l'eau ne pénètre dans les connexions électriques. Gardez l'appareil sec, propre et exempt de débris. Nettoyez l'appareil après chaque utilisation. Reportez-vous à *Nettoyage et rangement*. N'utilisez pas de solvants ou de détergents puissants.
- Conservez ces instructions. Consultez-les souvent et utilisez-les pour expliquer le fonctionnement aux autres utilisateurs. Si vous prêtez cet appareil à d'autres, prêtez-leur aussi ces instructions.

# CONSERVEZ CES INSTRUCTIONS

## • SYMBOLES DE SÉCURITÉ ET SYMBOLES INTERNATIONAUX •

Ce manuel de l'utilisateur décrit les symboles de sécurité et les pictogrammes internationaux pouvant apparaître sur ce produit. Lisez le manuel de l'opérateur pour connaître l'intégralité des renseignements en matière de sécurité, d'assemblage, de fonctionnement, ainsi que de maintenance et de réparation.

### SYMBOLE SIGNIFICATION

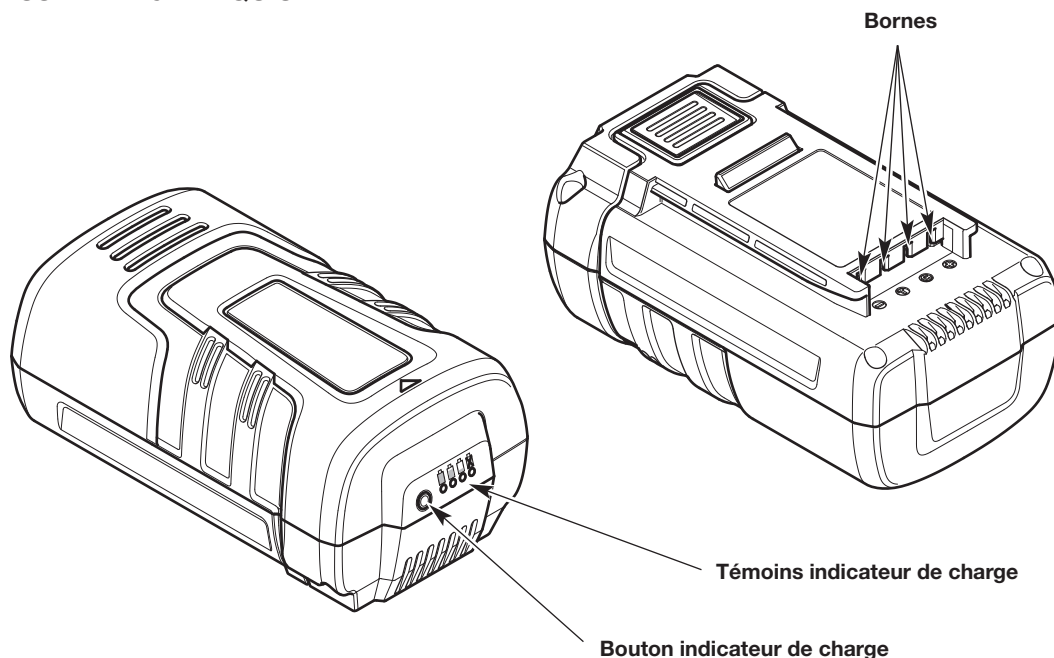
	<ul style="list-style-type: none"> <li>• <b>SYMBOLE D'AVERTISSEMENT DE SÉCURITÉ</b> Indique un danger, un avertissement ou une mise en garde. Peut être utilisé en conjonction avec d'autres symboles ou pictogrammes.</li> </ul>
	<ul style="list-style-type: none"> <li>• <b>LIRE LE MANUEL DE L'UTILISATEUR</b> <b>AVERTISSEMENT :</b> Lisez le manuel de l'utilisateur et suivez tous les avertissements et toutes les consignes de sécurité. Le non-respect de cette procédure peut entraîner des blessures graves pour l'opérateur ou les passants.</li> </ul>
<b>V</b>	• <b>VOLTS</b> - Tension
<b>A</b>	• <b>AMPÈRES</b> - Courant
<b>Hz</b>	• <b>HERTZ</b> - Fréquence (cycles par seconde)
<b>AC</b>	• <b>COURANT ALTERNATIF</b> - Type de courant
ou <b>DC</b>	• <b>COURANT DIRECT</b> - Type de courant
<b>Ah</b>	• <b>AMPÈRE/HEURE</b> - Mesure de la capacité de charge
<b>Wh</b>	• <b>WATT/HEURE</b> - Mesure de l'énergie

### SYMBOLE SIGNIFICATION

	<ul style="list-style-type: none"> <li>• <b>N'UTILISEZ PAS L'APPAREIL SOUS LA PLUIE</b> <b>AVERTISSEMENT :</b> Évitez les environnements dangereux. N'utilisez jamais l'appareil sous la pluie ou par temps humide. L'humidité constitue un risque d'électrocution.</li> </ul>
	<ul style="list-style-type: none"> <li>• <b>NE PAS JETER DANS LES ORDURES MÉNAGÈRES</b> Recycler la batterie ou la jeter conformément aux réglementations fédérale, provinciale et locale.</li> </ul>

## APPRENEZ À CONNAÎTRE VOTRE APPAREIL

### AUCUN OUTIL D'ASSEMBLAGE REQUIS



## CARACTÉRISTIQUES

Type de batterie (modèle RM4130) . . . . .	40V, 2,5 Ah Lithium-Ion
Type de batterie (modèle RM4140) . . . . .	40V, 4,0 Ah Lithium-Ion
Type de batterie (modèle RM4150) . . . . .	40V, 5,0 Ah Lithium-Ion
Poids approximatif de la batterie (modèle RM4130) . . . . .	0,9 à 1,1 kg (1,9 à 2,4 livres)
Poids approximatif de la batterie (modèle RM4140) . . . . .	1,3 à 1,5 kg (2,9 à 3,4 livres)
Poids approximatif de la batterie (modèle RM4150) . . . . .	1,4 à 1,6 kg (3,0 à 3,5 livres)
Température de charge optimale de la batterie . . . . .	0° à 40° C (32° à 104° F)
Température optimale de stockage de la batterie . . . . .	18° à 23° C (64° à 73° F)
Température optimale de la batterie en cours d'utilisation. . . . .	0° à 45° C (32° à 113° F)

Toutes les caractéristiques reposent sur les dernières informations disponibles sur le produit au moment de l'impression de ce manuel. Nous nous réservons le droit d'apporter à tout instant des modifications, sans préavis.

## ASSEMBLAGE

### CHARGE DE LA BATTERIE

La batterie n'est pas livrée entièrement chargée. Pour obtenir un temps de fonctionnement maximal, rechargez complètement la batterie avant chaque utilisation. Reportez-vous à la rubrique *Chargement de la batterie* du manuel d'opérateur de l'unité ou du chargeur de batterie.

**REMARQUE :** Les batteries lithium-ion ne développent pas de mémoire et peuvent être chargées en tout moment.

## UTILISATION



**AVERTISSEMENT :** N'exposez pas les outils électriques à la pluie ou au temps humide.

### VÉRIFICATION DU NIVEAU DE CHARGE DE LA BATTERIE

- Appuyez sur le bouton indicateur de charge de la batterie (Fig. 1).
- Au moins un des témoins de l'indicateur d'intensité de chargement doit s'allumer (Fig. 1). Le nombre et la couleur des témoins indiquent le niveau actuel de charge de la batterie :
  - 3 Témoins verts = 66 - Charge à 100 %
  - 2 Témoins verts = 33 - Charge à 66 %
  - 1 Témoins verts = charge de 1 à 33 %
  - 1 Témoin rouge = charge à 0 %
- Si le témoin rouge s'allume : chargez la batterie avant toute utilisation.

**REMARQUE :** En cours d'utilisation, les batteries lithium-ion offrent une alimentation avec un minimum de perte de puissance. Lorsque la batterie est complètement déchargée, l'alimentation de l'appareil se coupera immédiatement et une charge sera nécessaire.

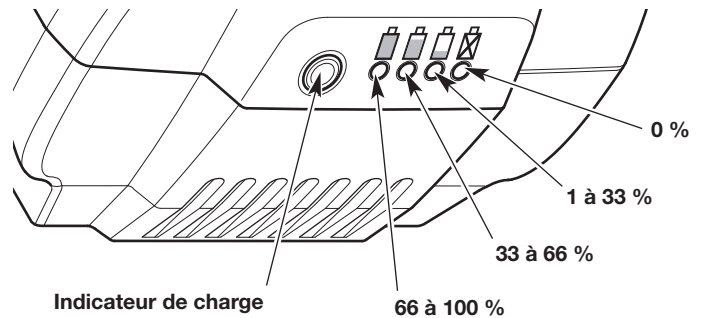


Fig. 1

## NETTOYAGE ET RANGEMENT

### NETTOYAGE



**AVERTISSEMENT :** Pour éviter de graves blessures, ne nettoyez jamais les batteries pendant qu'elles se trouvent dans l'unité ou dans le chargeur de batteries. Retirez toujours la batterie de l'unité ou du chargeur avant de la nettoyer. Laissez toujours la batterie refroidir avant de la nettoyer.



**AVERTISSEMENT :** Pour éviter les blessures graves, n'utilisez pas d'eau pour nettoyer la batterie. N'arrosez pas la batterie avec de l'eau. Ne submergez pas la batterie dans de l'eau ou dans tout autre liquide. N'utilisez pas de détergents puissants. Les nettoyants ménagers contenant des huiles aromatiques telles que le pin et le citron, ainsi que les solvants tels que le kérosène peuvent endommager le plastique.

Utilisez une petite brosse ou un chiffon propre et sec pour nettoyer l'extérieur de la batterie.

### RANGEMENT

- Enlevez la batterie de l'appareil.
- Nettoyez soigneusement la batterie et contrôlez l'absence de dommages.
- Bloquez la batterie pour éviter toute utilisation ou tout accident indésirable.
- Conservez la batterie à l'intérieur, dans un endroit sec et bien aéré.
- Rangez la batterie dans un endroit entre 18 et 24 °C (65 et 75 °F).
- Laissez la batterie hors de la portée des enfants.
- Si la batterie n'est pas utilisée pendant plus de deux mois, rechargez-la complètement avant de l'utiliser.

## DÉPANNAGE

PROBLÈME	SOLUTION
<b>LA BATTERIE SE DÉCHARGE RAPIDEMENT</b>	
La batterie n'est pas entièrement chargée	Rechargez la batterie complètement
La batterie ou le chargeur de batterie ne sont plus fonctionnels	Reportez-vous à la section <i>Garantie</i> pour connaître l'information de remplacement

# REMINGTON®

## GARANTIE LIMITÉE DE REMINGTON LLC

### Garantie Limitée

La garantie limitée énoncée dans le présent document est octroyée par Remington LLC pour les nouveaux produits de marque Remington (ci-après dénommés « produit ») achetés et utilisés aux États-Unis ou au Canada par l'acheteur initial (comme défini dans le présent document). Ce produit n'est pas destiné à la location ou à une utilisation commerciale.

### Portée de cette garantie limitée

Remington LLC offre à l'acheteur initial la garantie limitée suivante pour une utilisation résidentielle et non commerciale : à l'exception des exclusions (définies dans la présente), pendant la période de garantie (comme défini dans le présent document), ce produit (à l'exclusion de la batterie et du chargeur de batterie) sera exempt de défauts de fabrication, y compris de défauts de fabrication et de matériaux. L'« acheteur initial » est la première personne qui achète ce nouveau produit auprès d'un revendeur, distributeur ou détaillant agréé Remington de tels produits. Cette garantie limitée est non transférable. Sous réserve des exclusions et sauf indication contraire dans le présent document, la période de garantie limitée de ce nouveau produit acheté par l'acheteur initial est de **trois (3) ans** à compter de la date d'achat indiquée sur le reçu de vente original pour le produit (« Période de garantie »).

### Défauts de fabrication ou de matériaux

Sous réserve des exclusions et sauf indication contraire dans le présent document, nous certifions que ce produit est exempt de défectuosité (de fabrication ou de matériaux) pour la période de garantie. Au cours de la période de garantie, Remington LLC, à son gré, réparera ou remplacera toute pièce d'origine couverte par cette garantie limitée et déterminée comme comportant un défaut de fabrication ou de matériel.

### Pour être admissible à cette garantie limitée, ce produit :

1. Doit avoir été acheté chez un détaillant autorisé.
2. Doit avoir été acheté par l'acheteur initial aux États-Unis ou au Canada.
3. Doit avoir été utilisé à des fins résidentielles (et non commerciales) seulement.
4. Doit avoir été utilisé d'une manière compatible avec l'utilisation prévue normale et adéquate pour ce produit.

### Qui peut effectuer des réparations dans le cadre de cette garantie?

Afin de se qualifier pour la garantie limitée selon ce document, les réparations effectuées dans le cadre de cette garantie doivent être effectuées par un fournisseur de services Remington agréé.

### Comment obtenir un service en vertu de cette garantie limitée.

Pour trouver un fournisseur de service de garantie Remington, communiquez avec votre revendeur, distributeur ou détaillant autorisé de Remington ou communiquez avec Remington LLC chez P.O. Box 361032, Cleveland, Ohio 44136-0019, composez le 1 866 206-2707 ou accédez à notre site Web à l'adresse [www.remingtonpowertools.com](http://www.remingtonpowertools.com). Au Canada, Communiquez avec MTD Products Limited, 97 Kent Avenue, Kitchener, ON N2G 3R2, ou téléphonez au 1 877 696-5533 ou consultez le site Web référencé ci-dessus Cette garantie limitée du produit est fournie par Remington LLC et il s'agit de la seule garantie de produit fourni par Remington LLC pour ce produit. UNE COPIE DE VOTRE FACTURE EST REQUISE POUR OBTENIR UN SERVICE DE GARANTIE.

### Ce que cette garantie limitée ne couvre pas.

#### Cette garantie limitée ne couvre pas ce qui suit (les « Exclusions »):

1. Produit acheté à l'extérieur des États-Unis ou du Canada.
2. Les dommages causés par un manque d'entretien ou un entretien inadéquat comme décrit dans le manuel de l'opérateur.

3. L'usure normale résultant de l'utilisation de ce produit.
4. Les pièces à usure normale (comme définies dans la présente) sont garanties contre tous vices de matière et de fabrication pour une période de trente (30) jours à partir de la date d'achat initiale du produit ou de la location par l'acheteur initial. Aux fins de la présente garantie limitée, les « pièces à usure normale » comprennent, sans toutefois en exclure d'autres, des articles comme : boutons de butée, bobines extérieures, ligne de coupe, bobines intérieures, poulies de démarrage, cordes de démarrage, courroies de transmission, chaînes de scies, barres de guidage, dents et / ou lames de cultivateur.
5. L'utilisation d'un produit qui n'est pas compatible avec l'utilisation prévue d'un tel produit comme décrit dans les instructions d'utilisation, y compris et sans en exclure d'autres, l'abus, le mauvais usage ou le manque d'attention accordé au produit ou toute utilisation incompatible ou non conforme des instructions comprises dans le manuel de l'opérateur.
6. Tout produit qui a été altéré ou modifié d'une manière non conforme à la conception d'origine du produit ou d'une manière non approuvée par Remington LLC.
7. Les jantes (lorsqu'elles sont installées) sont couvertes pendant une période de trois (3) mois à compter de la date d'achat initiale par l'acheteur initial contre les défauts de fabrication.
8. La batterie fournie avec ce produit est garantie être exempte de défauts de matériaux et de fabrication pendant une période de **trois (3) ans** à compter de la date d'achat initiale par l'Acheteur initial.
9. Le chargeur de batterie fourni avec ce produit est garanti être exempt de défauts de matériaux et de fabrication pendant une période de **trois (3) ans** à compter de la date d'achat initiale par l'Acheteur initial.

**Cette garantie ne couvre pas et Remington LLC déclare toute responsabilité en ce qui concerne les questions, y compris, mais pas limité, les éléments suivants :**

1. La perte de temps ou perte d'utilisation du produit.
2. Les frais de transport et autres frais liés au transport du produit en provenance et à destination du fournisseur de service de garantie agréé Remington.
3. La perte ou l'endommagement à d'autres équipements ou objets personnels.
4. Les dommages causés par un mauvais entretien ou l'utilisation de carburant, d'huile ou de lubrifiants autres que ceux approuvés et précisés dans le manuel de l'opérateur.
5. Les dommages résultant de l'installation ou l'usage d'une pièce ou d'un accessoire non approuvé par Remington LLC pour une utilisation avec le produit.

**Limites :**

1. IL N'Y A AUCUNE GARANTIE IMPLICITE Y COMPRIS, SANS TOUTEFOIS S'Y LIMITER, TOUTE GARANTIE IMPLICITE DE QUALITÉ MARCHANDE OU DE CONVENANCE PRÉCISE POUR UN OBJECTIF PARTICULIER. IL N'Y A AUCUNE GARANTIE IMPLICITE Y COMPRIS, SANS TOUTEFOIS S'Y LIMITER, TOUTE GARANTIE IMPLICITE DE QUALITÉ MARCHANDE OU DE CONVENANCE PRÉCISE POUR UN OBJECTIF PARTICULIER. AUCUNE GARANTIE NE S'APPLIQUE APRÈS LES DÉLAIS DE LA GARANTIE APPLICABLE ÉCRITE CI-DESSUS QUANT AUX PIÈCES IDENTIFIÉES. AUCUNE AUTRE GARANTIE EXPRESSE, ÉCRITE OU VERBALE, À L'EXCEPTION DE LA GARANTIE STIPULÉE CI-DESSUS, OFFERTE PAR UN TIERS OU UN AUTRE ORGANISME NOTAMMENT UN CONCESSIONNAIRE OU UN DÉTAILLANT, CONCERNANT N'IMPORTE QUEL PRODUIT, NE SAURAIT REMINGTON LLC. AU COURS DE LA PÉRIODE DE GARANTIE, LE RECOURS UNIQUE OFFERT EST LA RÉPARATION OU LE REMPLACEMENT DU PRODUIT COMME IL EST STIPULÉ CI-DESSUS. (CERTAINS ÉTATS ET CERTAINES PROVINCES NE PERMETTENT PAS LES LIMITATIONS SUR LA DURÉE D'UNE GARANTIE IMPLICITE, DE SORTE QUE LA LIMITATION CI-DESSUS PEUT NE PAS S'APPLIQUER À VOUS.)
2. LES CONDITIONS STIPULÉES DANS LA PRÉSENTE GARANTIE CONSTITUENT LE RECOURS UNIQUE ET EXCLUSIF DÉCOULANT DE LA VENTE DE SES PRODUITS. REMINGTON LLC NE PEUT ÊTRE TENUE RESPONSABLE POUR TOUTE PERTE OU TOUT DOMMAGE ACCIDENTEL OU INDIRECT Y COMPRIS, SANS TOUTEFOIS S'Y LIMITER, AUX DÉPENSES AFFÉRENTES AUX SERVICES DE TRANSPORT OU AUX FRAIS CONNEXES, DE LOCATION POUR REMPLACER TEMPORAIREMENT UN PRODUIT GARANTI. (CERTAINS ÉTATS ET CERTAINES PROVINCES N'AUTORISENT PAS L'EXCLUSION OU LA LIMITATION DES DOMMAGES ACCIDENTELS OU INDIRECTS. IL SE POURRAIT ALORS QUE LES EXCLUSIONS OU LIMITATIONS STIPULÉES NE S'APPLIQUENT PAS DANS VOTRE CAS.)
3. En aucune éventualité, la valeur du recouvrement ne saurait être supérieure à celle du prix d'achat du produit vendu. En aucune éventualité, la valeur du recouvrement ne saurait être supérieure à celle du prix d'achat du produit vendu. Vous assumez les risques et la responsabilité des pertes, des dommages ou des préjudices subis par vous ou vos biens votre propriété ou par d'autres personnes et de leurs biens, qui découlent d'une utilisation inappropriée ou d'une incapacité d'utiliser le produit.

**Lois provinciales et étatiques en lien avec la présente garantie.**

La présente garantie limitée vous donne des droits spécifiques. Il se pourrait que vous ayez d'autres droits qui varient d'un état à l'autre.



# REMINGTON®

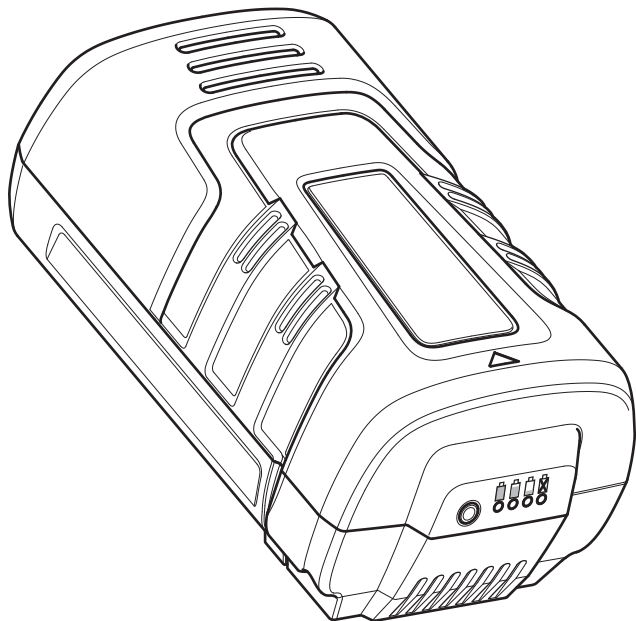
## Manual del Operador

TRADUCCIÓN DE LAS INSTRUCCIONES ORIGINALES

### RM4130 / RM4140 / RM4150 Batería de ion de litio

#### ÍNDICE

Reparación y mantenimiento .....	22
Seguridad .....	22
Conozca su unidad .....	26
Especificaciones .....	26
Montaje .....	27
Funcionamiento .....	27
Limpieza y almacenamiento .....	28
Solución de Problemas .....	28
Garantía .....	29



**NOTA:** Este manual del operador cubre múltiples modelos. Las características pueden variar según los modelos. No todas las características de este manual son aplicables a todos los modelos. El modelo descrito puede diferir del suyo.

Toda la información, las ilustraciones y las especificaciones contenidas en este manual se basan en la información más reciente disponible en el momento de impresión del manual. Nos reservamos el derecho de hacer cambios en cualquier momento sin aviso previo. El producto puede variar ligeramente de las ilustraciones contenidas en este manual.

Copyright © 2017 MTD SOUTHWEST INC. Todos los derechos reservados.

#### SERVICIO

**NO DEVUELVA ESTA UNIDAD AL VENDEDOR. PARA SOLICITAR SERVICIO POR GARANTÍA, DEBERÁ PRESENTAR EL COMPROBANTE DE COMPRA.**

Para obtener ayuda en relación con el montaje, el funcionamiento o el mantenimiento de la unidad, llame al **1-866-206-2707** (en los Estados Unidos) o al **1-877-696-5533** (en Canadá). Se puede encontrar información adicional en [www.remingtonpowertools.com](http://www.remingtonpowertools.com).

El servicio de la garantía está disponible a través de su distribuidor local de servicio autorizado. Para ubicar un Centro de servicio de reparaciones en su zona, visite nuestro sitio web o llame al número que aparece arriba. La reparación y el mantenimiento de la presente unidad, tanto dentro del período de la garantía como después de él, sólo deben realizarse en un centro de servicio autorizado. Cuando vaya a dar mantenimiento al equipo, utilice solo piezas de repuesto idénticas.


## CONSERVE ESTAS INSTRUCCIONES


**IMPORTANTE:** Lea este manual por completo antes de utilizar este producto. Siga todas las instrucciones.


## SEGURIDAD

El objetivo de los símbolos de seguridad es dirigir su atención hacia posibles peligros. Los símbolos de seguridad, así como sus explicaciones, necesitan su atención y comprensión completas. Las advertencias de seguridad no eliminan por sí mismas ningún peligro. Las instrucciones o advertencias que contienen no reemplazan a las medidas adecuadas de prevención de accidentes.

### SÍMBOLOS SIGNIFICADO

 **PELIGRO:** Indica un peligro EXTREMO.  
Si no se respeta un símbolo de seguridad de **PELIGRO** usted mismo u otras personas sufrirán lesiones graves o la muerte.

 **ADVERTENCIA:** Indica un peligro GRAVE.  
Si no se respeta un símbolo de **ADVERTENCIA** de seguridad usted mismo u otras personas **PUEDEN** sufrir lesiones graves.

 **PRECAUCIÓN:** Indica un peligro de GRAVEDAD MODERADA.  
Si no se respeta un símbolo de seguridad de **PRECAUCIÓN** usted mismo u otras personas **PUEDEN** sufrir lesiones o se **PUEDEN** producir daños materiales.

**NOTA:** Proporciona información o instrucciones de vital importancia para el funcionamiento o el mantenimiento del equipo.



### PROPOSICIÓN 65 DEL ESTADO DE CALIFORNIA

**ADVERTENCIA:** Este producto contiene una sustancia química que según el Estado de California puede producir cáncer, defectos de nacimiento u otros problemas reproductivos.

**Lea el manual del operador y siga todas las advertencias e instrucciones de seguridad. Si no lo hace, el operador y/o los observadores pueden sufrir lesiones graves.**

## • INSTRUCCIONES DE SEGURIDAD IMPORTANTES •

 **ADVERTENCIA:** Lea todas las advertencias de seguridad y todas las instrucciones. Si no se siguen las advertencias y las instrucciones se pueden producir descargas eléctricas, un incendio y/o lesiones graves.



**ADVERTENCIA:** Cargue únicamente baterías RM4130, RM4140 o RM4150 con un cargador de baterías RM4110. **NO** intente utilizar ningún otro cargador de baterías para cargar las baterías RM4130, RM4140 o RM4150. Otros tipos de cargadores de baterías pueden hacer que las baterías exploten ocasionando un incendio, lesiones personales o daños materiales.

### LEA TODAS LAS INSTRUCCIONES ANTES DE USAR LA UNIDAD

1. **GUARDE ESTAS INSTRUCCIONES** - Este manual contiene instrucciones importantes de seguridad y funcionamiento.
2. Antes de usar este producto, lea todas las instrucciones y las marcas de precaución que figuran en la batería, el cargador de baterías y las unidades que se accionan con la batería.
3. No cargue la unidad en el exterior.

### ADVERTENCIAS GENERALES DE SEGURIDAD

- Lea las instrucciones con atención. Debe familiarizarse con los controles y con el uso apropiado de la unidad.
- No opere esta unidad si está cansado, enfermo o bajo la influencia de alcohol, drogas o medicamentos.
- Nunca permita a los niños operar la unidad. Los adolescentes deben ser entrenados, acompañados y supervisados por un adulto. Nunca permita a los adultos operar la unidad sin las instrucciones adecuadas.
- Inspeccione la unidad antes de usarla. No utilice la unidad si hay piezas sueltas o dañadas.

## DURANTE LA OPERACIÓN

- Use la unidad solamente con luz de día o con una buena luz artificial.
- Utilice la herramienta apropiada. Use esta herramienta sólo para el propósito para el que fue diseñada.
- Use sólo repuestos y accesorios del fabricante del equipo original (OEM) para esta unidad. Los puede adquirir al distribuidor de servicio autorizado. Si usa cualquier otra pieza o accesorio, el usuario podría lesionarse gravemente o la unidad podría dañarse y se anularía la garantía.

## ADVERTENCIAS DE SEGURIDAD PARA LAS UNIDADES ELÉCTRICAS

### Seguridad eléctrica en general

- No exponga la unidad a la lluvia o a condiciones húmedas. Guárdela en un lugar cerrado.
- No utilice la unidad con las manos mojadas.
- Evite los ambientes peligrosos. No utilice la unidad bajo la lluvia, en condiciones húmedas ni en superficies mojadas. La humedad representa un peligro de descarga eléctrica.
- Para reducir el riesgo de descarga eléctrica, evite el contacto del cuerpo con elementos conductores con puesta a tierra, por ejemplo, caños metálicos o cercos de alambre.
- No utilice la unidad en atmósferas explosivas, por ejemplo, en presencia de líquidos, gases o polvo inflamables.

### Seguridad de las baterías

- Siga todas las instrucciones de carga que figuran en el *Manual del Operador* que viene con la unidad y/o el cargador de batería. No cargue la batería fuera del rango de temperatura indicado en estas instrucciones. Si la batería se carga incorrectamente o se la carga fuera del rango de temperatura indicado podría dañarse y aumentar el riesgo de incendio.
- No deje que la batería se sobrecaliente. Si se calienta, deje que la misma se enfríe. Cargue las baterías únicamente en temperaturas que se encuentren entre 32° y 104°F (0° y 40°C).
- No exponga la batería al fuego ni a temperaturas superiores a 176° F (80° C). Si lo hiciera, se podría producir una explosión.
- Manipule las baterías con cuidado. No cortocircuite la batería con materiales conductores, por ejemplo, anillos, pulseras, llaves, etc. Si se cortocircuita la batería se pueden producir lesiones personales, daños a la batería o un incendio.
- Cuando la batería no se utiliza, mantenga la misma lejos de objetos metálicos pequeños, por ejemplo, ganchos de papel, monedas, clavos, etc. Estos elementos pueden conectar un borne con otro y cortocircuitar la batería.
- No intente cargar una batería que esté rota o dañada.
- No utilice baterías que estén dañadas o hayan sido modificadas. Si lo hiciera, se podría producir un incendio, una explosión o lesiones personales.



**ADVERTENCIA:** La batería puede generar riesgo de incendio o quemadura química si no se manipula la misma adecuadamente. No desarme, sobrecaliente ni incinere la batería. La batería puede generar una pequeña fuga en condiciones extremas de uso o temperatura.

**Si el fluido de la batería entra en contacto con la piel:**

- Lave inmediatamente el área con jabón y agua.
- Neutralice el fluido de la batería con un ácido suave (jugo de limón, vinagre, etc.).
- Consulte con un médico de inmediato.

**Si el fluido de la batería entra en contacto con los ojos:**

- Enjuague inmediatamente los ojos con agua limpia durante 15 minutos por lo menos.
- Consulte con un médico de inmediato.

## ELIMINACIÓN DE LAS BATERÍAS DAÑADAS O AGOTADAS



**ADVERTENCIA:** En la batería de esta unidad se utiliza el siguiente material tóxico y corrosivo: ION DE LITIO, un material tóxico.



**ADVERTENCIA:** Para evitar la contaminación ambiental, póngase en contacto con su agencia local de eliminación de residuos para solicitar instrucciones antes de eliminar baterías de ion de litio dañadas o agotadas. Lleve las baterías a un centro local de reciclaje y/o eliminación que cuente con certificación para la eliminación de baterías de ion de litio.



**ADVERTENCIA:** No use baterías rotas o con grietas, aun cuando no tengan pérdidas. Cambie las baterías dañadas o agotadas por baterías nuevas. ¡NO INTENTE REPARAR LAS BATERÍAS! Los intentos de reparación pueden producir lesiones personales graves debido a explosión o descarga eléctrica.

Para evitar lesiones personales y daños ambientales:

- No intente retirar ni destruir ningún componente de la batería. No abra ni mute la batería. Si se produce una pérdida, los electrolitos emitidos son corrosivos y tóxicos. No deje que la solución entre en contacto con sus ojos o su piel y no trague solución.
- No arroje la batería junto con la basura domiciliar normal.
- No arroje la batería al fuego. El elemento de la batería puede explotar.
- No elimine la batería en un lugar donde pase a ser parte de algún relleno sanitario o de los desechos sólidos municipales.
- Cubra los bornes de la batería con cinta adhesiva reforzada.
- Deseche la batería de acuerdo con las regulaciones federales, estatales y locales.
- Elimine la batería sin demora.



### Acerca de los sellos de batería Call2Recycle

El programa de auxiliares de la industria Call2Recycle ayuda a los fabricantes de baterías y productos a cumplir los requisitos de reciclaje en los Estados Unidos y Canadá, incluido el cumplimiento de amplias regulaciones estatales, provinciales y federales, por ejemplo, la Ley de Baterías Recargables y con Contenido de

Mercurio (la Ley de las Baterías). Los licenciarios/auxiliares de la industria y los fabricantes y comerciantes de productos y baterías que participan en el programa Call2Recycle® adquieren los derechos de imprimir los sellos de batería Call2Recycle en sus baterías y productos recargables. Cuando usted ve el sello de batería Call2Recycle, puede estar seguro de que su batería o su producto se pueden reciclar en forma segura y responsable.

### Acerca de Call2Recycle

Desde 1994 Call2Recycle ha desviado más de 75 millones de libras de baterías recargables de los rellenos sanitarios locales y ha establecido una red de 30.000 lugares donde dejar unidades para reciclaje. Más de 200 fabricantes de productos y/o baterías, auxiliares de la industria Call2Recycle, se han reunido para asegurarse de que se realice el reciclaje responsable de las baterías cuando llegan al fin de su vida útil y solventan el programa que funciona a través de Call2Recycle, Inc., una organización de servicios públicos sin fines de lucro 501(c)4.

Para ubicar el centro de reciclaje más cercano, por favor, comuníquese al **1-800-822-8837**.

### OTRAS ADVERTENCIAS DE SEGURIDAD

- El mantenimiento de la unidad debe ser minucioso. Siga todas las instrucciones de mantenimiento de este manual.
- No realice ningún procedimiento de mantenimiento que no figure en este manual. No intente reparar la unidad; no tiene piezas internas que puedan ser cambiadas por el usuario. Todas las tareas de reparación, con excepción de los procedimientos de mantenimiento que se describen en este manual, deben ser realizados por un centro de servicio autorizado.
- No utilice la unidad si no funciona correctamente, si se ha caído, dañado, se ha dejado a la intemperie o caído en el agua. Haga efectuar el mantenimiento de la unidad en un centro de servicio autorizado.
- Nunca extraiga, modifique o deje inoperativo ningún dispositivo de seguridad que venga con la unidad.
- Fije la unidad para el transporte.
- Almacene la unidad en un lugar seco, asegurada o a una altura que evite que se la use sin autorización o se la dañe. Mantenga la unidad lejos del alcance de los niños.
- Nunca rocíe ni arroje chorros de agua ni de ningún otro líquido a la unidad. Evite el ingreso de agua en las conexiones eléctricas. Mantenga la unidad seca, limpia y sin residuos. Limpie la unidad después del uso. Consulte *Limpieza y almacenamiento*. No utilice solventes o detergentes fuertes.
- Guarde estas instrucciones. Consúltelas con frecuencia y úselas para capacitar a otros usuarios. Si le presta esta unidad a otras personas, también debe prestarles estas instrucciones.

# GUARDE ESTAS INSTRUCCIONES

### • SÍMBOLOS DE SEGURIDAD E INTERNACIONALES •

Este manual del operador describe símbolos de seguridad e internacionales, así como pictogramas, que pueden aparecer en este producto. Lea el manual del operador para obtener información completa sobre seguridad, montaje, funcionamiento, mantenimiento y reparaciones.

#### SÍMBOLO SIGNIFICADO

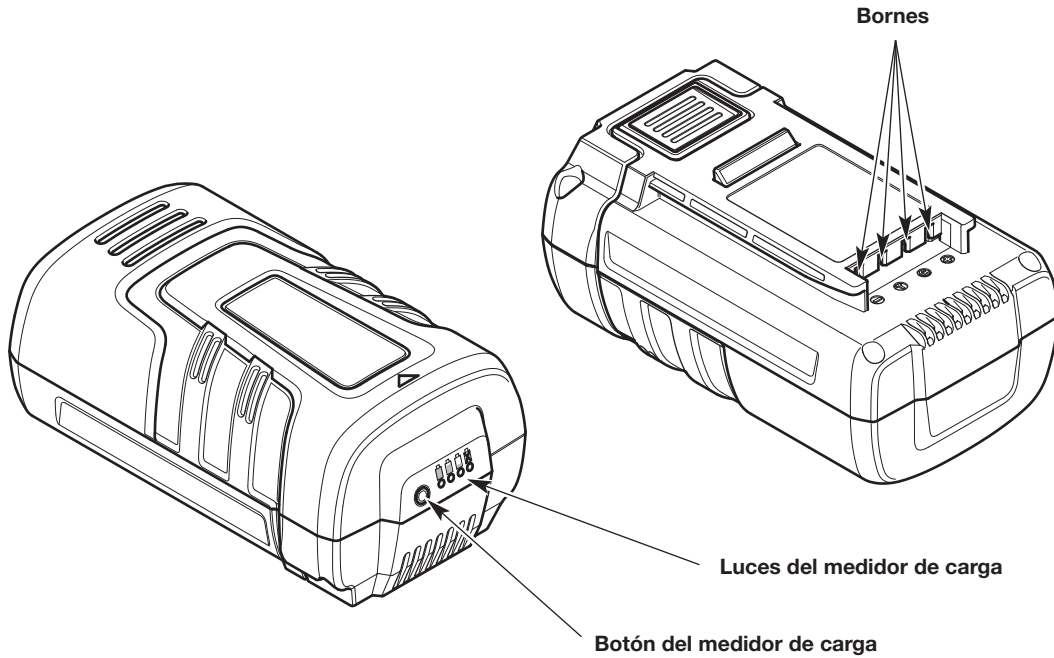
	• <b>SÍMBOLO DE ALERTA DE SEGURIDAD</b> Indica peligro, advertencia o precaución. Puede utilizarse junto con otros símbolos o pictogramas.
	• <b>LEA EL MANUAL DEL OPERADOR</b> <b>ADVERTENCIA:</b> Lea el(los) manual(es) del operador y cumpla todas las advertencias e instrucciones de seguridad. Si no lo hace, el operador y/o los observadores pueden sufrir lesiones graves.
<b>V</b>	• <b>VOLTIOS</b> - Voltaje
<b>A</b>	• <b>AMPERES</b> - Corriente
<b>Hz</b>	• <b>HERTZ</b> - Frecuencia (ciclos por segundo)
<b>AC</b>	• <b>CORRIENTE ALTERNA</b> - Tipo de corriente
	• <b>CORRIENTE DIRECTA</b> - Tipo de corriente
<b>Ah</b>	• <b>AMPERIO-HORA</b> - Medida de capacidad de carga
<b>Wh</b>	• <b>VATIO-HORA</b> - Medida de energía

#### SÍMBOLO SIGNIFICADO

	• <b>NO USE ESTE EQUIPO BAJO LA LLUVIA</b> <b>ADVERTENCIA:</b> Evite entornos peligrosos. No utilice nunca la unidad bajo la lluvia ni en condiciones mojadas o húmedas. La humedad constituye un peligro de descarga.
	• <b>NO DESECHAR CON LA BASURA DOMICILIARIA</b> Recicle la batería o deséchela de conformidad con las normativas locales, estatales y federales.

## CONOZCA SU UNIDAD

NO SE REQUIEREN HERRAMIENTAS DE MONTAJE



## ESPECIFICACIONES

Tipo de batería (Modelo RM4130) .....	40 V, lón-litio de 2.5 Ah
Tipo de batería (Modelo RM4140) .....	40 V, lón-litio de 4.0 Ah
Tipo de batería (Modelo RM4150) .....	40 V, lón-litio de 5.0 Ah
Peso aproximado de la batería (Modelo RM4130) .....	1.9 - 2.4 libras (0.9 - 1.1 kg)
Peso aproximado de la batería (Modelo RM4140) .....	2.9 - 3.4 libras (1.3 - 1.5 kg)
Peso aproximado de la batería (Modelo RM4150) .....	3.0 - 3.5 libras (1.4 - 1.6 kg)
Temperatura óptima de carga de la batería .....	32° a 104° F (0° a 40° C)
Temperatura óptima de almacenamiento de la batería .....	64° a 73° F (18° a 23° C)
Temperatura óptima de funcionamiento de la batería .....	32° a 113° F (0° a 45° C)

Todas las especificaciones se basan en la información más reciente sobre el producto disponible al momento de la impresión. Nos reservamos el derecho de realizar cambios en cualquier momento sin previo aviso.

## MONTAJE

### CARGA DE LA BATERÍA

La batería no se embarca con carga completa. Para obtener el máximo tiempo de funcionamiento, cargue la batería completamente antes de cada uso. Consulte la sección *Carga de la Batería* en el manual del operador de la unidad y/o cargador de batería.

**NOTA:** Las baterías de ion de litio no desarrollan memoria y se pueden cargar en cualquier momento.

## FUNCIONAMIENTO



**ADVERTENCIA:** No exponga las herramientas eléctricas a la lluvia o a condiciones húmedas.

### CONTROL DEL NIVEL DE CARGA DE LA BATERÍA

1. Presione el botón del medidor de carga (Fig. 1).
2. Una o más de las luces del medidor de carga debería iluminarse (Fig. 1). La cantidad y el color de las luces indicarán el nivel actual de carga de la batería:
  - 3 Luces verdes = 66 - 100% de carga
  - 2 Luces verdes = 33 - 66% de carga
  - 1 Luz verde = 1 - 33% de carga
  - 1 Luz roja = 0% de carga
3. Si se ilumina la luz roja, cargue la batería antes de continuar usando la unidad.

**NOTA:** Mientras se utilizan, las baterías de ion de litio suministran electricidad con mínimo desvanecimiento. Cuando la batería está totalmente descargada, inmediatamente corta el suministro de alimentación a la unidad y es necesario realizar la carga.

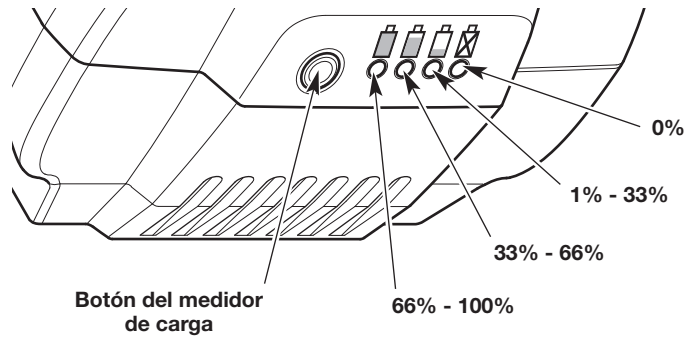


Fig. 1

## LIMPIEZA Y ALMACENAMIENTO

### LIMPIEZA



**ADVERTENCIA:** Para evitar lesiones graves, nunca limpie la batería mientras esté instalada en la unidad o en el cargador de batería. Antes de limpiar la batería, siempre quite la batería de la unidad o del cargador de batería. Antes de limpiar la batería siempre déjela enfriar.



**ADVERTENCIA:** Para evitar lesiones graves, no use agua para limpiar la batería. No empape la batería con agua. No sumerja la batería en agua o algún otro líquido. No utilice detergentes fuertes. Los productos de limpieza para el hogar que contienen aceites aromáticos como pino y limón, y los disolventes como el queroseno, pueden dañar el plástico.

Use un cepillo pequeño o un paño limpio y seco para limpiar la batería por fuera.

### ALMACENAMIENTO

- Retire la batería de la unidad.
- Limpie a fondo la batería e inspeccione la misma para ver si hay algún daño.
- Guarde la batería en un lugar bajo llave para evitar que se la utilice sin permiso o que se provoquen daños.
- Almacene la batería en un espacio cerrado, seco y bien ventilado.
- Almacene la batería en un área con una temperatura que oscile entre 65 y 75°F (18 y 24°C).
- Almacene la batería lejos del alcance de los niños.
- Si la batería se deja sin uso durante más de dos meses, cargue la misma totalmente antes de utilizarla.

## SOLUCIÓN DE PROBLEMAS

PROBLEMA	SOLUCIÓN
<b>LA BATERÍA SE DESCARGA RÁPIDAMENTE</b>	
La batería no está totalmente cargada	Cargue la batería completamente
La batería y/o el cargador de baterías ya no funcionan	Consulte en la sección <i>Garantía</i> la información referida al cambio

# REMINGTON®

## REMINGTON LLC GARANTÍA LIMITADA

### Garantía Limitada

La presente garantía limitada es otorgada por Remington LLC respecto de productos nuevos operados a batería de la marca Remington (en adelante el "Producto") comprados y utilizados en los Estados Unidos y/o Canadá al Comprador Inicial (como se define aquí). Este Producto no está diseñado para uso comercial o alquiler.

### Alcance de la Garantía Limitada

Remington LLC ofrece la siguiente garantía limitada al Comprador Inicial cuando el producto se utilice con fines residenciales u otros fines no comerciales: a excepción de las Exclusiones (definidas aquí), durante el Período de Garantía (como se define aquí), este Producto (excluyendo la batería y el cargador de batería) estará libre de defectos de fabricación, incluyendo mano de obra y materiales. El "Comprador Inicial" significa la primera persona que compre este Producto nuevo en un concesionario Remington autorizado, distribuidor o vendedor de dichos productos. Esta garantía limitada es intransferible. Sujeto a las Exclusiones y a excepción de lo aquí indicado en contrario, el período de la garantía limitada para este Producto nuevo comprado por el Comprador Inicial es de **tres (3) años** a partir de la fecha de compra que figure en la factura original de venta del Producto ("Período de Garantía").

### Defectos de Mano de Obra o Materiales

Sujeto a las Exclusiones y a excepción de lo aquí indicado en contrario, se garantiza que este Producto estará libre de defectos de fabricación, tanto de mano de obra como de materiales, durante el Período de Garantía. Durante el Período de Garantía, Remington LLC tendrá la opción de reparar o reemplazar cualquier pieza original que esté cubierta por esta garantía limitada y que se determine que presenta un defecto de mano de obra o materiales.

### Para calificar para esta Garantía Limitada, este Producto:

1. Debe haber sido comprado en un comercio autorizado.
2. Debe haber sido adquirido por el Comprador Inicial dentro de los Estados Unidos o Canadá.
3. Debe haber sido utilizado únicamente para fines residenciales (no comerciales).
4. Debe haber sido usado de una manera acorde al uso normal y correcto previsto para este Producto.

### ¿Quiénes pueden efectuar Reparaciones bajo esta Garantía?

Para calificar para la presente garantía limitada, las reparaciones efectuadas bajo esta garantía deben ser realizadas por un proveedor de servicios de garantía autorizado por Remington.

### Cómo obtener Servicios bajo esta Garantía Limitada.

Para localizar un proveedor de servicios de garantía de Remington, contáctese con su concesionario, distribuidor o comercio Remington autorizado o comuníquese con Remington LLC escribiendo a P.O. Box 361032, Cleveland, Ohio 44136-0019, llamando al 1-866-206-2707 o ingresando a nuestro sitio web: [www.remingtonpowertools.com](http://www.remingtonpowertools.com). Dentro de Canadá, contáctese con MTD Products Limited, 97 Kent Avenue, Kitchener, ON N2G 3R2, llame al call 1-877-696-5533 o ingrese al sitio web indicado arriba. Esta garantía limitada es otorgada por Remington LLC y es la única garantía que otorga Remington LLC para este Producto. PARA UN SERVICIO DE GARANTÍA NECESITARÁ PRESENTAR UNA COPIA DE SU FACTURA DE VENTA.

### Lo que NO cubre esta Garantía Limitada.

#### Esta Garantía Limitada No cubre lo siguiente (las "Exclusiones"):

1. Producto comprado fuera de los Estados Unidos o Canadá.
2. Los daños producidos por la falta de mantenimiento y/o un mantenimiento inadecuado, según se describe en el manual del operador.

3. El desgaste normal resultante de usar el Producto.
4. Las Piezas de Desgaste Normal (como se las define aquí) tienen la garantía de estar libres de defectos de mano de obra y materiales por un periodo de treinta (30) días desde la fecha de compra original por parte del Comprador inicial. A los fines de esta Garantía Limitada, "Piezas de Desgaste Normal" incluyen, entre otras, las siguientes: perillas de impacto, bobinas exteriores, hilo de corte, carretes interiores, poleas de arranque, cuerdas de arranque, correas de transmisión, motosierras, barras de guía, dientes de cultivadora y/o cuchillas.
5. El uso del Producto de manera no acorde al uso previsto para el mismo, como se describe en las instrucciones operativas, incluyendo, sin limitación, abuso, uso indebido y/o descuidado del Producto o todo uso que no se compadezca y/o no cumpla con las instrucciones que figuran en el manual del operador.
6. Todo Producto que haya sido alterado o modificado de alguna manera que no se compadezca con el diseño original del Producto o de alguna manera no aprobada por Remington LLC.
7. Las llantas de ruedas (en caso de venir equipadas) están cubiertas por defectos de fabricación por un período de tres (3) meses a partir de la fecha de compra original por parte del Comprador Inicial.
8. La batería provista con este Producto está cubierta por una garantía que cubre defectos de mano de obra y materiales por un período de **tres (3) años** a partir de la fecha de compra original por parte del Comprador Inicial.
9. El cargador de batería provisto con este Producto tiene una garantía que cubre defectos de mano de obra y materiales por un período de **tres (3) años** a partir de la fecha de compra original por parte del Comprador Inicial.

**Esta Garantía no cubre y Remington LLC se exime de toda responsabilidad por cuestiones, entre otras, como las siguientes:**

1. Pérdida de tiempo o pérdida de uso del Producto.
2. Los costos de transporte y otros gastos relacionados con el transporte del Producto hasta y desde el establecimiento del proveedor de servicios de garantía autorizado de Remington.
3. Cualquier pérdida o daño a otros equipos o elementos personales.
4. Daños ocasionados por mantenimiento inadecuado o el uso de combustible, aceite o lubricantes que no fueran los especificados, según lo aprobado en el manual del operador.
5. Daños resultantes de la instalación o el uso de cualquier accesorio o pieza no aprobada por Remington LLC para usar con el Producto.

**Limitaciones:**

1. NO HAY NINGUNA GARANTÍA, INCLUYENDO, SIN LIMITACIÓN, NINGUNA GARANTÍA TÁCITA DE COMERCIABILIDAD O APTITUD PARA UN DETERMINADO USO. NINGUNA GARANTÍA SE APLICARÁ DESPUÉS DEL PERÍODO DE GARANTÍA APLICABLE SEGÚN LO ESTABLECIDO ANTERIORMENTE CON RESPECTO A LAS PIEZAS IDENTIFICADAS. NINGUNA OTRA GARANTÍA EXPRESA, SEA ESCRITA O VERBAL, A EXCEPCIÓN DE LA ARRIBA INDICADA, OTORGADA POR UNA PERSONA FÍSICA O JURÍDICA, INCLUYENDO UN CONCESIONARIO O COMERCIANTES, CON RESPECTO ALGÚN PRODUCTO SERÁ VINCULANTE PARA REMINGTON LLC. DURANTE EL PERÍODO DE GARANTÍA, EL RECURSO EXCLUSIVO ES LA REPARACIÓN O LA SUSTITUCIÓN DE LA PIEZA DEFECTUOSA, SEGÚN LO ESTABLECIDO ANTERIORMENTE. (ALGUNOS ESTADOS NO PERMITEN LIMITACIONES SOBRE EL TIEMPO DE DURACIÓN DE UNA GARANTÍA TÁCITA, POR LO QUE LA LIMITACIÓN ANTERIOR PODRÍA NO APLICARLE A USTED.)
2. LAS DISPOSICIONES ESTABLECIDAS EN EL PRESENTE DOCUMENTO PREVÉN EL ÚNICO Y EXCLUSIVO RECURSO QUE SURGE DE LA VENTA. REMINGTON LLC NO SERÁ RESPONSABLE POR DAÑOS O PÉRDIDAS INCIDENTALS O INDIRECTAS INCLUYENDO, SIN LIMITACIÓN, POR GASTOS DE TRANSPORTE O GASTOS SIMILARES O POR GASTOS DE ALQUILER PARA REEMPLAZAR PROVISORIAMENTE UN PRODUCTO GARANTIZADO. (ALGUNOS ESTADOS NO PERMITEN LA EXCLUSIÓN O LA LIMITACIÓN DE DAÑOS INCIDENTALS O CONSECUENTES, POR LO QUE QUE ES POSIBLE QUE LA EXCLUSIÓN O LIMITACIÓN ANTERIOR NO SE APLIQUE EN SU CASO).
3. En ningún caso el reembolso será superior al precio de compra del Producto vendido. La alteración de los elementos de seguridad del Producto anulará esta garantía limitada. Usted asume el riesgo y la responsabilidad por pérdidas, daños o lesiones personales y materiales tanto suyas como de terceros como consecuencia del uso o uso indebido o imposibilidad de usar este Producto.

**Leyes Estatales y esta Garantía.**

Esta garantía limitada le concede derechos legales específicos, y también es posible que tenga otros derechos, que varían de un estado a otro.