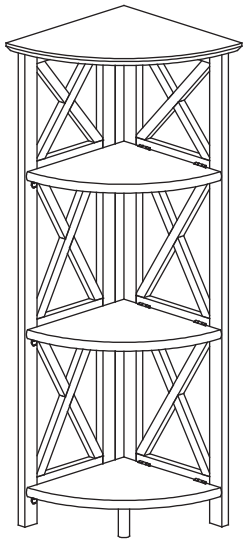


Assembly Instruction Sheet  
 Item No. 301-1X  
 Montego 3-Shelf Corner  
 Folding Bookcase with Mantel Top



**LIST OF PARTS**



Snap on Mantel Top  
1 PC

**LIST OF HARDWARE**



Front Support  
MS0952V  
1 PC

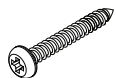


Screw F6 x 1 1/4"  
RF10002  
1 PC

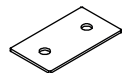
**Anti-Tipping**



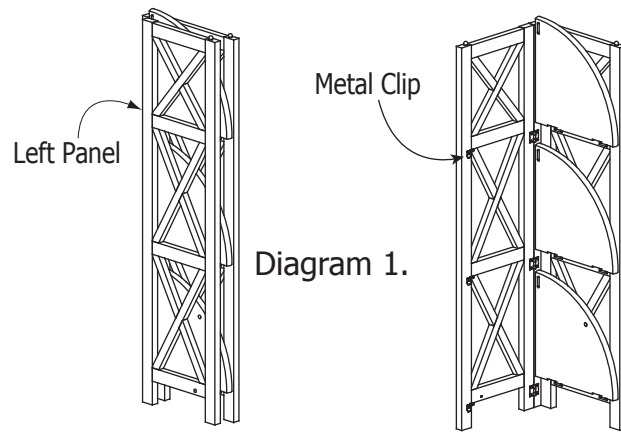
Screw P6 x 5/8"  
RF10080  
2 pcs.



Screw P6 x 1 1/4"  
RF10103  
2 pcs.

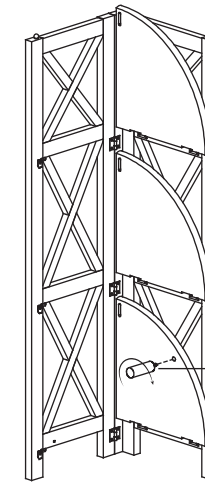


Metal Plate  
RF40214  
2 pcs.

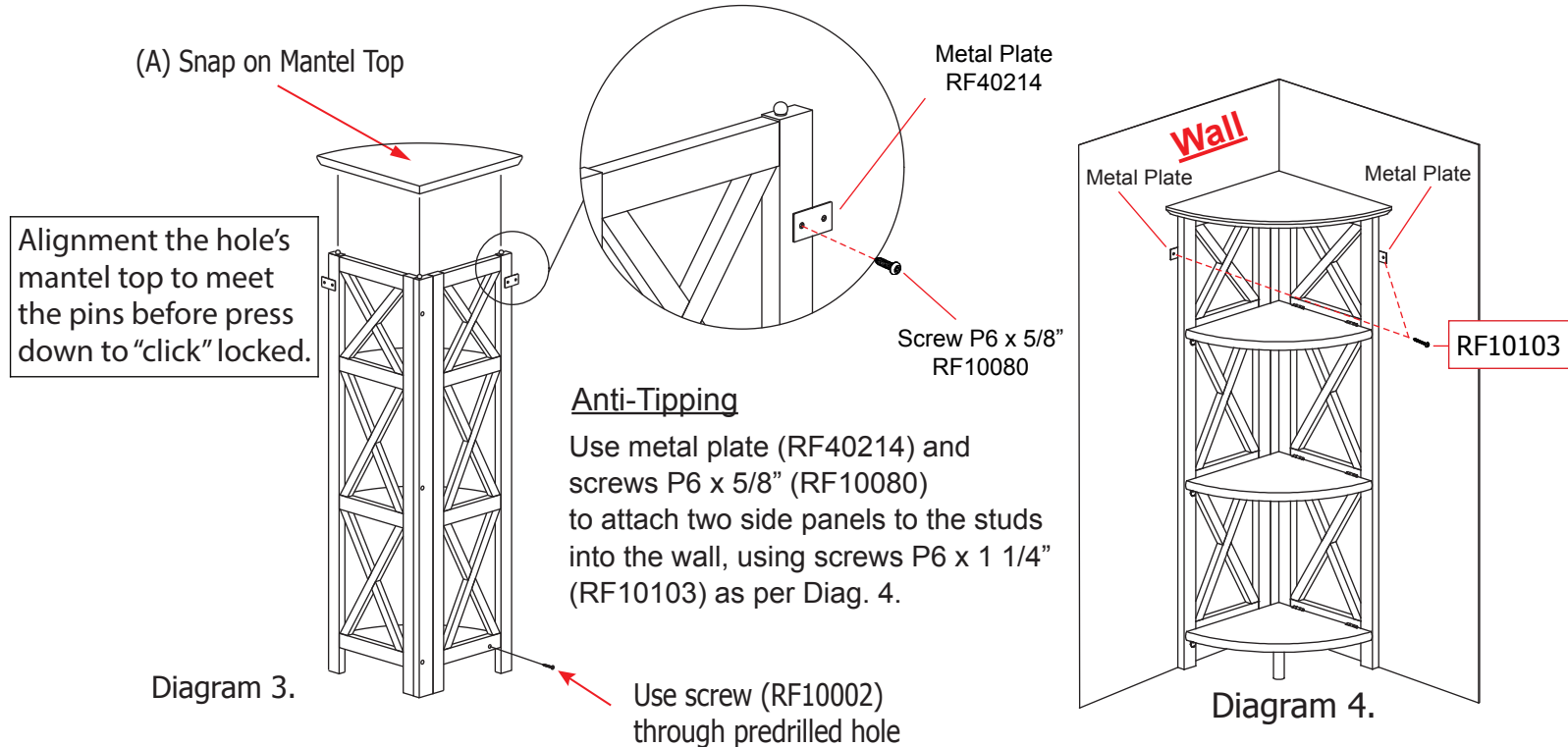


1. Open the left panel and right side panel of corner shelf as shown in Diagram 1.

*"It is dangerous to stack two units one on top of the other. The small base isn't stable enough for such combination."*



2. Put the front support (MS0952V) into the hole under the Bottom shelf as per Diagram 2.



**Anti-Tipping**

Use metal plate (RF40214) and screws P6 x 5/8" (RF10080) to attach two side panels to the studs into the wall, using screws P6 x 1 1/4" (RF10103) as per Diag. 4.

Use screw (RF10002) through predrilled hole