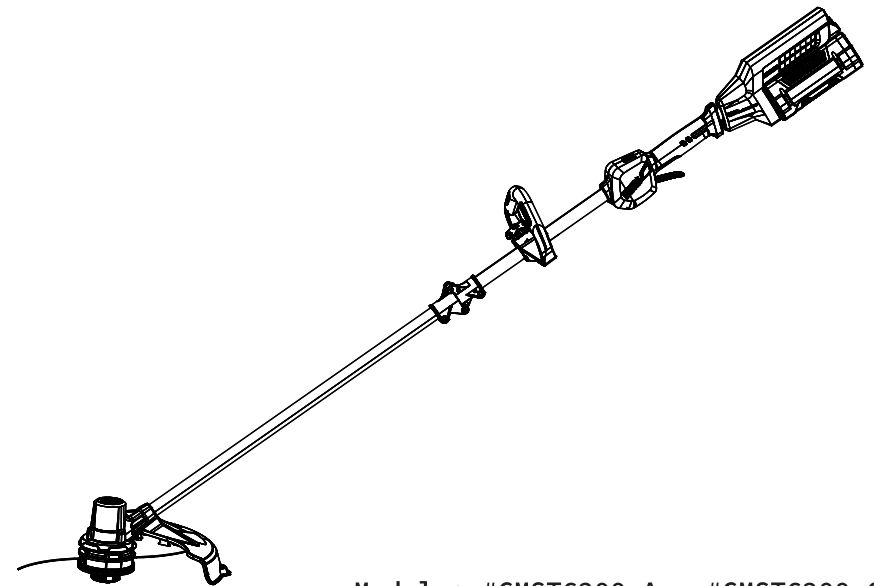


**GREEN** ★  
**MACHINE**®



Operator's Manual

# 62V CORDLESS STRING TRIMMER



Models: #GMST6200-A #GMST6200-C

**⚠ WARNING:** To reduce the risk of the injury, the user must read and understand the operator's manual before using this product. Save these instructions for future reference.

TOLL-FREE HELPLINE: (800)541-7027

# 1 GENERAL SAFETY RULES

**PLEASE READ ALL INSTRUCTIONS before operating your machine.** The safety instructions in this manual are designed to protect your safety and guide your use of the Green Machine® String Trimmer. Failure to read and understand the following information may create an unsafe workspace which could constitute risk of electric shock, explosions, heavy flying objects, fire, or chemical reactions. **Save all warnings and instructions for future reference.**

**NOTE:** The term “power tool” used in these instructions refers to your battery-operated, cordless string trimmer.

## 1.1 Work Area Safety

- **Prepare your workspace before turning on your machine.** Ensuring a clean and well-lit workspace should be the first step in using your Green Machine® String Trimmer. Use dust extraction and collection devices if available.

- **Clear the area before each use.** Remove all objects such as rocks, broken glass, nails, wire, or string that can be thrown or become entangled in the cutting attachment.

- **Never operate your power tool in the presence of flammable liquids, gases, or dust.**

- **Keep children and bystanders away while operating your power tool.** By operating away from bystanders, you are reducing the risk of injury by minimizing potential harm to people other than yourself. Additionally, you can avoid unwanted distractions which may lead to unsafe operation.

- **Never use the string trimmer within a close vicinity of any electric cables.**

- **Don't use in the rain, in damp or wet locations.**

## 1.2 Personal Safety

- **Stay alert and entirely focused when operating a power tool.** Never use your cordless string trimmer while under the influence of alcohol or drugs. You should also avoid using your power tool while you are feeling overly tired or ill.

- **Dress properly. Do not wear loose clothing or jewelry.** They can be caught in moving parts. Wear protective clothing; use of work gloves, long pants, a long sleeved shirt and safety footwear is recommended when working outdoors. Wear protective hair covering to contain long hair.

- **Always wear proper protective equipment.** This includes, but is not limited to, eye

# CONTENTS

Section 1	General Safety Rules .....	3
Section 2	Parts Diagram .....	10
Section 3	Technical Details .....	11
Section 4	Unpacking .....	12
Section 5	Assembly .....	12
Section 6	Operation .....	15
Section 7	Adjusting the Cutting Line Length .....	17
Section 8	Maintenance .....	18
Section 9	Troubleshooting .....	22
Section 10	Limited Warranty Coverage .....	24

protection, dust masks, non-slip safety shoes, hard hats, and hearing protection.

- **Always check your machine for external tools.** To avoid injuring yourself or harming your machine, check to make sure all adjustment wrenches, rotating tools, and other external devices are properly detached from your Green Machine® String Trimmer.
- **Keep your balance by maintaining a firm stance and footing.** Always be sure of your footing, particularly on slopes or stairs.
- **Keep all parts of the body away from the cutting string.** Do not attempt to dislodge anything from your machine while it is on. Ensure that your hands and face are far from the string before powering your machine on.
- **Do not grip the power tool by any non-insulated metal surface on the machine.**
- **Keep a firm, tight grip on the string trimmer throughout use.** Never attempt to use the string trimmer with one hand.
- **Never run with your power tool, especially if it is turned on.**
- **Maintain personal safety standards for any and all devices being used for a task.** This may include dust collection tools, lighting, and additional power tools.
- **Prevent unintentional starting.** Ensure the switch is in the off-position before connecting to battery pack, picking up or carrying the tool. Carrying power tools with your finger on the switch or energizing power tools that have the switch on invites accidents.
- **Do not let familiarity gained from frequent use of tools allow you to become complacent and ignore tool safety principles.** A careless action can cause severe injury within a fraction of a second.

## 1.3 Power Tool Use and Care

- **Only use the Green Machine® Cordless String Trimmer if it is the right tool for the job.** Only use the attachments recommended by the manufacturer.
- **Use the power tool, accessories and tool bits etc. in accordance with these instructions, taking into account the working conditions and the work to be performed.** Use of the power tool for operations different from those intended could result in a hazardous situation.
- **Do not use the power tool if the switch does not work properly.**
- **Turn off your power tool and remove the battery pack before making any adjustments.** This may include clearing jammed material, changing accessories, storing, or servicing the appliance.
- **Do not allow persons unfamiliar with these instructions to operate the machine.**
- **Keep your power tool in proper condition with regular maintenance.** Check for the

misalignment or disrepair of moving parts and any other condition that may affect the power tool's operation. If damaged, have the power tool repaired before use.

- **Keep handles and grasping surfaces dry, clean and free from oil and grease.** Slippery handles and grasping surfaces do not allow for safe handling and control of the tool in unexpected situations.
- **Avoid use near or around water.** Ensure your hands are dry and never use your power tool in the rain.
- **Always switch off your power tool before setting it down on the ground or other surface.**
- **Do not use solvents or cleaning fluids to clean your product.** Use a blunt scraper to remove grass and dirt.
- **Keep your product out of reach of children at all times.**
- **Have your power tool serviced by a qualified repair person using only identical replacement parts.** This will ensure that the safety of the power tool is maintained.

## 1.4 Battery Tool Use and Care

- **Check that the power switch is off before inserting the battery pack.** Your battery pack should always be removed and your cordless tool stored securely with the power switch off between each use.
- **Never carry your power tool with your finger on the power switch.**
- **Recharge only with the Green Machine® charger provided for use with the equipment.**
- **Power your string trimmer with the Green Machine® battery pack only.**
- **Take special care in storing your battery pack.** Keeping your batteries away from other metal objects such as paper clips, coins, keys, nails, screws or other small metal objects will ensure safe storage.
- **Avoid any contact with liquid discharged from your battery pack.** Liquid will only be discharged from your battery pack in extreme cases, but it is important to be prepared. If contact accidentally occurs, flush the exposed area with water immediately. If liquid contacts eyes, seek medical attention.
- **Avoid excessive temperatures.** If your battery pack overheats to 212°F or more, the battery is at risk of exploding. Be mindful of lengthy exposure to intense sun or fire.
- **Follow all charging instructions and do not charge the battery pack or tool outside the temperature range specified in the instructions.** Charging improperly or at temperatures outside the specified range may damage the battery and increase the risk

of fire.

▪ **Never service damaged battery packs.** Service of battery packs should only be performed by the manufacturer or authorized service providers.

## 1.5 Safety Warnings For Battery and Battery Charger

▪ **Do not dispose of the battery in a fire.** The cell may explode. Check with local codes for possible special disposal instructions. When disposing of secondary cells or batteries, keep cells or batteries of different electrochemical systems separate from each other.

▪ **Do not open or mutilate the battery.** Released electrolyte is corrosive and may cause damage to the eyes or skin. It may be toxic if swallowed. Additionally, if your battery pack has been damaged, seek to dispose of it properly and do not attempt to use it again.

▪ **Exercise care in handling the battery in order not to short it with conducting materials such as rings, bracelets, and keys.** The battery or conductor may overheat and cause burns.

▪ **Keep battery out of reach of children and in original package until ready to use.**

▪ **Keep new and used batteries away from children.**

▪ **If the battery compartment does not close securely, stop using the product and keep it away from children.**

▪ **Do not use a visibly damaged battery pack or appliance.**

▪ **Do not short-circuit a cell or battery.** Do not store cells or batteries haphazardly in a box or drawer where they may short circuit each other or be short-circuited by conductive materials.

▪ **Do not subject cells or batteries to mechanical shocks.**

▪ **Keep cells and batteries clean and dry.** Wipe the cell or battery terminals with a clean dry cloth if they become dirty.

▪ **Do not maintain secondary cells and batteries on charge when not in use.**

▪ **Remove the battery from the equipment when not in use.**

▪ **Use the battery only in conjunction with your power tool.** This measure alone protects the battery against dangerous overload.

▪ **Keep the battery charger away from rain or moisture.** Penetration of water in the battery charger increases the risk of an electric shock.

▪ **Do not charge other batteries.** The battery charger is suitable only for charging

lithium-ion batteries within the listed voltage range. Otherwise, there is danger of fire and explosion.

▪ **Keep the battery charger clean.** Contamination can lead to danger of an electric shock.

▪ **Before each use, check the battery charger, cable and plug.** If damage is detected, do not use the battery charger. Never open the battery charger yourself. Have repairs performed only by a qualified technician and only using original spare parts. Damaged battery chargers, cables and plugs increase the risk of an electric shock.

▪ **Do not operate the battery charger on easily inflammable surfaces (e. g., paper, textiles, etc.) or surroundings.** The heating of the battery charger during the charging process can pose a fire hazard.

▪ **Children should be supervised to ensure that they do not play with the battery charger.**

This product uses lithium-ion (Li-ion) batteries marked with the Call2Recycle seal, which can be recycled at any US or Canada participating retailer or battery recycling facility in the Call2Recycle program. To locate a participating retailer or facility closest to you, please call 877-273-2925 or visit [www.call2recycle.org](http://www.call2recycle.org). If you are unable to locate a participating retailer or facility nearby, please consult your local waste authority for information regarding available recycling and/or disposal options.



## 1.6 Additional Safety Warnings

If your machine is faulty or if you want to add attachments, have your power tool serviced by a certified dealer using genuine Green Machine® replacement parts. Do not attempt to service the machine yourself.

**⚠ WARNING:** This product may contain lead, phthalate or other chemicals known to the State of California to cause cancer, birth defects and other reproductive harm. Please wash your hands after use.

▪ **Do not force appliance.** It will do the job better and with less likelihood of a risk of injury at the rate for which it was designed.

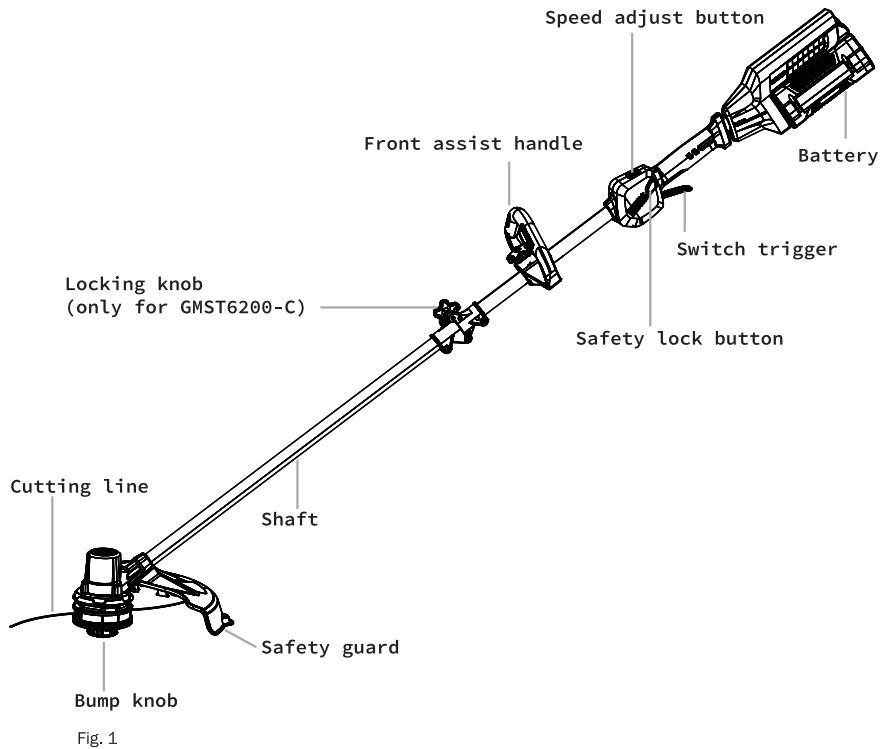
▪ **Always hold the trimmer firmly, with both hands on the handles, while operating.** Wrap your fingers and thumbs around the handles.

- **Do not overreach. Keep proper footing and balance at all times.**
- **Stay alert.** Use common sense. Do not operate appliance when you are tired or under the influence of drugs, alcohol or medication.
- **When not in use, appliances should be stored indoors in dry places out of reach of children.**
- **Maintain appliance with care.** Follow instructions for lubricating and changing accessories. Keep handles dry, clean, and free from oil and grease. Always remove or disconnect battery pack before adjusting, cleaning, servicing or transporting the lawn trimmer.
- **Check damaged parts.** Before using the appliance, make sure the safety guards are intact. Never use a tool without its safety guard. Check the alignment of the moving parts, the binding of the moving parts.
- **Check for broken or defective parts that can affect the safe operation of your tool.** A guard or other part that is damaged should be properly repaired or replaced by an authorized service center unless indicated elsewhere in this manual.
- **Keep cutting string sharp and clean.** Properly maintained cutting string is easier to control.
- **Never use your string trimmer without the safety guard.** Double check that the guard is intact before operating.
- **Do not use heavier cutting lines than recommended in this manual.**
- **Do not use line materials other than those provided.** Metal wire, rope, and other materials will not function properly with this machine.
- **This tool is not intended for use by any person with reduced physical, sensory, or mental capabilities.** This includes people with a lack of experience and knowledge. All users must receive supervision or instruction concerning use of this appliance prior to actual use.
- **Always ensure all handles and guards are fitted when using the machine.** Never attempt to use an incomplete machine or one fitted with an unauthorized modification.
- **Wait until the machine has turned completely off before placing it down.**
- **In case of damage and improper use of the battery, vapors may be emitted.** In the case of vapor emission, turn off your device and seek fresh air away from the fumes. Seek medical help in case of complications or overexposure to vapors to avoid damage to the respiratory system.
- **Use the battery only to power your power tool.** Do not use your battery on other tools or for any other purposes.

**⚠ WARNING:** The intended use is described in this manual. The use of any accessory, attachment or performance of any operation with this appliance other than those recommended in this instruction manual can present a risk of personal injury and/or damage to property. The operator or user is responsible for all accidents and/or hazards occurring to other people or their property.

**SAVE THESE INSTRUCTIONS**

# 2 PARTS DIAGRAM



# 3 TECHNICAL DETAILS

<b>Cordless String Trimmer Model</b>	<b>GMST6200-A</b>	<b>GMST6200-C</b>
Voltage	62Vd.c.	62Vd.c.
No Load Speed	2500-6300rpm	2500-6300rpm
Cutting width	14in,16in	14in,16in
Cutting line type	Ø 0.0906 Inch (2.3mm) nylon line	Ø 0.0906 Inch (2.3mm) nylon line
Shaft	Aluminum shaft	Carbon fiber shaft
Net weight	6.8 lbs (3.1kg)	6.6 lbs (3.0kg)
<b>Battery</b>	<b>Lithium-ion</b>	<b>Lithium-ion</b>
Model Number	GMBA6200-25	GMBA6200-25
Voltage	62 Vd.c.	62 Vd.c.
Capacity	2.5Ah/135Wh	2.5Ah/135Wh
Number of Battery cell	15pcs	15pcs
<b>Battery Charger Model Number</b>	<b>GMBC6200</b>	<b>GMBC6200</b>
Input	100-120Va.c., 60Hz	100-120Va.c., 60Hz
Output	62Vd.c,4A	62Vd.c,4A
Charging Temperature Range	32 - 104° F (0-40° C)	32 - 104° F (0-40° C)
Replacement Cartridge PN	GMA-H (2205100003A)	
Replacement String Line PN	GMA-L079(2013900242) GMA-L0906(2013900243)	

# 4 UNPACKING

**⚠ WARNING!** Do not attempt to assemble or use this product without all of the necessary parts. If any parts are missing, please contact our help line at (800) 541-7027 and await the arrival of missing parts. Use of this product with damaged or missing parts could result in serious personal injury.

1. Carefully remove the tool and all accessories from the carton.
2. Inspect the tool carefully to make sure that nothing was damaged during transportation.
3. Once you have confirmed that the tool is complete and working, dispose of all packing materials using responsible recycling and disposal practices.

**PACKING LIST**

- Green Machine® Cordless String Trimmer
- Safety Guard
- Front Assist Handle Assembly
- 62V battery pack
- Battery charger
- Operator's manual

# 5 ASSEMBLY

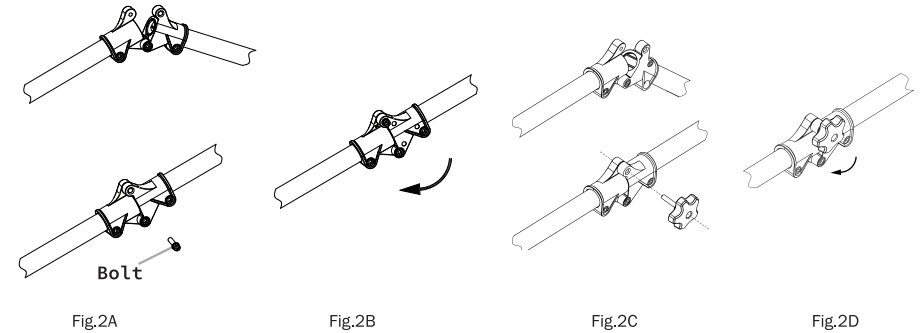
**⚠ WARNING!** Before assembly, make sure that the appliance is switched off and the battery is removed.

**⚠ CAUTION:** Danger of explosion if battery is incorrectly replaced. Replace only with the same or equivalent type.

## 5.1 Shaft Assembly

- ⚠ WARNING!** In order to avoid pinching your hands or fingers, do not hold the shaft at the joints.
- ⚠ WARNING!** Do not attempt to start the trimmer until the shaft has been locked.

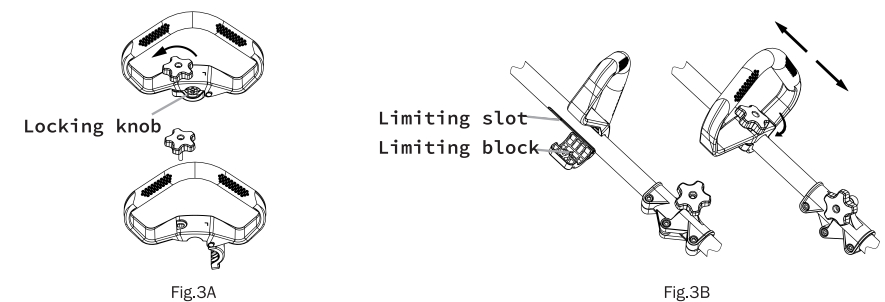
1. Carefully unfold the shaft of your trimmer on a flat surface. Take note to ensure that the cable is tucked inside the shaft so that it will not be pinched when closing the joints.
2. Lock the shaft with provided wrench & bolts (on GMST6200-A, Fig. 2A-B) or with the locking knob (on GMST6200-C, Fig. 2C-D).



## 5.2 Front Assist Handle Assembly

1. Unscrew the locking knob from the front-assist handle. (Fig. 3A)
2. Position the front-assist handle onto the upper shaft of the trimmer. Ensure that the limiting block locks into the designated slot. (Fig. 3B)
3. Move the front assist handle up or down to the desired position, then fully tighten the knob to fasten in place (Fig. 3B)

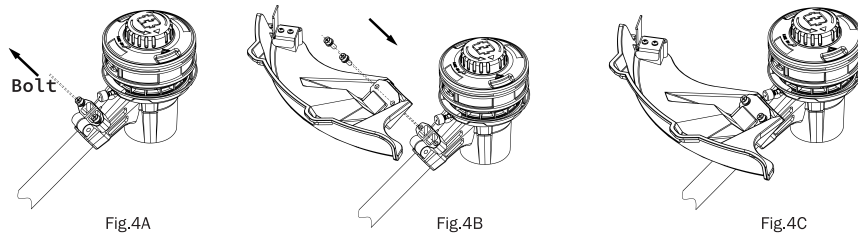
**NOTE:** Do not over tighten the locking knob.



## 5.3 Guard Assembly

**⚠ WARNING!** Never use the tool unless the guard is properly fitted.

1. Unscrew and remove the bolts and washers from the guard. (Fig.4A)
2. Lift the trimmer head and face it downward. Align the two mounting holes in the guard with the two assembly holes at the base of the shaft. Make sure that the internal surface of the guard faces towards the trimmer head. (Fig. 4B)
3. Lock the guard in place and screw the bolts on with the washers (Fig. 4C).

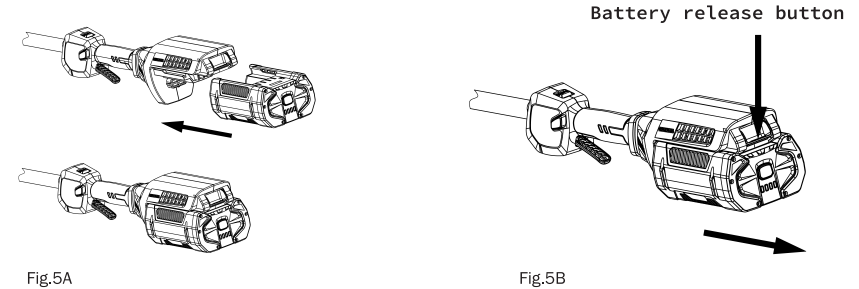


## 5.4 Installing The Battery Pack

1. Connect your battery pack to the charger. Your battery must be fully charged before the first use of your cordless string trimmer.
2. Check to ensure that the power switch is set to 'off.'
3. Align the ribs of the battery pack with the mounting slots in the string trimmer's battery port. Insert the battery pack into battery holder. (Fig.5A)
4. Ensure that the latch snaps into place and the battery feels secure.

## 5.5 Removing The Battery Pack

1. Turn off your string trimmer.
2. Press the battery-release button to disengage the battery from the latch. (Fig.5B)
3. Remove the battery.



# 6 OPERATION

- ⚠ WARNING!** Always exercise caution when using this machine no matter your level of experience.
- ⚠ WARNING!** Always wear eye protection along with hearing protection.
- ⚠ WARNING!** Before each use, inspect the entire product for damaged, missing, or loose parts. Tighten all fasteners and do not operate this product until all missing or damaged parts are replaced.
- ⚠ WARNING!** Do not attempt to modify this product or create your own accessories. Any such alteration or modification could result in hazardous conditions possibly leading to serious personal injury.

## 6.1 Starting / Stopping The Trimmer

- ⚠ WARNING!** Avoid overworking or overusing your power tool. Use the tool as intended to avoid damage to the machine or yourself.
- ⚠ WARNING!** Only switch the motor on when your hands and feet are away from the cutting parts.

1. Stand upright and hold the string trimmer as designed. Place one hand on each handle. Make sure the machine is not touching the ground or any other objects.
2. Press down the safety lock button and then depress the switch trigger to turn on the trimmer. (Fig.6)
3. Release the switch trigger to switch off the trimmer.

**NOTE:** The cutting head continues to rotate for a few seconds after motor is switched off.



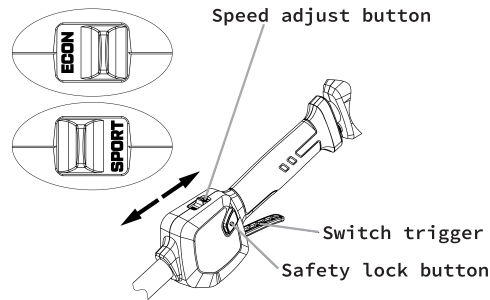


Fig.6

## 6.2 Adjusting The Trimmer Speed

1. The rotational speed of the cutting line on your Green Machine® Cordless String Trimmer can be adjusted by the speed adjustment button.
2. Push the "SPORT" button for high speed use and to the "ECON" for low speed. (Fig.6)
3. Adjust the speed to suit the task. Do not overwork your machine.

## 6.3 Using The Trimmer

1. Always use your machine with the cutting attachment parallel to the ground. The trimmer shaft should be at about a 35° angle from the ground.
2. When starting, hold the machine at a safe distance from the ground. Once the motor has started, you can begin to cut.
3. Slowly swing your trimmer from left to right for best results.
4. Do not force the trimmer. High grass should be cut in layers, beginning from top to bottom in small increments.
5. Do not cut damp or wet grass.
6. Avoid hitting the trimmer line against hard objects (stone, walls, fences etc). This will wear out the line and decrease the longevity of your machine.
7. Avoid trees and shrubs. Tree bark, wood moldings, siding, and fence posts can be easily damaged and create hazardous flying shrapnel.

**NOTE:** Excessive force or bashing the trimmer bump head on the ground to advance the cutting line will damage the bump head.

# 7 ADJUSTING THE CUTTING LINE LENGTH

## 7.1 Changing Of The Cut-Off Blade

This trimmer is equipped with a line cut-off blade on the guard. The line cut-off blade continuously trims the line to ensure a consistent and efficient cut diameter. Advance line whenever you hear the engine running faster than normal, or when trimming efficiency diminishes. This will ensure the best possible performance and keep the line long enough to advance properly.

This trimmer comes set to a 14-inch cutting diameter. To adjust to a cutting swath to 16 inches.:

1. Remove the battery from the string trimmer.
2. Remove both screws on the cut-off blade with a hex wrench. (Fig.7A)
3. Rotate the cut-off blade 180°. (Fig.7A/Fig.7B)
4. Re-assemble both screws in the blade. (Fig.7B)

**Note:** Set the cut-off blade to 14 in. for a greater runtime. Set the cut-off blade to 16 in. for a greater cutting area.

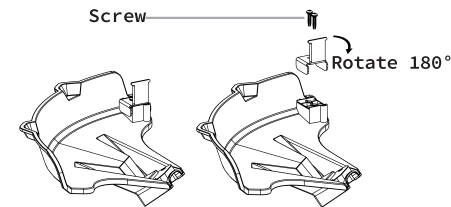


Fig. 7A

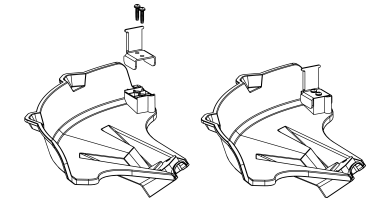


Fig. 7B

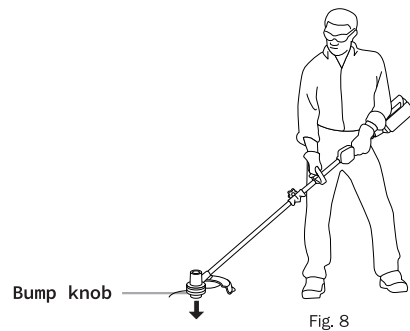
## 7.2 Cutting Line Advance

Your Green Machine® Cordless String Trimmer offers the ability to release cutting line while the motor is running. Simply tap the bump knob on the ground to release frayed or worn line. (Fig. 8). Regularly check the condition of your line and release as needed to avoid malfunctions or overheating of your machine.

**⚠ WARNING!** Do not remove or alter the line cutting blade assembly. Excessive line length will cause the motor to overheat and may result in serious personal injury.

**CAUTION:** For best results, tap the bump knob on bare ground or hard soil. Avoid doing so in areas with tall grass, which can get caught up in the cutting line. Always keep the trimming line fully extended. Line release becomes more difficult as the cutting line becomes shorter.

**⚠ WARNING!** Do not use excessive force or bash the Trimmer Bump Head on the ground. If the trimming line will not advance after tapping the bump head, the cutting line may have been used up. Alternatively, the cutting line may be tangled. Take out the battery and turn off your machine before checking for tangled line.



# 8 MAINTENANCE

**⚠ WARNING!** Switch off and remove battery from machine before adjusting, storing, or cleaning.

1. For repairs and service, please work with an authorized service dealer, which can be located by calling 800-541-7027.
2. Use only manufacturer's recommended replacement parts and accessories.

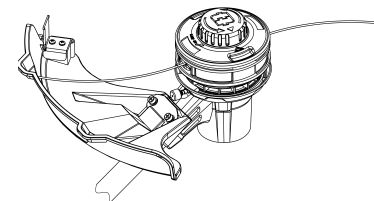
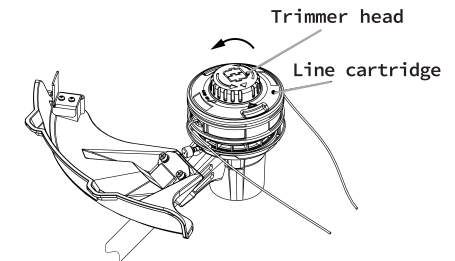
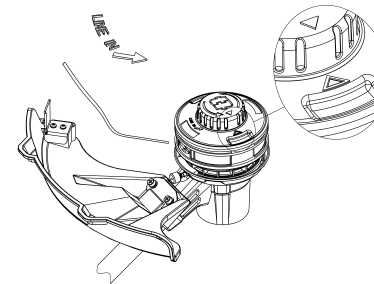
## 8.1 Replacing The Line

**⚠ NOTICE:** This model uses a nylon line with a diameter of 0.0906 inches (2.3mm). A standard nylon line with a diameter between 0.063 and 0.095 inches (1.6mm-2.4mm) is recommended as a replacement.

**⚠ WARNING:** Never use line which has not been approved for this machine. Metal-reinforced line, wire, and rope will not function properly with your machine.

**NOTE:** The cutting line is about 4.4 yards (4m) in length.

1. Align the arrow on the bump knob with the one on the spool cartridge. (Fig.9A)
2. Insert the cutting line into the eyelet that marked "LINE IN" on the spool. (Fig.9A)
3. The end of the line appears in the opposite eyelet of the spool. Pull both ends of the line until they are of equal length. (Fig.9B)
4. Hold the line cartridge with one hand and turn the bump knob counterclockwise with the other hand, until both ends are approximately 6 inches long. (Fig.9B/Fig.9C)

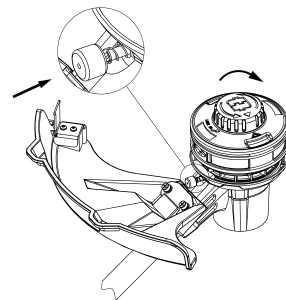
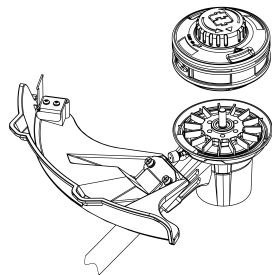
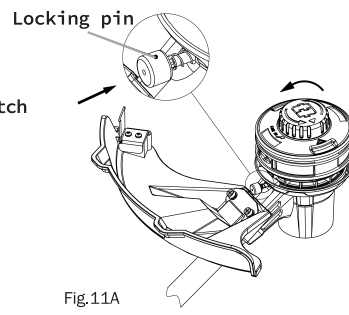
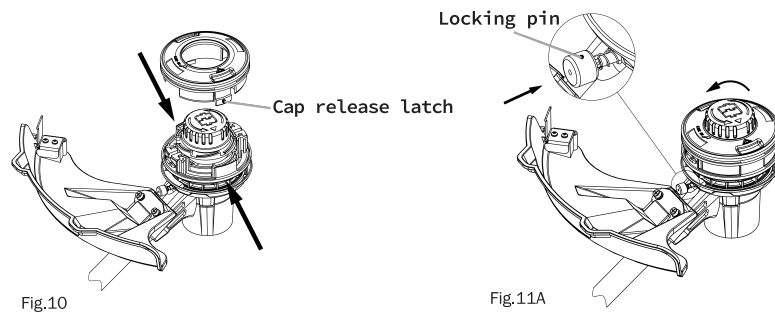


## 8.2 Cutting Line Re-Assembly

- 1.If the cutting line is stuck inside the cartridge, detach the cartridge and re-assemble the cutting line.
- 2.Press the cap release latch on the cap and lift it out of the spool holder (Fig.10).
- 3.Remove the line cartridge and take the line out of the cartridge.
- 4.Re-assemble the cartridge and assemble the cutting line as part 8.1 describes.

## 8.3 Replacing The Trimmer Head

- 1.The line cartridge on your string trimmer is fully disposable. If the cartridge has been damaged, detach the trimmer head, making sure to dispose of it properly. You may then attach a replacement cartridge (PN:GMA-H).
- 2.Press the locking pin and turn the cartridge counterclockwise to remove it. (Fig.11A/Fig.11B)
- 3.Press the locking pin and turn the trimmer head clockwise to assemble it. (Fig.11C)



## 8.4 Cleaning Your String Trimmer

- 1.Turn off your machine and remove the battery pack.
- 2.Clear any grass that may have wrapped itself around the motor shaft or trimmer head.
- 3.Use a small brush or small vacuum cleaner to clean the air vents on the rear housing.
- 4.Clean the exterior of your machine using a damp cloth with a mild detergent.
- 5.Do not use any strong detergents on the plastic housing or the handle. They can be damaged by certain aromatic oils, such as pine and lemon, and by solvents such as kerosene.
- 6.Completely dry your machine before use. A damp machine presents a shock hazard.

## 8.5 Storage

- 1.Turn off your machine and remove the battery pack.
- 2.Clean the tool using the instructions above.
- 3.Store the unit in a dry, well-ventilated area out of the reach of children. Do not store your machine near fertilizers, gasoline, or other chemicals.

# 9 TROUBLESHOOTING

The following chart lists problem symptoms, possible causes and corrective action, if your garden product does not operate properly. If these do not identify and correct the problem, contact our helpline at 800-541-7027.

**⚠ WARNING!** Switch off and remove the battery prior to any troubleshooting.

PROBLEM	PROBABLE CAUSE	CORRECTIVE ACTION
Appliance fails to start	Battery is not secure	To secure the battery pack, make sure the battery pack snaps into place.
	Battery is not charged	Charge the battery pack according to the instructions.
	Possible wiring or electrical contact problems	Remove battery, check contacts and reinstall the battery pack.
Appliance stops while cutting	Incorrect heavy cutting line installed	Replace with a standard nylon cutting line.
	The motor is overloaded	Remove the trimmer head from the grass. The motor will begin to work as soon as the load is removed. When cutting, move the trimmer head in and out of the grass to be cut and remove no more than 8 inches of length in a single cut.
	The battery pack or the trimmer is too hot	Allow the battery pack or the trimmer to cool down.
	The battery pack is disconnected	Re-install the battery pack.
	Battery is not charged	Charge the battery pack according to the instructions.

Trimmer head does not advance line	The motor shaft or trimmer head is clogged with grass	Stop the trimmer, remove the battery, and clean the motor shaft and trimmer head.
	There is not enough line on the spool	Remove the battery and replace the cutting line; follow the section "REPLACING THE LINE" in this manual.
	The trimmer head is dirty	Remove the battery and clean the trimmer head.
	The line is tangled on the spool	Remove the battery, remove the line from the spool and rewind, follow the section "CUTTING LINE RE-ASSEMBLY" in this manual.
	The line is inside the line cartridge	Remove the battery, remove the line from the spool and rewind, follow the section "CUTTING LINE RE-ASSEMBLY" in this manual.
Line is not cutting well	The line-cutting blade has become dull	Sharpen the line-cutting blade with a file or replace it with a new blade.
The spool retainer loosens after it is fixed in position or drops while cutting	The trimmer head is worn out	Replace the trimmer head immediately; follow the section "REPLACING THE TRIMMER HEAD" in this manual.

# 10 LIMITED WARRANTY COVERAGE

The manufacturer warrants that it will repair or replace, free of charge, any failure due to defects in materials or workmanship or both occurring during the applicable warranty period, subject to the exclusions and limitations set forth in the following paragraphs. Limited warranty coverage only applies to Green Machine products that are purchased from an authorized Green Machine® retailer located in the United States, U.S. territories or Canada. This warranty is effective for and is subject to the time periods and conditions stated below. For warranty service, purchaser must make the product available to the nearest Authorized Service Dealer, which can be found by contacting the help line at 800-541-7027.

### Persons Covered This Limited Warranty

This warranty is valid for the original retail purchaser from the date of initial retail purchase and is not transferable.

#### "Consumer Use"

"Consumer Use" means personal residential household use by a retail consumer.

#### "Commercial Use"

"Commercial Use" means uses for commercial, income producing purposes. This warranty is void if the product has been used for rental purposes.

## WARRANTY PERIOD

Item	Consumer Use	Commercial Use
Garden Tool	5 years	1 year
Battery and Charger	3 years	45 days

### What are the limits on Manufacturer's Liability?

A. THE MANUFACTURER SHALL NOT BE LIABLE FOR ANY INCIDENTAL OR CONSEQUENTIAL DAMAGES OF ANY KIND RESULTING FROM THE PURCHASE, USE OR MISUSE OF, OR INABILITY TO USE THE PRODUCT INCLUDING INCIDENTAL, SPECIAL, CONSEQUENTIAL OR SIMILAR DAMAGES OR LOSS OF PROFITS, OR FOR ANY CLAIM BROUGHT AGAINST PURCHASER BY ANY OTHER PARTY. THERE ARE NO EXPRESS WARRANTIES OTHER THAN THOSE SET FORTH HEREIN. ANY WARRANTY IMPLIED BY STATE LAW (WHETHER OF MERCHANTABILITY OR FITNESS FOR A PARTICULAR USE OR OTHERWISE) SHALL BE EFFECTIVE FOR ANY PRODUCT ONLY FOR THE DURATION OF THE APPLICABLE LIMITED WARRANTY PERIOD LISTED ABOVE. SOME STATES OR JURISDICTIONS DO NOT ALLOW THE EXCLUSION OR LIMITATION OF INCIDENTAL OR CONSEQUENTIAL DAMAGES OR LIMITATIONS ON HOW LONG AN IMPLIED WARRANTY LASTS, SO THE ABOVE LIMITATIONS OR EXCLUSION MAY NOT APPLY TO YOU. THIS WARRANTY GIVES YOU SPECIFIC LEGAL RIGHTS, AND YOU MAY ALSO HAVE OTHER RIGHTS THAT VARY FROM STATE TO STATE OR JURISDICTION TO JURISDICTION. PLEASE DO NOT RETURN THIS PRODUCT TO THE PLACE OF PURCHASE.

B. This warranty applies only to products which have been properly assembled, adjusted, operated, and maintained in accordance with the instructions furnished.

C. This warranty does not apply to any product which has been subjected to alteration, misuse, abuse, improper assembly or installation, delivery damage, or to normal wear of the product.

D. This warranty does not cover normal wear of parts or damage resulting from any of the following: negligent use or misuse of the product, use on improper voltage or current, use contrary to the operating instructions, disassembly, repair or alteration by anyone other than an authorized service dealer. Further, the warranty does not cover: Acts of God, such as fire, flood, hurricanes and tornadoes.

#### Duties of the Consumer

A. Keep the original sales receipt for the length of the limited warranty time period as proof of purchase. Proof of purchase is required to obtain warranty. Manufacturer reserves the right to request a copy of the receipt to verify limited warranty coverage in the event a warranty repair is made to the product.

B. Use reasonable care in the maintenance, operation, and storage of the product as explained in the operators manual.

C. Transportation charges on product or parts submitted for repair or replacement under this warranty must be paid by the purchaser unless such repair or replacement is requested by the manufacturer.

#### Duties of the Manufacturer

A. Any defective product or part covered by this limited warranty will be repaired or replaced at the option of the Manufacturer.

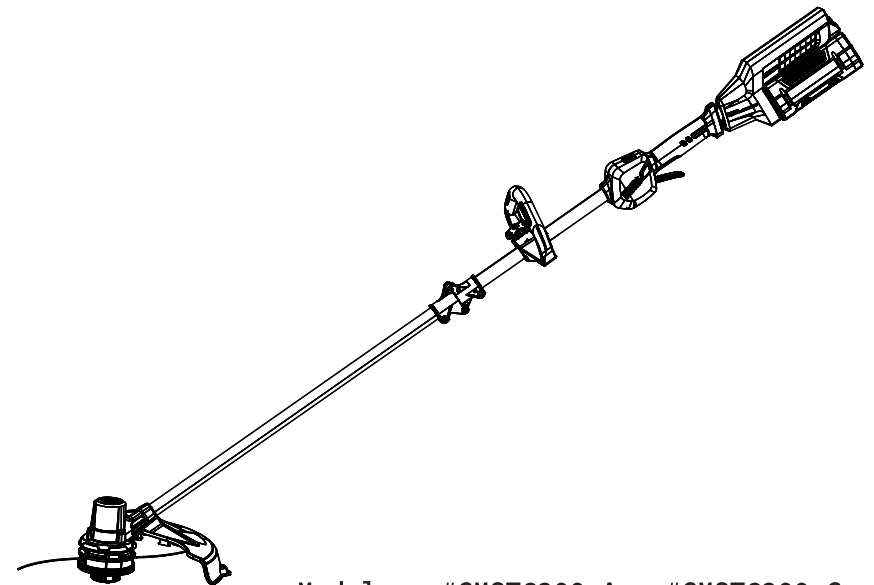
B. Product failures covered by this limited warranty will be scheduled and repaired according to the normal workflow of the Authorized Service Dealer to whom the product is delivered for service depending upon the availability of replacement parts or products.

**GREEN** ★  
**MACHINE**®



Manual del operador

# DESMALEZADORA INALÁMBRICA DE 62V



Modelos: #GMST6200-A #GMST6200-C

**⚠ ADVERTENCIA:** Para reducir el riesgo de lesiones, el usuario debe leer y comprender el manual del operador antes de usar este producto. Guarde estas instrucciones para referencia futura.

LÍNEA DE AYUDA GRATUITA: (800)541-7027

# 1 REGLAS GENERALES DE SEGURIDAD

## CONTENIDO

Sección 1	<b>Reglas generales de seguridad</b> .....	<b>3</b>
Sección 2	<b>Diagrama de las piezas</b> .....	<b>10</b>
Sección 3	<b>Detalles técnicos</b> .....	<b>11</b>
Sección 4	<b>Desembalaje</b> .....	<b>12</b>
Sección 5	<b>Ensamblaje</b> .....	<b>13</b>
Sección 6	<b>Operación</b> .....	<b>16</b>
Sección 7	<b>Cómo ajustar la longitud de la línea de corte</b> ...	<b>18</b>
Sección 8	<b>Mantenimiento</b> .....	<b>20</b>
Sección 9	<b>Solución de problemas</b> .....	<b>24</b>
Sección 10	<b>Garantía limitada</b> .....	<b>26</b>

**POR FAVOR LEA TODAS LAS INSTRUCCIONES antes de operar la máquina.** Las instrucciones de seguridad de este manual están diseñadas para proteger su seguridad y guiar el uso de la desmalezadora inalámbrica Green Machine®. No leer y comprender la siguiente información puede crear un espacio de trabajo inseguro que podría constituir un riesgo de descarga eléctrica, explosiones, objetos voladores pesados, fuego o reacciones químicas. **Guarde todas las advertencias e instrucciones para referencia futura.**

**NOTA:** El término “herramienta eléctrica” que se utiliza en estas instrucciones se refiere a su desmalezadora inalámbrica que funciona con baterías.

### 1.1 Seguridad Del Área De Trabajo

- **Prepare el espacio de trabajo antes de encender la máquina.** Asegurarse de que haya un espacio de trabajo limpio y bien iluminado debe ser el primer paso para usar la desmalezadora inalámbrica Green Machine®. Utilice dispositivos de extracción y recolección de polvo si están disponibles.

- **Despeje el área antes de cada uso.** Quite todos los objetos como piedras, vidrios rotos, clavos, alambres o cuerdas que puedan ser arrojados o enredarse en el accesorio de corte.

- **Nunca opere la herramienta eléctrica en presencia de líquidos, gases o polvo inflamables.**

- **Mantenga alejados a los niños y espectadores mientras utiliza la herramienta eléctrica.** Al operar lejos de espectadores, está reduciendo el riesgo de lesiones al minimizar el daño potencial a otras personas además de usted. Además, puede evitar distracciones no deseadas que pueden provocar un funcionamiento inseguro.

- **Nunca use la desmalezadora inalámbrica cerca de cables eléctricos.**

- **No usar bajo la lluvia, en lugares húmedos o mojados.**

### 1.2 Seguridad Personal

- **Manténgase alerta y completamente concentrado cuando opere la herramienta eléctrica.** Nunca use la desmalezadora inalámbrica bajo la influencia de alcohol o drogas. También debe evitar usar la herramienta eléctrica cuando se sienta demasiado cansado o enfermo.

- **Vístase apropiadamente.** No use ropa suelta o joyas. Pueden quedar atrapados en las piezas móviles. Use ropa protectora; se recomienda el uso de guantes de trabajo, pantalones largos, camisa de manga larga y calzado de seguridad cuando se trabaja al aire libre. Use una cubierta protectora para el cabello para contener el cabello largo.
- **Utilice siempre el equipo de protección adecuado.** Esto incluye, entre otros, protección para los ojos, máscaras contra el polvo, calzado de seguridad antideslizante, cascos y protección auditiva.
- **Siempre revise la máquina en busca de herramientas externas.** Para evitar lesionarse o dañar la máquina, verifique que todas las llaves de ajuste, herramientas giratorias y otros dispositivos externos estén correctamente desconectados de la desmalezadora Green Machine®.
- **Mantenga el equilibrio al tener una postura y pies firmes.** Asegúrese siempre de la posición de sus pies, especialmente en pendientes o escaleras.
- **Mantenga todas las partes del cuerpo alejadas del hilo de corte.** No intente sacar nada de la máquina mientras está encendida. Asegúrese de que sus manos y cara estén lejos del hilo antes de encender la máquina.
- **No sujete la herramienta eléctrica por ninguna superficie metálica no aislada de la máquina.**
- **Mantenga un agarre firme y estable en la desmalezadora durante su uso.** Nunca intente usar la desmalezadora con una mano.
- **Nunca corra con la herramienta eléctrica, especialmente si está encendida.**
- **Mantenga los estándares de seguridad personal para todos y cada uno de los dispositivos que se utilicen para una tarea.** Esto puede incluir herramientas de recolección de polvo, iluminación y herramientas eléctricas adicionales.
- **Evite un arranque involuntario. Asegúrese de que el interruptor esté en la posición de APAGADO antes de conectarlo al paquete de baterías, levantar o transportar la herramienta.** Llevar herramientas eléctricas con el dedo en el interruptor o dar energía a herramientas eléctricas que tienen el interruptor encendido puede provocar accidentes.
- **No permita que la familiaridad obtenida con el uso frecuente de herramientas le permita volverse complaciente e ignorar los principios de seguridad de las herramientas.** Una acción descuidada puede causar lesiones graves en una fracción de segundo.

## 1.3 Uso Y Cuidado De La Herramienta Eléctrica

- **Utilice use la desmalezadora inalámbrica Green Machine® únicamente si es la**

**herramienta adecuada para el trabajo.** Utilice únicamente los accesorios recomendados por el fabricante.

- **Utilice la herramienta eléctrica, los accesorios y las brocas, etc. de acuerdo con estas instrucciones, teniendo en cuenta las condiciones de trabajo y el trabajo a realizar.** El uso de la herramienta eléctrica para operaciones diferentes a las previstas podría resultar en una situación peligrosa.
- **No utilice la herramienta eléctrica si el interruptor no funciona correctamente.**
- **Apague la herramienta eléctrica y retire la batería antes de realizar cualquier ajuste.** Esto puede incluir limpiar el material atascado, cambiar accesorios, almacenar o reparar el aparato.
- **No permita que personas no familiarizadas con estas instrucciones operen la máquina.**
- **Mantenga la herramienta eléctrica en condiciones adecuadas con un mantenimiento regular.** Verifique la desalineación o el deterioro de las piezas móviles y cualquier otra condición que pueda afectar el funcionamiento de la herramienta eléctrica. Si está dañada, lleve a reparar la herramienta eléctrica antes de usarla.
- **Mantenga los mangos y las superficies de agarre secas, limpias y libres de aceite y grasa.** Los mangos y las superficies de agarre resbaladizos no permiten un manejo y control seguros de la herramienta en situaciones inesperadas.
- **Evite usarla cerca o alrededor del agua.** Asegúrese de que sus manos estén secas y nunca use la herramienta eléctrica bajo la lluvia.
- **Siempre apague la herramienta eléctrica antes de dejarla en el suelo u otra superficie.**
- **No utilice disolventes ni líquidos de limpieza para limpiar el producto.** Utilice un raspador sin filo para quitar el césped y la suciedad.
- **Mantenga el producto fuera del alcance de los niños en todo momento.**
- **Lleve la herramienta eléctrica a que sea reparada por un técnico calificado que utilice solo piezas de repuesto idénticas.** Esto garantizará que se mantenga la seguridad de la herramienta eléctrica.

## 1.4 Uso Y Cuidado De La Herramienta De Batería

- **Verifique que el interruptor de encendido esté en la posición de apagado antes de insertar la batería.** Siempre debe quitar el paquete de baterías y guardar la herramienta inalámbrica de forma segura con el interruptor de encendido en la posición de apagado entre cada uso.



- **Nunca cargue la herramienta eléctrica con el dedo en el interruptor de encendido.**
- **Cargue solo con el cargador Green Machine® provisto para usar con el equipo.**
- **Encienda la desmalezadora inalámbrica únicamente con el paquete de baterías Green Machine®.**
- **Tenga especial cuidado al almacenar el paquete de baterías.** Mantener las baterías alejadas de otros objetos metálicos como clips, monedas, llaves, clavos, tornillos u otros objetos metálicos pequeños garantizará un almacenamiento seguro.
- **Evite cualquier contacto con el líquido que se escurra del paquete de baterías.** El líquido solo se escurrirá del paquete de baterías en casos extremos, pero es importante estar preparado. Si el contacto ocurre accidentalmente, lave el área expuesta con agua inmediatamente. Si el líquido entra en contacto con los ojos, busque atención médica.
- **Evite las temperaturas excesivas.** Si el paquete de baterías se sobrecalienta a 212°F o más, la batería corre el riesgo de explotar. Tenga en cuenta la exposición prolongada al sol intenso o al fuego.
- **Siga todas las instrucciones de carga y no cargue la batería o la herramienta fuera del rango de temperatura especificado en las instrucciones.** La carga incorrecta o a temperaturas fuera del rango especificado puede dañar la batería y aumentar el riesgo de incendio.
- **Nunca dé servicio a los paquetes de baterías dañados.** El servicio de los paquetes de baterías solo debe ser realizado por el fabricante o proveedores de servicio autorizados.

## 1.5 Advertencias De Seguridad Para La Batería Y El Cargador

- **No arroje la batería al fuego.** La pila puede explotar. Consulte los códigos locales para conocer las posibles instrucciones especiales de eliminación. Cuando deseche pilas o baterías secundarias, mantenga las pilas o baterías de diferentes sistemas electroquímicos separadas entre sí.
- **No abra ni mutile la batería.** El electrolito liberado es corrosivo y puede dañar los ojos o la piel. Puede ser tóxico si se ingiere. Además, si el paquete de baterías se ha dañado, trate de desecharlo correctamente y no intente usarlo nuevamente.
- **Tenga cuidado al manipular la batería para no cortocircuitarla con materiales conductores como anillos, pulseras y llaves.** La batería o el conductor pueden sobrecalentarse y provocar quemaduras.
- **Mantenga la batería fuera del alcance de los niños y en el paquete original hasta que esté listo para usarla.**

- **Mantenga las baterías nuevas y usadas fuera del alcance de los niños.**
- **Si el compartimento de la batería no cierra de forma segura, deje de usar el producto y manténgalo alejado de los niños.**
- **No utilice una batería o un aparato que esté visiblemente dañado.**
- **No provoque un cortocircuito en una pila o batería.** No almacene pilas o baterías al azar en una caja o cajón donde puedan cortocircuitarse entre sí o sufrir un cortocircuito debido a materiales conductores.
- **No someta las pilas o baterías a golpes mecánicos.**
- **Mantenga las pilas y baterías limpias y secas.** Limpie los terminales de la batería o pila con un paño limpio y seco si se ensucian.
- **No mantenga las pilas ni las baterías secundarias cargadas cuando no estén en uso.**
- **Retire la batería del equipo cuando no esté en uso.**
- **Utilice la batería solo junto con la herramienta eléctrica.** Esta medida por sí sola protege la batería contra sobrecargas peligrosas.
- **Mantenga el cargador de batería alejado de la lluvia o la humedad.** La penetración de agua en el cargador de batería aumenta el riesgo de descarga eléctrica.
- **No cargue otras baterías.** El cargador de batería es adecuado solo para cargar baterías de iones de litio dentro del rango de voltaje indicado. De lo contrario, existe peligro de incendio y explosión.
- **Mantenga el cargador de batería limpio.** La contaminación puede provocar el peligro de una descarga eléctrica.
- **Antes de cada uso, verifique el cargador de batería, el cable y el enchufe.** Si se detectan daños, no utilice el cargador de batería. Nunca abra el cargador de batería usted mismo. Permita que las reparaciones sean realizadas únicamente por un técnico calificado y utilizando únicamente repuestos originales. Los cargadores de baterías, cables y enchufes dañados aumentan el riesgo de descarga eléctrica.
- **No utilice el cargador de batería sobre superficies fácilmente inflamables (por ejemplo, papel, textiles, etc.) o alrededores.** El calentamiento del cargador de batería durante el proceso de carga puede representar un peligro de incendio.
- **Los niños deben ser supervisados para asegurarse de que no jueguen con el cargador de batería.**

**Este producto utiliza baterías de iones de litio (Li-ion) marcadas con el sello Call2Recycle, que se pueden reciclar en cualquier tienda minorista o instalación de reciclaje de baterías de EE. UU. o Canadá participante en el programa Call2Recycle. Para ubicar un minorista participante o una instalación más cercana a usted, llame al**

877-273-2925 o visite [www.call2recycle.org](http://www.call2recycle.org). Si no puede ubicar un minorista participante o una instalación cercana, consulte a la autoridad local de desechos para obtener información sobre las opciones disponibles de reciclaje y eliminación.



## 1.6 Advertencias Adicionales De Seguridad

Si la máquina está defectuosa o si desea agregar accesorios, visite a un distribuidor certificado para que revise la herramienta eléctrica utilizando repuestos originales Green Machine®. No intente reparar la máquina usted mismo.

**⚠ ADVERTENCIA:** Este producto puede contener plomo, ftalato u otras sustancias químicas conocidas en el estado de California como causantes de cáncer, defectos de nacimiento y otros daños reproductivos. Lávese las manos después usarlo.

- **No fuerce el aparato.** Hará el trabajo mejor y con menos probabilidad de riesgo de lesiones a la velocidad para la que fue diseñado.
- **Siempre sostenga la desmalezadora firmemente, con ambas manos en los mangos, mientras la opera.** Envuelva los dedos y pulgares alrededor de los mangos.
- **No se exceda.** Mantenga la postura y el equilibrio en todo momento.
- **Manténgase alerta.** Use el sentido común. No utilice el aparato cuando esté cansado o bajo la influencia de drogas, alcohol o medicamentos.
- **Cuando no estén en uso, los aparatos deben almacenarse en interiores en lugares secos fuera del alcance de los niños.**
- **Mantenga el aparato con cuidado.** Siga las instrucciones para lubricar y cambiar los accesorios. Mantenga los mangos secos, limpios y libres de aceite y grasa. Siempre quite o desconecte el paquete de baterías antes de ajustar, limpiar, reparar o transportar la podadora de césped.
- **Revise las partes dañadas.** Antes de usar el aparato, asegúrese de que las protecciones de seguridad estén intactas. Nunca use una herramienta sin el protector de seguridad. Verifique la alineación de las partes móviles, la unión de las partes móviles.
- **Compruebe si hay piezas rotas o defectuosas que puedan afectar el funcionamiento seguro de la herramienta.** Una protección u otra pieza que esté dañada debe ser reparada o reemplazada adecuadamente por un centro de servicio autorizado a menos

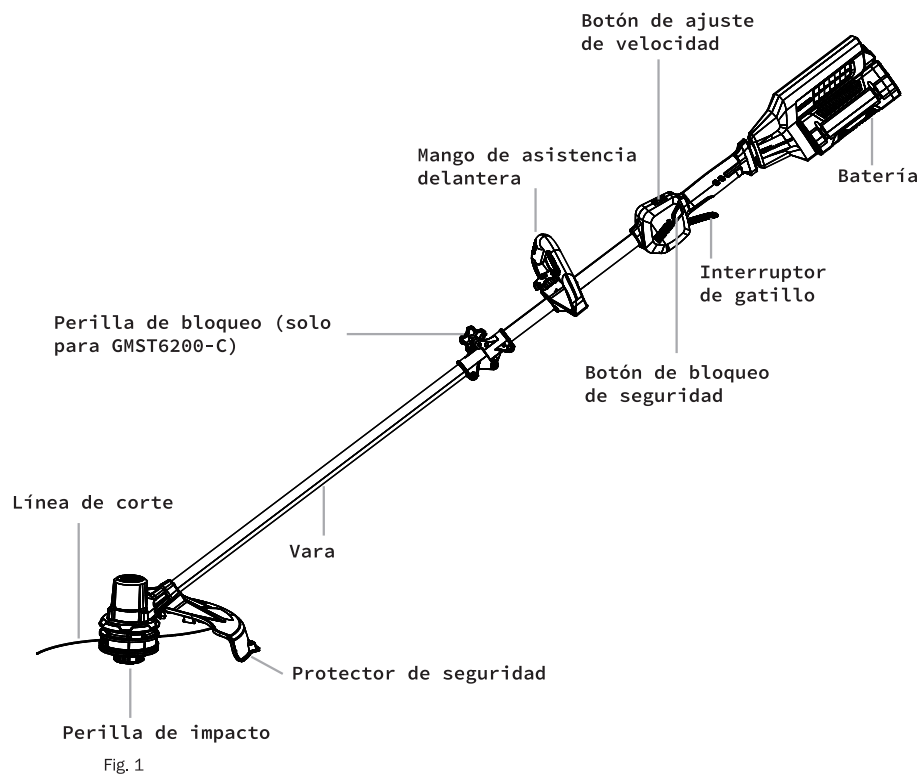
que se indique en otra parte de este manual.

- **Mantenga el hilo de corte afilado y limpio.** El hilo de corte es más fácil de controlar con un mantenimiento adecuado.
- **Nunca use la desmalezadora sin el protector de seguridad.** Verifique que la protección esté intacta antes de operar.
- **No utilice líneas de corte más pesadas que las recomendadas en este manual.**
- **No utilice materiales de línea distintos a los proporcionados.** El alambre de metal, la cuerda y otros materiales no funcionarán correctamente con esta máquina.
- **Esta herramienta no está diseñada para que la utilice ninguna persona con capacidades físicas, sensoriales o mentales reducidas.** Esto incluye a personas con falta de experiencia y conocimiento. Todos los usuarios deben recibir supervisión o instrucciones sobre el uso de este aparato antes de su uso real.
- **Asegúrese siempre de que todos los mangos y protectores estén colocados cuando utilice la máquina.** Nunca intente utilizar una máquina incompleta o equipada con una modificación no autorizada.
- **Espere hasta que la máquina se haya apagado por completo antes de colocarla en el suelo.**
- **En caso de daño y uso inadecuado de la batería, se pueden emitir vapores.** En el caso de emisión de vapores, apague el dispositivo y busque aire fresco lejos de los humos. Busque ayuda médica en caso de complicaciones o sobreexposición a vapores para evitar daños al sistema respiratorio.
- **Utilice la batería solo para alimentar la herramienta eléctrica.** No utilice la batería en otras herramientas ni para ningún otro propósito.

**⚠ ADVERTENCIA:** El uso previsto se describe en este manual. El uso de cualquier accesorio, aditamento o realización de cualquier operación con este aparato que no sean los recomendados en este manual de instrucciones puede presentar un riesgo de lesiones personales y/o daños a la propiedad. El operador o usuario es responsable de todos los accidentes y/o peligros que puedan sufrir otras personas o su propiedad.

### GUARDE ESTAS INSTRUCCIONES

# 2 DIAGRAMA DE LAS PIEZAS



# 3 DETALLES TÉCNICOS

Modelo de desmalezadora inalámbrica	GMST6200-A	GMST6200-C
Voltaje	62Vd.c.	62Vd.c.
Velocidad sin carga	2500-6300rpm	2500-6300rpm
Ancho de corte	14in,16in	14in,16in
Tipo de línea de corte	línea de nylon de Ø 0.0906in (2.3mm)	línea de nylon de Ø 0.0906 in (2.3mm)
Vara	Vara de aluminio	Vara de fibra de carbono
Peso neto	7.3 lbs (3.1 kg)	6.8 lbs (3.0 kg)
Batería	Iones de litio	Iones de litio
<b>Número de modelo de batería</b>	<b>GMBA6200-25</b>	<b>GMBA6200-25</b>
Voltaje	62 Vd.c.	62 Vd.c.
Capacidad	2.5Ah/135Wh	2.5Ah/135Wh
Número de pilas de batería	15 piezas	15 piezas
<b>Número de modelo del cargador de batería</b>	<b>GMBC6200</b>	<b>GMBC6200</b>
Entrada	100-120Va.c., 60Hz	100-120Va.c., 60Hz
Salida	62Vd.c,4A	62Vd.c,4A
Rango de temperatura de carga	32 - 104°F (0-40 °C)	32 - 104°F (0-40 °C)
Cartucho de repuesto PN	GMA-H (2205100003A)	
Línea de hilo de repuesto PN	GMA-L079(2013900242) GMA-L0906(2013900243)	

# 4 DESEMBALAJE

**!** **¡ADVERTENCIA!** No intente ensamblar o utilizar este producto sin todas las piezas necesarias. Si falta alguna pieza, comuníquese con nuestra línea de ayuda al (800) 541-7027 y espere la llegada de las piezas faltantes. El uso de este producto con partes dañadas o faltantes podría resultar en lesiones personales graves.

1. Retire con cuidado la herramienta y todos los accesorios de la caja.
2. Inspeccione la herramienta con cuidado para asegurarse de que no haya ocurrido ningún daño durante el transporte.
3. Una vez que haya confirmado que la herramienta está completa y funcionando, deseché todos los materiales de embalaje utilizando prácticas responsables de reciclaje y eliminación.

## LISTA DE PRODUCTOS

- Desmalezadora inalámbrica Green Machine®
- Protector de seguridad
- Conjunto de mango de asistencia delantera
- Paquete de batería 62V
- Cargador de batería
- Manual del operador

# 5 ENSAMBLAJE

**!** **¡ADVERTENCIA!** Antes de ensamblar, asegúrese de que el aparato esté apagado y la batería extraída.

**!** **PRECAUCIÓN:** Peligro de explosión si la batería es reemplazada incorrectamente. Reemplace sólo con el mismo tipo o equivalente.

## 5.1 Ensamblaje De La Vara

**!** **¡ADVERTENCIA!** Antes de ensamblar, asegúrese de que el aparato esté apagado y la batería extraída.

**!** **PRECAUCIÓN:** Peligro de explosión si la batería es reemplazada incorrectamente. Reemplace sólo con el mismo tipo o equivalente.

1. Despliegue con cuidado la vara de la desmalezadora sobre una superficie plana. Tome nota para asegurarse de que el cable esté metido dentro la vara para que no se pellizque al cerrar las juntas.
2. Bloquee la vara con la llave y los pernos provistos (en la GMST6200-A, Fig. 2A-B) o con la perilla de bloqueo (en la GMST6200-C, Fig. 2C-D).

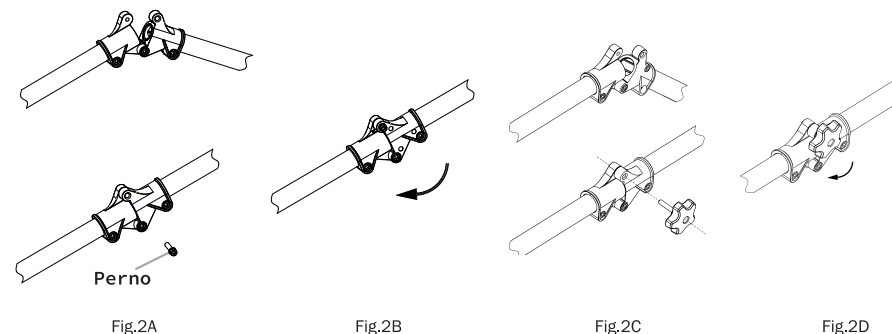


Fig.2A

Fig.2B

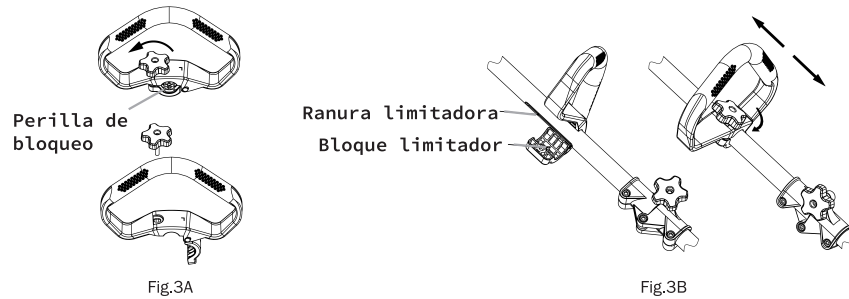
Fig.2C

Fig.2D

## 5.2 Ensamblaje Del Mango De Asistencia Delantera

- 1.Desatornille la perilla de bloqueo de la manija de asistencia delantera. (Fig. 3A)
- 2.Coloque la manija de asistencia delantera en la vara superior de la desmalezadora. Asegúrese de que el bloque limitador encaje en la ranura designada. (Fig. 3B)
- 3.Mueva la manija de asistencia delantera hacia arriba o hacia abajo hasta la posición deseada, luego apriete completamente la perilla para sujetarla en su lugar (Fig. 3B)

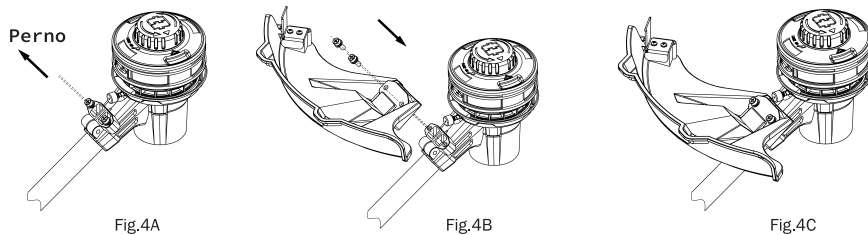
**NOTA:** No apriete demasiado la perilla de bloqueo.



## 5.3 Ensamblaje Del Protector

**⚠ ¡ADVERTENCIA!** Nunca use la herramienta a menos que el protector esté bien colocado.

- 1.Desatornille y retire los pernos y arandelas de la protección. (Fig. 4A)
- 2.Levante el cabezal de la desmalezadora y colóquelo hacia abajo. Alinee los dos orificios de montaje en el protector con los dos orificios de montaje en la base de la vara. Asegúrese de que la superficie interna del protector mire hacia el cabezal de corte. (Fig. 4B)
- 3.Asegure el protector en su lugar y atornille los pernos con las arandelas (Fig. 4C).

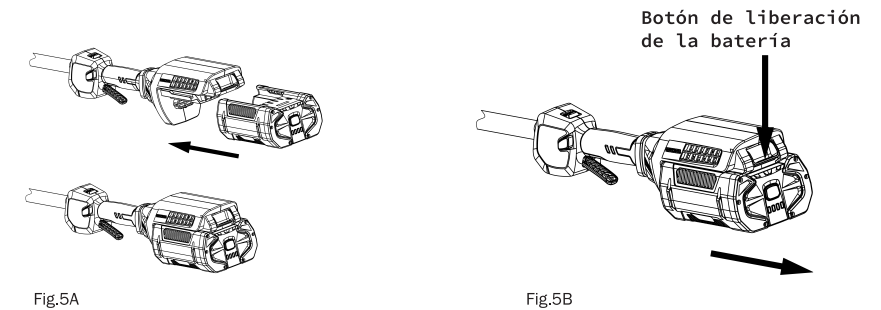


## 5.4 Cómo Instalar El Paquete De Baterías

- 1.Conecte el paquete de baterías al cargador. La batería debe estar completamente cargada antes del primer uso del cortasetos inalámbrico.
- 2.Verifique que el interruptor de encendido esté en “apagado”.
- 3.Alinee las nervaduras del paquete de baterías con las ranuras de montaje en el puerto de la batería del cortasetos. Inserte la batería en el soporte de la batería. (Fig. 5A)
- 4.Asegúrese de que el pestillo encaje en su lugar y que la batería esté asegurada.

## 5.5 Cómo Retirar El Paquete De Baterías

1. Apague la desmalezadora.
2. Presione el botón de liberación de la batería para desenganchar la batería del pestillo. (Fig. 5B)
3. Retire la batería.



# 6 OPERACIÓN

- ⚠ **¡ADVERTENCIA!** Siempre tenga cuidado al usar esta máquina sin importar su nivel de experiencia.
- ⚠ **¡ADVERTENCIA!** Siempre use protección para los ojos junto con protección para los oídos.
- ⚠ **¡ADVERTENCIA!** Antes de cada uso, inspeccione todo el producto en busca de piezas dañadas, faltantes o sueltas. Apriete todos los sujetadores y no opere este producto hasta que se hayan reemplazado todas las piezas faltantes o dañadas.
- ⚠ **¡ADVERTENCIA!** No intente modificar este producto ni crear sus propios accesorios. Cualquier alteración o modificación podría resultar en condiciones peligrosas que posiblemente conduzcan a lesiones personales graves.

## 6.1 Encender/ Apagar La Desmalezadora

- ⚠ **¡ADVERTENCIA!** Evite trabajar en exceso o usar en exceso la herramienta eléctrica. Utilice la herramienta según lo previsto para evitar daños a la máquina o a usted mismo.
- ⚠ **¡ADVERTENCIA!** Encienda el motor solo cuando sus manos y pies estén alejados de las piezas de corte.

1. Póngase de pie y sostenga la desmalezadora según lo diseñado. Coloque una mano en cada mango. Asegúrese de que la máquina no toque el suelo ni ningún otro objeto.
2. Presione el botón de bloqueo de seguridad y luego presione el gatillo interruptor para encender la desmalezadora. (Fig. 6)
3. Suelte el gatillo interruptor para apagar la desmalezadora.

**NOTA:** El cabezal de corte continúa girando durante unos segundos después de que se apaga el motor.

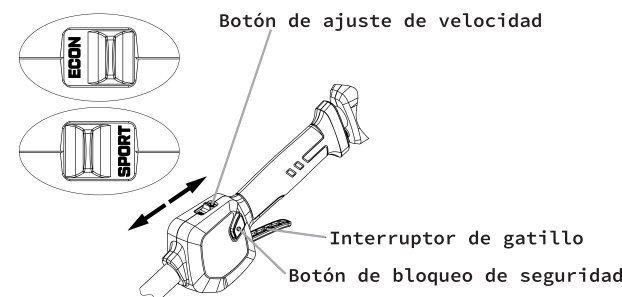


Fig.6

## 6.2 Ajusta La Velocidad De La Desmalezadora

1. La velocidad de rotación de la línea de corte de la desmalezadora inalámbrica Green Machine® se puede ajustar con el botón de ajuste de velocidad.
2. Presione el botón "SPORT" para uso a alta velocidad y el botón "ECON" para baja velocidad. (Fig. 6)
3. Ajuste la velocidad para adaptarse a la tarea. No trabaje demasiado la máquina.

## 6.3 Usar La Desmalezadora

1. Utilice siempre la máquina con el accesorio de corte paralelo al suelo. La vara de la desmalezadora debe estar a un ángulo de aproximadamente 35° del suelo.
2. Al encenderla, sostenga la máquina a una distancia segura del suelo. Una vez que el motor ha arrancado, puede comenzar a cortar.
3. Mueva lentamente la desmalezadora de izquierda a derecha para obtener mejores resultados.
4. No fuerce la desmalezadora. La hierba alta debe cortarse en capas, comenzando de arriba a abajo en pequeños incrementos.
5. No corte césped húmedo o mojado.
6. Evite golpear el hilo de la podadora contra objetos duros (piedra, paredes, vallas, etc.). Esto desgastará la línea y disminuirá la longevidad de la máquina.
7. Evite árboles y arbustos. La corteza de los árboles, las molduras de madera, los revestimientos y los postes de las cercas se pueden dañar fácilmente y crear metralla voladora peligrosa.

**NOTA:** Una fuerza excesiva o golpear el cabezal de impacto de la desmalezadora contra el suelo para hacer avanzar la línea de corte dañará el cabezal de impacto.

# 7 CÓMO AJUSTAR LA LONGITUD DE LA LÍNEA DE CORTE

## 7.1 Cambio De La Hoja De Corte

Esta desmalezadora está equipada con una cuchilla de corte de hilo en el protector. La cuchilla de corte de hilo corta continuamente el hilo para asegurar un diámetro de corte uniforme y eficiente. Avance la línea siempre que escuche que el motor funciona más rápido de lo normal o cuando disminuya la eficiencia del recorte. Esto asegurará el mejor rendimiento posible y mantendrá la línea lo suficientemente larga para avanzar correctamente.

Esta desmalezadora viene ajustada a un diámetro de corte de 14 pulgadas. Para ajustar a una franja de corte de 16 pulgadas:

1. Retire la batería de la desmalezadora.
2. Quite ambos tornillos de la cuchilla de corte con una llave hexagonal. (Fig. 7A)
3. Gire la cuchilla de corte en 180°. (Fig. 7A/Fig. 7B)
4. Vuelva a montar ambos tornillos en la cuchilla. (Fig. 7B)

**Nota:** Ajuste la cuchilla de corte a 14 pulgadas para un mayor tiempo de ejecución. Ajuste la cuchilla de corte a 16 pulgadas para un área de corte mayor.

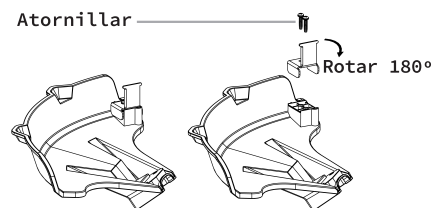


Fig. 7A

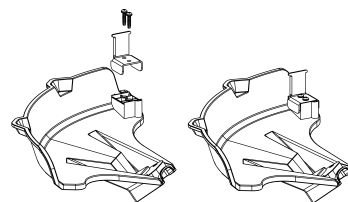


Fig. 7B

## 7.2 Avance De La línea De Corte

La desmalezadora inalámbrica Green Machine® ofrece la capacidad de soltar el hilo de corte mientras el motor está funcionando. Simplemente toque la perilla de impacto en el suelo para liberar la línea deshilachada o gastada. (Fig. 8). Verifique regularmente el estado de la línea y libérela según sea necesario para evitar fallas o sobrecalentamiento de la máquina.

**⚠ ¡ ADVERTENCIA!** No retire ni altere el conjunto de la cuchilla cortadora de hilo. La longitud excesiva de la línea hará que el motor se sobrecaliente y puede resultar en lesiones personales graves.

**PRECAUCIÓN:** Para obtener los mejores resultados, toque la perilla de golpe en suelo desnudo o suelo duro. Evite hacerlo en áreas con césped alto, que puede quedar atrapado en la línea de corte. Mantenga siempre la línea de corte completamente extendida. La liberación de la línea se vuelve más difícil a medida que la línea de corte se acorta.

**⚠ ¡ ADVERTENCIA!** No aplique una fuerza excesiva ni golpee el cabezal de impacto de la desmalezadora contra el suelo. Si la línea de corte no avanza después de tocar el cabezal de impacto, es posible que la línea de corte se haya acabado. Alternativamente, la línea de corte puede enredarse. Saque la batería y apague la máquina antes de verificar si la línea se ha enredado.

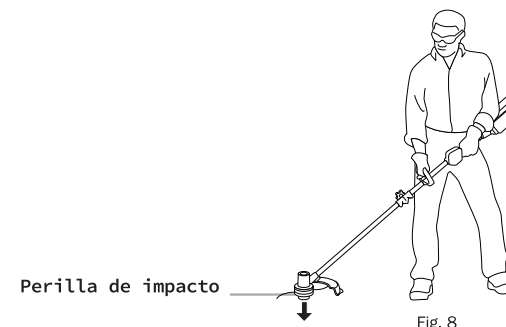


Fig. 8

# 8 MANTENIMIENTO

**⚠ ADVERTENCIA:** Apague el producto y retire la batería de la máquina antes de ajustarla, almacenarla o limpiarla.

1. Para reparaciones y servicio, trabaje con un distribuidor de servicio autorizado, que se puede localizar llamando al 800-541-7027.

2. Utilice únicamente las piezas de repuesto y los accesorios recomendados por el fabricante.

## 8.1 Reemplazar La línea

**⚠ AVISO:** Este modelo utiliza una línea de nylon con un diámetro de 0,0906 pulgadas (2.3 mm). Se recomienda un hilo de nylon estándar con un diámetro de entre 0,063 y 0,095 pulgadas (1,6 mm-2,4 mm) como reemplazo.

**⚠ ADVERTENCIA:** Nunca utilice una línea que no haya sido aprobada para esta máquina. La línea, el alambre y la cuerda reforzados con metal no funcionarán correctamente con la máquina.

**NOTA:** La línea de corte mide aproximadamente 4,4 yardas (4 m) de longitud.

1. Alinee la flecha de la perilla de impacto con la del cartucho de carrete. (Fig. 9A)

2. Inserte la línea de corte en el ojal que marca "LINE IN" en el carrete. (Fig. 9A)

3. El final de la línea aparece en el ojal opuesto del carrete. Tira de ambos extremos de la línea hasta que tengan la misma longitud. (Fig. 9B)

4. Sostenga el cartucho de línea con una mano y gire la perilla en sentido en el sentido contrario de las agujas del reloj con la otra mano, hasta que ambos extremos tengan aproximadamente 6 pulgadas de largo. (Fig. 9B / Fig. 9C)

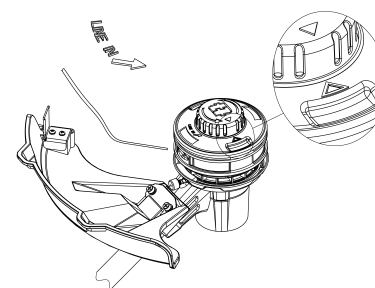


Fig.9A

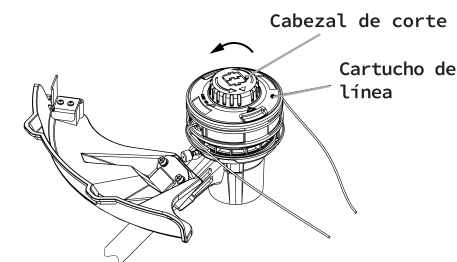


Fig.9B

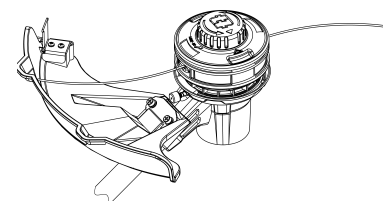


Fig.9C

## 8.2 Ensamblaje De La línea De Corte

1. Si la línea de corte está atascada dentro del cartucho, separe el cartucho y vuelva a ensamblar la línea de corte.

2. Presione el pestillo de liberación de la tapa en la tapa y sáquelo del portacarrete (Fig. 10).

3. Retire el cartucho de línea y saque la línea del cartucho.

4. Vuelva a montar el cartucho y monte la línea de corte como se describe en la parte 8.1.

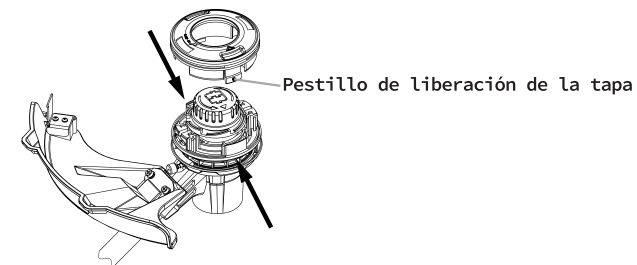


Fig.10



## 8.3 Reemplazar El Cabezal De Corte

- 1.El cartucho de hilo de la desmalezadora es totalmente desechable. Si el cartucho se ha dañado, separe el cabezal de corte y asegúrese de desecharlo correctamente. A continuación, puede colocar un cartucho de repuesto (PN: GMA-H).
- 2.Presione el pasador de bloqueo y gire el cartucho en el sentido contrario de las agujas del reloj para quitarlo. (Fig. 11A / Fig. 11B)
- 3.Presione el pasador de bloqueo y gire el cabezal de corte en el sentido de las agujas del reloj para ensamblarlo. (Fig. 11C)

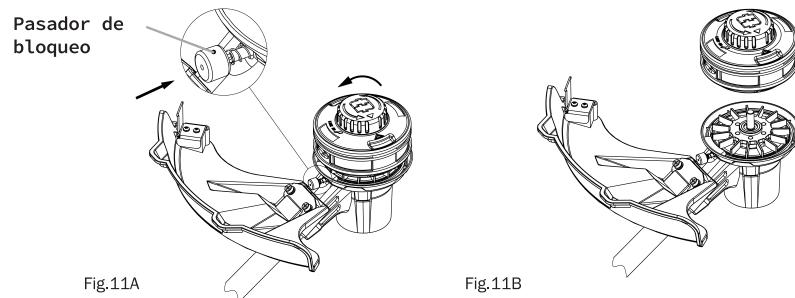


Fig.11A

Fig.11B

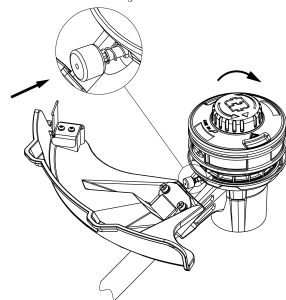


Fig.11C

## 8.4 Limpiar La Desmalezadora

- 1.Apague la máquina y retire la batería.
- 2.Quite el césped que pueda haberse enrollado alrededor del eje del motor o del cabezal de la desmalezadora.
- 3.Utilice un cepillo pequeño o una aspiradora pequeña para limpiar las rejillas de ventilación de la carcasa trasera.
- 4.Limpie el exterior de la máquina con un paño húmedo con un detergente suave.

- 5.No use ningún detergente fuerte en la carcasa de plástico o el mango. Pueden resultar dañados por ciertos aceites aromáticos, como el pino y el limón, y por disolventes como el queroseno.
- 6.Seque completamente la máquina antes de usarla. Una máquina húmeda presenta un peligro de descarga.

## 8.5 Almacenamiento

- 1.Apague la máquina y retire la batería.
- 2.Limpie la herramienta siguiendo las instrucciones anteriores.
- 3.Guarde la unidad en un área seca y bien ventilada fuera del alcance de los niños. No almacene la máquina cerca de fertilizantes, gasolina u otros productos químicos.

# 9 SOLUCIÓN DE PROBLEMAS

La siguiente tabla enumera los síntomas del problema, las posibles causas y las acciones correctivas, si su producto de jardinería no funciona correctamente. Si estos no identifican y corrigen el problema, comuníquese con nuestra línea de ayuda al 800-541-7027.

**⚠ ADVERTENCIA:** Apague y retire la batería antes de solucionar cualquier problema.

PROBLEMA	CAUSA PROBABLE	ACCIÓN CORRECTIVA
El aparato no enciende	La batería no está asegurada	Para asegurar la batería, asegúrese de que encaje en su lugar.
	La batería no está cargada	Cargue la batería de acuerdo con las instrucciones.
	Posibles problemas de cableado o contacto eléctrico	Retire la batería, verifique los contactos y vuelva a instalar la batería.
El aparato se detiene mientras corta	Se instaló una línea de corte pesada incorrecta	Reemplace con una línea de corte de nylon estándar.
	El motor está sobrecargado	Retire el cabezal de corte del césped. El motor comenzará a funcionar tan pronto como se retire la carga. Al cortar, mueva el cabezal de corte dentro y fuera del césped que se va a cortar y no quite más de 8 pulgadas de largo en un solo corte.
	La batería o la desmalezadora están demasiado calientes	Deje que la batería o la desmalezadora se enfríen.
	La batería está desconectada	Vuelva a instalar la batería.
	La batería no está cargada	Cargue la batería de acuerdo con las instrucciones.

El cabezal de corte no avanza la línea	El eje del motor o el cabezal de corte están obstruidos con hierba	Detenga la desmalezadora, retire la batería y limpie el eje del motor y el cabezal de corte.
	No hay suficiente hilo en el carrete	Retire la batería y reemplace la línea de corte; siga la sección "REEMPLAZAR LA LÍNEA" de este manual
	El cabezal de corte está sucio	Retire la batería y limpie el cabezal de corte.
	La línea está enredada en el carrete	Retire la batería, retire el hilo del carrete y rebobine, siga la sección "ENSAMBLAJE DE LA LÍNEA DE CORTE" de este manual
La línea no corta bien	La línea está dentro del cartucho de línea	Retire la batería, retire el hilo del carrete y rebobine, siga la sección "ENSAMBLAJE DE LA LÍNEA DE CORTE" de este manual
	La hoja de corte de hilo se ha desafilado	Afile la cuchilla de hilo con una lima o reemplácela por una nueva.
El retenedor del carrete se afloja después de que se fija en su posición o cae durante el corte	El cabezal de corte está desgastado	Reemplace el cabezal de corte inmediatamente; siga la sección "REEMPLAZAR EL CABEZAL DE CORTE" de este manual

# 10 COBERTURA DE GARANTÍA LIMITADA

**El fabricante garantiza que reparará o reemplazará, sin cargo, cualquier falla debido a defectos en los materiales o mano de obra o ambos que ocurran durante el período de garantía aplicable, sujeto a las exclusiones y limitaciones establecidas en los siguientes párrafos. La cobertura de la garantía limitada solo se aplica a los productos Green Machine que se compran en un minorista autorizado de Green Machine ubicado en los Estados Unidos, los territorios de los EE. UU. o Canadá. Esta garantía estará vigente y sujeta a los períodos de tiempo y las condiciones que se indican a continuación. Para el servicio de garantía, el comprador debe poner el producto a disposición del distribuidor de servicio autorizado más cercano, que puede encontrar comunicándose con la línea de ayuda al 800-541-7027.**

#### **Personas cubiertas por esta garantía limitada**

Esta garantía es válida para el comprador minorista original a partir de la fecha de compra minorista inicial y no es transferible.

#### **“Uso del consumidor”**

“Uso del consumidor” significa el uso doméstico residencial personal por parte de un consumidor minorista.

#### **“Uso comercial”**

“Uso comercial” significa usos con fines comerciales y de producción de ingresos. Esta garantía es nula si el producto se ha utilizado con fines de alquiler.

## PERÍODO DE GARANTÍA

Producto	Uso del consumidor	Uso comercial
Herramienta de jardinería	5 años	1 año
Batería y cargador	3 años	45 días

#### **¿Cuáles son los límites de la Responsabilidad del Fabricante?**

A. EL FABRICANTE NO SERÁ RESPONSABLE DE NINGÚN DAÑO INCIDENTAL O CONSECUENTE DE NINGÚN TIPO QUE RESULTEN DE LA COMPRA, USO O MAL USO O INCAPACIDAD DE USAR EL PRODUCTO, INCLUYENDO DAÑOS INCIDENTALES, ESPECIALES, CONSECUENTES O SIMILARES, O PÉRDIDA DE BENEFICIOS CONTRA EL COMPRADOR POR CUALQUIER OTRA PARTE. NO HAY GARANTÍAS EXPRESAS DISTINTAS A LAS ESTABLECIDAS AQUÍ. CUALQUIER GARANTÍA IMPLÍCITA POR LA LEY ESTATAL (YA SEA DE COMERCIABILIDAD O APTITUD PARA UN USO PARTICULAR O DE OTRA MANERA) SERÁ EFECTIVA PARA CUALQUIER PRODUCTO SOLO DURANTE LA DURACIÓN DEL PERÍODO DE GARANTÍA LIMITADA APLICABLE QUE SE DESCRIBE ANTERIORMENTE. ALGUNOS ESTADOS O JURISDICCIONES NO PERMITEN LA EXCLUSIÓN O LIMITACIÓN DE DAÑOS INCIDENTALES O CONSECUENTES O LIMITACIONES SOBRE LA DURACIÓN DE UNA GARANTÍA IMPLÍCITA, POR LO QUE LAS LIMITACIONES O EXCLUSIONES ANTERIORES PUEDEN NO APLICARSE EN SU CASO. ESTA GARANTÍA LE OTORGA DERECHOS LEGALES ESPECÍFICOS Y TAMBIÉN PUEDE TENER OTROS DERECHOS QUE VARÍAN DE ESTADO A ESTADO O DE JURISDICCIÓN A JURISDICCIÓN. NO DEVUELVA ESTE PRODUCTO AL LUGAR DE COMPRA.

B. Esta garantía se aplica solo a los productos que se han ensamblado, ajustado, operado y mantenido correctamente de acuerdo con las instrucciones proporcionadas.

C. Esta garantía no se aplica a ningún producto que haya sido sometido a alteraciones, mal uso, abuso, ensamblaje o instalación inadecuados, daños en la entrega o desgaste normal del producto.

D. Esta garantía no cubre el desgaste normal de piezas o daños resultantes de cualquiera de los siguientes: uso negligente o mal uso del producto, uso con voltaje o corriente inadecuados, uso contrario a las instrucciones de operación, desmontaje, reparación o alteración por cualquier persona que no sea un distribuidor de servicio autorizado. Además, la garantía no cubre: Actos de fuerza mayor, como incendios, inundaciones, huracanes y tornados.

#### **Deberes del consumidor**

A. Conservar el recibo de compra original durante el período de garantía limitada como prueba de compra. Se requiere el comprobante de compra para obtener garantía. El fabricante se reserva el derecho de solicitar una copia del recibo para verificar la cobertura de la garantía limitada en caso de que se realice una reparación en garantía del producto.

B. Tener un cuidado razonable en el mantenimiento, operación y almacenamiento del producto como se explica en el manual del operador.

C. Los gastos de transporte del producto o las piezas enviadas para reparación o reemplazo bajo esta garantía deben ser pagados por el comprador a menos que el fabricante solicite dicha reparación o reemplazo.

**Deberes del fabricante**

A. Cualquier producto o pieza defectuoso cubierto por esta garantía limitada será reparado o reemplazado a opción del fabricante.

B. Las fallas del producto cubiertas por esta garantía limitada se programarán y repararán de acuerdo con el flujo de trabajo normal del distribuidor de servicio autorizado a quien se le entrega el producto para su reparación, dependiendo de la disponibilidad de piezas de repuesto o productos.