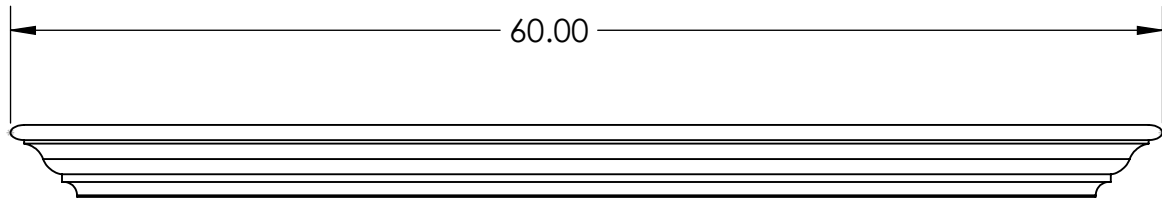
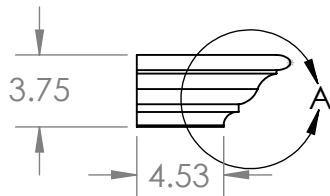


2

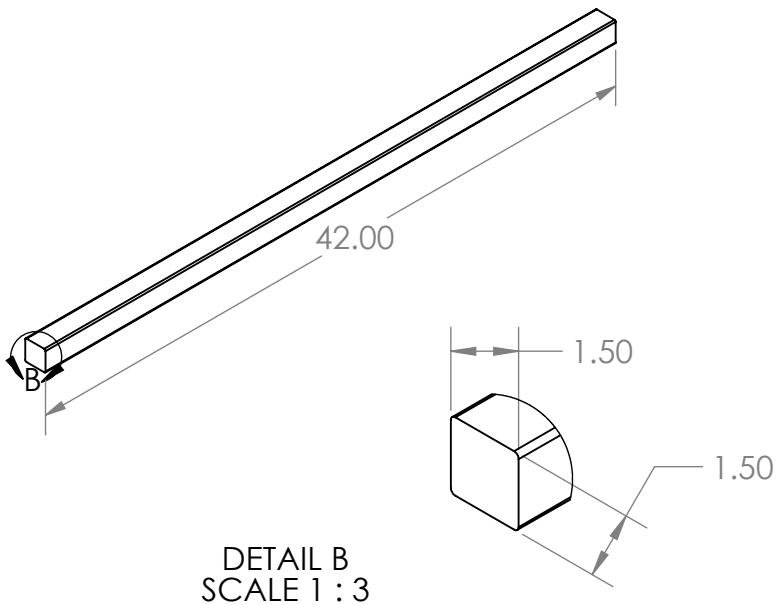
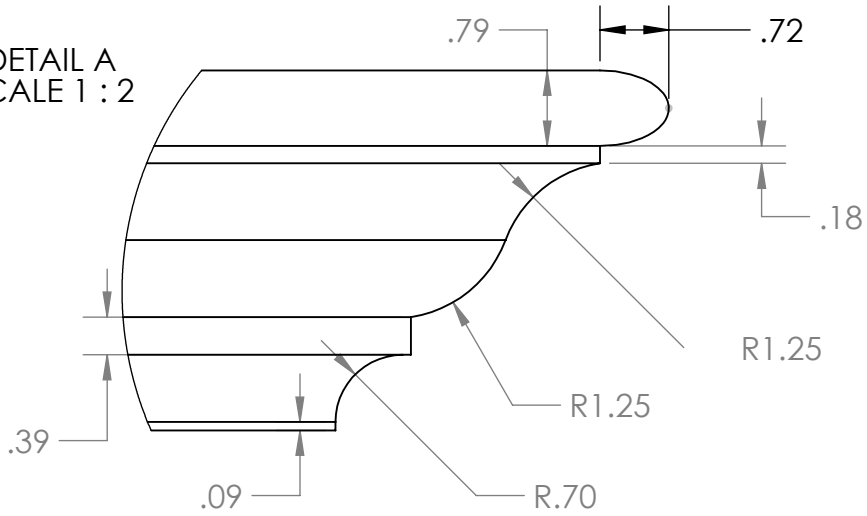
1



B

B

DETAIL A
SCALE 1 : 2

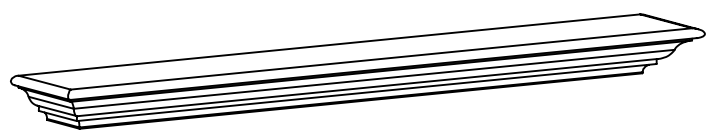


DETAIL B
SCALE 1 : 3

A

A

ISOMETRIC VIEW



UNLESS OTHERWISE SPECIFIED:

DIMENSIONS ARE IN INCHES
TOLERANCES:
CRITICAL ±0.01
NON-CRITICAL ±0.02
ANGULAR ±1°

MATERIAL
STAIN GRADE POPLAR

FINISH

DO NOT SCALE DRAWING

	NAME	DATE
DRAWN	J. COX	7/7/20
CHECKED		
ENG APPR.		
MFG APPR.		
Q.A.		

PROPRIETARY AND CONFIDENTIAL

THE INFORMATION CONTAINED IN THIS DRAWING IS THE SOLE PROPERTY OF EVERMARK. ANY REPRODUCTION IN PART OR AS A WHOLE WITHOUT THE WRITTEN PERMISSION OF EVERMARK IS PROHIBITED.

EVERMARK - LNL

TITLE:
**TRADITIONAL POPLAR
STAIN 60" MANTEL WITH
MOUNTING BOARD**

SIZE	DWG. NO.	REV
A	TRADP-60MTL	1

SCALE: 1:16 WEIGHT: SHEET 1 OF 1

2

1