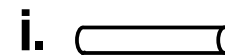
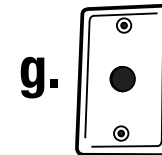
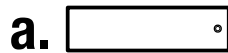


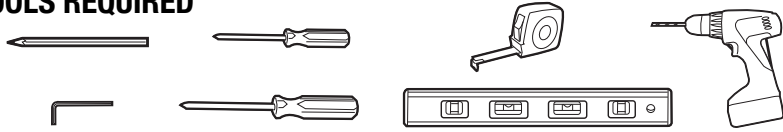
### METROPOLITAN PARTS LIST

ITEM	PART#	DESCRIPTION	QUANTITY
a.	0005-58120-0000	Tube standoff, mounting, square, stainless SM	4
b.	0005-51220-0000	Screw, set, M5/6, socket	4
c.	0005-58200-0000	Screw, cross, pan head, M5*12	4
d.	0005-57500-0001	Anchor, drywall	4
e.	0005-58120-0001	Bracket, wall mount	4
f.	0005-51200-0000	Screw, cross, countersunk, 2*40	4
g.	0005-51820-0000	Wallplate, stainless, with grommet and ground	1
h.	0005-51200-0001	Screw wallplate, stainless 6/32	2
i.	0005-58820-0000	Tube, stainless, round, electrical	1
j.	0005-51900-0000	Wrench, hex, 2.5	1
n/a	AK05-58020-0000	Parts kit assembly, SM	1



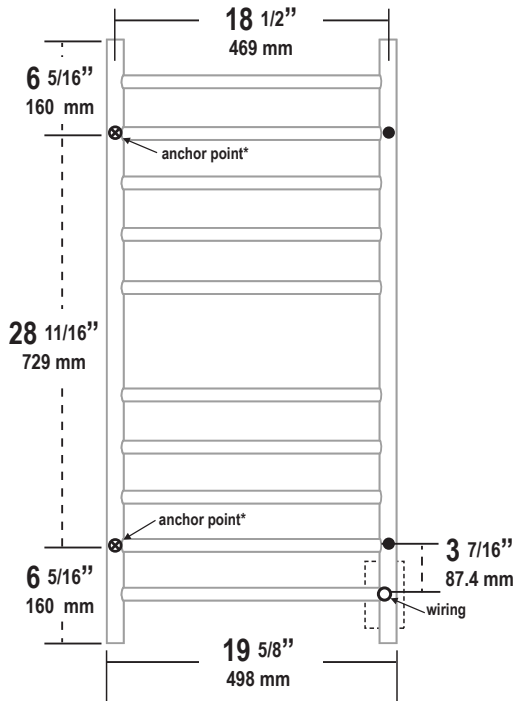
1-2.

**TOOLS REQUIRED**

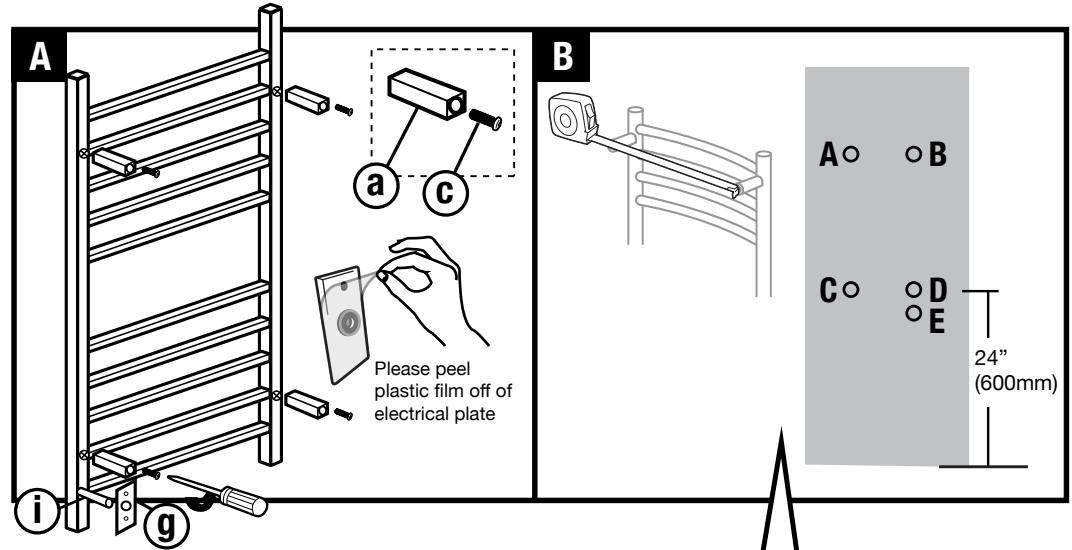


**INSTALLATION INSTRUCTIONS**

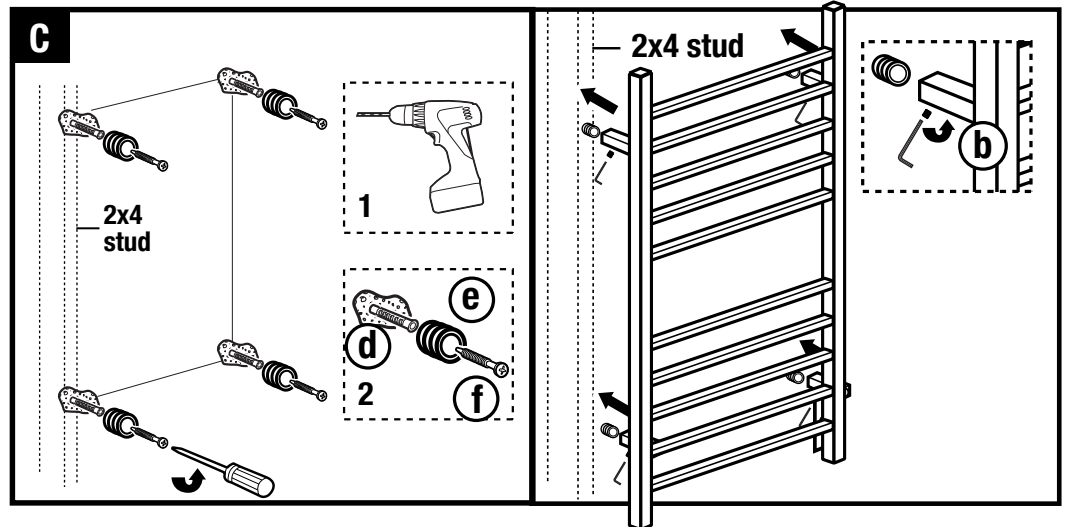
- Read all instructions carefully before you begin installation.
- Installation should be completed by a qualified person.
- WarmlyYours recommends mounting the left vertical rail mounts to a stud.
- Please dispose of packaging in a responsible manner.



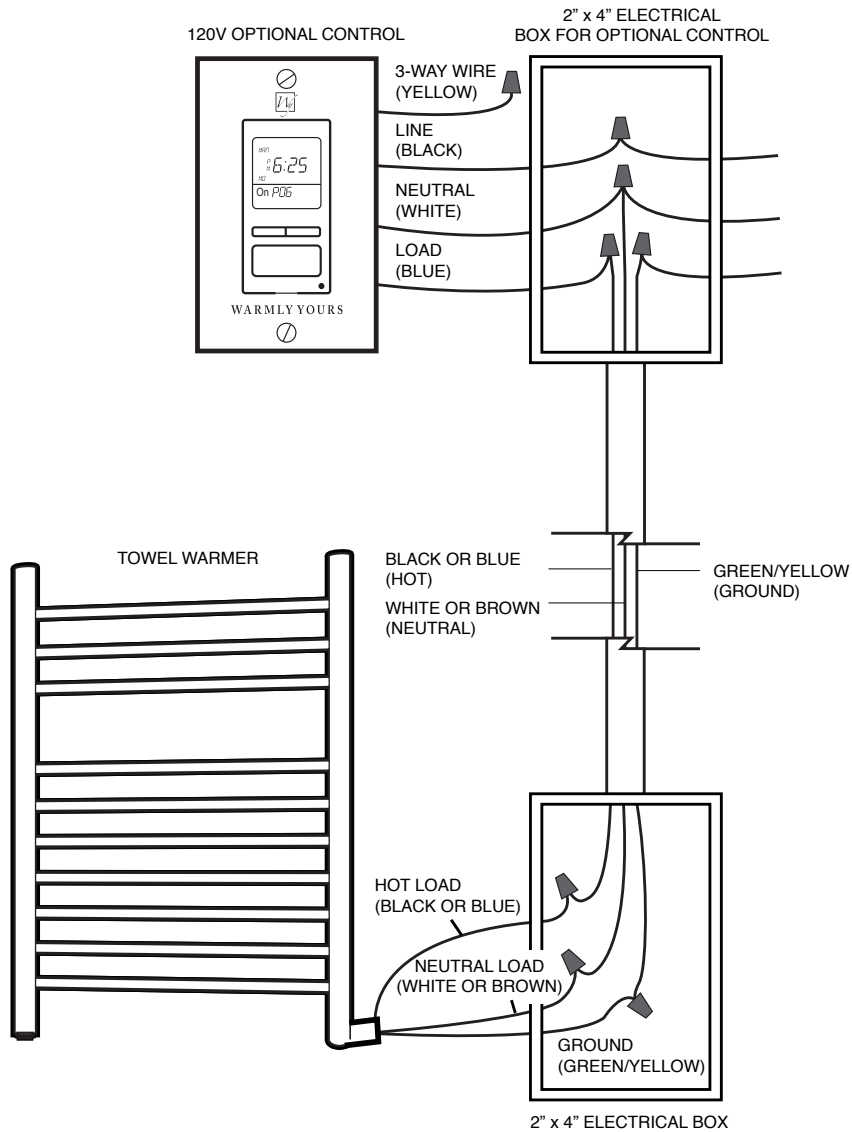
- a. 4 PCS
- b. 4 PCS
- c. 4 PCS
- d. 4 PCS
- e. 4 PCS
- f. 4 PCS
- g. 1 PCS
- h. 2 PCS
- i. 1 PCS



**Note:** Use a tape measure to measure the distance (on center) between the four mounting brackets. Use a pencil to mark locations A, B, C, D and E on the wall according to the measurements. We suggest mounting the Towel Warmer at least 24" (600mm) above the floor. We suggest mounting the left rail of the towel warmer to a stud, if possible.



### ELECTRICAL ROUGH-IN



### OPERATION:

#### MANUAL

You can operate your towel warmer by using the integrated on/off switch that is located at the bottom of one of the towel warmer's vertical stiles.

#### WITH A CONTROL:

You may want to pair your towel warmer with a compatible WarmlyYours timer or switch. Make sure to refer to the installation manual of the control for proper operation and installation. If you have any questions, call 800-875-5285.

**IMPORTANT: READ BEFORE INSTALLING**

1. Read installation manual and ALL instructions BEFORE you begin installation.
2. WarmlyYours recommends mounting the left vertical rail mounts to a stud.
3. This product is not intended for commercial use. Residential use only. Do not put the unit into water. This product is for indoor use only.
4. If the heating wire inside the unit fails or becomes damaged, turn the unit OFF and contact WarmlyYours. Do NOT attempt to repair or remove the power switch or heating wire.
5. If you encounter any difficulties while installing your towel warmer, call WarmlyYours for 24/7 installation support at (800) 875-5285.
6. If a return is necessary, please use original packaging if possible.

**OPERATION**

After installation is complete, connect the electric power and turn on the power switch, located on the bottom left of the unit. The unit will begin to heat. If the unit will not be used for an extended time, simply turn the unit off using the power switch.

**SAFETY INFORMATION**

- Towel warmers are designed to warm towels only and should not be used for any other purpose.
- Never stand, sit on or hang on the towel warmer.
- Never allow children to play on or with the towel warmer.
- Make sure that the circuit breaker is shut off at the main electrical panel before wiring or servicing your towel warmer.
- The towel warmer must be properly grounded.
- All wiring must be done in accordance with the National Electrical Code (NEC) and Canadian Electrical Code (CEC) and should be performed by a licensed professional who is certified to do electrical wiring.
- Never place your towel warmer inside a shower, sauna or steam room.
- Never attempt to warm more than two (2) towels on the towel warmer at a time. Overloading the towel warmer will cause the unit to become extremely hot and may result in a burn if touched.
- Towel warmers are cULus listed for use in U.S. and Canada.

**CLEANING INFORMATION**

While the towel warmer is warm, clean with a soft, non-abrasive, damp cloth. Once the towel warmer has cooled, lightly polish with a soft, dry cloth. Do not use abrasive cleaning powders, metal polish or chlorine-based cleaners on any part of the towel warmer.

**INSTALLATION**

This appliance must be installed in accordance with the instructions in the manual and the NEC and CEC guidelines relating to electrical fixtures in bathrooms. The towel warmer MUST be on a GFCI protected circuit and wired by a licensed professional who is certified to do electrical wiring.