



ENGLISH

ESPAÑOL

# OWNER'S MANUAL

# CERAMIC-GLASS

# RADIANT COOKTOP

Please read this guide thoroughly before operating and keep it handy for reference at all times.

LSCE305ST  
LSCE365ST



MFL54169102\_13

[www.lg.com](http://www.lg.com)

Copyright © 2010 - 2017 LG Electronics Inc. All Rights Reserved.

# INTRODUCTION

## IMPORTANT SAFETY INFORMATION

Important Safety Precautions..... 3-7

## COOKWARE TIPS

Selecting Cookware .....8-9

## PARTS AND FEATURES

Parts and Features of Your Cooktop.....10  
Touch Control Features .....11

## OPERATING INSTRUCTIONS

Before Using the Cooktop .....12  
Setting the Controls .....12-14  
Using the Warming Zones.....14  
Using the Bridge cooking zones.....15  
Using the Triple cooking zones ..... 16  
Using the Dual cooking zones .....16  
Using the Child lock .....17  
Other Functions .....17

## CARE AND CLEANING

Cleaning the Cooktop.....18

## INSTALLATION INSTRUCTIONS

Before You Begin .....19  
Unpacking the Cooktop .....19  
Technical Specifications.....20  
Preparing the Installation Location .....21  
Dimensions and Clearances .....22  
Preparing the Installation Location .....23  
Dimensions and Clearances .....24  
Electrical Connections .....25-27  
Cooktop Installation .....27-28  
Final Check .....28

## TROUBLESHOOTING

Before Calling for Service .....29-30

## WARRANTY

Warranty for customers in the U.S.A. ....31

## THANK YOU!

Congratulations on your purchase and welcome to the LG family. Your new LG RADIANT Cooktop combines precision cooking features with simple operation and stylish design. By following the operating and care instructions in this manual, your cooktop will provide you with many years of reliable service.

The images in this guide may be different from the actual components and accessories, which are subject to change by the manufacturer without prior notice for product improvement purposes.

### ***Product Registration Information***

Model: \_\_\_\_\_

Serial Number: \_\_\_\_\_

Date of Purchase: \_\_\_\_\_

# IMPORTANT SAFETY INFORMATION

## READ ALL INSTRUCTIONS BEFORE USE

You can download an owner's & installation manual at <http://www.lg.com>.

**⚠ WARNING** For your safety, the information in this manual must be followed to minimize the risk of fire, electric shock, or to prevent property damage, personal injury, or death.

## SAFETY PRECAUTIONS

- **Proper Installation:** Be sure your appliance is properly installed and grounded by a qualified technician in accordance with the National Electrical Code ANSI/NFPA No. 70, latest edition in the United States, and all local code requirements. Install only per installation instructions.
- Do not attempt to repair or replace any part of your cooktop unless it is specifically recommended in this manual. All other service should be referred to a qualified technician.
- Remove all tape and packaging wrap before using the appliance. Destroy the carton and plastic bags after unpacking the appliance. Never allow children to play with packaging material.
- The safety aspects of this appliance comply with accepted technical standards.
- **Know how to disconnect the electrical power to the appliance at the circuit breaker or fuse box in case of an emergency.** Mark the breaker or fuse for ease of identification and swift action if necessary.
- **Do not repair or replace any part of the appliance.** All servicing should be done only by a qualified technician to avoid the risk of personal injury and damage to the appliance.
- **Never modify or alter the construction of an appliance such as removal of panels, wire covers or any other permanent part of the product.**
- **Storage on appliance: Flammable materials should not be stored near or on the cooking surface.** This includes paper, plastic and cloth items, such as cookbooks, plasticware and towels, as well as flammable liquids. Do not store explosives, such as aerosol cans, on or near the appliance. Flammable materials may explode and result in fire or property damage.
- **Do not leave children alone. Children should not be left alone or unattended in the area where an appliance is in use.** They should never be allowed to sit or stand on any part of the appliance.

- **Do not store or use gasoline or other flammable vapors and liquids in the vicinity of this or any other appliance.**

### ⚠ CAUTION

Items of interest to children should not be stored in cabinets above a cooktop or on the backsplash of a cooktop—children climbing on the cooktop to reach items could be seriously injured.

### ⚠ WARNING

Never use your appliance for warming or heating a room.

### ⚠ CAUTION

**DO NOT touch Cooking Zones or areas near these surfaces.** Cooking Zones may be hot from residual heat even though they are dark in color. Areas near the Cooking Zones may become hot enough to cause burns. During and after use, do not touch or let clothing or other flammable materials touch these areas until they have had sufficient time to cool.

### ⚠ CAUTION

Never wear loose fitting or hanging garments while using this appliance.

- Always turn off all controls when cooking is completed.
- Never allow children to set or stand on any parts of the appliance as they could be injured or burned.

# IMPORTANT SAFETY INFORMATION

## READ ALL INSTRUCTIONS BEFORE USE

### SAFETY PRECAUTIONS (cont.)

- **Wear proper apparel. Loose-fitting or hanging garments should never be worn while using the appliance.** Do not let clothing or other flammable materials contact hot surfaces.
- **Do not use water or flour on grease fires.** Smother the fire with a pan lid, or use baking soda, a dry chemical or foam-type extinguisher.
- **When heating fat or grease, watch it closely.** Fat or grease may catch fire if allowed to become too hot.
- **Use only dry pot holders.** Moist or damp pot holders on hot surfaces may result in burns from steam. Do not let the pot holders touch hot surface units. Do not use a towel or other bulky cloth instead of a pot holder.
- **Do not heat unopened food containers.** Buildup of pressure may cause the container to burst and result in injury.

### ELECTRICAL SAFETY

#### **WARNING**

- **If the surface is cracked, switch off the appliance to avoid the possibility of electric shock. Do not reuse your COOKTOP until the glass surface has been changed.**
- **When using the COOKTOP, never use aluminum foil, products wrapped in aluminum foil, or deep-frozen food in aluminum cookware.**
- **If the supply cord is damaged, it must be replaced by the manufacturer, its service agent or similarly qualified persons in order to avoid a hazard.**

- The installation and connection of the new appliance must only be carried out by qualified personnel.
- Flush-mounted appliances may only be operated following installation in suitable cabinets and workplaces which conform to the relevant standards. This ensures sufficient protection against electric shock as required by certification agencies.
- If your appliance malfunctions or fractures, switch off all cooking zones, and contact Service Center.

### CHILD SAFETY

#### **WARNING**

- **This appliance is not intended for use by young children or infirm persons unless they have been adequately supervised by a responsible person to ensure that they can use the appliance safely.**
- **Young children should be supervised to ensure that they do not play with the appliance.**
- **Accessible parts may become hot during use. Young children should be kept away.**

# IMPORTANT SAFETY INFORMATION

## READ ALL INSTRUCTIONS BEFORE USE

### SAFETY DURING USE

- **This appliance may only be used for normal cooking and frying in the home.** It is not designed for commercial or industrial purposes.
- **Do not use the cooktop to heat the room.**
- **Take care when plugging in electric appliances near the cooktop.** Cords must not come into contact with the hot surface. This could cause damage to the cooktop and cable insulation.
- **Overheated fats and oils catch fire quickly.** You should supervise cooking when preparing foods in fat or oil.
- **After use, switch off the hob element by its control and do not rely on the pan detector.**
- **Always keep the control panels clean and dry.** Do not let liquids or grease remain on the cooktop controls area. Spilled or burnt-on foods can activate or deactivate the appliance. Clean the controls area thoroughly to resume normal operation of the appliance.
- **Never place combustible items on the cooktop.**
- **Never keep any combustible items or aerosol cans in a drawer located under the cooktop.**
- **Avoid placing metal cooking utensils on the cooking surface areas.** Metal objects can become hot and cause burns.
- **Know which touch keypad controls each surface of the cooking zones.**
- **Clean the appliance regularly to keep all parts free of grease that could catch fire.** Exhaust fan ventilation hoods and grease filters should be kept clean. Do not allow grease to accumulate on hood or filter. Greasy deposits in the fan could catch fire. Refer to hood manufacturer's instructions for cleaning.
- **Use Proper Pan Sizes.** This appliance is equipped with one or more surface units of different size. Select utensils having flat bottoms large enough to cover the surface unit heating element. The use of undersized utensils will expose a portion of the heating element to direct contact and may result in ignition of clothing. Proper relationship of utensil to burner will also improve efficiency.
- **If pan is smaller than element,** a portion of the element will be exposed to direct contact and could ignite clothing or potholder.
- **Do not place any object on or near the control keypad area in order to prevent accidental activation of the cooktop controls.**
- **Utensil handles should be turned inward and not extend over adjacent surface units.** To reduce the risk of burns, ignition of flammable materials, and spillage due to unintentional contact with the utensil, the handle of a utensil should be positioned so that it is turned inward, and does not extend over adjacent surface units.
- **Never leave prepared food on the Cooking Zones.** Boilovers cause smoking and greasy spillovers that may ignite, or a pan that has boiled dry may melt or become damaged.
- **Protective liners: Do not use aluminum foil to line any part of the cooktop.** Only use aluminum foil as recommended after the cooking process, if used as a cover to be placed over the food. Any other use of aluminum foil may result in the risk of electric shock, fire or short circuit.
- **Glazed cooking utensils: Only certain types of glass, glass/ceramic, ceramic, earthenware, or other glazed utensils are suitable for rangetop service without breaking due to the sudden change in temperature.** Check the manufacturer's recommendations for cooktop use.
- **Ventilating hood: The ventilating hood above your cooking surface should be cleaned frequently, so the grease from cooking vapors does not accumulate on the hood or filter.**
- **Do not clean or operate a broken cooktop.** If cooktop should break, cleaning solutions and spillovers may penetrate the broken cooktop and create a risk of electric shock. Contact a qualified technician immediately.
- **Clean cooktop with caution.** Do not use sponges or cloth to wipe spills on a hot cooking area. Use a proper metal scraper.

# IMPORTANT SAFETY INFORMATION

## SAFETY DURING USE (cont.)

- **Do not place hot cookware on cold cooktop glass.** This could cause glass to break.
- **Do not slide pans across the cooktop surface.** They may scratch the cooktop surface.
- **Do not let pans boil dry.** This may cause permanent damage in the form of breakage, fusion, or marking that can affect the ceramic-glass cooktop. (This type of damage is not covered by your warranty.)
- **Never leave surface units unattended at high heat settings.** Boilover causes smoking and greasy spillovers that may ignite.
- Smother fire or flame in a pan with a lid or cookie sheet. **NEVER** pick up or move a flaming pan.
- Do not use water on grease fires. Use baking soda a dry chemical or foam-type extinguisher to smother fire or flame.
- **Always turn off all controls when cooking is completed.**
- **Be sure you know which control pads operate each surface unit.** Make sure you turned on the correct surface unit.
- **Use only dry potholders.** Moist or damp pot holders on hot surfaces may result in burns from steam. Do not let the pot holder touch hot heating elements. Do not use a towel or other bulky cloth.

## SAFETY WHEN CLEANING

- **Always switch off the appliance before cleaning.**
- **For safety reasons, do not clean the appliance with a steam jet or high-pressure cleaner.**
- **Clean the cooktop in accordance with the maintenance and cleaning instructions in this manual.**
- **Steam cleaner is not to be used for cleaning of the cooktop.**
- **Do not use harsh abrasive cleaners or rough metal scrapers to clean the cooktop glass since they can scratch the surface, which may result in shattering of the glass.**
- **Clean CookTop With Caution.** Do not use sponges or cloth to wipe spills on a hot cooking area. Use a proper metal scraper.

## COOK MEAT AND POULTRY THOROUGHLY

Cook meat and poultry thoroughly—meat to at least an INTERNAL temperature of 160°F and poultry to at least an INTERNAL temperature of 180°F. Cooking to these temperatures usually protects against foodborne illness.

# IMPORTANT SAFETY INFORMATION

## HOW TO AVOID DAMAGE TO THE APPLIANCE

- Prior to using your cooktop for the first time, apply the recommended cooktop cleaning creme to the ceramic surface. Buff with a non-abrasive cloth or pad. This will make cleaning easier when soiled from cooking. The special cooktop cleaning cream leaves a protective finish on the glass to help prevent scratches and abrasions.
- Do not use the cooktop as a worksurface or storage space.
- Please be careful at the edges when moving pots and pans.
- Do not operate the cooking zones with empty pots or pans.
- Do not turn on the cooking zones with no pots or pans on the element.
- Ceramic glass is very tough, and impervious to sharp temperature changes but is not unbreakable. It can be damaged if hard or sharp objects fall on it.
- Be very cautious if using pots made of cast iron, or other pots with rough edges or burrs. Moving these can cause scratches on glass.
- If sugar or a mixture containing sugar falls onto a hot cooking zone and melts, remove immediately, while still hot. If left to cool down, it may damage the surface when removed.
- Do not slide metal or glass across the cooktop surface.
- Keep meltable objects or materials away from the ceramic glass surface, for example, plastic utensils, aluminum foil, or cooking wraps. If any materials or foodstuffs melt on the ceramic-glass surface, these should be cleaned up immediately.

**NOTE: There is a risk of burning yourself when the glass scraper is used on a hot cooking zone!**

- Do not use cookware with any dirt build up on the bottom.
- Do not use cookware with rough or uneven bottoms. This cookware can mark and scratch the cooktop surface.
- Refer to the owners manual for proper cleaning and maintenance of the cooktop.
- **Do not use the glass cooktop surface as a cutting board.**
- **Never cook directly on the glass. Always use cookware.**

### CAUTION

**Burn Hazard:** The Cooking Zones may appear cool when turned ON and after they have been turned OFF.

## DISPOSAL OF OLD APPLIANCES


To protect the environment, it is important that worn-out appliances are disposed of in the correct manner.

- The appliance must not be disposed of with household rubbish.
- You can obtain information about collection dates or public refuse disposal sites from your local health council or environmental health office.

### CAUTION

**Before disposing of old appliances please make them inoperable so they cannot be a source of danger. To do this, have a qualified person disconnect the appliance from the house circuitry.**

## CALIFORNIA SAFE DRINKING WATER AND TOXIC ENFORCEMENT ACT

** WARNING:** This product contains chemicals known to the State of California to cause cancer and birth defects or other reproductive harm. ***Wash hands after handling.***

**READ AND FOLLOW THIS SAFETY INFORMATION CAREFULLY.**

**SAVE THESE INSTRUCTIONS**



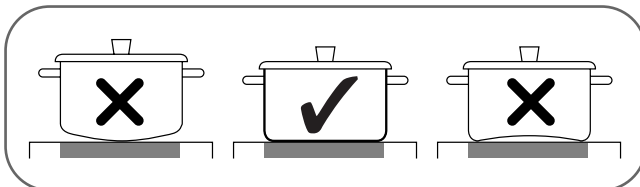
# COOKWARE TIPS

## SELECTING COOKWARE

### POTS AND PANS

The better the pot, the better the cooking results.

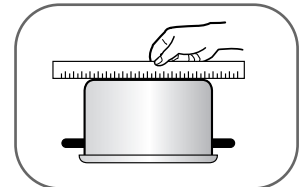
- You can recognize good pots and pans by their bases. The base should be as thick and flat as possible.



- Pots with aluminum or copper bases can cause metallic discoloring on the ceramic glass surface which is very difficult or impossible to remove.
- Be very careful when using cast iron pots or pots with damaged bases which are rough and or have burrs on them. Scratches can occur if they are slid across the surface.
- When cold, pot bases are normally bowed slightly inwards (concave). They should never be bowed outwards (convex).
- If you wish to use a special type of pan (e.g., a pressure cooker, simmering pan, wok), please follow the manufacturer's instructions and do not use a very thin pan.

### USE FLAT-BOTTOMED COOKWARE

Cookware must fully contact the surface of the cooking element. Use flat-bottomed pans sized to fit the cooking element and amount of food being prepared. Check for flatness by rotating a ruler across the bottom of the cookware.





## SELECTING COOKWARE (cont.)

### AVOIDING SCRATCHES

It is recommended to always use heavier gauge stainless steel cookware on your ceramic cooktop surface. This will help reduce the possibility of developing scratches on the ceramic surface. Low-quality cookware can scratch the cooktop surface.

Cookware should always be lifted over the ceramic cooktop surface to prevent scratching.

Sliding any type of cookware over the ceramic cooktop can affect the overall appearance of the cooktop. Over time, sliding ANY type of cookware over the ceramic cooktop may alter the overall appearance of the cooktop. Eventually, the buildup of scratches can make cleaning the surface difficult and degrade the overall appearance of the cooktop.

Scratches can also result from grains of sand (e.g., after washing vegetables) which are dragged with the pot across the cooking surface.

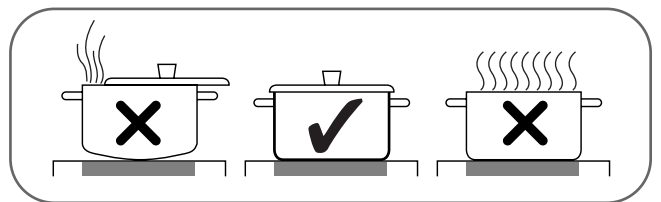
### FOR BEST RESULTS:

Always follow the recommendations for proper cookware type and size. In addition:

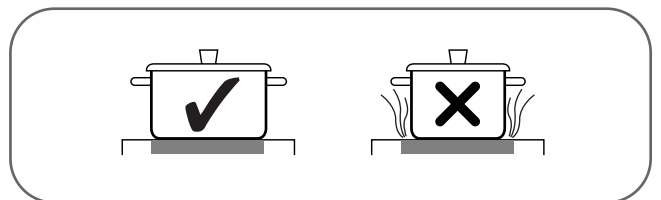
- Do not use dirty pans with grease buildup. Always use pans that are easy to clean after cooking, and make sure that the bottoms of the pans are clean and dry.
- When cooking with large amounts of liquid, use large pots so that nothing can boil over.
- Do not let pans boil dry. This may cause permanent damage in the form of breakage, fusion, or marring that can affect the ceramic cooktop. (This type of damage is not covered by your warranty.)
- Match the pan size and Cooking Zone to the amount of food being prepared.

### TIPS FOR SAVING ENERGY:

- Always position pots and pans before you switch on the Cooking Zone.
- Dirty cooking zones and cookware use more electricity.
- Whenever possible, always have the lid firmly placed on the pots and pans so that they are completely covered.



- Switch off the cooking zones before the end of the cooking time to use the residual heat for keeping food warm or for melting purpose.
- The base of the pot should have the same size as the cooking zone.



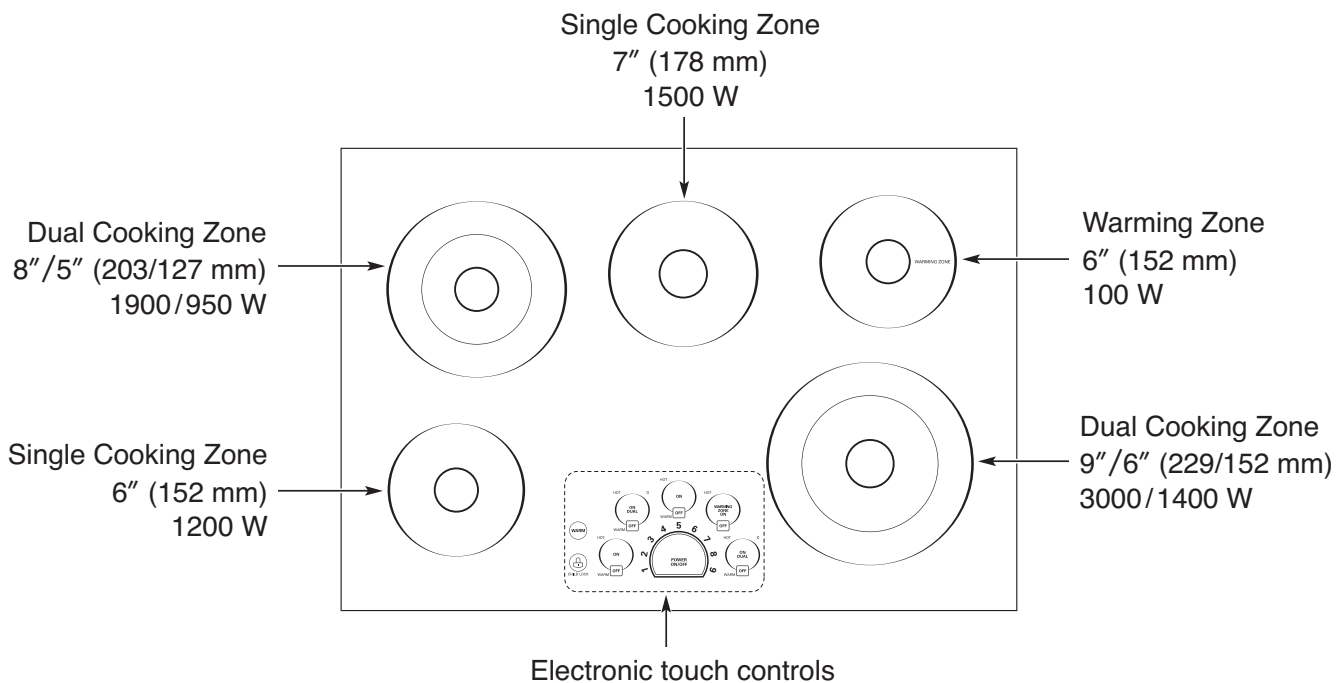
- Using a pressure cooker shortens the cooking times by up to 50%.

# PARTS AND FEATURES

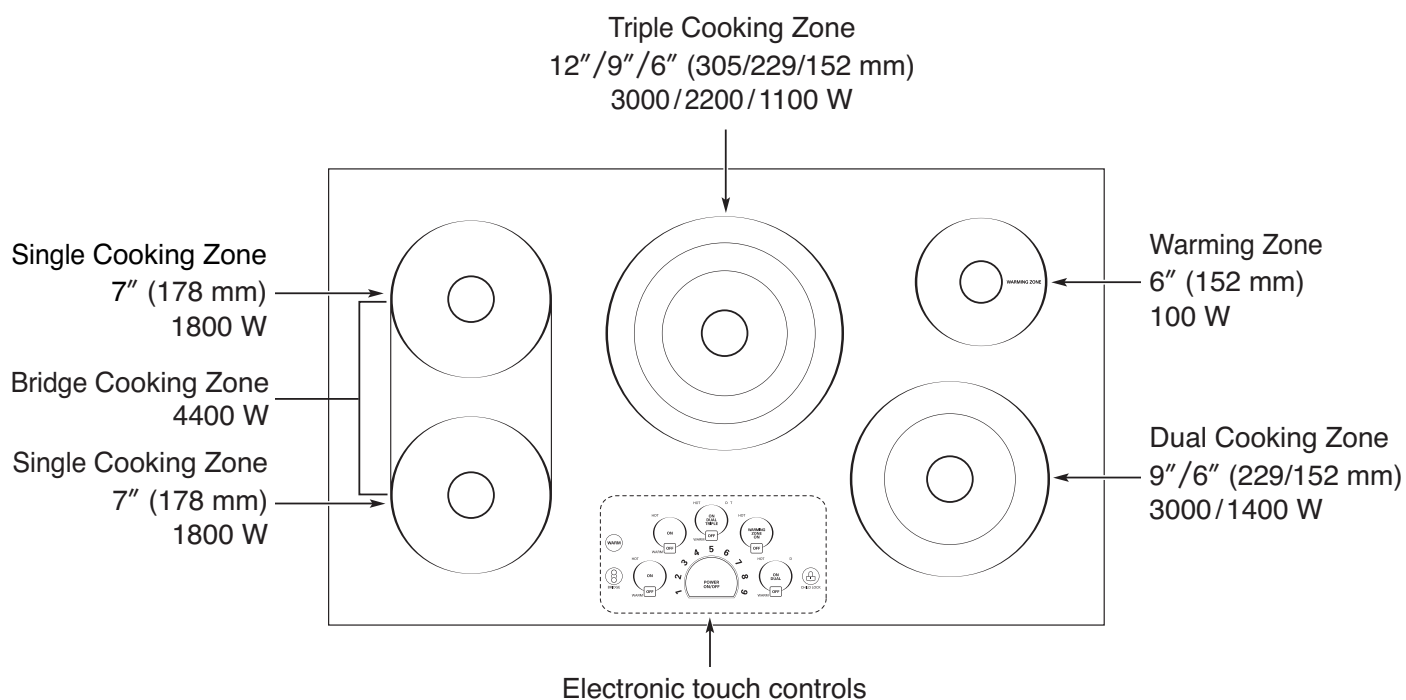
## PARTS AND FEATURES OF YOUR COOKTOP

Throughout this manual, features and appearance may vary from your model.

### LSCE305ST Radiant Cooktop



### LSCE365ST Radiant Cooktop

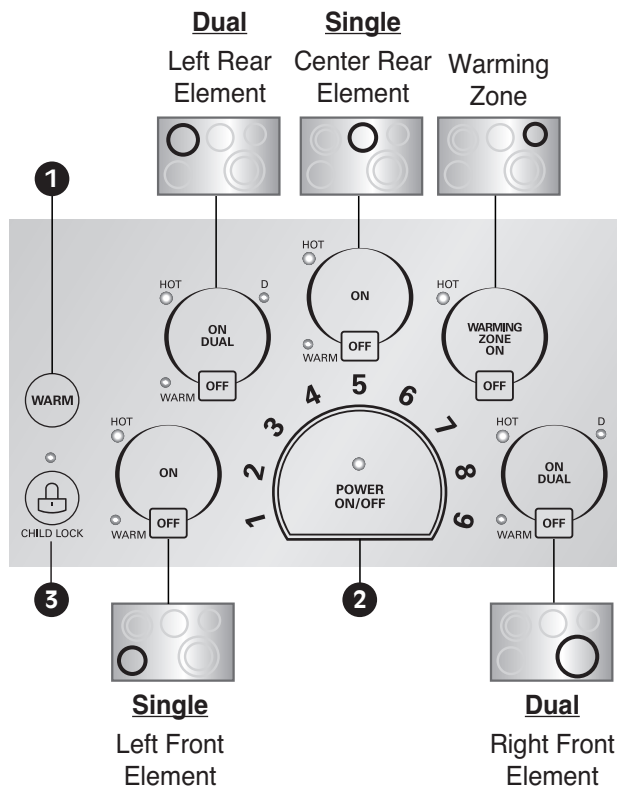


## TOUCH CONTROL FEATURES

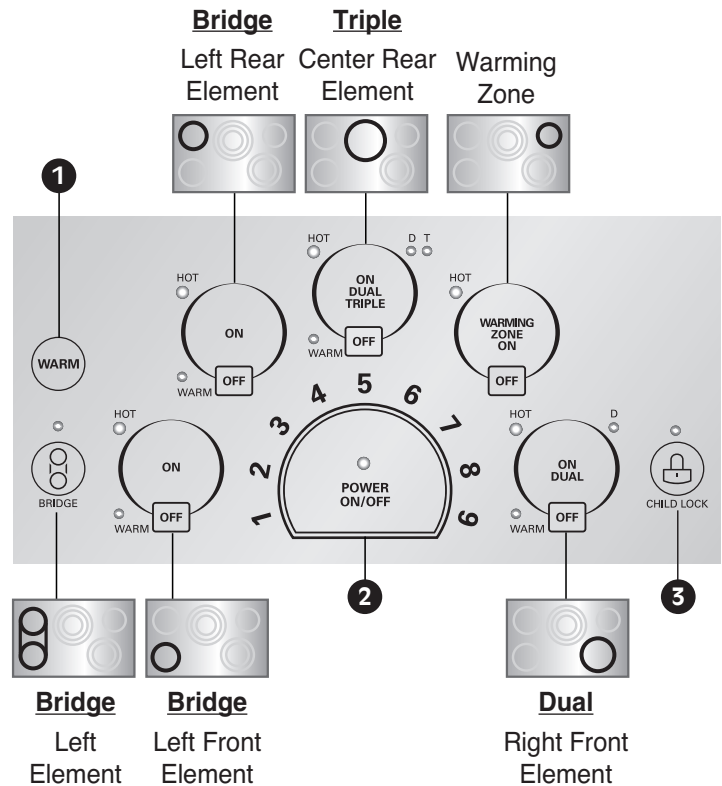
### LOCATIONS OF SURFACE ELEMENTS AND CONTROLS

The surface burner elements are positioned in the same locations on the cooktop and the control panel for ease of use.

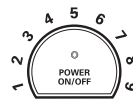
**LSCE305ST Radiant Cooktop**



**LSCE365ST Radiant Cooktop**



- 1 **WARM:** This pad lowers selected active element to the lowest setting.
- 2 **POWER ON/OFF:** Touch the POWER ON/OFF pad to turn the entire cooktop ON and OFF. When it is ON, the cooktop is in standby mode until a Cooking Zone is activated.
- 3 **CHILD LOCK:** Touch and hold for 3 seconds to activate and deactivate the child lockout function.



#### To set the element power level:

Select the number on the element power settings for the active Cooking Zone to adjust the power level from 1 to 9.

#### Hot Surface Indicator:

The indicator light below the HOT will illuminate when the cooking area is hot. It will remain on, even after the control is turned off, until the area has cooled.

# OPERATING INSTRUCTIONS

## BEFORE USING THE COOKTOP

Before using the cooktop for the first time, clean it thoroughly with the included cleaner or ceramic cooktop cleaner according to the Care and Cleaning instructions in this guide. This will help protect the ceramic surface and make future cleanup easier.

### **⚠ CAUTION**

**Never use scrub pads, abrasive or etching cleaners.** They can cause permanent damage to the cooktop surface.

## SETTING THE CONTROLS

To operate the touch control pads, touch the pad firmly with the flat part of your fingertip.

### **FIRST OPERATION**

The first time that power is supplied to the cooktop, the display for the controls lights for 1 seconds. If you don't turn on the cooktop within 1 hour after power is supplied to the cooktop, the display for the controls blinks.

### **ACTIVATING THE COOKTOP**



To turn ON the cooktop, touch the **POWER ON/OFF** pad for approximately 2 seconds.

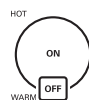
The indicator above the pad will light.



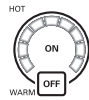
To turn OFF the cooktop, touch the **POWER ON/OFF** pad. The indicator light above the pad will turn off.

**NOTE:** After turning on the cooktop with the POWER ON/OFF pad, you must select one of the Cooking Zones within 15 seconds using the Cooking Zone ON pad(s). If no selection is made, the cooktop will turn off for safety.

### **SELECTING THE COOKING ZONE**



To select the desired Cooking Zone, touch the **ON** pad.



The display for the selected Cooking Zone will light.

The power level indicator lights are blinking but no power level is set

**NOTE:** Once the Cooking Zone has been selected with the **ON** pad, the power level must be selected within 10 seconds with the Element power settings. Otherwise, the Cooking Zone will turn off for safety.

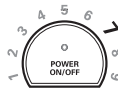
## SETTING THE CONTROLS (cont.)

### SETTING THE POWER LEVEL

The power level for the selected Cooking Zone can be set from 1 to 9.

#### To select the power level:

- 1 Select the number on the element power settings for the active Cooking Zone to adjust the power level from 1 to 9.
- 2 Selecting 7 will activate the Cook Zone. After activating the Cook Zone, the indicator lights will flash once and lock your selection.



NOTE: If power level is not selected, the Cooking Zone will turn off after 10 seconds.

#### To readjust the power level:

- 1 Select Cooking Zone ON.
- 2 To change the Cooking Zone power, select the desired level. If power level is not selected after 10 seconds, the Cooking Zone power level will remain the same.



#### To turn OFF the Cooking Zone:

- 1 After the cooking is complete, touch the **OFF** pad to turn off the Cooking Zone.
- 2 The corresponding cooking zone display will turn off.
- 3 If the **POWER ON/OFF** pad is selected, all Cooking Zones will shut off.



### WARNING

Your cooktop has a residual heat indicator for each Cooking Zone. This indicator will warn that this area has been used and is still giving off enough heat to cause burns. Avoid touching the Cooking Zone when this indicator is shown. Although the cooktop is OFF, the light will stay lit until the cooktop has cooled down.

Setting	Function	Used for
9	Fast heating	Bringing liquids to a boil.
7-9	Heaving browning, deep fat frying	Browning meats, heating oil for deep-fat frying, sautéing, maintaining a fast boil for large amounts of liquids.
6-7	Roasting, frying	Frying meats, chops, pancakes, sausages, eggs.
4-5	Boiling, general cooking	Cooking larger quantities, soups and stews, steaming potatoes, cooking meat stock or bouillon.
3-4	Steaming	Steaming vegetables, braising meats.
2-3	Simmering	Simmering rice or milk-based dishes, steaming smaller quantities of potatoes and vegetables, heating ready-to-serve meals.
1-2 Warm	Melting	Fluffy omelettes, keeping dishes warm, melting butter or chocolate.

NOTE: These settings are recommended guidelines for cooking. You may need to adjust the power level for the type of food and pan.

# OPERATING INSTRUCTIONS

## SETTING THE CONTROLS (cont.)

### WARM

The cooktop has a WARM setting feature that can be used on all Cooking Zone except the Warming Zone element.

### To activate:

Touch the **ON** pad to activate the desired Cooking Zone and touch the WARM pad. The selected Cooking Zone will be set to the LOW setting. The indicator light above WARM will turn ON.



### To change the power level:

Touch the **ON** pad and select a new number on the element power settings. The indicator light above WARM will turn OFF.

## USING THE WARMING ZONE

### WARMING ZONE

Use the Warming Zone to keep food warm after it has already been cooked, such as vegetables, gravies and oven-safe dinner plates.

The warming zone is not meant for cooking food. Attempting to cook uncooked or cold food on the warming zone could result in a food borne illness”

### To activate the warming zone:



Touch the **WARMING ZONE ON** pad. Set the desired power level on the element power settings.

### Warming level guide

Settings	Used
1-2	Pastries Breads Breakfast Foods (Eggs) Delicate Foods
3-5	Soups (Cream) Stews Vegetables Meats
6-8	Sauces Gravies
9	Hot Beverages Soups (Liquid)

### NOTE:

- All foods should be covered with a lid or aluminum foil to maintain food quality.
- When warming pastries and bread, the cover should have an opening to allow moisture to escape.
- Do not use plastic wrap to cover foods. Plastic may melt on to the surface and be very difficult to clean.
- Use only cookware and dishes recommended as safe for cooktop use.
- Always use potholders when removing food from the Warming Zone as cookware and plates will be hot.
- Never warm food for longer than one hour (eggs for 30 minutes), as food quality may deteriorate.
- Do not heat cold food on the Warming Zone.
- The quantity and type of food being held may affect the required heat setting
- Do not use large utensils or large amounts of food as this may cause uneven heating.
- Always hold food at proper food temperatures. USDA recommends food temperatures between 140° - 170° F (except pastries).

## USING THE BRIDGE COOKING ZONES

### BRIDGE COOKING ZONES (LSCE365ST)

The three left cooking zones can be used together as a single Cooking Zone using the Bridge function. This allows you to cook with larger oblong pans.

The Bridge function can only be activated when the left front cooking zone and the left rear cooking zones are OFF.

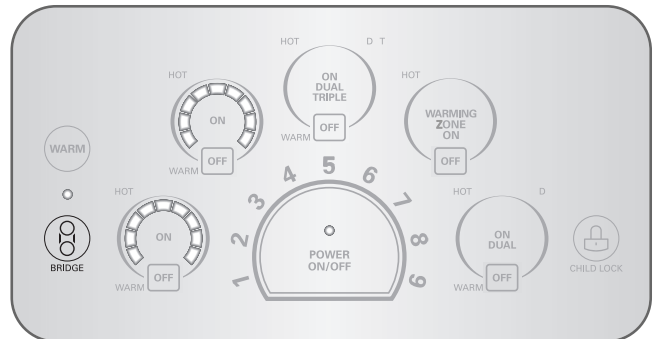


#### To activate the Bridge Cooking Zone



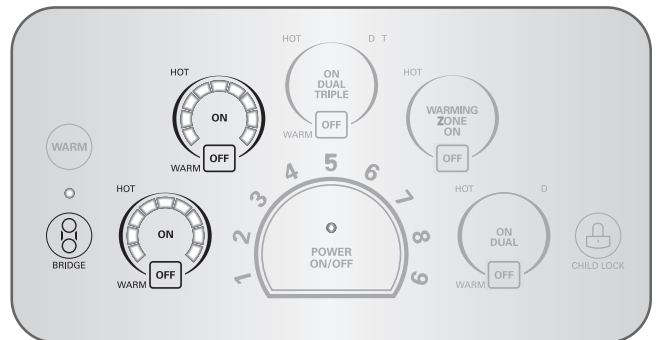
- Touch the **BRIDGE** pad.
- The indicator above the pad will light.

The power level indicator lights for the left front and left rear (Bridge) elements will blink. Select the desired power level.



#### To readjust the power level:

- 1 Select left Cooking Zone ON or **BRIDGE** pad.
- 2 Select Cooking Zone power level. If power level is not selected after 10 seconds, the Cooking Zone power level will remain the same.



#### To turn off the Cooking Zone:

- 1 Once cooking is complete, touch the Left Cooking Zone **OFF** pad to turn the Cooking Zone OFF.
- 2 The corresponding Cooking Zone display will turn off.
- 3 If the **POWER ON/OFF** pad is selected, all Cooking Zones will shut off.





# OPERATING INSTRUCTIONS

## USING THE TRIPLE COOKING ZONES (LSCE365ST)

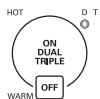
The Triple Element, located in the center position, offers three different size elements to accommodate different pan sizes.

### To Activate the Triple Cooking Zone

- 1 Touch the **ON** pad. The inner most element will activate.

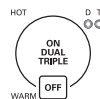


- 2 Touch the **ON** pad again to activate the center and middle areas (Dual Element).



The indicator light below the **D** (Dual) will turn ON.

- 3 Touch the **ON** pad again to activate the entire element (Triple Element).



The indicator light below the **D** (Dual) and the **T** (Triple) will turn on.

- 4 Select the desired power level.



## USING THE DUAL COOKING ZONES

The Dual Element, located in the right front position, offers two different size elements to accommodate different pan sizes. Use one or two sections of the element to accommodate different pan sizes.

### To Activate the Dual Cooking Zone

- 1 Touch the **ON** pad. The inner most element will activate.



- 2 Touch the **ON** pad again to activate the entire element (Dual).



The indicator light below the **D** (Dual) will turn ON.

- 3 Select the desired power level.

### LSCE305ST



### LSCE365ST



## USING CHILD LOCK

You can lock the entire cooktop at any time when it is not in use. Locking the cooktop will prevent Cooking Zones from being turned on accidentally.

### SETTING CHILD LOCK



The cooktop must be OFF to set the **CHILD LOCK** function. If it is not OFF, touch and hold the **POWER** pad for approximately 2 seconds. The indicator above the **POWER** pad will turn OFF.



Touch and hold the **CHILD LOCK** pad for 3 seconds. The indicator light above the **CHILD LOCK** pad will turn on to indicate that the cooktop is locked.

### CANCELING CHILD LOCK



To turn off CHILD LOCK, touch and hold the **CHILD LOCK** pad for 3 seconds. The indicator light above the pad will go off and the cooktop can now be used normally.

## OTHER FUNCTIONS

### AUTOMATIC SHUTOFF

If a Cooking Zone is in constant use for more than 17 hours and the control setting is not changed, the Cooking Zone will shut off automatically.

### AUTOMATIC POWER LEVEL CONTROL

The power level displayed may be different from the actual power level at the high temperature range. To prevent the cooktop from overheating, the power level is controlled automatically.

# CARE AND CLEANING

## CLEANING THE COOKTOP

### NORMAL DAILY USE CLEANING

**ONLY** use Ceramic Cooktop Cleaner on the glass cooktop. Other creams may not be as effective or they might damage the surface with scratches or permanent staining.

To maintain and protect the surface of your glass cooktop, follow these steps:

- 1 Before using the cooktop for the first time, clean it with Ceramic Cooktop Cleaner. This helps protect the top and makes cleanup easier.
- 2 Daily use of Ceramic Cooktop Cleaner will help keep the cooktop looking new.
- 3 Shake the cleaning cream well. Apply a few drops of Cleaner directly to the cooktop.
- 4 Use a paper towel clean the entire cooktop surface.
- 5 Rinse with clear water and use a dry cloth or paper towel to remove all cleaning residue.

#### NOTE:

It is very important that you **DO NOT** heat the cooktop until it has been cleaned thoroughly.

### ⚠ CAUTION

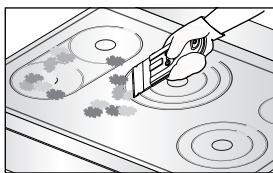
- **DO NOT use scrub pads or abrasive cleaning pads.**
  - They may damage your glass cooktop surface.
- **For your safety please wear an oven mitt potholder while cleaning the hot cooking surface.**

### BURNED-ON RESIDUE

To clean the glass-ceramic

#### Step. 1

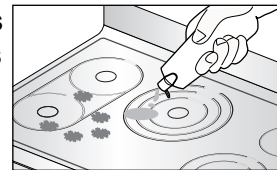
First remove any burnt-on deposits or spilled food from your glass-ceramic cooking surface with a suitable metal razor scraper (similar to scraping paint off of your windowpanes in your home - it will not damage the decorated cooking surface). Hold the scraper at approximately a 30° angle to the cooktop.



**NOTE:** Do not use a dull or nicked blade. For your safety, please wear an oven mitt potholder while using the metal scraper.

#### Step. 2

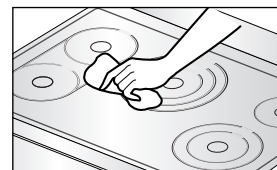
When the cooking surface has cooled down apply a few dabs (about the size of a dime) of an approved cleaner in each burner area and work the cleaning cream over the cooktop surface with a damp paper towel as if you were cleaning a window.



**NOTE:** Approved cleaner  
Weiman CookTop Cleaning Cream  
([www.weiman.com](http://www.weiman.com))  
Cerama Bryte  
([www.ceramabryte.com](http://www.ceramabryte.com))  
Easy-Off 3 in 1 Glass Top Cleaner Spray  
([www.easyoff.us](http://www.easyoff.us))

#### Step. 3

As a final step, clean with clear water and wipe the cooktop surface with a clean, dry paper towel.



**Important:** If any sugar or food containing sugar (preserves, ketchup, tomato sauce, jellies, fudge, candy, syrups, chocolate, etc.), a plastic item or kitchen foil accidentally melts on the hot surface of your cooktop, remove the molten material **IMMEDIATELY** with a metal razor scraper (it will **not** damage the decorated cooking surface) **while the cooking surface is still hot** to avoid the risk of damage to the glass-ceramic surface. **For your safety please wear an oven mitt potholder while cleaning the hot cooking surface.**

### METAL MARKS AND SCRATCHES

- 1 Be careful not to slide pots and pans across your cooktop. It will leave metal markings on the cooktop surface. These marks are removable using the Ceramic Cooktop Cleaner with the Cleaning Pad for Ceramic Cooktops.
- 2 If pots with a thin overlay of aluminum or copper are allowed to boil dry, the overlay may leave black discoloration on the cooktop. This should be removed immediately before heating again or the discoloration may be permanent.

# INSTALLATION INSTRUCTIONS

INSTALLATION INSTRUCTIONS AND SERVICE MUST BE PERFORMED BY A QUALIFIED INSTALLER.

**IMPORTANT: SAVE THESE INSTRUCTIONS FOR LOCAL ELECTRICAL INSPECTOR'S USE. READ AND SAVE THESE INSTRUCTIONS FOR FUTURE REFERENCE.**

## BEFORE YOU BEGIN

Read these instructions completely and carefully.

### **NOTES TO INSTALLER:**

- Read all instructions contained in these installation instructions before installing the cooktop.
- Remove all packing material before connecting the electrical supply to the cooktop.
- Observe all governing codes and ordinances.
- Only certain cooktop models may be installed over certain built-in electric oven models.
- Be sure to leave these instructions with the consumer.

### **NOTE TO CONSUMER:**

Keep this User's Guide and Installation Instructions for future reference.

**NOTE: This appliance must be properly grounded.**

**Damage caused by failure to follow these instructions is not covered by the cooktop warranty.**

## UNPACKING THE COOKTOP

- ① Unpack and visually inspect the cooktop for any damage or missing components.
- ② Be sure the bottle of cleaner and conditioner packed in the literature bag is left where the user can find it easily. It is important that the ceramic-glass cooktop be pretreated before use. See *CARE AND CLEANING*.

# INSTALLATION INSTRUCTIONS

## TECHNICAL SPECIFICATIONS

### *LSCE305ST Radiant Cooktop*

#### **COOKTOP DIMENSIONS**

Width	30-27/32" (783 mm)
Depth	21-23/32" (552mm)
Height	4" (101.6 mm)

#### **COOKING ZONES**

Position	Diameter	Power
Front Left	6" (152 mm)	1200 W
Front Right	9"/6" (229/152 mm)	3000/1400 W
Rear Left	8"/5" (203/127 mm)	1900/950 W
Rear Right	6" (152 mm)	100 W (Warm)
Center	7" (178 mm)	1500 W

#### **COUNTERTOP CUTOUT DIMENSIONS**

Width	29-3/8" (746 mm)
Depth	20-1/4" (515 mm)

#### **ELECTRICAL SPECIFICATIONS**

##### **Connection voltage:**

240/208 VAC 60 Hz.  
32.1A/27.9 A

##### **Maximum connected power load:**

7700 W/5800 W

### *LSCE365ST Radiant Cooktop*

#### **COOKTOP DIMENSIONS**

Width	36-11/16" (932 mm)
Depth	22-15/32" (571mm)
Height	4" (101.6 mm)

#### **COOKING ZONES**

Position	Diameter	Power
Front Left	7" (178 mm)	1800 W (Bridge)
Front Right	9"/6" (229/152 mm)	3000/1400 W
Rear Left	7" (178 mm)	1800 W + 800 W (Bridge)
Rear Right	6" (152 mm)	100 W (Warm)
Center	12"/9"/6" (305/229/152 mm)	3000/2200/1100 W

#### **COUNTERTOP CUTOUT DIMENSIONS**

Width	34-9/16" (878 mm)
Depth	20-3/8" (517 mm)

#### **ELECTRICAL SPECIFICATIONS**

##### **Connection voltage:**

240/208 VAC 60 Hz.  
43.8A/38.0 A

##### **Maximum connected power load:**

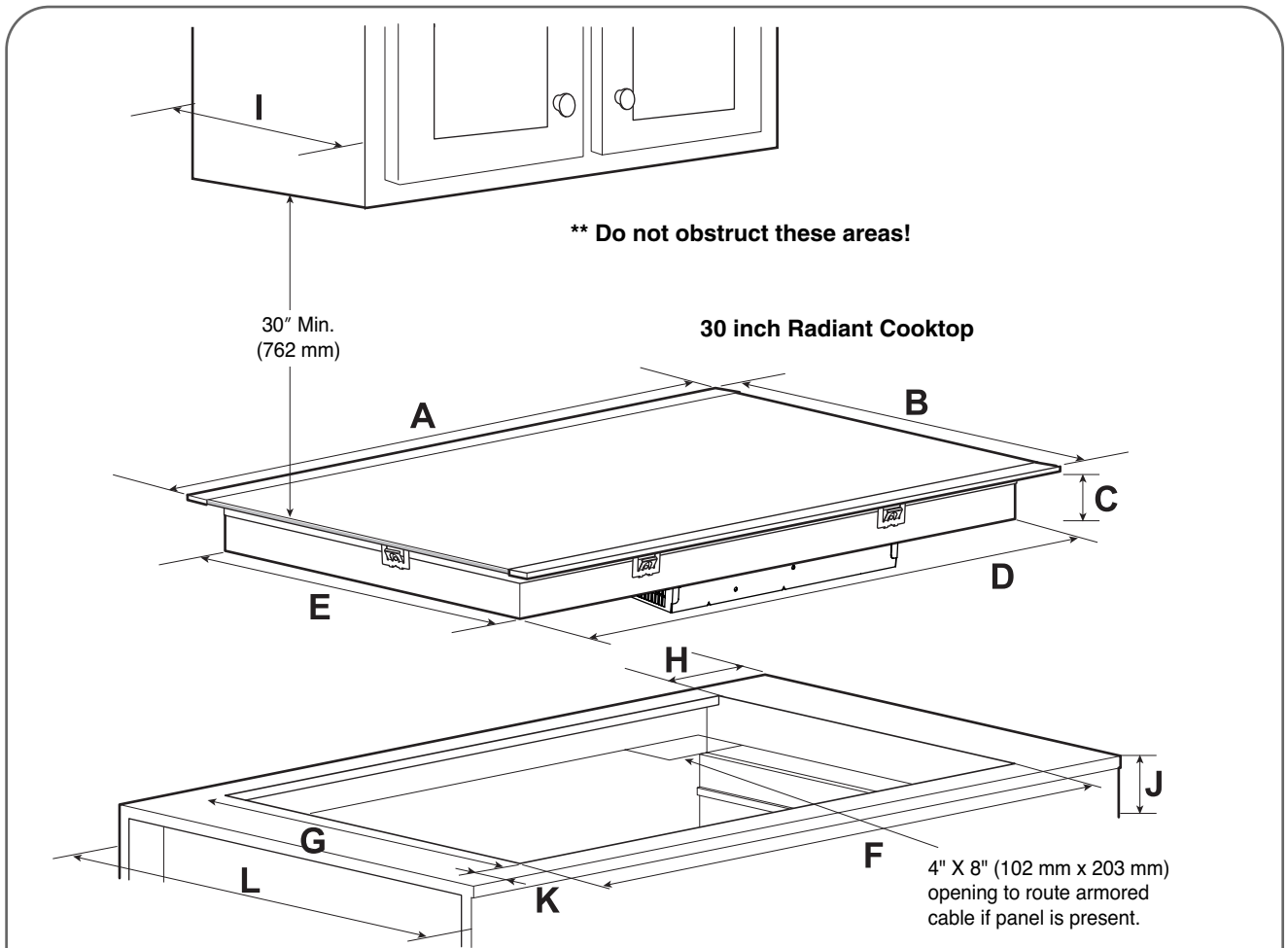
10500 W/7900 W

# INSTALLATION INSTRUCTIONS

## PREPARING THE INSTALLATION LOCATION

### IMPORTANT INSTALLATION INFORMATION

- All electric cooktops run off a single phase, three-wire or four-wire cable, 240/208 volt, 60 hertz, AC-only electrical supply with ground.
- Minimum distance between cooktop and overhead cabinetry is 30" (762 mm).
- Make sure the cabinets and wall coverings around the cooktop can withstand the temperatures (up to 93°C [200°F]) generated by the cooktop.



### LSCE305ST Radiant Cooktop

Unit	A	B	C	D	E	F	G	H	I	J	K	L
						Min	Min		Max	Min		
Inch	30-27/32	21-23/32	3-3/4	28-13/16	19-5/8	29-3/8	20-1/4	13/16	13	5-23/32	2-1/2	24
mm	783	552	95	732	498	746	515	20	330	145	64	610

All dimensions are stated in inches and millimeters (mm).  
 Allow 2" (50 mm) space below the armored cable opening to clear the electric cable and allow space for installation of the junction box on the wall at the back of the cooktop.

# INSTALLATION INSTRUCTIONS

## DIMENSIONS AND CLEARANCES

Overhead cabinet should not exceed a maximum depth of 13" (330 mm).

Min. recommended distance between rear edge of cutout and nearest combustible surface.

36" Min (914 mm)

18" (457 mm)

10" (254 mm)

24" (610 mm)

12" (305 mm)

Empty space is needed underneath the cooktop for installation purposes.

Approximate location of junction box.

**H** Min. from edge of cooktop to nearest combustible wall (either side of unit).

**CAUTION**

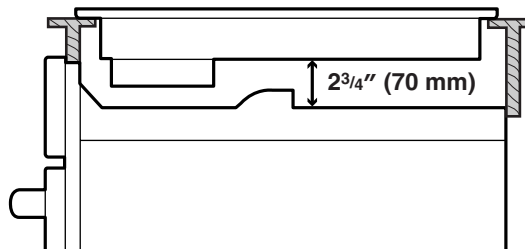
To eliminate the risk of burns or fire by reaching over heated surfaces, cabinet storage space located above the cooktop should be avoided. If cabinet storage is provided, risk can be reduced by installing a range hood that projects horizontally a minimum of 5" (127 mm) beyond the face of the cabinets.

Model	H	K
LSCE305ST	3-3/4" (95 mm)	2-1/2" (64 mm)

**CAUTION**

It is very important to keep 2<sup>3</sup>/<sub>4</sub>" (70 mm) distance between the cooktop and the oven.

■ *Recommend space cooktop and oven*



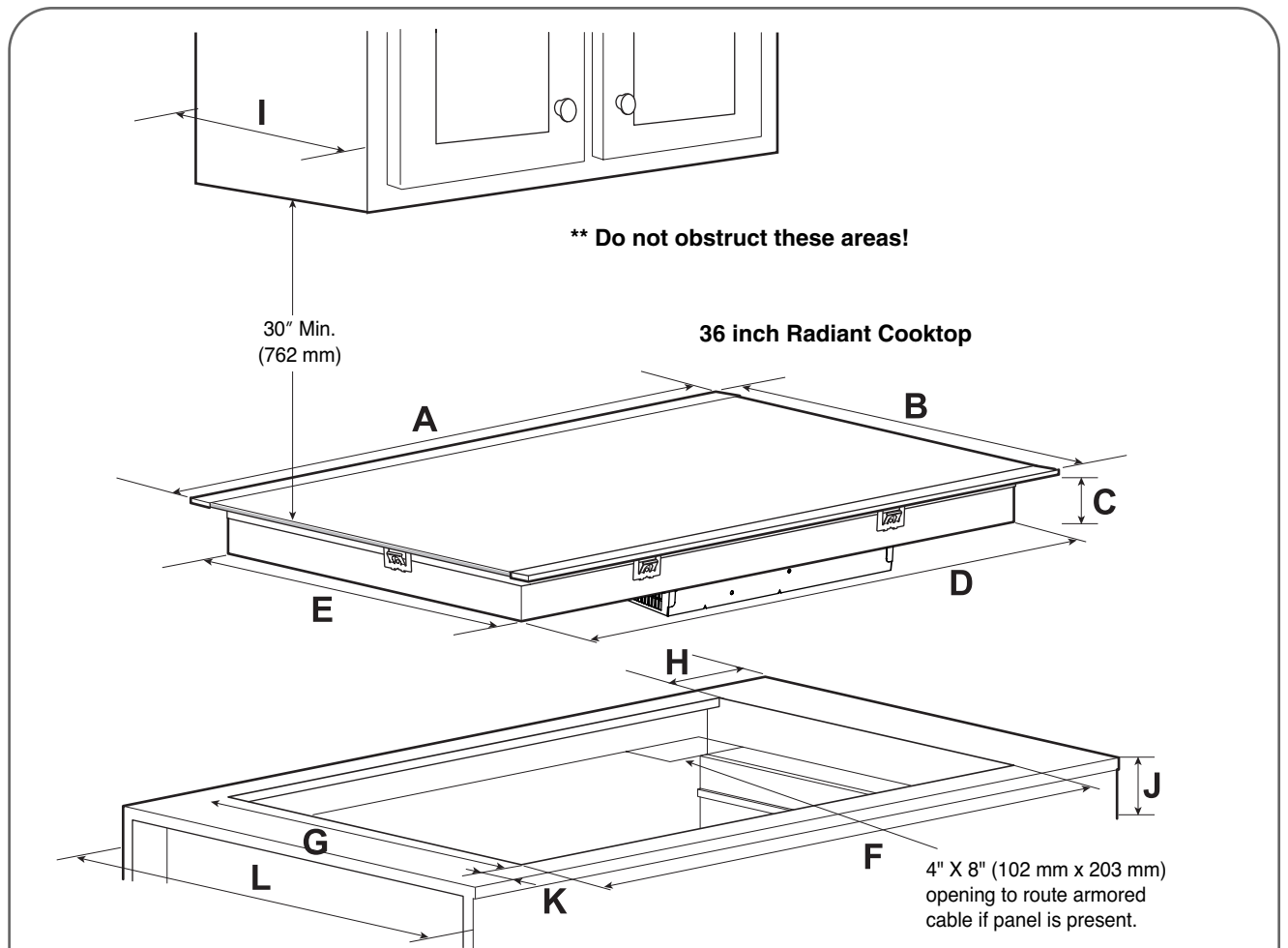


# INSTALLATION INSTRUCTIONS

## PREPARING THE INSTALLATION LOCATION

### IMPORTANT INSTALLATION INFORMATION

- All electric cooktops run off a single phase, three-wire or four-wire cable, 240/208 volt, 60 hertz, AC-only electrical supply with ground.
- Minimum distance between cooktop and overhead cabinetry is 30" (762 mm).
- Make sure the cabinets and wall coverings around the cooktop can withstand the temperatures (up to 93°C [200°F]) generated by the cooktop.



### LSCE365ST Radiant Cooktop

Unit	A	B	C	D	E	F	G	H	I	J	K	L
						Min	Min		Max	Min		
Inch	36-11/16	22-15/32	3-3/4	33-27/32	19-25/32	34-9/16	20-3/8	13/16	13	5-23/32	2-1/2	24
mm	932	571	95	860	502	878	517	20	330	145	64	610

All dimensions are stated in inches and millimeters (mm).  
 Allow 2" (50 mm) space below the armored cable opening to clear the electric cable and allow space for installation of the junction box on the wall at the back of the cooktop.

# INSTALLATION INSTRUCTIONS

## DIMENSIONS AND CLEARANCES

Overhead cabinet should not exceed a maximum depth of 13" (330 mm).

Min. recommended distance between rear edge of cutout and nearest combustible surface.

36" Min (914 mm)

18" (457 mm)

10" (254 mm)

12" (305 mm)

24" (610 mm)

Min. from edge of cooktop to nearest combustible wall (either side of unit).

Empty space is needed underneath the cooktop for installation purposes.

Approximate location of junction box.

**⚠ CAUTION**

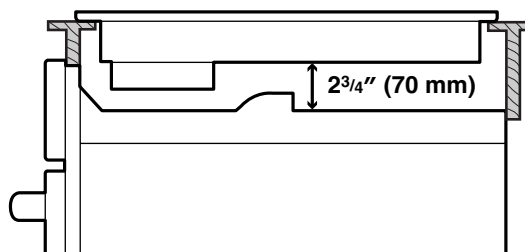
To eliminate the risk of burns or fire by reaching over heated surfaces, cabinet storage space located above the cooktop should be avoided. If cabinet storage is provided, risk can be reduced by installing a range hood that projects horizontally a minimum of 5" (127 mm) beyond the face of the cabinets.

Model	H	K
LSCE365ST	3-3/4" (95 mm)	2-1/2" (64 mm)

**⚠ CAUTION**

It is very important to keep 2<sup>3</sup>/<sub>4</sub>" (70 mm) distance between the cooktop and the oven.

■ **Recommend space cooktop and oven**



## ELECTRICAL CONNECTIONS

### IMPORTANT SAFETY INSTRUCTIONS

- Be sure your cooktop is installed and grounded properly by a qualified installer or service technician.
- This cooktop must be electrically grounded in accordance with local codes or, in their absence, with the National Electrical Code ANSI/NFPA No. 70, latest edition in the United States.

### WARNING

The electrical power to the cooktop must be shut off while line connections are being made. Failure to do so could result in serious injury or death.

### PROVIDING THE ELECTRICAL CONNECTION

Install the junction box under the cabinet and run 120/240 or 120/208 volt, AC wire from the main circuit panel.

**NOTE:** DO NOT connect the wire to the circuit panel at this time.

### ELECTRICAL REQUIREMENTS

Observe all governing codes and local ordinances.

- 1 A 3-wire or 4-wire single-phase 120/240 or 120/208 volt, 60 Hz AC-only electrical supply is required on a separate circuit fused on both sides of the line (time-delay fuse or circuit breaker is recommended). DO NOT fuse neutral. The fuse size must not exceed the circuit rating of the appliance specified on the nameplate.
- 2 36" Radiant cooktop can consume up to 10,500W at 240 VAC. A 50 Amp circuit breaker with wire guage #8 AWG must be used. 30" Radiant cooktop can consume up to 7700W at 240 VAC. A 40 Amp circuit breaker with wire guage #8 AWG must be used.  
**NOTE:** Wire sizes and connections must conform with the fuse size and rating of the appliance in accordance with the National Electrical Code ANSI/NFPA No. 70, latest edition, and local codes and ordinances.
- 3 The appliance should be connected to the fused disconnect (or circuit breaker) box through flexible armored or nonmetallic sheathed cable. The flexible armored cable extending from this appliance should be connected directly to the grounded junction box. The junction box should be located as shown on page 21 or 23 with as much slack as possible remaining in the cable between the box and the appliance, so it can be moved if servicing is ever necessary.
- 4 A suitable strain relief must be provided to attach the flexible armored cable to the junction box.

### WARNING

An extension cord must not be used with this appliance. Such use may result in a fire, electrical shock, or other personal injury.

# INSTALLATION INSTRUCTIONS

## ELECTRICAL CONNECTIONS (cont.)

### ELECTRICAL CONNECTION

Connect the flexible armored cable that extends from the surface unit to the junction box using a suitable strain relief at the point the armored cable enters the junction box. Then make the electrical connection as follows.

**Electrical ground is required on this appliance.**

This appliance is manufactured with a supply wire and a frame connected green or bare copper grounding wire.

### NOTE TO ELECTRICIAN:

The armored cable leads supplied with the appliance are UL-listed for connection to larger gauge household wiring. The insulation of the leads is rated at temperatures much higher than the temperature rating of household wiring. The current-carrying capacity of the conductor wire is governed by the temperature rating of the insulation around the wire, rather than the wire gauge alone.

### ⚠ WARNING

**DO NOT ground to a gas supply pipe. DO NOT connect to electrical power supply until appliance is permanently grounded. Connect the ground wire before turning on the power.**

### ⚠ WARNING

**This appliance is equipped with a copper conductor flexible cable. If connection is made to aluminum house wiring, use only special connectors which are approved for joining copper and aluminum wires in accordance with the National Electrical Code and local codes and ordinances. Improper connection of aluminum house wiring to copper leads can result in a short circuit or fire. Follow the connector manufacturer's recommended procedure closely.**

### WHERE LOCAL CODES PERMIT CONNECTING THE APPLIANCE-GROUNDING CONDUCTOR TO THE NEUTRAL (WHITE) WIRE

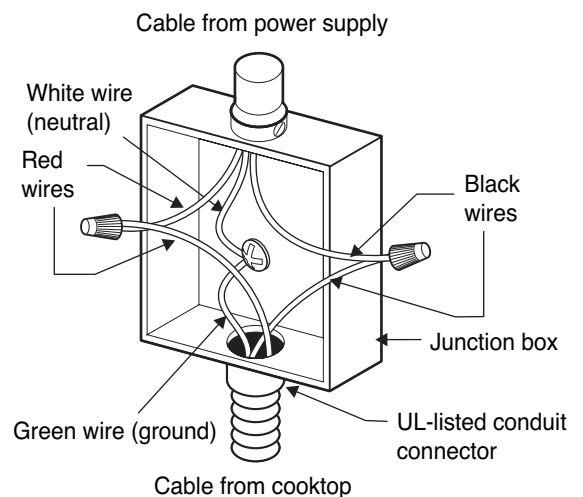
Observe all governing codes and local ordinances.

- 1 Disconnect the power supply.
- 2 At the circuit breaker box, fuse box or junction box, connect appliance and power supply cable wires as shown.

### ⚠ WARNING

**You may not ground the cooktop through the neutral (white) wire if cooktop is used in a new branch circuit installation (1996 NEC), mobile home, recreational vehicle, or where local codes do not permit grounding to the neutral (white) wire. When grounding to the neutral (white) wire is prohibited, you must use a 4-wire power supply cable. Failure to heed this warning may result in electrocution or other serious personal injury.**

### 3-WIRE GROUNDED JUNCTION BOX



# INSTALLATION INSTRUCTIONS

## ELECTRICAL CONNECTIONS (cont.)

**IF COOKTOP IS USED IN A NEW BRANCH CIRCUIT INSTALLATION (1996 NEC), MOBILE HOME, RECREATIONAL VEHICLE, OR WHERE LOCAL CODES DO NOT PERMIT GROUNDING TO THE NEUTRAL (WHITE) WIRE**

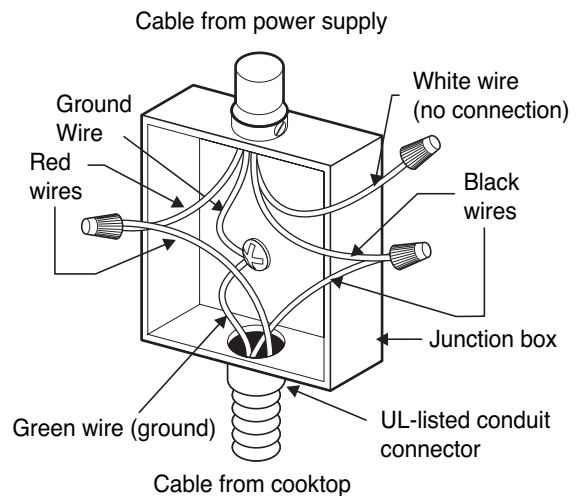
Observe all governing codes and local ordinances.

- 1 Disconnect the power supply.
- 2 At the circuit breaker box, fuse box or junction box, connect appliance and power supply cable wires as shown.

### **⚠ WARNING**

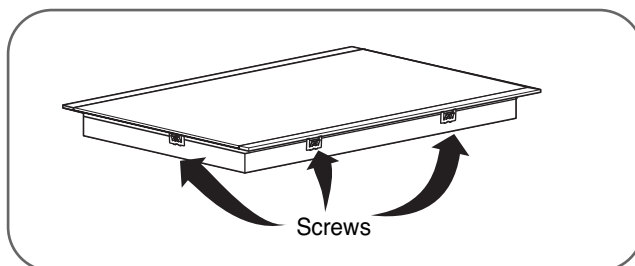
If connecting to a 4-wire power supply cable electrical system, the appliance frame connected ground wire **MUST NOT** be connected to the neutral wire of the 4-wire electrical system.

### 4-WIRE GROUNDED JUNCTION BOX

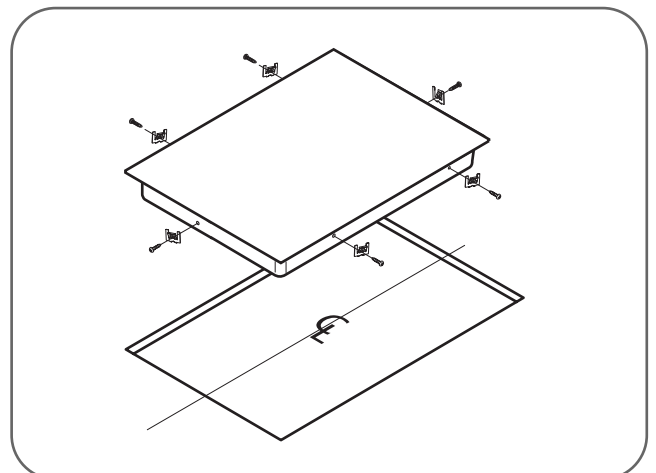


## COOKTOP INSTALLATION

- 1 Visually inspect the cooktop for damage. Make sure all cooktop screws are tight (see below for locations).



- 2 Carefully lower the cooktop into the counter-top cutout, making sure not to trap any wires. **NOTE:** Do not use caulking compound. The cooktop must be removable, should service be required.



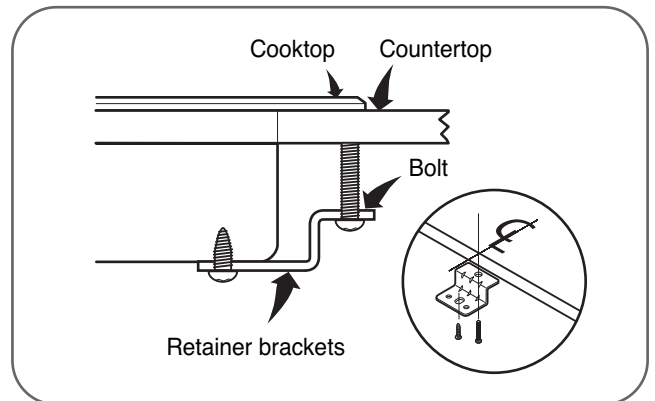
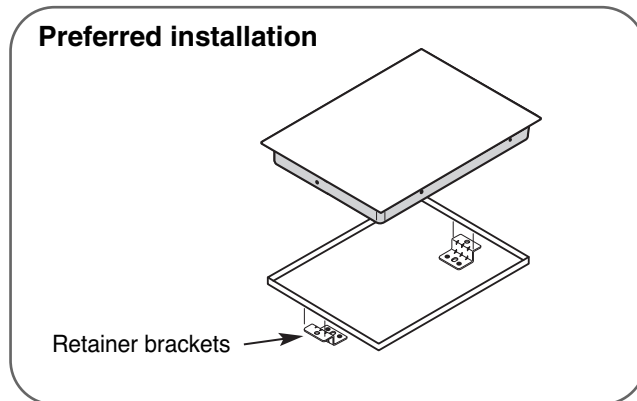
# INSTALLATION INSTRUCTIONS

## COOKTOP INSTALLATION (cont.)

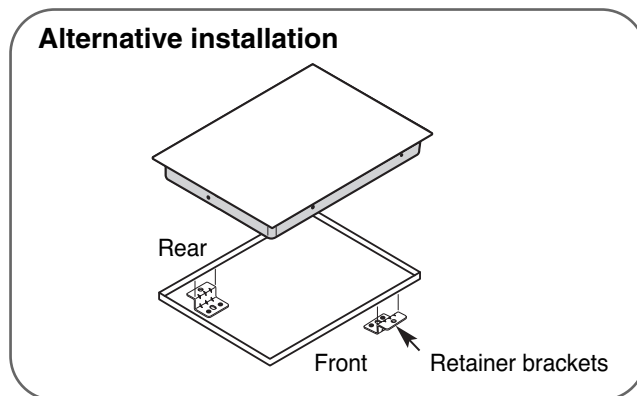
- 3 Install the retainer brackets to the bottom of the cooktop; then snug the bolts against the bottom of the countertop as shown.

**NOTE:** The retainer brackets **MUST** be installed to meet local codes or, in their absence, with the National Electrical Code ANSI/NFPA No. 70, latest edition.

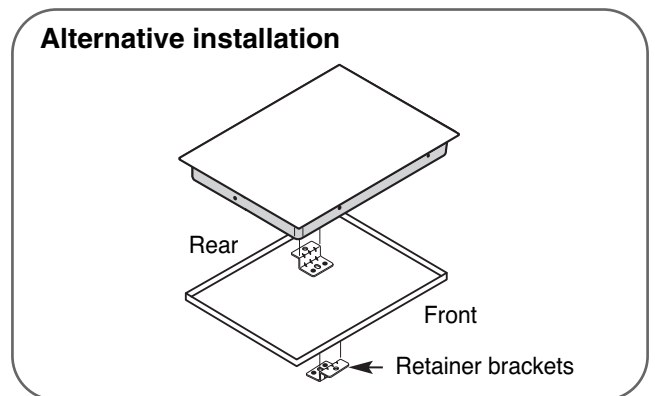
### LSCE305ST / LSCE365ST Radiant Cooktop



### LSCE305ST Radiant Cooktop



### LSCE365ST Radiant Cooktop



## FINAL CHECK

Perform a final operational check of the cooktop, making sure the cooktop powers on properly and that each Cooking Zone operates correctly. Refer to the Operating Instructions in this guide for details.

### MODEL AND SERIAL NUMBER LOCATION

The model and serial numbers are located on a plate on the bottom of the cooktop. Please record them in this guide; you will need them for warranty registration.

## CAUTION

**Do not touch cooktop glass or Cooking Zones. They may be hot enough to cause burns.**

## BEFORE CALLING FOR SERVICE

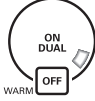

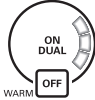
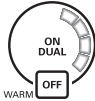
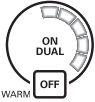
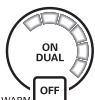
Before you call for service, review this list. It may save you time and expense. This list includes common occurrences that are not the result of a defect in workmanship or materials.

Problem	Possible Causes	Solutions
<b>Cooktop does not work</b>	<ul style="list-style-type: none"> <li>• Cooktop controls are locked.</li> <li>• Circuit breaker has tripped or fuse is blown.</li> <li>• Power outage.</li> <li>• Installation wiring not complete.</li> </ul>	<ul style="list-style-type: none"> <li>• See USING CHILD LOCK to turn off the CHILD LOCK feature.</li> <li>• Reset the circuit breaker.</li> <li>• Check house lights to confirm power outage.</li> <li>• Contact the installer or dealer.</li> </ul>
<b>Cooktop does not heat</b>	<ul style="list-style-type: none"> <li>• Incorrect Cooking Zone selected.</li> <li>• No power to cooktop.</li> </ul>	<ul style="list-style-type: none"> <li>• Make sure the correct control is ON for the Cooking Zone being used.</li> <li>• See “Cooktop does not work” above.</li> </ul>
<b>Elements turns off while cooking.</b>	<ul style="list-style-type: none"> <li>• Cooktop inner temperature too High.</li> </ul>	<ul style="list-style-type: none"> <li>• Check that cooktop has been installed According to the installation instructions.</li> </ul>
<b>Elements do not get hot enough.</b>	<ul style="list-style-type: none"> <li>• Touch controls may not be set properly.</li> <li>• Cookware may not be shape or flat or the correct size.</li> </ul>	<ul style="list-style-type: none"> <li>• Check the power level.</li> <li>• Use the recommended cookware. See the page 8-9.</li> </ul>
<b>A fan sound can be heard.</b>	<ul style="list-style-type: none"> <li>• Cooktop inner temperature is High.</li> </ul>	<ul style="list-style-type: none"> <li>• This is normal. The cooling fan will run when any element is turned on. With the heavy use the fan may continue to run after the controls are turned off until the cooktop has cooled.</li> </ul>



# TROUBLESHOOTING

## BEFORE CALLING FOR SERVICE

Problem	Possible Causes	Solutions
<b>Flashing</b> 	<ul style="list-style-type: none"> <li>• There is a fault with thermistor or Micom.</li> </ul>	<ul style="list-style-type: none"> <li>• Turn the cooktop off using the Power ON/OFF. Turn cooktop back on using the Power ON/OFF.</li> </ul>
<b>Flashing</b> 		
<b>Flashing</b> 		
<b>Flashing</b> 	<ul style="list-style-type: none"> <li>• Food spill/soil on touchpads.</li> <li>• Object placed on touchpad.</li> <li>• Touch time is long.</li> </ul>	<ul style="list-style-type: none"> <li>• Clean the surface.</li> <li>• Remove object from the touch pad.</li> <li>• If any one of the keys is touched for more than 10 seconds continuously, this error will be displayed.</li> <li>• If water or a metal object is placed on the touchpad this error will be displayed.</li> <li>• Turn the cooktop off using the Power ON/OFF. Turn cooktop back on using the Power ON/OFF.</li> </ul>
<b>Flashing</b> 	<ul style="list-style-type: none"> <li>• There is a fault with Display.</li> </ul>	<ul style="list-style-type: none"> <li>• Turn the cooktop off using the Power ON/OFF. Turn cooktop back on using the Power ON/OFF.</li> </ul>
<b>Flashing</b> 	<ul style="list-style-type: none"> <li>• Low voltage detection</li> </ul>	<ul style="list-style-type: none"> <li>• This represents low voltage to the cooktop. Call a licensed electrician.</li> </ul>

# LG ELECTRONICS, INC.

## LG RADIANT COOKTOP LIMITED WARRANTY - USA

LG Electronics Inc. will repair or replace your product, at LG's option, if it proves to be defective in material or workmanship under normal use, during the warranty period set forth below, effective from the date of original consumer purchase of the product. This limited warranty is good only to the original purchaser of the product and effective only when used in U.S.A.

WARRANTY PERIOD:	WHAT IS COVERED:
<b>Two years</b> from date of original purchase	<b>Any part</b> of the cooktop which fails due to a defect in materials or workmanship. During this <b>full two-years warranty</b> , LG will also provide, <b>free of charge</b> , all labor and in-home service to replace the defective part.
Please retain dealer's dated bill of sale as evidence of the Date of Purchase for proof of warranty, and submit a copy of the bill of sale to the service person at the time warranty service is provided. Please call <b>1-800-243-0000</b> and choose the appropriate option to locate your nearest LG Authorized Service Center. Or visit our Web site at <b>www.lg.com</b>	

**THIS WARRANTY IS IN LIEU OF ANY OTHER WARRANTIES, EXPRESS OR IMPLIED, INCLUDING WITHOUT LIMITATION, ANY WARRANTY OF MERCHANTABILITY OR FITNESS FOR A PARTICULAR PURPOSE. TO THE EXTENT ANY IMPLIED WARRANTY IS REQUIRED BY LAW, IT IS LIMITED IN DURATION TO THE EXPRESS WARRANTY PERIOD ABOVE. LG WILL NOT BE LIABLE FOR ANY CONSEQUENTIAL, INDIRECT, OR INCIDENTAL DAMAGES OF ANY KIND, INCLUDING LOST REVENUES OR PROFITS, IN CONNECTION WITH THE PRODUCT. SOME STATES DO NOT ALLOW LIMITATION ON HOW LONG AN IMPLIED WARRANTY LASTS OR THE EXCLUSION OF INCIDENTAL OR CONSEQUENTIAL DAMAGES, SO THE ABOVE LIMITATIONS OR EXCLUSIONS MAY NOT APPLY TO YOU.**

**THIS LIMITED WARRANTY DOES NOT APPLY TO:**

1. Service calls to correct the installation of your appliance, to instruct you how to use your appliance, to replace house fuses or correct house wiring, or to replace owner-accessible light bulbs.
2. Repairs when your appliance is used in other than normal, single-family household use.
3. Pickup and delivery. Your appliance is designed to be repairable in the home.
4. Damage resulting from accident, alteration, misuse, abuse, fire, flood, improper installation, acts of God, or use of products not approved by LG Corporation.
5. Repairs to parts or systems resulting from unauthorized modifications made to the appliance.
6. Replacement parts or repair labor costs for units operated outside the United States.
7. Any labor costs during the limited warranty period.

This warranty is extended to the original purchaser and for products purchased for home use within the USA. In Alaska, the warranty excludes the cost of shipping or service calls to your home. Some states do not allow the exclusion or limitation of incidental or consequential damages, so this exclusion or limitation may not apply to you. This warranty gives you specific legal rights, and you may also have other rights which vary from state to state. To know what your legal rights are, consult your local or state consumer affairs or your state's Attorney General.

**TO CONTACT LG ELECTRONICS BY MAIL:**

LG Customer Interactive Center  
 P. O. Box 240007  
 201 James Record Road  
 Huntsville, Alabama 35824  
 ATTN: CIC

# MEMO



# MANUAL DEL PROPIETARIO ESTUFA DE VIDRIO CERÁMICO RADIANTE

Lea esta guía con detenimiento antes de utilizar el aparato y manténgala a mano para referencia en todo momento.

LSCE305ST  
LSCE365ST

[www.lg.com](http://www.lg.com)

# INTRODUCCIÓN

## INFORMACIÓN IMPORTANTE DE SEGURIDAD

Precauciones importantes de seguridad ..... 3-7

## CONSEJOS SOBRE LOS RECIPIENTES DE COCCIÓN

Cómo seleccionar recipientes de cocción.....8-9

## PIEZAS Y CARACTERÍSTICAS

Piezas y características de su estufa.....10

Características de control táctiles .....11

## INSTRUCCIONES DE OPERACIÓN

Antes de usar la estufa .....12

Cómo configurar los controles .....12-14

Cómo usar las zonas de calentamiento .....14

Cómo usar las zonas de cocción puente .....15

Cómo usar las zonas de cocción triples..... 16

Cómo usar las zonas de cocción dobles .....16

Cómo usar el bloqueo para niños .....17

Otras funciones .....17

## CUIDADO Y LIMPIEZA

Cómo limpiar la estufa .....18

## INSTRUCCIONES DE INSTALACIÓN

Antes de comenzar .....19

Cómo desempacar la estufa .....19

Especificaciones técnicas .....20

Cómo preparar la ubicación de instalación .....21

Dimensiones y espacios .....22

Cómo preparar la ubicación de instalación .....23

Dimensiones y espacios .....24

Conexiones eléctricas .....25-27

Instalación de la estufa .....27-28

Control final .....28

## IDENTIFICACIÓN Y SOLUCIÓN DE PROBLEMAS

Antes de llamar al servicio técnico.....29-30

## GARANTÍA

Garantía para clientes de los EE.UU. ....31

## ¡GRACIAS!

Felicitaciones por su compra y bienvenido a la familia de LG.

Su nueva estufa RADIANTE LG combina características de cocción de precisión con una operación simple y un diseño de estilo. Siguiendo las instrucciones de operación y cuidado de este manual, su estufa le brindará muchos años de servicio confiable.

Las imágenes de esta guía podrían ser diferentes a los componentes y accesorios reales, que están sujetos a cambios a discreción del fabricante, sin previo aviso, con fines de mejorar el producto.

### ***Información sobre registro de producto***

Modelo: \_\_\_\_\_

Número de serie: \_\_\_\_\_

Fecha de compra: \_\_\_\_\_

# INFORMACIÓN IMPORTANTE DE SEGURIDAD

## LEA TODAS LAS INSTRUCCIONES ANTES DE USAR

Puede descargar un manual del usuario y de instalación en <http://www.lg.com>.

**⚠️ ADVERTENCIA** Para su seguridad, debe seguirse la información de este manual a fin de minimizar el riesgo de incendio, descarga eléctrica o para prevenir daños a la propiedad, lesiones personales o la muerte.

## PRECAUCIONES DE SEGURIDAD

- **Instalación adecuada:** Asegúrese de que un técnico calificado instale y conecte a tierra correctamente su aparato de acuerdo con el Código Eléctrico Nacional ANSI/NFPA No. 70, última edición en los Estados Unidos, y con todos los requisitos de códigos locales. Instale sólo según las instrucciones de instalación.
- No intente reparar o cambiar ninguna pieza de su estufa a menos que esté específicamente recomendado en este manual. Cualquier otro servicio debe realizarlo un técnico calificado.
- Quite toda la cinta y envoltorio de embalaje antes de utilizar el aparato. Destruya el cartón y las bolsas plásticas después de desempacar el aparato. Nunca permita que los niños jueguen con el material de empaque.
- Los aspectos de seguridad de este aparato cumplen con normas técnicas aceptadas.
- **Sepa cómo desconectar la energía eléctrica hacia el aparato desde el interruptor de circuitos o caja de fusibles en caso de una emergencia.** Marque el interruptor o fusible para una identificación sencilla y una acción rápida si así fuese necesario.
- **No repare o reemplace ninguna pieza del aparato.** Todas las reparaciones debe realizarlas un técnico calificado para evitar el riesgo de lesiones personales y daños al aparato.
- **Nunca modifique o altere la construcción de un aparato, como la remoción de paneles, cubiertas de cableado o cualquier otra pieza permanente del producto.**
- **Almacenamiento en el aparato: No deben almacenarse materiales inflamables cerca o sobre la superficie de cocción.** Esto incluye elementos de papel, plástico o tela, tales como libros de cocina, recipientes de plástico o toallas, además de líquidos inflamables. No almacene explosivos, tales como latas de aerosol, sobre o cerca del aparato. Los materiales inflamables pueden explotar y provocar un incendio o daños a la propiedad.
- **No deje a los niños solos. No hay que dejar a los niños solos o desatendidos en el área donde un aparato se encuentra en funcionamiento.**

Nunca debe permitirse que se sienten o se paren en cualquier parte de este aparato.

- **No almacene o use gasolina u otros vapores o líquidos inflamables cerca de este o cualquier otro aparato.**

### ⚠️ PRECAUCIÓN

Ciertos elementos de interés para los niños no deben almacenarse en gabinetes ubicados por encima de una estufa o en el salpicadero de una estufa: los niños que se suban a la estufa para alcanzar elementos podrían resultar gravemente heridos.

### ⚠️ ADVERTENCIA

Nunca use su aparato para calentar una habitación.

### ⚠️ PRECAUCIÓN

**NO toque las zonas de cocción o las áreas cercanas a estas superficies.** Las zonas de cocción pueden estar calientes debido al calor residual aunque su color sea oscuro.

Las áreas cercanas a las zonas de cocción pueden calentarse como para provocar quemaduras. Durante y después del uso, no toque o permita que su vestimenta u otros materiales inflamables entren en contacto con estas áreas hasta que haya pasado el tiempo suficiente para que se enfríen.

### ⚠️ PRECAUCIÓN

Nunca use vestimentas holgadas o amplias mientras utilice este aparato.

- Siempre apague los controles cuando haya finalizado la cocción.
- Nunca permita que los niños se sienten o paren sobre ninguna pieza del aparato ya que pueden lastimarse o quemarse.

# INFORMACIÓN IMPORTANTE DE SEGURIDAD

## LEA TODAS LAS INSTRUCCIONES ANTES DE USAR

### PRECAUCIONES DE SEGURIDAD (cont.)

- **Utilice ropa adecuada.** Nunca debe utilizar ropa suelta o que cuelgue mientras utiliza este electrodoméstico. No permita que su ropa u otros materiales inflamables entren en contacto con las superficies calientes.
- **No utilice agua o harina en incendios de grasa.** Apague el incendio con la tapa de una sartén, o utilice bicarbonato de sodio o un extintor de químico seco o de espuma.
- **Cuando caliente grasa, obsérvela con atención.** La grasa puede prenderse fuego si se deja calentar demasiado.
- **Sólo utilice agarraderas secas.** Las agarraderas húmedas o mojadas sobre superficies calientes pueden provocar quemaduras de vapor. No permita que las agarraderas entren en contacto con las unidades de superficie. No utilice toallas u otras telas gruesas en lugar de una agarradera.
- **No caliente recipientes cerrados de alimentos.** La presión acumulada puede hacer que el recipiente explote y provoque lesiones.

### SEGURIDAD ELÉCTRICA

#### **⚠ ADVERTENCIA**

- Si la superficie se encuentra agrietada, desenchufe el aparato para evitar la posibilidad de una descarga eléctrica. No vuelva a utilizar su ESTUFA hasta que se haya cambiado la superficie de vidrio.
- Cuando utilice la ESTUFA, nunca use papel de aluminio, productos envueltos en papel de aluminio o alimentos muy congelados en recipientes de cocción de aluminio.
- Si el cable eléctrico está dañado, el fabricante o su agente de servicio técnico o una persona calificada similar debe reemplazarlo a fin de evitar un riesgo.

- La instalación y conexión del nuevo aparato sólo debe efectuarla personal calificado.
- Los aparatos con montaje empotrado sólo pueden operarse siguiendo la instalación en gabinetes adecuados y sitios de trabajo que cumplan con las normas pertinentes. Esto garantiza una suficiente protección contra descargas eléctricas según lo requieren las agencias de certificación.
- Si su aparato no funciona bien o se rompe, desenchufe todas las zonas de cocción y comuníquese con el Centro de Servicios.

### SEGURIDAD PARA NIÑOS

#### **⚠ ADVERTENCIA**

- Este aparato no debe ser utilizado por niños pequeños o personas débiles a menos que reciban una supervisión adecuada por parte de una persona responsable a fin de garantizar que puedan utilizar el aparato de manera segura.
- Los niños pequeños deben recibir supervisión para garantizar que no jueguen con el electrodoméstico.
- Las piezas accesibles pueden calentarse durante el uso. Los niños deben permanecer alejados.



# INFORMACIÓN IMPORTANTE DE SEGURIDAD

## LEA TODAS LAS INSTRUCCIONES ANTES DE USAR

### SEGURIDAD DURANTE EL USO

- **Este aparato sólo puede utilizarse para cocción y fritura normales en el hogar.** No se encuentra diseñado para fines comerciales o industriales.
- **No utilice la estufa para calentar la habitación.**
- **Tenga cuidado al enchufar aparatos eléctricos cerca de la estufa.** Los cables no deben entrar en contacto con la superficie caliente. Esto podría provocar daños a la estufa y la aislación del cable.
- **Las grasas y aceites que se calientan de más se prenden fuego rápidamente.** Debe supervisarse la cocción cuando prepare alimentos en grasa o aceite.
- **Cuando termine de usarlo, apague el elemento el control y confíe en el detector de sartén.**
- **Siempre mantenga los paneles de control limpios y secos.** No deje líquidos o grasa en el área de controles de la estufa. Los alimentos derramados o quemados pueden activar o desactivar el electrodoméstico. Limpie bien el área de controles para continuar con un funcionamiento normal del aparato.
- **Nunca coloque productos combustibles sobre la estufa.**
- **Nunca conserve productos combustibles o latas de aerosol en un cajón ubicado bajo la estufa.**
- **No coloque utensilios de cocina de metal sobre las áreas de superficie de cocción.** Los objetos metálicos pueden calentarse y provocar quemaduras.
- **Sepa qué tecla táctil controla cada superficie de las zonas de cocción.**
- **Limpie el artefacto regularmente para mantener todas las piezas libres de grasa, lo que podría ocasionar un incendio.** Las campanas de ventilación de los ventiladores de extracción y los filtros de grasa deben mantenerse limpios. No permita la acumulación de grasa en la campana o en el filtro. Los depósitos grasos del ventilador pueden prenderse fuego. Para la limpieza, lea las instrucciones del fabricante de la campana.
- **Utilice tamaños de recipientes adecuados.** Este artefacto está equipado con una o más unidades de superficie de diferentes tamaños. Elija recipientes con bases planas lo suficientemente grandes para cubrir el elemento calentador de la unidad de superficie. La utilización de recipientes más pequeños dejará expuesta una porción del elemento calentador al contacto directo, lo que puede provocar la quemadura de su vestimenta. Una relación adecuada del recipiente con el quemador también mejorará la eficiencia.
- **Si el recipiente es más pequeño que el elemento,** una porción del elemento quedará expuesta al contacto directo, lo que puede prender fuego su ropa o la agarradera.
- **No coloque ningún objeto sobre o cerca del área de las teclas táctiles para evitar la activación accidental de los controles de la estufa.**
- **Las manijas de los recipientes deben girarse hacia adentro y no deben extenderse sobre las unidades de superficie adyacentes.**  
Para reducir el riesgo de quemaduras, el encendido de materiales inflamables y el derrame debido a un contacto accidental con el recipiente, la manija del utensilio debe colocarse hacia adentro y no debe extenderse sobre unidades de superficie adyacentes.
- **Nunca deja alimentos preparados en las zonas de cocción.** Los alimentos que hierven y se derraman pueden provocar humo y derrames grasos que pueden prenderse fuego, o un recipiente que hierve en seco puede derretirse o dañarse.
- **Revestimientos protectores: No utilice papel de aluminio para revestir ninguna parte de la estufa.** Sólo utilice papel de aluminio como se recomienda después del proceso de cocción, si se usa como un recubrimiento para colocar sobre los alimentos. Cualquier otro uso del papel de aluminio puede provocar un riesgo de descarga eléctrica, incendio o cortocircuito.
- **Utensilios de cocción vidriados: Sólo ciertos tipos de recipientes de vidrio, vidrio/cerámica, cerámica, barro cocido u otros recipientes vidriados pueden utilizarse sobre la estufa sin romperse debido al cambio repentino de temperatura.** Consulte las recomendaciones del fabricante para el uso sobre la estufa.
- **Campana de ventilación: La campana de ventilación sobre la superficie de cocción debe limpiarse frecuentemente, para que la grasa proveniente de los vapores de cocción no se acumule en la campana o filtro.**
- **No limpie u opere una estufa rota.** Si la estufa se rompe, las soluciones de limpieza y los derrames pueden penetrar en la estufa rota y crear un riesgo de descarga eléctrica. Comuníquese con un técnico calificado de inmediato.
- **Tenga cuidado al limpiar la superficie de cocción.** No utilice esponjas ni trapos para limpiar derrames en una superficie caliente. Utilice un raspador metálico adecuado.



# INFORMACIÓN IMPORTANTE DE SEGURIDAD

## SEGURIDAD DURANTE EL USO (cont.)

- **No coloque recipientes de cocción calientes sobre el vidrio frío de la estufa.** Esto puede provocar la rotura del vidrio.
- **No deslice recipientes sobre la superficie de la estufa.** Pueden rayar la superficie de la estufa.
- **No deje que los recipientes hiervan en seco.** Esto puede provocar un daño permanente en forma de rotura, fusión o marcas que pueden afectar la estufa de vidrio cerámico. (Estos daños no se encuentran cubiertos por la garantía).
- **Nunca deje unidades de superficie desatendidas en configuraciones de calor altas.** Los alimentos que hierven y se derraman provocan humo y derrames grasosos que pueden prenderse fuego.
- Apague el incendio o llamas dentro de un recipiente con una tapa o plancha para galletas. **NUNCA** levante o mueva una sartén en llamas.
- No utilice agua en incendios de grasa. Utilice bicarbonato de sodio o un extintor de químico seco o de espuma para apagar un incendio o llamas.
- **Siempre apague los controles cuando haya finalizado la cocción.**
- **Asegúrese de saber qué teclas del control operan cada unidad de superficie.** Verifique haber encendido la unidad de superficie correcta.
- **Use sólo agarraderas secas.** Las agarraderas húmedas o mojadas sobre superficies calientes pueden provocar quemaduras de vapor. No permita que la agarradera toque los elementos calentadores. No use una toalla u otra tela gruesa.

## SEGURIDAD DURANTE LA LIMPIEZA

- **Siempre desconecte el aparato antes de limpiarlo.**
- **Por razones de seguridad, no limpie el aparato con un limpiador de chorro de vapor o de alta presión.**
- **Limpie la estufa de acuerdo con las instrucciones de mantenimiento y limpieza de este manual.**
- **No debe utilizarse un limpiador de vapor con esta estufa.**
- **No use limpiadores abrasivos fuertes o raspadores de metal ásperos para limpiar el vidrio de la estufa ya que pueden rayar la superficie, y provocar la rotura del vidrio.**
- **Tenga cuidado al limpiar la superficie de cocción.** No utilice esponjas ni trapos para limpiar derrames en una superficie caliente. Utilice un raspador metálico adecuado.

## COCINE CARNES DE RES Y DE AVE POR COMPLETO

Cocine carnes de res y de ave por completo: La carne de res hasta alcanzar una temperatura INTERNA de por lo menos 160°F y la carne de ave a una temperatura INTERNA de por lo menos 180°F.

La cocción a estas temperaturas generalmente protege de enfermedades transmitidas por los alimentos.

# INFORMACIÓN IMPORTANTE DE SEGURIDAD

## CÓMO EVITAR DAÑOS AL APARATO

- Antes de utilizar la estufa por primera vez, aplique la crema de limpieza recomendada para la superficie de cerámica. Pule con un paño no abrasivo. Esto facilitará la limpieza de la suciedad generada durante la cocción. La crema de limpieza especial para estufas deja una película protectora sobre el vidrio para ayudar a prevenir rayones y abrasiones.
  - No utilice la estufa como una superficie de trabajo o un espacio de almacenamiento.
  - Tenga cuidado con los extremos cuando traslade cacerolas y sartenes.
  - No utilice las zonas de cocción con cacerolas y sartenes vacías.
  - No encienda las zonas de cocción sin cacerolas o sartenes sobre los elementos.
  - El vidrio cerámico es muy fuerte y altamente resistente a los cambios bruscos de temperatura pero no es irrompible. Puede dañarse si caen sobre él objetos duros o afilados.
  - Tenga mucho cuidado al usar ollas hechas de hierro fundido u otras ollas con bordes ásperos o rebabas. Al moverlos puede rayarse el vidrio.
  - Si azúcar o una mezcla que contenga azúcar cae sobre una zona caliente de cocción y se derrite, quítela inmediatamente, mientras esté caliente. Si se deja enfriar, puede dañar la superficie cuando se la quite.
  - No deslice metal o vidrio sobre la superficie de la estufa.
  - Mantenga objetos o materiales que puedan derretirse alejados de superficies de vidrio cerámico, por ejemplo, utensilios de plástico, papel de aluminio o envoltorios de cocina.  
Si materiales o alimentos se derriten sobre la superficie de vidrio cerámico, éstos deben limpiarse inmediatamente.
- NOTA: ¡Existe el riesgo de quemarse cuando se utiliza el raspador de vidrio sobre una zona de cocción caliente!**
- No utilice recipientes de cocción con acumulaciones de suciedad en la base.
  - No utilice recipientes de cocción con bases ásperas o irregulares. Esos recipientes de cocción pueden marcar y rayar la superficie de la estufa.
  - Consulte el manual del propietario sobre limpieza y mantenimiento correctos de la estufa.
  - **No use la superficie de vidrio de la estufa como una tabla para cortar.**
  - **Nunca cocine directamente sobre el vidrio. Siempre utilice recipientes de cocción.**

### PRECAUCIÓN

**Peligro de quemaduras:** Las zonas de cocción pueden parecer frías cuando se encienden (ON) y después de haberse apagado (OFF).

## ELIMINACIÓN DE APARATOS ANTIGUOS


Para proteger el medio ambiente, resulta importante que los aparatos gastados se eliminen de la manera correcta.

- El aparato no debe eliminarse junto con los residuos hogareños.
- Usted puede obtener información sobre fechas de recolección o sitios de eliminación de desechos públicos en el consejo de salud local o dirección de salud ambiental.

### PRECAUCIÓN

**Antes de eliminar los aparatos antiguos, tenga a bien dejarlos inoperables para que no puedan ser una fuente de peligro. Para lograrlo, haga que una persona calificada desconecte el aparato del circuito del hogar.**

## ACTO DE REFORZAMIENTO DE LA INGESTA SEGURA DE AGUA LIBRE DE TOXICOS

** ADVERTENCIA:** Este producto contiene químicos conocidos por el estado de California por causar cáncer, malformaciones de nacimiento u otros daños reproductivos. **Lávese bien las manos después de su manipulación.**

**LEA Y SIGA ESTA INFORMACIÓN DE SEGURIDAD CUIDADOSAMENTE**

**GUARDE ESTAS INSTRUCCIONES**

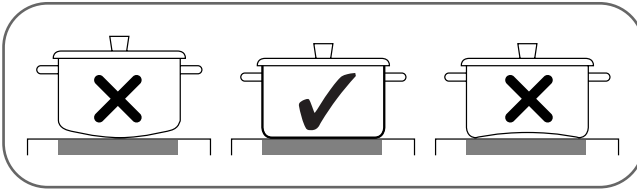
# CONSEJOS SOBRE LOS RECIPIENTES DE COCCIÓN

## CÓMO SELECCIONAR RECIPIENTES DE COCCIÓN

### OLLAS Y SARTENES

Cuanto mejor sea la olla, mejores serán los resultados de la cocción.

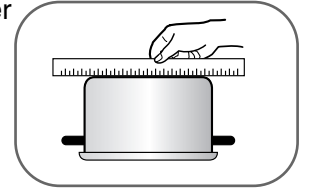
- Las buenas ollas y sartenes se reconocen por sus bases. Deben ser lo más gruesas y planas posible.



- Las ollas con bases de aluminio o cobre pueden provocar una decoloración metálica sobre la superficie de vidrio cerámico, que resulta muy difícil o imposible de remover.
- Tenga mucho cuidado al usar ollas de hierro fundido u ollas con bases dañadas que sean ásperas o que tengan rebabas. Pueden provocarse rayones si se deslizan sobre la superficie.
- Cuando están frías, las bases de las ollas tienen una ligera inclinación hacia adentro (cóncava). Nunca deben tener una inclinación hacia afuera (convexa).
- Si desea utilizar un tipo de olla especial (ej., una olla de presión, sartén para fuego lento, wok), tenga a bien seguir las instrucciones del fabricante y no use una sartén muy delgada.

### UTILICE RECIPIENTES DE COCCIÓN DE BASE PLANA

Los recipientes deben hacer contacto total sobre la superficie del elemento de cocción. Utilice sartenes de base plana del tamaño adecuado para el elemento de cocción y la cantidad de alimentos que se están preparando. Verifique que sea plana girando una regla sobre la base del recipiente.



# CONSEJOS SOBRE LOS RECIPIENTES DE COCCIÓN

## CÓMO SELECCIONAR RECIPIENTES DE COCCIÓN (cont.)

### CÓMO EVITAR RAYONES

Se recomienda siempre utilizar recipientes de acero inoxidable de un grosor más elevado sobre la superficie de cerámica de la estufa. Esto ayudará a reducir la posibilidad de provocar rayones sobre la superficie de cerámica.

Los recipientes de mala calidad pueden rayar la superficie de la estufa.

Los recipientes siempre deben levantarse sobre la superficie de cerámica de la estufa para evitar rayarla.

Deslizar cualquier clase de recipiente sobre la estufa de cerámica puede afectar la apariencia total de la estufa. Con el paso del tiempo, deslizar CUALQUIER clase de recipiente sobre la estufa de cerámica puede alterar la apariencia total de la estufa. Finalmente, la acumulación de rayones puede dificultar la limpieza de la superficie y afectar la apariencia total de la estufa.

Los rayones también se pueden provocar debido a granos de arena (ej., después de lavar vegetales) que se arrastran con la olla a través de la superficie de cocción.

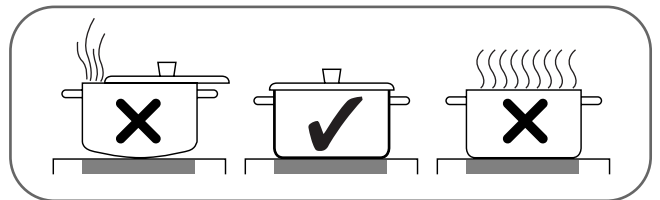
### PARA MEJORES RESULTADOS:

Siempre siga las recomendaciones del tipo y tamaño adecuados del recipiente: Además:

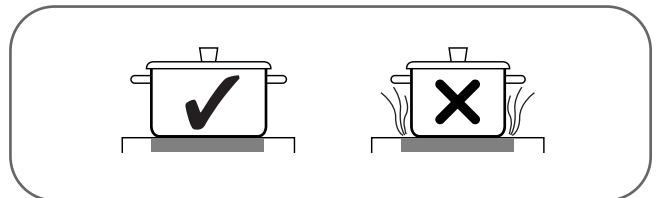
- No utilice sartenes sucias con acumulación de grasa. Siempre utilice recipientes fáciles de lavar después de la cocción y asegúrese de que las bases de los recipientes estén limpias y secas.
- Cuando cocine con grandes cantidades de líquido, utilice ollas grandes para que no hiervan y se derramen.
- No deje que los recipientes hiervan en seco. Esto puede provocar un daño permanente en forma de rotura, fusión o marcas que pueden afectar la estufa de vidrio cerámico. (Estos daños no se encuentran cubiertos por la garantía).
- Utilice el tamaño de olla y la zona de cocción que correspondan a la cantidad de alimentos que se están preparando.

### CONSEJOS PARA AHORRAR ENERGÍA:

- Siempre coloque las ollas y sartenes antes de encender la zona de cocción.
- Las zonas de cocción y los recipientes sucios utilizan más electricidad.
- Cuando sea posible, siempre tenga la tapa firmemente colocada sobre las ollas y sartenes para que queden completamente cubiertas.



- Apague las zonas de cocción antes del final del tiempo de cocción para utilizar el calor residual a fin de mantener los alimentos calientes o derretir algún producto.
- La base de la olla debe tener el mismo tamaño de la zona de cocción.



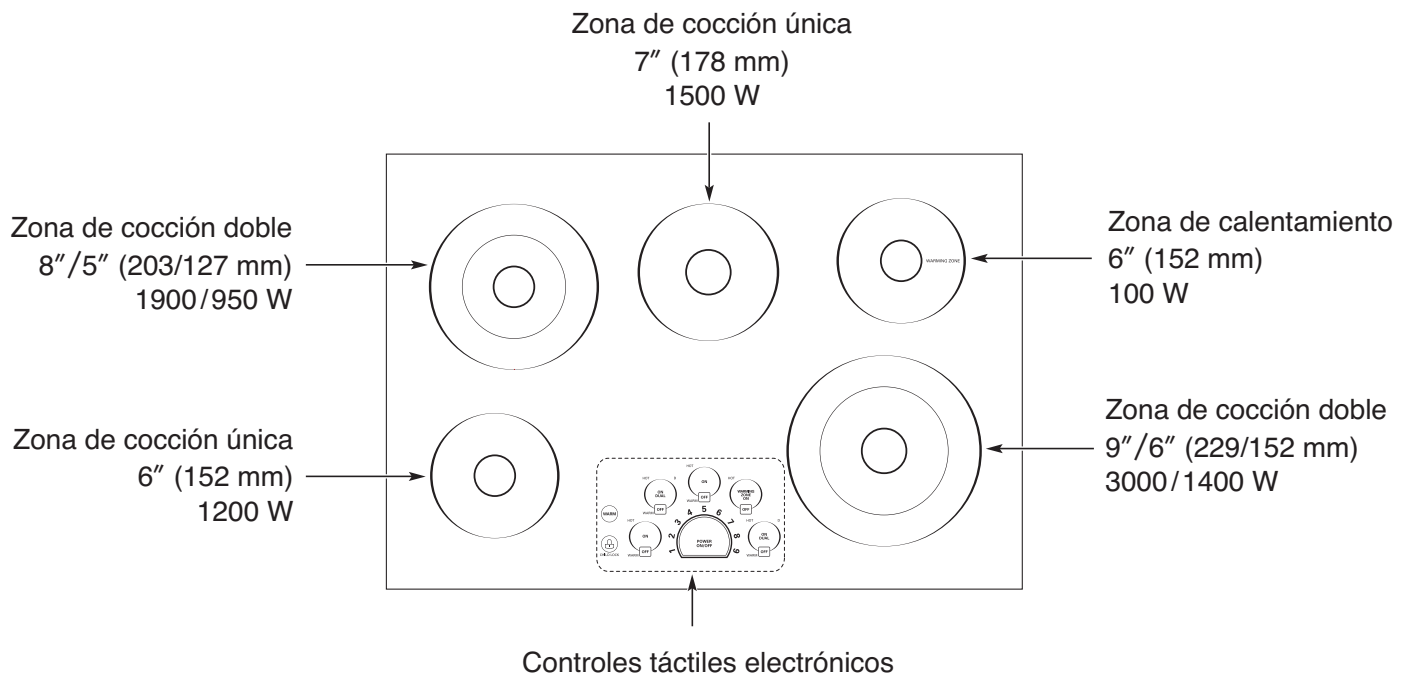
- Usar una olla de presión acorta los tiempos de cocción en un 50%.

# PIEZAS Y CARACTERÍSTICAS

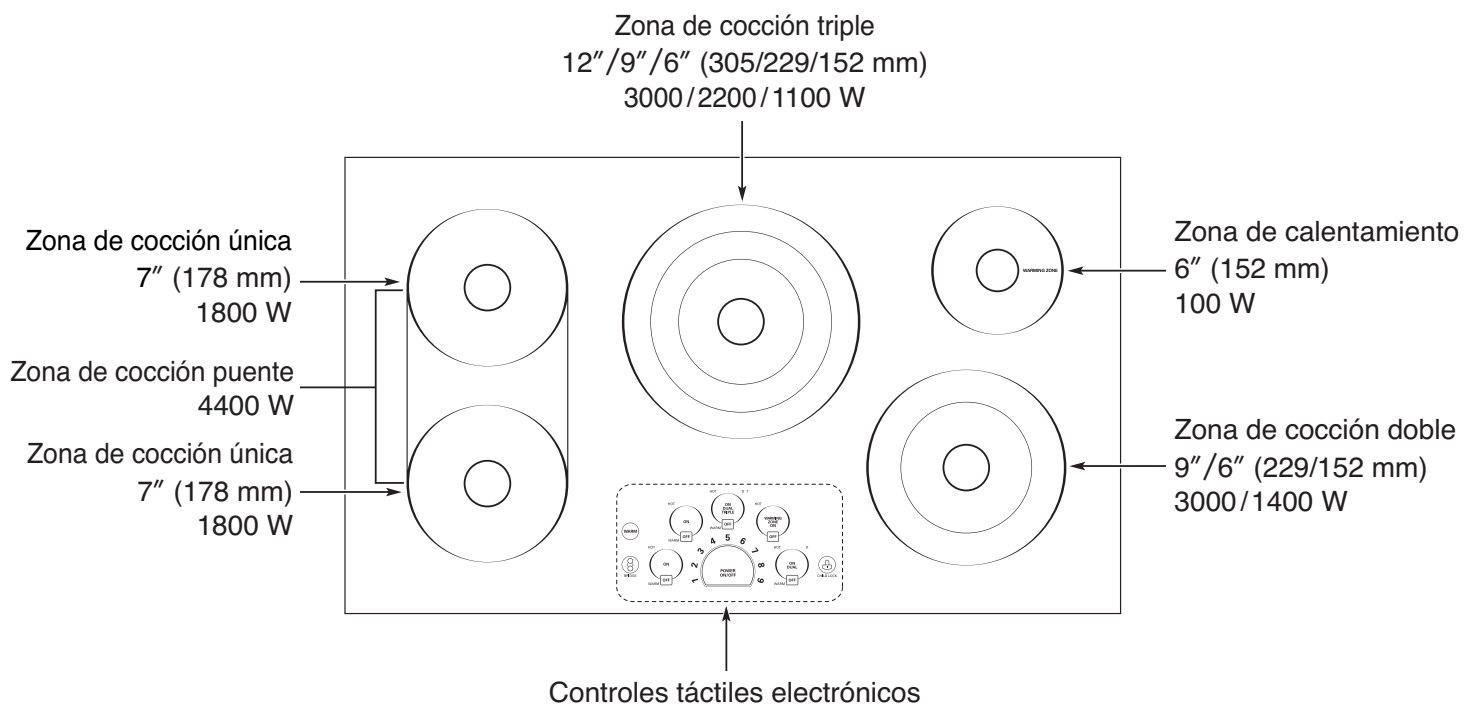
## PIEZAS Y CARACTERÍSTICAS DE SU ESTUFA

A lo largo de este manual, las características y apariencia pueden ser diferentes a las de su modelo.

### Estufa radiante LSCE305ST



### Estufa radiante LSCE365ST

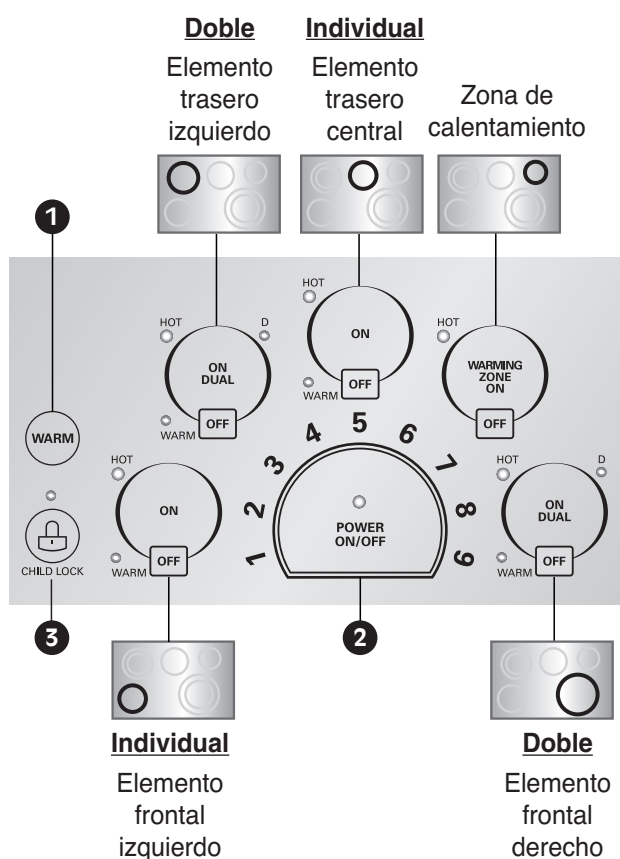


## CARACTERÍSTICAS DE CONTROL TÁCTILES

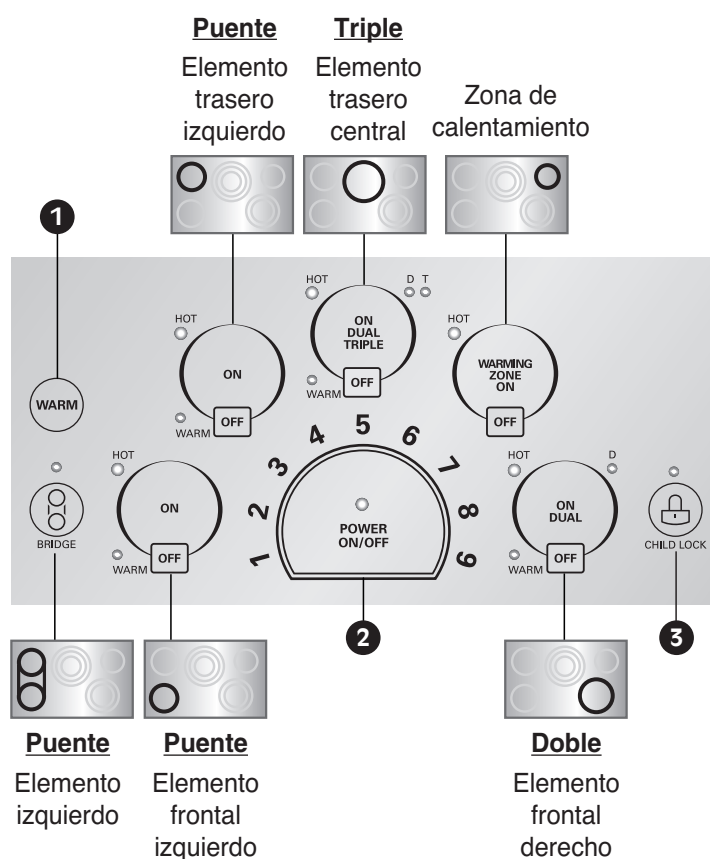
### UBICACIONES DE ELEMENTOS DE SUPERFICIE Y CONTROLES

Los elementos del quemador de superficie están colocados en las mismas ubicaciones sobre la estufa y el panel de control para facilidad de uso.

*Estufa radiante LSCE305ST*



*Estufa radiante LSCE365ST*



- 1 WARM (calentar):** Esta tecla baja el elemento activo que se ha seleccionado vez a la configuración más baja.
- 2 POWER ON/OFF (encendido/apagado):** Presione la tecla POWER ON/OFF para encender (ON) o apagar (OFF) toda la estufa. Cuando se enciende, la estufa se encuentra en el modo en espera hasta que se active una zona de cocción.
- 3 CHILD LOCK (bloqueo para niños):** Presione y sostenga durante 3 segundos para activar y desactivar la función de bloqueo para niños.



**Para configurar el nivel de energía del elemento:** Seleccione el número de las configuraciones de energía del elemento para la zona de cocción activa para ajustar el nivel de energía de 1 a 9.

**Indicador de superficie caliente:** La luz indicadora debajo de HOT (caliente) se iluminará cuando el área de cocción esté caliente. Permanecerá encendida, aún después de que se haya apagado el control, hasta que el área se enfríe.

# INSTRUCCIONES DE OPERACIÓN

## ANTES DE USAR LA ESTUFA

Antes de usar la estufa por primera vez, límpiela bien con el limpiador incluido o limpiador de estufas cerámicas según las instrucciones de Cuidado y Limpieza de esta guía. Esto ayudará a proteger la superficie cerámica y facilitar la limpieza futura.

### **⚠ PRECAUCIÓN**

**Nunca utilice esponjillas para fregar o limpiadores abrasivos o fuertes.** Pueden provocar daños permanentes a la superficie de la estufa.

## CÓMO CONFIGURAR LOS CONTROLES

Para operar las teclas táctiles de control, presione la tecla firmemente con la parte plana de la punta del dedo.

### **PRIMERA OPERACIÓN**

La primera vez que la estufa recibe energía, la pantalla de los controles se enciende durante 1 segundo.

Si no enciende la estufa después de 1 hora, la pantalla de los controles comenzará a destellar.

### **CÓMO ACTIVAR LA ESTUFA**



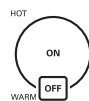
Para encender (ON) la estufa, presione la tecla **POWER ON/OFF** (energía encendida/apagada) durante aproximadamente 2 segundos. El indicador ubicado sobre la tecla se encenderá.



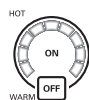
Para apagar (OFF) la estufa, presione la tecla **POWER ON/OFF** (energía encendida/apagada). La luz indicadora ubicada sobre la tecla se apagará.

**NOTA:** Después de encender la estufa con la tecla **POWER ON/OFF**, debe seleccionarse una de las zonas de cocción dentro de los 15 segundos utilizando las teclas de la zona de cocción. Si no se realiza una selección, la estufa se apagará para seguridad.

### **CÓMO SELECCIONAR LA ZONA DE COCCIÓN**



Para seleccionar la zona de cocción deseada, presione la tecla **ON** (encendido).



La pantalla de la zona de cocción seleccionada se encenderá. Las luces indicadoras de nivel de energía destellarán pero no se ha configurado un nivel de energía.

**NOTA:** Una vez que se ha seleccionado la zona de cocción con la tecla **ON**, debe seleccionarse el nivel de energía dentro de los 10 segundos con las configuraciones de energía del elemento. De otro modo, la zona de cocción se apagará por seguridad.



# INSTRUCCIONES DE OPERACIÓN

## CÓMO CONFIGURAR LOS CONTROLES (cont.)

### CÓMO CONFIGURAR EL NIVEL DE ENERGÍA

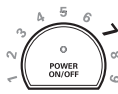
El nivel de energía de la zona de cocción seleccionada puede configurarse de 1 a 9.

#### Para seleccionar el nivel de energía:

- 1 Seleccione el número de las configuraciones de energía del elemento para la zona de cocción activa para ajustar el nivel de energía de 1 a 9.



- 2 Si se selecciona 7, se activará la zona de cocción. Después de activar la zona de cocción, las luces indicadoras destellarán una vez y bloquearán su selección.



NOTA: Si no se selecciona el nivel de energía, la zona de cocción se apagará después de 10 segundos.

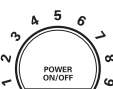
#### Para reajustar el nivel de energía:

- 1 Encienda (ON) la zona de cocción.
- 2 Para cambiar la energía de la zona de cocción, seleccione el nivel deseado. Si el nivel de energía no se selecciona después de 10 segundos, el nivel de energía de la zona de cocción permanecerá igual.

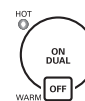
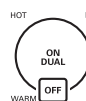


#### Para apagar la zona de cocción:

- 1 Después de finalizada la cocción, presione la tecla **OFF** para apagar la zona de cocción.
- 2 La pantalla de la zona de cocción correspondiente se apagará.
- 3 Si se selecciona la tecla **POWER ON/OFF** (energía encendida/apagada), se apagará todas las zonas de cocción.



## ⚠ ADVERTENCIA



Su estufa cuenta con un indicador de calor residual para cada zona de cocción.

Este indicador le advierte que esta área ha sido usada y todavía emite suficiente calor como para provocar quemaduras. No toque la zona de cocción cuando aparezca este indicador. Aunque la estufa esté apagada (OFF), la luz permanecerá encendida hasta que la estufa se haya enfriado.

Configuración	Función	Utilizada para
9	Calentamiento rápido	Llevar líquidos al hervor.
7-9	Dorado intenso, frituras.	Dorar carnes, calentar aceite para freír, saltear, mantener un hervor rápido para grandes cantidades de líquidos.
6-7	Rostizado, frituras.	Freír carnes, chuletas, panqueques, salchichas, huevos.
4-5	Hervido, cocción general.	Cocinar grandes cantidades, sopas y estofados, cocinar papas al vapor, cocinar caldo de carne.
3-4	Cocción al vapor	Cocinar vegetales al vapor, estofar carnes.
2-3	Cocción a fuego lento	Cocinar a fuego lento platos basados en arroz o leche, cocinar al vapor cantidades más pequeñas de papas y vegetales, calentar comidas listas para servir.
1-2	Derretir Calentar	Omelettes esponjosos, mantener los platos calientes, derretir manteca o chocolate.

**NOTA:** Estas configuraciones son pautas recomendadas de cocción. Quizás deba ajustar el nivel de energía para el tipo de alimento y de recipiente.



# INSTRUCCIONES DE OPERACIÓN

## CÓMO CONFIGURAR LOS CONTROLES (cont.)

### CALENTAR

La estufa cuenta con la característica de configuración WARM (calentar) que puede utilizarse en todas las zonas de cocción con excepción del elemento de zona de calentamiento.

### Para activar:

Presione la tecla **ON** para activar la zona de cocción deseada y presione la tecla **WARM** (calentar). La zona de cocción seleccionada quedará en la configuración **LOW** (baja). La luz indicadora ubicada sobre **WARM** se encenderá.



### Para cambiar el nivel de energía:

Presione la tecla **ON** y seleccione un nuevo número de las configuraciones de energía del elemento. La luz indicadora ubicada sobre **WARM** se apagará.

## CÓMO USAR LA ZONA DE CALENTAMIENTO

### ZONA DE CALENTAMIENTO

Use la Zona de Calentamiento para mantener la comida caliente luego de que ya haya sido cocinada. La zona de calentamiento no fue pensada para cocinar alimentos. Intentar cocinar alimentos sin cocinar o fríos en la zona de calentamiento puede provocar enfermedades transmitidas por los alimentos.

### Para activar la zona de calentamiento:



Presione la tecla **WARMING ZONE ON** (encendido de la zona de calentamiento).

Configure el nivel de energía deseado de las configuraciones de energía del elemento.

### Guía de nivel de calentamiento

Configuraciones	Se usan en
1-2	Pastelitos, panes, alimentos para desayuno (huevos) Alimentos delicados
3-5	Sopas (crema), estofados Vegetales, carnes de res
6-8	Salsas, gravies.
9	Bebidas calientes Sopas (líquidas)

### NOTA:

- Todos los alimentos deben estar cubiertos con una tapa o papel de aluminio para mantener la calidad.
- Al calentar pastelitos y pan, la tapa debe tener un orificio para que salga la humedad.
- No utilice envoltorios plásticos para cubrir alimentos. El plástico puede derretirse en la superficie y será muy difícil limpiarlo.
- Use sólo recipientes de cocción y platos recomendados como seguros para uso en estufas.
- Siempre utilice agarraderas cuanto quite alimentos de la zona de calentamiento ya que los recipientes de cocción y los platos estarán calientes.
- Nunca caliente alimentos por más de una hora (huevos por 30 minutos) porque su calidad puede deteriorarse.
- No caliente alimentos fríos en la zona de calentamiento.
- La cantidad y tipo de alimentos de los recipientes puede afectar la configuración de calor requerida.
- No utilice grandes recipientes o grandes cantidades de alimentos porque podría generarse un calentamiento desparejo.
- Siempre conserve los alimentos a temperaturas adecuadas. USDA recomienda temperaturas entre 140° - 170° F (con excepción de los pastelitos).

# INSTRUCCIONES DE OPERACIÓN

## CÓMO USAR LAS ZONAS DE COCCIÓN PUENTE

### ZONAS DE COCCIÓN PUENTE (LSCE365ST)

Las tres zonas de cocción izquierdas pueden utilizarse en conjunto como una zona de cocción única utilizando la función "puente". Esto le permite cocinar con recipientes alargados más grandes.

La función Bridge (puente) sólo puede activarse cuando la zona de cocción frontal izquierda y la trasera izquierda se encuentran apagadas (OFF).

#### Para activar la zona de cocción puente



Presione la tecla **BRIDGE** (puente).  
El indicador ubicado sobre la tecla se encenderá.

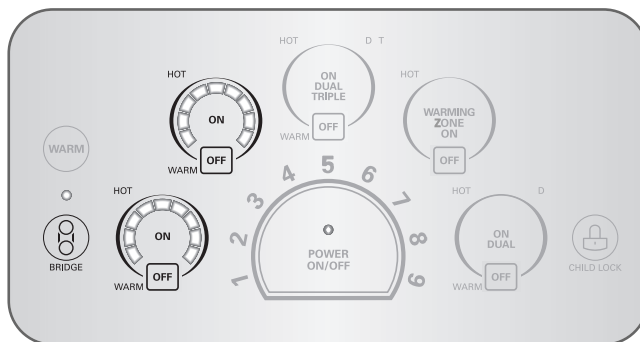
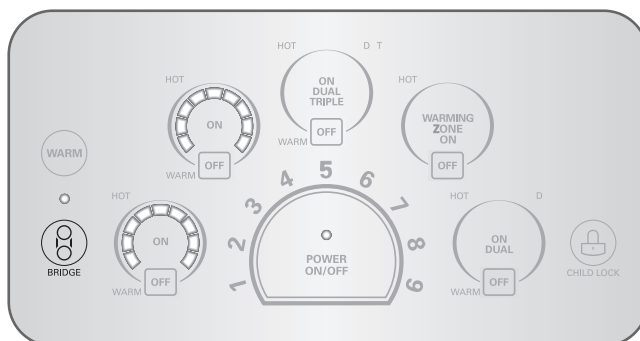
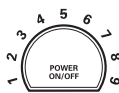
Las luces indicadoras del nivel de energía de los elementos frontal izquierdo y trasero izquierdo (puente) comenzarán a destellar. Seleccione el nivel de energía deseado.

#### Para reajustar el nivel de energía:

- 1 Accione la zona de cocción izquierda o presione la tecla **BRIDGE** (puente).
- 2 Seleccione el nivel de energía de la zona de cocción. Si el nivel de energía no se selecciona después de 10 segundos, el nivel de energía de la zona de cocción permanecerá igual.

#### Para apagar la zona de cocción:

- 1 Una vez terminada la cocción, presione la tecla **OFF** (apagado) de la zona de cocción izquierda para apagar la zona de cocción.
- 2 La pantalla de la zona de cocción correspondiente se apagará.
- 3 Si se selecciona la tecla **POWER ON/OFF** (energía encendida/apagada), se apagará todas las zonas de cocción.



# INSTRUCCIONES DE OPERACIÓN

## CÓMO USAR LAS ZONAS DE COCCIÓN TRIPLES (LSCE365ST)

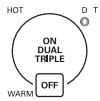
El elemento triple, ubicado en la posición central, ofrece tres elementos de tamaño diferente para ubicar tamaños de recipiente diferentes.

### Para activar la zona de cocción triple

- 1 Presione la tecla **ON** (encendido). Se activará el elemento ubicado más en el centro.

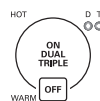


- 2 Presione de nuevo la tecla **ON** para activar las áreas central y del medio (elemento doble).



La luz indicadora ubicada debajo de **D** (doble) se encenderá.

- 3 Presione de nuevo la tecla **ON** para activar todo el elemento (elemento triple).



La luz indicadora ubicada debajo de **D** (doble) y **T** (Triple) se encenderá.

- 4 Seleccione el nivel de energía deseado.



## CÓMO USAR LAS ZONAS DE COCCIÓN DOBLES

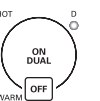
El elemento doble, ubicado en la posición frontal derecha, ofrece dos elementos de tamaño diferente para ubicar tamaños de recipiente diferentes. Utilice una o dos secciones del elemento para ubicar tamaños diferentes de recipiente.

### Para activar la zona de cocción doble

- 1 Presione la tecla **ON** (encendido). Se activará el elemento ubicado más en el centro.



- 2 Presione de nuevo la tecla **ON** para activar todo el elemento (doble).



La luz indicadora ubicada debajo de **D** (doble) se encenderá.

- 3 Seleccione el nivel de energía deseado.

### LSCE305ST



### LSCE365ST



# INSTRUCCIONES DE OPERACIÓN

## CÓMO USAR EL BLOQUEO PARA NIÑOS

Usted puede bloquear toda la estufa en cualquier momento cuando no se encuentre en uso. Bloquear la estufa evitará que las zonas de cocción se enciendan accidentalmente.

### CÓMO CONFIGURAR EL BLOQUEO PARA NIÑOS



La estufa debe estar apagada (OFF) para poder configurar la función **CHILD LOCK** (bloqueo para niños). Si no se encuentra apagada, presione y sostenga la tecla **POWER** por aproximadamente 2 segundos. La luz indicadora ubicada sobre la tecla **POWER** se apagará.



Presione y sostenga la tecla de **CHILD LOCK** (bloqueo para niños) durante 3 segundos. La luz indicadora ubicada sobre la tecla **CHILD LOCK** se encenderá para indicar que la estufa se encuentra bloqueada.

### CÓMO CANCELAR EL BLOQUEO PARA NIÑOS



Para apagar el bloqueo para niños, presione y sostenga la tecla **CHILD LOCK** durante 3 segundos. La luz indicadora ubicada sobre la tecla se apagará y la estufa podrá usarse normalmente.

## OTRAS FUNCIONES

### APAGADO AUTOMÁTICO

Si la zona de cocción se utiliza en forma constante por más de 17 horas y la configuración de control no se modifica, la zona de cocción se apagará automáticamente.

### CONTROL AUTOMÁTICO DE NIVEL DE ENERGÍA

El nivel de energía indicado puede ser diferente del nivel de energía real en el rango de temperatura alta. Para evitar que la estufa se sobrecaliente, el nivel de energía se controla automáticamente.

## CÓMO LIMPIAR LA ESTUFA

### LIMPIEZA DIARIA NORMAL

Utilice SÓLO el limpiador de superficies de cocción de cerámica o el limpiador de superficies de cocción incluido con su cocina, sobre la superficie de cocción de vidrio. Otras cremas pueden no ser tan eficaces o podrían dañar la superficie con rayas o manchas permanentes. Con el fin de mantener y proteger la superficie de su superficie de cocción de vidrio, siga los pasos siguientes:

- 1 Antes de utilizar la superficie de cocción por primera vez, límpiela con un limpiador de superficies de cocción de cerámica o el limpiador proporcionado. Así se ayuda a proteger la superficie y se facilita la limpieza.
- 2 El uso diario del limpiador de superficies de cocción de cerámica o el limpiador proporcionado ayudará a mantener la superficie de cocción como nueva.
- 3 Agite bien la crema limpiadora. Ponga unas cuantas gotas del limpiador directamente en la superficie de cocción.
- 4 Utilice papel de cocina para limpiar toda la superficie de cocción.
- 5 Enjuague con agua limpia y utilice un paño seco o papel de cocina para retirar todos los residuos.

#### NOTA:

No caliente la superficie de cocción hasta que quede completamente limpia.

### ⚠ PRECAUCIÓN

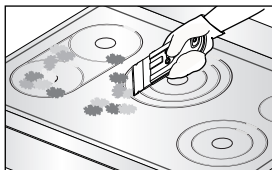
- NO utilice esponjas abrasivas o paños de limpieza metálicos.
  - Pueden dañar la superficie de vidrio del anafe.
- Por seguridad, póngase un guante de cocina en la mano con la que limpiará la superficie caliente de la placa.

### RESIDUOS QUEMADOS ADHERIDOS

#### Limpieza de la vitrocerámica

##### Paso. 1

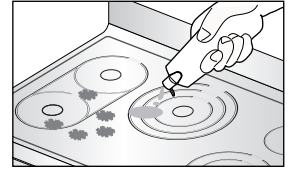
Retire primero todos los restos quemados o comida derramada en la superficie de cocción vitrocerámica con ayuda de un raspador metálico adecuado (como raspar pintura de los vidrios - esto no dañará la superficie). Sujete el raspador formando un ángulo aproximado de 30° con la placa.



**NOTA:** No utilice un raspador con una cuchilla roma o dañada. Por seguridad, póngase un guante de cocina en la mano al utilizar el raspador.

##### Paso. 2

Una vez que la superficie de cocción se haya enfriado, aplique pequeñas cantidades (tamaño de una moneda pequeña) de un limpiador aprobado sobre cada quemador y extienda la crema sobre la superficie de cocción con un papel de cocina húmedo, como si limpiara una ventana.

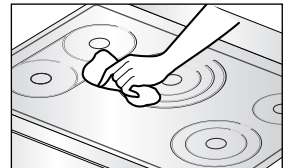


#### NOTA: limpiador aprobado

Weiman CookTop Cleaning Cream ([www.weiman.com](http://www.weiman.com))  
Cerama Bryte ([www.ceramabryte.com](http://www.ceramabryte.com))  
Easy-Off 3 in 1 Glass Top Cleaner Spray ([www.easyoff.us](http://www.easyoff.us))

##### Paso. 3

El último paso consiste en enjuagar con agua limpia y frotar la superficie de cocción con papel de cocina limpio y seco.



#### Importante:

Si algún resto de azúcar o alimento que contiene azúcar (conservas, catsup, salsa de tomate, gelatina, caramelo, dulce, jarabe, chocolate, etc.), un artículo de plástico o papel de aluminio se derritiera sobre la superficie de cocción caliente, retire el material derretido

**INMEDIATAMENTE** con ayuda de un raspador con cuchilla metálica (esto no dañará la superficie de cocción decorada) **mientras que la superficie aún esté caliente** para evitar el riesgo de daños en la superficie vitrocerámica. Por seguridad, póngase un guante de cocina en la mano al limpiar la superficie de cocción caliente.

### MARCAS Y RASPONES METÁLICOS

- 1 Tenga cuidado de no deslizar las cacerolas o bandejas por la superficie de cocción. Van a quedar marcas metálicas por toda la superficie de cocción. Estas marcas pueden ser eliminadas utilizando limpiador y bayeta para vitrocerámicas.
- 2 Si permite que el contenido de las cacerolas con una capa delgada de aluminio o cobre hierva hasta que se consuma, esa capa delgada podría dejar una decoloración negra en la superficie de cocción. Eso deberá quitarse inmediatamente antes de volver a calentar o la decoloración podría ser permanente.

# INSTRUCCIONES DE INSTALACIÓN

LAS INSTRUCCIONES DE INSTALACIÓN Y LAS REPARACIONES DEBE REALIZARLAS UN INSTALADOR CALIFICADO.

IMPORTANTE: GUARDE ESTAS INSTRUCCIONES PARA EL USO DEL INSPECTOR ELÉCTRICO LOCAL.

LEA Y GUARDE ESTAS INSTRUCCIONES PARA REFERENCIA FUTURA.

## ANTES DE COMENZAR

Lea estas instrucciones por completo y con detenimiento.

### NOTAS AL INSTALADOR:

- Lea todas las instrucciones incluidas en estas instrucciones de instalación antes de instalar la estufa.
- Quite todo el material de empaque antes de conectar el suministro eléctrico a la estufa.
- Cumpla con todos los códigos y ordenanzas vigentes.
- Sólo ciertos modelos de estufa pueden instalarse sobre ciertos modelos de horno eléctrico empotrado.
- Asegúrese de dejar estas instrucciones con el consumidor.

### NOTA AL CONSUMIDOR:

Conserve la Guía de usuario y las Instrucciones de instalación para referencia futura.

**NOTA: Esta unidad debe contar con una adecuada conexión a tierra.**

**Los daños provocados por no seguir estas instrucciones no se encuentran cubiertos por la garantía de la estufa.**

## CÓMO DESEMPACAR LA ESTUFA

❶ Desempaque e inspeccione visualmente la estufa en busca de daños o componentes faltantes.

❷ Asegúrese de que la botella de limpiador y acondicionador ubicadas dentro de la bolsa con las instrucciones queden en un lugar fácil de encontrar para el usuario. Es importante que la estufa de vidrio cerámico se trate previamente al uso. Ver *CUIDADO Y LIMPIEZA*.

# INSTRUCCIONES DE INSTALACIÓN

## ESPECIFICACIONES TÉCNICAS

### *Estufa radiante LSCE305ST*

#### **DIMENSIONES DE LA ESTUFA**

Ancho	30-27/32" (783 mm)
Profundidad	21-23/32" (552mm)
Altura	4" (101.6 mm)

#### **ZONAS DE COCCIÓN**

Posición	Diámetro	Energía
Frontal izquierda	6" (152 mm)	1200 W
Frontal derecha	9"/6" (229/152 mm)	3000/1400 W
Trasera izquierda	8"/5" (203/127 mm)	1900/950 W
Trasera derecha	6" (152 mm)	100 W (Calentar)
Central	7" (178 mm)	1500 W

#### **DIMENSIONES DE LA ABERTURA DEL MOSTRADOR DE ENCIMERA**

Ancho	29-3/8" (746 mm)
Profundidad	20-1/4" (515 mm)

#### **ESPECIFICACIONES ELÉCTRICAS**

**Voltaje de conexión:**  
240/208 VAC 60 Hz.  
32.1A/27.9 A

**Carga de energía máxima conectada:**  
7700 W/5800 W

### *Estufa radiante LSCE365ST*

#### **DIMENSIONES DE LA ESTUFA**

Ancho	36-11/16" (932 mm)
Profundidad	22-15/32" (571mm)
Altura	4" (101.6 mm)

#### **ZONAS DE COCCIÓN**

Posición	Diámetro	Energía
Frontal izquierda	7" (178 mm)	1800 W (Puente)
Frontal derecha	9"/6" (229/152 mm)	3000/1400 W
Trasera izquierda	7" (178 mm)	1800 W + 800 W (Puente)
Trasera derecha	6" (152 mm)	100 W (Calentar)
Central	12"/9"/6" (305/229/152 mm)	3000/2200/1100 W

#### **DIMENSIONES DE LA ABERTURA DEL MOSTRADOR DE ENCIMERA**

Ancho	34-9/16" (878 mm)
Profundidad	20-3/8" (517 mm)

#### **ESPECIFICACIONES ELÉCTRICAS**

**Voltaje de conexión:**  
240/208 VAC 60 Hz.  
43.8A/38.0 A

**Carga de energía máxima conectada:**  
10500 W/7900 W



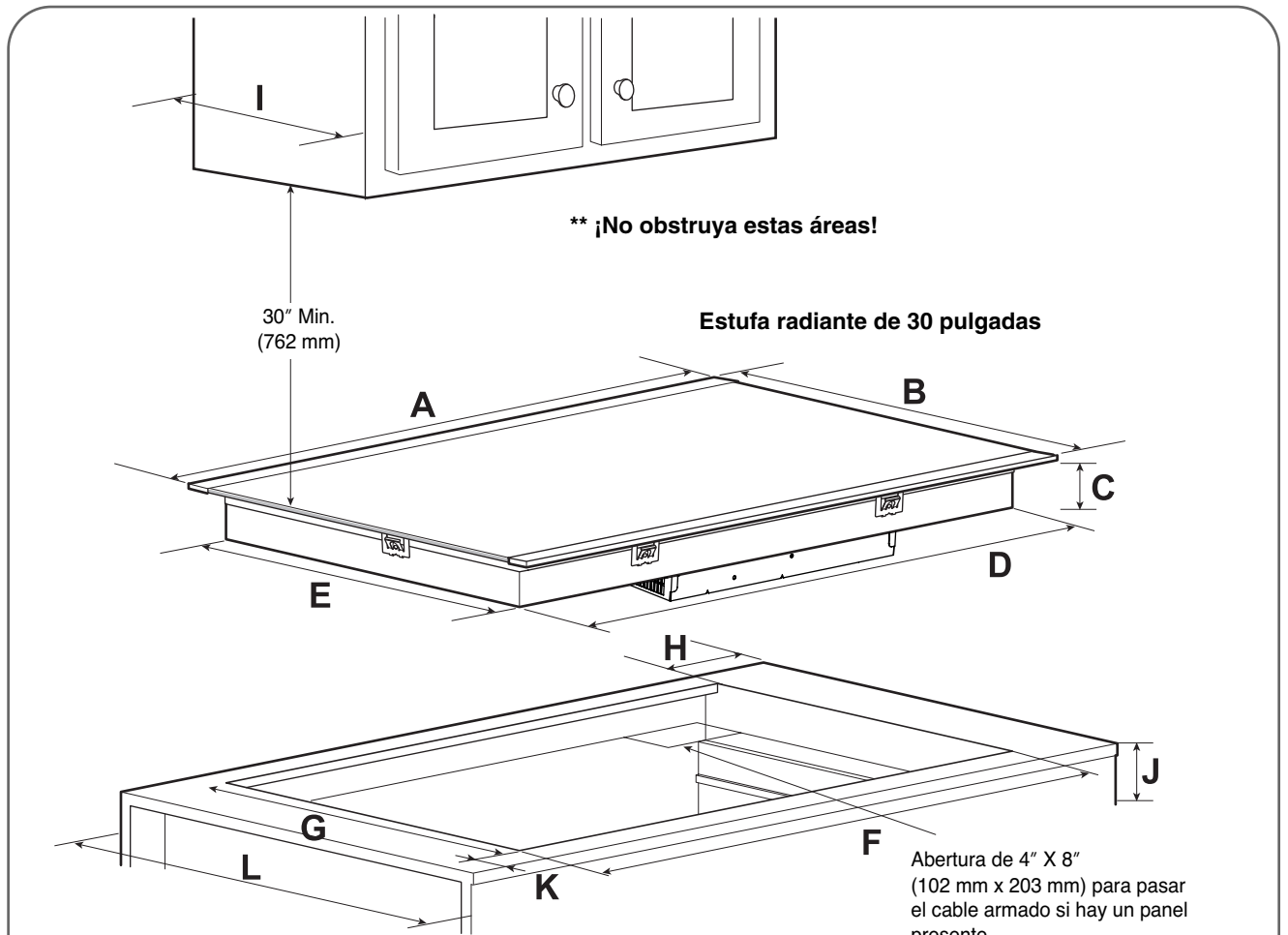
# INSTRUCCIONES DE INSTALACIÓN

## CÓMO PREPARAR LA UBICACIÓN DE INSTALACIÓN

### INFORMACIÓN IMPORTANTE SOBRE LA INSTALACIÓN

- Todas las estufas eléctricas funcionan con un suministro eléctrico de fase única, de tres o cuatro hilos, 240/208 voltios, 60 hercios, sólo AC y con conexión a tierra.
- La distancia mínima entre la estufa y los gabinetes superiores es de 30" (762 mm).
- Asegúrese que los gabinetes y las cubiertas de las paredes alrededor de la estufa puedan soportar las temperaturas generadas por la estufa (hasta 93° C [200° F]).

ESPAÑOL



### Estufa radiante LSCE305ST

Unidad	A	B	C	D	E	F	G	H	I	J	K	L
						Min	Min		Max	Min		
Pulgada	30-27/32	21-23/32	3-3/4	28-13/16	19-5/8	29-3/8	20-1/4	13/16	13	5-23/32	2-1/2	24
mm	783	552	95	732	498	746	515	20	330	145	64	610

Todas las dimensiones están establecidas en pulgadas y milímetros (mm).

Deje un espacio de 2" (50 mm) debajo de la abertura del cable armado para dar espacio al cable eléctrico y dejar espacio para la instalación de la caja de conexiones sobre la pared en la parte trasera de la estufa.



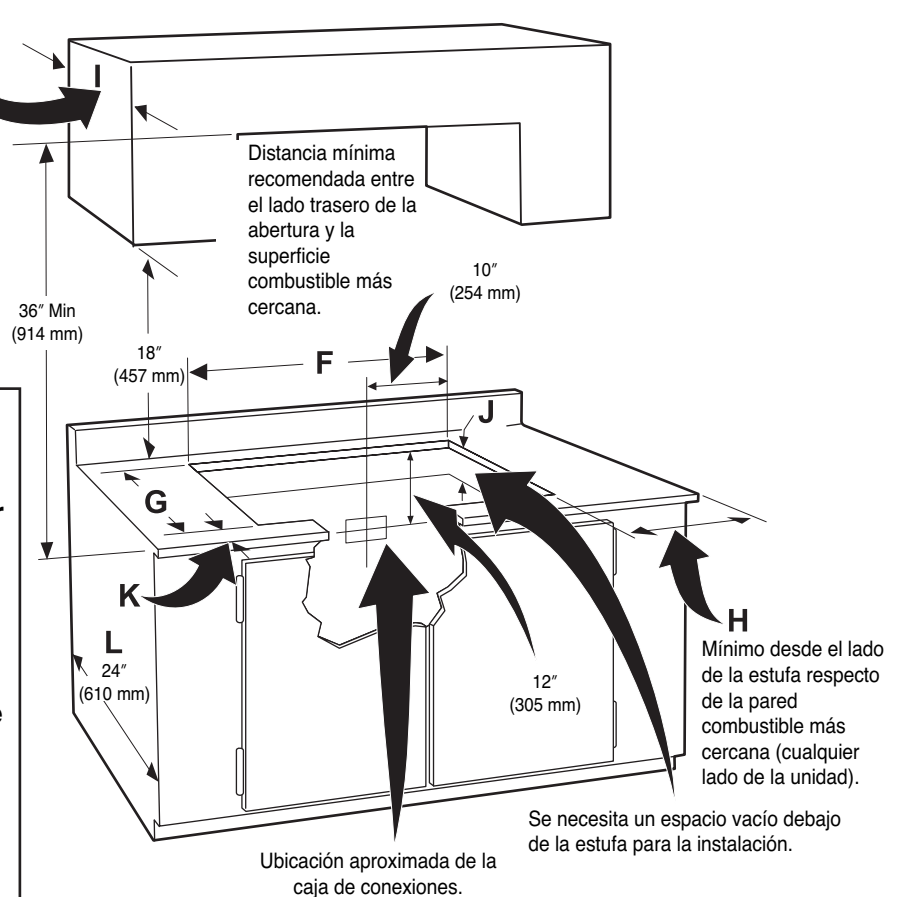
# INSTRUCCIONES DE INSTALACIÓN

## DIMENSIONES Y ESPACIOS

El gabinete superior no debe superar una profundidad máxima de 13" (330 mm).

### ⚠ PRECAUCIÓN

Para eliminar el riesgo de quemaduras o incendios por inclinarse sobre superficies calientes, debe evitarse la instalación de espacios de almacenamiento en gabinetes sobre la estufa. Si se cuenta con un espacio de gabinetes, puede reducirse el riesgo mediante la instalación de una campana de cocina que sobresalga horizontalmente en 5" (127 mm) como mínimo más allá de la parte frontal de los gabinetes.

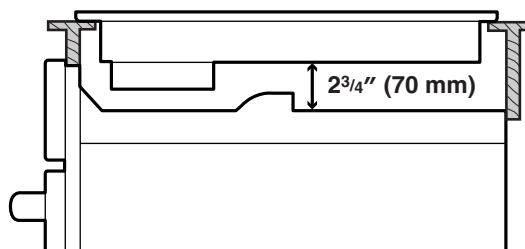


Modelo	H	K
LSCE305ST	3-3/4" (95 mm)	2-1/2" (64 mm)

### ⚠ PRECAUCIÓN

Es muy importante mantener una distancia de 2<sup>3</sup>/<sub>4</sub>" (70 mm) entre la encimera y el horno.

### ■ Espacio recomendado entre la encimera y el horno



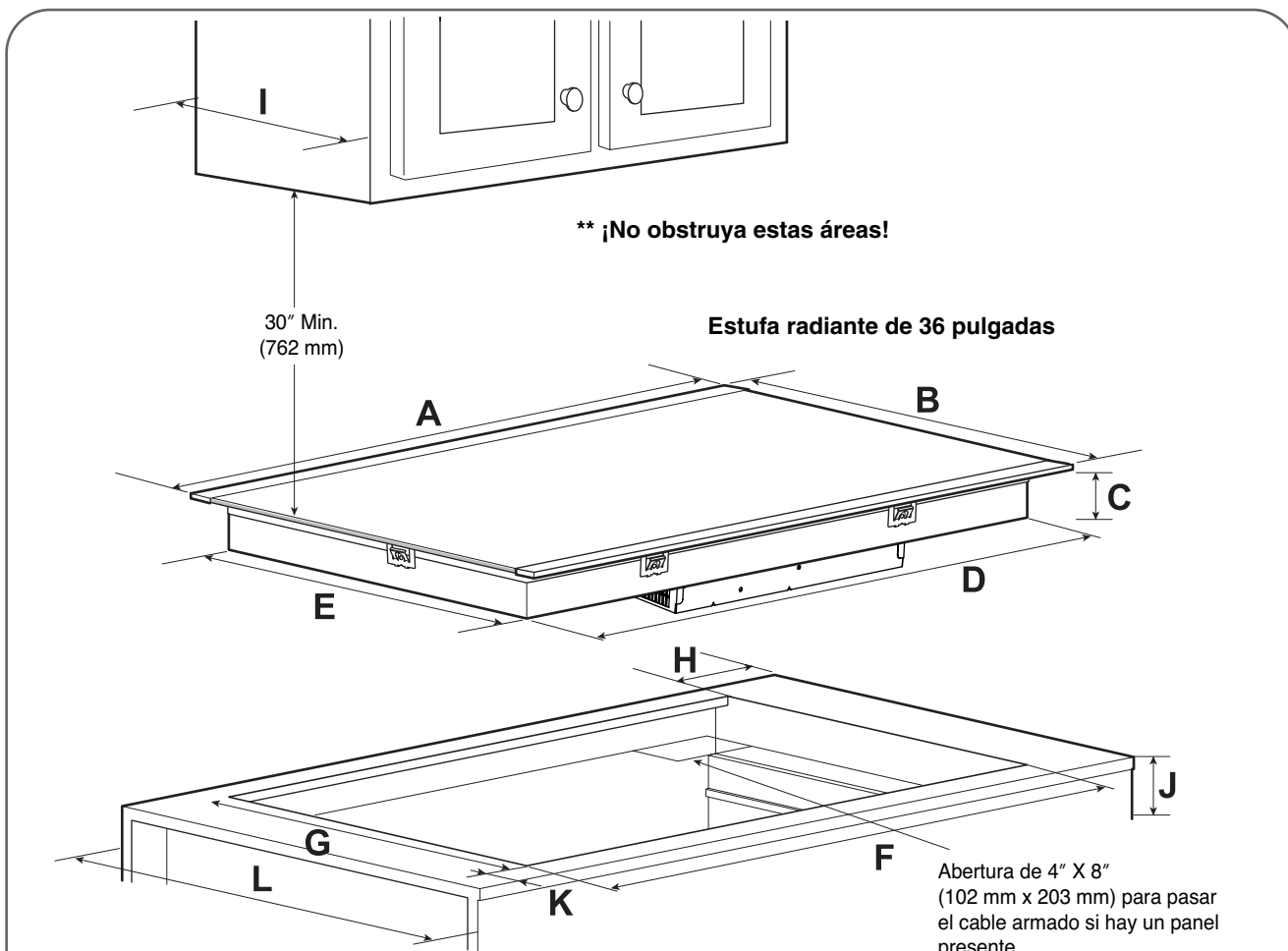
# INSTRUCCIONES DE INSTALACIÓN

## CÓMO PREPARAR LA UBICACIÓN DE INSTALACIÓN

### INFORMACIÓN IMPORTANTE SOBRE LA INSTALACIÓN

- Todas las estufas eléctricas funcionan con un suministro eléctrico de fase única, de tres o cuatro hilos, 240/208 voltios, 60 hercios, sólo AC y con conexión a tierra.
- La distancia mínima entre la estufa y los gabinetes superiores es de 30" (762 mm).
- Asegúrese que los gabinetes y las cubiertas de las paredes alrededor de la estufa puedan soportar las temperaturas generadas por la estufa (hasta 93° C [200° F]).

ESPAÑOL



### Estufa radiante LSCE365ST

Unidad	A	B	C	D	E	F	G	H	I	J	K	L
						Min	Min		Max	Min		
Pulgada	36-11/16	22-15/32	3-3/4	33-27/32	19-25/32	34-9/16	20-3/8	13/16	13	5-23/32	2-1/2	24
mm	932	571	95	860	502	878	517	20	330	145	64	610

Todas las dimensiones están establecidas en pulgadas y milímetros (mm).

Deje un espacio de 2" (50 mm) debajo de la abertura del cable armado para dar espacio al cable eléctrico y dejar espacio para la instalación de la caja de conexiones sobre la pared en la parte trasera de la estufa.

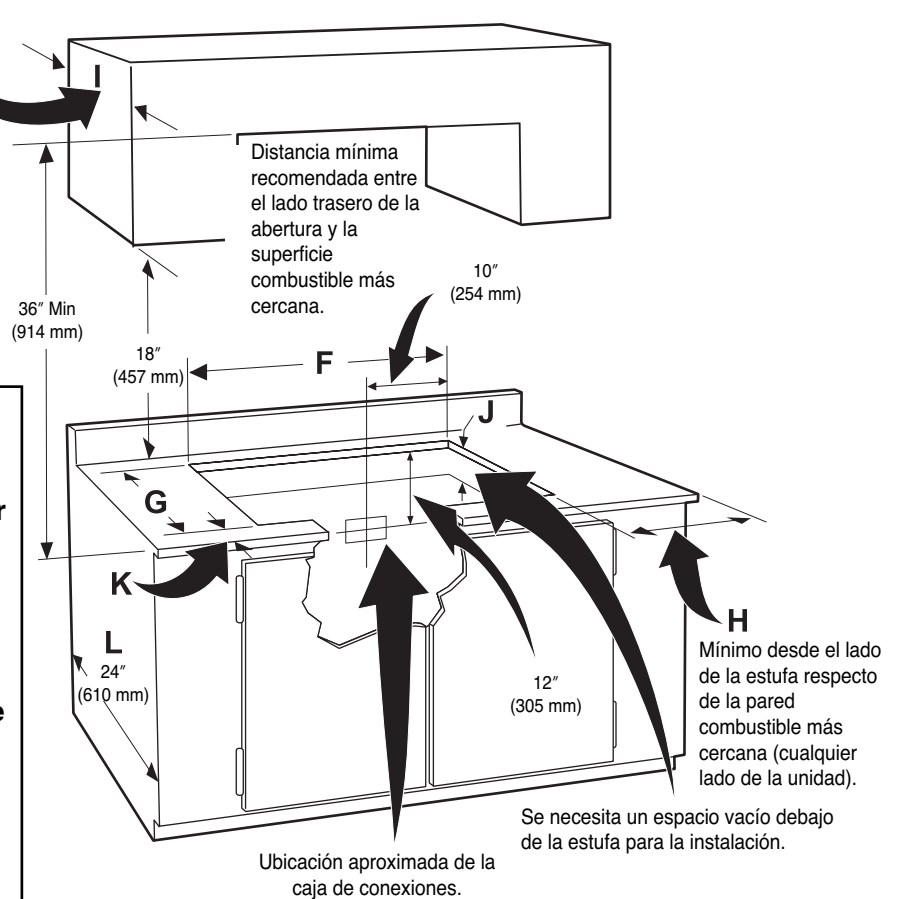
# INSTRUCCIONES DE INSTALACIÓN

## DIMENSIONES Y ESPACIOS

El gabinete superior no debe superar una profundidad máxima de 13" (330 mm).

### ⚠ PRECAUCIÓN

Para eliminar el riesgo de quemaduras o incendios por inclinarse sobre superficies calientes, debe evitarse la instalación de espacios de almacenamiento en gabinetes sobre la estufa. Si se cuenta con un espacio de gabinetes, puede reducirse el riesgo mediante la instalación de una campana de cocina que sobresalga horizontalmente en 5" (127 mm) como mínimo más allá de la parte frontal de los gabinetes.

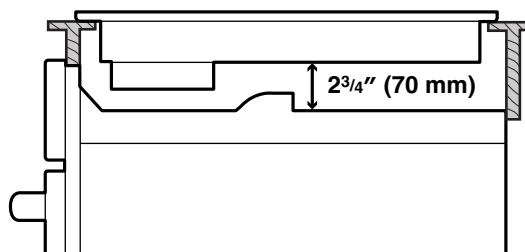


Modelo	H	K
LSCE365ST	3-3/4" (95 mm)	2-1/2" (64 mm)

### ⚠ PRECAUCIÓN

Es muy importante mantener una distancia de 2<sup>3</sup>/<sub>4</sub>" (70 mm) entre la encimera y el horno.

### ■ Espacio recomendado entre la encimera y el horno



# INSTRUCCIONES DE INSTALACIÓN

## CONEXIONES ELÉCTRICAS

### INSTRUCCIONES IMPORTANTES DE SEGURIDAD

- Verifique que un instalador o un técnico calificado instale su estufa correctamente con adecuada conexión a tierra.
- Esta estufa debe conectarse a tierra de acuerdo con los códigos locales o, si no los hubiere, con el Código Eléctrico Nacional ANSI/NFPA No. 70, última edición en los Estados Unidos.

### ADVERTENCIA

La energía eléctrica hacia la estufa debe desconectarse mientras se realizan las conexiones de la línea. No hacerlo puede provocar la muerte o una lesión personal grave.

### CÓMO REALIZAR LA CONEXIÓN ELÉCTRICA

Instale la caja de conexiones bajo el gabinete y coloque un cable de 120/240 o 120/208 voltios AC desde el panel de circuitos principal.

**NOTA:** NO conecte el cable al panel de circuitos en este momento.

ESPAÑOL

### REQUERIMIENTOS ELÉCTRICOS

Cumpla con todos los códigos y ordenanzas locales vigentes.

- 1 Se requiere un suministro eléctrico de 3 o 4 hilos de fase única de 120/240 o 120/208 voltios, 60 Hz sólo AC en un circuito separado con fusibles a ambos lados de la línea (se recomiendan fusibles con retraso o interruptores de circuito). NO coloque fusibles en el neutral. El tamaño del fusible no debe superar la clasificación del circuito del aparato especificado en la placa.
- 2 Una estufa radiante de 36" puede consumir hasta 10.500 W a 240 VAC. Debe utilizarse un interruptor de circuitos de 50 amp con un calibre de cable #8 AWG.  
Una estufa radiante de 30" puede consumir hasta 7700 W a 240 VAC. Debe utilizarse un interruptor de circuitos de 40 amp con un calibre de cable #8 AWG.  
**NOTA:** Los tamaños y conexiones de cable deben cumplir con el tamaño de fusible y clasificación del aparato en conformidad con el Código Eléctrico Nacional ANSI/NFPA No. 70, última edición y los códigos y ordenanzas locales.
- 3 El aparato debe conectarse a la caja de desconexión del fusible (o interruptor de circuitos) a través de un cable flexible armado o enfundado no metálico.  
El cable armado flexible que se extiende desde este aparato debe conectarse directamente a la caja de conexiones con conexión a tierra. La caja de conexiones debe ubicarse como se señala en la página 21 o 23 con una longitud de cable lo más larga posible entre la caja y el aparato, para que pueda moverse si alguna vez hace falta una reparación.
- 4 Debe proveerse un alivio de tensión adecuado para conectar el cable armado a la caja de conexiones.

### ADVERTENCIA

No debe usarse un cable de extensión con este aparato. Dicho uso puede provocar un incendio, descarga eléctrica u otra lesión personal.

# INSTRUCCIONES DE INSTALACIÓN

## CONEXIONES ELÉCTRICAS (cont.)

### CONEXIÓN ELÉCTRICA

Conecte el cable armado flexible que se extiende desde la unidad de superficie a la caja de conexiones utilizando un alivio de tensión en el punto donde el cable armado ingresa a la caja de conexiones. Luego realice la conexión eléctrica de la siguiente manera.

**Se requiere conexión a tierra en este aparato.**

Este aparato se fabrica con un cable de suministro y un cable de conexión a tierra conectado al armazón de color verde o cobre.

### NOTA AL ELECTRICISTA:

Los cables armados suministrados con este aparato están reconocidos por UL para conexiones con cableados domésticos de calibre mayores. La aislación de estos cables está clasificada a temperaturas mucho más elevadas que la clasificación del cableado doméstico. La capacidad de transmitir corriente del conductor está determinada por la clasificación de temperatura de la aislación alrededor del cable, en lugar del calibre del cable por sí solo.

### ⚠ ADVERTENCIA

**NO conecte a tierra la tubería de suministro de gas. NO conecte al suministro de energía eléctrica hasta que el aparato se encuentre permanentemente conectado a tierra. Conecte el cable a tierra antes de accionar la energía.**

### ⚠ ADVERTENCIA

**Este aparato se encuentra equipado con un cable flexible conductor de cobre. Si la conexión se realiza con cableado doméstico de aluminio, utilice sólo conectores especiales que hayan sido aprobados para unir cables de cobre y aluminio en cumplimiento con el Código Eléctrico Nacional y los códigos y ordenanzas locales. Una conexión inadecuada de cableado doméstico de aluminio con cables de cobre puede generar un cortocircuito o un incendio. Siga al pie de la letra el procedimiento recomendado del fabricante del conector.**

### ***DONDE LOS CÓDIGOS LOCALES PERMITEN LA CONEXIÓN DE CONDUCTOR A TIERRA DEL APARATO AL CABLE NEUTRAL (BLANCO)***

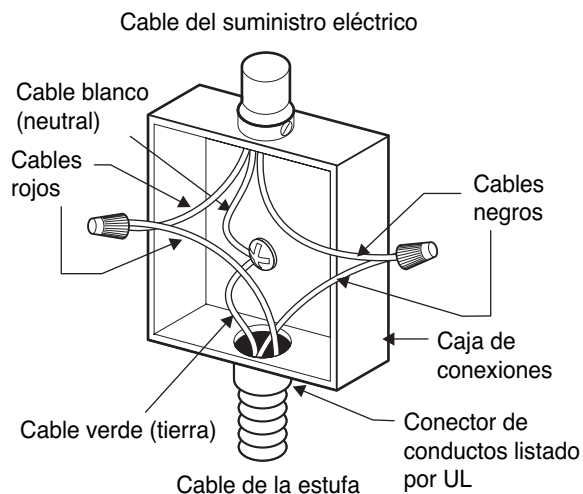
Cumpla con todos los códigos y ordenanzas locales vigentes.

- 1 Desconecte el suministro de energía.
- 2 En la caja del interruptor de circuitos, caja de fusibles o caja de conexiones, conecte el aparato y cables de suministro de energía como se indica.

### ⚠ ADVERTENCIA

**Usted no puede conectar a tierra la estufa a través del cable neutral (blanco) si la estufa se usa en una instalación nueva de circuito derivado (1996 NEC), una casa rodante, vehículo recreativo, o donde los códigos locales no permiten la conexión a tierra con el cable neutral (blanco). onde el cable neutral (blanco) de conexión a tierra se encuentra prohibido, debe utilizarse un cable de suministro de energía de 4 hilos. No prestar atención a esta advertencia puede provocar una electrocución u otra lesión personal grave.**

### CAJA DE CONEXIONES CON CONEXIÓN A TIERRA DE 3 HILOS



# INSTRUCCIONES DE INSTALACIÓN

## CONEXIONES ELÉCTRICAS (cont.)

**SI LA ESTUFA SE USA EN UNA INSTALACIÓN NUEVA DE CIRCUITO DERIVADO (1996 NEC), CASA RODANTE, VEHÍCULO RECREATIVO, O DONDE LOS CÓDIGOS LOCALES NO PERMITEN LA CONEXIÓN A TIERRA CON EL CABLE NEUTRAL (BLANCO).**

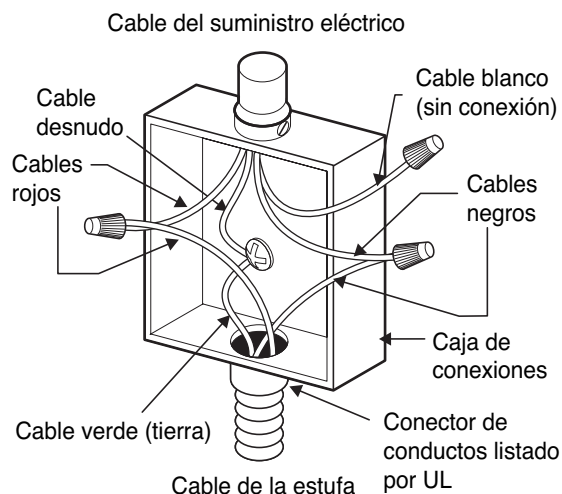
Cumpla con todos los códigos y ordenanzas locales vigentes.

- 1 Desconecte el suministro de energía.
- 2 En la caja del interruptor de circuitos, caja de fusibles o caja de conexiones, conecte el aparato y cables de suministro de energía como se indica.

### **⚠ ADVERTENCIA**

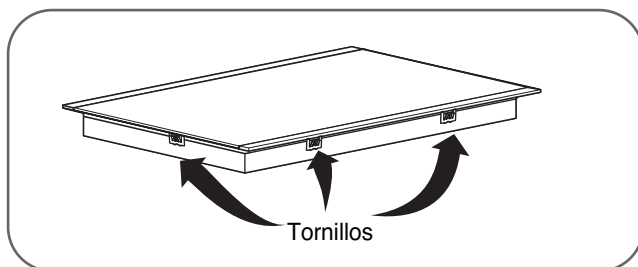
Si se realiza la conexión a un sistema eléctrico de cable de energía de 4 hilos, el cable de conexión a tierra conectado al armazón del aparato **NO DEBE** conectarse al cable neutral del sistema eléctrico de 4 hilos.

### CAJA DE CONEXIONES CON CONEXIÓN A TIERRA DE 4 HILOS

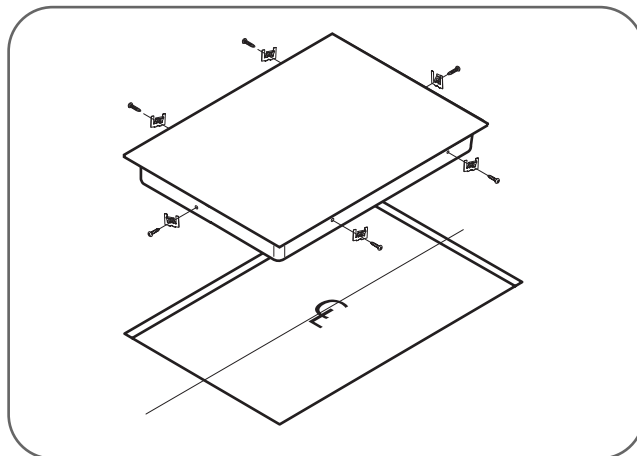


## INSTALACIÓN DE LA ESTUFA

- 1 Inspeccione la estufa visualmente en busca de daños. Asegúrese de que todos los tornillos de la estufa estén bien ajustados (ver abajo para las ubicaciones).



- 2 Con cuidado baje la estufa dentro de la abertura del mostrador de encimera, asegurándose de no enganchar ningún cable. **NOTA:** No utilice compuesto de calafateo. La estufa debe poder moverse, si se necesitara efectuar una reparación.



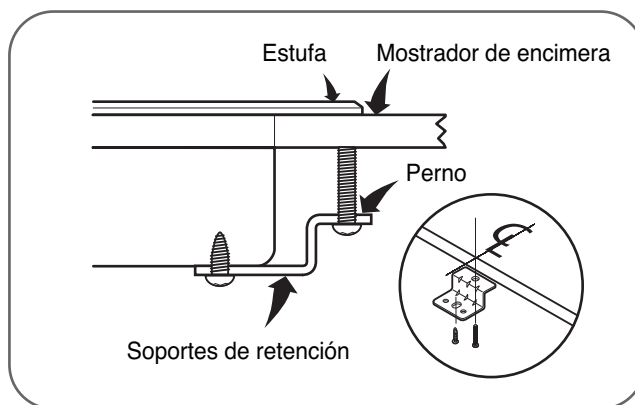
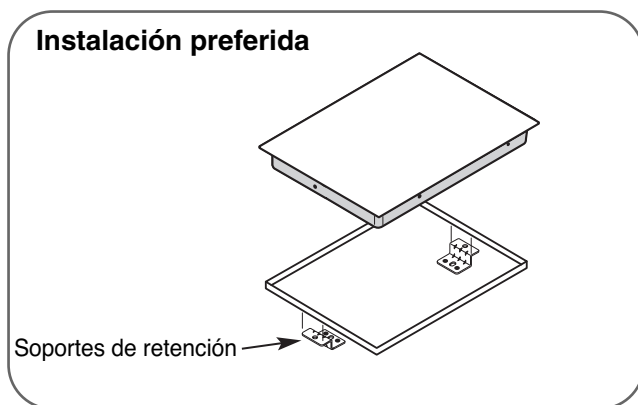
# INSTRUCCIONES DE INSTALACIÓN

## INSTALACIÓN DE LA ESTUFA (cont.)

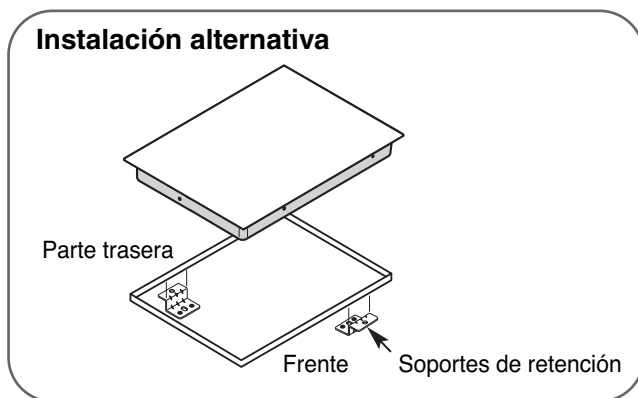
- 3 Instale los soportes de retención en la parte inferior de la estufa. Luego ajuste los pernos contra la base del mostrador de encimera como puede verse.

**NOTA:** Los soportes de retención **DEBEN** instalarse en cumplimiento con los códigos locales o, en su ausencia, con el Código Eléctrico Nacional ANSI/NFPA No. 70, última edición.

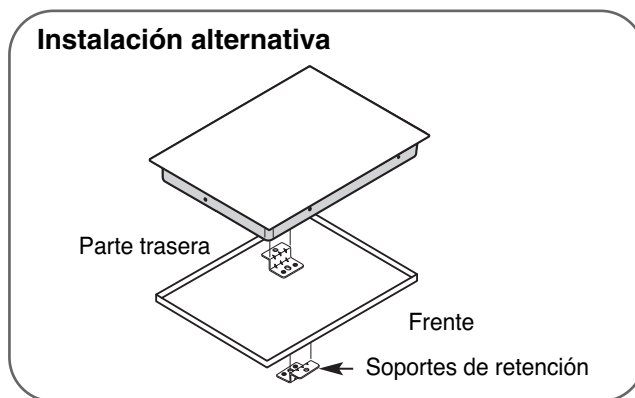
### Estufa radiante LSCE305ST / LSCE365ST



### Estufa radiante LSCE305ST



### Estufa radiante LSCE365ST



## CONTROL FINAL

Realice un control final de funcionamiento de la estufa, verificando que se encienda correctamente y que cada zona de cocción funcione en forma adecuada. Para detalles, consulte las Instrucciones de operación de esta guía.

### UBICACIÓN DEL NÚMERO DE MODELO Y DE SERIE

Los números de modelo y de serie se encuentran en una placa ubicada en la parte inferior de la estufa. Tenga a bien registrarlos en esta guía; puede necesitarlos para el registro de garantía.

### **⚠ PRECAUCIÓN**

No toque el vidrio de la estufa o las zonas de cocción. Pueden estar lo suficientemente calientes como para provocar quemaduras.

# IDENTIFICACIÓN Y SOLUCIÓN DE PROBLEMAS

## ANTES DE LLAMAR AL SERVICIO TÉCNICO

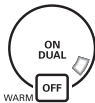
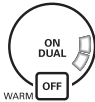
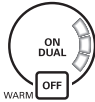
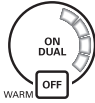
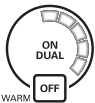
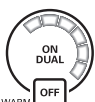
Antes de llamar al servicio técnico, examine esta lista. Puede ahorrarle tiempo y dinero. La lista incluye situaciones comunes que no son el resultado de mano de obra o materiales defectuosos del artefacto.

Problema	Causas posibles	Soluciones
<b>La estufa no funciona</b>	<ul style="list-style-type: none"><li>• Los controles de la estufa están bloqueados.</li><li>• El interruptor de circuitos saltó o se quemó el fusible.</li><li>• Corte de energía.</li><li>• El cableado de instalación no está completo.</li></ul>	<ul style="list-style-type: none"><li>• Ver <b>CÓMO USAR EL BLOQUEO PARA NIÑOS</b> para desactivar la característica <b>BLOQUEO PARA NIÑOS</b>.</li><li>• Reconfigure el interruptor de circuitos.</li><li>• Verifique las luces del hogar para confirmar el corte de energía.</li><li>• Comuníquese con el instalador o vendedor.</li></ul>
<b>La estufa no calienta.</b>	<ul style="list-style-type: none"><li>• La zona de cocción seleccionada es incorrecta.</li><li>• La estufa no recibe energía.</li></ul>	<ul style="list-style-type: none"><li>• Asegúrese de que el control correcto esté accionado para la zona de cocción que se está usando.</li><li>• Ver "La estufa no funciona" arriba.</li></ul>
<b>Los elementos se apagan durante la cocción.</b>	<ul style="list-style-type: none"><li>• La temperatura interna de la estufa es muy elevada.</li></ul>	<ul style="list-style-type: none"><li>• Verifique que la estufa se haya instalado de acuerdo con las instrucciones de instalación.</li></ul>
<b>Los elementos no se calientan lo suficiente.</b>	<ul style="list-style-type: none"><li>• Los controles táctiles pueden estar mal configurados.</li><li>• Los recipientes de cocción no tienen la forma o tamaño correctos o no son planos.</li></ul>	<ul style="list-style-type: none"><li>• Verifique el nivel de energía.</li><li>• Use los recipientes recomendados. Ver la página 8-9.</li></ul>
<b>Se escucha un ventilador.</b>	<ul style="list-style-type: none"><li>• La temperatura interna de la estufa es elevada.</li></ul>	<ul style="list-style-type: none"><li>• Esto es normal. El ventilador de refrigeración funciona cuando cualquier elemento está encendido. Con un uso intenso, el ventilador puede seguir funcionando después de que se hayan apagado los controles hasta que la estufa se enfríe.</li></ul>



# IDENTIFICACIÓN Y SOLUCIÓN DE PROBLEMAS

## ANTES DE LLAMAR AL SERVICIO TÉCNICO

Problema	Causas posibles	Soluciones
<b>Parpadeo</b> 	<ul style="list-style-type: none"> <li>• Hay un problema con el termistor o Micom.</li> </ul>	<ul style="list-style-type: none"> <li>• Apague la estufa utilizando la tecla Power ON/OFF. Vuelva a encender la estufa utilizando la tecla Power ON/OFF.</li> </ul>
<b>Parpadeo</b> 		
<b>Parpadeo</b> 		
<b>Parpadeo</b> 	<ul style="list-style-type: none"> <li>• Derrame de alimentos/suciedad sobre las teclas táctiles.</li> <li>• Un objeto sobre las teclas táctiles.</li> <li>• El tiempo de presión es largo.</li> </ul>	<ul style="list-style-type: none"> <li>• Limpie la superficie.</li> <li>• Quite el objeto de la tecla táctil.</li> <li>• Si se presiona alguna de las teclas por más de 10 segundos en forma continua, podrá verse este error.</li> <li>• Si se coloca agua o un objeto metálico sobre las teclas, podrá verse este error.</li> <li>• Apague la estufa utilizando la tecla Power ON/OFF. Vuelva a encender la estufa utilizando la tecla Power ON/OFF.</li> </ul>
<b>Parpadeo</b> 	<ul style="list-style-type: none"> <li>• Hay un problema con la pantalla.</li> </ul>	<ul style="list-style-type: none"> <li>• Apague la estufa utilizando la tecla Power ON/OFF. Vuelva a encender la estufa utilizando la tecla Power ON/OFF.</li> </ul>
<b>Parpadeo</b> 	<ul style="list-style-type: none"> <li>• Detección de voltaje bajo.</li> </ul>	<ul style="list-style-type: none"> <li>• Esto representa voltaje bajo dirigido a la estufa. Llame a un electricista con licencia.</li> </ul>

# LG ELECTRONICS, INC. GARANT LIMITADA DE ESTUFA DE RADIANTE LG - EE.UU.

LG Electronics Inc. reparará o reemplazará su producto, a criterio de LG, si llegara a tener defectos en los materiales o mano de obra bajo un uso normal, durante el período de garantía establecido a continuación, vigente desde la fecha original de compra del producto por parte del consumidor. Esta garantía limitada solamente cubre al comprador original del producto y tiene vigencia sólo cuando se utiliza en los EE.UU.

PERÍODO DE GARANTÍA:	ELEMENTOS CUBIERTOS:
<b>Dos años</b> Desde la fecha de compra original	<b>Cualquier pieza</b> de la estufa que falle debido a un defecto de los materiales o mano de obra. Durante esta <b>garantía total de dos años</b> , LG también ofrece, <b>en forma gratuita</b> , la mano de obra y trabajos en el hogar para reemplazar la pieza defectuosa.
Guarde el recibo de venta o ticket de entrega del distribuidor con fecha respectiva como evidencia de la Fecha de Compra como prueba de garantía, y envíe una copia del recibo de venta al técnico en el momento en que se brinde el servicio de garantía. Llame al <b>1-800-243-0000</b> y elija la opción apropiada para ubicar el Centro de Servicio Autorizado LG más cercano. O visite nuestro sitio Web en <b>www.lg.com</b>	

ESPAÑOL

**ESTA GARANTÍA REEMPLAZA CUALQUIER OTRA GARANTÍA, EXPRESA O IMPLÍCITA, INCLUYENDO, SIN LIMITACIÓN, CUALQUIER GARANTÍA DE COMERCIABILIDAD O APTITUD PARA UN OBJETIVO PARTICULAR. EN LA MEDIDA EN QUE CUALQUIER GARANTÍA IMPLICITA SEA REQUERIDA POR LA LEY, SE LIMITA EN DURACIÓN AL PERÍODO DE GARANTÍA EXPRESO ANTERIOR. LG NO SERÁ RESPONSABLE DE DAÑOS RESULTANTES, INDIRECTOS O INCIDENTALES DE CUALQUIER NATURALEZA, INCLUYENDO, GANANCIAS O INGRESOS PERDIDOS, EN CONEXIÓN CON EL PRODUCTO. ALGUNOS ESTADOS NO PERMITEN LA LIMITACIÓN DE LA DURACIÓN DE UNA GARANTÍA IMPLÍCITA O LA EXCLUSIÓN DE DAÑOS INCIDENTALES O RESULTANTES, Y POR LO TANTO LAS LIMITACIONES O EXCLUSIONES ANTERIORES PUEDEN NO APLICARSE EN SU CASO.**

**ESTA GARANTÍA LIMITADA NO SE APLICA A:**

1. Visitas a su hogar para corregir la instalación de su artefacto, para instruir al usuario sobre cómo utilizar su artefacto, para cambiar fusibles o corregir el cableado del hogar, o para cambiar bombillas de luz accesibles para el usuario.
2. Reparaciones cuando su artefacto se utiliza en otro lugar que no sea un hogar unifamiliar.
3. Retiro y entrega. Su artefacto está diseñado para poder ser reparado en el hogar.
4. Daños provocados por accidentes, alteraciones, uso indebido, abuso, incendio, inundación, instalación inadecuada, casos fortuitos o uso de productos no aprobados por la Corporación LG.
5. Reparación de piezas o sistemas provocados por modificaciones no autorizadas hechas al artefacto.
6. Costos de reemplazo de piezas o de mano de obra en reparaciones para unidades operadas fuera de los EE.UU.
7. Cualquier costo de mano de obra durante el período de garantía limitada.

Esta garantía se extiende al comprador original para productos adquiridos para uso doméstico dentro de los EE.UU. En Alaska, la garantía excluye el costo de envío o visitas para efectuar arreglos en su hogar. Algunos estados no permiten la exclusión o limitación de daños incidentales o resultantes, por lo tanto esta exclusión o limitación puede no aplicarse en su caso. Esta garantía le otorga derechos legales específicos y usted puede contar con otros derechos, que pueden variar de estado a estado. Para conocer sus derechos legales, consulte a su oficina del consumidor local o estatal o al Fiscal General de su estado.

**PARA CONTACTAR A LG ELECTRONICS POR CORREO:**

LG Customer Interactive Center  
 P. O. Box 240007  
 201 James Record Road  
 Huntsville, Alabama 35824  
 ATTN: CIC



LG Customer Information Center

1-800-243-0000 USA

Register your product Online!

[www.lg.com](http://www.lg.com)