

Installation Guide – Adjustable pedestal Pro-Line


The Pro-Line series consists of four different height adjustable base pedestals.

The adjustable base pedestals:

 Adjustable pedestal PRO XXS	Art. No.: INC954020 Assembly height: 0-25/64 – 0-19/32 (10-15 mm)
 Adjustable pedestal PRO XS / S	Art. No.: INC954061 INC 946070 Assembly height: 1"3/16 - 2"3/32 (30-53 mm)
 Adjustable pedestal PRO M	Art. No.: INC946071 Assembly height: 2"3/32 - 3"15/64 (53-82 mm)
 Adjustable pedestal PRO L	Art. No.: INC946072 Assembly height: 2"3/4 - 4"39/64 (70-117 mm)

© by E.u.r.o.Tec GmbH · Status 06/2024 · Changes, additions, set and printing errors reserved.



Installation Guide – Adjustable pedestal Pro-Line

 <p style="margin-top: 10px;">Adjustable pedestal PRO XL</p>	<p>Art. No.: INC946079</p> <p>Assembly height: 2"29/32 - 6"39/64 (74-168 mm)</p>
---	--

The load-bearing capacity of the adjustable feet and the components have a recommended lifting capacity of 1,795 lbf.


The adjustable base pedestals can be expanded with different adapters depending on the application. The adapters do not increase the foot configuration shown in the table.

The following adapters are available for the various applications:

 <p style="margin-top: 10px;">L-Adapter</p>	<p>Art. No.: INC946075</p> <p>Adapter for direct mounting of wood and aluminum profiles. L-Adapter is included.</p>
 <p style="margin-top: 10px;">Stone Adapter</p>	<p>Art. No.: INC946078</p> <p>Adapter for direct mounting of plates. The joining dimension between the plates is 5/32" (4mm). Stone-Adapter is included.</p>

© by E.u.r.o.Tec GmbH · Status 06/2024 · Changes, additions, set and printing errors reserved.

Installation Guide – Adjustable pedestal Pro-Line

 <p>XXS extension plate</p>	<p>Art. No.: INC954021</p> <p>For increasing the height of the adjustable foot PRO XXS.</p>
--	---




In order to mount the previously shown click-adapters, they are pressed into the rounding on the base pedestals.

To compensate for greater differences in height between the floor and the terrace, our foot can be extended.

 <p>Extension-Ring 4cm</p>	<p>Extension for the Foot by 1”37/64 Inch (4cm)</p>
---	---

© by E.u.r.o.Tec GmbH · Status 06/2024 · Changes, additions, set and printing errors reserved.

Installation Guide – Adjustable pedestal Pro-Line

 <p>Extension-Ring 10cm</p>	<p>Extension for the Foot by 3"15/16 Inch (10cm)</p>
--	--

For use the Extension-Ring, the base plate must be removed from the foot. the base plate is connected to the foot via a bayonett connection. To loosen it, turn the plate clockwise.



Between the two parts the extension ring can be inserted. After the ring has been inserted, the closure must be resealed. When using the extensions, the ground must be improved for the application. The

© by E.u.r.o.Tec GmbH · Status 06/2024 · Changes, additions, set and printing errors reserved.

Installation Guide – Adjustable pedestal Pro-Line

use on unprepared ground impairs the stability and longevity of the construction. The foot can be expanded by a maximum of 3 extension rings.



To extend our XL foot to the full height, turn the upper part of the head clockwise and the lower counterclockwise. If the upper part of the head is already held in position by a profile, the height can be adjusted by rotating the lower head part. The maximum height of the Pro XL foot is ca. 15”3/4 (40cm).

The beam width of the proline feet is max. 3”1/2 inch (90 mm). The adjustable pedestals ECO-Line are suitable for substructures made of aluminum, wood and composite (WPC). All aluminum system profiles evo-; evo-Slim; eveco-; Support profile HKP and aluminum function strips can be attached to the ECO-Line adjustable pedestals with screws.



Installation Guide – Adjustable pedestal Pro-Line

In order to ensure a material separation between floor covering and adjustable foot, we recommend the use of cork pads under the adjustable feet.



Roof protection cork

To compensate for falls, our profiles can be combined with the Nivello 2.0 (Art. No.: INC946035). The combination of Nivello 2.0 and The Pro-Line series can compensate for slopes of 1% to 10%.



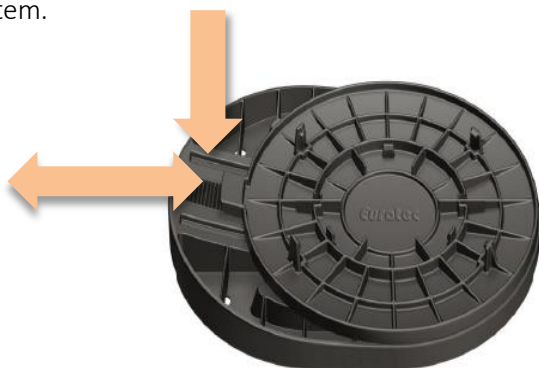
	Installation height	
slope	inches	mm
0% - 1%	0"5/8 – 0"41/64	16.00 – 16.25
2% - 3%	0"21/32	16.50 – 16.75
4% - 5%	0"43/64	17.00 – 17.25
6% - 8%	0"11/16 – 0"45/64	17,50 -17,75
8% - 9%	0"45/64 – 0"47/64	18.00 -18.50
10%	0"3/4	19.00

To adjust the desired slope, the lever must be pulled upwards at the edge of the Nivello 2.0. Now you can set the desired slope in 0.5% steps. The lever locks in the respective position. It is possible to secure

© by E.u.r.o.Tec GmbH · Status 06/2024 · Changes, additions, set and printing errors reserved.

Installation Guide – Adjustable pedestal Pro-Line

the lever with a screw in the Nivello. The installation height, see table, must be taken into account when installing the system.



Always consult local building engineers to make sure that the product is suitable for your projects.