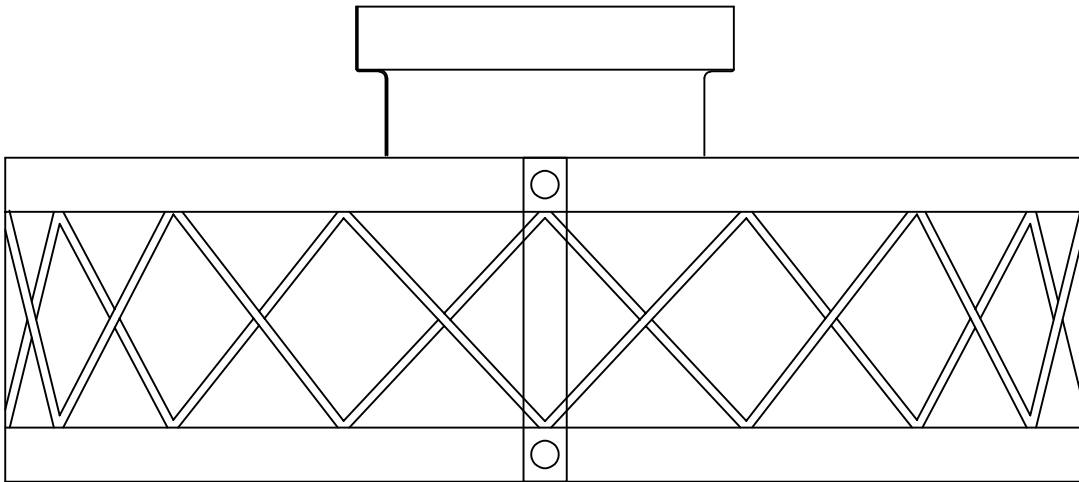


USE AND CARE GUIDE

19.7 INCH CEILING FAN

DL01P06WH

DL01P07WH

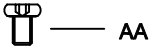


Pre-Installation (continued)

HARDWARE INCLUDED



NOTE: Hardware not shown to actual size .



AA



DD



BB



EE



CC



FF

Part	Description	Quantity
AA	Setscrew(preassembled)	3
BB	Remote control holder mounting screw(not to scale)	2
CC	Wiring cap	2
DD	1.5V AAA Battery	2
EE	Expansion bolt(not to scale)	2
FF	Hanger bracket mounting screws(not to scale)	4

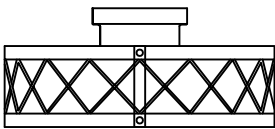
PACKAGE CONTENTS

A



C

B



D



E

Part	Description	Quantity
A	Mounting bracket	1
B	Lamp body	2
C	Remote control	1
D	Remote control holder	1
E	Receiver	1

Installation

MOUNTING OPTIONS



WARNING: To reduce the risk of fire, electric shock, or personal injury, mount the fan to an outlet box marked acceptable for fan support using the screws provided with the outlet box. An outlet box commonly used for the support of lighting fixtures may not be acceptable for fan support and may need to be replaced. If in doubt, consult a qualified electrician.



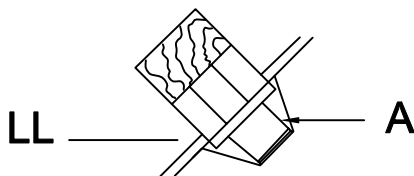
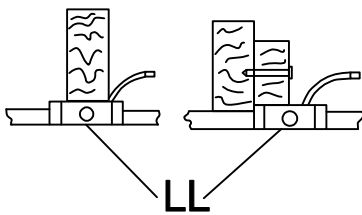
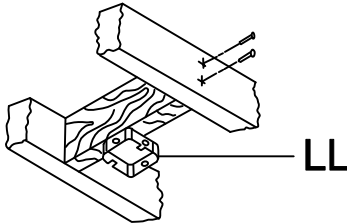
NOTE: You may need a longer downrod to maintain proper blade clearance when installing on a steep, sloped ceiling. The maximum angle allowable is 18° away from horizontal. If the canopy (C) touches the hanger ball/downrod assembly (D), then remove the decorative canopy bottom cover and turn the canopy (C) 180° before attaching the canopy (C) to the mounting bracket (A).

If your ceiling fan does not have an existing UL-listed mounting box, then install one using the following instructions:

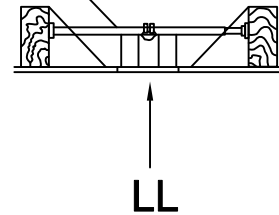
Disconnect the power by removing the fuses or turning off the circuit breakers.

Secure the outlet box (LL) (not included) directly to the building structure. Use appropriate fasteners and materials (not included). The outlet box and its bracing must be able to fully support the weight of the moving fan (at least 35 lbs.). Do not use a plastic outlet box.

The illustrations below show three different ways to mount the outlet box (LL) (not included).



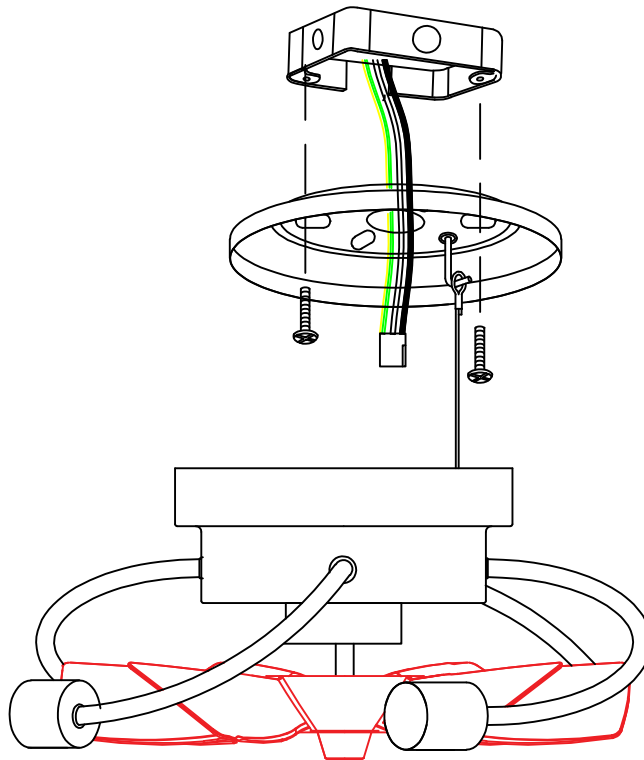
MM



To hang your fan where there is an existing fixture but no ceiling joist, you may need an installation hanger bar (MM) (not included) as shown above.

Assembly

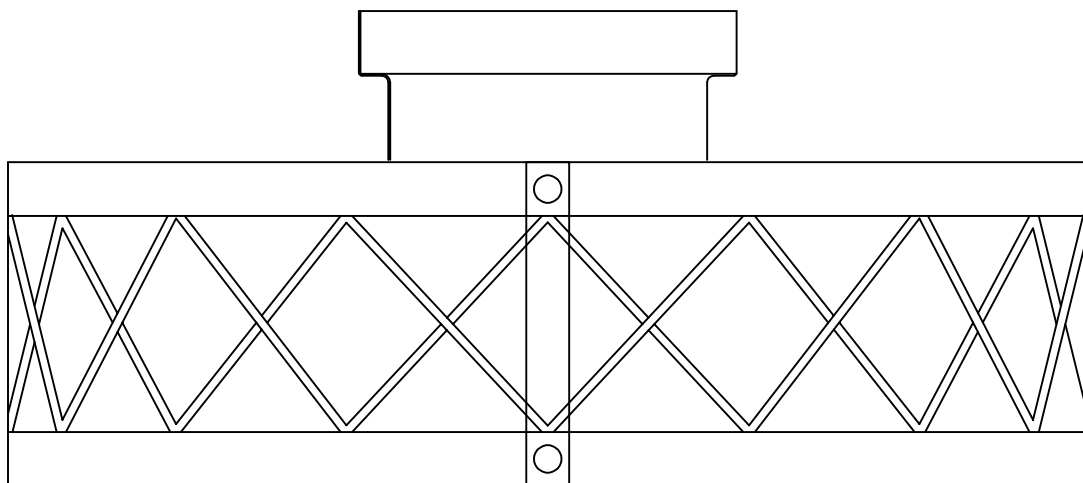
1. Install the suspension system components



2. Assembling the fan



WARNING: Failure to properly install the locking pin could result in the fan becoming loose and possibly falling.



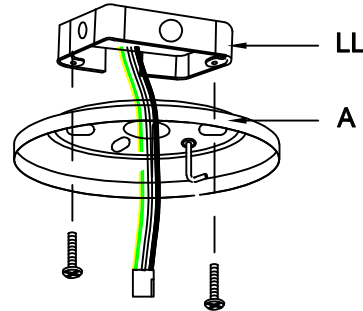
Assembly— Hanging the Fan

3. Description of mounting bracket

1. Loosen the two outlet box screws in the outlet box.
2. Pass the 120-Volt supply wires through the center hole in the mounting bracket (A)
3. Fix the mounting bracket (A) to the outlet box (LL). Note that the plane of mounting bracket (A) is oriented towards the outlet box (LL).
4. Tighten the two mounting screws



WARNING: To reduce the risk of fire, electric shock or other personal injury, mount the fan only to an outlet box or Supporting system marked acceptable for fan support and use the mounting screws provided with the outlet box.



MOUNTING OPTIONS

For wooden ceiling, use wood screw to drill on the wooden beam or the junction box* to fix the hanging bracket (selection is made according to actual requirements of the customers).

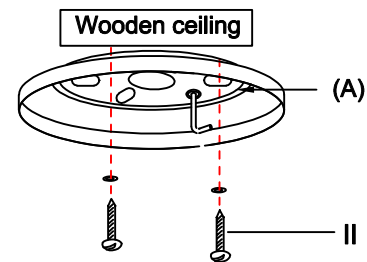
STEP 1 A WOODER CEILING

SWITCH OFF THE ELECTRICAL MAINS AT THE CIRCUIT BREAKER FUSE BOX

1. Use the Mounting Bracket (A) as a guide, mark the spots where the 2 Self Tapping Screws (II) will be drilled.
2. Remove the Mounting Bracket (A), drill 2 holes for 3MM diameter; install the mounting bracket onto wooden ceiling with the 4 Self Tapping Screws (II) & Washers.



IMPORTANT: SCREWS MUST BE TIGHTENED TILL SNUG



STEP 2 A CONCRETE CEILING

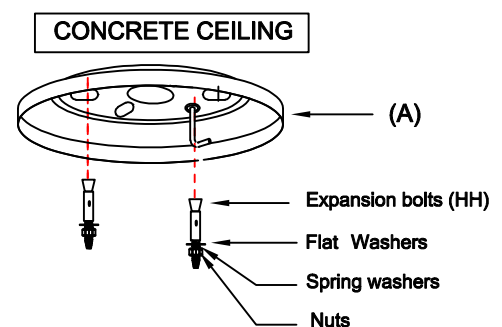
SWITCH OFF THE ELECTRICAL MAINS AT THE CIRCUIT BREAKER FUSE BOX

1. Use the Mounting Bracket (A) as a guide, mark the spots where the 2 Expansion Bolts (HH) will be drilled.
2. Remove the Mounting Bracket (A), drill 2 holes and insert 2 Expansion Bolts (2) into the concrete ceiling. Install the mounting bracket and secure with Flat Washers, Spring Washers and Nuts.

For concrete ceiling, use the percussion bit with diameter 6mm to drill holes according to the length of expansion screws. Then use the attached expansion screws to fix the hanging bracket onto the ceiling (selection is made according to actual requirements of the customers).



IMPORTANT: SCREWS MUST BE TIGHTENED TILL SNUG



Note: according to different ceiling materials, the bracket is fixed with different screws. The ceiling of the fixed bracket shall not be less than 12mm to prevent danger caused by screw loosening. After the suspension support is completed, it shall be able to safely withstand the tensile test of more than 55kg.

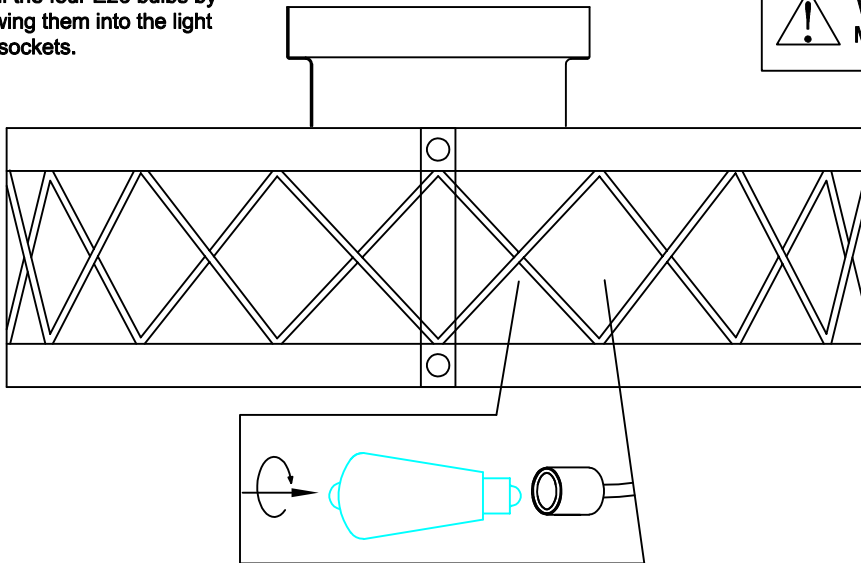
Assembly— Hanging the Fan (continued)

4. Install the light bulb

1. Install the four E26 bulbs by screwing them into the light bulb sockets.



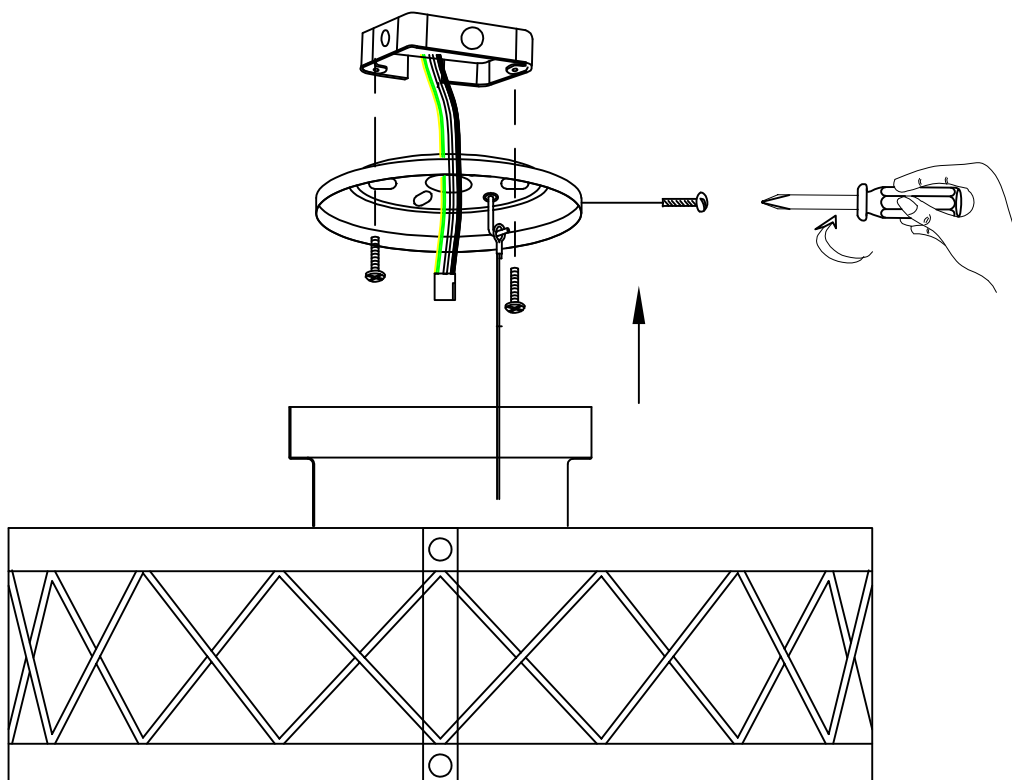
WARNING: The E26 The light bulb
MAX 40W Type B bulb*4PCS.



5. Hanging the fan to the mounting bracket



WARNING: to reduce the risk of electric shock, please
operate after starting to disconnect the power supply
of circuit breaker or fuse box.



Assembly— Hanging the Fan (continued)

6. Making the electrical connections



WARNING: To avoid possible electrical Shock turn the electricity off at the main fuse box before wiring. If you feel you do not have enough electrical wiring knowledge or experience, contact a licensed electrician.



WARNING: Check to see that all connections are tight, including ground, and that no bare wire is visible at the connect Terminal blocks, except for the ground wire.



CAUTION: Do not use with a wall light dimmer switch



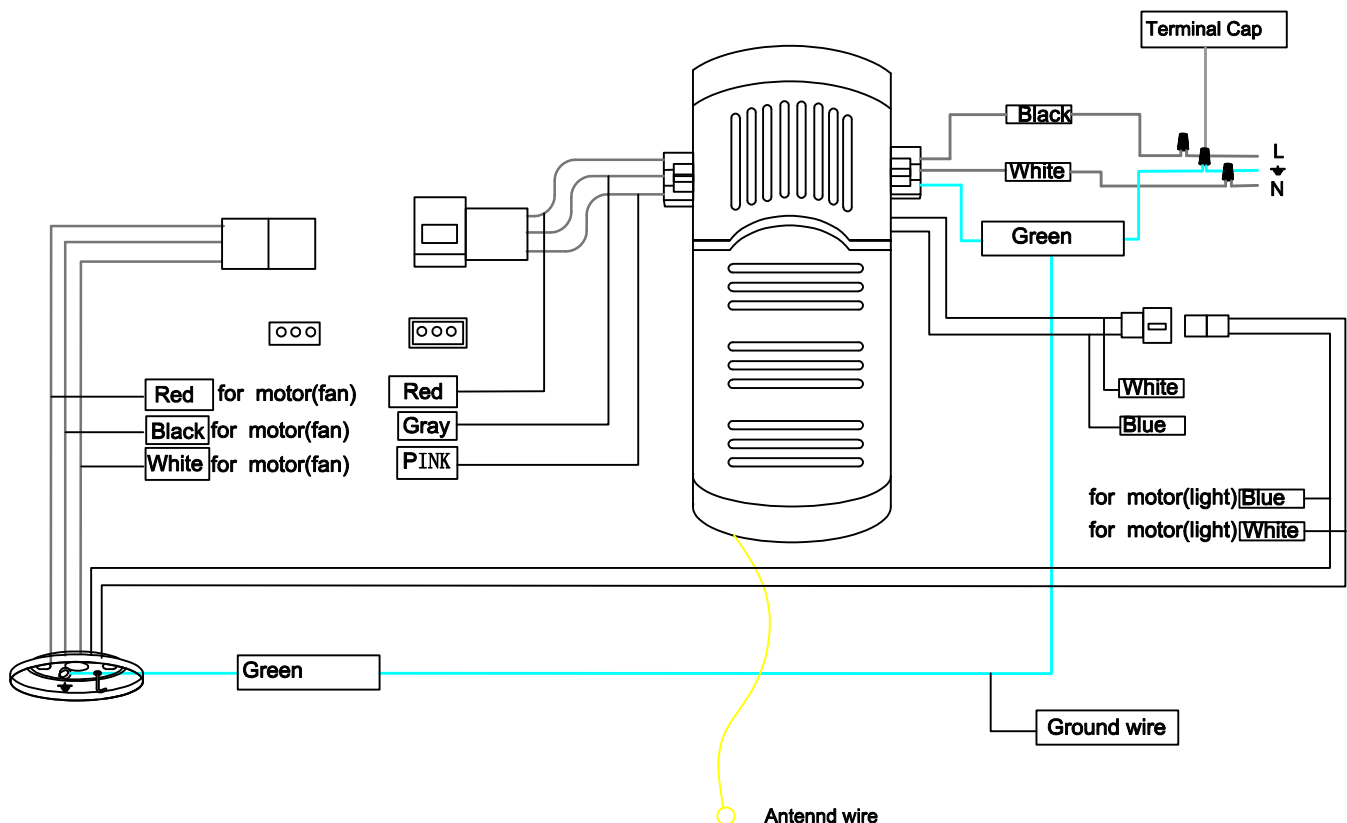
NOTE: The fan must be installed at a maximum distance of 20 ft. from the remote control for proper signal transmission between the remote control and the fan's receiving unit.

Motor to receiver electrical connections:

1. Connect the fan wire with receiver wire by connect terminal.
2. Connect the lamp wire with receiver wire by connect terminal.

Receiver to house supply wires electrical connections:

1. Connect the receiver white wire marked "AC in N" to the household white wire (neutral) using a wire terminal block.
2. Connect the receiver Black wire marked "AC in L" to the household Black wire (hot) using a wire terminal block.
3. Connect the fan wire and the ground wire on the hanger through the terminal block.
4. Use the terminal block to connect the ground wire on the mounting bracket to the household ground wire.



Assembly— Hanging the Fan (continued)

7. How to install the canopy ring cover

