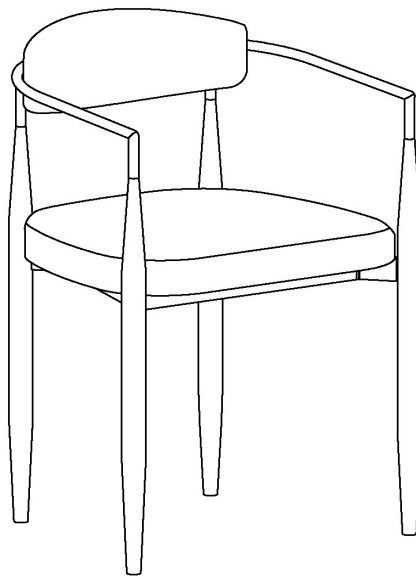


# Assembly Instructions

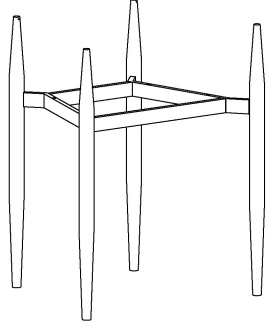
**Caution : You must read this before you proceed**

## Dining Chair


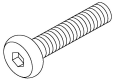






### Parts List

Label	Picture	Description	QTY
A	A line drawing of a rectangular seat cushion with rounded corners and a slight thickness.	Seat	1
B	A line drawing of a curved backrest with armrests. It shows the backrest, armrests, and the support structure connecting them to the seat area.	Backrest	1

C		Metal frame(with pre-installed levelers)	1
---	---	--	---

## Hardware

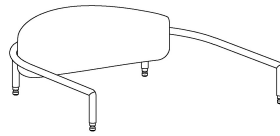
Label	Picture	Description	QTY
①		Bolt (M4*4mm)	5
②		Bolt (M6*54mm)	5
③		Spring Washer(M6)	5
④		Washer (M6*Φ13)	5
⑤		Allen Wrench(M4)	1
⑥		Allen Wrench(M2)	1

## Assembly Preparation

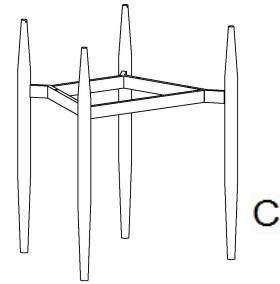
**Before Beginning Assembly:**



A



B



C



X5



X5



X5



X5



x1



x1



- Read instructions, cover to cover-



- Have 2 adults on hand for assembly-



- Do not assemble on flooring or carpet-



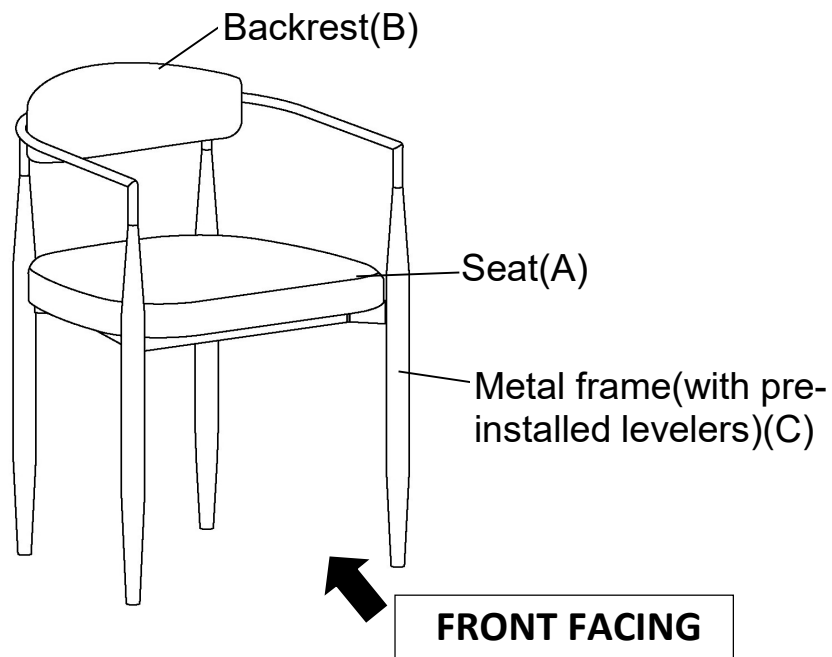
- Assemble on a clean non-marring surface (packing foam)-



- Save all packaging until finished-

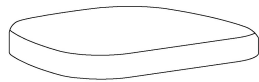
## Assembly Steps

### Overview

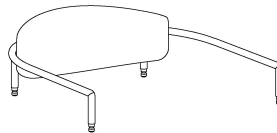


This Dining Chair has multiple parts and may require up to 30 minutes to assemble. To give you an overview of the Dining Chair, the above picture is to help you put the various parts into perspective. Please read through the instructions below to familiarise yourself with the parts and steps before assembly.

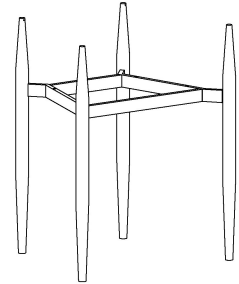
**Step 1**



A



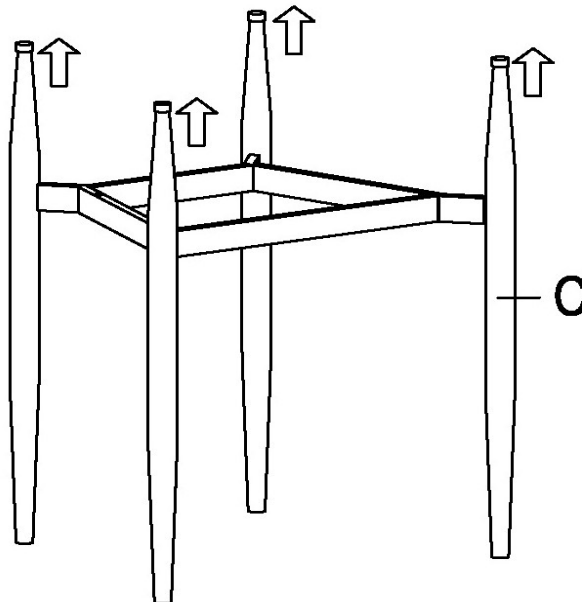
B



C

Place the Seat(A), Backrest(B) and Metal Frame(with pre-installed levelers) (C) on a clean, non-marring surface.

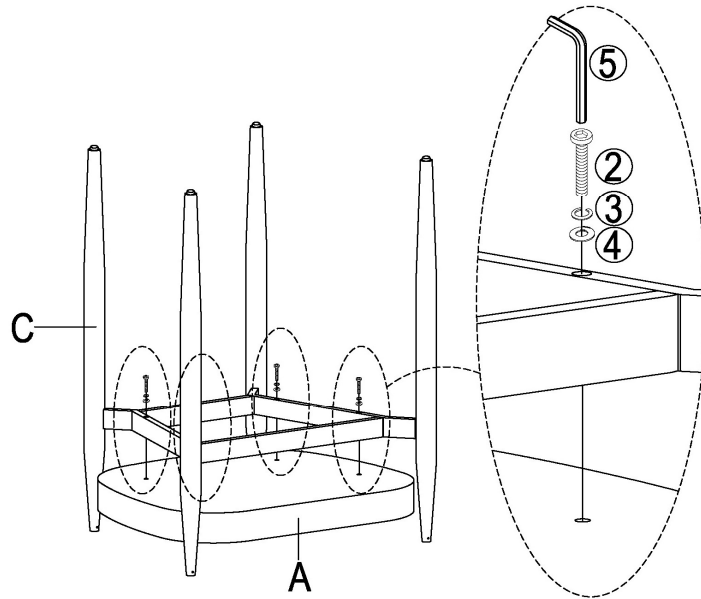
**Step 2**



C

First remove the rubber packaging cover, and then assemble according to the following steps

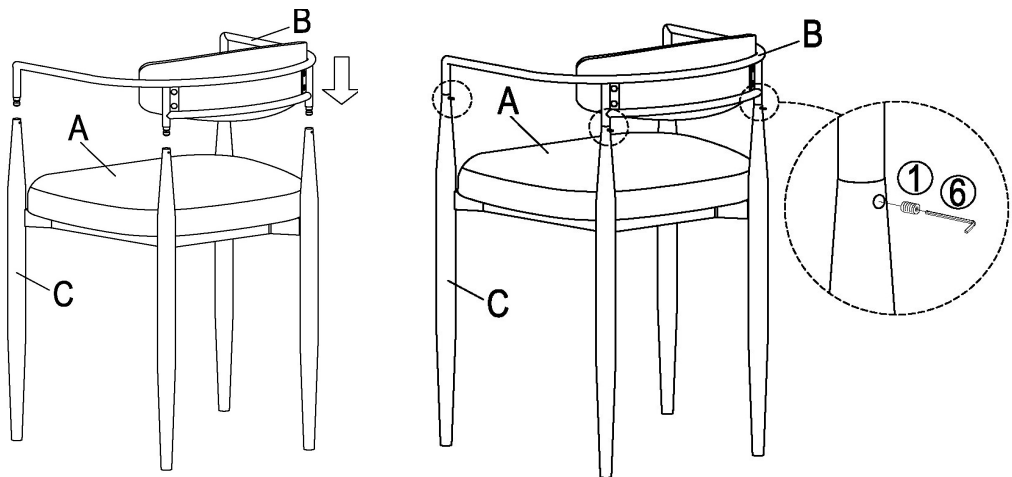
### Step 3



Place the Seat(A) facedown on a clean, non-marring surface. Attach the Metal frame(with pre-installed levelers)(C) to the bottom of the Seat (A) using the Bolts(②), Spring Washers(③), and Washers (④), with the Allen Wrench(⑤) as shown above.

**Note: Do not fully tighten the Bolts in this step.**

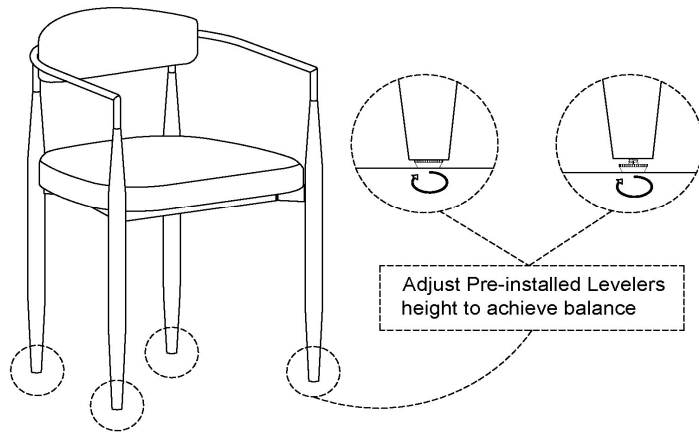
### Step 4



Insert the Backrest(B) onto the Metal frame(with pre-installed levelers)(C) using the Bolts(①), with the Allen Wrench(⑥) as shown above. **Note:**

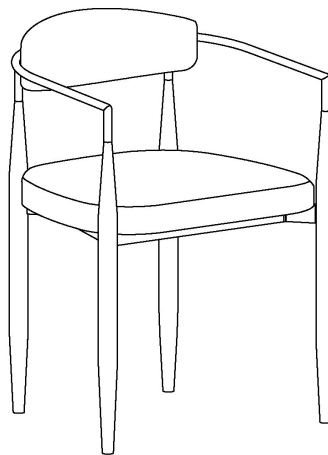
**Once the assembly is completed, proceed to tighten all bolts sequentially.**

## Step 5












With assistance from your adult partner, stand the Chair up.  
Adjust the Pre-installed Levelers at the bottom of Metal frame(with pre-installed levelers)(C) until the Chair is level with the ground.

## Step6



Your Dining Chair is ready for use.  
**This Dining Chair can only be used on a flat, level surface.**

## Care & Maintenance

- ⊘  • Prolonged exposure to rain may cause rusting which can stain floors.
  - ⊘  • Do not put hot items directly on furniture surface.
  - ⊘  • Do not clean furniture with harsh cleansers or polish.
  - ⊘  • To obtain the longest lifespan of your outdoor products, minimizing exposure to direct sunlight is recommended.
  - ⊘  • Children should not climb or jump on the furniture.
  - ⊘  • Do not write on furniture without a padded barrier to protect the surface.
  - ⊘  • To obtain the longest lifespan of your outdoor products, avoid extended and lengthy exposure to rain, snow, and direct sunshine. Whenever possible cover the product and /or place under patio or awnings.
  - ⊘  • Not for commercial use. For residential use only.
  - ⊘  • Stains may be removed with mild soap solution and damp cloth.
  - ⊘  • Keep away from sources of ignition.
- 
- ✓  • Dust and pick-up spills using a clean, non-colored, lint-free cloth.