

Shelburne Pedestal Lavatory



Features:

- Grade A Vitreous China
- 4" Centers
- Rear Overflow
- Available in White or Bone
- Contemporary Design
- 24 1/4" x 20 1/16" x 35"

Codes/Standards:

- ANSI
- CSA
- IAPMO

SKU Description:

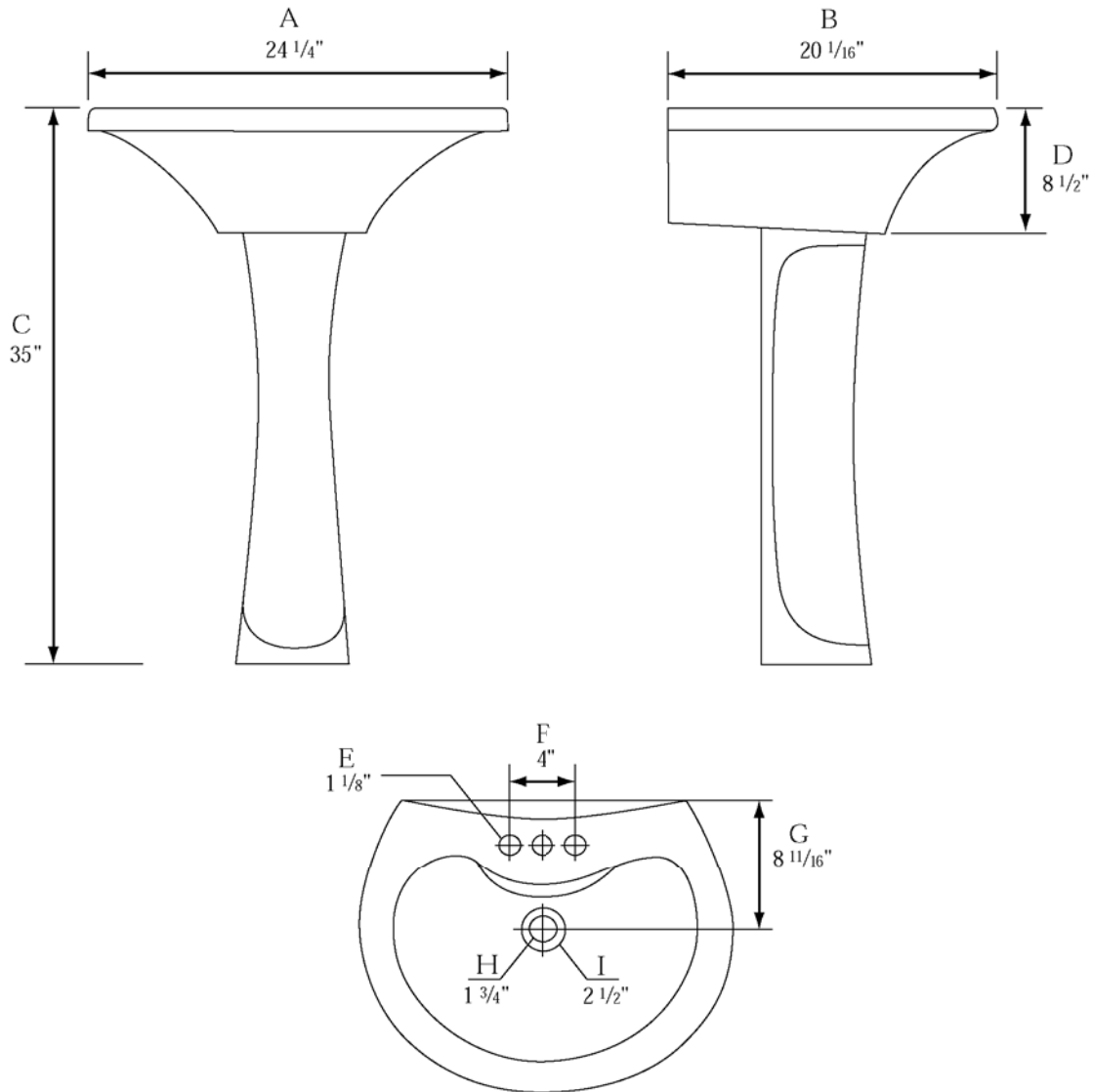
Pedestal Lavatory
4" Centers only
White or Bone



**Limited Lifetime
Warranty**

Model#	Color	H.D.	Expo	Y.O.W.	UPC#
F-300-4W	○	779190			721015338451
L-300-WN	○	592680			721015342649

Shelburne Pedestal Lavatory



Pedestal Lavatory Leg Weight: 17.0 lbs; 7.7 kgs.

Pedestal Lavatory Sink Weight: 30.5 lbs; 13.8 kgs.

Model#	A	B	C	D	E	F	G	H	I
F-300-4W	24 1/4" 615mm	20 1/16" 510mm	-	8 1/2" 215mm	1 1/8" 28mm	4" 102mm	8 11/16" 220mm	1 3/4" 45mm	2 1/2" 64mm
F-300-4B	24 1/4" 615mm	20 1/16" 510mm	-	8 1/2" 215mm	1 1/8" 28mm	4" 102mm	8 11/16" 220mm	1 3/4" 45mm	2 1/2" 64mm
L-300-WN	-	-	35" 889mm	-	-	-	-	-	-
L-300-B	-	-	35" 889mm	-	-	-	-	-	-

Note: The measurements provided are subject to change or cancellation. No responsibility is assumed for use or superseded or voided pages. Please provide suitable reinforcement for all wall supports. Installation instructions supplied. Dimensions of fixture are within range of tolerances of ANSI Standard A112.19.2.M.