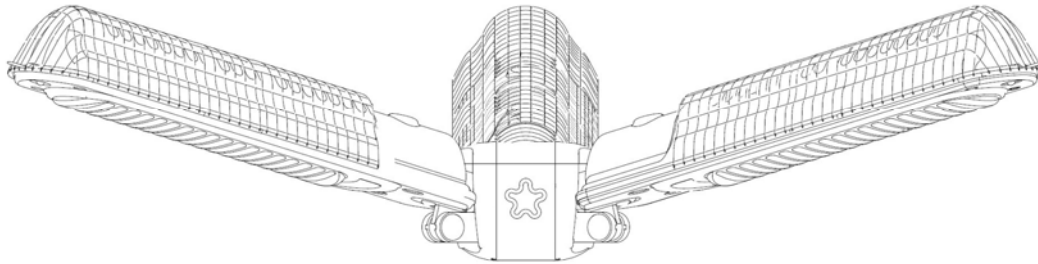




**INSTRUCTION MANUAL**  
**PARASOL INFRARED PATIO HEATER**  
**MODEL: HLI-1P**



**IMPORTANT NOTICE**  
**DO NOT RETURN YOUR HEATER TO PLACE OF PURCHASE UNTIL YOU HAVE**  
**CONTACTED OUR TOLL FREE CUSTOMER SERVICE DEPARTMENT AT 1-888-775-1330,**  
**7 A.M. - 4 P.M., PST, MONDAY - FRIDAY.**

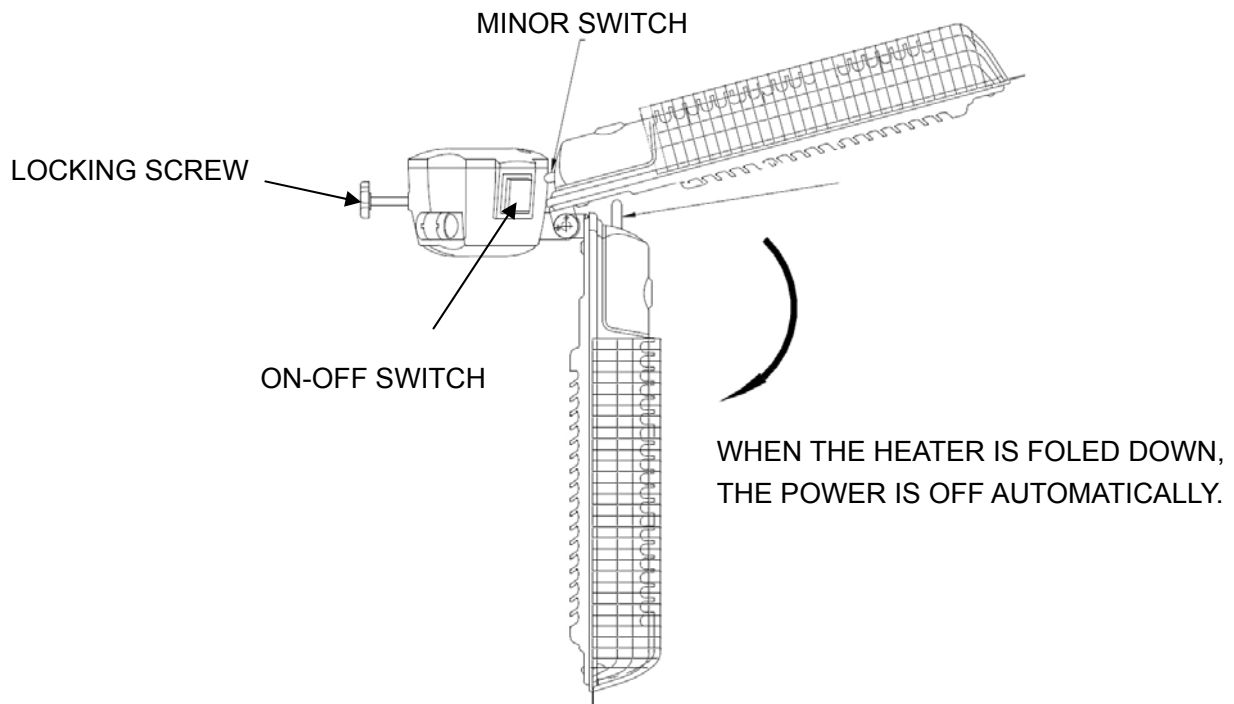
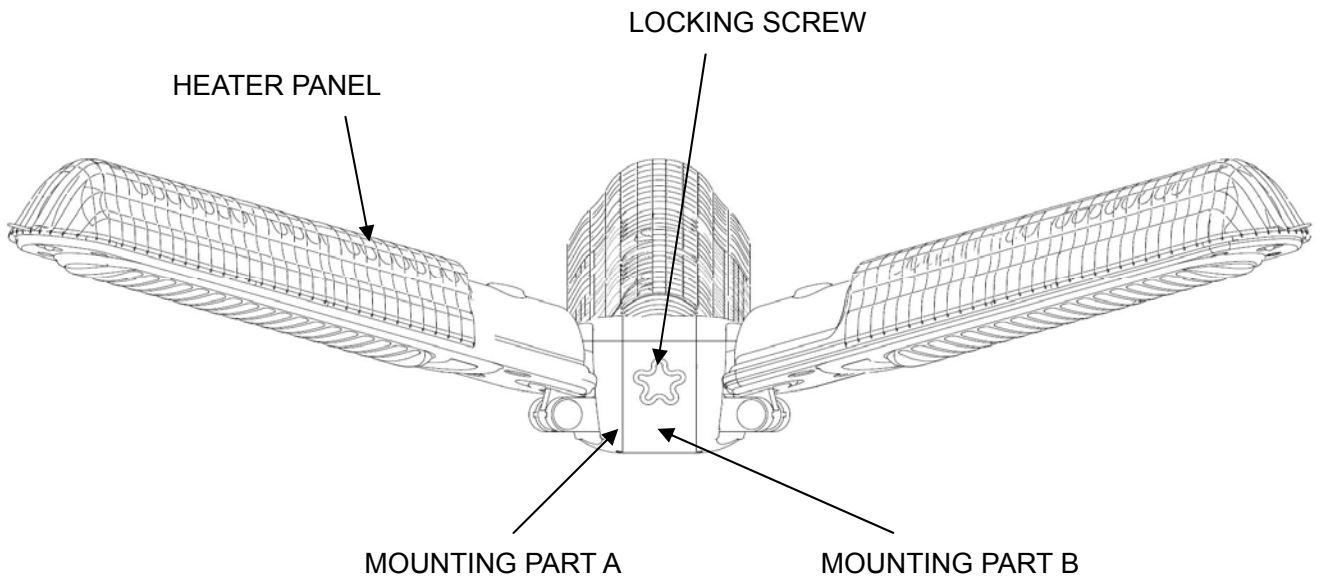
## WARNING

**ONLY USE THE UNIT ON A SECURED VERTICAL POLE THAT IS FIRMLY IN PLACE.**

**READ ALL INSTRUCTIONS BEFORE OPERATING THIS HEATER.**

- This heater is not intended for use in bathrooms, laundry areas or similar indoor locations where there may be moisture. Never place heater where it may fall into a bathtub or other water receptacle.
- This unit is intended for household use only. DO NOT use the unit in such areas as construction sites, greenhouses, barns or stables or any place that has flammable materials.
- DO NOT use the unit in an unventilated area.
- A heater has hot, arcing or sparking parts inside. Do not use it in areas where gasoline, paint or flammable liquids are used or stored.
- DO NOT move the unit when still connected to an electrical.
- DO NOT move the unit when still connected to an electrical outlet and always wait for the unit to cool down before moving, cleaning and storing.
- DO NOT touch the front or the heater when in use . Please use the tabs at the ends of the unit to fold the panel inward.
- Extreme caution is necessary when any heater is used near a child or physically disabled.
- ALWAYS UNPLUG HEATER WHEN NOT IN USE.
- DO NOT LEAVE THE UNIT UNATTENDED WHEN IN OPERATION.
- The unit must have a clearance of 71” from the bottom of the unit to the floor and 12” from the top of the unit to the umbrella.
- This heater is hot when in use. To avoid burns, do not let bare skin touch hot surfaces, If provided, use handles when moving this heater, Keep combustible materials, such as furniture, pillows, bedding, papers, clothes and curtains at least 3” from the front of this heater.
- DO NOT cover the unit with any type of cloth while in operation or a short time after turning the unit off.
- DO NOT wrap the power cord around the unit.
- Do not insert or allow foreign objects to enter any ventilation or exhaust opening as this may cause electric shock, fire or damage to the heater.
- Please handle the unit with care.
- DO NOT operate any unit with a damaged power cord or plug or after the heater malfunctions or if it has been dropped or damaged in any manner.
- DO NOT USE THE UNIT AS A ROOM HEATER.
- Do not run power cord under carpet; do not cover cord with throw rugs, runners or the like, Arrange cord away from traffic area where it may be tipped over.
- Disconnect heater, turn controls to off then remove plug from outlet.
- Prevent possible fire, do not block air intakes or exhaust openings in any manner. Do not use on soft surfaces, like a bed where openings may become blocked.
- Use this heater only as described in this manual, any other use not recommended by the manufacturer may cause fire, electric shock or injury to persons.
- The heater is not intended for use with an extension cord. Plug the cord directly into an appropriate wall receptacle. If an extension cord is used, it must be a minimum 14AWG and rated not less than 1875 Watts.
- The output of this heater may vary and its temperature may become intense enough to burn exposed skin. Use of this heater is not recommended for persons with reduced sensitivity to heat or an inability to react to avoid burns

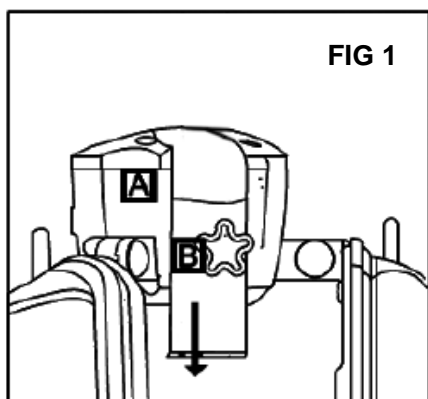
## PART LIST



1. MAKE SURE THAT ALL THE PARTS ARE PRESENT AND THAT THERE ARE NO MISSING PARTS, PLEASE EMPTY THE CARTON THOROUGHLY TO MAKE SURE AFTER UNPACKING THE UNIT FROM THE BOX.
2. DO NOT PLUG THE UNIT IN UNTIL THE UNIT IS COMPLETELY ASSEMBLED ON THE UMBRELLA AND THERE IS NO DAMAGE TO THE UNIT AND POWER CORD.

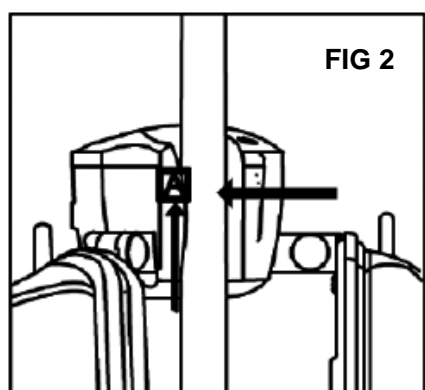
**IF THERE IS ANY DAMAGE OR MISSING PARTS, PLEASE CALL OUR CUSTOMER SERVICE DEPARTMENT AT 1-888-775-1330, 7 A.M. - 4 P.M., PST, MONDAY - FRIDAY.**

## ASSEMBLY

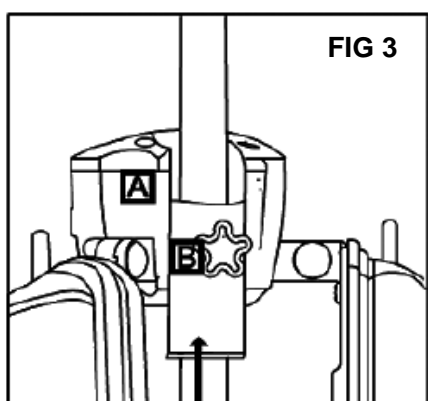


**MAKE SURE THE HEATER PANELS ARE FOLDED DOWN BEFORE MOUNTING THE HEATER ONTO THE UMBRELLA.**

1. Remove the heater brace from the heater body by sliding it downward, please see FIG 1.



3. Place the heater onto an umbrella pole between 1" (25mm) and 2" (50mm) in diameter by inserting the pole into the slot, please see FIG 2.

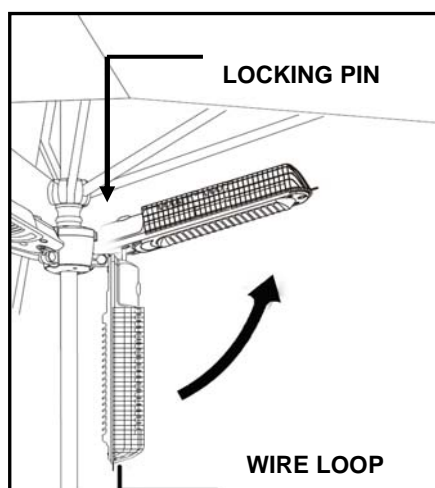


3. Place the heater brace back on by sliding it upward, please see FIG 3.

4. Secure the heater to the umbrella pole by turning locking screw clockwise until the heater is secure on the umbrella pole.

5. Use the wire loop at the end of the heater panel, pull the heater panel up until a click is heard, This means that the panel is now locked into position.

**NOTE: DO NOT FOLD THE PANELS DOWN WITHOUT FIRST PUSH THE LOCKING PIN IN.**



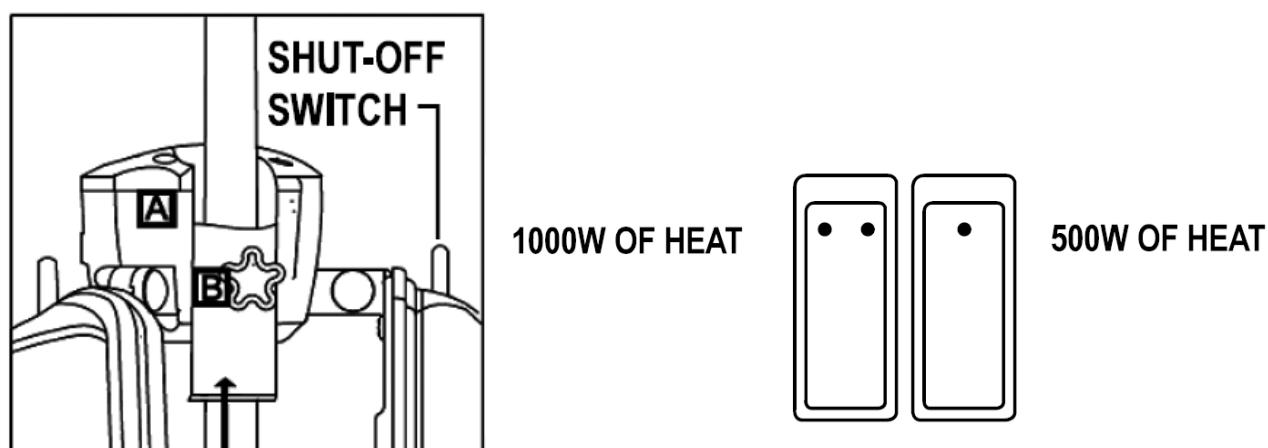
### 6, FOLD DOWN ANY OF THE HEATER PANEL

Press metal locking pin at the hinge of the heater panel, then hold wire loop at the front end of the heater to fold down the panel.

**NOTE: WAIT UNTIL THE HEATER PANELS HAVE ALL COOLED DOWN BEFORE FOLDING THE HEATER PANELS DOWN.**

7. When any of the heater panels is folded down while the heater is on, that panel will shut off, because on the back of the panel is a minor switch so that only two or one heater panel can be used.

## OPERATING INSTRUCTION



1. Connect the plug to a 120V/60HZ outlet.
2. Press the switch on the unit with the "●" for 500W of heat. Press the "● ●" switch only and two heater panels will activate producing 1000W of heat. Press the two switches together for 1500W of heat.
3. Turn off the heater, press both switches downward.

**NOTE: THIS PORTABLE ELECTRIC HEATERS ARE DESIGNED FOR SPOT HEATING OR AS A SUPPLEMENTARY HEAT SOURCE. THEY ARE NOT INTENDED TO BE THE MAIN SOURCE OF HEAT DURING THE COLD MONTHS.**

### OVERHEAT PROTECTION SHUT-OFF

If an overheat temperature is reached, the heater will automatically shut off.

It can only resume operation after the user resets the unit. Before reset, please inspect and remove any objects on or adjacent to the heater that may cause high temperature.

#### RESET THE HEATER:

1. Turn the heater off.
2. Unplug the heater.
3. After 5-10 minutes, plug the unit in again and operate normally.

**CAUTION:** You must always take care that there is sufficient distance for safety (at least 3") between the heater and the wall or other objects.

**PLEASE AVOID THE USE OF AN EXTENSION CORD, HOWEVER, IF YOU MUST USE AN EXTENSION CORD, THE CORD SHOULD BE NO.14 AWG MINIMUM SIZE AND RATED NOT LESS THAN 1875 W.**

## CLEANING AND STORAGE

1. Turn the unit OFF and unplug the unit before cleaning.
2. Use only a soft cloth to clean the exterior.
3. Cleaner can be used to clean the interior.
4. Do not immerse the unit in water and never allow water to drip into the motor housing.  
**Caution: Do not allow water to run into the interior or the heater as this could create a fire or electric shock hazard.**
5. Do not use gasoline, paint thinner or other chemicals to clean the fan.
6. Store the fan in its original box and store in a cool, dry place.

**NOTE: IF YOU EXPERIENCE A PROBLEM, PLEASE RETURN THE UNIT TO THE PLACE OF THE ORIGINAL PURCHASE OR SEE YOUR WARRANTY. DO NOT ATTEMPT TO OPEN THE MOTOR HOUSING YOURSELF. DOING SO MAY VOID YOUR WARRANTY AND CAUSE DAMAGE TO THE FAN OR PERSONAL INJURY.**

## SPECIFICATION

Power Supply: 120V / 60HZ

Wattage: 500W on LOW, 1000W on MEDIUM, 1500W MAXIMUM

Net Weight: 3.60 kgs

Gross Weight (with carton):5.0 kgs

### GROUNDING INSTRUCTIONS

This product must be grounded, If it should malfunction or breakdown, grounding provides a path of least resistance for electric current to reduce the risk of electric shock. This product is equipped with a cord having an equipment – grounding conductor and a grounding plug. The plug must be plugged into an appropriate outlet that is properly installed and grounded in accordance with all local codes and ordinances.

### DANGER

Improper connection of the equipment-grounding conductor can result in a risk of electrocution, Check with a qualified electrician or service personnel if you are in doubt as to whether the outlet is properly grounded, Do not modify the plug provided with the product, If it does not fit the outlet, have a proper outlet installed by a qualified electrician, Do not use any type of adaptor with this product.

### GROUND FAULT CIRCUIT INTERRUPTER (GFCI) PROTECTION

This unit is provided with a ground fault circuit interrupter (GFCI) built into the plug of the power supply cord, This device provides additional protection from the risk of electric shock.

**SHOULD REPLACEMENT OF THE PLUG OR CORD BECOME NECESSARY, USE ONLY IDENTICAL REPLACEMENT PARTS THAT INCLUDE GFCI PROTECTION.**

## **WARRANTY**

Warranty covers all components of this appliance to be free from defects in materials and workmanship for one year from the date of purchase. Within this period, manufacturer will correct any defects by repairing or replacing defective parts of the appliance. Replacement parts for this appliance are available from our customer service department at 888-775-1330.

Manufacturer will not be obligated to repair or replace equipment which has been repaired by others, abused, altered or misused. Furthermore, manufacture will not be held liable for any losses due to neglectful operations on the part of the purchaser. Upon the expiration of such warranty all such liability will terminate. No other warranties are expressed or implied. Returned merchandise will be accepted for repair or replacement only. Prior written approval and a return authorization number must be obtained. All returns must be shipped prepaid. Collect shipments will not be accepted.

**AZ Patio Heaters**  
**8550 N 91<sup>st</sup> Ave Ste C-25**  
**Peoria, AZ 85345**  
**888-775-1330**