

*Model pictured is CZ225ER.
Model purchased may look
slightly different.

Models
CZ225ER2C
CZ230ER2C
have 2
remote controls



Digital Ceiling Mounted Heater

HARDWIRED INSTALLATION REQUIRED

This heater must be grounded and hardwired to a properly sized current protection circuit breaker in accordance with the (US) National Electric Code and local codes.

Description

- Adjustable Heat Settings with Digital Thermostat
- Fan-Forced for Wide Heat Circulation
- Fan Only Setting for Year-Round Air Circulation
- 12-Hour Timer with Auto Shut-Off
- Horizontal and Vertical Air Flow with Tilt Feature
- Sturdy Heavy Gauge Steel Body
- Remote Control
- High Limit Thermal Cut-Out Switch

INTENDED USE

Electric Utility heaters are designed to meet a variety of heating requirements. This product is intended for indoor use only. Use only with electrical wiring that is in good working order and that meets applicable codes and ordinances.

If you have any questions whether your wiring is adequate, consult a qualified electrician. Risk of fire, overheating, malfunction, property damage, injury or even death may result if not adhered to.

Use your heater-fan only with a working smoke detector located in the vicinity of your heater-fan.

While using your heater-fan, you should follow the IMPORTANT INSTRUCTIONS listed below. As part of those instructions, we have used the word "**WARNING**" to indicate the level of hazard: **WARNING** indicates a hazard which, if not avoided, could result in injury or death.

GENERAL SAFETY INFORMATION:

WARNING- Read and understand installation and operation instructions and observe all safety instructions. **SAVE THESE INSTRUCTIONS**

1. For supply connections, use only copper wire, **see SPECIFICATIONS**.
2. Heater air flow must be directed parallel to, or away from adjacent wall.
3. Observe wall, floor, and ceiling clearance requirements. See **Figure 1**.
4. All wiring must conform to national and local electrical codes in the United States and the heater must be grounded as a precaution against possible electrical shock. Heater circuit must be protected with proper fuses or circuit breakers.
5. The mounting structure and the anchoring hardware must be capable of reliably supporting the weight of the heater and, if used, the mounting bracket.
6. All electrical power must be disconnected, and the main service box must be locked before inspection, cleaning or servicing the heater. This is a precaution to prevent serious shock.
7. This heater is not suitable for use in hazardous locations as defined by the National Fire Protection Association (NFPA) in the United States. This heater has hot and arcing (sparking) parts inside. Do not use in areas where gasoline, paint, or flammable liquids are used or stored.
8. This heater is not suitable for use in corrosive atmosphere such as marine, greenhouses or chemical storage areas.
9. Do not install closer than **8 inches** to a vertical surface. Do not install less than **6 feet** from the floor.
10. Extreme caution is necessary when any heater is used by or near children or invalids and whenever the heater is left operating and unattended.
11. Use this heater only as described in this manual. Any other use not recommended by the manufacturer may cause fire, electric shock, or injury to persons.

WARNING- Improper installation or failure to follow the procedures outlined in this instruction manual can result in serious electrical shock.

READ & SAVE THESE INSTRUCTIONS

WARNING: SHOCK HAZARD

Use your heater only in dry environments. This heater is not intended for use in a bathroom, laundry area, or similar locations, or near sinks, washing machines, swimming pools or other sources of water. Never locate heater where it may fall into a bathtub or other water container. Do not use heater outdoors. Do not use in damp environments such as flooded basements.

WARNING: HOT SURFACES

Do not touch body of heater when in use. This heater is hot when in use, to avoid burns, do not let bare skin touch hot surfaces. If provided, use handles when moving this heater.

WARNING: FIRE HAZARD

Heater has hot and arcing or sparking parts inside. Do not use near combustible materials or flammable gases or sources of heat. **DO NOT USE** in areas where gasoline, paint or flammable materials are used or stored. Keep combustible materials such as furniture, pillows, bedding, papers, clothes and curtains at least 3 feet (0.9 m) from the front of the heater and keep them away from the sides and rear. Keep rear grille away from walls or drapes so as to not block air intake. To prevent a possible fire, do not block air intakes or exhaust in any manner. Do not use on soft surfaces, like a bed, where openings may become blocked. Do not insert or allow foreign objects to enter any ventilation or exhaust opening as this may cause an electric shock, fire, or damage the heater.

WARNING: ELECTRICAL SHOCK HAZARD

Do not use with damaged wiring. Use with adequate electrical system that is up to code.

Do not operate any heater with a damaged cord or plug or after heater malfunctions, has been dropped or damaged in any manner. Do not operate heater with a broken heating element or ceramic cone or any visual imperfections. For repairs covered under warranty, see warranty statement. For all other repairs contact Comfort Zone® Customer Service by telephone or mail for information and assistance.

PET OWNERS NOTE:

The health of birds and some small pets are extremely sensitive to the fumes given off during the initial use of many appliances. Although these fumes are not harmful to humans, it is recommended that this heater not be used around birds and small pets during its initial use until the manufacturing corrosion coatings burn off.

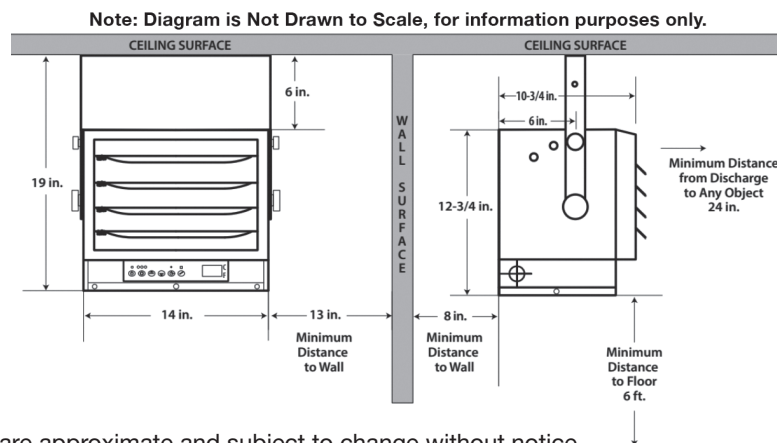
SPECIFICATIONS:

CZ225ER SERIES DIGITAL HEAVY DUTY 6,000W ELECTRIC UTILITY HEATER					
WATTS	SWITCH POSITION	VOLTS (VAC)	PHASE	AMPS	BTU/HOUR
6,000W	HIGH (Default)	208-240V, 60Hz	1	24	20,470
4,500W	MEDIUM	208-240V, 60Hz	1	18.1	15,360
3,000W	LOW	208-240V, 60Hz	1	11.9	10,240
N/A	FAN ONLY	N/A	N/A	N/A	N/A
AIR THROW	HORIZONTAL	18 FT (APPROXIMATE)			
RECOMMENDED	CIRCUIT BREAKER	30 AMP	or larger , in accordance with NEC and local codes.		
RECOMMENDED	WIRE SIZE	10 AWG, COPPER ONLY RATED AT 167°F/75°C	or larger , hardwired in accordance with NEC and local codes.		
RECOMMENDED LUG TORQUES		35 IN-LBS	or greater , in accordance with NEC and local codes		
PRODUCT WEIGHT (APPROXIMATE)		BETWEEN 25 TO 30 LBS			

CZ230ER SERIES DIGITAL HEAVY DUTY 7,500W ELECTRIC UTILITY HEATER					
WATTS	SWITCH POSITION	VOLTS (VAC)	PHASE	AMPS	BTU/HOUR
7,500W	HIGH (Default)	208-240V, 60Hz	1	31.3	25,590
N/A	MEDIUM	N/A	N/A	N/A	N/A
6,250W	LOW	208-240V, 60Hz	1	26	21,240
N/A	FAN ONLY	N/A	N/A	N/A	N/A
AIR THROW	HORIZONTAL	18 FT (APPROXIMATE)			
RECOMMENDED	CIRCUIT BREAKER	40 AMP	or larger , in accordance with NEC and local codes.		
RECOMMENDED	WIRE SIZE	8 AWG, COPPER ONLY RATED AT 167°F/75°C	or larger , hardwired in accordance with NEC and local codes.		
RECOMMENDED LUG TORQUES		40 IN-LBS	or greater , in accordance with NEC and local codes		
PRODUCT WEIGHT (APPROXIMATE)		BETWEEN 25 TO 30 LBS			

FOR CZ225ER AND CZ230ER SERIES

Figure 1



NOTE: Product dimensions are approximate and subject to change without notice.

WARNING:

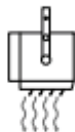
FOR INDOOR USE ONLY, IN A DRY LOCATION FREE OF GASOLINE, PAINT, FLAMMABLE LIQUIDS OR COMBUSTIBLE DUST OR MATERIALS.

DO NOT USE EXTENSION CORDS

MAXIMUM MOUNTING HEIGHT USING BRACKET FOR:

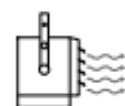
VERTICAL AIR FLOW:

The maximum recommended ceiling height for effective vertical air flow is 11 ft.



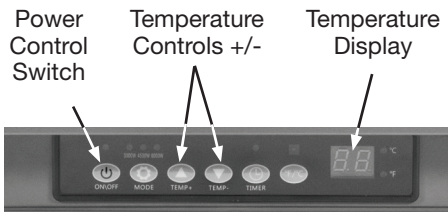
HORIZONTAL/ANGLED AIR FLOW:

The maximum recommended ceiling height for effective vertical air flow is 8 ft.



**Series Model: CZ225ER
DIGITAL HEAVY DUTY 6,000W
ELECTRIC UTILITY HEATER**

Figure 2

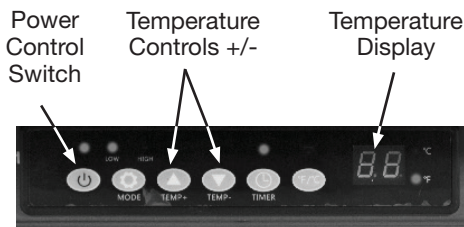


Control Panel Detail
(Enlarged for Clarity)



**Series Model: CZ230ER
DIGITAL HEAVY DUTY 7,500W
ELECTRIC UTILITY HEATER**

Figure 2



Control Panel Detail
(Enlarged for Clarity)



OPERATION AND TEMPERATURE SETTING:

1. This heater is designed to maintain a comfortable room temperature. Always operate the heater in the upright position following all instructions and recommendations listed in this manual.

When the heater is turned on by pressing the POWER button, it will operate on HIGH setting (6,000W) continuously. The LED display panel will show the ambient temperature. Press the MODE button on either the unit or remote to change the heat setting to LOW (3,000W) then, press the MODE button again to MEDIUM (4,500W). The fan will start running about 10 seconds after initial start to push the heat out. The sequence is HIGH-LOW-MEDIUM-FAN-ONLY. To operate the unit on FAN ONLY setting, press the MODE button again. In FAN ONLY mode, the LED display panel will show FA to indicate the heater is in FAN ONLY mode. From FAN ONLY mode, pressing the MODE button will make the heater operate in HIGH setting again, and the ambient temperature will appear on the LED display.

OPERATION AND TEMPERATURE SETTING:

1. This heater is designed to maintain a comfortable room temperature. Always operate the heater in the upright position following all instructions and recommendations listed in this manual.

When the heater is turned on by pressing the POWER button, it will operate on HIGH setting (7,500W) continuously. The LED display panel will show the ambient temperature. Press the MODE button on either the unit or remote to change the heat setting to LOW (6,250W). The fan will start running about 10 seconds after initial start to push the heat out. The sequence is HIGH-LOW-FAN-ONLY. To operate the unit on FAN ONLY setting, press the MODE button again. In FAN ONLY mode, the LED display panel will show FA to indicate the heater is in FAN ONLY mode. From FAN ONLY mode, pressing the MODE button will make the heater operate in HIGH setting again, and the ambient temperature will appear on the LED display.

2. The temperature setting can be adjusted between 45°F (7°C) to 95°F (35°C). To change the temperature, press the TEMP+ or TEMP - buttons on either the unit or the remote. (See **Figure 2**)
3. The temperature display will blink while it is being adjusted. When the desired temperature is reached, it will take about 5 seconds to accept the setting. Once the display stops flashing, the room temperature will reappear on the LED screen to indicate the desired temperature is set.
4. In any temperature mode, the unit will stay in that mode, cycling on and off to maintain the set temperature. The heater will reach the set temperature faster in HIGH setting.
5. The heater can be turned OFF by pressing the POWER button. Once the unit is turned off, the fan will continue to run to cool down the unit and there will be a 90 seconds countdown on the digital display.

TIMER FUNCTION:

The Timer function allows you to set the length of operation from 1 to 12 hours. Each time the TIMER button is pressed the length of operation will increase 1 hour. The duration the timer is set for will be displayed on the LED screen in hour increments.

TO TURN THE TIMER FUNCTION OFF: Press the TIMER Button continuously until the LED screen displays "0".

NOTE: The timer function is not an excuse to leave the heater unattended.

NOTE: Heater will cycle on and off to maintain room temperature. The first time you operate the unit, it may smoke slightly. This is due to residual cleaning agents used to clean the element when the heater is manufactured. This is normal and does not indicate a problem with the unit. This condition will stop after the heater has been in operation for a few minutes.

FAHRENHEIT OR CELSIUS DISPLAY:

To switch the display between Fahrenheit and Celsius, press the °F/°C on either the unit or the remote.

INSTALLING THE HEATER:

LOCATING THE HEATER:

Install the heater out of traffic areas, maintaining the clearances stated in **Figure 1** above. The air flow from the heater must not be restricted or obstructed by any items in the room. When more than one heater is used in an area, the heaters should be arranged so that the air discharge of each heater supports the air flow of the others to provide best circulation of warm air, as indicated below in **Figure 3**.

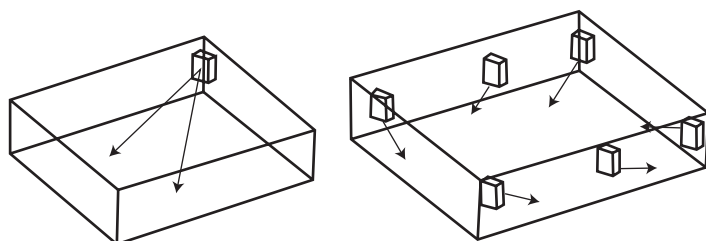


Figure 3

BRACKET INSTALLATION FOR CZ225ER AND CZ230ER SERIES:

Refer to **Figures 4a and 4b**.

1. Locate a ceiling joist or other firm structural element or support to mount the heater and point at desired direction of air flow.
2. Drill a 1/4" pilot hole in the ceiling joist for the screw(s).
3. Place the screw(s) and washers as shown in the **Figures 4a or 4b**.

Figure 4a: For Single-Screw Mounting (center bracket hole only).

(If you want to swivel the heater, a longer Lag bolt may be required to properly secure the heater, not included.)

Figure 4b: For Double-Screw Mounting (both off-center

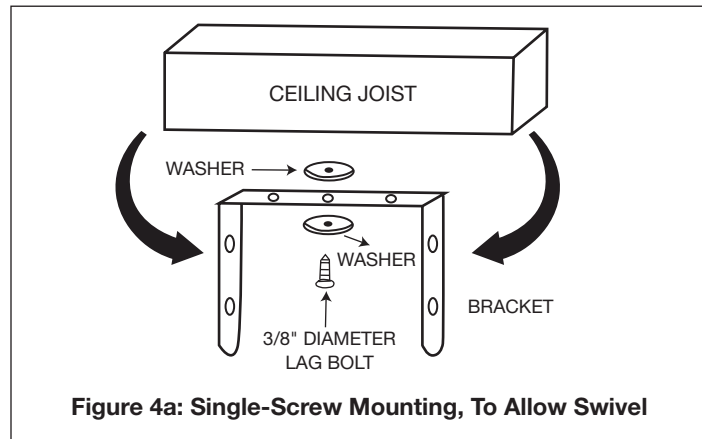


Figure 4a: Single-Screw Mounting, To Allow Swivel

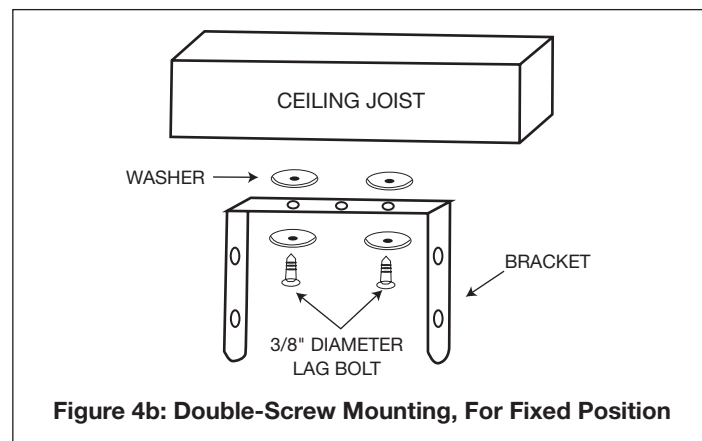


Figure 4b: Double-Screw Mounting, For Fixed Position

holes are used).

HANGING THE HEATER IN THE BRACKET

1. Lift the heater into the mounting bracket and align the lower bracket holes with the threaded holes nearest the heater's center.
2. Thread a large knob-screw through the hole on each side of the bracket.
3. Aim the heater horizontally or tilted by aligning the upper bracket holes with the top threaded holes on the heater

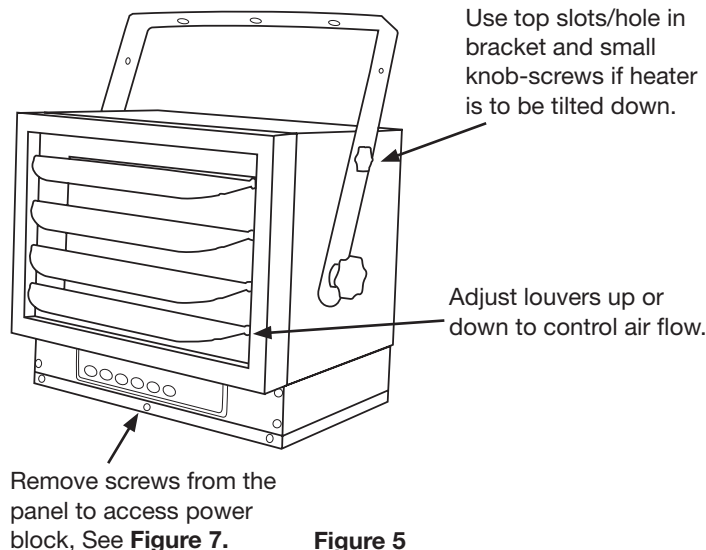


Figure 5

and secure with the small knob-screws and tighten all. See **Figure 5**.

CONNECTING THE POWER:

1. With the power off at the breaker, remove all screws from the bottom lid for access to the electrical section of the heater.
2. Attach flexible cable through a knock-out in the side of the heater following NEC and local codes, See **Figure 6** and **SPECIFICATIONS** for recommended wiring and circuit breakers.

NOTE: For certain applications, conduit may be required

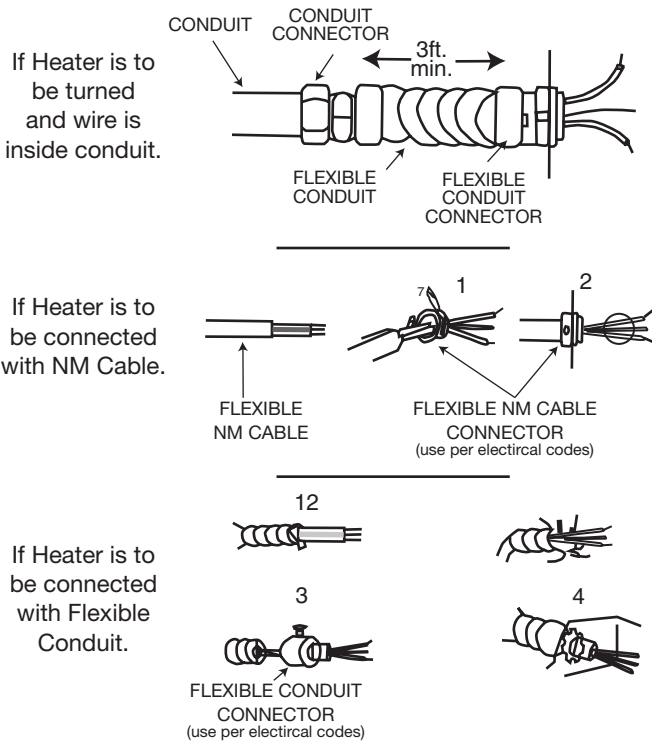


Figure 6

(See **Figure 6**). Check local electrical codes. If you run the wiring in conduit and wish to be able to turn the heater be sure to purchase enough flexible conduit to allow the heater to be turned.

3. Pull enough wire into the heater and connect the wire to the Power Block located in the electrical area of the heater, See **Figure 7**.
4. Be sure to torque all terminal screws and power block lugs tight, see **SPECIFICATION** and NEC/local codes, for

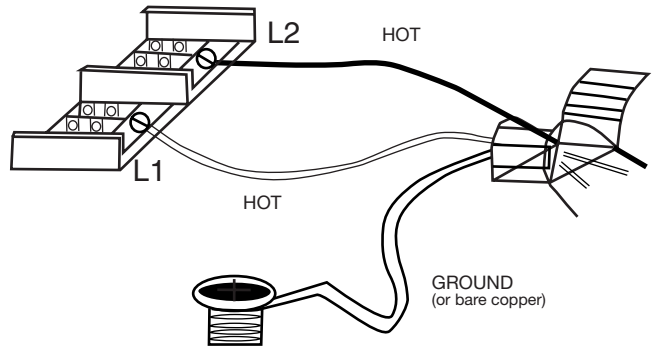


Figure 7

required **torque values**, failure to do so can overheat the power blocks.

5. Turn on power at the main circuit breaker panel. Notice the **YELLOW** Power Indicator Light on the Control Panel will glow.

WARNING: It is advised that at the start of each heater season, the power should be turned off at the circuit breaker and the L1 & L2 lug screws checked for tightness and **proper torque**. The heater should be cleaned and checked for mechanical and electrical integrity. See **SPECIFICATION** and NEC/local codes.

ADJUSTING AIR FLOW:

1. **Swivel the unit-** If mounted on a single center lag bolt **Figure 4a**, turn the entire heater and bracket assembly left or right.
2. **Tilt the unit-** Loosen the top Small Knob-Screws and thread into provided holes in heater until tight. See **Figure 5**.
3. **Adjust the louvers** in front of the heater as desired. See **Figure 5**.

NOTE: DO NO OPERATE THE HEATER WITH THE FRONT LOUVERS CLOSED, DAMAGE TO THE HEATER COULD RESULT.

SAFETY INSTRUCTIONS:

To start the heater, turn on the circuit breaker. The Power Indicator light will light up to indicate there is power available. Press the **POWER** button to turn the heater on. The heater will be in **HIGH** setting by default. The heater indicator will illuminate, and the LED display will show the default setting temperature 80°F.

1. The heater is **HOT** when in use. Do not let bare skin touch any hot surfaces.
2. Keep combustible materials (furniture, pillows, bedding, papers, clothes, curtains, and similar items) at least 3 feet (0.9m) from all sides and surfaces of the heater.
3. Do not use outdoors or in wet areas like bathrooms, laundry areas or where it could fall into a swimming pool or other container of water.
4. This heater is a 240V AC rated direct wired appliance. Never use extension cords or relocatable power taps.

CARE AND MAINTENANCE:

CLEANING THE HEATER:

1. Do not disassemble the heater to clean it.
2. The heater should be powered OFF and disconnected from the power at the circuit breaker before attempting to clean any portion of the heater.
3. The exterior can be cleaned with a cloth, brush and/or vacuum.
4. The louvers, fan blade and heating element are delicate and should not encounter hard items. They can be cleaned by brush, vacuum and mild compressed air.

MAINTENANCE:

This Industrial Heater contains no user serviceable parts.

In the unlikely event that your heater should need service, please contact: World and Main (Cranbury), LLC 324A Half Acre Rd. Cranbury, NJ 08512 USA 800-221-6895
www.comfortzoneproducts.com

LIMITED WARRANTY

This unit is guaranteed to the original retail purchaser against defects in quality or workmanship for a period of one year from the date of original purchase. If this unit fails because of a manufacturing defect within 30 days of purchase, return the unit, with your receipt, to the retailer. After 30 days, but within the warranty period, if the unit was purchased within the continental United States, return it, freight prepaid, to World and Main for repair or replacement. If the unit was purchased outside the continental United States, return the unit to the place of purchase. This warranty does not cover damage caused by misuse, abuse, overheating or alteration. Repairs made by anyone other than World and Main are not covered in this warranty. World and Main will not be held liable for any losses due to neglectful operation. All implied warranties, including the warranties of merchantability and of fitness of purpose, if applicable, are hereby limited in duration to the period of one year from the date of original retail purchase. Some states do not allow limitations on how long an implied warranty lasts, so the above limitations may not apply to you. Incidental or consequential damages arising from a breach of either express or implied warranties are hereby disclaimed and excluded. Some states do not allow the exclusion of limitation of incidental or consequential damages, so this limitation or exclusion may not apply to you. Upon the expiration of this warranty all such liability will terminate. No other warranties are expressed or implied.

This warranty gives you specific legal rights, and you may also have other rights which vary from state to state. No informal dispute settlement mechanisms are available. This limited warranty is given in lieu of all other warranties.

Manufactured for:
World and Main (Cranbury), LLC
324A Half Acre Rd.
Cranbury, NJ 08512 USA
800-221-6895
www.comfortzoneproducts.com

Rev. 06/06/2022

ERROR CODE TROUBLESHOOTING GUIDE:

Error Code	Possible Cause	Recommended Solution	Clearing Error Codes
E1 (Fan Blade Not Spinning) Overheat Safety Cut-Out (Resettable)	Insufficient Clearance Around Heater	Ensure Heater is Installed with Sufficient Clearance All-Around, See Figure 1 . *6 feet minimum mounting from floor *8 inches minimum from rear of heater *13 inches minimum from side of heater	To Clear E1 Code: <ol style="list-style-type: none"> 1. Power Off Heater 2. Switch Off Breaker (or Remove Fuse) 3. Allow Heater to Cool (~15 minutes) 4. Switch on Breaker and wait 1 minute 5. Power On Unit and follow Instruction Manual for Normal Operation If E1 code persists please contact manufacturer to arrange product return.
	Obstructed Vent	Remove any objects on heater or adjacent to heater vents. Do not block intake or exhaust by columns, machinery, etc. Ensure 24 inches minimum distance from heater exhaust (front) to any object	
	Fan Not Operational (Fan Blade Not Spinning)	Disconnect power! Inspect Fan Blade (Rear of Heater) for foreign or dislodged object(s) preventing rotation. Remove Rear Grille and clear interference, re-attach Rear Grille.	
		Disconnect power! Open Hinged Bottom Cover by removing screws. Inspect Circuit Card Assembly (adjacent to Supply Connection Terminal Block) for loose or detached "plug-in" electrical connector. Re-attach securely, close Bottom Cover and re-install screws.	
	Inadequate Copper Wire Gauge for Supply Connections (Fan Operates at Reduced Speed Due to Insufficient Power Input)	Consult a licensed electrician. Ensure Adequate Wire Gauge for Supply Connections	
		Excessive Distance from Power Source (Fan Operates at Reduced Speed Due to Current Loss)	
	Inadequate Current (Amp) Rating on Breaker	Consult a licensed electrician. Ensure adequately sized Current Breaker or Fuse per National & Local Electrical Codes.	
	Improper Heater Shut Down	Do not power off heater using circuit breaker. Fan motor is designed to operate for a short period of time after heating element shuts off to prevent an overheat condition.	
E2 Room Temp Sensor Open Circuit	Detached or Loose Connection at Room Temperature Sensor	Disconnect power! * Detach Fan Grille by removing screws. Locate Temp Sensor Thermocouple on Housing (below Fan Motor Bracket). Ensure wire pair & thermocouple "tip" are free of damage. Re-attach Grille by re-installing screws. * Open Bottom Cover by removing screws. Inspect Circuit Card Assembly (adjacent to Supply Connection Terminal Block) for loose or detached "plug-in" electrical connector. Re-attach connectors securely. Close Bottom Cover and re-install screws.	To Clear E2 & E3 Codes: <ol style="list-style-type: none"> 1. Power Off Heater 2. Switch Off Breaker (or Remove Fuse) 3. Switch on Breaker and wait 1 minute 4. Power On Unit and follow Instruction Manual for Normal Operation If E2 or E3 code persists please contact manufacturer to arrange product return.
E3 Room Temp Sensor Short Circuit	Moisture Entrapment in Heater	Not intended for outdoor use. Not intended for use in bathrooms, shower rooms, laundry facilities or other similar indoor locations. Disconnect power! Open Bottom Cover by removing screws. Allow unit to fully dry. Re-attach securely, close Bottom Cover and re-install screw(s).	
No Power or Low Power to Heater	Electrical Short-to Ground at Room Temperature Sensor	Disconnect power! * Detach Fan Grille by removing screws. Locate Temp Sensor Thermocouple on Housing (below Fan Motor Bracket). Ensure wire insulation is not damaged and internal conductor is not exposed. Re-attach Grille by re-installing screws.	Re-Start Unit. Follow Instruction Manual for Normal Operation.
	Supply Connections Improperly Wired	Consult a licensed electrician. Ensure Supply Connections L1, L2, L3 & Ground are secure. Torque per NEC (L3 provided on certain models).	
	Insufficient Service Loop on Supply Connections	Consult a licensed electrician. Ensure sufficient service loop in supply wires to maintain secure electrical connections to swivel heater on bracket (particularly when using rigid or semi-rigid conduit).	
	Electrical Short-to Ground	Consult a licensed electrician. Ensure Supply Connections (L1, L2 & L3) are not contacting Housing (Ground) (L3 only provided on certain models).	