

# AMANA®

## WINE COOLER Use & Care Guide

Model No.:AMAW35S2CW



### **CUSTOMER SERVICE NUMBER**

In the U.S. 1-855-666-4477

**KEEP THIS NUMBER FOR FUTURE REFERENCE!**

**Warrantor: Zhongshan Galanz Consumer  
Electric Appliances Co., Ltd, Guangdong 528428**

®/TM © 2018 Amana. All rights reserved. Manufactured under license  
by Galanz-Zhongshan Galanz Consumer Electric Appliances Co., Ltd.,  
Guangdong, China. Limited warranty provided by manufacturer.

To ensure proper use of this appliance and for your safety, please read  
the following instructions completely before operating this appliance.


## TABLE OF CONTENTS

|                                       |    |
|---------------------------------------|----|
| Wine cooler safety .....              | 1  |
| Important safety instructions.....    | 1  |
| Important grounding instructions..... | 2  |
| Installation instructions.....        | 4  |
| Operating instructions.....           | 6  |
| Parts and features.....               | 7  |
| Specifications.....                   | 8  |
| Cleaning.....                         | 9  |
| Power Failure.....                    | 10 |
| Vacation and moving care.....         | 10 |
| Reversing the door.....               | 11 |
| Troubleshooting tips.....             | 13 |
| Assistance.....                       | 15 |
| Warranty.....                         | 15 |

## WINE COOLER SAFETY

**Your safety and the safety of others are very important.**

We have provided many important safety messages in this manual and on your appliance. Always read and obey all safety messages.

 This is the safety alert symbol.  
This symbol alerts you to potential hazards that can kill or hurt you and others.  
All safety messages will follow the safety alert symbol and either the word "DANGER" or "WARNING."  
These words mean:

**⚠ DANGER** You can be killed or seriously injured if you don't immediately follow instructions.

**⚠ WARNING** You can be killed or seriously injured if you don't follow instructions.

All safety messages will tell you what the potential hazard is, tell you how to reduce the chance of injury, and tell you what can happen if the instructions are not followed.

## IMPORTANT SAFETY INSTRUCTIONS

When using electrical appliances, basic safety precautions should always be followed to reduce the risk of explosion fire, electrical shock, and/or injury to persons, including the following:  
Read all instructions before using the appliance.

1. This appliance must be grounded. Connect only to properly grounded outlet. See Important Grounding Instructions on page 2 and page 3.
2. Install or locate this wine cooler only in accordance with the provided Installation Instructions.
3. To protect against electric shock, do not place cord, plug, or wine cooler in water or other liquid.
4. The refrigerant of this product is R600a, which is flammable. Make sure not to damage the cooling system during the transportation and installation.
5. Please note that servicing shall be done by factory authorized service personnel, so as to minimize the risk of possible ignition due to incorrect parts or improper service.

SAVE THESE INSTRUCTIONS

## **⚠️ WARNING**

### **Suffocation Hazard**

**Remove door from your old wine cooler.**

**Failure to do so can result in death or brain damage.**

### **Before you throw away your old wine cooler:**

1. Take off the doors.
2. Leave the shelf racks in place so that children may not easily climb inside.

### **Refrigerants**

All refrigeration products contain refrigerants, which under federal law must be removed prior to product disposal. If you are getting rid of an old wine cooler product, check with a qualified disposal company for instructions.

### **IMPORTANT GROUNDING INSTRUCTIONS**

This appliance must be grounded due to the event of an electrical short circuit. This appliance is equipped with a cord having a grounding wire with a grounding plug. The plug must be plugged into an outlet that is properly installed and grounded.

## **⚠️ WARNING**



### **Electrical Shock Hazard**

**Plug into a grounded 3 prong outlet.**

**Do not remove ground prong.**

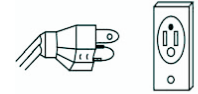
**Do not use an adapter.**

**Do not use an extension cord.**

**Failure to follow these instructions can result in death, fire, or electrical shock.**

1. Consult a qualified electrician or serviceman if the grounding instructions are not completely understood or if doubt exists as to whether the appliance is properly grounded.

Three-pronged  
(grounding) plug



Properly polarized and  
grounded outlet

### **LOCATION REQUIREMENTS**

#### **NOTES:**

- It is recommended that you do not install the wine cooler near an oven, radiator, or other heat source.
- Do not install in a location where the temperature will fall below 55°F (13°C). For best performance, do not install the wine cooler behind a cabinet door.

## **⚠️ WARNING**



### **Explosion Hazard**

**Keep flammable materials and vapors, such as gasoline, away from wine cooler.**

**Failure to do so can result in death, explosion, or fire.**

### **INSTALLATION INSTRUCTIONS**

## **⚠️ WARNING**

### **Excessive Weight Hazard**

**Use two or more people to move and install wine cooler.**

**Failure to do so can result in back or other injury.**

1. Before using the wine cooler for the first time, remove all of the packing materials, including the foam base and adhesive tape holding accessories in place.
2. The wine cooler should be located on a firm, flat surface that is strong enough to support the wine cooler when it is fully loaded.
3. Leave a minimum of 4" between each side of the appliance and the wall. The top and back of the appliance should have a minimum of 4" clearance. This allows for proper air circulation. This appliance is intended to be free-standing and should not be built-in or placed in a recessed area.
4. The wine cooler legs must be adjusted during installation in order to function properly. The leveling legs on the front corners can be adjusted by turning left to raise the appliance, and right to lower it. Be sure to have the appliance slope slightly backward to ensure that the door closes tightly.

#### WINE STORAGE

1. The maximum capacity of AMAW35S2CW is 35 wine bottles (750ml).
2. To achieve the maximum capacity, place 9 bottles in the first rack as shown below in Figure A, place 5 bottles in the next 4 racks as shown below in Figure B.
3. Next, place 3 bottles sideways in the bottom 2 racks as shown below in Figure C.
4. Store wine in sealed bottles only.

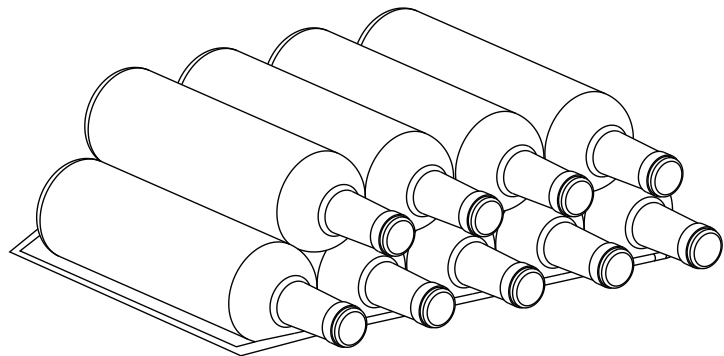


Fig. A

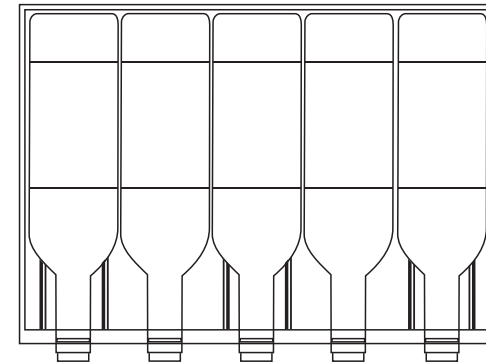


Fig. B

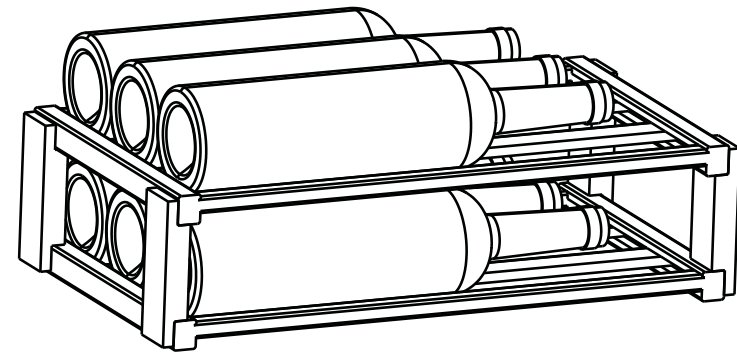
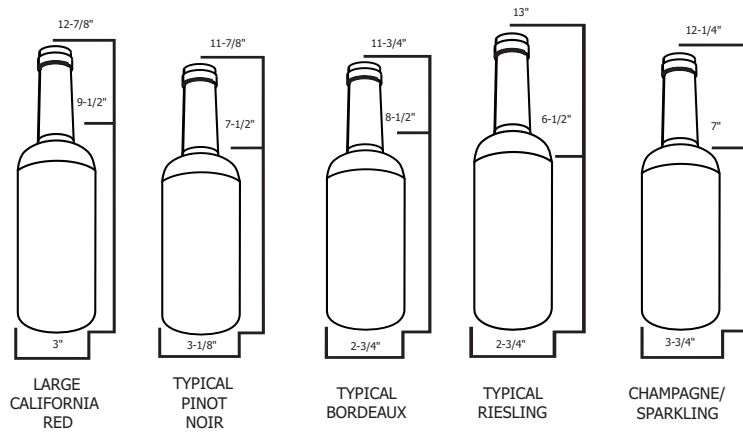


Fig. C

Bottle Sizes and Storage Capacity



Please see the above image which shows you five popular dimensions of wine bottles. The maximum capacity is based on "Typical Bordeaux" bottle dimension. If storing larger bottles, the capacity will be reduced.

**OPERATING INSTRUCTIONS**

1. Allow wine cooler to stand upright for 4 hours before using.

**⚠ WARNING**

**Electrical Shock Hazard**

Plug into a grounded 3 prong outlet.  
 Do not remove ground prong.  
 Do not use an adapter.  
 Do not use an extension cord.  
 Failure to follow these instructions can result in death, fire, or electrical shock.

2. Plug into a grounded outlet (see Important Grounding Instructions page 2).

3. The wine cooler can be operated by adjusting the temperature control buttons (up and down arrows) to various settings. Press this pad once (▲) and the temperature will increase 1 °F. Press this pad once (▼) and the temperature will decrease 1 °F. The new desired temperature will flash on the display for a few seconds and switch back to the actual temperature which will gradually change until the set point is reached.

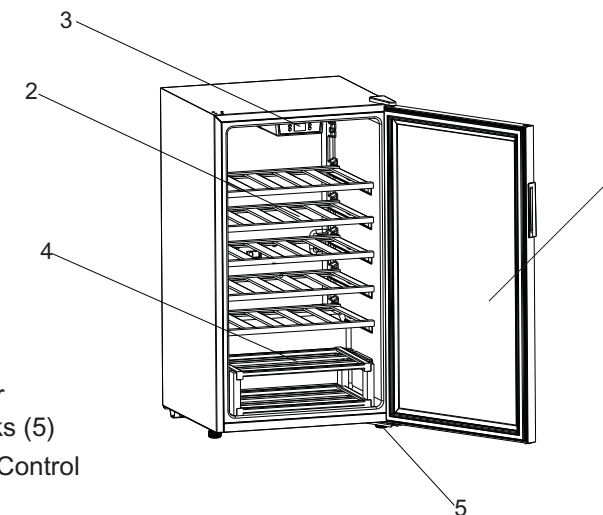
For red wine the suggested temperature range is 53 °F-61 °F  
 For white wine the suggested temperature range is 43 °F-50 °F



4. Reducing the frequency of door opening can lower power consumption.

**PARTS AND FEATURES**

AMAW35S2CW



1. Glass Door
2. Shelf Racks (5)
3. Electronic Control
4. Base Rack
5. Leveling Leg

## SPECIFICATIONS

|                                |              |       |
|--------------------------------|--------------|-------|
| Model                          | AMAW35S2CW   |       |
| Climate class                  | N            |       |
| Electric shock protection type | I            |       |
| Capacity (cu.ft)               | 3.6          |       |
| Voltage (V)                    | 120          |       |
| Frequency (Hz)                 | 60           |       |
| Current (A)                    | 0.95         |       |
| Voice [dB(A)]                  | ≤42          |       |
| Energy Consumption (kw.h/24h)  | 0.82         |       |
| Refrigerant                    | R600a/1.06oz |       |
| Net weight (lbs)               | 63.93        |       |
| Interior temperature ( F)      | 39~64        |       |
| Dimension (in inches )         | Width        | 18.89 |
|                                | Depth        | 18.70 |
|                                | Height       | 33.46 |

## CLEANING

### **WARNING**



#### **Explosion Hazard**

**Use nonflammable cleaner.**  
Failure to do so can result in death, explosion, or fire.

#### **Interior**

Clean the interior of the appliance with a mixture of warm water and baking soda, using about 1 – 2 tablespoons per quart of water. Use a sponge or soft cloth and be sure to wring excess moisture out before cleaning around the controls.

Rinse thoroughly with warm water and dry with a clean, soft cloth.

#### **Exterior**

The exterior surface can be cleaned using warm water and a mild detergent.

Rinse thoroughly and dry with a clean, soft cloth.

#### **Door Gasket**

The door gasket must be kept clean to ensure a proper seal. Be sure to clean the gasket frequently, using the method described above.

## POWER FAILURE

When a power failure occurs, the wine cooler can normally store wine for several hours. Do not put additional wine into the appliance during a power failure, and do not open door. Disconnect the plug from the outlet, and reconnect when the power has been restored.

## VACATION AND MOVING CARE

### Vacations

If you choose to turn the wine cooler off before you leave, follow these steps.

1. Remove all open wine bottles from the wine cooler.
2. Unplug the wine cooler.
3. Clean the wine cooler. See "CLEANING."

### Moving

## ⚠ WARNING

### Excessive Weight Hazard

Use two or more people to move and install wine cooler.

Failure to do so can result in back or other injury.

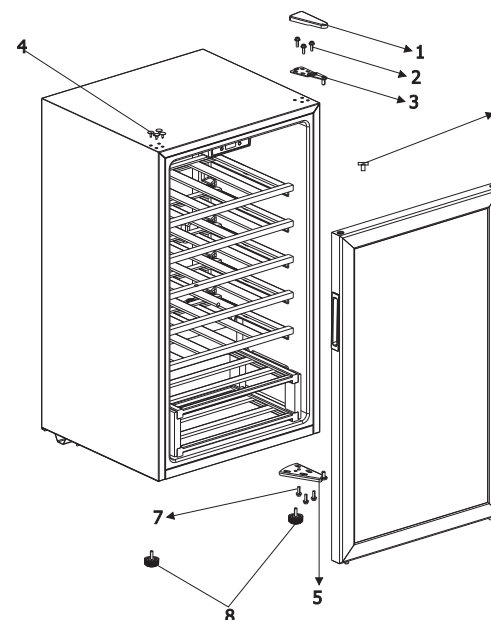
When you are moving your wine cooler to a new home, follow these steps to prepare it for the move.

1. Remove all wine bottles from the wine cooler.
2. Unplug the wine cooler.
3. Clean, wipe and dry it thoroughly. See "CLEANING."
4. Take out all removable parts, wrap them well, and tape them together so they do not shift and rattle during the move.
5. Tape the doors shut and tape the power cord to the wine cooler.

When you get to your new home, put everything back and refer to the "Installation Instructions" section for preparation instructions.

## REVERSING THE DOOR

AMAW35S2CW




1. Top hinge cover
2. Top hinge screw
3. Top hinge
4. Cabinet plug
5. Bottom hinge
6. Door handle plug
7. Bottom hinge screw
8. Leveling legs

Do not tilt the appliance over 45° when revising the door as possible damage to the sealed system may occur.

1. Remove top hinge cover and 3 top hinge screws which are below it. Then remove top hinge.
2. Remove 1 cabinet plug and 1 door handle plug.
3. Remove the door.
4. Remove right and left leveling legs.
5. Remove the bottom hinge and 3 bottom hinge screws.
6. Install the bottom hinge on the other side of the leveling legs with 3 bottom hinge screws.
7. Install right and left leveling legs. There are two holes below the wine cooler to fit the two leveling legs.
8. Install the door.
9. Install the top hinge on the other side with 3 top hinge screws.
10. Install top cover above the top hinge and install 1 cabinet plug and 1 door handle plug on the other side.
11. Adjust the leveling legs.

## **TROUBLESHOOTING TIPS**

**⚠ WARNING**



**Electrical Shock Hazard**

Plug into a grounded 3 prong outlet.  
 Do not remove ground prong.  
 Do not use an adapter.  
 Do not use an extension cord.  
 Failure to follow these instructions can result in death, fire, or electrical shock.

| <b>Problem</b>   | <b>Possible Cause</b>                   | <b>What to do</b>  |
|--|---|--|
| wine cooler does not operate                               | · Not plugged in tightly                | · Unplug, wait 10 seconds, then plug in again                        |
|  | · Tripped circuit breaker or blown fuse | · Replace fuse or reset circuit breaker                              |
|  | · Problem with electrical outlet        | · Consult with a professional electrician                            |
| wine cooler seems too warm/wine bottle do not seem to cool | · Temperature setting may be too warm   | · Lower the temperature setting                                      |
|  | · Door opened too frequently            | · This is normal   |
|  | · Door not closed tightly               | · Check to make sure nothing inside is causing the door to not close |
|  | · Warm weather                          | · This is normal   |



| Problem   | Possible Cause  | What to do  |
|---|---|---|
| Compressor runs too long, or cycles on and off frequently | • Hot weather   | • This is normal  |
|   | • Door opened too frequently                          | • This is normal  |
|   | • Door not closed tightly                             | • Check to be sure nothing inside the wine cooler is preventing the door from closing |
|   | • Temperature control set at coldest setting          | • Adjust temperature to a warmer setting  |
|   | • Large amounts of wine bottles placed in wine cooler | • This is normal  |
| Moisture forms on the outside of the appliance            | • This is normal during periods of high humidity      | • Wipe the surface dry using a soft cloth   |
|   | • The door is slightly open                           | • Close the door tightly  |
| Moisture forms on the inside of the appliance             | • This is normal during periods of high humidity      | • This is normal  |
|   | • Door is opened too long or too frequently           | • Do not open the door too long or too frequently                                     |
| Vibration noise   | • wine cooler is on an uneven surface                 | • Adjust the leveling legs (see Installation instructions)                            |
|   | • wine cooler is touching a wall                      | • Move the wine cooler away from the wall   |

The following are normal conditions that can be encountered during the operation of this appliance:

- The flow of refrigerant through the coils can cause a noise.
- The sides of the appliance may become warm as a result of the cooling function.

## Assistance

Before calling for assistance or service, please check "Troubleshooting." It may save you the cost of a service call. If you still need help, follow the instructions below. When calling, please know the purchase date and the complete model and serial number of your appliance. This information will help us to better respond to your request.

## If you need replacement parts

If you need to order replacement parts, we recommend that you only use factory specified replacement parts. Factory specified replacement parts will fit right and work right because they are made with the same precision used to build every new wine cooler.

To locate factory specified replacement parts in your area, call us or your nearest designated service center.

### In the U.S.A.

toll free: 1-855-666-4477.

## Limited Warranty

This warranty applies to products purchased and used in the U.S. This is the only express warranty for this product and is in lieu of any other warranty.

This product is warranted to be free from defects in material and workmanship for a period of one (1) year from the date of original purchase, except as noted below. During this period, we will repair or replace this product at our option.

This warranty extends only to the original consumer purchaser and does not cover a defect resulting from abuse, misuse, neglect including failure to clean product regularly in accordance with manufacturer's instructions, use for commercial purposes, or any use not in conformity with the printed directions.

This warranty is provided by Galanz-Zhongshan Galanz Consumer Electric Appliances Co.,Ltd.

We exclude all claims for special, incidental, and consequential damages caused by breach of express or implied warranty. All liability is limited to the amount of the purchase price. **Every implied warranty, including any statutory warranty of merchantability or fitness for a particular purpose, is disclaimed except to the extent prohibited by law, in which case such warranty is limited to the duration of this written warranty.** This warranty gives you specific legal rights. You may have other legal rights that vary depending on where you live. Some states do not allow limitations on implied warranties or special, incidental, or consequential damages, so the foregoing limitations may not apply to you.

If you have a claim under this warranty, please call our CUSTOMER SERVICE NUMBER. For faster service please have model number and serial number ready for operator to assist you.