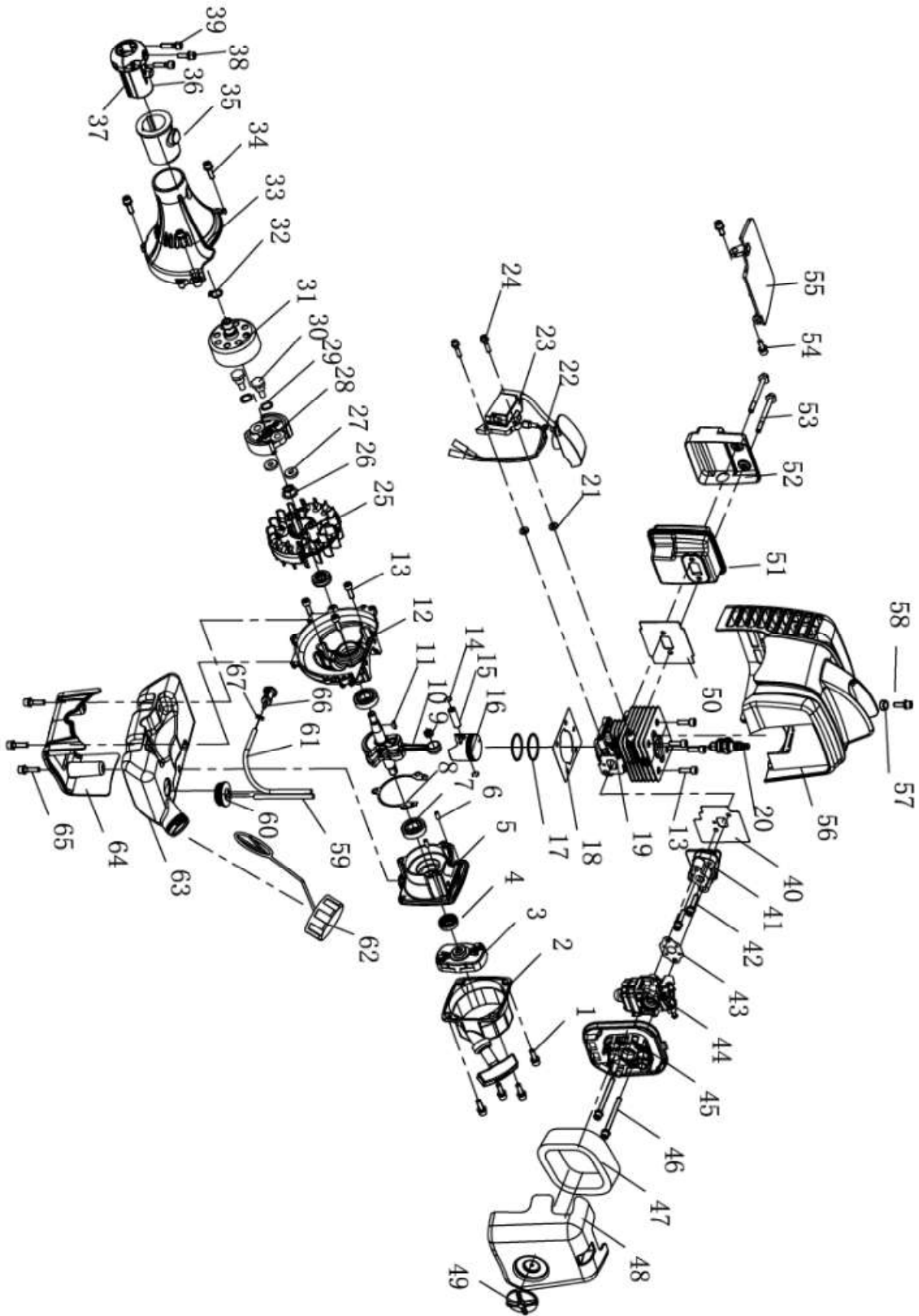


EXPLODED VIEW AND PARTS LIST

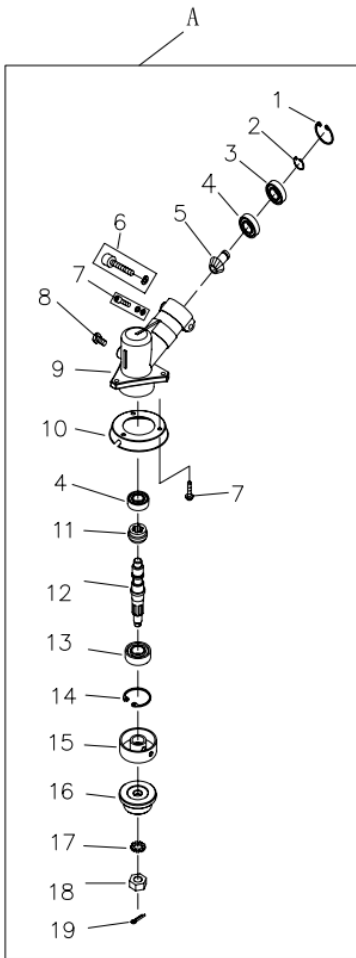
Engine exploded view



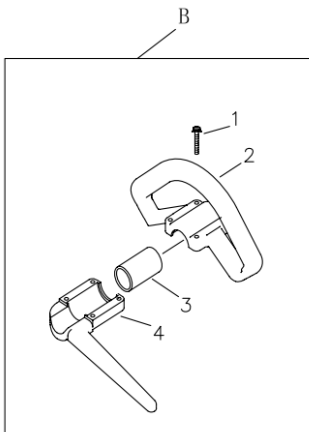
Engine parts list

Item	Stock #	Description	Qty	Item	Stock #	Description	Qty
1	GB70.1+GB93+GB97	Screw M5×16	4	35	CG305F-HS.1-3	Rubber	1
2	P23.10A	Starter	1	36	CG305F-HS.1-1	Holder A	1
3	P23.9A	Guide Cover assy	1	37	CG305F-HS.1-2	Holder B	1
4	1E36F.2	Oil seal	2	38	GB70.1+GB93+GB97	Screw M5×16	1
5	P23.11-2	Crank case R	1	39	GB70.1+GB93+GB97	Screw M5×25	2
6	GB/T119.1	Pin 4×h8×8	2	40	P23-7	Gasket insulator	1
7	GB/T276	Bearing 6001/P53	2	41	P23.3	Insulator	1
8	P23.11-3	Gasket crank case	1	42	GB70.1+GB93+GB97	Screw M5×25	2
9	KBK081211.5	Bearing	1	43	1E36F-2A-1	Gasket carburetor	1
10	P23.6A.1	Crank shaft assy	1	44	1E34F-2E.1A	Carburetor	1
11	1E40FP-3Z.3-1	Key	1	45	1E34F.1.1	Cleaner base assy	1
12	P23.11-1	Crank case F	1	46	GB70.1+GB97.1	Screw M5×60	2
13	GB/T70.1	Screw M5×16	7	47	1E34F.1-1	Air filter element	1
14	1E34F.6-2	Ring snap	2	48	HP23.1-1	Cover cleaner	1
15	1E34F.6-3	Piston pin	1	49	1E34FG.1.1	Knob cover	1
16	P26.1A-1	Piston	1	50	1E34F-3	Gasket muffler	1
17	1E34F.6-5	Ring piston	2	51	1E34F-2E.2	Muffler	1
18	P23-2	Gasket cylinder	1	52	HP23-5A	Cover	1
19	P26-1	Cylinder	1	53	HP23-8	Screw M5×25-10.9	2
20	CMR6A	Spark plug	1	54	GB70.1+GB93+GB97	Screw M5×14	2
21	PO40-5	Spacer Ig coil	2	55	HP23-2	Clapboard	1
22	P23.5.2	Wire lead assy	1	56	HP23.3	Top cover	1
23	HP23.2.1	IG coil	1	57	1E33F-4	Spacer Ig coil	1
24	GB70.1+GB93+GB97	Screw M4×20	2	58	GB70.1+GB93+GB97	Screw M5×18	1
25	P23.5.1.1	Rotor magnet	1	59	EB-415.4.2-4	Fuel pipe 2.5×1.25×100	1
26	GB/T6177	Nut M8	1	60	EB415.4.2-2	Plug	1
27	1E34F-11	Wave washer	2	61	CG420.1.3.2-2	Fuel pipe 3×1×165	1
28	1E34F.10D	Clutch assy	1	62	1E32FL.6.2B	Tank cap assy	1
29	1E34F-13	Washer	2	63	HP23.6.1	Fuel tank	1
30	1E34F-12	Clutch bolt	2	64	HP23.4	Stand	1
31	CG260A.1A.1	Clutch drum assy	1	65	GB70.1+GB93+GB97	Screw M5×20	3
32	GB/T894.1	Circlips for shaft-type A15	1	66	P40.12.2-3A	Filter	1
33	HP23.5.1	Fan cover	1	67	P23.12-1	Snap rings	1
34	GB70.1+GB93+GB97	Screw M5×18	3				

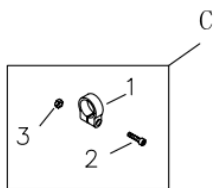
Brush cutter &String trimmer exploded view



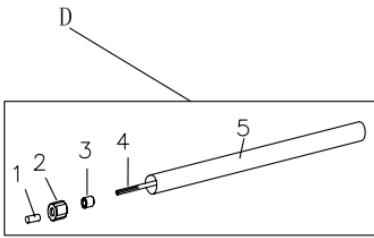
Item	Stock #	Description	Qty
A	PS4532-A	Gear Case Ass'y	1
1	PS4532-A-001	Stop Ring 26	1
2	PS4532-A-002	Stop Ring 10	1
3	PS4532-A-003	Bearing 6000-2RS/P6	1
4	PS4532-A-004	Bearing 6000/P6	2
5	PS4532-A-005	Pinion	1
6	PS4532-A-006	Screw M5×20	1
7	PS4532-A-007	Screw M5×12	4
8	PS4532-A-008	Bolt M5×20	1
9	PS4532-A-009	Gear Case	1
10	PS4532-A-010	Safety Guard	1
11	PS4532-A-011	Gear	1
12	PS4532-A-012	Gear Shaft	1
13	PS4532-A-013	Bearing 6002-2RS/P6	1
14	PS4532-A-014	Stop Ring 32	1
15	PS4532-A-015	Holder A	1
16	PS4532-A-016	Holder B	1
17	PS4532-A-017	Washer 10	1
18	PS4532-A-018	Left Nut	1
19	PS4532-A-019	Pin 2×16	1



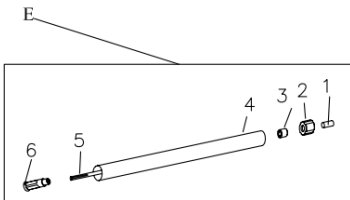
Item	Stock #	Description	Qty
B	PS4532-B	Handle	1
1	PS4532-B-001	Screw M5×35	4
2	PS4532-B-002	Handle	1
3	PS4532-B-003	Rubber Cover	1
4	PS4532-B-004	Handle Cover	1



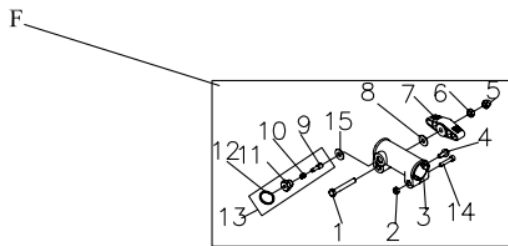
Item	Stock #	Description	Qty
C	PS4532-C	Clamp	2
1	PS4532-C-001	Clamp	1
2	PS4532-C-002	Screw M5×35	1
3	PS4532-C-003	Nut M5	1



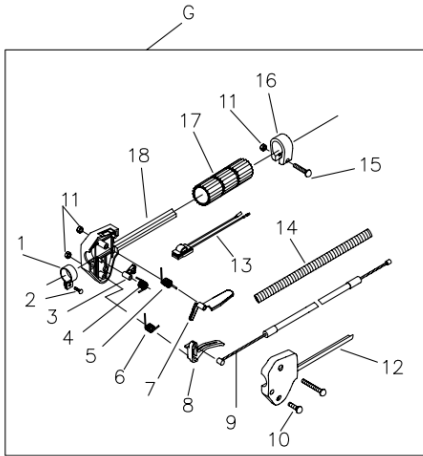
Item	Stock #	Description	Qty
D	PS4532-D	Fore-Pipe Comp.	1
1	PS4532-D-001	Hose Sleeve	1
2	PS4532-D-002	Rubber Cover	3
3	PS4532-D-003	Oil-bearing	3
4	PS4532-D-004	Drive Shaft	1
5	PS4532-D-005	Pipe	1



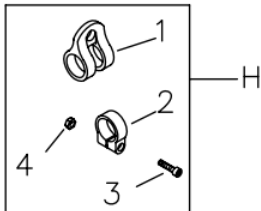
Item	Stock #	Description	Qty
E	PS4532-E	Rear-Pipe Comp.	1
1	PS4532-E-001	Ribber Pipe (5mm)	1
2	PS4532-E-002	Rubber Cover	3
3	PS4532-E-003	Oil-bearing	3
4	PS4532-E-004	Pipe	1
5	PS4532-E-005	Drive Shaft	1
6	PS4532-E-006	Adapter Comp.	1



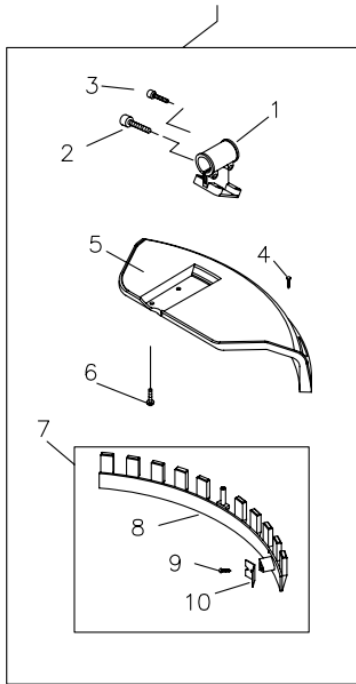
Item	Stock #	Description	Qty	Item	Stock #	Description	Qty
F	PS4532-F	Joining Ass'y	1	8	PS4532-F-008	Washer 6	1
1	PS4532-F-001	Bolt M6×55	1	9	PS4532-F-009	Bin	1
2	PS4532-F-002	Nut M5	1	10	PS4532-F-010	Spring	1
3	PS4532-F-003	Joining	1	11	PS4532-F-011	Cover	1
4	PS4532-F-004	Bolt M5×12	1	12	PS4532-F-012	Loop	1
5	PS4532-F-005	Nut M6	1	13	PS4532-F-013	Bin comp.	1
6	PS4532-F-006	Screw M6	1	14	PS4532-F-014	Screw M5×25	1
7	PS4532-F-007	Handle	1	15	PS4532-F-015	Washer	1



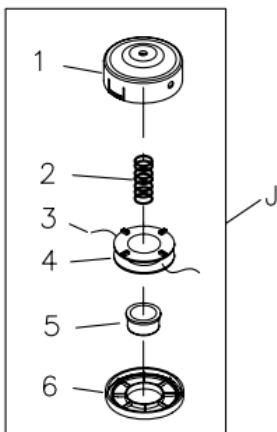
Item	Stock #	Description	Qty
G	PS4532-G	Level Ass'y	1
1	PS4532-G-001	Clamp	1
2	PS4532-G-002	Screw M5×16	1
3	PS4532-G-003	Tine	1
4	PS4532-G-004	Spring	1
5	PS4532-G-005	Spring	1
6	PS4532-G-006	Spring	1
7	PS4532-G-007	Safety Lever	1
8	PS4532-G-008	Throttle Lever	1
9	PS4532-G-009	Cable Comp.	1
10	PS4532-G-010	Screw M5×25	2
11	PS4532-G-011	Nut M5	3
12	PS4532-G-012	Box, left	1
13	PS4532-G-013	Stop Switch	1
14	PS4532-G-014	Tube (12.5×170)	1
15	PS4532-G-015	Screw M5×30	1
16	PS4532-G-016	Clamp	1
17	PS4532-G-017	Rubber Cover	1
18	PS4532-G-018	Box, Right	1



Item	Stock #	Description	Qty
H	PS4532-H	Holder Ass'y	1
1	PS4532-H-001	Harness Clamp	1
2	PS4532-H-002	Clamp	1
3	PS4532-H-003	Screw M5×20	1
4	PS4532-H-004	Nut M5	1



Item	Stock #	Description	Qty
I	PS4532-I	Guard Ass'y	1
1	PS4532-I-001	Bracket	1
2	PS4532-I-002	Screw M5×30	2
3	PS4532-I-003	Screw M5×12	1
4	PS4532-I-004	Screw ST4.2×16	1
5	PS4532-I-005	Safety Guard	1
6	PS4532-I-006	Screw M5×16	4
7	PS4532-I-007	Guard Ass'y	1
8	PS4532-I-008	Guard	1
9	PS4532-I-009	Screw ST4.2×16	2
10	PS4532-I-010	Blade	1



Item	Stock #	Description	Qty
J	PS4532-J	Nylon Cutter Head	1
1	PS4532-J-001	Case	1
2	PS4532-J-002	Spring	1
3	PS4532-J-003	Cord $\phi 2.5 \times 2100$	2
4	PS4532-J-004	Cord Holder	1
5	PS4532-J-005	Cover	1
6	PS4532-J-006	Cover	1



Item	Stock #	Description	Qty
K	PS4532-K	Harness Ass'y	1
L	PS4532-L	Blade	1
M	PS4532-M	Blade Guard	1