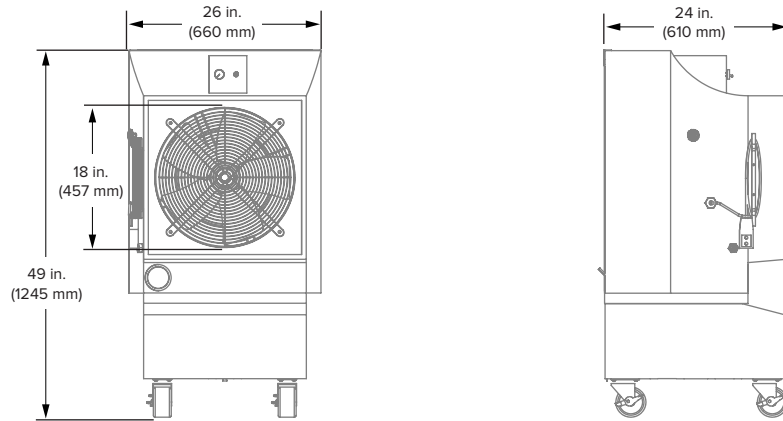


COLD FRONT 300

DELIVER COOLER CONDITIONS AT A MOMENT'S NOTICE



Technical Specifications

Model	Ordering Information	Weight	Water Capacity	Inlet Water Supply Pressure	Input power and required breaker	Environment ¹	Amperage ²	Airflow and Coverage	Sound Level ³	Operating Temperature
Cold Front 300	F-EV1-1801	100 lb (45.4 kg)	16 gal (60.6 L)	120 PSI maximum	120 VAC, 60 Hz, 1Φ, 15 A	Well-ventilated indoor or outdoor space	4.1 A	700–2800 cfm 1200 sq ft	63 dBA	0 to 104 °F (-18 to 40 °C)

Construction

Housing	Motor	Power Supply	Water Supply	Cooling Media	Maintenance
UV-resistant roto-molded polyethylene housing Four locking swivel casters	Variable speed high-efficiency, totally enclosed 0.5 hp (0.37 kW)	Ground fault protected power cord plugs into standard electrical outlet Cord wrap for easy storage	Accepts standard garden hose Built-in reservoir for extended use Water level regulated by float valve Low-water shutoff for pump longevity	Made from 8 in. (203 mm) thick cross-corrugated, angle-fluted formulated cellulose Treated with thermosetting resin for strength and prevention of algae	Accessible reservoir cap for convenient water treatment Drain plug and flush valve for water removal



¹ Not suitable for salt air environments.

² Maximum amperage includes both the fan and pump maximum amperage ratings.

³ Fans are sound tested in a laboratory environment. Actual results in field conditions may vary due to sound reflecting surfaces and environmental conditions.

Lead times may vary. See full warranty for coverage information.



USA
BIGASSFANS.COM
877-244-3267

CANADA
BIGASSFANS.COM
844-924-4277

AUSTRALIA
BIGASSFANS.COM/AU
1300 244 277

SINGAPORE
BIGASSFANS.COM/SG
65 6709 8500

MALAYSIA
BIGASSFANS.COM/SG
603 5565 0888