



# OPERATOR'S MANUAL

## MANUEL D'UTILISATION

## MANUAL DEL OPERADOR

### 40V STICK EDGER

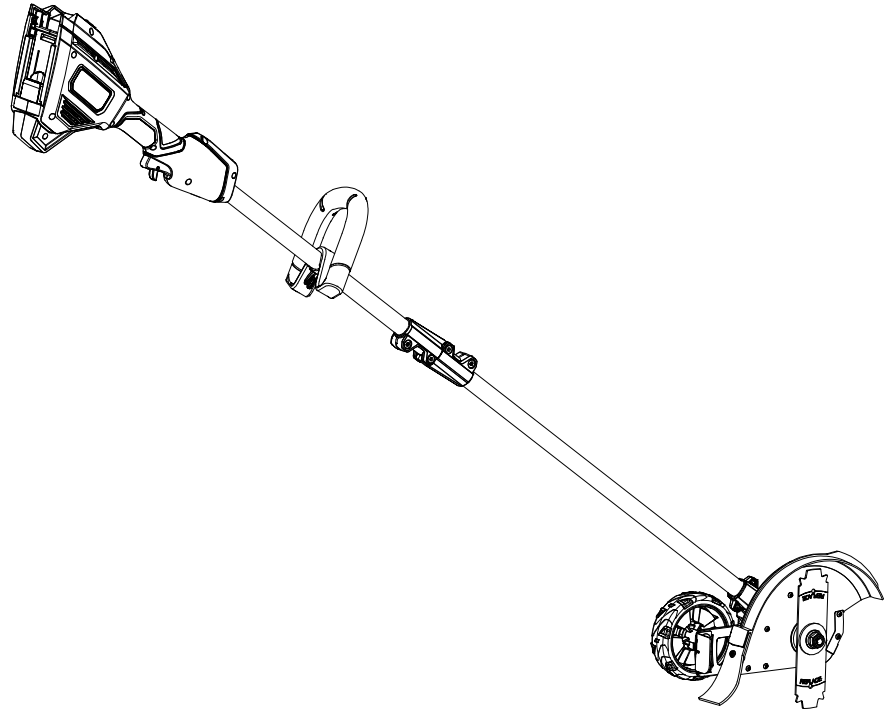
### COUPE-BORDURES

### BÂTON DE 40 V

### BARRA RECORTADORA

### DE BORDES DE 40 V

### RY40708



#### TABLE OF CONTENTS

- Important Safety Instructions..... 2-3
- Specific Safety Rules ..... 4
- Symbols ..... 4-5
- Features ..... 6
- Assembly ..... 6-7
- Operation ..... 7-8
- Maintenance ..... 9
- Troubleshooting ..... 10
- Parts Ordering/Service..... Back Page

#### TABLE DES MATIÈRES

- Instructions importantes concernant la sécurité ..... 2-3
- Règles de sécurité particulières ..... 4
- Symboles ..... 4-5
- Caractéristiques ..... 6
- Assemblage ..... 6-7
- Utilisation ..... 7-8
- Entretien ..... 9
- Dépannage..... 10
- Commande de pièces/ réparation..... Page arrière

#### ÍNDICE DE CONTENIDO

- Instrucciones de seguridad importantes ..... 2-3
- Reglas de seguridad específicas ..... 4
- Símbolos ..... 4-5
- Características ..... 6
- Armado ..... 6-7
- Funcionamiento ..... 7-8
- Mantenimiento ..... 9
- Solución de problemas ..... 10
- Pedidos de piezas/ servicio..... Pág. posterior

**⚠ WARNING:** To reduce the risk of injury, the user must read and understand the operator's manual before using this product.

**⚠ AVERTISSEMENT :** Pour réduire les risques de blessures, l'utilisateur doit lire et veiller à bien comprendre le manuel d'utilisation avant d'employer ce produit.

**⚠ ADVERTENCIA:** Para reducir el riesgo de lesiones, el usuario debe leer y comprender el manual del operador antes de usar este producto.

**SAVE THIS MANUAL FOR FUTURE REFERENCE**

**CONSERVER CE MANUEL POUR FUTURE RÉFÉRENCE**

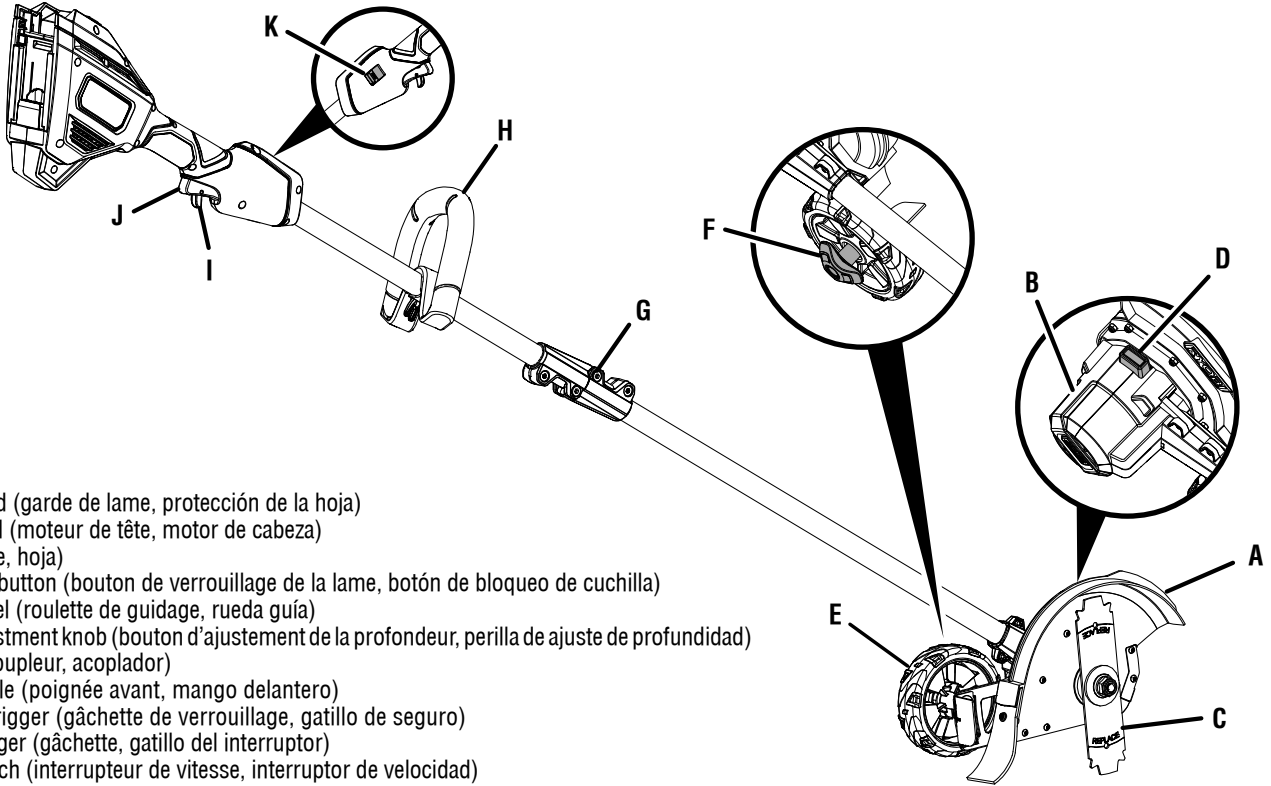
**GUARDE ESTE MANUAL PARA FUTURAS CONSULTAS**

**See this fold-out section for all the figures referenced in the operator's manual.**

**Voir que cette section d'encart pour toutes les figures a adressé dans le manuel d'utilisation.**

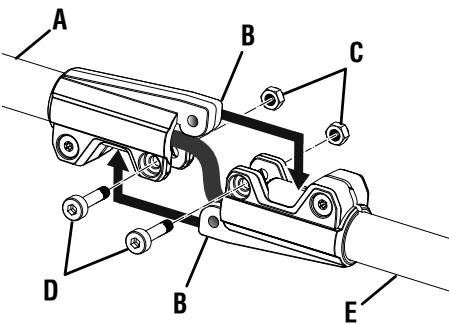
**Vea esta sección de la página desplegable para todas las figuras mencionó en el manual del operador.**

**Fig. 1**



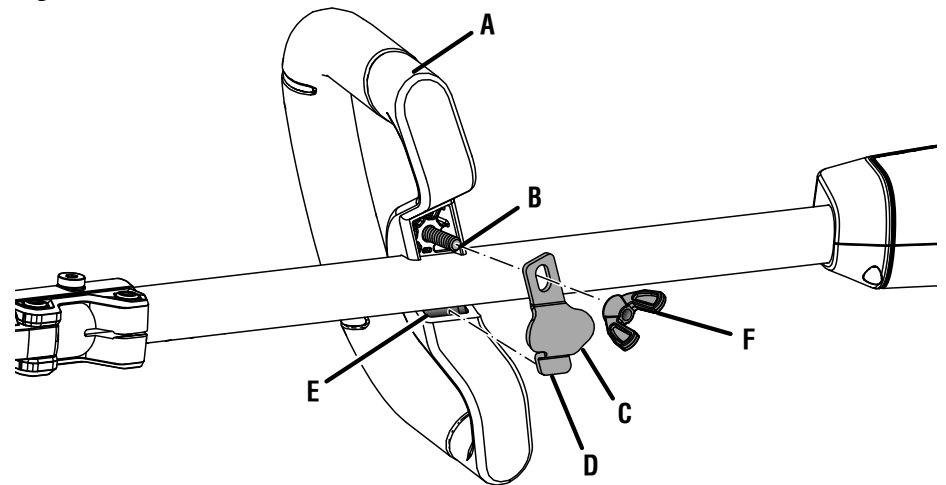
- A - Blade guard (garde de lame, protección de la hoja)
- B - Motor head (moteur de tête, motor de cabeza)
- C - Blade (lame, hoja)
- D - Blade lock button (bouton de verrouillage de la lame, botón de bloqueo de cuchilla)
- E - Guide wheel (roulette de guidage, rueda guía)
- F - Depth adjustment knob (bouton d'ajustement de la profondeur, perilla de ajuste de profundidad)
- G - Coupler (coupleur, acoplador)
- H - Front handle (poignée avant, mango delantero)
- I - Lock-out trigger (gâchette de verrouillage, gatillo de seguro)
- J - Switch trigger (gâchette, gatillo del interruptor)
- K - Speed switch (interrupteur de vitesse, interruptor de velocidad)

**Fig. 2**



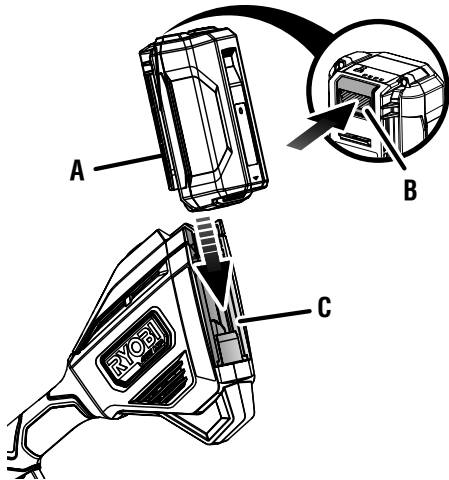
- A - Upper shaft (arbre supérieur, eje superior)
- B - Connectors (connecteurs, conectors)
- C - Nuts (écrous, tuercas)
- D - Bolts (boulon, perno)
- E - Lower shaft (arbre inférieur, eje inferior)

**Fig. 3**



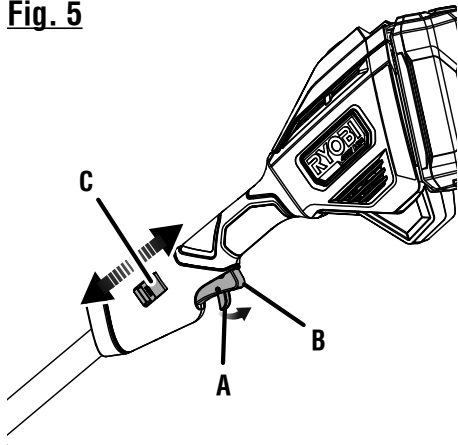
- A - Front handle (poignée avant, mango delantero)
- B - Bolt (boulon, perno)
- C - Bracket (support, soporte)
- D - Tab (languette, lengüeta)
- E - Slot (fente, ranura)
- F - Wing nut (écrou à oreilles, tuerca de mariposa)

**Fig. 4**



- A - Battery pack (bloc-piles, paquete de baterías)
- B - Latch (loquet, pestillo)
- C - Battery port (logement de batteries, receptáculo de las pilas)

**Fig. 5**



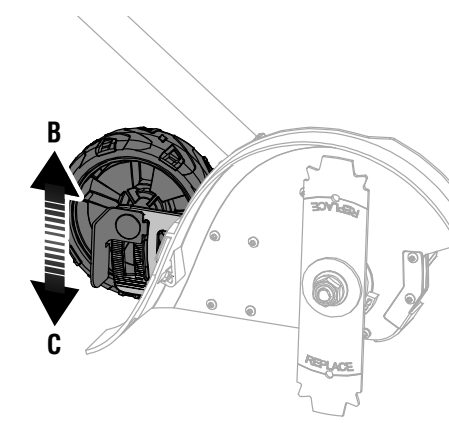
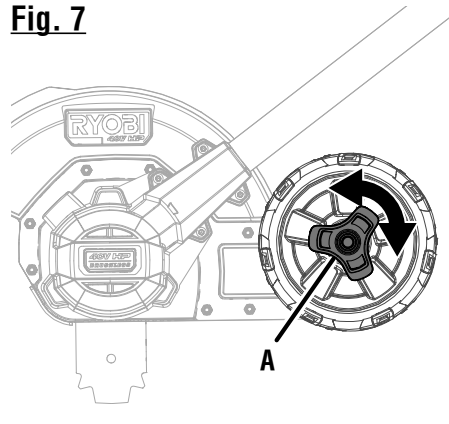
- A - Lock-out trigger (gâchette de verrouillage, gatillo de seguro)
- B - Switch trigger (gâchette, gatillo del interruptor)
- C - Speed switch (interrupteur de vitesse, interruptor de velocidad)

**Fig. 6**

**PROPER EDGING OPERATING POSITION  
POSITION D'UTILISATION CORRECTE  
POUR COUPE-BORDURES  
POSICIÓN CORRECTA PARA EL MANEJO  
DE LA CORTAR BORDES**

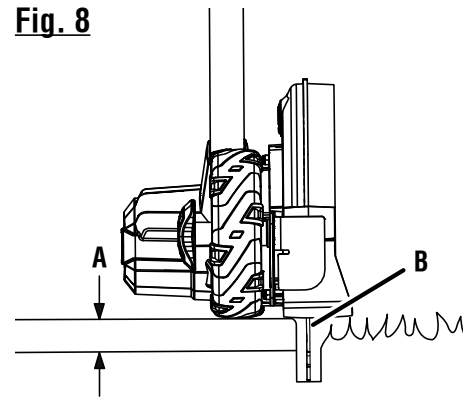


**Fig. 7**



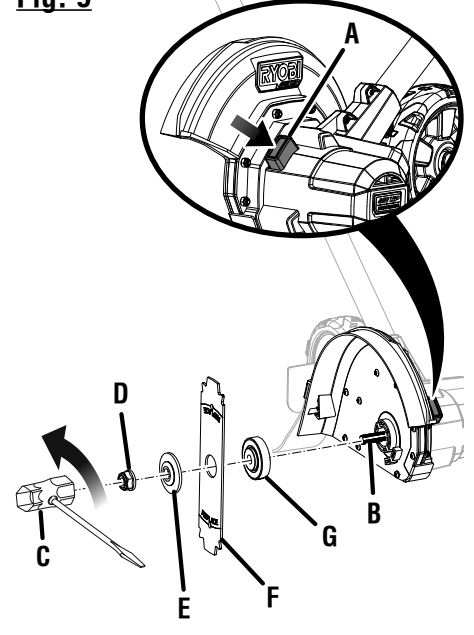
- A - Depth adjustment knob (bouton d'ajustement de la profondeur, perilla de ajuste de profundidad)
- B - To increase depth (pour augmenter la profondeur, para aumentar la profundidad)
- C - To decrease depth (pour réduire la profondeur, para disminuir la profundidad)

**Fig. 8**



- A - Blade depth (profondeur de coupe, profundidad de la hoja)
- B - Blade (lame, hoja)

**Fig. 9**



- A - Blade lock button (bouton de verrouillage de la lame, botón de bloqueo de cuchilla)
- B - Motor shaft (axe du motor, eje del motor)
- C - Blade wrench (clé pour lame, llave de hoja)
- D - Blade nut (écrou de lame, tuerca de la hoja)
- E - Cupped washer (rondelle bombée, arandela cóncava)
- F - Blade (lame, hoja)
- G - Flange Washer (rondelle à épaulement, faldilla)

# IMPORTANT SAFETY INSTRUCTIONS

## **WARNING:**

When using electric gardening appliances, basic safety precautions should always be followed to reduce the risk of fire, electric shock and personal injury.

## **READ ALL INSTRUCTIONS**

- For safe operation, read and understand all instructions before using this product. Follow all safety instructions. Failure to follow all safety instructions listed below, can result in serious personal injury.
- Do not allow children or untrained individuals to use this unit.
- Check the work area before each use. Remove all objects such as rocks, broken glass, nails, wire, or string which can be thrown or become entangled in the machine.
- Always wear eye protection with side shields marked to comply with ANSI Z87.1. Following this rule will reduce the risk of serious personal injury.
- Use Safety Glasses – Always use face or dust mask if operation is dusty.
- Protect your lungs. Wear a face or dust mask if the operation is dusty. Following this rule will reduce the risk of serious personal injury.
- Dress Properly – Use rubber gloves and substantial footwear is recommended when working outdoors. Wear heavy, long pants, long sleeves, boots, and gloves. Do not wear loose fitting clothing or jewelry or anything that can be caught in moving parts.
- Secure long hair above shoulder level to prevent entanglement in moving parts.
- Keep children away – Keep all bystanders, children, and pets at least 50 ft. away.
- Stay alert – Watch what you are doing. Use common sense. Do not operate this unit when you are tired, ill, upset, or under the influence of alcohol, drugs, or medication.
- Do not operate in poor lighting.
- Keep all parts of your body away from any moving part.
- Do not operate power tools in explosive atmospheres, such as in the presence of flammable liquids, gases, or dust. Power tools create sparks which may ignite the dust or fumes.
- Do not, under any circumstance, use any attachment or accessory on this product, which was not provided with the product, or identified as appropriate for use with this product in the operator's manual.
- Avoid Dangerous Environments – Don't expose appliance to rain or wet conditions. Water entering an appliance will increase the risk of electric shock.
- Use Right Appliance – Do not use appliance for any job except that for which it is intended.
- Don't Force Appliance – It will do the job better and with less likelihood of a risk of injury at the rate for which it was designed.
- Do not operate the equipment while barefoot or when wearing sandals or similar lightweight footwear. Wear protective footwear that will protect your feet and improve your footing on slippery surfaces.
- Do not overreach – Keep firm footing and balance. Overreaching can result in loss of balance.
- Avoid accidental starting – Be sure switch trigger is in the locked or off position before inserting battery pack. Carrying tools with your finger on the switch trigger or inserting the battery pack into a tool with the switch on invites accidents.
- Do not use tool if switch trigger does not turn it on or off. Any tool that cannot be controlled with the switch trigger is dangerous and must be repaired.
- Disconnect edger – Disconnect battery pack from the appliance before storing, servicing, or changing blade or when not in use. Such preventive safety measures reduce the risk of starting the tool accidentally.
- Use only identical manufacturer's replacement parts and accessories. Use of any other parts may create a hazard or cause product damage.
- Check Damaged Parts – Before further use of the appliance, a guard or other part that is damaged should be carefully checked to determine that it will operate properly and perform its function. Check for alignment of moving parts, binding of moving parts, breakage of parts, mounting and any other condition that may effect its operation. A guard or other part that is damaged should be properly repaired or replaced by an authorized service center unless indicated elsewhere in this manual.
- Keep hands and feet away from cutting area.
- Make sure all guards, straps, deflectors and handles are properly and securely attached. Keep guards in place and in working order.
- Store idle appliances indoors – When not in use, edger should be stored indoors in a dry, locked place out of the reach of children.
- Keep the air vents clean and free of debris to avoid overheating the motor. Clean after each use.
- Stop the unit and disconnect the power source when not in use. Carry the unit with the motor stopped.
- Don't grasp the exposed cutting edges when picking up or holding the appliance.

# IMPORTANT SAFETY INSTRUCTIONS




- **Maintain Appliance With Care** – Keep cutting edge sharp and clean for best performance and to reduce the risk of injury. Follow instructions for lubricating and changing accessories. Inspect appliance cord periodically, and if damaged, have it repaired by an authorized service facility. Inspect extension cords periodically and replace if damaged. Keep handles dry, clean, and free from oil and grease.
- Store out of the reach of children.
- Do not hang unit so that the switch trigger is depressed.
- Battery tools do not have to be plugged into an electrical outlet; therefore, they are always in operating condition. Be aware of possible hazards when not using your battery tool or when changing accessories. Following this rule will reduce the risk of electric shock, fire, or serious personal injury.
- Do not charge battery tool in rain, or damp or wet location. Following this rule will reduce the risk of electric shock.
- Do not use battery-operated appliance in rain.
- Remove or disconnect battery before servicing, cleaning or removing material from the gardening appliance.
- Use this product only with batteries and chargers listed in tool/appliance/battery pack/charger correlation supplement 988000-842.
- Do not dispose of the batteries in a fire. The cell may explode. Check with local codes for possible special disposal instructions.
- Do not open or mutilate the batteries. Released electrolyte is corrosive and may cause damage to the eyes or skin. It may be toxic if swallowed.
- Do not place battery tools or their batteries near fire or heat. This will reduce the risk of explosion and possibly injury.
- Batteries can explode in the presence of a source of ignition, such as a pilot light. To reduce the risk of serious personal injury, never use any cordless product in the presence of open flame. An exploded battery can propel debris and chemicals. If exposed, flush with water immediately.
- Do not crush, drop or damage battery pack. Do not use a battery pack or charger that has been dropped or received a sharp blow. A damaged battery is subject to explosion. Properly dispose of a dropped or damaged battery immediately.
- Exercise care in handling batteries in order not to short the battery with conducting materials such as rings, bracelets, and keys. The battery or conductor may overheat and cause burns.
- For best results, your battery tool should be charged in a location where the temperature is more than 50°F but less than 100°F. To reduce the risk of serious personal injury, do not store outside or in vehicles.
- Under extreme usage or temperature conditions, battery leakage may occur. If liquid comes in contact with your skin, wash immediately with soap and water, then neutralize with lemon juice or vinegar. If liquid gets into your eyes, flush them with clean water for at least 10 minutes, then seek immediate medical attention. Following this rule will reduce the risk of serious personal injury.
- Do not expose a battery pack or appliance to fire or excessive temperature. Exposure to fire or temperature above 265°F may cause explosion.
- Follow all charging instructions and do not charge the battery pack or appliance outside of the temperature range specified in the instructions. Charging improperly or at temperatures outside of the specified range may damage the battery and increase the risk of fire.
- Have servicing performed by a qualified repair person using only identical replacement parts.
- This will ensure that the safety of the product is maintained.
- Do not modify or attempt to repair the appliance or the battery pack (as applicable) except as indicated in the instructions for use and care.

## SPECIFIC SAFETY RULES

- Replace dull or worn blade when worn down to the wear indicator.
- Use this edger for edging along sidewalks, driveways, flower beds, and similar areas. Do not use for any other purpose.
- Be thoroughly familiar with the controls. Know how to stop the unit and disengage the controls quickly.
- Do not use the edger on or near graveled surfaces.
- Make yourself familiar with the area you are edging. Be aware of uneven sidewalks and holes in the terrain as well as other similar hazardous conditions (example: wire or wire rope which can break off and become a dangerous projectile). Always push the edger attachment slowly over rough ground.
- Do not attempt to remove cut material nor hold material to be cut when the motor is running or when the cutting blade is moving.
- A coasting blade can cause injury while it continues to spin after the motor is stopped or throttle trigger released. Maintain proper control until the blade has completely stopped rotating.
- Check blade nut for tightness before operating the attachment.
- Improper assembly can create a dangerous situation.
- Never stand or have any part of your body in line with the path of the edger blade.
- If the edger strikes any type of foreign object:
  - a) Stop the edger and remove the spark plug wire or disconnect from the power supply.
  - b) Inspect for damage to the edger attachment.
  - c) Correct damage before using the edger attachment. Failure to do so can cause serious injury.
- Always stop motor and remove the battery before attempting to remove any obstruction caught or jammed in the blade, installing attachment, or making any adjustments.
- Save these instructions. Refer to them frequently and use them to instruct others who may use this product. If you loan someone this product, loan them these instructions also to prevent misuse of the product and possible injury.












## SYMBOLS

The following signal words and meanings are intended to explain the levels of risk associated with this product.

SYMBOL	SIGNAL	MEANING
	<b>DANGER:</b>	Indicates a hazardous situation, which, if not avoided, will result in death or serious injury.
	<b>WARNING:</b>	Indicates a hazardous situation, which, if not avoided, could result in death or serious injury.
	<b>CAUTION:</b>	Indicates a hazardous situation, that, if not avoided, may result in minor or moderate injury.
	<b>NOTICE:</b>	(Without Safety Alert Symbol) Indicates information considered important, but not related to a potential injury (e.g. messages relating to property damage).

# SYMBOLS

Some of the following symbols may be used on this product. Please study them and learn their meaning. Proper interpretation of these symbols will allow you to operate the product better and safer.

SYMBOL	NAME	DESIGNATION/EXPLANATION
	Safety Alert	Indicates a potential personal injury hazard.
	Read Operator's Manual	To reduce the risk of injury, user must read and understand operator's manual before using this product.
	Eye Protection	Always wear eye protection with side shields marked to comply with ANSI Z87.1.
	Wet Conditions Alert	Do not expose to rain or use in damp locations.
	Cutting Hazard	Keep feet and hands away from rotating blade.
	Keep Bystanders Away	Keep all bystanders at least 50 ft. away.
	Ricochet	Thrown objects can ricochet and result in personal injury or property damage.
	Thrown Objects	Thrown objects hazard; keep all bystanders at least 50 ft. (15 m) away.
	Blade Rotation	Direction of Blade Rotation
	Recycle Symbol	This product uses lithium-ion (Li-ion) batteries. Local, state, or federal laws may prohibit disposal of batteries in ordinary trash. Consult your local waste authority for information regarding available recycling and/or disposal options.
	Direct Current	Type or a characteristic of current
$n_0$	No Load Speed	Rotational speed, at no load
.../min	Per Minute	Revolutions, strokes, surface speed, orbits etc., per minute
V	Volts	Voltage
Hz	Hertz	Frequency (cycles per second)
min	Minutes	Time

# FEATURES

## PRODUCT SPECIFICATIONS

Motor .....	40 Volts DC
Blade Length .....	8 in.
Edging Depth.....	Adjustable from 1/2 in. to 2-1/4 in.

## KNOW YOUR PRODUCT

See Figure 1.

The safe use of this product requires an understanding of the information on the tool and in this operator's manual as well as a knowledge of the project you are attempting. Before use of this product, familiarize yourself with all operating features and safety rules.

## DEPTH ADJUSTMENT KNOB

The depth adjustment knob allows user to control depth of cut.

## EDGER WHEEL

The edger wheel allows for more stable cutting performance while edging.

## LOCK-OUT

The lock-out prevents accidental starting.

## SPEED SWITCH

This tool has a speed selector that allows the operator to choose between HI and LOW speeds. Using low speed during operation can help extend battery run time, while using high speed will improve power and performance.

## BLADE LOCK BUTTON

The blade lock button prevents the blade from rotating when loosening or tightening the blade bolt.

## VARIABLE SPEED SWITCH TRIGGER

This tool has a variable speed switch that delivers higher speed with increased trigger pressure. Speed is controlled by the amount of switch trigger depression.

# ASSEMBLY

## UNPACKING

This product requires assembly.

- Carefully remove the product and any accessories from the box. Make sure that all items listed in the packing list are included.

### **WARNING:**

Do not use this product if any parts on the **Packing List** are already assembled to your product when you unpack it. Parts on this list are not assembled to the product by the manufacturer and require customer installation. Use of a product that may have been improperly assembled could result in serious personal injury.

- Inspect the product carefully to make sure no breakage or damage occurred during shipping.
- Do not discard the packing material until you have carefully inspected and satisfactorily operated the product.
- If any parts are damaged or missing, please call 1-800-525-2579 for assistance.

## PACKING LIST

Edger  
Handle Assembly  
Blade Wrench  
Hex Key  
Operator's Manual

### **WARNING:**

If any parts are damaged or missing do not operate this product until the parts are replaced. Use of this product with damaged or missing parts could result in serious personal injury.

### **WARNING:**

Do not attempt to modify this product or create accessories not recommended for use with this product. Any such alteration or modification is misuse and could result in a hazardous condition leading to possible serious personal injury.



# ASSEMBLY

## **WARNING:**

To prevent accidental starting that could cause serious personal injury, always remove the battery pack from the product when assembling parts.

## **CONNECTING THE UPPER AND LOWER SHAFTS**

See Figure 2.

- Remove the battery pack if installed.
- Loosen the two bolts on the coupler of the tool.
- Align the connector on the upper shaft of the tool with the connector on the lower shaft of the tool.

- Slide the connectors together and, using the hex key provided, secure with bolts and nuts. Tighten securely.  
**NOTE:** Orient the nuts so that they sit in the recessed areas on the connectors.

## **ATTACHING THE FRONT HANDLE**

See Figure 3.

- Remove wing nut from the front handle.
- Install the front handle onto the top side of the drive shaft housing.
- Insert bracket tab into handle slot and align bracket hole over handle bolt.
- Reinstall the wing nut.
- Tighten wing nut securely.

# OPERATION

## **WARNING:**

Do not allow familiarity with products to make you careless. Remember that a careless fraction of a second is sufficient to inflict serious injury.

## **WARNING:**

Always wear eye protection with side shields marked to comply with ANSI Z87.1. Failure to do so could result in objects being thrown into your eyes resulting in possible serious injury.

## **WARNING:**

Never use flailing devices, wire, or rope on this product. Do not use any attachments or accessories not recommended by the manufacturer of this product. The use of attachments or accessories not recommended can result in serious personal injury.

## **NOTICE:**

Before each use, inspect the entire product for damaged, missing, or loose parts such as screws, nuts, bolts, caps, etc. Tighten securely all fasteners and caps and do not operate this product until all missing or damaged parts are replaced. Please contact customer service or a qualified service center for assistance.

## **TO INSTALL BATTERY PACK**

See Figure 4.

## **WARNING:**

Always remove battery pack from your tool when you are assembling parts, making adjustments, cleaning, or when not in use. Removing battery pack will prevent accidental starting that could cause serious personal injury.

- Insert the battery pack into the product as shown.

## **WARNING:**

Make sure the latch on the battery pack snaps in place and the battery pack is fully seated and secure in the power head battery port before beginning operation. Failure to securely seat the battery pack could cause the battery pack to fall out, resulting in serious personal injury.

# OPERATION

## TO REMOVE BATTERY PACK

See Figure 4.

- Depress the latch on the battery pack.
- Remove the battery pack.

### **WARNING:**

To avoid serious personal injury, always remove the battery pack and keep hands clear of the lock-out when carrying or transporting the tool.

For complete charging instructions, see the operator's manuals for your battery pack and charger.

## STARTING/STOPPING THE EDGER

See Figure 5.

### To start:

- Select the desired operating speed (HI or LOW).
- Press and hold the lock-out trigger while pressing the switch trigger.

### To stop:

- Release the switch trigger.
- Upon release of the switch trigger, the lock-out trigger will automatically reset to the locked position.

### **CAUTION:**

A coasting blade can cause injury while it continues to spin after the motor is stopped or throttle trigger released. Maintain proper control until the blade has completely stopped rotating.

## OPERATING THE EDGER

See Figure 6.

- Hold the edger with your right hand on the rear handle and your left hand on the front handle.
- Keep a firm grip with both hands while in operation.

- Edger should be held at a comfortable position with the rear handle about hip height.
- The edger will edge along sidewalks, driveways, flower beds, curbs, and similar areas.
- Cut at a steady pace. If the blade begins to bog down, you are edging too fast; slow your pace. Do not force the blade into ground.
- If the blade contacts the sidewalk edge, curb, etc., then stop the edger, remove the battery, and check the blade for damage. Do not continue to use a damaged blade. Continued use of a damaged blade can result in tool failure.
- Best appearance is obtained when grass is dry. Avoid edging in wet soil or wet grass areas or the blade guard might clog and result in an uneven edge. If the blade guard becomes clogged, stop the edger, remove the battery, and remove debris from the blade guard.

### **WARNING:**

Always hold the edger away from the body keeping clearance between the body and the edger. Any contact with the edger cutting head while operating can result in serious personal injury.

## ADJUSTING DEPTH OF CUT

See Figures 7 - 8.

- Remove the battery pack.
- Loosen the depth adjustment knob by turning it counter-clockwise.
- Move the wheel assembly up to increase blade depth or down to decrease blade depth.
- Tighten the depth adjustment knob by turning it clockwise.
- Replace the battery pack.

**NOTE:** Adjust the blade depth from 1/2 in. to 1 in. deep initially. Make a shallow cut to test the cutting depth. If the cutting depth needs adjusting, this should be done progressively until the desired depth is reached.

# MAINTENANCE

## **WARNING:**

To avoid serious personal injury, always remove the battery pack from the tool when cleaning or performing any maintenance.

## **WARNING:**

Always wear eye protection with side shields marked to comply with ANSI Z87.1. Failure to do so could result in objects being thrown into your eyes resulting in possible serious injury.

## **WARNING:**

When servicing, use only identical replacement parts. Use of any other parts could create a hazard or cause product damage.

## **NOTICE:**

Periodically inspect the entire product for damaged, missing, or loose parts such as screws, nuts, bolts, caps, etc. Tighten securely all fasteners and caps and do not operate this product until all missing or damaged parts are replaced. Please contact customer service or a qualified service center for assistance.

## **GENERAL MAINTENANCE**

Avoid using solvents when cleaning plastic parts. Most plastics are susceptible to damage from various types of commercial solvents and may be damaged by their use. Use clean cloths to remove dirt, dust, oil, grease, etc.

## **WARNING:**

Do not at any time let brake fluids, gasoline, petroleum-based products, penetrating oils, etc., come in contact with plastic parts. Chemicals can damage, weaken or destroy plastic which could result in serious personal injury.

## **REPLACING THE BLADE**

See Figure 9.

Replace the blades when they appear worn or when you notice the edger's performance lessens.

**NOTE:** Always wear gloves when handling the blade.

- Remove the battery pack.
  - While holding the blade lock button, rotate the blade until it locks into place.
  - Use the included blade wrench and turn the blade nut counterclockwise to loosen.
  - Remove the cupped washer and the old blade from the motor shaft.
  - Clean any debris from the area.
  - Center the new blade making sure it sits flat on the housing.
  - Reinstall the washer and blade nut and tighten securely.
  - Torque the blade nut down clockwise using a torque wrench (not provided) to ensure the bolt is properly tightened. The recommended torque for the blade nut is 9.4-10.8 ft-lbs.
- NOTE:** If a torque wrench is unavailable use the provided blade wrench to tighten completely and securely.

This replacement part is available from the place of purchase, or by calling 1-800-525-2579.

## **WARNING:**

Always make sure the blade is correctly installed and securely fastened before each use. Failure to properly install the blade may result in serious personal injury.

## **STORING THE EDGER**

- Remove the battery pack from the power head before storing.
- Clean all foreign material from the edger.
- Store it in a place that is inaccessible to children.
- Keep away from corrosive agents such as garden chemicals and de-icing salts.

## **REPLACEMENT PARTS**

Call customer service at 1-800-525-2579 to request replacement parts.

Replacement Blade .....AC04215

# TROUBLESHOOTING

PROBLEM	POSSIBLE CAUSE	SOLUTION
Motor fails to start when switch trigger is depressed.	Battery is not secure.  Battery is not charged.	To secure the battery pack, make sure the latch (or latches) snap into place.  Charge the battery pack according to the instructions included with your model.



## CALL US FIRST

For any questions about operating or maintaining your product, call the Ryobi Help Line!

Your product has been fully tested prior to shipment to ensure your complete satisfaction.

**This product has a Five-year Limited Warranty for personal, family, or household use (90 days for business or commercial use). For warranty details, visit [www.ryobitools.com](http://www.ryobitools.com) or call (toll free) 1-800-525-2579.**



# INSTRUCTIONS IMPORTANTES CONCERNANT LA SÉCURITÉ

## **AVERTISSEMENT :**

Lors de l'utilisation d'outils de jardinage, toujours suivre les consignes de sécurité de base pour éviter les risques d'incendie, d'électrocution et de blessures.

## LIRE TOUTES LES INSTRUCTIONS

- Pour travailler en toute sécurité, lire et veiller à bien comprendre toutes les instructions avant d'utiliser ce produit. Respecter toutes les instructions de sécurité. Le non respect des instructions de sécurité ci-dessous peut entraîner des blessures graves.
- Ne pas laisser des enfants ou personnes n'ayant pas reçu une formation adéquate utiliser cet produit.
- Déblayer la zone de travail avant chaque utilisation. La débarrasser de tous les objets tels que cailloux, verre brisé, clous, fils métalliques, cordes, etc. risquant d'être projetés ou de se prendre dans la ligne de coupe ou la lame.
- Toujours porter une protection oculaire avec écrans latéraux certifiée conforme à la norme ANSI Z87.1. Le respect de cette règle réduira les risques de blessures graves.
- Utiliser les lunettes de sûreté – Toujours la visage d'usage ou le masque de poussière si l'opération est poussiéreuse.
- Protection respiratoire. Porter un masque facial ou un masque antipoussière si le travail produit de la poussière. Le respect de cette consigne réduira les risques de blessures graves.
- Vêtements adéquats – Le port de gants de caoutchouc et de chaussures solides est recommandé pour le travail à l'extérieur. Porter des pantalons et des manches longues en tissu robuste, des chaussures de travail et des gants. Ne pas porter de vêtements amples, des bijoux ou tout autre article pouvant se coincer dans les pièces mobiles.
- Attacher les cheveux longs pour les maintenir au-dessus des épaules afin qu'ils ne se coincent pas dans les pièces mobiles.
- Tenir les enfants éloignés – Ranger les appareils qui ne sont pas utilisés – Garder les badauds, enfants et animaux à une distance de 15 m (50 pi) minimum.
- Rester alerte – Se concentrer sur son travail. Faire preuve de bon sens. Ne pas utiliser ce taille-bordures en état de fatigue, si l'on est souffrant, si vous êtes bouleversé, ou sous l'influence de l'alcool, de drogues ou de médicaments.
- Ne pas travailler sous un éclairage insuffisant.
- Garder toutes les parties du corps à l'écart des pièces en mouvement.
- Ne pas utiliser d'outils électriques dans des atmosphères explosives, par exemple en présence de liquides, gaz ou poussières inflammables. Les outils électriques produisent des étincelles risquant d'enflammer les poussières ou vapeurs.
- N'utiliser en aucun cas un accessoire non fourni avec le produit, ou indiqué comme pouvant être utilisé sur l'outil dans le manuel d'utilisation.
- Éviter les environnements dangereux – Ne pas exposer le appareil ou outil à la pluie ou l'humidité. La pénétration d'eau dans ces outils accroît le risque de choc électrique.
- Utiliser les appareils appropriés – Ne pas utiliser l'outil pour une tâche pour laquelle il n'est pas conçu.
- Ne pas forcer appareil – Un produit approprié exécutera le travail mieux et de façon moins dangereuse s'il fonctionne dans les limites prévues.
- Ne pas faire fonctionner l'équipement pied-nu ou en portant des sandales ou des chaussures légères similaires. Porter des chaussures de protection qui protègent vos pieds et améliorent votre équilibre sur des surfaces glissantes.
- Ne pas exagérer en se courbant ou en s'étirant. Se tenir bien campé et en équilibre. Cette façon de travailler pourrait vous faire perdre l'équilibre.
- Éviter les démarrages accidentels s'assurer que la gâchette est verrouillée en position d'arrêt avant d'insérer le bloc piles. Le transport d'outils avec le doigt sur le commutateur ou l'insertion du bloc piles avec le commutateur en position de marche est une invite aux accidents.
- Ne pas utiliser l'produit si le commutateur ne permet pas de le mettre en marche et de l'arrêter. Tout produit qui ne peut pas être contrôlé par son commutateur est dangereux et doit être réparé.
- Débrachement du taille-bordures – Retirer le bloc-piles de l'outil avant de le ranger, le réparer ou changer la lame. Ces mesures de sécurité réduisent les risques de démarrage accidentel de l'outil.
- Utiliser exclusivement des pièces de rechange et accessoire d'origine. L'usage de toute autre pièce pourrait créer une situation dangereuse ou endommager l'produit.
- Vérifier l'état des pièces – Avant d'utiliser l'appareil de nouveau examiner soigneusement les pièces et dispositifs de protection qui semblent endommagés afin de déterminer s'ils fonctionnent correctement et s'ils remplissent les fonctions prévues. Vérifier l'alignement des pièces mobiles, s'assurer qu'aucune pièce n'est bloquée ou cassée, vérifier la fixation de chaque pièce et s'assurer qu'aucun autre problème ne risque d'affecter le bon fonctionnement de l'outil. La réparation ou le remplacement du dispositif de protection ou de toute autre pièce doivent être confiés à un centre de réparations autorisé, sauf indication contraire dans le présent manuel.
- Éloigner les mains et les pieds de la zone de coupe.
- S'assurer que tous les protections, sangles, déflecteurs et poignées sont correctement et solidement fixés. Maintenir les protections en place et en état de marche.
- Entreposer les outils à l'intérieur – Quand pas dans l'usage, tondeuse à fouet devrait être emmagasiné à la maison dans un sec, fermé à clef la remiser dans un endroit inaccessible aux enfants.

# INSTRUCTIONS IMPORTANTES CONCERNANT LA SÉCURITÉ




- S'assurer que les événements d'aération sont propres et exempts de débris afin d'éviter que le moteur ne surchauffe. Les nettoyer après chaque utilisation.
- Arrêter l'appareil et le débrancher de la source d'alimentation lorsqu'il n'est pas utilisé. Attendre l'arrêt complet du moteur avant de déplacer l'appareil.
- Ne pas tenir les bords coupants lorsque l'on ramasse ou que l'on tient l'outil.
- Entretenir soigneusement l'appareil : garder la lame affûtée et propre pour une performance optimale et pour réduire le risque de blessure. Suivre les instructions pour la lubrification et le remplacement des accessoires. Inspecter le cordon de l'appareil périodiquement et en cas de dommage, demander à un centre d'entretien autorisé de le réparer. Inspecter périodiquement les rallonges électriques et les remplacer si elles sont endommagées. Garder les poignées propres, sèches et exemptes d'huile et de graisse.
- Ranger l'appareil en s'assurant qu'il est débranché et qu'il est hors de la portée des enfants.
- Ne pas suspendre l'appareil d'une façon qui enclencherait la gâchette.
- Les outils fonctionnant sur piles n'ayant pas besoin d'être branchés sur une prise de courant, ils sont toujours en état de fonctionnement. Tenir compte des dangers possibles lorsque l'appareil n'est pas en usage et lors du remplacement des piles. Le respect de cette consigne réduira les risques d'incendie, de choc électrique et de blessures graves.
- Ne pas recharger un produit fonctionnant sur piles dans un endroit la pluie ou humide ou mouillé. Le respect de cette règle réduira les risques de choc électrique.
- Ne pas utiliser un appareil alimenté par pile sous la pluie.
- Retirer ou débrancher la pile avant l'entretien ou le nettoyage de l'appareil de jardin ou avant d'en retirer des matériaux.
- Utiliser ce produit seulement avec les piles et les chargeurs indiqués dans le supplément de raccordement pour chargeur/outils/piles/appareil n° 988000-842.
- Ne pas jeter les piles au feu. La cellule peut exploser. Vérifier les codes locaux pour connaître toute instruction spéciale relative à l'élimination des piles.
- Ne pas altérer le bloc piles. L'électrolyte est un produit corrosif pouvant causer des lésions cutanées ou oculaires. Il peut être toxique en cas d'ingestion.
- Ne pas placer les outils électriques sans fil ou leurs piles à proximité de flammes ou d'une source de chaleur. Ceci réduira les risques d'explosion et de blessures.
- Les piles peuvent exploser en présence d'une source d'allumage, telle qu'une veilleuse. Pour réduire les risques de blessures graves, ne jamais utiliser un appareil sans fil, quel qu'il soit, en présence d'une flamme vive. En explosant, une pile peut projeter des débris et des produits chimiques. En cas d'exposition, rincer immédiatement les parties atteintes avec de l'eau.
- Ne pas écraser, faire tomber ou endommager le bloc piles. Ne jamais utiliser un bloc piles ou un chargeur qui est tombé, a été écrasé, a reçu un choc violent ou a été endommagé de quelque façon que ce soit. Une pile endommagée risque d'exploser. Éliminer immédiatement toute pile endommagée, selon une méthode appropriée.
- Manipuler les piles avec soin pour éviter des courts circuits avec des objets conducteurs comme des anneaux, des bracelets et des clés. La pile ou l'objet conducteur peuvent surchauffer et causer des brûlures.
- Pour un résultat optimal, les piles de l'appareil doivent être rechargées dans un local où la température est de 10 à 38 °C (50 à 100 °F). Ne pas ranger l'appareil à l'extérieur ou dans un véhicule.
- Si l'appareil est utilisé de façon intensive ou sous des températures extrêmes, des fuites de pile peuvent se produire. En cas de contact du liquide avec la peau, rincer immédiatement la partie atteinte avec de l'eau savonneuse, puis neutralisez avec du jus de citron ou du vinaigre. En cas d'éclaboussure dans les yeux, rincez-les à l'eau fraîche pendant au moins 10 minutes, puis contactez immédiatement un médecin. Le respect de cette consigne réduira les risques de blessures graves.
- Ne pas exposer le bloc-piles ou l'outil au feu ou à des températures excessives. Une exposition au feu ou à une température supérieure à 130 °C (265 °F) peut provoquer une explosion.
- Suivre toutes les instructions afférentes à la recharge et ne pas recharger le bloc-piles ou l'appareil hors des températures spécifiées dans les instructions. Une recharge incorrecte ou hors des températures spécifiées peut endommager la pile et augmenter les risques de feu.
- Demander à un réparateur qualifié d'effectuer la réparation en utilisant des pièces de rechange identiques.
- Ceci assurera la bonne sécurité du produit réparé.
- Ne pas modifier ni tenter de réparer l'appareil ou le bloc-piles (le cas échéant), sauf comme indiqué dans les instructions d'utilisation et d'entretien.

# RÈGLES DE SÉCURITÉ PARTICULIÈRES

- Remplacer la lame émoussée ou usée jusqu'à l'indicateur d'usure.
- Ce coupe-bordures permet d'effectuer la finition des trottoirs, allées et massifs de fleurs. Ne pas l'utiliser pour d'autres applications.
- Bien se familiariser avec les commandes. Savoir arrêter l'appareil et débrayer rapidement l'entraînement.
- Ne pas utiliser le coupe-bordures sur ou à proximité de surfaces gravillonnées.
- Se familiariser avec le terrain sur lequel sont effectuées les finitions. Faire attention aux trottoirs irréguliers et aux trous dans le terrain ainsi qu'aux autres situations présentant un danger semblable (exemple : ne jamais utiliser de fil ou câble métallique qui pourrait se briser et devenir un projectile dangereux). Toujours pousser lentement l'accessoire coupe-border sur les terrains irréguliers.
- Ne pas essayer de retirer de l'herbe coupée de l'outil ou de tenir l'herbe à couper lorsque le moteur tourne ou la lame est en rotation.
- Une lame continuant de tourner au débrayé une fois que le moteur est arrêté et la gâchette relâchée peut causer des blessures. Garder le contrôle de l'outil jusqu'à ce que la lame soit complètement immobilisée.
- S'assurer que l'écrou de lame est serré solidement avant d'utiliser l'accessoire.
- Un assemblage inadéquat peut entraîner une situation dangereuse.
- Ne jamais se tenir vis-à-vis du chemin de coupe et garder toutes les parties du corps à l'écart de celui-ci.
- Si le coupe-bordures cogne un objet quelconque :
  - a) Arrêter le coupe-bordure et débrancher le fil de la bougie ou débrancher de la prise secteur.
  - b) Inspecter le coupe-bordures pour voir s'il est endommagé.
  - c) Effectuer les corrections requises avant d'utiliser l'accessoire coupe-bordures. Ne pas prendre cette précaution peut entraîner des risques de blessures graves.
- Toujours éteindre le moteur et retirer le bloc de piles avant d'essayer de retirer des objets pris dans la lame ou la bloquant, avant d'installer la lame ou avant d'effectuer tout réglage.
- Conserver ces instructions. Les consulter fréquemment et les utiliser pour instruire les autres utilisateurs éventuels. Si cet outil est prêté, il doit être accompagné de ces instructions, afin d'éviter un usage incorrect et d'éventuelles blessures.

## SYMBOLES












Les termes de mise en garde suivants et leur signification ont pour but d'expliquer le degré de risques associé à l'utilisation de ce produit.

SYMBOLE	SIGNAL	SIGNIFICATION
	<b>DANGER:</b>	Indique une situation dangereuse qui, si elle n'est pas évitée, aura pour conséquences des blessures graves ou mortelles.
	<b>AVERTISSEMENT :</b>	Indique une situation dangereuse qui, si elle n'est pas évitée, pourrait entraîner des blessures graves ou mortelles.
	<b>ATTENTION :</b>	Indique une situation dangereuse qui, si elle n'est pas évitée, pourrait entraîner des blessures légères ou de gravité modérée.
	<b>AVIS :</b>	(Sans symbole d'alerte de sécurité) Indique les informations jugées importantes sans toutefois représenter un risque de blessure (ex. : messages concernant les dommages matériels).



# SYMBOLES

Certains des symboles ci-dessous peuvent être utilisés sur produit. Veiller à les étudier et à apprendre leur signification. Une interprétation correcte de ces symboles permettra d'utiliser produit plus efficacement et de réduire les risques.

SYMBOLE	NOM	DÉSIGNATION / EXPLICATION
	Symbole d'alerte de sécurité	Indique un risque de blessure potentiel.
	Lire manuel d'utilisation	Pour réduire les risques de blessures, l'utilisateur doit lire et veiller à bien comprendre le manuel d'utilisation avant d'utiliser ce produit.
	Protection oculaire	Toujours porter une protection oculaire avec écrans latéraux certifiée conforme à la norme ANSI Z87.1.
	Avertissement concernant l'humidité	Ne pas exposer à la pluie ou l'humidité.
	Risque de coupure	Garder la lame tournante loin des mains et des pieds.
	Ne laisser personne s'approcher	Garder les badauds à une distance de 15 m (50 pi) minimum.
	Danger de ricochet	Ne pas utiliser le coupe-bordures sans le protecteur. Rester éloigné de la tête de coupe rotative.
	Projection d'objets	Projection risques d'objets; Garder les badauds à une distance de 15 m ou 50 po minimum.
	Sens de rotation de la lame	Sens de rotation de la lame
	Symbole de recyclage	Ce produit utilise les piles de lithium-ion (Li-ion). Les réglementations locales ou gouvernementales peuvent interdire de jeter les piles dans les ordures ménagères. Consulter les autorités locales compétentes pour les options de recyclage et/ou l'élimination.
	Courant continu	Type ou caractéristique du courant
$n_0$	Vitesse à vide	Vitesse de rotation à vide
.../min	Par minute	Tours, coups, vitesse périphérique, orbites, etc., par minute
V	Volts	Tension
Hz	Hertz	Fréquence (cycles par seconde)
min	Minutes	Temps

# CARACTÉRISTIQUES

## PRODUCT SPECIFICATIONS

Moteur .....	40 V c.c.
Longueur de lame .....	203,2 mm (8 po)
Profondeur de chant .....	Adjustable entre 12,7 mm à 57,2 mm (1/2 po et 2-1/4 po)

## APPRENDRE À CONNAÎTRE PRODUIT

Voir la figure 1.

L'utilisation sûre de ce produit exige une compréhension des renseignements figurant sur l'produit et contenus dans le manuel d'utilisation, ainsi qu'une bonne connaissance du projet entrepris. Avant d'utiliser ce produit, se familiariser avec toutes ses caractéristiques et règles de sécurité.

## BOUTON D'AJUSTEMENT DE LA PROFONDEUR

Le bouton d'ajustement de la profondeur permet à l'utilisateur de contrôler la profondeur de coupe.

## ROUE DU ACCESSOIRE COUPE-BORDURES

La roue du coupe-bordures tient le compte de l'exécution de coupe plus stable en coupe-bordures.

## VERROUILLAGE

Le verrouillage prévient les démarrages accidentels.

## INTERRUPTEUR DE VITESSE

Cet outil est équipé d'un sélecteur de vitesse permettant à l'opérateur de choisir entre une vitesse élevée ou basse. Une vitesse basse lors de l'opération peut aider à prolonger la durée de vie de la pile alors que la vitesse élevée améliorera la puissance et la performance.

## BOUTON DE VERROUILLAGE DE LA LAME

Le bouton de verrouillage de la lame empêche la lame de tourner lorsqu'on desserre ou serre le boulon de la lame.

## GÂCHETTE DE COMMANDE DE VITESSE VARIABLE

Cet outil est doté d'une gâchette de commande de vitesse sensible à la pression. La vitesse est contrôlée par la pression exercée sur la gâchette.

# ASSEMBLAGE

## DÉBALLAGE

Ce produit nécessite un assemblage.

- Avec précaution, sortir l'produit et les accessoires de la boîte. S'assurer que toutes les pièces figurant sur la liste de contrôle sont incluses.

### **AVERTISSEMENT :**

Ne pas utiliser le produit si, en le déballant, vous constatez que des éléments figurant dans la Liste de contrôle d'expédition sont déjà assemblés. Certaines pièces figurant sur cette liste n'ont pas été assemblées par le fabricant et exigent une installation. Le fait d'utiliser un produit qui a été assemblé de façon inadéquate peut entraîner des blessures.

- Examiner soigneusement l'produit pour s'assurer que rien n'a été brisé ou endommagé en cours de transport.
- Ne pas jeter les matériaux d'emballage avant d'avoir soigneusement examiné l'produit et avoir vérifié qu'il fonctionne correctement.
- Si des pièces manquent ou sont endommagées, appeler le 1-800-525-2579.

## LISTE DE CONTRÔLE

Coupe-bordures  
Assemblage de la poignée  
Clé pour lame  
Clé hexagonale  
Manuel d'utilisation

### **AVERTISSEMENT :**

Si des pièces manquent ou sont endommagées, ne pas utiliser cet produit avant qu'elles aient été remplacées. Le non-respect de cet avertissement pourrait entraîner des blessures graves.

### **AVERTISSEMENT :**

Ne pas essayer de modifier cet produit ou de créer des accessoires non recommandés pour l'produit. De telles altérations ou modifications sont considérées comme un usage abusif et peuvent créer des conditions dangereuses, risquant d'entraîner des blessures graves.

# ASSEMBLAGE

## **AVERTISSEMENT :**

Toujours retirer le bloc-piles du produit lors de l'assemblage des pièces pour prévenir le démarrage accidentel pouvant causer des blessures graves.

## **RACCORDEMENT DES ARBRES SUPERIEUR ET INFERIEUR**

*Voir la figure 2.*

- Si est installé, retirer le bloc piles.
- Desserrer les deux boulons du coupleur de l'outil.
- Aligner le connecteur situé sur l'extrémité supérieure de l'outil avec le connecteur sur l'extrémité inférieure de l'outil.

- Assembler les connecteurs en les faisant glisser et, à l'aide de la clé hexagonale fournie, les fixer avec les boulons et les écrous. Serrer solidement.

**NOTE :** Orienter les écrous de manière qu'ils reposent dans les zones en retrait sur les connecteurs.

## **INSTALLATION DE LA POIGNÉE AVANT**

*Voir la figure 3.*

- Retirer l'écrou à oreilles de la poignée avant.
- Installer la poignée avant sur le côté supérieur du tube de l'arbre moteur.
- Insérer la languette du support dans la fente de la poignée et alignez le trou du support sur le boulon de la poignée.
- Réinstaller l'écrou à oreilles.
- Serrer fermement l'écrou papillon.

# UTILISATION

## **AVERTISSEMENT :**

Ne pas laisser la familiarité avec l'produit faire oublier la prudence. Ne pas oublier qu'une fraction de seconde d'inattention peut entraîner des blessures graves.

## **AVERTISSEMENT :**

Toujours porter une protection oculaire avec écrans latéraux certifiée conforme à la norme ANSI Z87.1. Si cette précaution n'est pas prise, des objets peuvent être projetés dans les yeux et causer des lésions graves.

## **AVERTISSEMENT :**

Ne jamais utiliser de dispositifs à fléau, ligne et cordes sur ce produit. Ne pas utiliser d'outils ou accessoires non recommandés par le fabricant pour cet produit. L'utilisation de pièces et accessoires non recommandés peut entraîner des blessures graves.

## **AVIS :**

Avant chaque utilisation, inspecter au complet le produit afin de s'assurer qu'aucune pièce (vis, écrous, boulons, chapeaux, etc.) n'est endommagée, manquante ou desserrée. Serrer solidement toutes les pièces de fixation et les chapeaux et ne pas utiliser le produit tant que toutes les pièces manquantes ou endommagées n'ont pas été remplacées. Pour obtenir de l'aide, veuillez communiquer avec le service à la clientèle ou un centre de réparations qualifié.

# UTILISATION

## INSTALLATION DU BLOC-PILES

Voir la figura 4.

### **AVERTISSEMENT :**

Toujours retirer la pile de l'outil au moment d'assembler des pièces, d'effectuer des réglages et de procéder au nettoyage, ou lorsque l'outil n'est pas utilisé. Le fait de retirer la pile permet d'empêcher un démarrage accidentel pouvant entraîner des blessures graves.

- Insérer le bloc-piles dans le produit comme il est indiqué.

### **AVERTISSEMENT :**

S'assurer que le loquet du bloc-piles s'enclenche et que le bloc-piles est installé et fixé correctement du bloc-moteur. avant de commencer le travail. Ne pas installer et fixer correctement le bloc-piles peut provoquer la chute de ce dernier et occasionner des blessures graves.

## RETRAIT DU BLOC-PILES

Voir la figura 4.

- Appuyer sur le loquet du bloc-piles.
- Retirer le bloc-piles.

### **AVERTISSEMENT :**

Pour éviter des blessures graves, toujours retirer le bloc-piles et tenir à distance de mains le verrouillage en portant l'outil.

Pour prendre connaissance des consignes de chargement, consulter le manuel d'utilisation des piles et des chargeurs.

## MISE EN MARCHÉ ET ARRÊT DE LA COUPE-BORDURES

Voir la figura 5.

### Pour démarrer :

- Choisir la vitesse de fonctionnement désirée (ÉLEVÉE ou BASSE [HI ou LOW]).
- Appuyer et maintenir la gâchette de verrouillage tout en appuyant sur la gâchette de commutateur.

### Pour arrancer :

- Relâcher la gâchette.
- Lorsque la gâchette est relâchée, le gâchette avec verrou se remet automatiquement en position verrouillée.

### **ATTENTION :**

Une lame continuant de tourner au débrayé une fois que le moteur est arrêté et la gâchette relâchée peut causer des blessures. Garder le contrôle de l'outil jusqu'à ce que la lame soit complètement immobilisée.

## UTILISATION DU COUPE-BORDURES

Voir la figura 6.

- Tenir la coupe-bordures avec la main droite sur la poignée arrière et la main gauche sur la poignée avant.
- Garder une prise ferme sur les deux poignées pendant le fonctionnement.
- Maintenir le coupe-bordures dans une position confortable, la poignée arrière à peu près à hauteur de la taille.
- Le coupe-bordures permet d'effectuer la finition des trottoirs, allées et massifs de fleurs, terre-pleins et autres endroits semblables.
- Couper à une vitesse régulière. Si la lame se met à peiner, c'est que la vitesse de travail est trop rapide; il faut la réduire. Ne pas forcer la lame dans la terre.
- Si la lame entre en contact avec le bord du trottoir, une courbe, etc., arrêter le coupe-bordure, retirer la pile et examiner la lame pour voir si elle est endommagée. Ne pas continuer d'utiliser une lame endommagée. L'utilisation continue d'une lame endommagée peut entraîner la défaillance de l'outil.
- Le meilleur aspect est obtenu lorsque l'herbe est sèche. Éviter de travailler sur un sol humide ou de l'herbe mouillée, car le protège-lame pourrait s'encrasser et produire une bordure irrégulière. Si le protège-lame s'encrasse, arrêter le moteur, débrancher le fil de la bougie et retirer les débris du protège-lame.

### **AVERTISSEMENT :**

Toujours tenir la coupe-bordures distance de soi en maintenant un périmètre de sécurité entre le corps et la tondeuse à fouet. Tout contact avec la tête de coupe de la coupe-bordures en cours d'utilisation peut causer des blessures graves.

## POUR RÉGLER LA PROFONDEUR DE COUPE

Voir les figures 7 et 8.

- Retirer le bloc-piles.
- Desserrer le bouton de réglage de profondeur en le tournant vers la gauche.
- Déplacer l'ensemble de la roue vers le haut pour augmenter la profondeur de la lame ou vers le bas pour la diminuer.
- Serrer le bouton de réglage de profondeur en le tournant vers la droite.
- Replacer le bloc-piles.

**NOTE :** Régler initialement la profondeur de coupe entre 13 à 25 mm (1/2 po à 1 po). Faire une coupe peu profonde pour tester la profondeur de coupe. Si celle-ci doit être modifiée, le faire progressivement jusqu'à ce que la profondeur voulue soit atteinte.

# ENTRETIEN

## **AVERTISSEMENT :**

Pour empêcher un démarrage accidentel pouvant entraîner des blessures graves, toujours retirer le piles de l'produit avant tout nettoyage ou entretien.

## **AVERTISSEMENT :**

Toujours porter une protection oculaire avec écrans latéraux certifiée conforme à la norme ANSI Z87.1. Si cette précaution n'est pas prise, des objets peuvent être projetés dans les yeux et causer des lésions graves.

## **AVERTISSEMENT :**

Utiliser exclusivement des pièces d'origine pour les réparations. L'usage de toute autre pièce pourrait créer une situation dangereuse ou endommager l'produit.

## **AVIS :**

Inspecter périodiquement au complet le produit afin de s'assurer qu'aucune pièce (vis, écrous, boulons, chapeaux, etc.) n'est endommagée, manquante ou desserrée. Serrer solidement toutes les pièces de fixation et les chapeaux et ne pas utiliser le produit tant que toutes les pièces manquantes ou endommagées n'ont pas été remplacées. Pour obtenir de l'aide, veuillez communiquer avec le Service à la clientèle ou un centre de réparations qualifié.

## ENTRETIEN GÉNÉRAL

Éviter d'utiliser des solvants pour le nettoyage des pièces en plastique. La plupart des matières plastiques peuvent être endommagées par divers types de solvants du commerce. Utiliser un chiffon propre pour éliminer la saleté, la poussière, l'huile, la graisse, etc.

## **AVERTISSEMENT :**

Ne jamais laisser de liquides tels que le fluide de freins, l'essence, les produits à base de pétrole, les huiles pénétrantes, etc., entrer en contact avec les pièces en plastique. Les produits chimiques peuvent endommager, affaiblir ou détruire le plastique, ce qui pourrait entraîner des blessures graves.

## REPLACEMENT DE LES LAME

*Voir la figure 9.*

Remplacer les lames lorsqu'elles semblent usées ou lorsque vous remarquez que les performances du coupe-bordures diminuent.

**NOTE:** Toujours porter des gants lors de la manipulation de la lame.

- Retirer le bloc-piles.
- À l'aide de la Clé pour lame (fournie), tourner l'écrou de la lame dans le sens inverse des aiguilles d'une montre pour le desserrer.
- Appuyer sur le bouton de verrouillage de la lame et le maintenir enfoncé tout en faisant tourner la lame jusqu'à ce qu'elle se verrouille en place.
- Retirer la lame usée de l'arbre de moteur.
- Nettoyer tous les débris de la zone.
- Centrer la nouvelle lame en s'assurant qu'elle repose à plat sur le boîtier.
- Réinstaller la rondelle et l'écrou de la lame, puis serrer solidement.
- Serrez l'écrou de lame sens horaire en utilisant une clé dynamométrique (non fournie) pour s'assurer que l'écrou et bien serré. Le couple de serrage recommandé pour l'écrou de lame est de 9,4-10,8 po-lbs.

**NOTE :** Si une clé dynamométrique n'est pas disponible, utiliser la clé pour lame fournie afin de serrer complètement et solidement.

Cette pièce de rechange peut être obtenue chez le détaillant qui a vendu l'outil ou en appelant le 1-800-525-2579.

## **AVERTISSEMENT :**

Avant chaque utilisation, toujours s'assurer que la lame est correctement installée et bien fixée. Une lame mal installée peut provoquer des blessures graves.

## REMISAGE DE LA COUPE-BORDURES

- Retirer le bloc-piles du bloc-moteur avant le rangement.
- Nettoyer soigneusement la tondeuse à fouet.
- La remiser dans un endroit inaccessible aux enfants.
- Le tenir à l'écart de produits corrosifs, tels que les produits chimiques de jardinage et le sel de dégivrage.

## PIÈCES DE RECHANGE

Appeler le service à la clientèle au 1 800 525-2579 pour demander des pièces de rechange.

Lame de rechange..... AC04215

# DÉPANNAGE

PROBLÈME	CAUSE POSSIBLE	SOLUTION
Le moteur ne démarre pas quand change la gâchette.	La pile n'est pas fixée.  La pile n'est pas chargée.	Pour la fixer, s'assurer que le loquet (ou les loquets) de la pile sont enclenchés.  Charger la pile conformément aux instructions fournis avec ce modèle.



## NOUS APPELER D'ABORD

Pour toute question concernant l'utilisation ou l'entretien utiliser ce produit, appeler le service d'assistance téléphonique Ryobi!

Le taille-bordures à été entièrement testé avant expédition pour assurer la complète satisfaction de l'utilisateur.

**Ce produit est accompagné d'une garantie limitée de cinq (5) ans pour utilisation personnel, familiales ou domestiques (90 jours pour utilisation affaires ou commerciaux). Pour obtenir les détails de la garantie, visiter le site [www.ryobitools.com](http://www.ryobitools.com) ou appeler (sans frais) au 1-800-525-2579.**



# REGLAS DE SEGURIDAD GENERALES

## **ADVERTENCIA:**

Al utilizar herramientas eléctricas para el cuidado del jardín, con el fin de reducir el riesgo de incendio, descargas eléctricas y lesiones corporales, siempre deben seguirse ciertas medidas básicas de precaución.

## LEA TODAS LAS INSTRUCCIONES

- Para la operación segura, lea y entienda todas las instrucciones antes de usar este producto. Siga todas las instrucciones de seguridad. La inobservancia de todas las instrucciones de seguridad señaladas abajo puede causar lesiones corporales graves.
- No permita que utilicen esta unidad niños ni personas carentes de la debida instrucción para su manejo.
- Limpie el área de trabajo cada vez antes de usar la unidad. Retire todos los objetos tales como piedras, vidrios rotos, clavos, alambre o cuerdas que pudiesen resultar lanzados o enredados en el hilo de corte o hoja, según sea el caso.
- Cuando utilice este producto, siempre póngase protección ocular con protección lateral con la marca de cumplimiento de la norma ANSI Z87.1, junto con protección auditiva.
- Use gafas de seguridad – Siempre utilice una mascarilla para el rostro o antipolvo si se genera polvo durante la operación.
- Protéjase los pulmones. Use una careta o mascarilla contra el polvo si la operación genera mucho polvo. Con el cumplimiento de esta regla se reduce el riesgo de lesiones serias.
- Vístase adecuadamente – Se recomienda el uso de guantes de goma y un calzado resistente cuando se trabaja a la intemperie. Póngase pantalones largos de tela gruesa, mangas largo, botas y guantes. No se ponga ropa holgada o pantalones cortos, ni ande descalzo. No se ponga joyas de ninguna clase.
- Recójase el cabello largo arriba del nivel de los hombros para evitar que se enrede en las piezas móviles.
- Mantenga alejados a los niños – Mantenga alejados a todos los circunstantes, niños y animales a una distancia mínima de 15 m (50 pies).
- Permanezca alerta – Preste atención a lo que está haciendo. Use el sentido común. No use esta unidad cuando se encuentre fatigado, enfermo o bajo los efectos del alcohol, drogas o medicamentos.
- No utilice la unidad en condiciones deficientes de iluminación.
- Mantenga todas las partes del cuerpo alejadas de toda pieza en movimiento.
- No utilice herramientas motorizadas en atmósferas explosivas, como las existentes alrededor de líquidos, gases y polvos inflamables. Las herramientas eléctricas generan chispas que pueden encender el polvo y los vapores inflamables.
- En ninguna circunstancia, use accesorio o accesorio alguno en este producto, que no se haya suministrado con el producto mismo, o que no esté identificado como apropiado para el uso con este producto en el manual del operador.
- Evite los entornos de trabajo peligrosos – No exponga las aparatos o herramientas eléctricas a la lluvia ni a condiciones de humedad. La introducción de agua en una herramienta eléctrica aumenta el riesgo de descargas eléctricas.
- Vístase adecuadamente – No fuerce la herramienta. Utilice la herramienta adecuada para cada tarea.
- No fuerce la herramienta – El uso de la herramienta adecuada a la velocidad para la que está diseñada, efectuará el trabajo de mejor y más segura manera.
- No accione el equipo cuando esté descalzo o al llevar puestas sandalias o calzado liviano similar. Use calzado de seguridad que le proteja sus pies y mejore su postura en superficies resbaladizas.
- No estire el cuerpo para alcanzar mayor distancia – Mantenga los pies bien afirmados y el equilibrio. No trate de alcanzar demasiado lejos. Se puede perder el equilibrio al tratar de alcanzar demasiado lejos.
- Evite un arranque accidental de la unidad – Asegúrese de que el interruptor esté en la posición de aseguramiento o de apagado antes de instalar el paquete de baterías. Llevar las herramientas con el dedo en el interruptor o instalar el paquete de baterías en la herramienta con el interruptor puesto es causa común de accidentes.
- No utilice la herramienta si el interruptor no enciende o no apaga. Una herramienta que no pueda controlarse con el interruptor es peligrosa y debe repararse.
- Desconecte recortadora de bordes – Desconecte el paquete de la batería del artefacto antes de guardar, reparar o cambiar la hoja o cuando no la utilice. Con tales medidas preventivas de seguridad se reduce el riesgo de poner en marcha accidentalmente la herramienta.
- Sólo utilice piezas de repuesto idénticas y accesorios del fabricante original. El empleo de piezas diferentes puede causar un peligro o dañar el producto.
- Revise para ver si hay piezas dañadas – Antes de seguir utilizando la herramienta, es necesario inspeccionar cuidadosamente toda protección o pieza dañada para determinar si funcionará correctamente y desempeñará la función a la que está destinada. Verifique la alineación de las partes móviles, que no haya atoramiento de partes móviles, que no haya piezas rotas, el montaje de las piezas y cualquier otra condición que pudiera afectar su funcionamiento. Toda protección o pieza que esté dañada debe repararse apropiadamente o reemplazarse en un centro de servicio autorizado para evitar todo riesgo de lesiones.
- Mantenga las manos y los pies alejados del área de corte.
- Asegúrese de que todos los protectores, las correas, los deflectores y los mangos estén sujetos de manera adecuada y segura. Mantenga los protectores en su lugar y en funcionamiento.



# REGLAS DE SEGURIDAD GENERALES

- Guarde en el interior los artefactos que no esté usando - Mientras no se esté utilizando, la recortadora de hilo debe almacenarse en el interior, en un sitio seco y bajo llave, lejos del alcance de los niños.
- Mantenga las rejillas de ventilación limpias y sin desechos para evitar que se recaliente el motor. Límpielas cada vez, después de usar la herramienta.
- Apague la unidad y desconecte el suministro de corriente cuando no esté en uso. Traslade la unidad con el motor apagado.
- No sujete las hojas de corte al levantar o sujetar los artefacto.
- Mantenga el electrodoméstico con cuidado: mantenga el borde de corte afilado para obtener el máximo rendimiento y reducir el riesgo de lesiones. Siga las instrucciones para lubricar y cambiar los accesorios. Inspeccione el cable del aparato periódicamente y, si está dañado, llévelo a reparar a un centro de servicio autorizado. Inspeccione los cables de extensión periódicamente y reemplácelos si están dañados. Mantenga los mangos secos, limpios y libres de aceite y grasa.
- Guarde la unidad desenchufada y fuera del alcance de los niños.
- No cuelgue la unidad de modo que el gatillo del interruptor quede presionado.
- Las herramientas de baterías no se necesitan conectar a una toma de corriente; por lo tanto, siempre están en condiciones de funcionamiento. Esté consciente de los posibles peligros cuando no esté usando la herramienta de baterías o cuando esté cambiando los accesorios de la misma. Siempre encaje la palanca de seguro antes de colocar la recortadora en el cargador montado en la pared. Con el cumplimiento de esta regla se reduce el riesgo de una descarga eléctrica, incendio o lesión corporal seria.
- No cargue herramientas de baterías en lugares mojados o húmedos. Con el cumplimiento de esta regla se reduce el riesgo de una descarga eléctrica.
- No use aparatos accionados por baterías en la lluvia.
- Quite o desconecte la batería cuando no se está cargando, y antes de proporcionarle servicio, realizarle una limpieza, quitar material del aparato para el cuidado del jardín, o antes de almacenarla.
- Usar este producto únicamente con la baterías y el cargadores indicados en el folleto de la herramienta/aparato/paquete de baterías/cargador complementario 988000-842.
- No deseche las baterías en el fuego. Las baterías pueden estallar. Verifique los códigos de la localidad para conocer posibles instrucciones especiales para desecharlas.
- No desarme el paquete de baterías. El electrolito emitido es corrosivo y puede causar daños en los ojos y en la piel. Puede ser tóxico si se ingiere.
- No coloque herramientas de baterías ni las baterías mismas cerca del fuego o del calor. De esta manera se reduce el riesgo de explosiones y de lesiones.
- Las baterías pueden explotar en presencia de una fuente de inflamación, como una luz guía. Para reducir el riesgo de lesiones corporales serias, nunca use un producto inalámbrico en presencia de llamas expuestas. La explosión de una pila puede lanzar fragmentos y compuestos químicos. Si ha quedado expuesto a la explosión de una pila, lávese de inmediato con agua.
- No aplaste, deje caer o dañe la pila. Nunca utilice una pila o cargador que se ha caído, aplastado, recibido un golpe contundente o ha sido dañado(a) de alguna manera. Las baterías dañadas pueden sufrir explosiones. Deseche de inmediato toda pila que haya sufrido una caída o cualquier daño.
- Tenga cuidado cuando maneje baterías a fin de no realizar un cortocircuito en la batería con materiales conductores como anillos, brazaletes y llaves. La batería o el conductor pueden recalentarse y provocar quemaduras.
- Para obtener resultados óptimos, debe cargar la herramienta de baterías en un lugar donde la temperatura esté entre 50 °F y 100°F. No guarde la herramienta a la intemperie ni en el interior de vehículos.
- En condiciones extremas de uso o temperatura las baterías pueden emanar líquido. Si el líquido llega a tocarle la piel, lávese de inmediato con agua y jabón. Si le entra líquido en los ojos, láveselos con agua limpia por lo menos 10 minutos, y después busque de inmediato atención médica. Con el cumplimiento de esta regla se reduce el riesgo de lesiones corporales serias.
- No exponga la batería o herramienta al fuego o a temperaturas excesivas. La exposición al fuego o a una temperatura superior a los 130 °C (265 °F) puede provocar explosiones.
- Siga todas las instrucciones de carga y no cargue la batería ni el aparato fuera del rango de temperaturas especificado en las instrucciones. Si realiza la carga en forma inapropiada o fuera de la temperatura del rango especificado, puede dañar la batería y aumentar el riesgo de incendios.
- Asegúrese de que un técnico de reparación calificado haga el mantenimiento usando solo repuestos idénticos.
- De esta manera, mantendrá la seguridad del producto.
- No modifique ni intente reparar el dispositivo ni la batería (según corresponda), excepto como se indica en las instrucciones de uso y cuidado.

# REGLAS DE SEGURIDAD ESPECÍFICAS

- Reemplace la cuchilla desafilada o desgastada cuando el indicador de desgaste indique el reemplazo.
- Use esta recortadora de bordes a lo largo de aceras, caminos de entrada, macizos de flores y áreas similares. No la use para ningún otro propósito.
- Familiarícese completamente con todos los controles. Aprenda la forma de apagar la unidad y de desactivar los controles con rapidez.
- No utilice la recortadora de bordes en la lluvia en superficies de grava ni cerca de las mismas.
- Familiarícese con el área donde está cortando los bordes. Esté consciente del desnivel de las aceras, de todo agujero existente en el terreno y de toda condición peligrosa similar (Por ejemplo: alambre o cable, segmentos de los cuales pueden desprenderse y convertirse en peligrosos proyectiles). En terreno áspero siempre empuje lentamente el accesorio para recortar bordes.
- No intente retirar material cortado ni sujetar material por cortar mientras esté funcionando el motor o esté girando la hoja de corte.
- La hoja de corte puede causar lesiones en su giro de inercia después de apagar el motor o de soltar el gatillo del acelerador. Mantenga un control adecuado de la herramienta hasta que se detenga por completo la hoja de corte.
- Verifique que la tuerca de la hoja esté ajustada antes de utilizar.
- Si no se monta la unidad correctamente, se puede producir una situación peligrosa.
- Nunca debe pararse ni colocar ninguna parte de su cuerpo en la línea de corte de la hoja para cortar bordes.
- Si la recortadora bordes toca cualquier objeto extraño:
  - a) Apague la recortadora de bordes y desconecte el cable de la bujía o desconecte la unidad del suministro de corriente.
  - b) Inspeccione la para recortar bordes para ver si está dañado.
  - c) Corrija todo daño presente antes de utilizar la para cortar bordes. La inobservancia de esta advertencia puede causar lesiones corporales serias.
- Siempre apague el motor y retire el paquete de pilas antes de intentar retirar cualquier obstrucción atrapada o atorada en la hoja, antes de instalar cualquier accesorio o de realizar cualquier ajuste.
- Guarde estas instrucciones. Consúltelas con frecuencia y empléelas para instruir a otras personas que puedan utilizar esta herramienta. Si presta a alguien esta herramienta, facilítele también las instrucciones.












# SÍMBOLOS

Las siguientes palabras de señalización y sus significados tienen el objeto de explicar los niveles de riesgo relacionados con este producto.

SÍMBOLO	SEÑAL	SIGNIFICADO
	<b>PELIGRO:</b>	Indica una situación peligrosa, la cual, si no se evita, causará la muerte o lesiones serias.
	<b>ADVERTENCIA:</b>	Indica una situación peligrosa, la cual, si no se evita, podría causar la muerte o lesiones serias.
	<b>PRECAUCIÓN:</b>	Indica una situación peligrosa la cual, si no se evita, puede causar lesiones leves o moderadas.
	<b>AVISO:</b>	(Sin el símbolo de alerta de seguridad) Indica la información que se considera importante, pero no relacionada con lesiones potenciales (por ej. en relación a daños a la propiedad).

# SÍMBOLOS

Es posible que se empleen en este producto algunos de los siguientes símbolos. Le suplicamos estudiarlos y aprender su significado. Una correcta interpretación de estos símbolos le permitirá utilizar mejor y de manera más segura el producto.

SÍMBOLO	NOMBRE	DENOMINACIÓN/EXPLICACIÓN
	Alerta de seguridad	Indica un peligro posible de lesiones personales.
	Lea manual del operador	Para reducir el riesgo de lesiones, el usuario debe leer y comprender el manual del operador antes de usar este producto.
	Protección ocular	Siempre póngase protección ocular con protección lateral con la marca de cumplimiento de la norma ANSI Z87.1.
	Alerta de condiciones húmedas	No exponga la unidad a la lluvia ni la use en lugares húmedos.
	Peligro de corte	Mantenga las manos y los pies alejados de la hoja giratoria.
	Mantenga alejadas a las personas presentes	Mantenga alejados a los observadores a un mínimo de 15 m (50 pies) de distancia.
	Rebote	Mantenga los pies y las manos alejados de las aspas.
	Objetos lanzados	Objetos lanzados peligro ; Mantenga a los circunstantes a una distancia mínima de 15 m (50 pies).
	Giro de la hoja de corte	Sentido de rotación la hoja de corte
	Símbolo de reciclado	Este producto utiliza baterías de iones de litio (Li-ion). Es posible que algunas leyes municipales, estatales o federales prohíban desechar las baterías en la basura normal. Consulte a las autoridades reguladoras de desechos para obtener información en relación con las alternativas de reciclado y desecho disponibles.
	Corriente continua	Tipo o característica de corriente
$n_0$	Velocidad en vacío	Velocidad de rotación, en vacío
.../min	Por minuto	Revoluciones, carreras, velocidad superficial, órbitas, etc., por minuto
V	Volts	Voltaje
Hz	Hertz	Frecuencia (ciclos por segundo)
min	Minutos	Tiempo

# CARACTERÍSTICAS

## ESPECIFICACIONES DEL PRODUCTO

Motor .....	40 V, corr. cont.
Longitud de la hoja.....	203,2 mm (8 pulg.)
Profundidad del recorte.....	Adjustable entre 12,7 mm à 57,2 mm (1/2 pulg. y 2-1/4 pulg.)

## FAMILIARÍCESE CON EL PRODUCTO

Ve la figura 1.

El uso seguro que este producto requiere la comprensión de la información impresa en la producto y en el manual del operador así como ciertos conocimientos sobre el proyecto a realizar. Antes de usar este producto, familiarícese con todas las características de funcionamiento y normas de seguridad.

### PERILLA DE AJUSTE DE PROFUNDIDAD

La perilla de ajuste de profundidad permite al usuario controlar a profundidad del corte.

### RUEDA DE RECORTADORA DE BORDES

La rueda de recortadora de bordes permite un rendimiento de corte más estable al recortar bordes.

### SEGURO

Seguro integrado de apagado para evitar arranques accidentales.

## INTERRUPTOR DE VELOCIDAD

Esta herramienta tiene un selector de velocidad que le permite al operador elegir entre la velocidad ALTA o BAJA. Usar la velocidad baja durante su operación ayuda a prologar el tiempo de funcionamiento de la batería, mientras que usar la velocidad alta mejora la potencia y el desempeño.

### BOTÓN DE BLOQUEO DE LA CUCHILLA

El botón de bloqueo de la cuchilla evita que la cuchilla rote al aflojar o apretar el perno de la cuchilla.

## INTERRUPTOR DE GATILLO DE VELOCIDAD VARIABLE

Esta herramienta dispone de un interruptor de velocidad variable, el cual produce mayor velocidad cuanto mayor presión se aplica en el mismo. La velocidad se controla mediante la presión aplicada en el gatillo del interruptor.

# ARMADO

## DESEMPAQUETADO

Embarcamos este producto completamente armado.

- Extraiga cuidadosamente de la caja la producto y los accesorios. Asegúrese de que estén presentes todos los artículos enumerados en la lista de empaquetado.

### ADVERTENCIA:

No utilice este producto si alguna pieza incluida en la Lista de empaquetado ya está ensamblada al producto cuando lo desempaqueta. El fabricante no ensambla las piezas de esta lista en el producto. Éstas deben ser instaladas por el usuario. El uso de un producto que puede haber sido ensamblado de forma inadecuada podría causar lesiones personales graves.

- Inspeccione cuidadosamente la producto para asegurarse de que no haya sufrido ninguna rotura o daño durante el transporte.
- No deseche el material de empaquetado hasta que haya inspeccionado cuidadosamente la producto y la haya utilizado satisfactoriamente.
- Si hay piezas dañadas o faltantes, le suplicamos llamar al 1-800-525-2579, donde le brindaremos asistencia.

## LISTA DE EMPAQUETADO

Bordeadora  
Conjunto del mango  
Llave de hoja  
Llave hexagonal  
Manual del operador

### ADVERTENCIA:

Si faltan piezas, no utilice este producto sin haber reemplazado todas las piezas faltantes. Usar este producto con partes dañadas o faltantes puede causar lesiones serias al operador.

### ADVERTENCIA:

No intente modificar este producto ni hacer accesorios no recomendados para la misma. Cualquier alteración o modificación constituye maltrato el cual puede causar una condición peligrosa, y como consecuencia posibles lesiones corporales serias.

# ARMADO

## **ADVERTENCIA:**

Para evitar un arranque accidental que podría causar lesiones corporales serias, siempre desmonte de la herramienta el paquete de pilas al montarle piezas a aquélla.

## **CÓMO CONECTAR LOS TUBOS SUPERIOR E INFERIOR**

*Vea la figura 2.*

- Retire el paquete de baterías si está instalado.
- Afloje los dos tornillos del acoplador de la herramienta.
- Alinee el conector del extremo superior con el conector del extremo inferior de la herramienta.

- Deslice los conectores para unirlos y, con la llave hexagonal proporcionada, asegure los pernos y las tuercas. Ajuste firmemente.

**NOTA:** Oriente las tuercas de modo que queden sobre las áreas huecas de los conectores.

## **MONTAJE DEL MANGO DELANTERO**

*Vea la figura 3.*

- Retire la tuerca de mariposa del clip de la mango delantero.
- Instale el mango delantero sobre el lado superior del alojamiento del eje de impulsión.
- Inserte la lengüeta del soporte en la ranura del mango y alinee el orificio del soporte sobre el perno del mango.
- Vuelva tuerca de mariposa.
- Apriete firmemente la tuerca de mariposa.

# FUNCIONAMIENTO

## **ADVERTENCIA:**

No permita que su familiarización con las herramientas lo vuelva descuidado. Tenga presente que un descuido de un instante es suficiente para causar una lesión grave.

## **ADVERTENCIA:**

Siempre póngase protección ocular con protección lateral con la marca de cumplimiento de la norma ANSI Z87.1. La inobservancia de esta advertencia puede permitir que los objetos lanzados hacia los ojos y otros provoque lesiones graves.

## **ADVERTENCIA:**

Nunca use dispositivos móviles, alambre ni cuerdas en este producto. No utilice ningún aditamento o accesorio no recomendado por el fabricante de esta herramienta. El empleo de aditamentos o accesorios no recomendados podría causar lesiones serias.

## **AVISO:**

Antes de cada uso, inspeccione todo el producto para detectar partes dañadas, faltantes o sueltas, como tornillos, tuercas, pernos, tapas, etc. Apriete firmemente todos los sujetadores y las tapas y no accione este producto hasta que todas las partes faltantes o dañadas sean reemplazadas. Póngase en contacto con el servicio al cliente o con un centro de servicio calificado para obtener ayuda.

## **INSTALACIÓN DEL PAQUETE DE BATERÍAS**

*Vea la figura 4.*

## **ADVERTENCIA:**

Retire siempre el paquete de baterías de la herramienta antes de instalar las piezas, realizar ajustes o limpiarla. Retirar el paquete de baterías evitará que la unidad se accione accidentalmente y provoque lesiones graves.

- Introduzca el paquete de baterías en el receptáculo para baterías.

## **ADVERTENCIA:**

Asegúrese de que el pestillo del paquete de baterías insertada en su lugar y que el paquete de baterías esté totalmente asentado y firme en la recortadora de bordes antes de poner la máquina en funcionamiento. No asentar el paquete de baterías correctamente podría provocar que el paquete de baterías se caiga y cause lesiones personales graves.

# FUNCIONAMIENTO

## EXTRACCIÓN DEL PAQUETE DE BATERÍAS

Vea la figura 4.

- Oprima el pestillo del paquete de baterías.
- Retire el paquete de baterías.



### ADVERTENCIA:

Para evitar lesiones corporales serias, siempre desmonte de la herramienta el paquete de baterías y mantenga manos vacías del botón del seguro al llevar herramienta.

Para obtener instrucciones específicas de carga, lea el manual del operador que se incluye con el cargador y la batería.

## ENCENDIDO Y APAGADO DEL RECORTADORA DE BORDES

Vea la figura 5.

### Para encendido:

- Seleccione la velocidad de funcionamiento deseada (ALTA o BAJA).
- Mantenga presionado el gatillo de bloqueo mientras presiona el gatillo interruptor.

### Para apagado:

- Suelte el gatillo.
- Al soltar el gatillo, el gatillo con seguro regresa automáticamente a la posición de aseguramiento.



### PRECAUCIÓN:

La hoja de corte puede causar lesiones en su giro de inercia después de apagar el motor o de soltar el gatillo del acelerador. Mantenga un control adecuado de la herramienta hasta que se detenga por completo la hoja de corte.

## OPERACIÓN DEL RECORTADORA DE BORDES

Vea la figura 6.

- Sujete la cortadora de bordes con la mano derecha en el mango trasero y la izquierda en el delantero.
- Mantenga un agarre firme con ambas manos mientras utiliza el producto.
- Debe sostenerse la cortadora de bordes en una posición cómoda, con el mango trasero aproximadamente a la altura de la cadera.

- La cortadora de bordes corta a lo largo de aceras, caminos de entrada, macizos de flores, bordillos y áreas similares.
- Efectúe el corte a un paso estable. Si la lame se met a peinar, c'est que la vitesse de travail est trop rapide; il faut la réduire. No fuerce la hoja a entrar en la tierra.
- Si la cuchilla hace contacto con el borde de la acera, el bordillo, etc., detenga la bordeadora, retire la batería y verifique que la cuchilla no esté dañada. No continúe usando una cuchilla dañada. El uso continuo de una hoja dañada puede resultar en la falla de la herramienta.
- Se logra el mejor aspecto cuando está seco el pasto. Evite cortar bordes en áreas donde esté húmeda la tierra o el pasto, o de lo contrario podría atascarse la protección de la hoja, con el consiguiente borde desigual resultante. Si se atasca la protección de la hoja, apague el motor, retire el paquete de baterías y limpie la protección.



### ADVERTENCIA:

Siempre sujete la recortadora de bordes lejos del cuerpo, manteniendo un espacio entre el cuerpo y la herramienta. Cualquier contacto con el cabezal del recortadora de bordes con hojas con la recortadora en funcionamiento puede causar lesiones personales de gravedad.

## PARA AJUSTAR LA PROFUNDIDAD DE LA HOJA

Vea las figuras 7 y 8.

- Retire el paquete de baterías.
- Afloje la perilla de ajuste de la profundidad; para ello, gírela a la izquierda.
- Mueva el conjunto de las ruedas hacia arriba para aumentar la profundidad de la cuchilla o hacia abajo para disminuir la profundidad de la cuchilla.
- Apriete la perilla de ajuste de la profundidad; para ello, gírela a la derecha.
- Vuelva a colocar el paquete de baterías.

**NOTA:** Inicialmente ajuste la profundidad de la hoja de 13 mm a 25 mm (de 1/2 pulg. a 1 pulg.). Efectúe un corte superficial para probar la profundidad de corte. Si la profundidad de corte necesita ajuste, debe efectuarse de manera progresiva hasta lograrse la profundidad deseada.

# MANTENIMIENTO

## **ADVERTENCIA:**

Para evitar lesiones serias, siempre retire el paquete de baterías de la herramienta cuando la limpie o durante cualquier mantenimiento.

## **ADVERTENCIA:**

Siempre póngase protección ocular con protección lateral con la marca de cumplimiento de la norma ANSI Z87.1 junto con protección para los oídos. La inobservancia de esta advertencia puede permitir que los objetos lanzados hacia los ojos y otros provoque lesiones graves.

## **ADVERTENCIA:**

Al dar servicio a la unidad, sólo utilice piezas de repuesto idénticas. El empleo de piezas diferentes puede causar un peligro o dañar el producto.

## **AVISO:**

Inspeccione periódicamente todo el producto para detectar partes dañadas, faltantes o sueltas, como tornillos, tuercas, pernos, tapas, etc. Apriete firmemente todos los sujetadores y las tapas y no accione este producto hasta que todas las partes faltantes o dañadas sean reemplazadas. Póngase en contacto con el servicio al cliente o con un centro de servicio calificado para obtener ayuda.

## MANTENIMIENTO GENERAL

Evite el empleo de solventes al limpiar piezas de plástico. La mayoría de los plásticos son susceptibles a diferentes tipos de solventes comerciales y pueden resultar dañados. Utilice paños limpios para eliminar la suciedad, el polvo, el aceite, la grasa, etc.

## **ADVERTENCIA:**

No permita en ningún momento que fluidos para frenos, gasolina, productos a base de petróleo, aceites penetrantes, etc., lleguen a tocar las piezas de plástico. Los productos químicos pueden dañar, debilitar o destruir el plástico, lo cual puede causar lesiones serias.

## REEMPLAZO DEL LAS HOJA

Vea la figura 9.

Reemplace las cuchillas cuando parezcan gastadas o cuando note que el rendimiento de la bordeadora disminuye.

**NOTA:** Utilice siempre guantes al manipular la cuchilla.

- Quite la batería.
- Usando la llave de hoja (incluida), gire la tuerca de la cuchilla hacia la izquierda para aflojarla.
- Mantenga presionado el botón de bloqueo de la cuchilla mientras la gira hasta que quede bloqueada.
- Quite la cuchilla vieja del eje del motor.
- Limpie la suciedad del área.
- Centre la nueva cuchilla asegurándose de que quede plana sobre la carcasa.
- Vuelva a instalar la arandela y la tuerca de la hoja, y ajuste firmemente.
- Apriete la tuerca de la cuchilla derecha usando una llave dinamométrica (no suministrada) para asegurar que el perno esté apretado correctamente. La fuerza de torsión recomendada para la tuerca de la cuchilla es de 9,4-10,8 lb-pulg.

**NOTA:** Si no dispone de una llave dinamométrica, utilice la llave de hoja suministrada para ajustar la conexión completamente y de forma segura.

Esta pieza de reemplazo está disponible en el lugar de la compra, o llamando al 1-800-525-2579.

## **ADVERTENCIA:**

Cada vez antes de usar la unidad asegúrese de que la hoja esté instalada correctamente y firmemente asegurada. Si no instala correctamente la hoja, puede provocar lesiones personales graves.

## ALMACENAMIENTO DE LA RECORTADORA DE BORDES

- Extraiga el paquete de la batería del cabezal eléctrico antes de guardarlo.
- Limpie toda materia extraña presente en la recortadora de bordes.
- Almacene la unidad en un espacio inaccesible a los niños.
- Mantenga la unidad alejada de agentes corrosivos como los productos químicos para el jardín y las sales para derretir el hielo.

## REPUESTOS

Llame a Servicio al cliente al 1-800-525-2579 para solicitar repuestos.

Hoja de repuesto ..... AC04215

# SOLUCIÓN DE PROBLEMAS

PROBLÈME	CAUSA POSIBLE	SOLUTION
Le moteur ne démarre pas quand change la gâchette.	La batería no está fija.  La batería no está cargada.	Para fijar el paquete de baterías, asegúrese de que los pestillos situados a ambos lados del paquete de baterías entren completamente en su lugar con un chasquido.  Cargue el paquete de baterías según las instrucciones incluidas con su modelo.



## LLÁMENOS PRIMERO

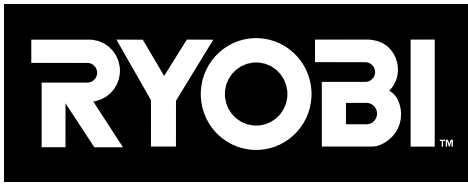
¡Si tiene preguntas sobre el funcionamiento o el mantenimiento del producto, llame al teléfono de atención al consumidor de Ryobi!

Este producto ha sido probado enteramente antes de embarcarse para asegurar la completa satisfacción del consumidor.

**Este producto tiene una garantía limitada de cinco años para fines personales, familiares o domésticos (90 días para usos trabajo o comercial). Para obtener detalles sobre la garantía, diríjase a [www.ryobitools.com](http://www.ryobitools.com) o llame sin cargo al 1-800-525-2579.**







# OPERATOR'S MANUAL

MANUEL D'UTILISATION / MANUAL DEL OPERADOR

## 40V EDGER

COUPE-BORDURES DE 40 V

RECORTADORA DE BORDES DE 40 V

RY40708

- **PARTS AND SERVICE:** Prior to requesting service or purchasing replacement parts, please obtain your item, manufacturing, and serial numbers from the product data plate.

ITEM NO.\* \_\_\_\_\_ MANUFACTURING NO. \_\_\_\_\_

SERIAL NO. \_\_\_\_\_

\* Model/item number on product may have additional letters at the end. These letters designate manufacturing information and should be provided when calling for service.

**HOW TO OBTAIN REPLACEMENT PARTS:** Replacement parts can be purchased online at [www.ryobitools.com](http://www.ryobitools.com) or by calling 1-800-525-2579. Replacement parts can also be obtained at one of our service centers.

**HOW TO LOCATE A SERVICE CENTER:** Service centers can be located online at [www.ryobitools.com](http://www.ryobitools.com) or by calling 1-800-525-2579.

**HOW TO OBTAIN CUSTOMER OR TECHNICAL SUPPORT:** To obtain customer or technical support please contact us at 1-800-525-2579.

RYOBI is a trademark of Ryobi Limited and is used pursuant to a license granted by Ryobi Limited.

- **PIÈCES ET SERVICE :** Avant de faire la demande de service ou l'achat de pièces de remplacement, veuillez obtenir le numéro d'article, le numéro de fabrication et le numéro de série à partir de la plaque de données du produit.

NUMÉRO D'ARTICLE\* \_\_\_\_\_ NUMÉRO DE FABRICATION \_\_\_\_\_

NUMÉRO DE SÉRIE \_\_\_\_\_

\* Le numéro de modèle/article sur le produit peut contenir des lettres supplémentaires à la fin. Ces lettres désignent les informations du fabricant et doivent être fournies lors d'un appel de demande de service.

**COMMENT OBTENIR LES PIÈCES DE REMPLACEMENT :** Les pièces de remplacement peuvent être achetées en ligne sur le site [www.ryobitools.com](http://www.ryobitools.com) ou par téléphone au 1-800-525-2579. Les pièces de remplacement peuvent être obtenues à un de nos centres de service.

**COMMENT TROUVER UN CENTRE DE SERVICE :** Les centres de service peuvent être localisés en ligne au [www.ryobitools.com](http://www.ryobitools.com) ou en téléphonant au 1-800-525-2579.

**COMMENT OBTENIR DE L'AIDE EN CONTACTANT LE SERVICE À LA CLIENTÈLE :** Pour contacter le service à la clientèle pour une question technique ou pour tout autre renseignement, veuillez nous téléphoner au 1-800-525-2579.

RYOBI est une marque de Ryobi Limited et est utilisée en vertu d'une licence accordée par Ryobi Limited.

- **PIEZAS DE REPUESTO Y SERVICIO:** Antes de solicitar servicio técnico o comprar piezas de repuesto, obtenga su número de artículo, el número de fabricación y el número de serie de la placa de datos del producto.

NÚMERO DE ARTÍCULO\* \_\_\_\_\_ NÚMERO DE FABRICACIÓN \_\_\_\_\_

NÚMERO DE SERIE \_\_\_\_\_

\* El número de modelo/artículo que figura en el producto podría tener letras adicionales al final. Estas designan información de fabricación y deben suministrarse cuando llame para obtener asistencia o servicio.

**CÓMO OBTENER PIEZAS DE REPUESTO:** Las piezas de repuesto se pueden comprar en nuestro sitio en la red mundial, en la dirección [www.ryobitools.com](http://www.ryobitools.com) o llamando al 1-800-525-2579. Las piezas de repuesto también se pueden obtener en uno de nuestros centros de servicio.

**CÓMO LOCALIZAR UN CENTRO DE SERVICIO:** Puede encontrar los centros de servicio visitando nuestro sitio en la red mundial, en la dirección [www.ryobitools.com](http://www.ryobitools.com) or by calling 1-800-525-2579.

**CÓMO OBTENER SERVICIO O ASISTENCIA TÉCNICA AL CONSUMIDOR:** Para obtener servicio o asistencia técnica al consumidor, sírvase comunicarse con nosotros llamando al 1-800-525-2579.

RYOBI es una marca de Ryobi Limited y se utiliza conforme a una licencia otorgada por Ryobi Limited.

**TTI OUTDOOR POWER EQUIPMENT, INC.**

P.O. Box 1288, Anderson, SC 29622, USA

1-800-525-2579 • [www.ryobitools.com](http://www.ryobitools.com)

999000147

11-30-22 (REV:01)