

Measuring your desired awning location is the first step in customizing your Eos awning.

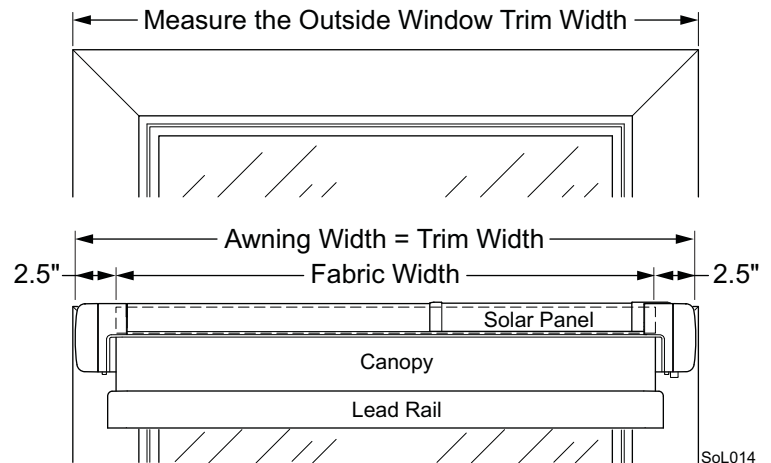
NOTE: The awning width specified when ordering is equal to the total outside product width as shown. Eos awnings are available from 39" to 120" in half-inch increments, or in centimeters from 99cm to 305cm.

WINDOWS WITH EXTERIOR TRIM

- Measure the outside width of the exterior window trim.
- Round down this measurement to the nearest half-inch (or centimeter) increment.

Example: Measurement = 43.25" use 43"

This is the order width for your awning.



Refer to Mounting Requirements described below

WINDOWS WITHOUT EXTERIOR TRIM

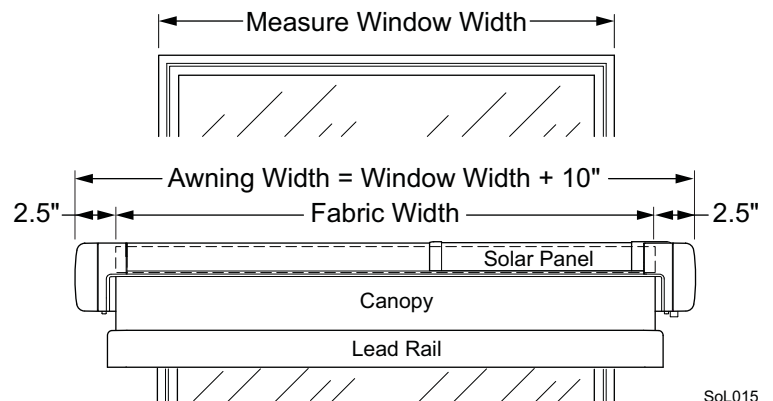
- Measure the outside width of the window.
- Round down this measurement to the nearest half-inch (or centimeter) increment.

Example: Measurement = 33.25" use 33"

- Add 10" to this measurement. Ensure the required mounting area conforms to the Mounting Requirements.

Example: 33" + 10" = 43"

This is the order width for your awning.

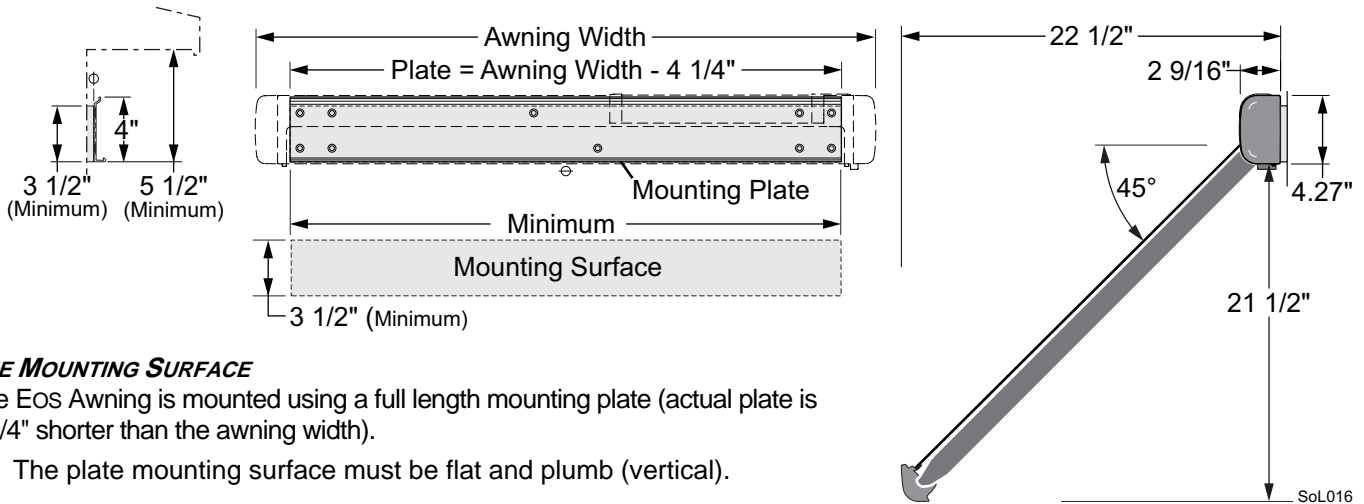


Refer to Mounting Requirements described below

MOUNTING REQUIREMENTS

THE MOUNTING AREA

- The mounting area must be flat and free of obstructions (such as lights, wires etc.)
- The area in front of the window must also be free of obstructions (such as tree branches, poles etc.) that would prevent the awning from opening. Dimensions are shown below.



THE MOUNTING SURFACE

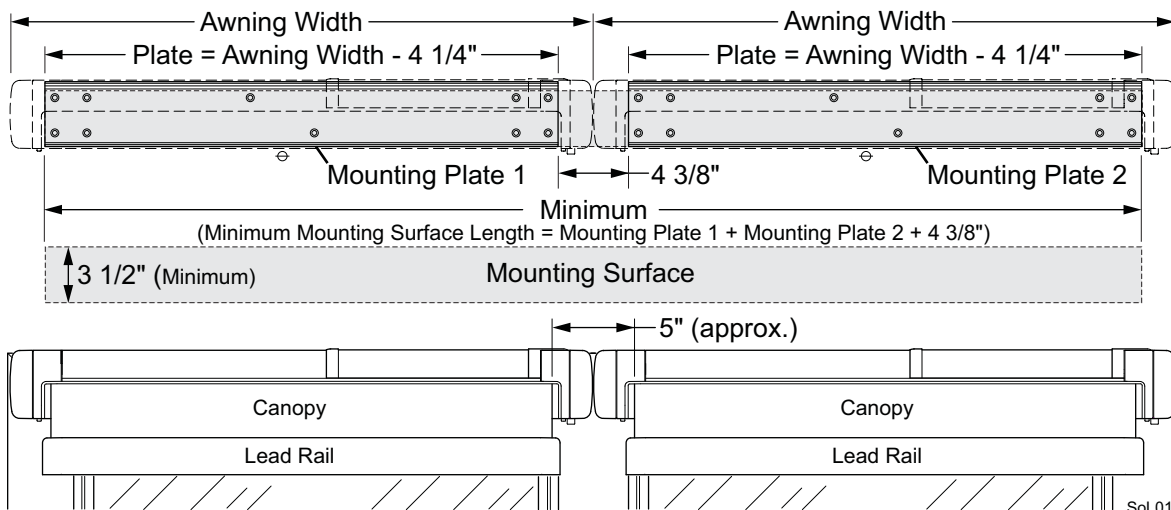
The EOS Awning is mounted using a full length mounting plate (actual plate is 4 1/4\"

- The plate mounting surface must be flat and plumb (vertical).
- The minimum mounting surface for the plate equals the length of the plate (varies with awning width) and 3.5\"
- The location of the bottom of the mounting bracket should be a minimum of 5.5\"
- Once mounted, the plate must be flat, level and plumb to allow for proper attachment of the awning to the plate and for correct operation of the awning.

NOTICE The mounting plate **MUST** be mounted flat to allow the awning to snap on easily. If any extra force is required to engage the latches, the mounting plate is not flat and will require shimming. Failure to do so will result in improper operation of the awning.

MULTIPLE AWNINGS

The EOS Awning is available up to 120\"



AWNING POSITION AND THE SUN

The solar panel located on the top right of the awning is used to charge the EOS battery and provides light level sensing for the autonomous functions (auto extend and retract).

If the awning is mounted in a shaded area, such as directly under an eave, the solar panel functions may not be as responsive. For these cases, an auxiliary solar panel can be purchased and installed in direct sunlight to increase sun level sensitivity and provide improved battery charging.

The auxiliary solar panel can be installed during the original installation or can be added after installation if needed.

