

KÄRCHER

makes a difference

VCN Cordless Stick Vacuum

VCN 3 - 1.012-910.0

VCN 4 - 1.012-911.0

VCN 5 - 1.012-912.0

Operator Manual

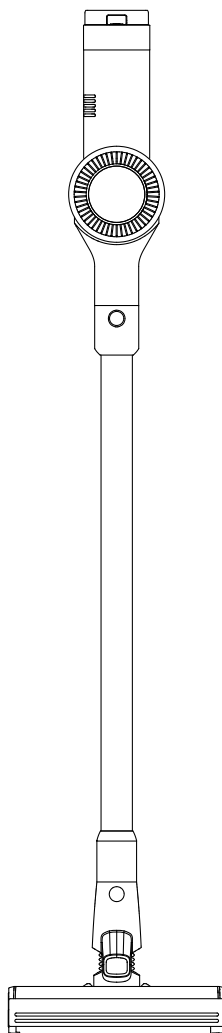
Cordless Stick Vacuum 2

Manuel D'utilisation

Aspirateur-balai sans fil 22

Manual De Usuario

Aspiradora Inalámbrica 43



Register
your product
www.kärcher.com/welcome

Cleaner. Quicker.™



9.808-379.0-B 04/23

VCN Cordless Stick Vacuum Cleaners

Contents

Safety Instructions	2
Intended Use	4
Environmental Protection.	5
Customer Service	6
Scope of Delivery.	7
Packing List	8
Connecting and Operating Elements.	8
Assembly	9
Accessory Installation	11
Operation	13
Cleaning and Maintenance	17
Technical Data	20
Troubleshooting	21

WARNING

Indicates “a potentially hazardous situation which, if not avoided, could result in death or injury.”

CAUTION

Indicates “a potentially hazardous situation which, if not avoided, may result in minor or moderate injury or in property damage incidents.”

Important Safety Instructions

When using this product, basic precautions should always be followed, including the following:

WARNING

Read all the instructions before using the product.

For household use only. To reduce the risk of fire, electric shock or injury:

- Turn off all controls before unplugging.
- Unplug from outlet before servicing.
- Do not allow to be used as a toy. Close attention is necessary when used by or near children.
- This device can be used by children aged from 8 years and above and persons with reduced physical, sensory or mental capabilities or lack of experience and knowledge if they have been given supervision or instruction concerning use of the



**READ AND COMPLY
WITH ALL
INSTRUCTIONS
BEFORE USING THIS
MACHINE.
SAVE THESE
INSTRUCTIONS**

Safety Instructions

Hazard Levels

DANGER

Indicates “an imminently hazardous situation which, if not avoided, will result in death or serious injury.”

device in a safe way and understand the hazards involved.

- Cleaning and user maintenance shall not be made by children without supervision.
- Use only as described in this manual.
- Use only manufacturer's recommended attachments.
- Do not use with damaged cord or plug. If the device is not working as it should, has been dropped, damaged, left outdoors, or dropped into water, please contact Customer Service. Select the prompts for warranty services.
- Do not unplug by pulling on cord. To unplug, grasp the plug, not the cord.
- Do not handle plug or device with wet hands.
- Do not put any object into openings. Do not use with any opening blocked; keep free of dust, lint, hair, and anything that may reduce air flow.
- Keep hair, loose clothing, fingers, and all parts of body away from openings and moving parts.
- Use extra care when cleaning on stairs.
- Do not use to pick up flammable or combustible liquids, such as gasoline, or use in areas where they may be present.

CAUTION

Risk of injury. Brush may start unexpectedly. Remove the device from the charging station and/or unplug the device from the charger before cleaning or maintenance.

- Always turn off this device before connecting or disconnecting motorized nozzle.

- Do not pick up anything that is burning or smoking, such as cigarettes, matches, or hot ashes.
- Do not use without dust bin and filters in place.

CAUTION

- Protect the device from extreme weather conditions, moisture and heat.
- Operating temperature range: 41 -104 °F (5 - 40 °C)
- Storage temperature range: -4 -113 °F (-20 - 45 °C)

WARNING

Read all safety warnings and instructions. Failure to follow the warnings and instructions may result in electric shock, fire and/or serious injury.

- Disconnect the battery pack from the appliance before making any adjustments, changing accessories, or storing appliance. Such preventive safety measures reduce the risk of starting the appliance accidentally.
- For use only with battery pack type:
For VCN 3 Cordless - 8.759-984.0
For VCN 4 Cordless and VCN 5 Cordless - 8.759-985.0
- Prevent unintentional starting. Ensure the switch is in the off position before connecting to the battery pack, picking up or carrying the device. Carrying the device with your finger on the switch or charging the device while the power switch is on may result in an accident or injury.
- Recharge only with the charger specified by the manufacturer. A

charger that is suitable for one type of battery pack may create a risk of fire when used with another battery pack.

- Use devices only with specifically designated battery packs. Use of any other battery packs may create a risk of injury and fire.
- When battery pack is not in use, keep it away from other metal objects, like paper clips, coins, keys, nails, screws or other small metal objects, that can make a connection from one terminal to another. Shorting the battery terminals together may cause burns or a fire.
- Under abusive conditions, liquid may be ejected from the battery; avoid contact. If contact accidentally occurs, flush with water. If liquid contacts eyes, additionally seek medical help. Liquid ejected from the battery may cause irritation or burns.
- Do not use a battery pack or device that is damaged or modified. Damaged or modified batteries may exhibit unpredictable behavior resulting in fire, explosion or risk of injury.
- Do not expose a battery pack or device to fire or excessive temperature. Exposure to fire or temperature above 265°F (130°C) may cause explosion.
- Follow all charging instructions and do not charge the battery pack or device outside of the temperature range specified in the instructions. Charging improperly or at temperatures outside of the specified range may damage the battery and increase the risk of fire.
- This device contains batteries that are only replaceable by skilled persons.

- Have servicing performed by a qualified repair person using only identical replacement parts. This will ensure that the safety of the product is maintained.
- Do not modify or attempt to repair the device or the battery pack except as indicated in the instructions for use and care.

CAUTION

- Never use the device without a filter. This can lead to device damage.
- Do not use scouring agents, glass or multi-purpose cleaner for cleaning.
- The device must not be operated outdoors or on wet surfaces.

Charger

WARNING

- Only charge the device using the original charger enclosed or with a charger approved by KÄRCHER.

Device type:

VCN 3 - 1.012-910.0

VCN 4 - 1.012-911.0

VCN 5 - 1.012-912.0

Use the following adapter:
8.759-983.0 Battery charger

Intended Use

The device is intended for household use only and not for commercial purposes.

NOTE: The manufacturer accepts no liability for possible damage caused by improper use or incorrect operation.

The device may only be fitted with original spare parts, original accessories and original special accessories.

NOTE: You must first read and comprehend the operating manual and safety instructions before using the device. Ensure that users who do not speak fluent English receive an explanation of the operating manual and safety instructions in their native language and fully comprehend both. Ensure that the operating manual and safety instructions are available for reference at all times.

Owner/User Responsibility

The owner and/or user must have an understanding of the manufacturer's operating instructions and warnings before using this device.

Warning information should be emphasized and understood.

If the operator is not fluent in English, the manufacturer's instructions and warnings shall be read to and discussed with the operator in the operator's native language by the purchaser/owner, making sure that the operator comprehends its contents. Owner and/or user must study and maintain for future reference the manufacturer's instructions.

Improper Use

- Vacuuming of:
 - Substances that are harmful to health, have sharp edges, are hot or glimmering
 - Moist or liquid substances
 - Easily inflammable or explosive substances or gases

Environmental Protection



The packing materials can be recycled. Please dispose of packaging in accordance with the environmental regulations.



Electrical and electronic devices contain valuable, recyclable materials and often components such as batteries, rechargeable batteries or oil, which - if handled or disposed of incorrectly - can pose a potential threat to human health and the environment. However, these components are required for the correct operation of the device. Devices marked by this symbol are not allowed to be disposed of together with household trash.

Notes on the content materials (REACH)

Current information on content materials can be found at:
www.kaercher.com/REACH

SAVE THESE INSTRUCTIONS

Customer Service

Registration

Your device must be registered in order to help with any questions or issues that you have. You can register your device at **www.karcher-[### Warranty](http://www.karcher-register.com if located in the U.S.A., www.karcher.com/ca if located in Canada, or www.karcher.com/mx if located in Mexico.</p></div><div data-bbox=)**

In the case of a warranty claim, you can contact customer support. Please see the contact information listed below for either the USA, Canada, or Mexico. You **MUST** provide your proof of purchase in order to file a warranty claim either via email, phone, or fax.

Your VCN 3/4/5 vacuum is covered by a 3 year bumper to bumper warranty for residential use (commercial use is not covered). Please see warranty details at the VCN landing page reachable through the QR code on the machine.

USA Customer Service

You can contact our Customer Service department by phone at **1-800-537-4129** or via the website at **www.karcher-help.com**.

Canada Customer Service

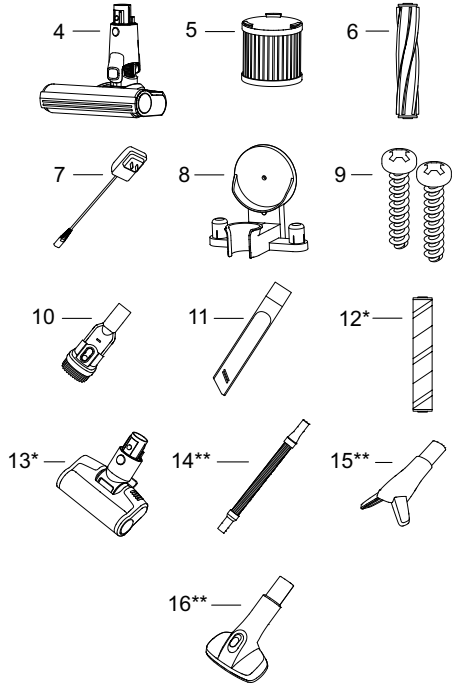
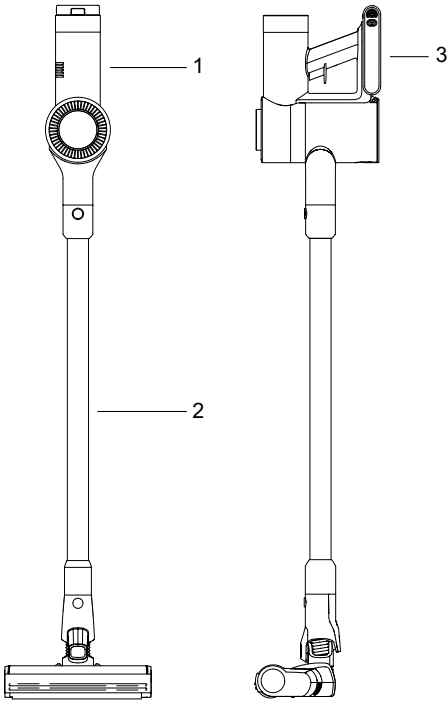
You can contact our Customer Service department by phone at **1-800-465-4980** or via the website at **www.karcher.com/ca**.

Mexico Customer Service

You can contact our Customer Service department by phone at **01-800-024-13-13** or via the website at **www.karcher.com/mx**.

Scope of Delivery

Box Contents



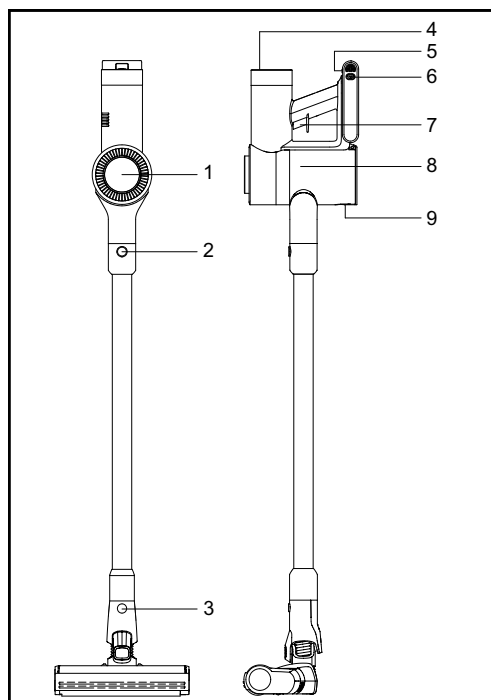
Note: * VCN 4 & 5 Only, ** VCN 5 Only

1. Hand-held vacuum cleaner
2. Connecting tube
3. Battery pack
4. Floor brush
5. HEPA Filter Assembly
6. Multi-Purpose Roller Brush
7. Battery charger
8. Wall storage mount
9. Screws (storage mount)
10. 2-in-1 dusting brush

11. Crevice tool
12. Hard Floor Fluffy Roller
13. Upholstery brush
14. Stretch hose
15. Upholstery tool
16. Pet brush

Packing List

Model:	VCN 3 Cordless	VCN 4 Cordless	VCN 5 Cordless
Part Number:	1.012-910.0	1.012-911.0	1.012-912.0
Wall Storage Mount:	1	1	1
Battery Charger	1	1	1
Replaceable/Removable Li-Ion Battery	1 (2500 mAh)	1 (3000 mAh)	1 (3000 mAh)
Connecting tube	1 (Black)	1 (Siver)	1 (White)
Floor Brush	1	1	1 (w/LED)
Crevice Tool	1	1	1
2-in-1 Dusting brush	1	1	1
Multi-Purpose Roller Brush	1	1	1
Hard Floor Fluffy Roller		1	1
Upholstery Brush		1	1
Stretch Hose			1
Pet Brush			1
Upholstery Tool			1



Connecting and Operating Elements

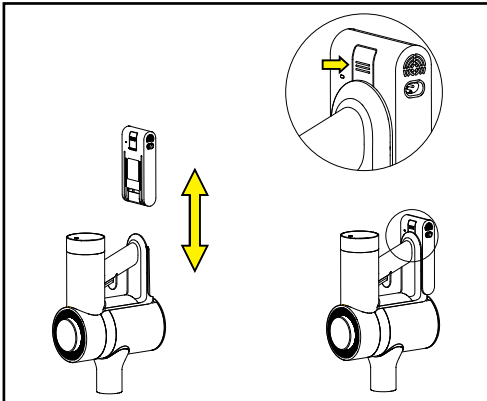
1. HEPA filter assembly
2. Tube release button
3. Floor brush release button
4. Speed control button
5. Battery pack release button
6. Charging port
7. On/Off button
8. Dust bin
9. Dust bin bottom cover release button

NOTE: Please turn off the power during assembly and disassembly of the product.

Assembly

Battery Pack Install and Removal

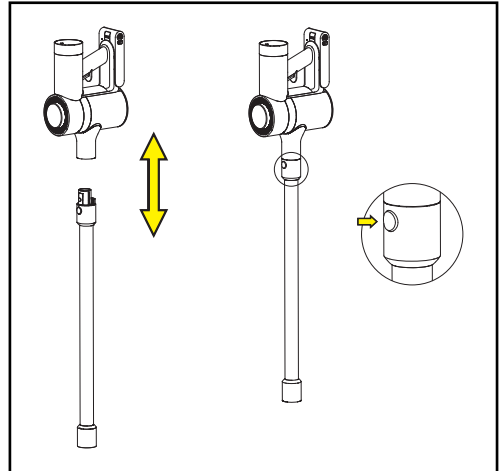
1. Hold the battery pack and insert it along the guide groove. After hearing a “click”, make sure that the battery pack is tight, secure, and locked into place.
2. To remove the battery pack, press the battery pack release button and pull the battery pack in the opposite direction. (Besides replacing the battery pack, the battery pack does not need to be removed from the machine.)



Disassembly and Assembly of Connecting Tube

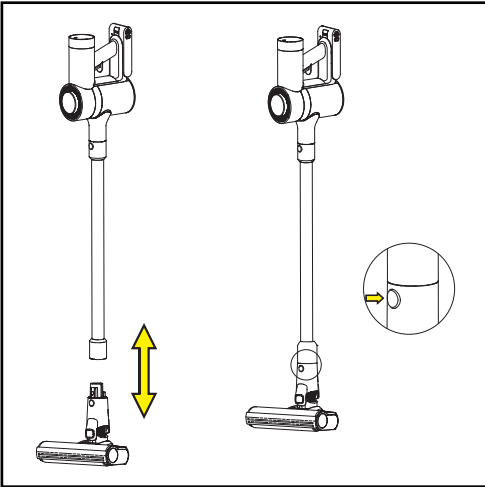
1. Align the button end of the connecting tube and insert it into the port of the hand held vacuum cleaner. After it clicks into place, make sure that the connecting tube is tight and secure.

2. To remove the connecting tube, press the release button on the connecting tube (as shown in the figure). Then pull the connecting tube out of the vacuum cleaner.



Disassembly and Assembly of Floor Brush

1. Align the upper connector of the floor brush with the end of the connecting tube (without button) and insert it into the port of the tube. After it clicks into place, make sure that the floor brush is tight and secure.
2. If you want to remove the floor brush, press the release button on the floor brush (as shown in the figure) and pull the floor brush out of the tube.



NOTE: Take the weight of the device and the loading capacity of the installation location into account when selecting the fasteners.

! WARNING

Risk of electric shock and injuries

Make sure there are no electrical cables, water or gas pipes in the wall around the mounting area.

Wall Storage Mount Installation

For convenient storage of the hand-held vacuum cleaner and its accessories, this product includes a storage mount specifically designed to hang and store the device.

NOTE: Mount the wall bracket at a suitable point using the screws supplied. (Add wall anchors if you deem necessary to secure the mount to the wall).

1. Put the assembled hand-held vacuum cleaner into the mount and stand the hand-held vacuum cleaner upright, near the ground. The height should be high enough so that the floor brush of the assembled vacuum cleaner does not touch the ground.
2. Once the correct height for the mount is determined, holding the mount in place, remove the hand-held vacuum cleaner, mark the hole placement in the center of the mount, place the screw, and tighten it until snug against the wall.
3. After the center screw is installed, make sure the mount is level and then mark the lower hole, place screw, and tighten until snug against the wall.

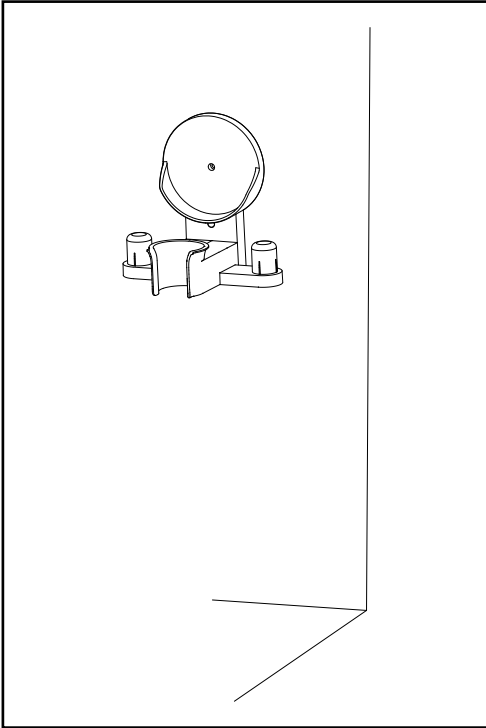
! CAUTION

Material damage due to incorrect installation

NOTE: Incorrect installation can damage the device, wall, and the floor covering if it falls.

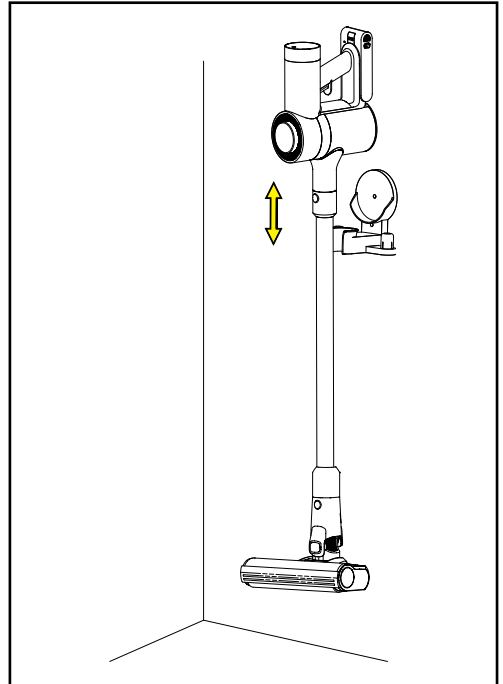
NOTE: Use suitable mounting tools for wall mounting.

NOTE: Please do not install the mount onto a wall that regularly gets wet.



Using the Wall Storage Mount

1. While holding the connecting tube of the vacuum, lift the machine up. With the bottom of the dust bin facing the wall, place the connecting tube into the mount, and gently rest the top of the machine onto the mount.
2. When you are ready use the machine, take the machine out of the mount by grabbing the connecting tube with your hand and lifting the machine up.



Accessory Installation

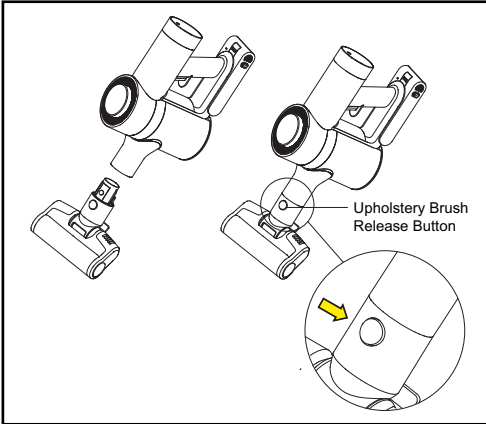
This product comes equipped with accessories to optimize the vacuum cleaner for a variety of purposes. The accessories can either be used with the hand-held part of the vacuum or can connect to the connecting tube when attached to the vacuum.

Upholstery Brush

1. Connect the hand-held vacuum cleaner to the upholstery brush.
2. Align the upholstery brush connector and insert it into the port of the hand-held vacuum cleaner. After it clicks into place, make sure that the upholstery brush is tight and secure. If you want to remove the upholstery brush, just press the release button

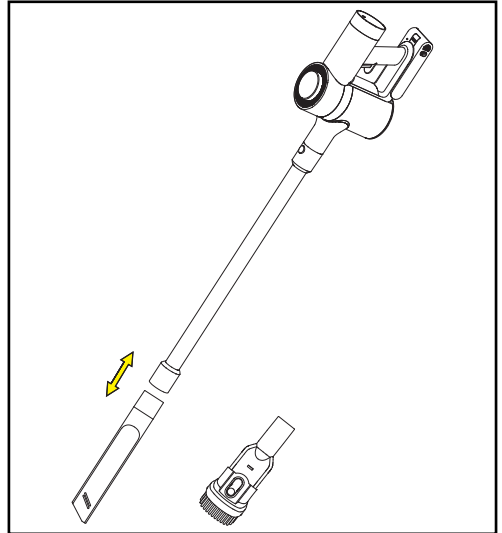
on the upholstery brush (as shown in the figure) and then pull the upholstery brush out of the vacuum.

2. To connect the hand-held vacuum cleaner to the crevice tool or the two-in-one brush attachment with the conductive metal tube: Align the circular port of either the crevice tool or the two-in-one brush attachment with the suction port of the hand-held vacuum cleaner, and then insert it into the position in the direction shown in the figure.



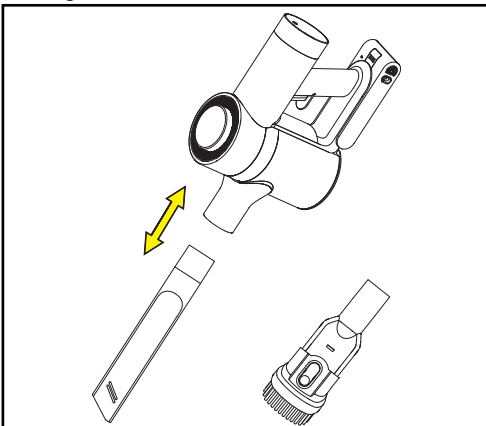
Crevice Tool and 2-in-1 Dusting Brush

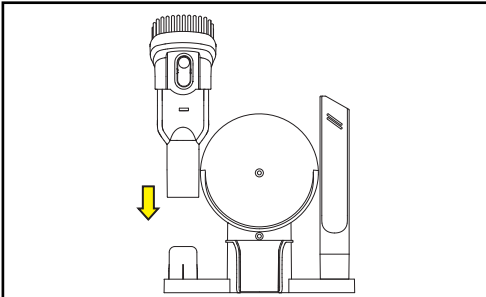
1. To connect the hand-held vacuum cleaner to the crevice tool or the two-in-one brush attachment: Align the circular port of the crevice tool or the two-in-one brush attachment with the suction port of the hand-held vacuum cleaner, and then insert it into position in the direction shown in the figure.



Accessory Storage

Please install the mount on a clean wall in advance (As shown in the “Wall Storage Mount installation” section). When you are done using the accessories, they can be conveniently stored onto the mount.





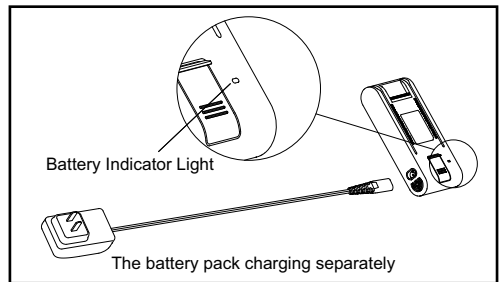
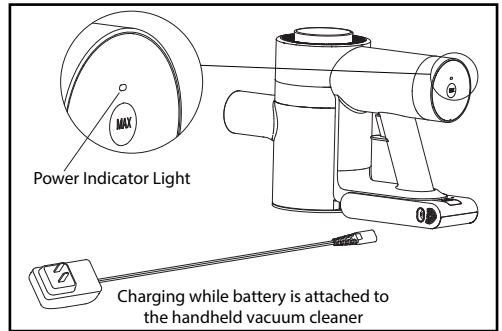
Operation

Charging the Machine VCN 3

Please charge the vacuum cleaner before the battery dies. If the voltage is too low, the vacuum cleaner will automatically shut off to protect the battery.

1. Insert the adapter into the charging port of the battery pack and connect it to the AC power source to charge.
2. When the battery pack is inserted into the hand-held vacuum cleaner to charge, the hand-held vacuum cleaner indicator light displays as follows: when the red light is flashing, it is charging; when the light turns green, it is fully charged. The battery pack can also be removed from the hand-held vacuum cleaner for charging.

The power indicator light on the battery pack displays as follows: when the red light is flashing, it is charging; when the light turns green, it is fully charged.



NOTE: Before using the machine for the first time, please make sure the battery is fully charged. During the first use, please use the machine until the battery life is depleted to ensure the battery pack's service life.

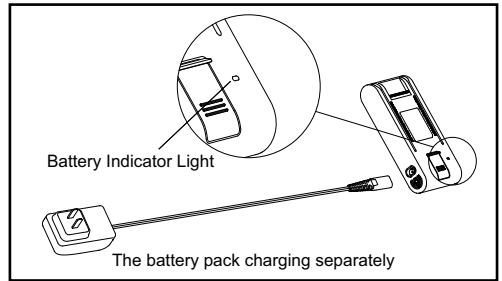
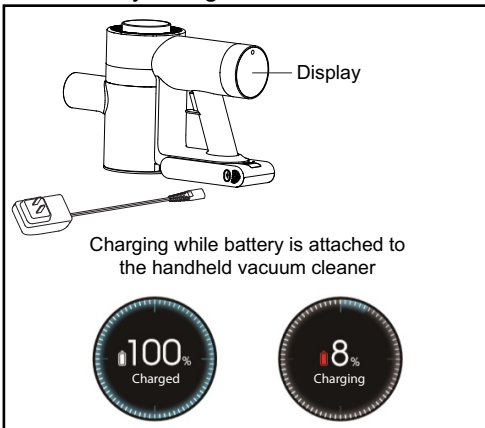
NOTE: If the machine will not be in use and stored for a longer period, please charge the product once every three months. Make sure to use the provided adapter for charging.

NOTE: When the machine is not charging, please remove the charging adapter from the socket.

Charging the Machine VCN 4 & VCN 5

Please charge the vacuum cleaner before the battery dies. If the voltage is too low, the vacuum cleaner will automatically shut off to protect the battery.

1. When the battery pack is inserted into the hand-held vacuum cleaner for charging, the display screen of the hand-held vacuum cleaner shows the current power and “Charging” on the display during charging.
2. The battery pack can also be removed from the hand-held vacuum cleaner for charging. When charging, the power indicator light on the battery pack displays as follows: when the red light is flashing, it is charging; when the light turns green, it is fully charged.

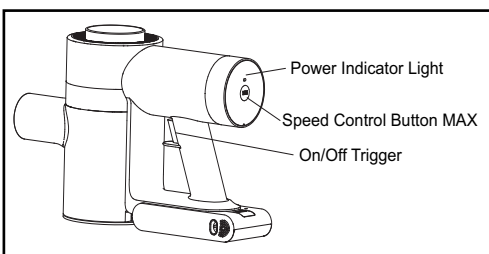


Initial Start-Up VCN 3

When using the hand-held vacuum cleaner, the on/off trigger turns the vacuum cleaner on or off.

1. Pull the on/off trigger to turn the machine on. The power indicator light will display steady green. The default speed once powered on is ECO mode; press the speed control button (MAX) to switch to MEDIUM mode, press the speed control button (MAX) again to switch to MAX mode.
2. Pressing the speed control button alternates speeds based on the ECO-MEDIUM-MAX pattern.
3. Finally, pull the on/off trigger to turn the machine off.

NOTE: When the power is less than 20%, the machine will automatically switch to energy-saving mode, and it will switch to the ECO mode and not allow itself to go into MEDIUM or MAX mode.



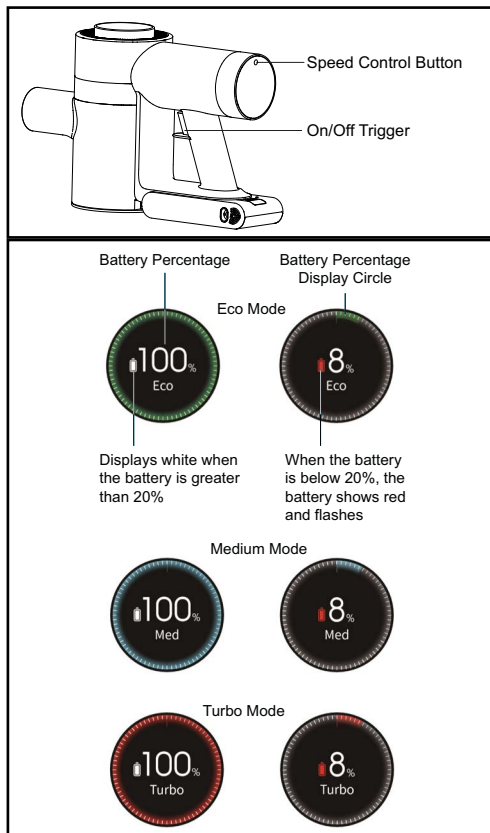
Initial Start-Up VCN 4& 5

When using the hand-held vacuum cleaner, the on/off trigger button turns the vacuum cleaner on or off.

1. Pull the on/off trigger to turn the machine on. The power indicator light will display steady green. The default speed once powered on is ECO mode; press the speed control button to switch to MEDIUM mode, press the speed control button again to switch to TURBO mode.
2. Pull the on/off trigger button to turn the machine off.

In addition, the hand-held vacuum cleaner is designed with an indicator light with three colors to enhance the user experience. After you turn on the machine the indicator light will display the corresponding color for each speed. As such, the blue light indicates medium mode, red light indicates turbo mode, green light indicates ECO mode.

When the power is less than 20%, the machine will automatically switch to energy-saving mode, and it will switch to the ECO mode and not allow itself to go into TURBO mode.



Using the Floor Brush

For all models, the electric floor brush with Multi-Purpose Roller Brush can be used for vacuuming on low pile carpets, rugs, and hard floors.

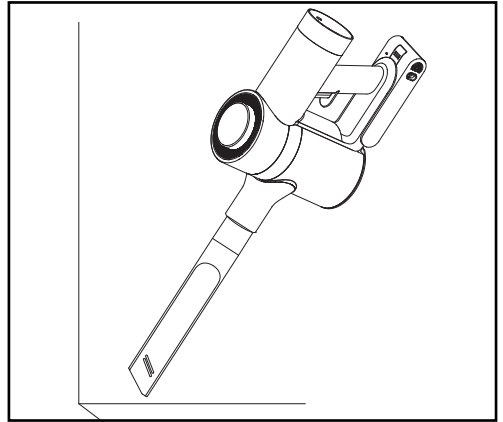
For VCN 4 and VCN 5, the included Hard Floor Fluffy Roller brush can be used only on hard floor surfaces for improved cleaning performance.

NOTE: When the electric floor brush is running, if excessively large foreign objects are vacuumed, or too many fibers are entangled in the brush chamber, it will stop abruptly and power to the floor brush will cease in order to protect personal safety and avoid damage to the roller brush motor.

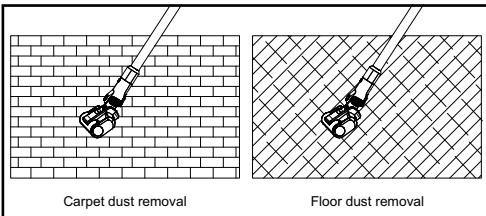
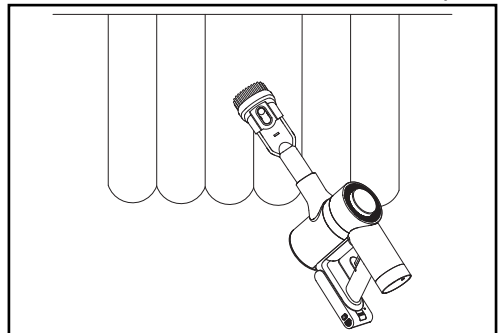
For VCN 4 and VCN 5, this same behavior will occur if the Hard Floor Fluffy Roller brush is used on carpets or rugs.

Using the Crevice Tool and 2 in 1 Dusting Brush

The crevice tool is suitable for cleaning crevices, tight corners, and other small gaps.

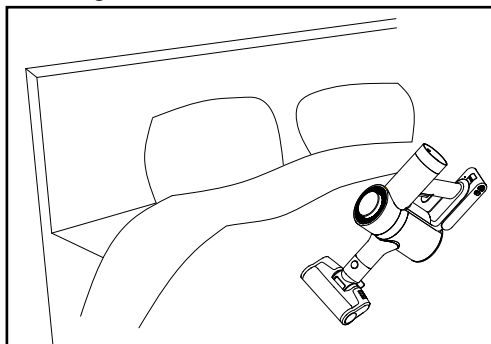


This 2-in-1 dusting brush is suitable for cleaning the dust on blinds, window sills, sofas and counter tops.



Using the Upholstery Brush

This attachment is specifically designed for sofas and mattresses.



Cleaning and Maintenance

Maintenance Notifications VCN 4 & 5

The machine will display notifications when certain maintenance is needed or if the battery is overheating. The prompts and their definitions are as follows:

1. Replace the filter - please replace the HEPA filter with a new filter from an authorized dealer.
2. Clean the brush - please remove and clean the brush. Refer to the "Cleaning, Changing, or Replacing the Roller Brush Assembly" section in this manual.
3. Air dust blocked - please check the connecting tube, vacuum suction port, and dust cup for any blockages. Remove them accordingly.

4. Battery Overheating - The battery of the machine is overheating. Turn off the device immediately.

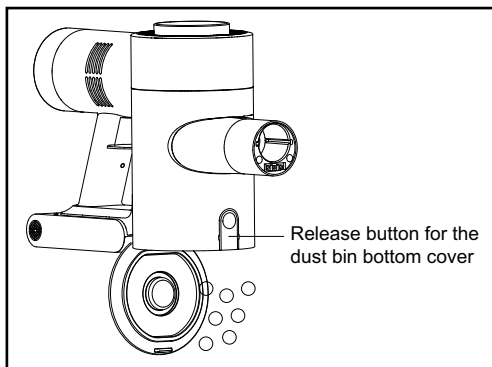


Cleaning the Dust Bin

Inlet-air HEPA is available for sale at the vacuum cleaner seller; (HEPA Filter Assembly: 8.759-986.0)

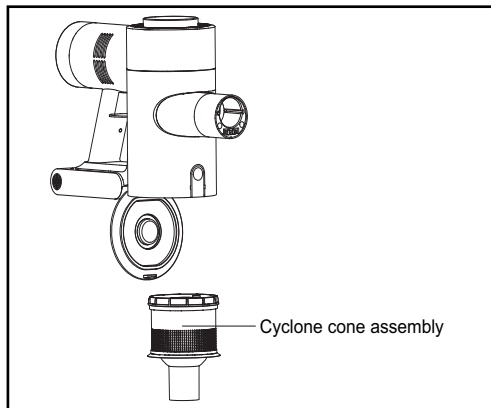
NOTE: It is recommended to empty the dust bin after each use; too much dust build up may block the HEPA filter. After several uses the filter may need to be cleaned or washed. Replace the filter when necessary. After the multi-purpose floor roller brush has been used for a long time, its bristles may be entangled with hair and other objects. The brush needs to be cleaned regularly for the vacuum cleaner to work effectively.

1. Press the release button for the dust bin to open the bottom cover and empty the dust.



Cleaning the filter system

1. Rotate the cyclone cone assembly by hand to separate it from the hand-held vacuum cleaner for cleaning.

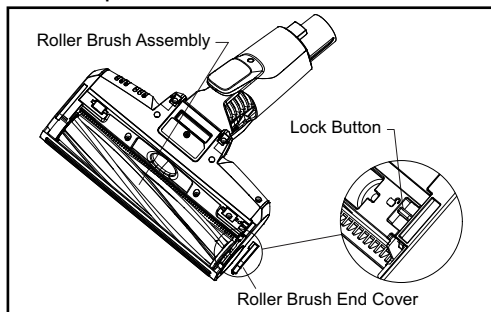
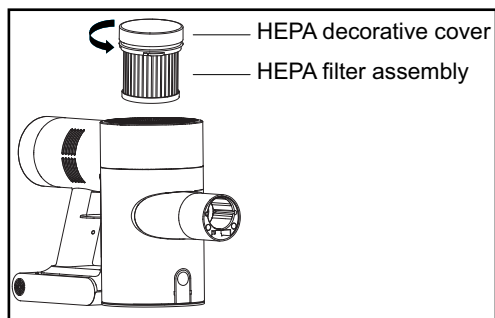


Cleaning the HEPA Filter Assembly

1. Rotate the HEPA filter decorative cover by hand, counter clockwise as shown in the figure in order to remove the HEPA filter assembly from the hand-held vacuum cleaner.
2. Rotate the HEPA air filter in the direction shown in the figure in order to separate the HEPA filter decorative cover from the HEPA filter assembly.

NOTE: The HEPA filter can be washed with water. After washing, it must be fully dry before install and before using the machine. (Frequent washing of the HEPA filter will affect its filtering ability. It is recommended to knock off the dust after a regular cleaning, washing it with water when it is dirty, and replacing it if necessary).

hear a “click” sound, the installation is complete.



Daily Maintenance

After each use, it is recommended to clean the HEPA filter, roller brush, and clear cover for next use.

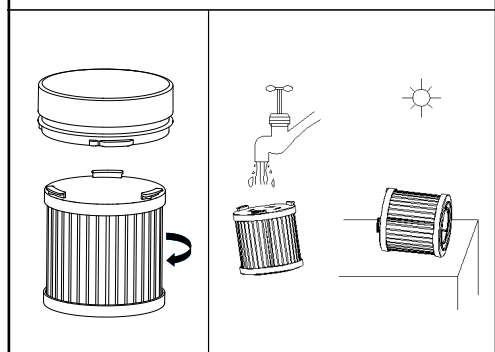
Depending on the circumstance, when the following situations are found:

- Dust seeps into HEPA filter
- Roller brush hairs fall off during or after use
- Strong vibration and abnormal noise

It is recommended to purchase replacement parts at a certified location and replace them so that the performance of the machine is not affected.

When storing the machine for longer periods of time, please store the machine in a cool and dry place, out of direct sunlight and away from moisture.

If you need to pack the machine for storage, be sure to clean the machine and dry all of its parts to prevent damage to the machine.



Cleaning, Changing, or Replacing the Roller Brush Assembly

1. To remove the roller brush, Toggle the lock button in the direction of the arrow, and the end cap of the roller brush will pop out automatically.
2. Lift off the end cap of the roller brush, this will allow the roller brush to be taken out of the groove for cleaning.
3. After cleaning or replacing (or for VCN 4 and VCN 5, changing to other roller types), you can install the roller brush assembly in the reverse order of disassembly and press the end cover of the roller brush. When you

Technical Data

	1.012-910.0	1.012-911.0	1.012-912.0
Electrical connection			
Charger Voltage Input	100-240V	100-240V	100-240V
Charger Power Frequency Input	50-60 Hz	50-60 Hz	50-60 Hz
Rated Voltage (Battery)	25.2V	25.2V	25.2V
Charging time when battery is completely discharged	240±30 min	300±30 min	300±30 min
Battery Capacity	2500 mAh	3000 mAh	3000 mAh
Battery Type	Removable Li-Ion	Removable Li-Ion	Removable Li-Ion
Rated Power	500W	500W	600W
Rated Power (Hand-held)	450W	450W	550W
Rated Power (Floor Nozzle)	50W	50W	50W
Device performance data			
Dust Cup Capacity	16.9 oz.	16.9 oz.	16.9 oz.
Cleaning Path Width	10.0 in.	10.0 in.	10.0 in.
Suction Performance	130 AirWatts	130 AirWatts	165 AirWatts
Operating time when battery is fully charged in normal operation	ECO 59±5 min. MED 21±2 min. MAX 11±2 min.	ECO 71±5 min. MED 26±2 min. TURBO 17±2 min.	ECO 71±5 min. MED 26±2 min. TURBO 17±2 min.
Filter Type (According to EN 1822)	HEPA H13	HEPA H13	HEPA H13
Workings Modes	3 (ECO, MEDIUM, TURBO)	3 (ECO, MEDIUM, TURBO)	3 (ECO, MEDIUM, TURBO)
Sound Power Level	< 85 dB(A)	< 85 dB(A)	< 85 dB(A)
Dimensions and weights			
Weight (Without Accessories)	6.0 lbs.	6.0 lbs.	6.0 lbs.
Length	29.3 in.	29.3 in.	29.3 in.
Width	11.1 in.	11.1 in.	11.1 in.
Height	6.7 in.	6.7 in.	6.7 in.
Serial number			

Troubleshooting

WARNING

Disconnect the unit from the power source including removal of battery before making any repairs.

Symptom	Cause	Solution
Machine will not turn on or powers off during use	Insufficient battery power	Charge the machine
	The ON/OFF is not pressed or other buttons are pressed at the same time	Press the On/Off button separately again
	Severe entanglement of the brush	Clean the roller brush
	The battery pack is not installed in place	Reinstall the battery pack
	The air duct is blocked	Clean the air duct and filter
Abnormal sound of the machine	The air duct is blocked	Clean the air duct and filter
	HEPA filter is missing	Install HEPA filter
Low suction power	The air duct or filter is clogged	Clean the air duct or filter

Aspirateurs-balais sans fil VCN

Contenu

Instructions De Sécurité	22
Utilisation Prévue	25
Protection De L'environnement.	25
Service À La Clientèle	26
Étendue De La Livraison.	28
Contenu De La Boîte	28
Éléments De Connexion Et De Fonctionnement	29
Montage.	30
Installation Des Accessoires.	32
Opération.	34
Nettoyage Et Entretien	38
Données Techniques.	41
Dépannage	42



AVERTISSEMENT

Indique "une situation potentiellement dangereuse qui, si elle n'est pas évitée, peut entraîner la mort ou des blessures".



MISE EN GARDE

Indique "une situation potentiellement dangereuse qui, si elle n'est pas évitée, peut entraîner des blessures mineures ou modérées ou des dommages matériels".

Consignes de sécurité Importantes

Lors de l'utilisation de ce produit, des précautions de base doivent toujours être respectées, notamment les suivantes:



AVERTISSEMENT

Lisez toutes les instructions avant d'utiliser le produit.

L'appareil est destiné à un usage domestique uniquement. Pour réduire les risques d'incendie, de choc électrique ou de blessure:

- Éteignez toutes les commandes avant de débrancher.
- Débranchez la prise avant de procéder à l'entretien.
- Ne permettez pas qu'il soit utilisé comme un jouet. Une attention particulière est nécessaire lorsque utilisé par ou près des enfants.



**LIRE ET SE CONFORMER
À TOUTES LES INSTRUCTIONS
AVANT D'UTILISER
CETTE MACHINE.
CONSERVER CES
INSTRUCTIONS**

Instructions de sécurité

Niveaux de danger



DANGER

Indique "une situation dangereuse imminente qui, si elle n'est pas évitée, entraînera la mort ou des blessures graves".

- Cet appareil peut être utilisé par des enfants à partir de 8 ans et des personnes ayant des capacités physiques, sensorielles ou mentales réduites ou un manque d'expérience et de connaissances s'ils ont reçu une surveillance ou des instructions concernant l'utilisation de l'appareil en toute sécurité et s'ils comprennent les risques encourus.
- Le nettoyage et l'entretien par l'utilisateur ne doivent pas être effectués par des enfants non surveillés.
- N'utilisez que ce qui est décrit dans ce manuel.
- N'utilisez que les accessoires recommandés par le fabricant.
- Ne pas utiliser avec un cordon ou une fiche endommagés. Si l'appareil ne fonctionne pas comme il le devrait, s'il est tombé, s'il a été endommagé, s'il est resté à l'extérieur ou s'il est tombé dans l'eau, contactez le service clientèle. Sélectionnez les instructions pour les services de garantie.
- Ne pas déconnecter en tirant sur le câble. Pour déconnecter, tirez sur la fiche, pas sur le cordon.
- Ne manipulez pas la fiche ou l'appareil avec des mains mouillées.
- Ne placez aucun objet dans les ouvertures. N'utilisez pas l'appareil si les ouvertures sont obstruées; veillez à ce qu'il soit exempt de poussière, de peluches, de cheveux et de tout ce qui pourrait réduire la circulation de l'air.
- Tenez les cheveux, les vêtements amples, les doigts et toutes les parties du corps éloignés des ouvertures et des pièces mobiles.

- Faites particulièrement attention lorsque vous nettoyez des escaliers.
- Ne pas utiliser pour ramasser des liquides inflammables ou combustibles, tels que l'essence, ni dans des endroits où ils peuvent être présents.



MISE EN GARDE

Risque de blessure. La brosse peut démarrer inattendu. Retirez l'appareil de la station de charge et/ou débranchez l'appareil du chargeur avant le nettoyage ou l'entretien.

- Toujours éteindre cet appareil avant de connecter ou déconnecter la buse motorisée.
- Ne ramassez rien qui brûle ou qui fume, comme des cigarettes, des allumettes ou des cendres chaudes.
- Ne pas utiliser sans le conteneur à poussière et les filtres en place.



MISE EN GARDE

- Protégez l'appareil des conditions climatiques extrêmes, de l'humidité et de la chaleur.
- Plage de température de fonctionnement:
41 -104 °F (5 - 40 °C)
- Plage de température de stockage:
-4 -113 °F (-20 - 45 °C)



AVERTISSEMENT

Lisez tous les avertissements et instructions de sécurité. Le non-respect des avertissements et des instructions peut entraîner un choc électrique, un incendie et/ou des blessures graves.

- Débranchez la batterie de l'appareil avant d'effectuer des réglages, de changer d'accessoires ou de ranger l'appareil. Ces mesures de sécurité préventives réduisent le risque de démarrage accidentel de l'appareil.
- À utiliser uniquement avec le type de batterie:
Pour VCN 3 Cordless - 8.759-984.0
Pour VCN 4 Cordless et VCN 5 Cordless - 8.759-985.0
- Évitez les démarrages intempestifs. Assurez-vous que l'interrupteur est en position d'arrêt avant de connecter le bloc-piles, de prendre ou de transporter l'appareil. Le fait de porter l'appareil avec le doigt sur l'interrupteur ou de charger l'appareil lorsque l'interrupteur est activé peut provoquer un accident ou une blessure.
- *Rechargez uniquement avec le chargeur spécifié par le fabricant. Un chargeur adapté à un type de bloc-piles peut créer un risque d'incendie lorsqu'il est utilisé avec un autre bloc-piles.*
- N'utilisez les appareils qu'avec les batteries désignées spécifiquement. L'utilisation de tout autre bloc-piles peut entraîner un risque de blessure et d'incendie.
- Lorsque la pile n'est pas utilisée, tenez-la à l'écart d'autres objets métalliques, tels que des trombones, des pièces de monnaie, des clés, des clous, des vis ou d'autres petits objets métalliques, qui peuvent établir une connexion d'une borne à l'autre. Un court-circuit entre les bornes de la batterie peut provoquer des brûlures ou un incendie.
- Dans des conditions abusives, du liquide peut s'échapper de la batterie; évitez tout contact. En cas de contact accidentel, rincer à l'eau. Si le liquide entre en contact avec les yeux, consulter un médecin. Le liquide éjecté de la batterie peut provoquer des irritations ou des brûlures.
- N'utilisez pas de piles ou de dispositifs endommagés ou modifiés. Les batteries endommagées ou modifiées peuvent avoir un comportement imprévisible et provoquer un incendie, une explosion ou un risque de blessure.
- N'exposez pas la batterie ou l'appareil au feu ou à des températures excessives. L'exposition au feu ou à des températures supérieures à 130°C (265°F) peut provoquer une explosion.
- Suivez toutes les instructions de charge et ne chargez pas la batterie ou l'appareil en dehors de la plage de température spécifiée dans les instructions. Une charge incorrecte ou une charge à des températures hors de la plage spécifiée peut endommager la batterie et augmenter le risque d'incendie.
- Cet appareil contient des piles qui ne peuvent être remplacées que par du personnel qualifié.
- Veillez à ce que l'entretien soit effectué par un technicien qualifié utilisant uniquement des pièces de rechange identiques. Cela permettra de garantir la sécurité du produit.
- Ne modifiez Protection de l'environnement pas et n'essayez pas de réparer l'appareil ou la batterie, sauf dans les cas décrits dans les instructions d'utilisation et d'entretien.



MISE EN GARDE

- N'utilisez jamais l'appareil sans filtre. Cela pourrait endommager l'appareil.
- N'utilisez pas de tampons à récurer, de nettoyeurs pour vitres ou de nettoyeurs tout usage pour le nettoyage.
- L'appareil ne doit pas être utilisé à l'extérieur ou sur des surfaces humides.

Chargeur



AVERTISSEMENT

- Ne chargez l'appareil qu'avec le chargeur original fourni ou avec un chargeur approuvé par KÄRCHER.

Type de dispositif:

VCN 3 - 1.012-910.0

VCN 4 - 1.012-911.0

VCN 5 - 1.012-912.0

Utilisez l'adaptateur suivant:

8.759-983.0 Chargeur de batterie

Utilisation prévue

L'appareil est destiné à un usage domestique uniquement et non à des fins commerciales.

REMARQUE: Le fabricant n'est pas responsable des dommages causés par une utilisation inappropriée ou incorrecte. L'appareil ne peut être équipé que de pièces de rechange d'origine, d'accessoires d'origine et d'accessoires spéciaux d'origine.

REMARQUE: Avant d'utiliser l'appareil, vous devez lire et comprendre les instructions d'utilisation et les consignes de

sécurité. Veillez à ce que les utilisateurs qui ne maîtrisent pas l'anglais reçoivent une explication du mode d'emploi et des consignes de sécurité dans leur langue maternelle et qu'ils les comprennent parfaitement. Assurez-vous que le manuel de l'opérateur et les instructions de sécurité sont disponibles à tout moment.

Responsabilité du propriétaire/utilisateur

Le propriétaire et/ou l'utilisateur doivent avoir une compréhension des instructions d'utilisation et d'avertissements du fabricant avant d'utiliser cette laveuse à pression.

Les informations concernant les avertissements devraient être soulignées et comprises. Si l'opérateur ne maîtrise pas le français, les instructions et les avertissements du fabricant doivent être lus et discutés par l'acheteur/propriétaire avec l'opérateur dans sa langue maternelle, en s'assurant que l'opérateur comprenne son contenu.

Le propriétaire et/ou l'utilisateur doivent étudier et conserver les instructions du fabricant pour références futures.

Utilisation inappropriée

- Aspiré de:
 - Substances dangereuses pour la santé, substances à arêtes vives, chaudes ou brillante
 - Substances humides ou liquides
 - Substances ou gaz hautement inflammables ou explosifs.

Protection de l'environnement



Le matériel d'emballage peut être recyclé. Éliminer l'emballage conformément aux

réglementations environnementales.



Les appareils électriques et électroniques contiennent des matériaux précieux et souvent

des composants tels que des piles, des batteries rechargeables ou l'huile, qui, s'ils sont manipulés ou éliminés de manière incorrecte, peuvent menacer potentiellement la santé humaine et l'environnement.

Cependant, ces composants sont nécessaires pour le fonctionnement correct de l'appareil. Les appareils marqués par ce symbole ne doivent pas être jetés avec les ordures ménagères.

Remarque concernant les ingrédients (REACH)

Vous trouverez des informations actuelles sur les ingrédients au: www.karcher.com/REACH

CONSERVEZ CES INSTRUCTIONS

Service à la clientèle

Inscription

Votre appareil doit être enregistré pour que nous puissions répondre à vos questions ou à vos problèmes. Vous pouvez enregistrer votre appareil sur le site www.karcher-register.com si vous êtes situé aux États-Unis, www.karcher.com/ca si vous êtes situé au Canada, ou www.karcher.com/mx si vous êtes situé au Mexique.

Garantie

Dans le cas d'une réclamation au titre de la garantie, vous pouvez contacter le service à la clientèle. Veuillez consulter les coordonnées ci-dessous pour les États-Unis, le Canada ou le Mexique. Vous DEVEZ fournir votre preuve d'achat afin de déposer une réclamation au titre de la garantie par courriel, téléphone ou télécopieur.

Votre aspirateur VCN 3/4/5 est couvert par une garantie complète de 3 ans pour un usage résidentiel (l'utilisation commerciale n'est pas couverte). Veuillez consulter les détails de la garantie sur la page d'accueil VCN accessible via le code QR sur la machine.

Service à la clientèle du USA

Vous pouvez contacter notre service à la clientèle par téléphone au **1 800-537-4129** ou par l'entremise du site Web: **www.karcher-help.com**.

Service à la clientèle du Canada

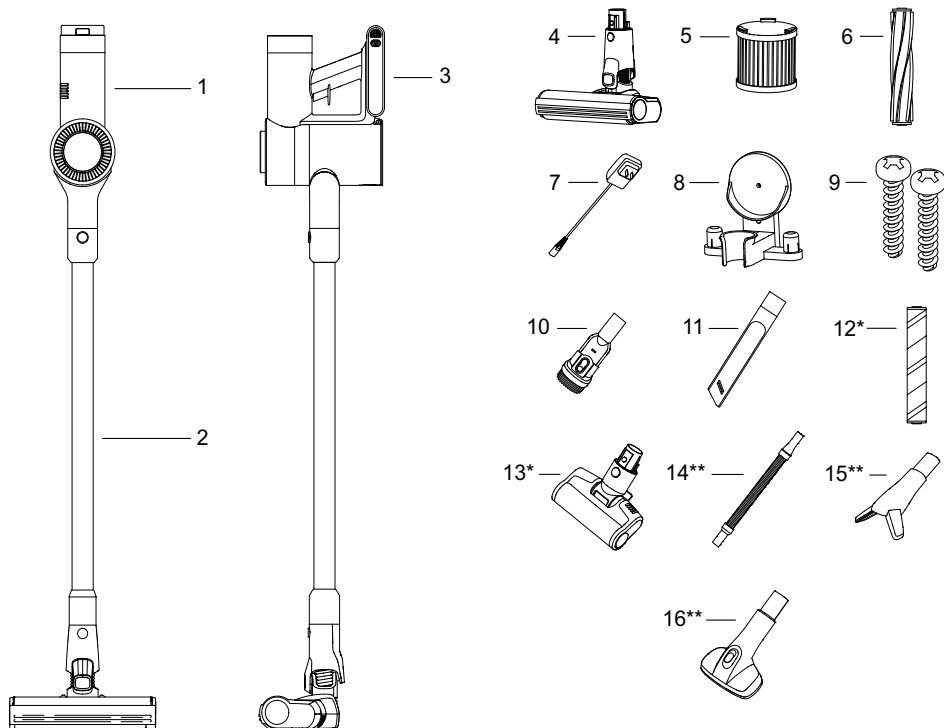
Vous pouvez contacter notre service à la clientèle par téléphone au **1 800-465-4980** ou par l'entremise du site Web: **www.karcher.com/ca**.

Service à la clientèle du Mexique

Vous pouvez contacter notre service à la clientèle par téléphone au **01 800-024-13-13** ou par l'entremise du site Web: **www.karcher.com/mx**.

Étendue de la livraison

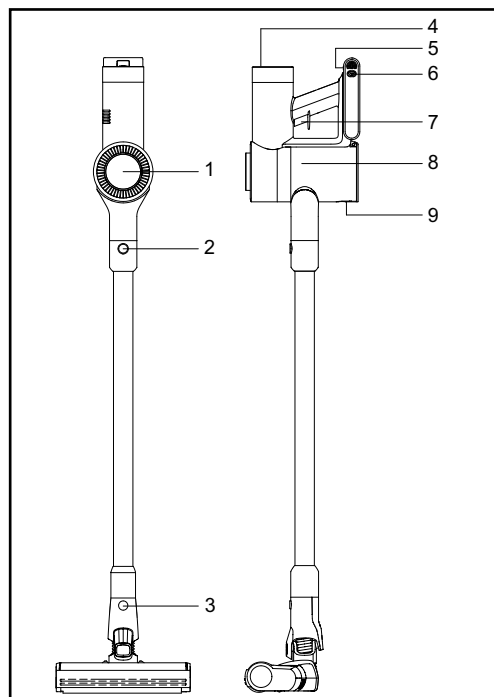
Contenu de la boîte



Note: * VCN 4 & 5 Seulement, ** VCN 5 Seulement

Liste de colisage

Modèle:	VCN 3 Cordless	VCN 4 Cordless	VCN 4 Cordless
Numéro de pièce:	1.012-910.0	1.012-911.0	1.012-912.0
Support de stockage mural:	1	1	1
Chargeur de batterie	1	1	1
Batterie lithium-ion remplaçable/amovible	1 (2500 mAh)	1 (3000 mAh)	1 (3000 mAh)
Tube de raccordement	1 (Noir)	1 (Argent)	1 (Blanc)
Brosse à plancher	1	1	1 (w/LED)
Suceur plat	1	1	1
Brosse à épousseter 2 en 1	1	1	1
Brosse multi-usages	1	1	1
Rouleau pour sols durs		1	1
Brosse à tapisserie		1	1
Tuyau extensible			1
Brosse pour animaux			1
Outil de tapisserie			1



Éléments de connexion et éléments de fonctionnement

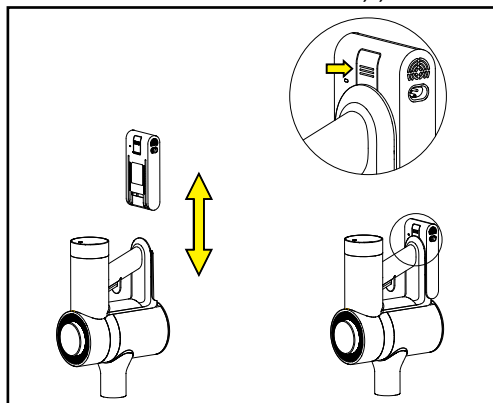
1. Ensemble de filtre HEPA
2. Bouton de libération du tube
3. Bouton de libération de la brosse à plancher
4. Bouton de contrôle de la vitesse
5. Bouton de libération du bloc-piles
6. Port de chargement
7. Bouton marche/arrêt
8. Bac à poussière
9. Bouton d'ouverture du couvercle inférieur du bac à poussière

REMARQUE: Veuillez couper l'alimentation pendant montage et le démontage du produit.

Montage

Installation et retrait du bloc-piles et retrait

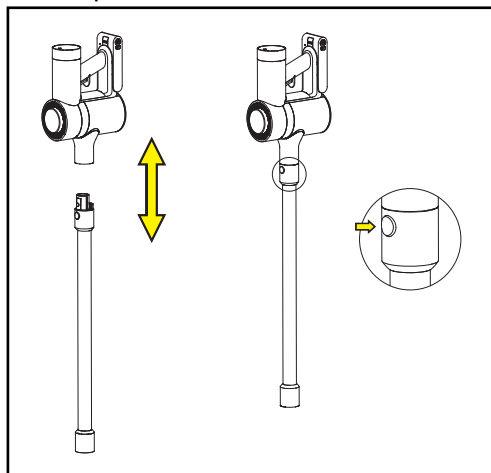
1. Tenez le bloc-piles et insérez-le long de la rainure de guidage. Après avoir entendu un “clic”, assurez-vous que la batterie est bien serré, sécurisé et verrouillé en place.
2. Pour retirer le bloc-piles, appuyez sur le bouton de libération du bloc-piles et tirez le bloc de piles dans la direction opposée. (Outre le remplacement de la batterie, il n'est pas nécessaire de la n'a pas besoin d'être retiré de la machine.).



Démontage et montage du tube de connexion

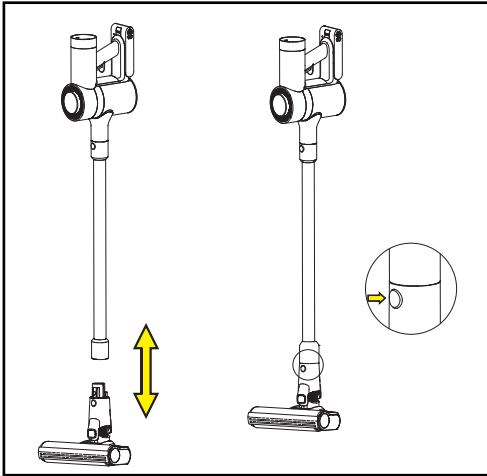
1. Alignez l'extrémité du bouton du tube de connexion et insérez-le dans le de l'aspirateur à main. Une fois qu'il s'est mis en place, assurez-vous que le tube de connexion est bien serré et bien fixé.

2. Pour retirer le tube de connexion, appuyez sur le bouton de libération sur le tube de raccordement (comme indiqué sur la figure). Puis tirez le tube de raccordement hors de l'aspirateur.



Démontage et montage de la brosse à plancher

1. Aligner le connecteur supérieur de la brosse à plancher avec l'extrémité du tube de connexion (sans bouton) et insérez-le dans l'orifice du tube. Une fois qu'il s'est enclenché en place, assurez-vous que la brosse à plancher est bien serrée et sécurisée.
2. Si vous voulez retirer la brosse à plancher, appuyez sur le bouton de déverrouillage de la brosse brosse à plancher (comme indiqué sur la figure) et tirez la brosse à plancher hors du tube.



Support de rangement mural Installation

Pour un rangement pratique de l'aspirateur à main et ses accessoires, ce produit comprend un support de rangement spécialement conçu pour suspendre et ranger l'appareil.

REMARQUE: Fixez le support mural à un endroit point approprié à l'aide des vis fournies. (Ajoutez des ancrages muraux si vous jugez nécessaire pour fixer le support au mur).



MISE EN GARDE

Domages matériels dus à une mauvaise installation incorrecte

REMARQUE: Une installation incorrecte peut endommager l'appareil, le mur et le revêtement de sol en cas de chute.

REMARQUE: Utilisez des outils de montage appropriés pour le montage mural.

REMARQUE: Prenez le poids de l'appareil et la capacité de charge de l'emplacement d'installation lors du choix des fixations.



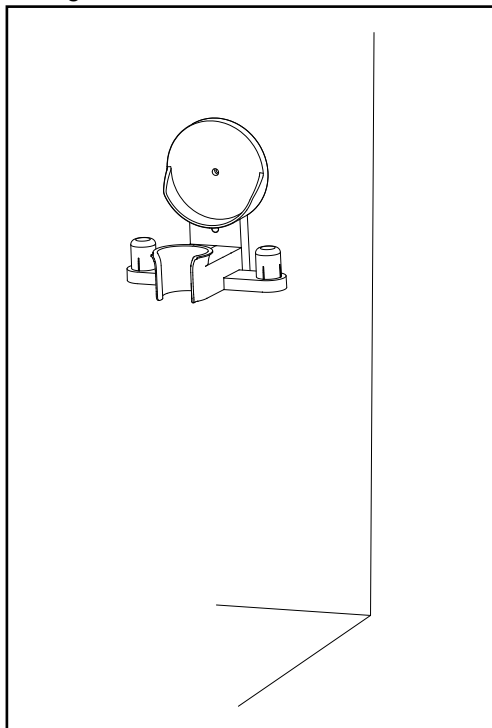
AVERTISSEMENT

Risque de choc électrique et de blessures

Assurez-vous qu'il n'y a pas de câbles électriques, de conduites d'eau ou de gaz dans le mur autour de la zone de montage.

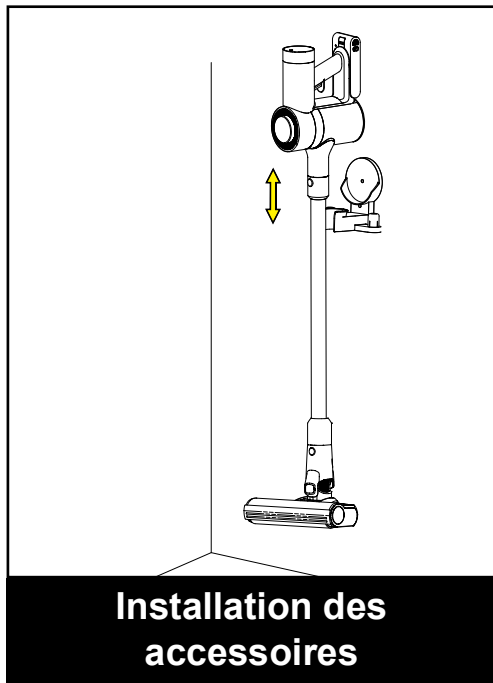
1. Placez l'aspirateur à main assemblé dans le support et mettez l'aspirateur à main debout, près du sol. La hauteur doit être suffisante pour que la brosse à plancher de l'aspirateur assemblé ne touche pas le sol.
2. Une fois que la hauteur correcte du support a été déterminée, en maintenant le support en place, retirez l'aspirateur à main, marquez l'emplacement du trou au centre du support, placez la vis et serrez-la jusqu'à ce qu'elle soit bien serrée. vis, et serrez-la jusqu'à ce qu'elle soit bien contre le mur.
3. Une fois la vis centrale installée, assurez-vous que le support est de niveau, puis marquez le trou inférieur, placez la vis et serrez-la bien contre le mur. contre le mur.

REMARQUE: Veuillez ne pas installer le support sur un mur qui est régulièrement mouillé.



Utilisation du support mural de stockage

1. Tout en tenant le tube de raccordement de l'aspirateur, soulevez la machine. Le fond du bac à poussière étant orienté vers le mur, placez le tube de raccordement dans le support, puis posez délicatement le haut de la machine sur le support. la machine sur le support.
2. Lorsque vous êtes prêt à utiliser la machine, sortez-la du support en saisissant le tube de connexion avec votre main et en soulevant la machine. machine vers le haut.



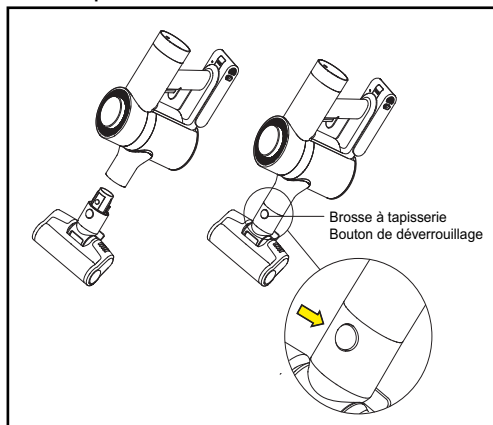
Installation des accessoires

Ce produit est équipé de accessoires permettant d'optimiser l'aspirateur l'aspirateur pour une variété d'utilisations. Le site accessoires peuvent être utilisés avec la partie manuelle de l'aspirateur ou peuvent se connecter au tube de raccordement lorsqu'ils sont fixés à l'aspirateur.

Brosse à tapisserie

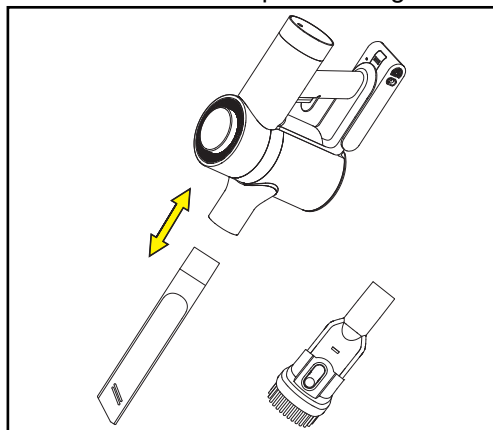
1. Connectez l'aspirateur à main à la brosse à tapisserie.
2. Alignez le connecteur de la brosse à tapisserie et insérez-le dans le port de l'aspirateur à main. Une fois qu'elle s'est mise en place, assurez-vous que la brosse à tapisserie est bien fixée. Si vous souhaitez retirer la brosse d'ameublement, il suffit

d'appuyer sur le bouton de dégagement de la brosse (comme indiqué sur la figure), puis de tirer la brosse d'ameublement hors de l'aspirateur.

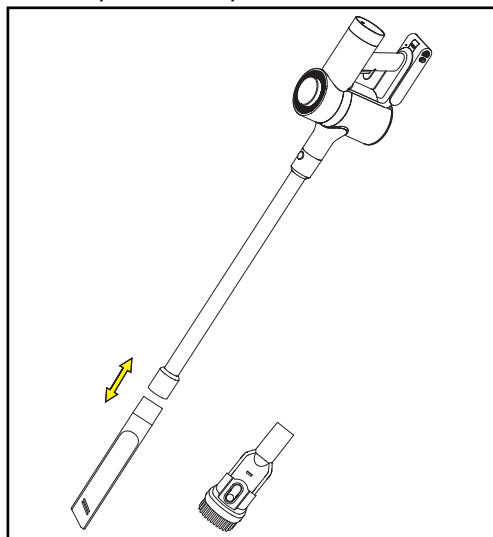


Suceur plat et brosse à poussière 2 en 1

1. Pour connecter l'aspirateur à main l'aspirateur à main au suceur plat ou à l'accessoire brosse deux en un : Alignez l'orifice circulaire du suceur plat ou de l'accessoire brosse deux en un avec l'orifice d'aspiration de l'aspirateur à main, puis insérez-le dans le sens indiqué sur la figure.

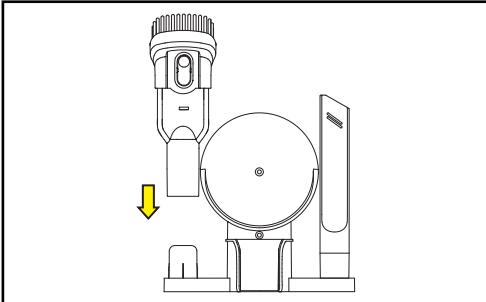


2. Pour connecter l'aspirateur à main l'aspirateur à main au suceur plat ou à l'accessoire brosse deux en un avec le tube métallique conducteur : Alignez l'orifice circulaire du suceur plat ou de l'accessoire brosse deux en un avec l'orifice du tube conducteur dans la position indiquée sur la figure jusqu'à ce qu'il soit en place.



Rangement des accessoires

Préinstallez le support sur un mur propre (comme indiqué dans la section "Installation du support mural"). Lorsque vous avez fini d'utiliser les accessoires, vous pouvez les ranger de manière pratique dans le support



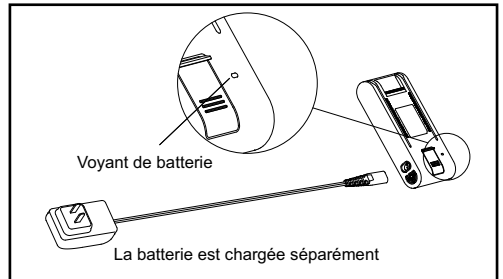
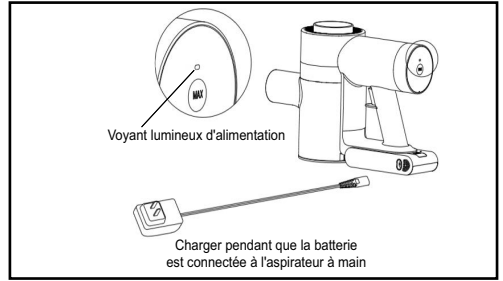
Opération

Chargement de la machine VCN 3

Veillez charger l'aspirateur avant que la batterie ne se décharge. Si la tension est trop faible, l'aspirateur s'éteint automatiquement pour protéger la batterie.

1. Insérez l'adaptateur dans le port de charge de la batterie et connectez-le à la source d'alimentation CA pour le charger.
2. Lorsque le bloc-piles est inséré dans l'aspirateur à main pour le charger, le témoin lumineux de l'aspirateur à main s'affiche comme suit: lorsque le voyant rouge clignote, il est en charge; lorsque le voyant devient vert, il est complètement chargé. La batterie peut également être retirée de l'aspirateur à main pour le charge.

Le témoin d'alimentation du batterie s'affiche comme suit: lorsque le voyant rouge clignote, il est en charge; lorsque le voyant devient vert, la batterie est entièrement chargé



REMARQUE: Avant d'utiliser la machine pour la première fois, assurez-vous que la batterie est complètement chargée. Lors de la première utilisation, utilisez la machine jusqu'à ce que la charge soit épuisée afin de garantir la durée de vie de la batterie.

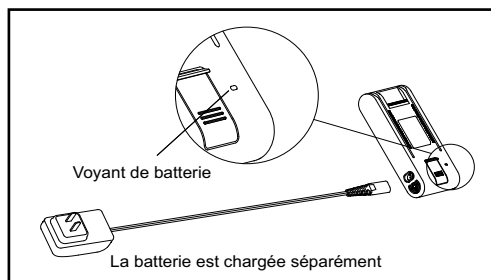
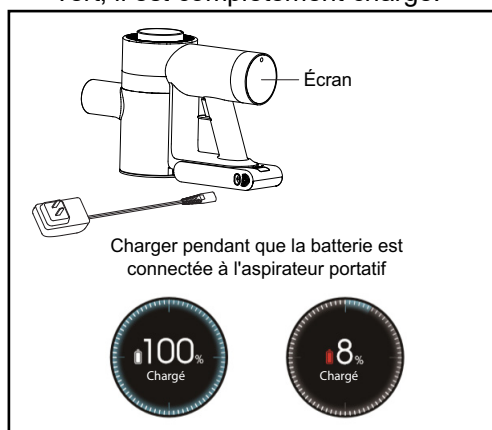
REMARQUE: Si la machine n'est pas utilisée et stocké pendant une longue période, veuillez charger le produit une fois tous les trois mois. Veillez à utiliser l'adaptateur fourni pour la charge.

REMARQUE: Lorsque la machine n'est pas charge, veuillez retirer l'adaptateur de charge l'adaptateur de la prise.

Chargement des machines VCN 4 y VCN 5

Veillez charger l'aspirateur avant que la batterie ne se décharge. Si la tension est trop faible, l'aspirateur s'éteint automatiquement pour protéger la batterie.

1. Lorsque le bloc de batteries est inséré dans l'aspirateur à main pour être rechargé, l'écran de l'aspirateur à main affiche la puissance actuelle et "Charging" sur l'écran pendant la charge.
2. La batterie peut également être retirée de l'aspirateur à main pour être rechargée. Lors de la charge, le voyant d'alimentation de la batterie s'affiche comme suit : lorsque le voyant rouge clignote, il est en charge; lorsque le voyant devient vert, il est complètement chargé.

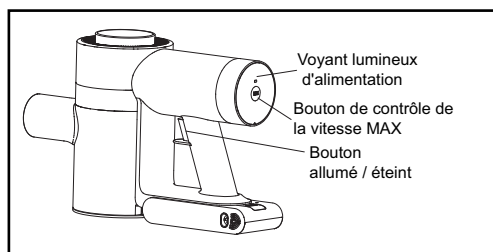


Démarrage initial VCN 3

Lors de l'utilisation de l'aspirateur à main, la gâchette on/off permet de mettre en marche ou d'arrêter l'aspirateur.

1. Tirez sur la gâchette marche/arrêt pour mettre la machine en marche. Le témoin d'alimentation s'affiche en vert fixe. La vitesse par défaut, une fois l'appareil allumé, est le mode ECO; appuyez sur le bouton de contrôle de la vitesse (MAX) pour passer en mode MEDIUM, appuyez à nouveau sur le bouton de contrôle de la vitesse (MAX) pour passer en mode MAX.
2. En appuyant sur le bouton de contrôle de la vitesse permet d'alterner les vitesses en fonction du ECO-MEDIUM-MAX.
3. Enfin, appuyez sur la gâchette marche/arrêt pour éteindre la machine.

REMARQUE: Lorsque la puissance est inférieure à 20%, la machine passe automatiquement en mode d'économie d'énergie, et passe en mode ECO et ne peut pas passer en mode MEDIUM ou MAX



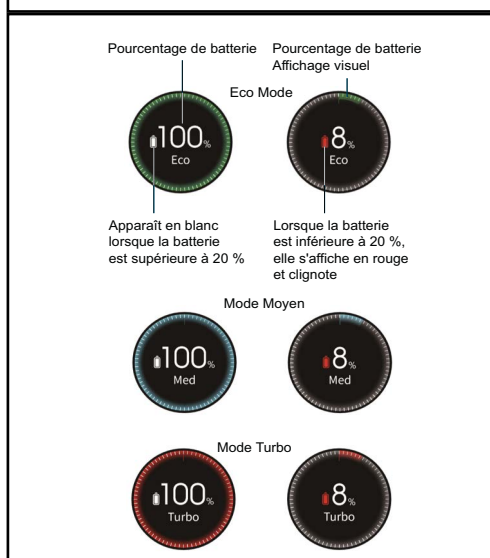
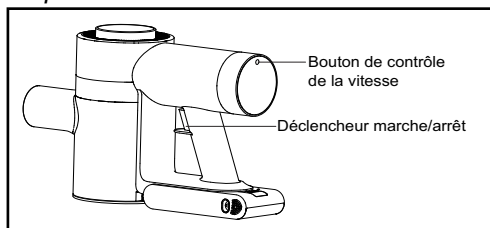
Démarrage initial VCN 4 y 5

Lorsque vous utilisez l'aspirateur à main, le bouton de déclenchement marche/arrêt permet d'allumer ou d'éteindre l'aspirateur. l'aspirateur en marche ou à l'arrêt.

1. Tirez sur la gâchette marche/arrêt pour mettre la machine en marche. Le témoin lumineux d'aspiration s'affiche en vert fixe. La vitesse par défaut, une fois l'appareil sous tension, est le mode ECO ; appuyez sur le bouton de contrôle de la vitesse pour passer au mode MEDIUM, appuyez à nouveau sur le bouton de contrôle de la vitesse pour passer au mode TURBO.
2. Appuyez sur le bouton de déclenchement marche/arrêt pour mettre la machine à l'arrêt.

En outre, l'aspirateur à main est conçu avec un témoin lumineux à trois couleurs pour améliorer l'expérience de l'utilisateur. Après avoir allumé l'appareil, le témoin lumineux affiche la couleur correspondante à chaque vitesse. Ainsi, la lumière bleue indique le mode moyen, la lumière rouge indique le mode turbo, le voyant vert indique le mode ECO.

Lorsque la puissance est inférieure à 20 %, la machine passe automatiquement en mode d'économie d'énergie, et elle passe en mode ECO et ne se laisse pas de passer en mode TURBO.



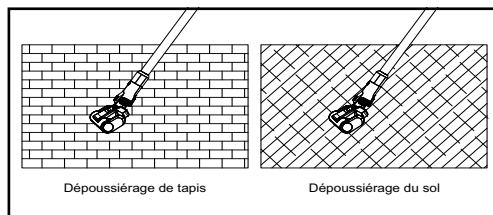
Utilisation de la brosse à plancher

Pour tous les modèles, la brosse à plancher électrique avec brosse à rouleau multi-usages peut être utilisée pour aspirer sur les moquettes à poils ras, tapis et les sols durs.

Pour VCN 4 et VCN 5, la brosse à rouleau moelleux pour sols durs incluse peut être utilisée uniquement sur des sols durs pour une meilleure performance de nettoyage.

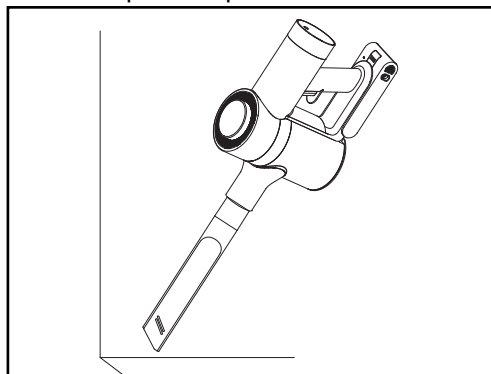
REMARQUE: Lorsque la brosse à plancher électrique est en marche, si des corps étrangers de taille excessive sont aspirés, ou si trop de fibres sont emmêlées dans la chambre de la brosse, elle s'arrêtera brusquement et l'alimentation de la brosse à plancher sera interrompue afin de protéger la sécurité des personnes et d'éviter d'endommager le moteur de la brosse à rouleau.

Pour VCN 4 et VCN 5, ce même comportement se produira si la brosse à rouleau moelleux pour sols durs est utilisée sur des tapis ou des moquettes.

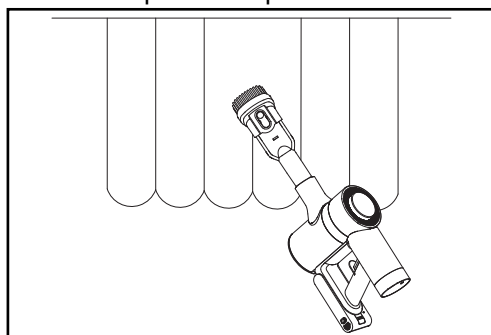


Utilisation du suceur plat et de la brosse à épousseter 2 en 1

Le suceur plat convient pour nettoyer les crevasses, les coins serrés et autres petits espaces.

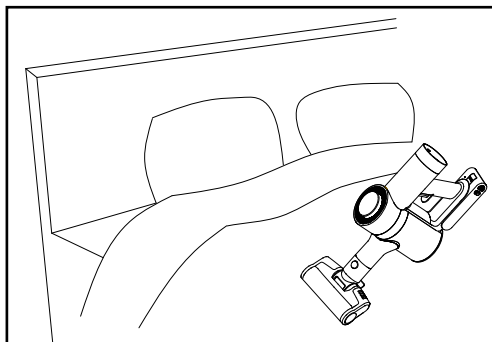


Cette brosse à épousseter 2 en 1 convient pour nettoyer la poussière sur les stores, les rebords de fenêtres, les canapés et les plans de travail.



Utilisation de la brosse à tapisserie

Cet accessoire est spécifiquement conçu pour les canapés et les matelas.



Nettoyage et entretien

Notifications de maintenance VCN 4 & 5

La machine affiche des notifications lorsque certaines opérations de maintenance sont nécessaires ou si la batterie est en surchauffe. Les messages et leurs définitions sont les suivants:

1. Remplacer le filtre - veuillez remplacer le filtre HEPA par un nouveau filtre provenant d'un revendeur agréé.
2. Nettoyer la brosse - veuillez retirer et nettoyer la brosse. Reportez-vous à la section "Nettoyage, changement ou remplacement de l'ensemble de brosse à rouleau" dans ce manuel.
3. La poussière d'air est bloquée - veuillez vérifier que le tube de

connexion, l'orifice d'aspiration de l'aspirateur et la ventouse ne sont pas bloqués. Retirez-les en conséquence.

4. Surchauffe de la batterie - La batterie de la machine est en surchauffe. Éteignez l'appareil immédiatement.

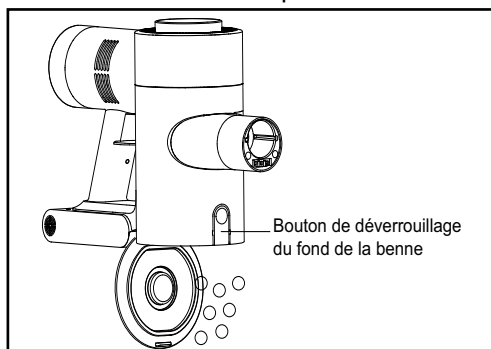


Nettoyage du bac à poussière

Inlet-air HEPA est disponible à la vente chez le vendeur de l'aspirateur; (HEPA Assembly: 8.759-986.0)

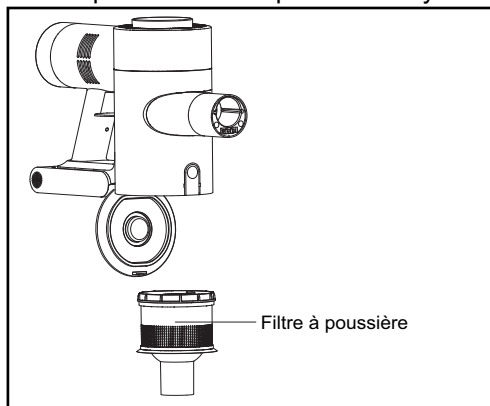
REMARQUE: Il est recommandé de vider le poubelle après chaque utilisation ; une trop grande accumulation de poussière peut bloquer le filtre HEPA. Après plusieurs utilisations, le filtre peut avoir besoin d'être nettoyé ou lavé. Remplacez le filtre lorsque cela est nécessaire. Après que la brosse polyvalente la brosse à rouleau polyvalente a été longtemps, ses poils peuvent s'emmêler avec des cheveux et d'autres objets. s'emmêler avec des cheveux et d'autres objets. La brosse doit être nettoyée régulièrement pour que l'aspirateur fonctionne efficacement.

1. Appuyez sur le bouton de déverrouillage du bac à poussière pour ouvrir le couvercle inférieur et vider la poussière.



Nettoyage du système de filtration

1. Faites tourner l'ensemble cône cyclone à la main pour le séparer de l'aspirateur à main et le nettoyer. l'aspirateur à main pour le nettoyer.

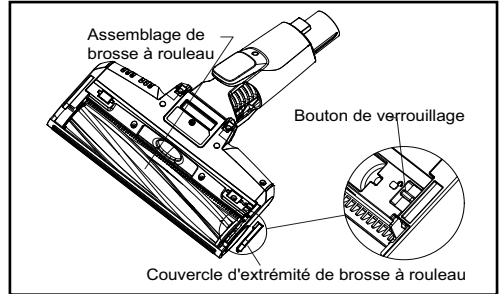


Nettoyage du filtre HEPA de l'appareil

1. Faites tourner le couvercle décoratif du filtre HEPA à la main, dans le sens inverse des aiguilles d'une montre, comme indiqué sur la figure, afin de retirer l'ensemble du filtre HEPA de l'aspirateur à main.
2. Faites tourner le filtre à air HEPA dans le sens indiqué sur la figure afin de séparer le couvercle décoratif du filtre HEPA de l'ensemble du filtre HEPA.

REMARQUE: Le filtre HEPA peut être lavé à l'eau. Après le lavage, il doit être complètement sec avant d'être installé et avant d'utiliser la machine. (Un lavage fréquent du filtre HEPA affectera sa capacité de filtrage. Il est recommandé d'enlever la poussière après un nettoyage régulier, de le laver à l'eau lorsqu'il est sale et de le remplacer si nécessaire.

rouleau. Lorsque vous entendez un "clic", l'installation est terminée.



Entretien quotidien

Après chaque utilisation, il est recommandé de nettoyer le filtre HEPA, la brosse à rouleau, et le couvercle transparent pour la prochaine utilisation.

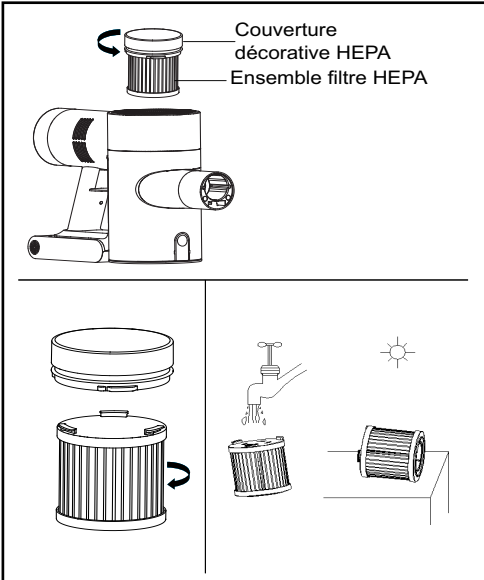
Selon les circonstances, lorsque les situations suivantes sont constatées:

- La poussière est filtrée dans le filtre HEPA
- Les poils de la brosse roulante tombent pendant ou après l'utilisation.
- Vibration forte et bruit anormal

Il est recommandé d'acheter pièces de rechange dans un centre et de les remplacer afin que les performances de la machine ne soient pas affectées.

Lorsque vous rangez la machine pour une longue durée, veuillez stocker l'appareil dans un endroit frais et sec, à l'abri de la lumière de la lumière directe du soleil et à l'abri de l'humidité.

Si vous devez emballer le périphérique pour le stockage, veuillez nettoyer l'appareil et sécher toutes ses pièces pour éviter de l'endommager.



Nettoyage, changement ou remplacement de l'ensemble de brosse à rouleau

1. Pour retirer la brosse à rouleau, tournez le bouton de verrouillage dans le sens de la flèche et le capuchon de la brosse à rouleau se détache automatiquement.
2. Soulevez le capuchon à l'extrémité de la brosse du rouleau, ce qui permettra de retirer la brosse du rouleau de la rainure pour la nettoyer.
3. Après nettoyage ou remplacement (ou pour VCN 4 et VCN 5, passage à d'autres types de rouleaux), vous pouvez installer l'ensemble de la brosse à rouleau dans l'ordre inverse du démontage et appuyer sur le capuchon d'extrémité de la brosse à

Données techniques

	1.012-910.0	1.012-911.0	1.012-912.0
Connexion électrique			
Entrée de la tension du chargeur	100-240V	100-240V	100-240V
Chargeur Puissance Fréquence	50-60 Hz	50-60 Hz	50-60 Hz
Tension nominale (batterie)	25.2V	25.2V	25.2V
Temps de charge lorsque la batterie est complètement	240±30 min	300±30 min	300±30 min
Capacité de la batterie	2500 mAh	3000 mAh	3000 mAh
Type de batterie	Removable Li-Ion	Removable Li-Ion	Removable Li-Ion
Puissance nominale	500W	500W	600W
Puissance nominale (à main)	450W	450W	550W
Puissance nominale	50W	50W	50W
Données sur les performances du dispositif			
Capacité du bac à poussière	16.9 oz.	16.9 oz.	16.9 oz.
Largeur du chemin de nettoyage	10.0 in.	10.0 in.	10.0 in.
Performances d'aspiration	130 AirWatts	130 AirWatts	165 AirWatts
Durée de fonctionnement lorsque la batterie est entièrement chargée	ECO 59±5 min. MED 21±2 min. MAX 11±2 min.	ECO 71±5 min. MED 26±2 min. TURBO 17±2 min.	ECO 71±5 min. MED 26±2 min. TURBO 17±2 min.
Type de filtre (selon la norme EN 1822)	HEPA H13	HEPA H13	HEPA H13
Modes de fonctionnement	3 (ECO, MEDIUM, MAX)	3 (ECO, MEDIUM, TURBO)	3 (ECO, MEDIUM, TURBO)
Niveau de puissance acoustique	< 85 dB(A)	< 85 dB(A)	< 85 dB(A)
Dimensions et poids			
Poids (sans accessoires)	6.0 lbs.	6.0 lbs.	6.0 lbs.
Longueur	29.3 in.	29.3 in.	29.3 in.
Largeur	11.1 in.	11.1 in.	11.1 in.
Hauteur	6.7 in.	6.7 in.	6.7 in.
Numéro de série			

Dépannage



AVERTISSEMENT

Desconecte la unidad de la fuente de alimentación, incluida la extracción de la batería, antes de realizar cualquier reparación.

Symptom	Cause	Solution
La machine ne s'allume pas ou ne s'éteint pas pendant l'utilisation	Puissance de la batterie insuffisante	Chargez la machine
	La touche ON/OFF n'est pas ou d'autres touches sont appuyées en même temps en même temps	Appuyez séparément sur le bouton On/Off à nouveau
	Enchevêtrement sévère de la brosse	Nettoyer la brosse du rouleau
	Le bloc-piles n'est pas installé en place	Réinstaller le bloc-piles
	Le conduit d'air est bloqué	Nettoyer le conduit d'air et le filtre
Anormal bruit de la machine	Le conduit d'air est bloqué	Nettoyer le conduit d'air et le filtre
	Le filtre HEPA est absent	Installer un filtre HEPA
Faible puissance d'aspiration	Le conduit d'air ou le filtre est obstrué	Nettoyer le conduit d'air ou le filtre

Aspiradoras inalámbricas VCN

Contenido

Instrucciones de Seguridad	43
Uso Previsto	46
Protección del medio ambiente.	46
Servicio al Cliente	47
Alcance de la entrega.	48
Lista de empaque	49
Conexión y Elementos Operativos	49
Ensamblaje.	50
Instalación de Accesorios.	52
Operación.	54
Limpieza y Mantenimiento	58
Datos Técnicos.	61
Solución de Problemas	62



ADVERTENCIA

Indica “una situación potencialmente peligrosa que, de no evitarse, puede provocar la muerte o lesiones”.



PRECAUCIÓN

Indica “una situación potencialmente peligrosa que, de no evitarse, puede resultar en lesiones leves o moderadas o en daños materiales”.

Instrucciones de seguridad importantes

Al usar este producto, siempre se deben seguir precauciones básicas, incluidas las siguientes:



ADVERTENCIA

Lea todas las instrucciones antes de utilizar el producto.

Solo para uso doméstico. Para reducir el riesgo de incendio, descarga eléctrica o lesiones:

- Apague todos los controles antes de desconectar.
- Desconecte del tomacorriente antes de realizar el mantenimiento.
- No permita que se use como un juguete. Es necesario prestar mucha atención cuando lo utilicen niños o cerca de ellos.
- Este dispositivo puede ser utilizado por niños a partir de 8 años y personas con capacidades físicas, sensoriales o mentales reducidas o



**LEA Y CUMPLA CON
TODAS LAS INSTRUCCIONES
ANTES DE UTILIZAR ESTA MÁQUINA.**

**GUARDE ESTAS
INSTRUCCIONES**

Instrucciones de seguridad

Niveles de peligro



PELIGRO

Indica “una situación de peligro inminente que, de no evitarse, provocará la muerte o lesiones graves”.

falta de experiencia y conocimiento si han recibido supervisión o instrucciones sobre el uso del dispositivo de manera segura y comprenden los riesgos involucrados.

- La limpieza y el mantenimiento del usuario no deben ser realizados por niños sin supervisión.
- Utilice únicamente lo que se describe en este manual.
- Utilice únicamente accesorios recomendados por el fabricante.
- No lo use con el cable o el enchufe dañados. Si el dispositivo no funciona como debería, se ha caído, dañado, se ha dejado al aire libre o se ha caído al agua, póngase en contacto con el servicio de atención al cliente. Seleccione las instrucciones para los servicios de garantía.
- No desconecte tirando del cable. Para desconectar, tire del enchufe, no del cable.
- No manipule el enchufe o el aparato con las manos mojadas.
- No coloque ningún objeto en las aberturas. No utilice el dispositivo si las aberturas están bloqueadas; manténgalo libre de polvo, pelusas, pelos y cualquier cosa que pueda reducir el flujo de aire.
- Mantenga el cabello, la ropa suelta, los dedos y todas las partes del cuerpo alejados de las aberturas y las piezas móviles.
- Tenga especial cuidado al limpiar las escaleras.
- No lo use para recoger líquidos inflamables o combustibles, como gasolina, o donde puedan estar presentes.

PRECAUCIÓN

Riesgo de lesiones. El cepillo puede comenzar inesperadamente. Retire el dispositivo desde la estación de carga y/o desconecte el dispositivo del cargador antes de la limpieza o el mantenimiento.

- Apague siempre este dispositivo antes de conectar o desconectar la boquilla motorizada.
- No recoja nada que esté ardiendo o humeando, como cigarrillos, fósforos o cenizas calientes.
- No utilice sin el depósito de polvo y los filtros en su lugar

PRECAUCIÓN

- Proteja el dispositivo de condiciones climáticas extremas, humedad y calor.
- Rango de temperatura de funcionamiento: 41 -104 °F (5 - 40 °C)
- Rango de temperatura de almacenamiento: -4 -113 °F (-20 - 45 °C)

ADVERTENCIA

Lea todas las advertencias de seguridad e instrucciones. No seguir las advertencias e instrucciones puede resultar en desgarras eléctricas, incendios y/o heridas graves.

- Desconecte la batería del dispositivo antes de realizar cualquier ajuste, cambiar accesorios o almacenar el dispositivo. Estas medidas preventivas de seguridad reducen el

- riesgo de arranque accidental del dispositivo.
- Para usar solo con el tipo de batería:
Para VCN 3 Cordless - 8.759-984.0
Para VCN 4 Cordless y VCN 5 Cordless - 8.759-985.0
 - Evite el encendido involuntario. Asegúrese de que el interruptor esté en la posición de apagado antes de conectar a la batería, recoger o llevar el dispositivo. Llevar el dispositivo con su dedo en el interruptor o cargar el dispositivo mientras el interruptor puede resultar en un accidente o lesión.
 - Recarga solo con el cargador especificado por el fabricante. Un cargador que sea adecuado para un tipo de baterías puede crear un riesgo de incendio cuando se usa con otra batería.
 - Use dispositivos solo con baterías específicamente designadas. El uso de cualquier otra batería puede crear un riesgo de lesiones e incendios.
 - Cuando la batería no esté en uso, manténgala alejada de otros objetos metálicos, como sujetapapeles, monedas, llaves, clavos, tornillos u otros objetos metálicos pequeños, que puedan establecer una conexión de un terminal a otro. Un cortocircuito entre los terminales de la batería puede provocar quemaduras o un incendio.
 - En condiciones abusivas, el líquido puede escaparse de la batería; evitar el contacto. En caso de contacto accidental, enjuague con agua. Si el líquido entra en contacto con los ojos, busque atención médica. El líquido expulsado de la batería puede causar irritación o quemaduras.
 - No utilice baterías o dispositivos dañados o modificados. Las baterías dañadas o modificadas pueden comportarse de forma impredecible y provocar incendios, explosiones o riesgo de lesiones.
 - No exponga la batería ni el dispositivo al fuego ni a temperaturas excesivas. La exposición al fuego o a temperaturas superiores a 130 °C (265 °F) puede provocar una explosión.
 - Siga todas las instrucciones de carga y no cargue la batería o el dispositivo fuera del rango de temperatura especificado en las instrucciones. La carga incorrecta o la carga a temperaturas fuera del rango especificado pueden dañar la batería y aumentar el riesgo de incendio.
 - Este dispositivo contiene baterías que solo pueden ser reemplazadas por personal calificado.
 - Asegúrese de que el servicio sea realizado por un técnico calificado usando solo piezas de repuesto idénticas. Esto garantizará la seguridad del producto.
 - No modifique ni intente reparar el dispositivo o la batería excepto como se describe en las instrucciones de uso y cuidado.

PRECAUCIÓN

- Nunca utilice el aparato sin filtro. Esto podría dañar el dispositivo.
- No utilice estropajos, limpiacristales o limpiadores multiusos para limpiar.
- El dispositivo no debe utilizarse al aire libre o sobre superficies mojadas.

Carga



ADVERTENCIA

- Cargue el dispositivo únicamente con el cargador original suministrado o con un cargador aprobado por KÄRCHER.

Tipo de dispositivo:

VCN 3 - 1.012-910.0

VCN 4 - 1.012-911.0

VCN 5 - 1.012-912.0

Utilice el siguiente adaptador:
8.759-983.0 Cargador de batería

Uso previsto

El dispositivo está diseñado para uso doméstico y no con propósitos comerciales.

NOTA: El fabricante no se hace responsable de los daños causados por un uso inadecuado o incorrecto. El dispositivo solo puede equiparse con repuestos originales, accesorios originales y accesorios especiales originales.

NOTA: Antes de utilizar el dispositivo, debe leer y comprender las instrucciones de uso y las instrucciones de seguridad.

Asegúrese de que los usuarios que no dominan el inglés reciban una explicación del manual del usuario y las instrucciones de seguridad en su idioma nativo y que las entiendan por completo. Asegúrese de que el manual del operador y las

instrucciones de seguridad estén disponibles en todo momento.

Responsabilidad del propietario/usuario

El propietario y/o el usuario deben comprender bien las instrucciones de servicio y advertencias del fabricante antes de empezar a utilizar esta aspiradora. Debe prestarse especial atención y tener muy claras las advertencias. Si el operador no habla bien el español, el propietario/comprador debe responsabilizarse de leer y comentar las instrucciones y las advertencias en su lengua natal, y asegurarse de que entienda a la perfección su contenido. El propietario y/o el usuario deben leer y guardar como referencia para el futuro las instrucciones del fabricante.

Uso inapropiado

- Aspirado de:
 - Sustancias peligrosas para la salud, afiladas, calientes o brillantes
 - Sustancias húmedas o líquidas
 - Sustancias o gases altamente inflamables o explosivos.

Protección del medioambiente



El material de embalaje se puede reciclar. Deseche el embalaje de acuerdo con las normas medioambientales.



Los dispositivos eléctricos y electrónicos contienen materiales valiosos y, a menudo,

componentes como baterías, baterías recargables o aceite que, si se manipulan o desechan de forma incorrecta, pueden representar una amenaza potencial para la salud humana y el medio ambiente. Sin embargo, estos componentes son necesarios para el correcto funcionamiento del dispositivo. Los dispositivos marcados con este símbolo no deben desecharse con la basura doméstica.

Nota sobre los materiales (REACH)

Encontrará información actualizada sobre los materiales en:
www.kaercher.com/REACH

GUARDE ESTAS INSTRUCCIONES

Servicio al cliente

Registro

Su dispositivo debe estar registrado para poder ayudarlo con cualquier pregunta o problema que tenga. Puede registrar su dispositivo en www.karcher-register, si se encuentra en EE. UU., www.karcher.com/ca si se encuentra en Canadá o www.karcher.com/mx si se encuentra en México.

Garantía

En el caso de una reclamación de garantía, puede ponerse en contacto con el servicio de atención al cliente. Consulte la información de contacto que se detalla a continuación para EE. UU., Canadá o México. DEBE proporcionar su comprobante de

compra para presentar un reclamo de garantía por correo electrónico, teléfono o fax.

Su aspiradora VCN 3/4/5 está cubierta por una garantía total de 3 años para uso residencial (el uso comercial no está cubierto). Consulte los detalles de la garantía en la página de destino de VCN a la que se puede acceder a través del código QR en la máquina.

Atención al cliente de EE. UU.

Puede comunicarse con nuestro departamento de Atención al cliente por teléfono al **1-800-537-4129** o a través del sitio web en www.karcher-help.com.

Atención al cliente de Canadá

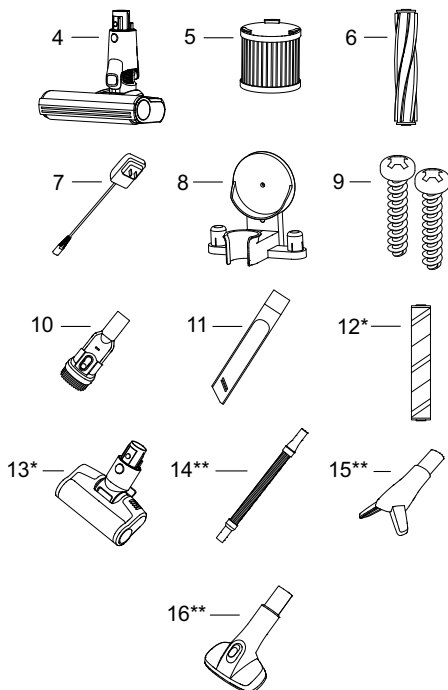
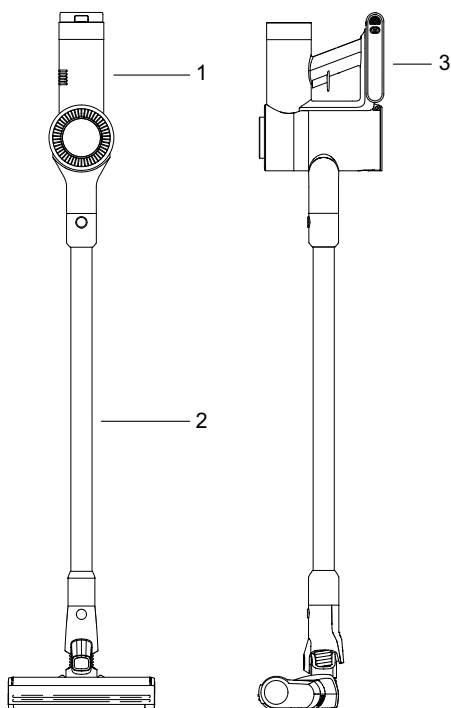
Puede comunicarse con nuestro departamento de Atención al cliente por teléfono al **1-800-465-4980** o a través del sitio web en www.karcher.com/ca.

Atención al cliente de México

Puede comunicarse con nuestro departamento de Servicio al Cliente al teléfono **01-800-024-13-13** o a través del sitio web www.karcher.com/mx

Alcance de la entrega

Contenido de la caja



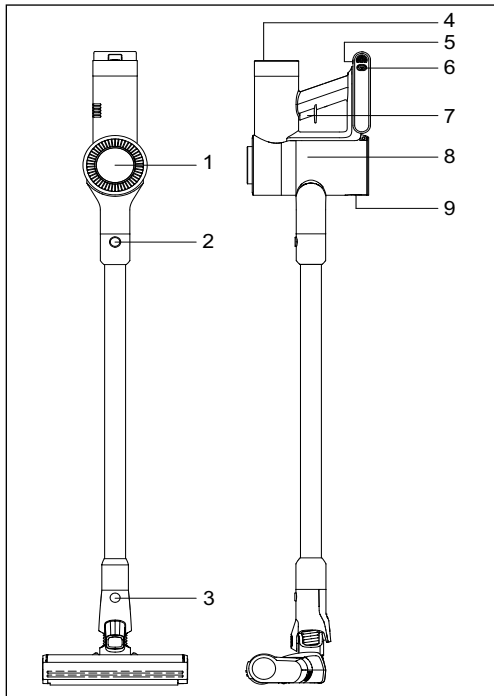
Nota: * VCN 4 & 5 Solamente, ** VCN 5 Solamente

1. Aspiradora de mano
2. Tubo de conexión
3. Batería
4. Cepillo de piso
5. Conjunto de filtro HEPA
6. Cepillo de rodillos multiusos
7. Cargador de batería
8. Soporte de almacenamiento de pared
9. Tornillos (montaje de almacenamiento)

10. Cepillo para polvo 2 en 1
11. Herramienta para grietas
12. Rodillo esponjoso para piso duro
13. Cepillo para tapicería
14. Manguera elástica
15. Herramienta para tapicería
16. Cepillo para mascotas

Lista de empaque

Modelo:	VCN 3 Cordless	VCN 4 Cordless	VCN 5 Cordless
Número de parte:	1.012-910.0	1.012-911.0	1.012-912.0
Soporte de pared:	1	1	1
Cargador de batería	1	1	1
Batería de iones de litio reemplazable/extraíble	1 (2500 mAh)	1 (3000 mAh)	1 (3000 mAh)
Tubo de conexión	1 (Negro)	1 (Plata)	1 (Blanco)
Cepillo para piso	1	1	1 (w/LED)
Herramienta para grietas	1	1	1
Cepillo para polvo 2 en 1	1	1	1
Cepillo multiusos	1	1	1
Rodillo para suelos duros		1	1
Cepillo para tapicería		1	1
Manguera elástica			1
Cepillo para mascotas			1
Herramienta para tapicería			1



Conexión y elementos operativos

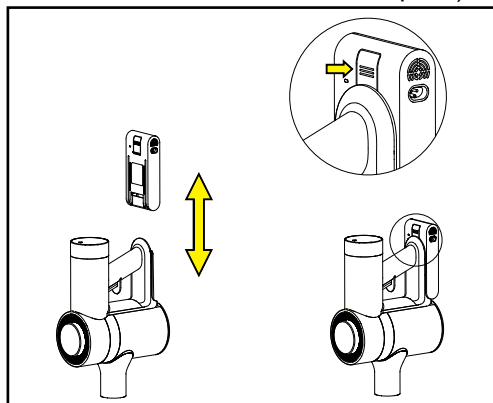
1. Conjunto de filtro HEPA
2. Botón de liberación del tubo
3. Botón de liberación del cepillo para pisos
4. Botón de control de velocidad
5. Botón de liberación de la batería
6. Puerto de carga
7. Botón de encendido/apagado
8. Depósito de polvo
9. Botón de liberación de la cubierta inferior del depósito de polvo

NOTA: Desconecte la alimentación eléctrica durante el montaje y desmontaje del producto.

Ensamblaje

Montaje y desmontaje de la batería

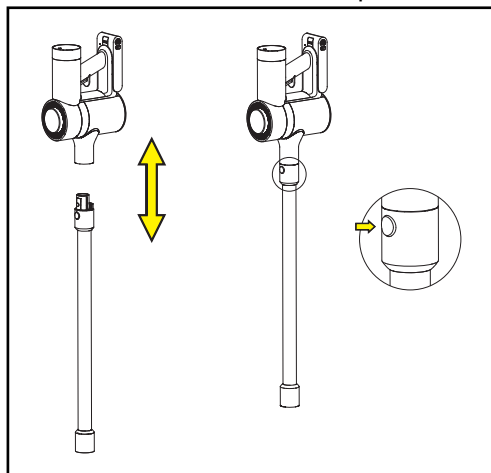
1. Sujete la batería e insértela a lo largo de la ranura guía. Después de escuchar un “clic”, asegúrese de que la batería esté bien apretada, segura y bloqueada en su lugar.
2. Para extraer la batería, pulse el botón de liberación de la batería y tire de ella en la dirección opuesta. (Además de sustituir la batería, no es necesario extraerla de la máquina).



Desmontaje y montaje del tubo de conexión

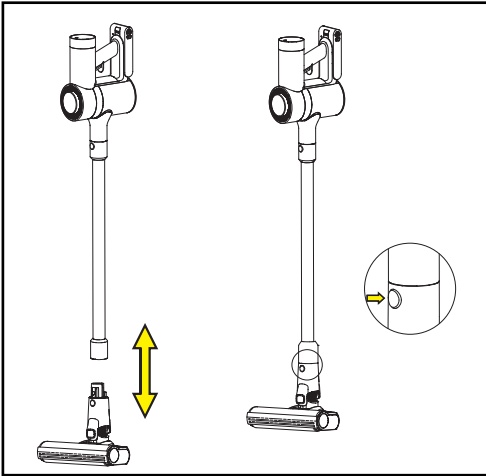
1. Alinee el extremo del botón del tubo de conexión e introdúzcalo en la aspiradora de mano. Una vez colocado, asegúrese de que el tubo de conexión esté bien apretado y sujeto.

2. Para retirar el tubo de conexión, pulse el botón de liberación del tubo de conexión (como se muestra en la figura). A continuación, extraiga el tubo de conexión de la aspiradora.



Desmontaje y montaje del cepillo para suelos

1. Alinee el conector superior del cepillo para suelos con el extremo del tubo de conexión (sin botón) e introdúzcalo en el orificio del tubo. Una vez encajado en su sitio, asegúrese de que el cepillo para suelos esté bien apretado y sujeto.
2. Si desea extraer el cepillo, pulse el botón de liberación del cepillo (como se muestra en la figura) y tire del cepillo para suelos para sacarlo del tubo.



NOTA: Utilice herramientas de montaje adecuadas para el montaje en pared.

NOTA: Tenga en cuenta el peso del aparato y la capacidad de carga del lugar de instalación a la hora de elegir las fijaciones.

ADVERTENCIA

Riesgo de descarga eléctrica y lesiones

Asegúrate de que no haya cables eléctricos, tuberías de agua o de gas en la pared alrededor de la zona de montaje.

Instalación del soporte de pared

Para guardar cómodamente la aspiradora de mano y sus accesorios, este producto incluye un soporte de almacenamiento especialmente diseñado para colgar y guardar la unidad.

NOTA: Fije el soporte de pared a un punto adecuado con los tornillos suministrados. (Añada anclajes de pared si lo considera necesario para fijar el soporte a la pared).

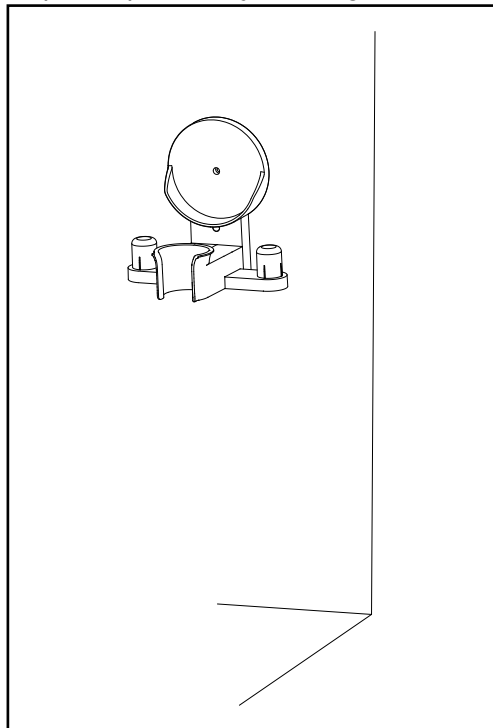
PRECAUCIÓN

Daños materiales debidos a una instalación incorrecta

NOTA: Una instalación incorrecta puede dañar el aparato, la pared y el revestimiento del suelo en caso de caída.

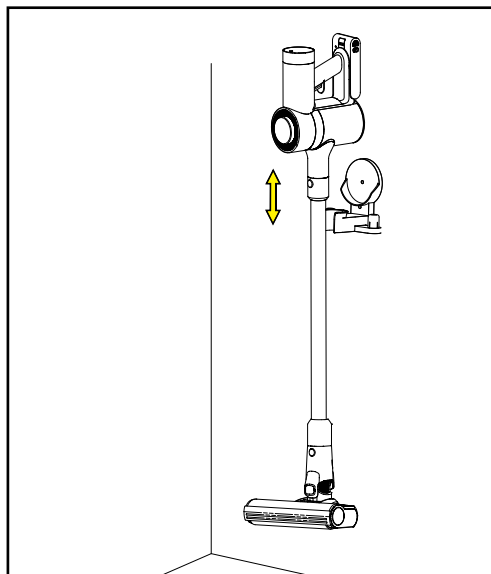
1. Coloque la aspiradora de mano montada en el soporte en posición vertical cerca del suelo. La altura debe ser suficiente para que el cepillo de la aspiradora montada no toque el suelo.
2. Una vez determinada la altura correcta del soporte, sujetando el soporte en su sitio, retire la aspiradora de mano, marque la ubicación del orificio en el centro del soporte, coloque el tornillo y apriételo hasta que quede apretado contra la pared.
3. Una vez instalado el tornillo central, asegúrese de que el soporte esté nivelado, luego marque el orificio inferior, coloque el tornillo y apriételo contra la pared.

NOTA: No instale el soporte en una pared que se moje con regularidad.



Uso del soporte de pared

1. Mientras sujeta el tubo de conexión de la aspiradora, levántela. Con la parte inferior del contenedor de polvo orientada hacia la pared, coloque el tubo de conexión en el soporte y, a continuación, coloque con cuidado la parte superior de la máquina sobre el soporte.
2. Cuando esté listo para utilizar la máquina, sáquela del soporte agarrando el tubo de conexión con la mano y levantando la máquina hacia arriba.



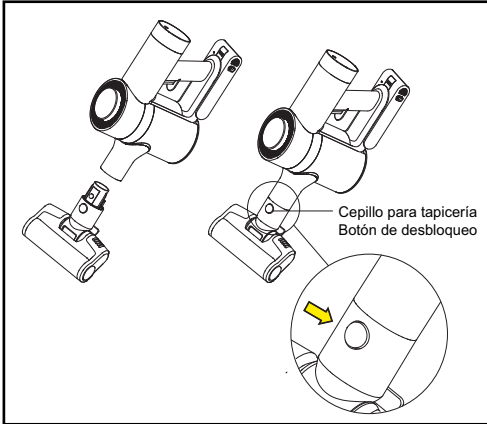
Instalación de accesorios

Este producto está equipado con accesorios para optimizar la aspiradora para una variedad de usos. Los accesorios se pueden utilizar con la parte portátil de la aspiradora o se pueden conectar al tubo de conexión cuando se acoplan a la aspiradora.

Cepillo para tapicerías

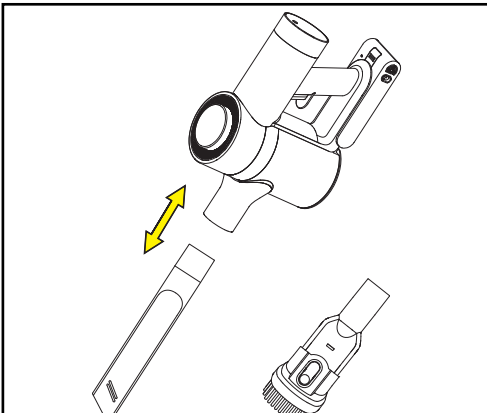
1. Conecte el aspirador de mano al cepillo para tapicerías.
2. Alinee el conector del cepillo para tapicerías e introdúzcalo en el puerto de la aspiradora de mano. Una vez colocado, asegúrese de que el cepillo para tapicerías está bien sujeto. Si desea extraer el cepillo para tapicerías, simplemente pulse el botón de liberación del cepillo (como se muestra en la figura) y, a

continuación, tire del cepillo para tapicerías para extraerlo de la aspiradora.

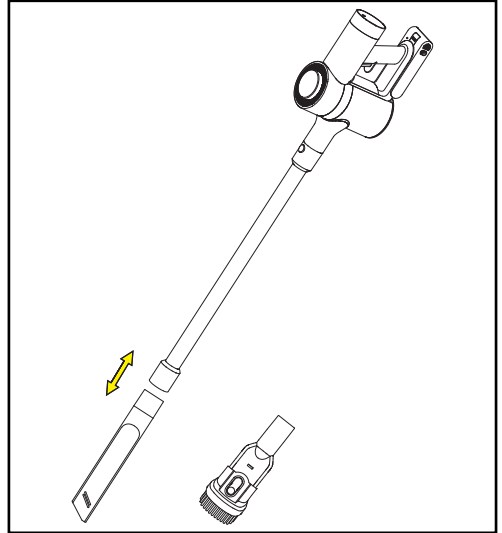


Herramienta para grietas, cepillo para polvo 2 en 1

1. Para conectar la aspiradora de mano al accesorio para grietas o al accesorio de cepillo dos en uno: Alinee el orificio circular en el accesorio para rincones o al accesorio de cepillo 2 en 1 con el orificio de succión en la aspiradora de mano, luego insértelo en el dirección que se muestra en la figura.

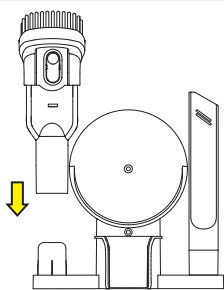


2. Para conectar la aspiradora de mano a la herramienta para grietas o al accesorio de cepillo 2 en 1 con el tubo de metal conductor: Alinee el orificio circular de la herramienta para grietas o al accesorio de cepillo dos en uno. Inserte el accesorio en el orificio del tubo conductor en la posición que se muestra en la figura hasta que quede en su lugar.



Almacenamiento de accesorios

Preinstale el soporte en una pared limpia (como se muestra en la sección "Instalación del soporte de pared"). Cuando haya terminado de usar los accesorios, puede guardarlos cómodamente en el soporte.



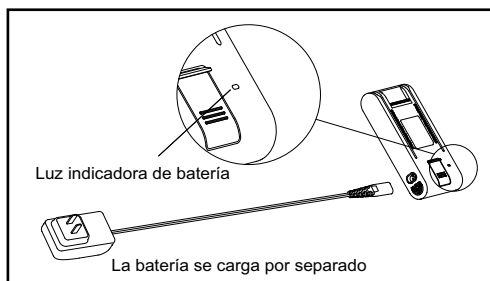
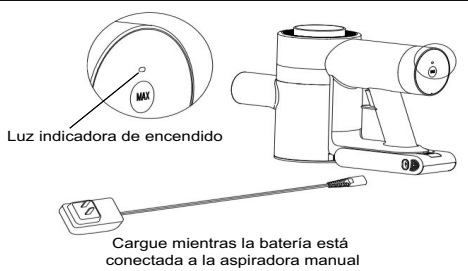
Operación

Carga de la máquina VCN 3

Cargue la aspiradora antes de que se descargue la batería. Si el voltaje es demasiado bajo, la aspiradora se apagará automáticamente para proteger la batería.

1. Inserte el adaptador en el puerto de carga de la batería y conéctelo a la red eléctrica para cargarla.
2. Cuando la batería se introduce en el aspirador de mano para cargarlo, la luz indicadora del aspirador de mano se muestra de la siguiente manera: cuando la luz roja parpadea, se está cargando; cuando la luz se vuelve verde, está completamente cargado. La batería también se puede extraer de la aspiradora de mano para cargarla.

El indicador de carga de la batería se muestra de la siguiente manera: cuando la luz roja parpadea, se está cargando; cuando la luz se vuelve verde, la batería está completamente cargada.



NOTA: Antes de utilizar la máquina por primera vez, asegúrese de que la batería está completamente cargada. Cuando utilice la máquina por primera vez, hágalo hasta que se agote la carga para garantizar la duración de la batería.

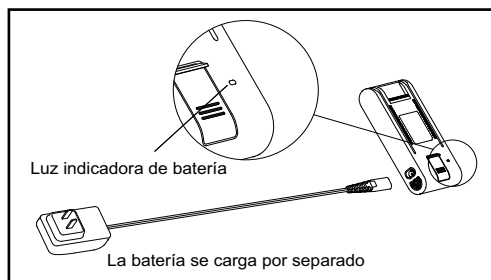
NOTA: Si la máquina no se utiliza y se almacena durante mucho tiempo, cargue el producto una vez cada tres meses. Asegúrese de utilizar el adaptador suministrado para la carga.

NOTA: Cuando la máquina no se esté cargando, retire el adaptador de carga de la toma de corriente.

Carga de las máquinas VCN 4 y VCN 5

Cargue la aspiradora antes de que se descargue la batería. Si el voltaje es demasiado bajo, la aspiradora se apagará automáticamente para proteger la batería.

1. Cuando se introduce la batería en el aspirador de mano para cargarlo, la pantalla del aspirador de mano muestra la potencia actual y “Cargando” en la pantalla durante la carga.
2. La batería también puede extraerse del aspirador de mano para cargarla. Durante la carga, la luz indicadora de la batería parpadea de la siguiente manera: cuando la luz roja parpadea, la batería se está cargando; cuando la luz se vuelve verde, la batería está completamente cargada.

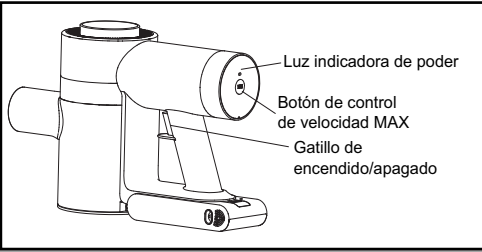


Encendido inicial VCN 3

Quando se utiliza la aspiradora de mano, el gatillo de encendido/apagado se utiliza para encender o apagar la aspiradora.

1. Apriete el gatillo de encendido/apagado para arrancar la máquina. El indicador se iluminará en verde fijo. La velocidad por defecto, una vez encendida la máquina, es el modo ECO; pulse el botón de control de velocidad (MAX) para pasar al modo MEDIO, pulse de nuevo el botón de control de velocidad (MAX) para pasar al modo MAX.
2. Pulsando el botón de control de velocidad se pueden alternar las velocidades según el ECO-MEDIUM-MAX.
3. Por último, pulse el gatillo de encendido/apagado para apagar la máquina.

NOTA: Cuando la potencia es inferior al 20%, la máquina pasa automáticamente al modo de ahorro de energía, y cambia al modo ECO y no puede cambiar al modo MEDIO o MAX



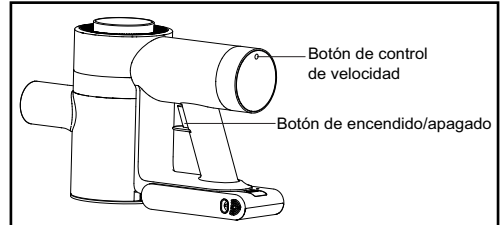
Encendido inicial VCN 4 y VCN 5

Cuando se utiliza la aspiradora de mano, el interruptor de encendido/apagado se utiliza para encender o apagar la aspiradora.

1. Apriete el gatillo de encendido/apagado para arrancar la máquina. El indicador de encendido se iluminará en verde. La velocidad por defecto, una vez encendida la máquina, es el modo ECO; pulse el botón de control de velocidad para cambiar al modo MEDIO, pulse de nuevo el botón de control de velocidad para cambiar al modo TURBO.
2. Pulse el interruptor de encendido/apagado para apagar la máquina.

Además, la aspiradora de mano está diseñada con una luz indicadora de tres colores para mejorar la experiencia del usuario. Tras encender el aparato, la luz muestra el color correspondiente a cada velocidad. Por ejemplo, la luz azul indica el modo medio, la luz roja indica el modo turbo, la luz verde indica el modo ECO.

Cuando la potencia es inferior al 20%, la máquina pasa automáticamente al modo de ahorro de energía, y pasa al modo ECO y no es posible pasar al modo TURBO.



Uso del cepillo para suelos

Para todos los modelos, el cepillo eléctrico para pisos con cepillo giratorio multiusos se puede usar para aspirar alfombras de pelo corto, tapetes y pisos duros.

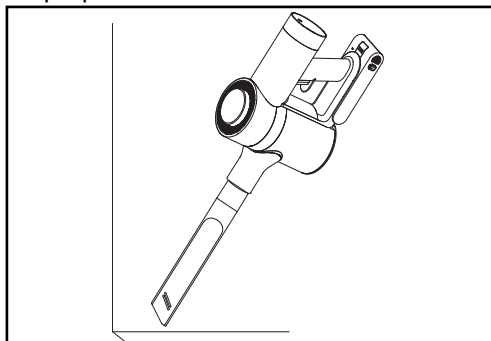
Para VCN 4 y VCN 5, el cepillo de rodillo esponjoso para piso duro incluido solo se puede usar en superficies de pisos duros para mejorar el rendimiento de limpieza.

NOTA: Cuando el cepillo eléctrico para suelos está en funcionamiento, si se aspiran demasiados objetos extraños o si se enredan demasiadas fibras en la cámara del cepillo, éste se detendrá bruscamente y se cortará la alimentación del cepillo para proteger la seguridad personal y evitar daños en el motor del cepillo de rodillos.

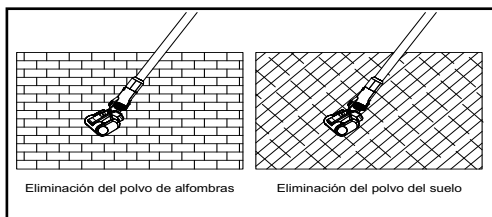
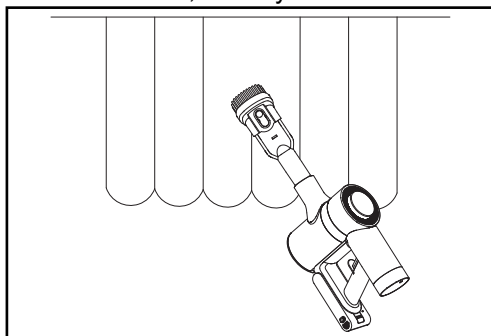
Para VCN 4 y VCN 5, se producirá el mismo comportamiento si se utiliza el cepillo de rodillo esponjoso para suelos duros en alfombras o tapetes.

Uso del accesorio para grietas y el cepillo 2 en 1

La herramienta para grietas es adecuada para limpiar hendiduras, esquinas estrechas y otros espacios pequeños.

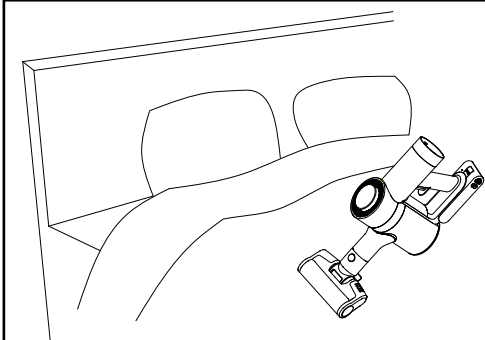


Este cepillo 2 en 1 es adecuado para limpiar el polvo de persianas, marcos de ventanas, sofás y encimeras.



Utilización del cepillo para tapicería

Este accesorio está diseñado específicamente para sofás y colchones.



Limpieza y mantenimiento

Notificaciones de mantenimiento VCN 4 & VCN 5

La máquina muestra notificaciones cuando es necesario realizar determinadas operaciones de mantenimiento o si la batería se está sobrecalentando. Los mensajes y sus definiciones son los siguientes:

1. **Cambie el filtro** - sustituya el filtro HEPA por uno nuevo de un distribuidor autorizado.
2. **Limpiar el cepillo**: desmonte y limpie el cepillo. Consulte la sección “Limpiar, cambiar o reemplazar el conjunto cepillo de rodillo” de este manual.

3. **Conducto de aire obstruido** - compruebe que el tubo de conexión, la boca de aspiración del aspirador y la ventosa no estén obstruidos. Retírelos en consecuencia.
4. **Sobrecalentamiento de la batería** - La batería de la máquina se está sobrecalentando. Apague la máquina inmediatamente.

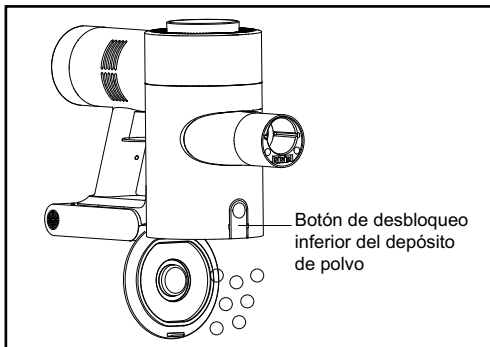


Limpeza del contenedor de polvo

El HEPA de entrada de aire se puede comprar al proveedor de la aspiradora; (HEPA Assembly: 8.759-986.0)

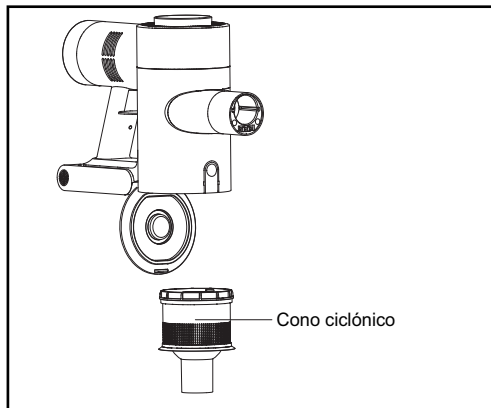
NOTA: Se recomienda vaciar el depósito de polvo después de cada uso. Demasiado polvo puede bloquear el filtro HEPA. Después de varios usos, puede necesitar limpieza o lavado. Sustituya el filtro cuando sea necesario. Después de usar el cepillo multiusos durante mucho tiempo, sus cerdas pueden enredarse con pelos y otros objetos. El cepillo debe limpiarse regularmente para que la aspiradora funcione eficazmente.

1. Pulse el botón de desbloqueo del depósito de polvo para abrir la tapa inferior y vaciar el polvo.



Limpeza del sistema de filtrado

1. Gire el conjunto del cono ciclónico con la mano para separarlo del aspirador de mano para su limpieza.

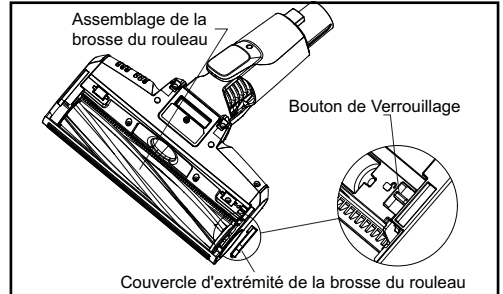


Limpeza del filtro HEPA

1. Gire la tapa decorativa del filtro HEPA con la mano, en sentido contrario a las agujas del reloj, como se muestra en la figura, para extraer el conjunto del filtro HEPA de la aspiradora de mano.
2. Gire el filtro de aire HEPA en la dirección indicada en la figura para separar la cubierta decorativa del filtro HEPA del conjunto del filtro HEPA.

NOTA: El filtro HEPA puede lavarse con agua. Después del lavado, debe estar completamente seco antes de la instalación y antes de utilizar la máquina. (El lavado frecuente del filtro HEPA afectará a su capacidad de filtrado. Se recomienda quitar el polvo después de limpiarlo regularmente, lavarlo con agua cuando esté sucio y sustituirlo si es necesario).

cepillo de rodillo. Cuando oiga un “clic”, la instalación habrá finalizado.



Mantenimiento diario

Después de cada uso, se recomienda limpiar el filtro HEPA, el cepillo del rodillo y la cubierta transparente para el siguiente uso.

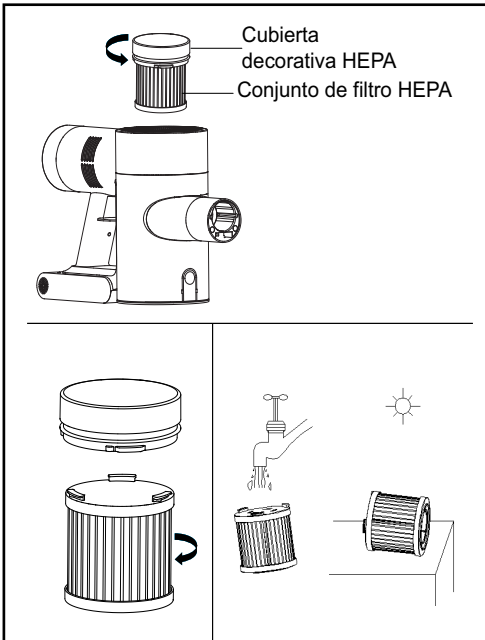
Dependiendo de las circunstancias, cuando se dan las siguientes situaciones:

- El polvo se filtra en el filtro HEPA
- Las cerdas del cepillo del rodillo se caen durante o después del uso.
- Fuertes vibraciones y ruidos anormales

Se recomienda adquirir las piezas de repuesto en un centro de servicio certificado y sustituir las para que el rendimiento de la máquina no se vea afectado.

Si va a almacenar la máquina durante un largo periodo de tiempo, guárdela en un lugar fresco y seco, alejada de la luz solar directa y de la humedad.

Si tiene que empacar el dispositivo para guardarlo, asegúrese de limpiarlo y secar todas las piezas para evitar daños.



Limpiar, cambiar o reemplazar el conjunto cepillo de rodillo

1. Para retirar el cepillo del rodillo, gire el botón de bloqueo en la dirección de la flecha y el capuchón del cepillo del rodillo saldrá automáticamente.
2. Levante la tapa situada en el extremo del cepillo para rodillos, lo que permitirá extraer el cepillo de la ranura para su limpieza.
3. Después de limpiar o reemplazar (para VCN 4 y VCN 5, cambiar a otros tipos de rodillos), puede instalar el conjunto del cepillo de rodillo en el orden inverso al desmontaje y presionar la tapa del extremo del

Datos técnicos

	1.012-910.0	1.012-911.0	1.012-912.0
Conexión eléctrica			
Entrada de tensión del cargador	100-240V	100-240V	100-240V
Frecuencia de potencia de carga	50-60 Hz	50-60 Hz	50-60 Hz
Voltaje nominal (batería)	25.2V	25.2V	25.2V
Tiempo de carga cuando la batería está completamente descargada	240±30 min	300±30 min	300±30 min
Capacidad de la batería	2500 mAh	3000 mAh	3000 mAh
Tipo de batería	Batería de iones de litio removible	Batería de iones de litio removible	Batería de iones de litio removible
Potencia nominal	500W	500W	600W
Potencia nominal (portátil)	450W	450W	550W
Potencia nominal (Cepillo para suelo)	50W	50W	50W
Datos de rendimiento del dispositivo			
Capacidad del depósito de polvo	16.9 oz. (0.5L)	16.9 oz. (0.5L)	16.9 oz. (0.5L)
Ancho del recorrido de limpieza	10.0 in. (254mm)	10.0 in. (254mm)	10.0 in. (254mm)
Rendimiento de aspiración	130 AirWatts	130 AirWatts	165 AirWatts
Tiempo de funcionamiento con la batería totalmente cargada	ECO 59±5 min. MED 21±2 min. MAX 11±2 min.	ECO 71±5 min. MED 26±2 min. TURBO 17±2 min.	ECO 71±5 min. MED 26±2 min. TURBO 17±2 min.
Tipo de filtro (Según EN 1822)	HEPA H13	HEPA H13	HEPA H13
Modos de trabajo	3 (ECO, MEDIUM, MAX)	3 (ECO, MEDIUM, TURBO)	3 (ECO, MEDIUM, TURBO)
Nivel de potencia acústica	< 85 dB(A)	< 85 dB(A)	< 85 dB(A)
Dimensiones y peso			
Peso (sin accesorios)	6.0 lbs. (2.73 Kg)	6.0 lbs. (2.73 Kg)	6.0 lbs. (2.73 Kg)
Longitud	29.3 in. (743 mm)	29.3 in. (743 mm)	29.3 in. (743 mm)
Ancho	11.1 in. (280 mm)	11.1 in. (280 mm)	11.1 in. (280 mm)
Altura	6.7 in. (170 mm)	6.7 in. (170 mm)	6.7 in. (280 mm)

Número de serie

Solución de problemas



ADVERTENCIA

Desconecte la unidad de la fuente de alimentación, incluida la extracción de la batería, antes de realizar cualquier reparación.

Problema	Causa	Solución
La máquina no se enciende o se apaga durante el uso	Batería insuficiente	Cargue la máquina
	No se pulsa la tecla ON/OFF o se pulsan otras teclas al mismo tiempo	Pulse de nuevo el botón de encendido/apagado por separado
	Enredo grave de las cerdas	Limpie del cepillo del rodillo
	La batería no está instalada en su sitio	Vuelva a instalar la batería
	El conducto de aire está obstruido	Limpie el conducto de aire y el filtro
Ruido anormal de la máquina	El conducto de aire está obstruido	Limpie el conducto de aire y el filtro
	Falta el filtro HEPA	Instale un filtro HEPA
Baja potencia de succión	El conducto de aire o el filtro está obstruido	Limpie el conducto de aire o el filtro



THANK YOU!

MERCI! ¡GRACIAS!



Register your product and benefit from many advantages.

Enregistrer votre produit et bénéficier de nombreux avantages.

Registre su producto y aproveche muchas ventajas.

www.kaercher.com/welcome



Rate your product and tell us your opinion.

Évaluer votre produit et donner votre opinion.

Reseñe su producto y díganos su opinión.

Kärcher North America Inc.,

6398 Kärcher Way

Aurora, CO 80019

Tel: 1-800-537-4129

Kärcher Canada Inc.,

275 Pendant Drive, Mississauga, Ontario

L5T 2S2W9

Tel: +1-800-465-4980

Kärcher México S.A. de C.V.,

Circuito Poetas 68.

Col Ciudad Satélite, Naucalpan de Juárez,

Estado de México C.P. 53100, México

Tel: +52-55-2629-4900

www.kaercher.com/service

