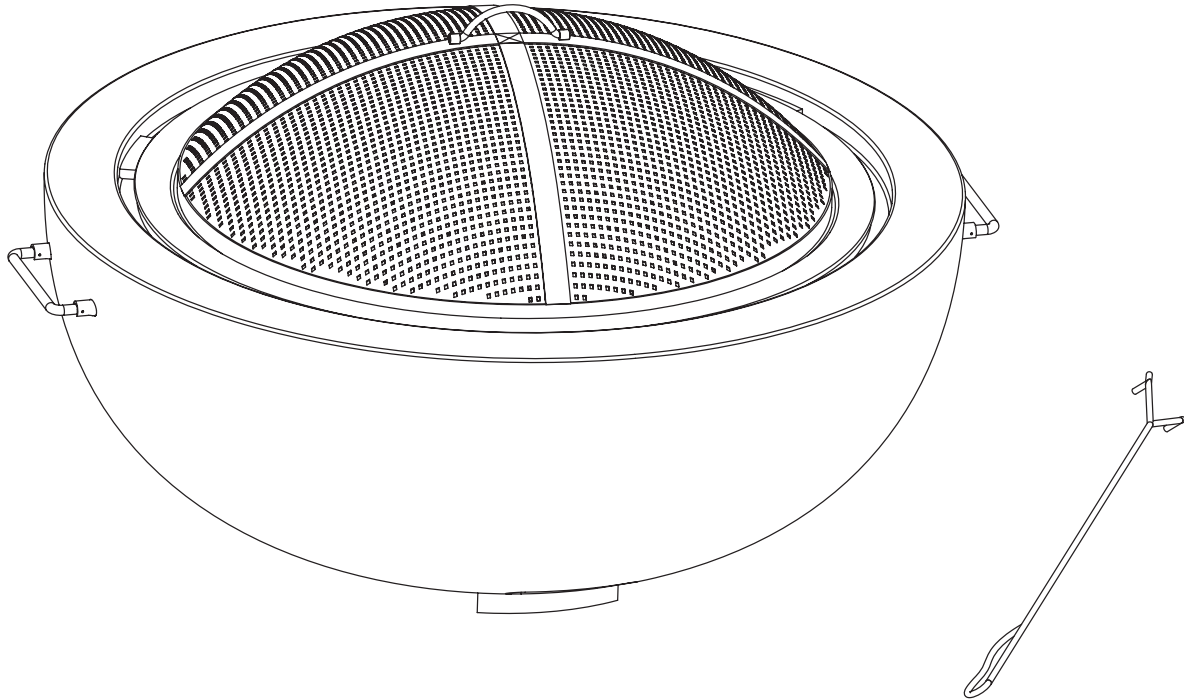




USE AND CARE GUIDE

36" Round Concrete Wood Burning Fire Pit

Item#
Model# FP20902



Questions, problems, missing parts? Before returning to the store,
call Hampton Bay Customer Service 8 a.m. - 7 p.m., EST, Monday - Friday, 9 a.m. - 6 p.m., EST, Saturday

855-HD-HAMPTON
HAMPTONBAY.COM

THANK YOU

We appreciate the trust and confidence you have placed in Hampton Bay through the purchase of this outdoor fire pit. We strive to continually create quality products designed to enhance your home. Visit us online to see our full line of products available for your home improvement needs. Thank you for choosing Hampton Bay!

Safety Information

Please read and understand this entire manual before attempting to assemble, operate or install the product.



WARNING: FOR OUTDOOR USE ONLY!
Burning wood and charcoal indoors can kill you. It gives off carbon monoxide, which has no odor.



WARNING: NEVER burn in vehicles, tents or indoors. **CARBON MONOXIDE HAZARD!**



WARNING: NEVER LEAVE FIRE UNATTENDED!



WARNING: When the fire pit is in use, the handle on the mesh spark screen can reach extreme temperatures that can cause serious injury to an unprotected hand. Use a poker when handling.



WARNING: DO NOT TOUCH the surface of the fire pit or the firebox while in use.



WARNING: DO NOT allow children or pets near the fire pit without supervision.



WARNING: NEVER place a storage cover on fire pit when in use. Ensure the fire pit and mesh spark screen have cooled before placing a storage cover over the fire pit.



FOR YOUR SAFETY: Surfaces of fire pit can remain extremely hot for a period after use. Allow 45 minutes to cool down before touching or moving the fire pit



CAUTION: Burn only 5 lbs/2.27kgs of charcoal, wood or fire logs in the fire pit.



CAUTION: DO NOT use gasoline or kerosene to start the fire in your fire pit.



CAUTION: DO NOT use this unit on a wood deck, long or dry grass and/or leaves, or on combustible surfaces.



CAUTION: Place the fire pit no closer than 8 ft / 2.4 meters from walls or combustibles during use.



CAUTION: DO NOT place or use the fire pit under a canopy of trees.



CAUTION: DO NOT attempt to move the fire pit while it is hot or in use.



CAUTION: Always ensure that the mesh spark screen is secured over the firebox while in use.



CAUTION: The poker handle may become hot during and after use.



WARNING: Always keep a fire extinguisher close by when having an open flame.



CAUTION: Use heat-resistant gloves to handle hot tools.



CAUTION: Adequate fire extinguishing material should be readily available.



WARNING: FUELS USED IN WOOD OR CHARCOAL BURNING APPLIANCES ,AND THE PRODUCTS OF COMBUSTION OF SUCH FUELS,CAN EXPOSE YOU TO CHEMICALS INCLUDING CARBON BLACK,WHICH IS KNOWN TO THE STATE OF CALIFORNIA TO CAUSE CANCER, AND CARBON MONOXIDE,WHICH IS KNOWN TO THE STATE OF CALIFORNIA TO CAUSE BIRTH DEFECTS OR OTHER REPRODUCTIVE HARM

For more information go to :www.P65Warnings.ca.gov

ADVERTENCIA:LOS COMBUSTIBLES USADOS EN EQUIPOS PARA QUEMAR MADERA O CARBON,ASI COMO LOS PRODUCTOS DE TAL COMBUSTION,PUEDEN EXPONERTE A SUSTANCIAS QUIMICAS,ENTRE ELLAS EL NEGRO DE HUMO Y EL MONOXIDO DE CARBONO, QUE EL ESTADO DE CALIFORNIA RECONOCE COMO CAUSA,RESPECTIVAMENTE,DE CANCER Y DE MALFORMACIONES CONGENITAS Y OTROS DANOS AL SISTEMA REPRODUCTOR.

Para mas informacion,visite www.P65Warnings.ca.gov

How to use the fire pit

Place the fire pit on dirt, stone, gravel or sand. Do not place on combustible surfaces.

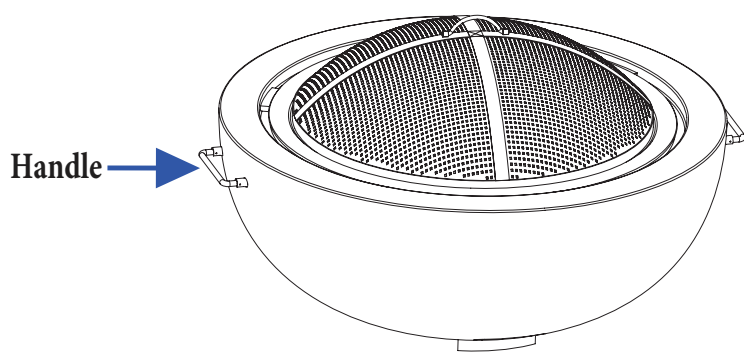
Before using, add a 1-1.5 in. layer of sand or about 5 lbs. to the bottom of the firebowl. This will help against the corrosive nature of the ashes and help radiate the heat upwards.

Care and Cleaning

- Allow the fire pit to cool completely before moving the fire pit.
- Use a soft cloth to wipe the fire pit and the poker.
- Do not attempt to clean while hot.
- Clean the firebox after each use once the ashes have cooled.
- Store in a cool, clean, dry place.

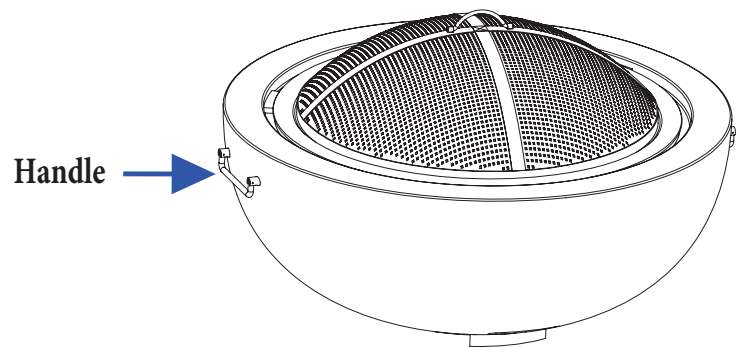
Caution:

- * The handles should be moved up before using the fire pit. See below figure for reference
- * Never touch the handle during using of the fire pit



Correct

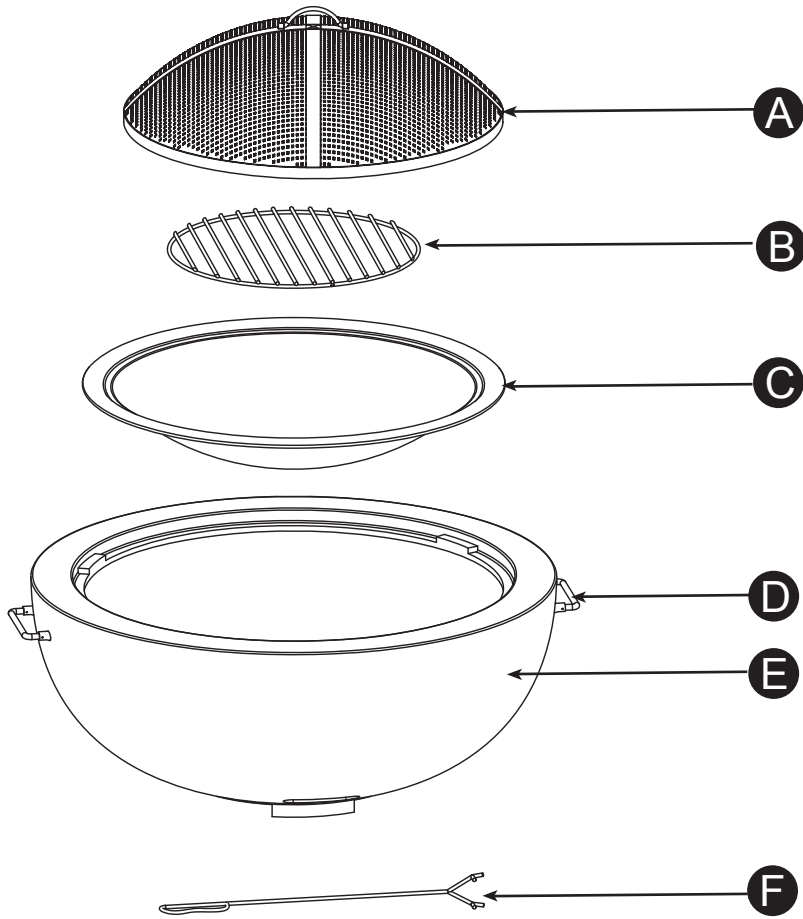
Move up the handle before using



Incorrect

Move down the handle before using is prohibited

PACKAGE CONTENTS



PART	DESCRIPTION	QUANTITY
A	Mesh Spark Screen	1
B	Rack	1
C	Fire Bowl	1
D	Handle	2
E	Body	1
F	Poker	1