

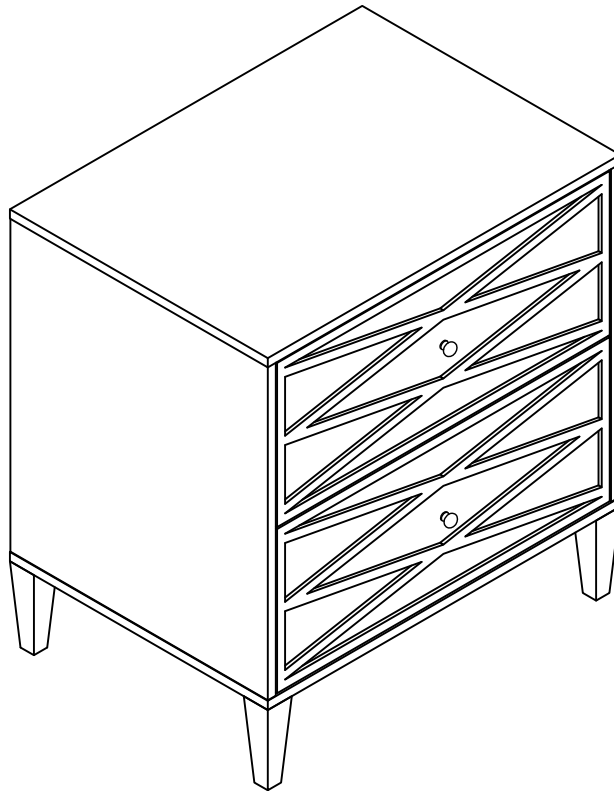
# HOME DECORATORS COLLECTION

Item #1004019278  
1004019289

Model #BF-25622-SG  
BF-25622-IV

## USE AND CARE GUIDE

**THD PRODUCT NAME: Standard Nightstand with  
2 drawers diamond trim**



Questions, problems, missing parts? Before returning  
to the store, Call Customer Service  
8 a.m. - 7p.m., EST, Monday - Friday, 9 a.m. - 6 p.m.,  
EST, Saturday

1-800-998-7021

[HOMEDEPOT.COM/HOMEDECORATORS](http://HOMEDEPOT.COM/HOMEDECORATORS)

---

#### THANK YOU

*We appreciate the trust and confidence you have placed in Home Decorators Collection through the purchase of this nightstand. We strive to continually create quality products designed to enhance your home. Visit us to see our full line of products available for your home improvement needs.*

*Thank you for choosing Home Decorators Collection!*

---

## Table of Contents

Table of Contents.....	2	Assembly.....	5
Safety Information.....	2	Maintenance.....	9
Warranty.....	2	Care and Cleaning.....	9
What is Covered.....	2		
What is Not Covered.....	2		
Pre-Assembly.....	3		
Planning Assembly.....	3		
Tools Required.....	3		
Hardware included.....	3		
Package contents.....	4		

## Safety Information

Read and understand these instructions before attempting to install or use this product.



**CAUTION:** Use caution when lifting heavy objects. Lifting heavy objects improperly could cause serious injury.



**NOTE:** Handle with care. Do not drop or handle roughly, as this could damage the linen cabinet.

## Warranty

### 3 YEAR WARRANTY

#### WHAT IS COVERED

We guarantee this product to be free of manufacturing defects to the original purchaser for one year.

#### WHAT IS NOT COVERED

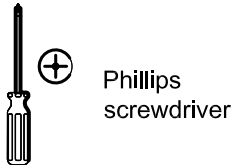
This warranty does not cover commercial use, acts of nature, and abusive use.

# Pre-Assembly

## PLANNING ASSEMBLY

Check the product for damage before installation. If any part of the product is missing or damaged, contact the Customer Service Team at 1-800-998-7021.

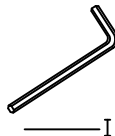
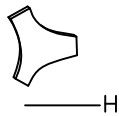
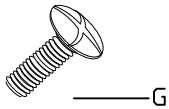
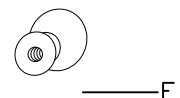
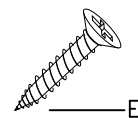
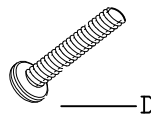
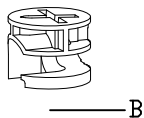
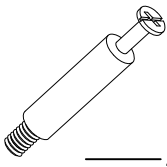
## TOOLS REQUIRED



## HARDWARE INCLUDED



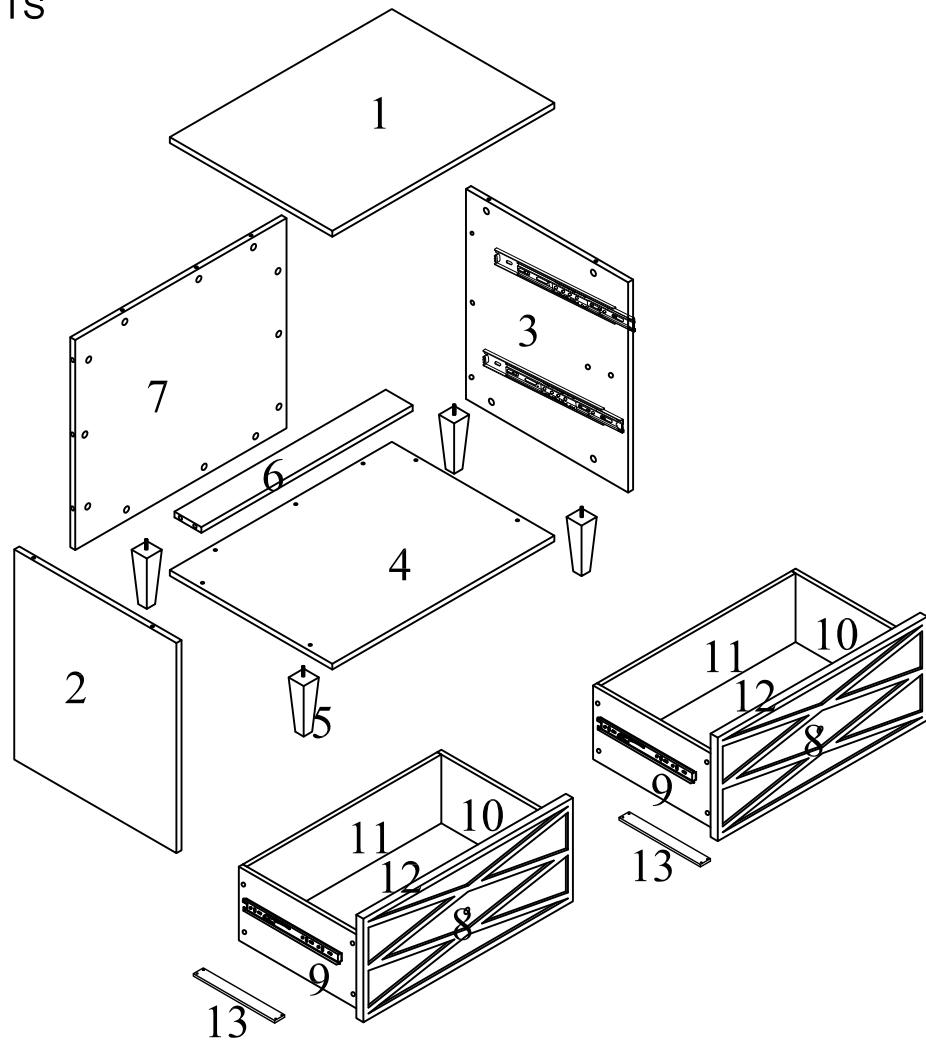
**NOTE:** Hardware not shown to actual size.



PART	DESCRIPTION	QUANTITY
A	CAM-BOLT	20
B	CAM-LOCK	20
C	DOWEL	6
D	BOLT	4
E	SCREW	24
F	KNOB	2
G	SCREW	2
H	CAM-TOOL	1
I	ALLEN WENCH	1

# Pre-Assembly

## PACKAGE CONTENTS

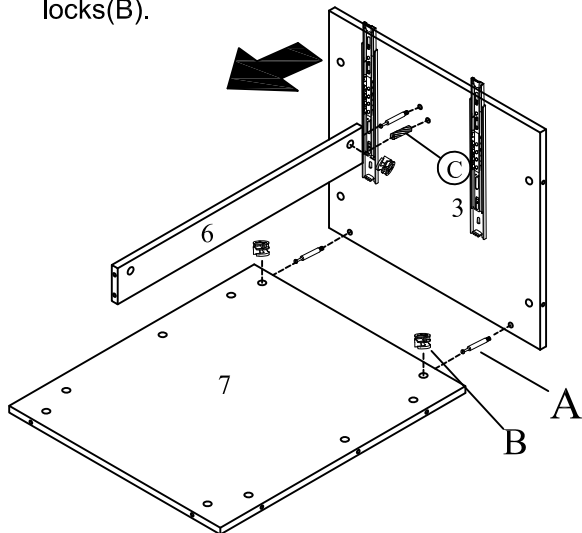


PART	DESCRIPTION	QUANTITY
1	TOP PANEL	1
2	LEFT SIDE PANEL	1
3	RIGHT SIDE PANEL	1
4	BOTTOM PANEL	1
5	FOOT	4
6	ACROSS PANEL	1
7	BACK PANEL	1
8	DRAWER FRONT PANEL	2
9	DRAWER LEFT SIDE PANEL	2
10	DRAWER RIGHT SIDE PANEL	2
11	DRAWER BACK PANEL	2
12	DRAWER BOTTOM PANEL	2
13	DRAWER SUPPORT PANEL	2

# Assembly

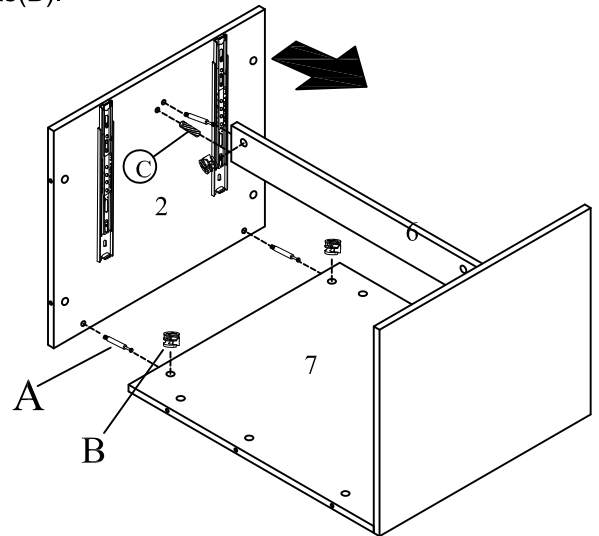
## 1 Assemble right side panel.

- Rotate 3 cam-bolts(A) and 1 dowel(C) into the holes in the right side panel(3).
- Place 3 cam-bolts(A) into the holes in the panel(6/7) and attach using 3 cam-locks(B).



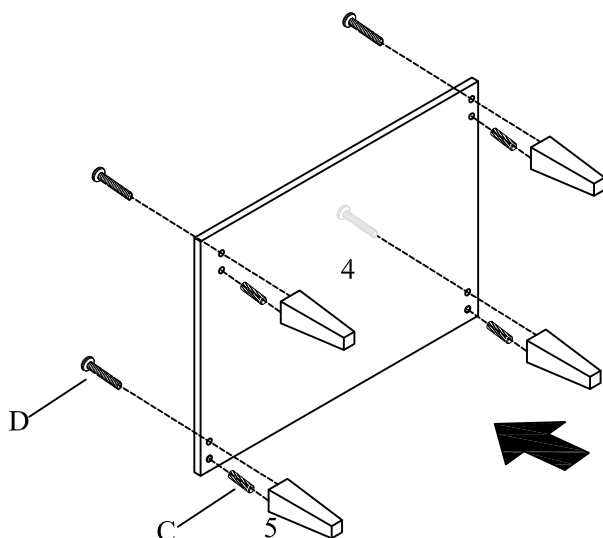
## 2 Assemble left side panel.

- Rotate 3 cam-bolts(A) and 1 dowel(C) into the holes in the left side panel(2).
- Place 3 cam-bolts(A) into the holes in the panel(6/7) and attach using 3 cam-locks(B).



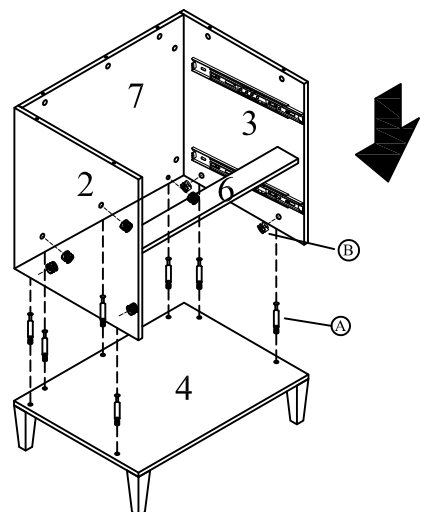
## 3 Assemble foot.

- Rotate 4 dowels(C) into the holes in the bottom panel(4).
- Pass the 4 bolts (D) through the bottom plate and lock.



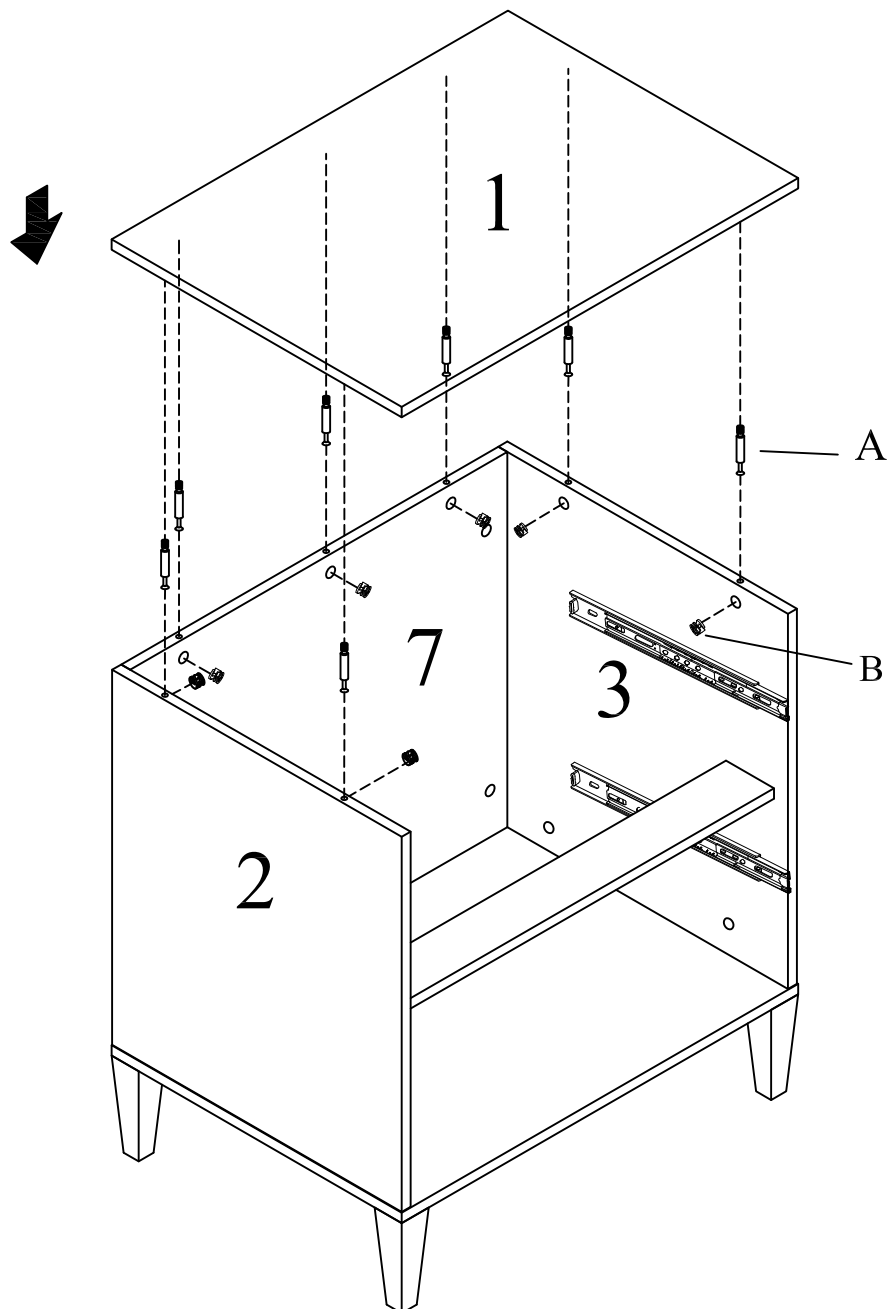
## 4 Assemble bottom panel.

- Rotate 7 cam-bolts(A) into the holes in the bottom panel(4).
- Place 7 cam-bolts(A) into the holes in the panel(2/3/7) and attach using 7 cam-locks(B).



### 5 Assemble top panel.

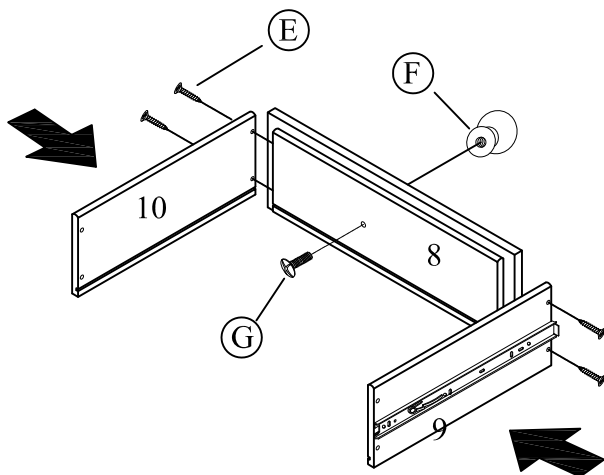
- Rotate 7 cam-bolts(A) into the holes in the top panel(1).
- Place 7 cam-bolts(A) into the holes in the panel(2/3/7) and attach using 7 cam-locks(B).



## Assembly

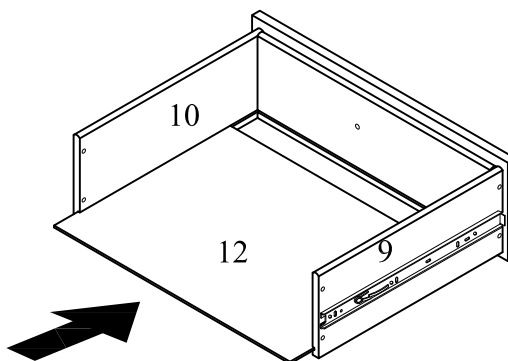
### 6 Assemble drawer front panel.

- Attach the drawer left/right side panel(9/10) to drawer front panel(8) using 4 screws(E).
- Attach 1 knob(F) to drawer front panel(8) using 1 screw(G).



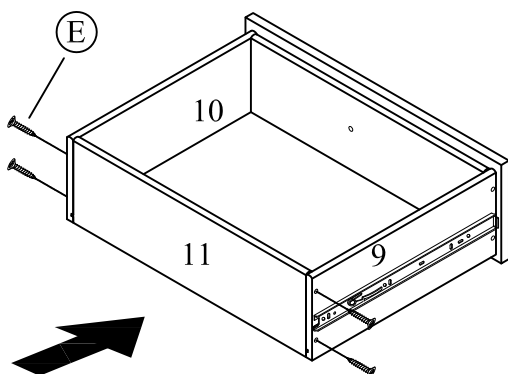
### 7 Assemble drawer bottom panel.

- Insert drawer bottom panel(12) into the slot in the drawer left/right side panel(9/10).



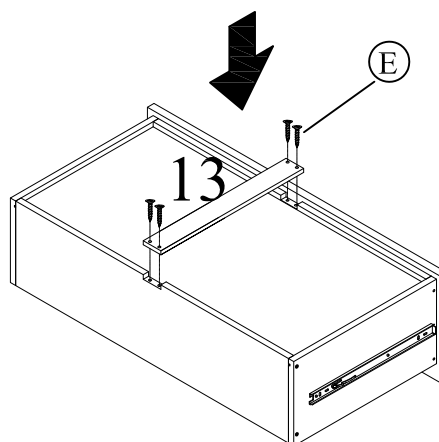
### 8 Assemble drawer back panel.

- Attach the drawer back panel(11) to drawer left /right side panel(9/10) using 4 screws(E).



### 9 Assemble drawer support panel.

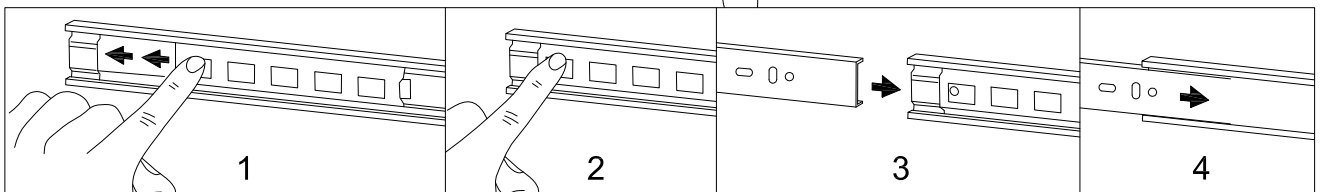
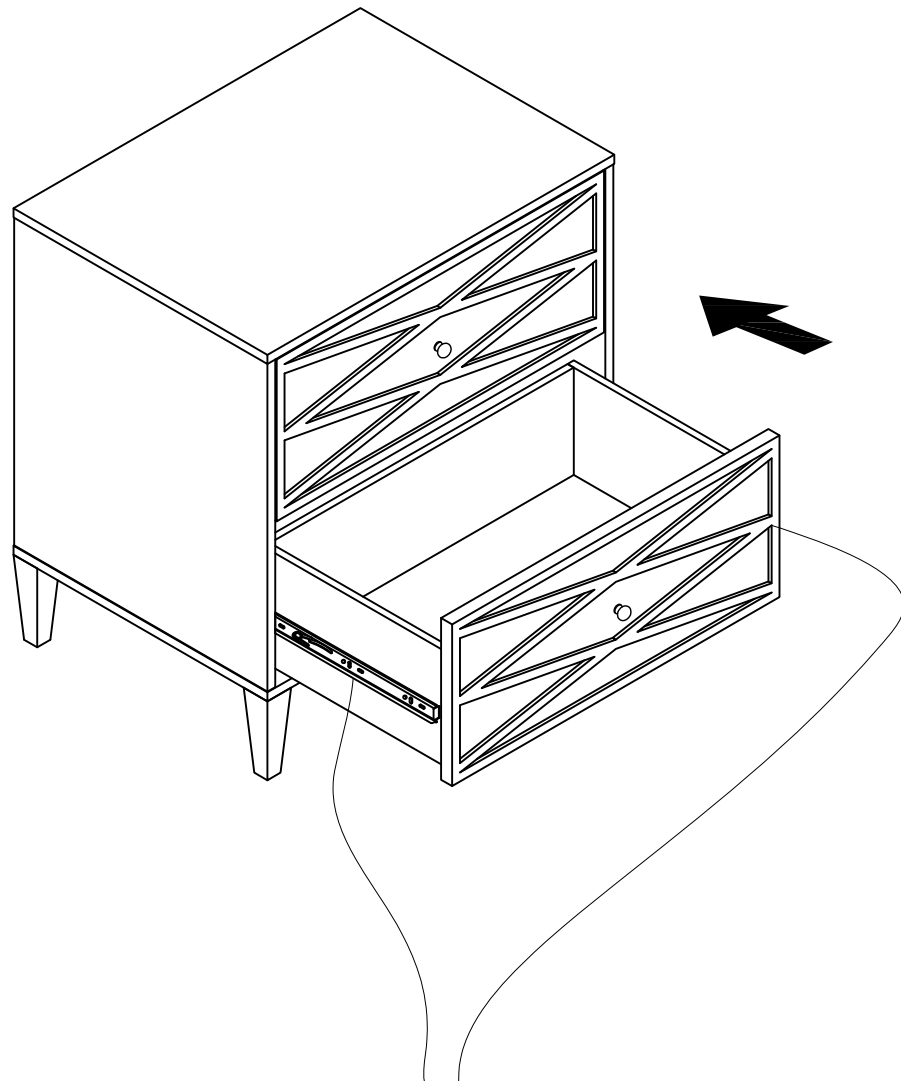
- Attach drawer support panel (13) using 4 screws(E).



## Assembly

# 10 Assemble drawer and plate.

- Insert the drawers and plate as shown.





## Maintenance

---

- If your furniture is stained or otherwise damaged during use, contact a professional for repairs.

## Care and Cleaning

---

- Use a soft, clean cloth that will not scratch the surface when dusting.
- Use of furniture polishes is not necessary. Should you choose to use polishes, test the polish in an inconspicuous area before using over the entire surface of the product.
- Using solvents of any kind on your furniture may damage the finish.
- Never use water to clean your furniture as it may cause damage to the finish.
- Always use coasters under beverage glasses and flowerpots.
- Liquid spills should be removed immediately. Using a soft, clean cloth, blot the spill gently. Avoid rubbing.
- Always use protective pads under hot dishes and plates. Heat can cause chemical changes that may create spotting within the furniture finish.
- Use care as stains or marks from crayons or ink markers will be difficult to remove.
- Be sure to immediately clean red wine or soda stains within 30 minutes or the surface will stain.

# HOME DECORATORS COLLECTION

**Questions, problems, missing part? Before returning to the store,  
call Home Decorators Collection Customer Service  
8 a.m. - 7 p.m., EST, Monday - Friday, 9 a.m. - 6 p.m., EST, Saturday**

**1-800-998-7021**

**[HOMEDEPOT.COM/HOMEDECORATORS](http://HOMEDEPOT.COM/HOMEDECORATORS)**

**Retain this manual for future reference**