

Parts drawing for DXCMV5048055.1

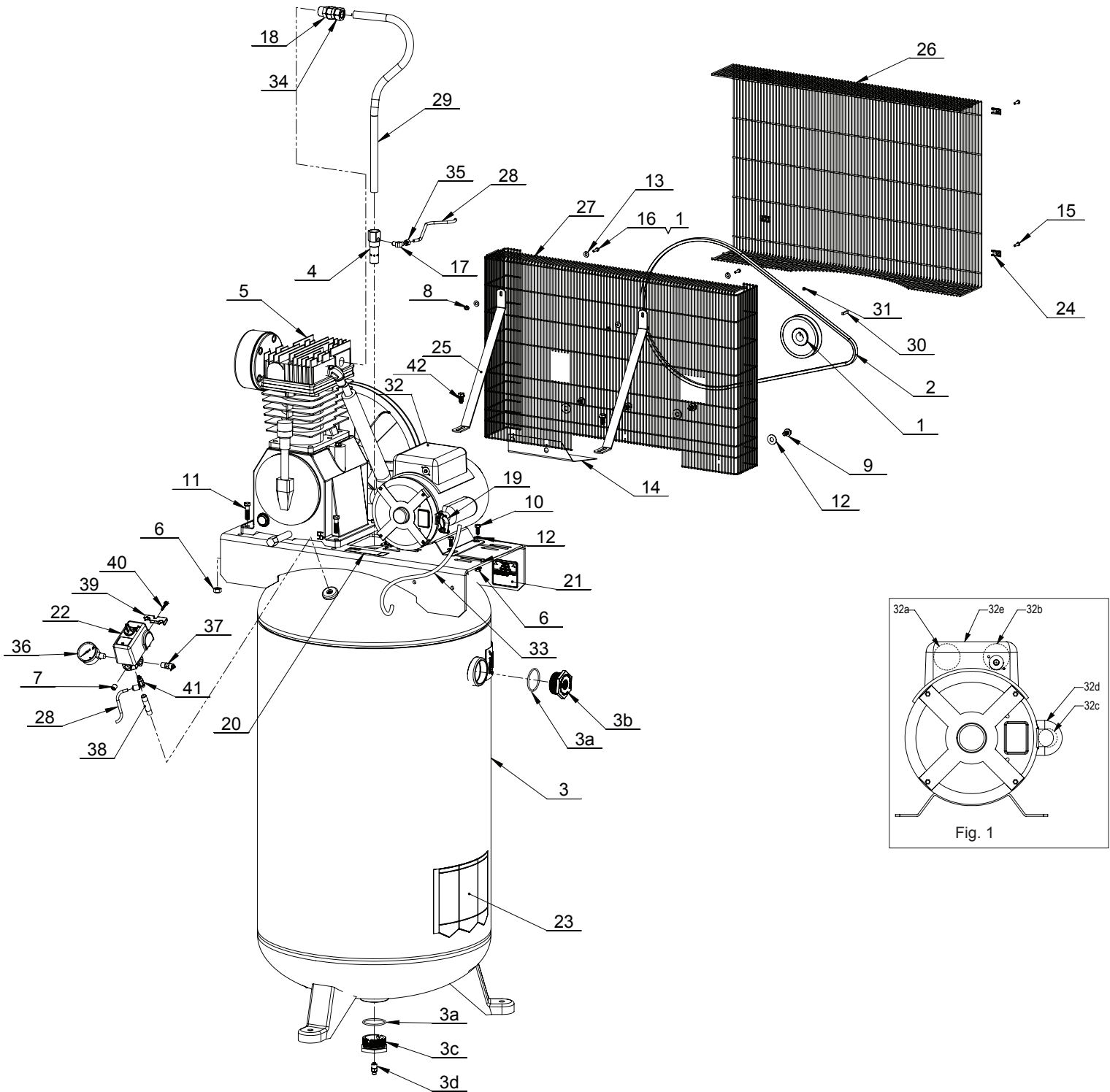



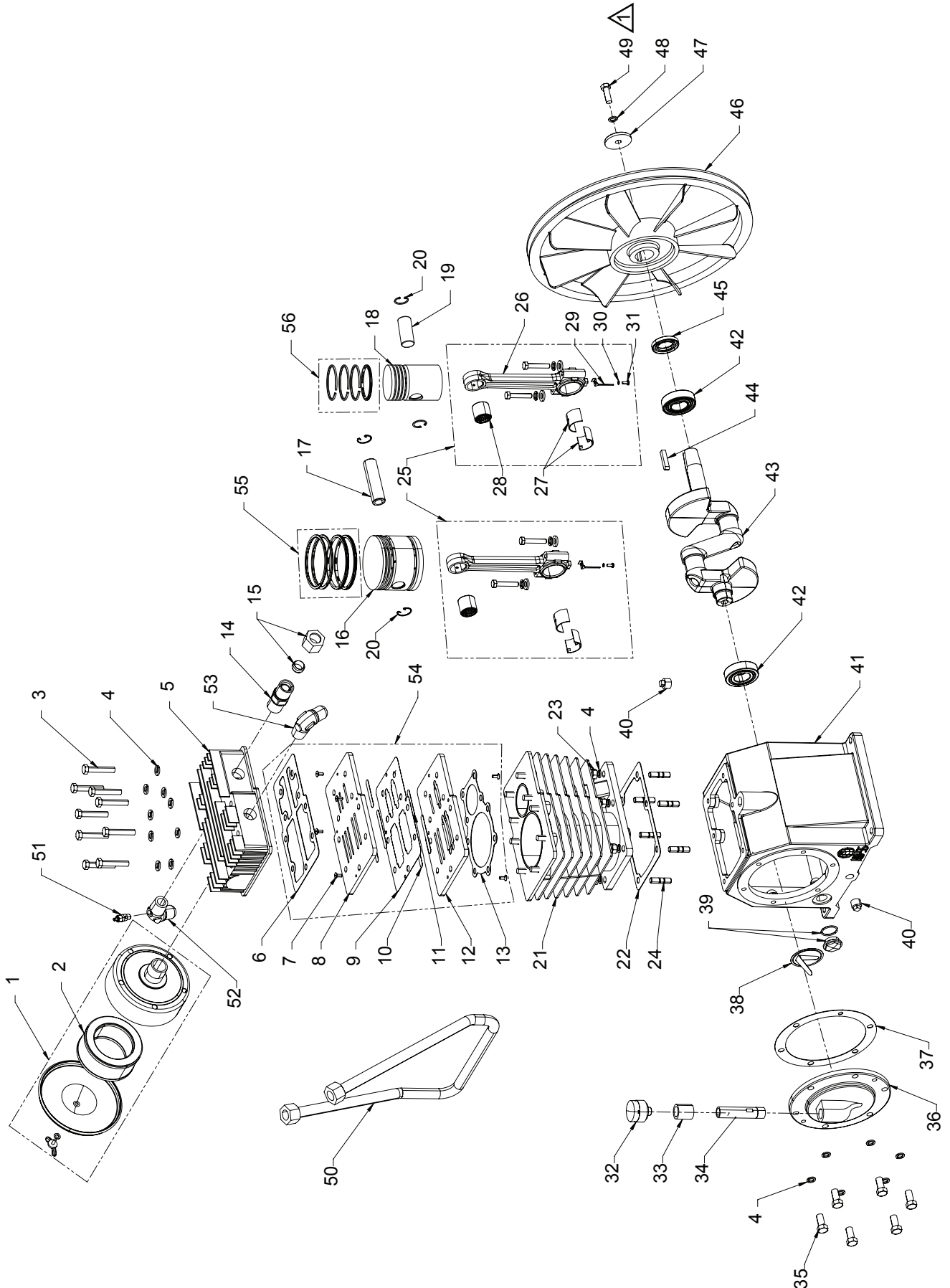
Fig. 1

Parts list for DXCMV5048055.1

Item Number	Part No.	Description	Qty. Required
1	006-0165	Pulley	1
2	008-0040	V-belt, B64	1
3	021-0307	Tank assy	1
3a	513-0001	2" O-ring	2
3b	512-0043	Bushing, 2" NPSM x 3/4" NPT	1
3c	512-0041	Bushing, 2" NPSM x 1/4" NPT	1
3d	072-0006	Petcock, 1/4" NPT	1
4	031-0104	Check valve	1
5	See pages 4-6	Pump assy	1
6	058-0009	Nut, 3/8"-16	8
7	062-0035	Plug, 1/4"	1
8	058-0158	Lock nut, 10-32	2
9	059-0164	Screw, 3/8"-16 x 3/4" lg	4
10	059-1007	Screw, 3/8" x 1" lg	4
11	059-0380	Screw, 3/8"-16 x 1.5" lg	4
12	060-0023	Washer, 3/8"	12
13	060-0146	Washer, #10	4
14	125-0224	Shield	1
15	061-0255	Screw, M5 x 20mm	5
16	061-0212	Screw, #10 x 3/4" lg	2
17	064-0003	Elbow, 90°	1
18	068-0003	Connector, 3/4" NPT x 3/4 tube	1
19	071-0002	Strain relief, 3/8"	1
20	098-2856	Warning label	1
21	098-3031	Warning label	1
22	034-0199	Switch, pressure (includes items 39-41)	1
23	098-3870	Warning label	1
24	103-0205	U-nut, spring	5
25	114-0349	Bracket, belt guard	2
26	125-0204	Beltguard (outer)	1
27	125-0219	Beltguard (inner)	1
28	145-0495	Tube, bleeder	1
29	145-0667	Tube, transfer, 3/4"	1
30	146-0016	Key, 1/4" square x 1 1/4" lg	1
31	061-0238	Setscrew	2
32	160-0338	Motor, 6 rhp, 24 amp	1
32a	166-0191	Start capacitor (fig. 1)	1
32b	166-0178	Run capacitor (fig. 1)	1
32c	166-0137	Run capacitor (fig. 1)	1
32d	166-0194	Run capacitor cover (fig. 1)	1
32e	166-0205	Capacitor cover (fig. 1)	1
33	026-0299	Cord, interconnect	1
34	058-0012	Compression nut & sleeve	1
35	058-0017	Compression nut & sleeve	1
36	032-0025	Gauge, 300# 1/4" bottom connect	1
37	136-0007	Valve, ASME	1
38	065-0005	Nipple 1/4" X 2 1/2"	1
39	071-0033	Strain relief	1
40	061-0216	Screw	1
41	136-0090	Valve, bleeder	1
42	059-0389	Screw, 5/16"-18	2

Parts drawing for pump 040-0460 (HB55)

 Torque to 26-33 lb-ft.



Parts list for pump 040-0460 (HB55)

Item Number	Part No.	Description	Qty. Required
1	019-0294	Filter, cannister assy <i>(includes item 2)</i>	1
2	019-0295	Element, filter replacement	1
3	059-0405	Bolt, head, M10 x 90 mm lg	9
4	060-0209	Washer, lock M10	22
5	042-0135	Head, cylinder	1
6	046-0336	Gasket, cylinder head	1
7	N/A <i>(Order item #54)</i>	Bolt, M5 x 12 mm lg	4
8	N/A <i>(Order item #54)</i>	Seat, valve (upper)	1
9	046-0337	Gasket, valve plate	1
10	N/A <i>(Order item #54)</i>	Reed valve, LP	4
11	N/A <i>(Order item #54)</i>	Reed valve, HP	2
12	N/A <i>(Order item #54)</i>	Seat, valve (lower)	1
13	046-0338	Gasket, valve cylinder	1
14	068-0003	Connector	1
15	058-0012	Compression nut	1
16	048-0135	Piston, low pressure	1
17	052-0042	Pin, wrist, low pressure	1
18	048-0136	Piston, high pressure	1
19	052-0043	Pin, wrist, high pressure	1
20	054-0268	Retaining ring	4
21	050-0072	Cylinder	1
22	046-0339	Gasket, cylinder/crankcase	1
23	058-0185	Nut, M10	6
24	059-0406	Bolt, M10 x 30 mm lg	6
25	047-0101	Rod, connecting assy	2
26	N/A <i>(Order item #25)</i>	Connecting rod	2
27	051-0111	Insert, bearing	2 pair
28	051-0112	Needle bearing	2
29	N/A <i>(Order item #25)</i>	Oil dipper	2
30	N/A <i>(Order item #25)</i>	Washer, spring	2
31	N/A <i>(Order item #25)</i>	Bolt, M5 x 10 mm lg	2
32	059-0097	Breather cap	1
33	068-0104	Connector	1
34	065-0111	Breather tube	1
35	059-0407	Bolt, M10 x 30 mm lg	6
36	045-0056	Bearing carrier, rear	1
37	046-0340	Gasket, bearing carrier	1
38	019-0296	Filter, oil screen	1
39	032-0126	Oil level sight glass	1
40	062-0073	Plug	2
41	049-0056	Crankcase	1
42	051-0110	Bearing	2
43	053-0116	Crankshaft	1
44 **	146-0033	Key, flywheel	1
45	046-0342	Oil seal	1
46 **	044-0076	Flywheel, 16.54" O.D.	1
47 **	060-0210	Washer, flywheel	1
48 **	060-0211	Washer, lock #10	1
49 **	059-0408	Bolt, M10 x 30 mm lg	1

50	145-0663	Tube, outlet	1
51	136-0105	Valve, pressure relief	1
52	064-0122	Elbow	1
53	064-0121	Elbow	1
54	043-0228	Valve plate assembly (includes items 6-13)	1
55	054-0266	Ring set, LP	1
56	054-0267	Ring set, HP	1
57	046-0341	Gaskets, complete set (includes items 6, 9, 13, 22, 37 & 45)	1
58	165-0304	Overhaul kit (includes items 2, 27, 45, & 54-57)	1
59	S040-0444	Pump assy (includes items 1-43, 45, & 50-53)	1

** Must be purchased separately

** Doit être acheté séparément

** Se debe comprar por separado

N/A Items are not available as replacement parts.

N/A Les éléments ne sont pas disponibles comme pièces de rechange.

N/A Los items no están disponibles como piezas de recambio.

