
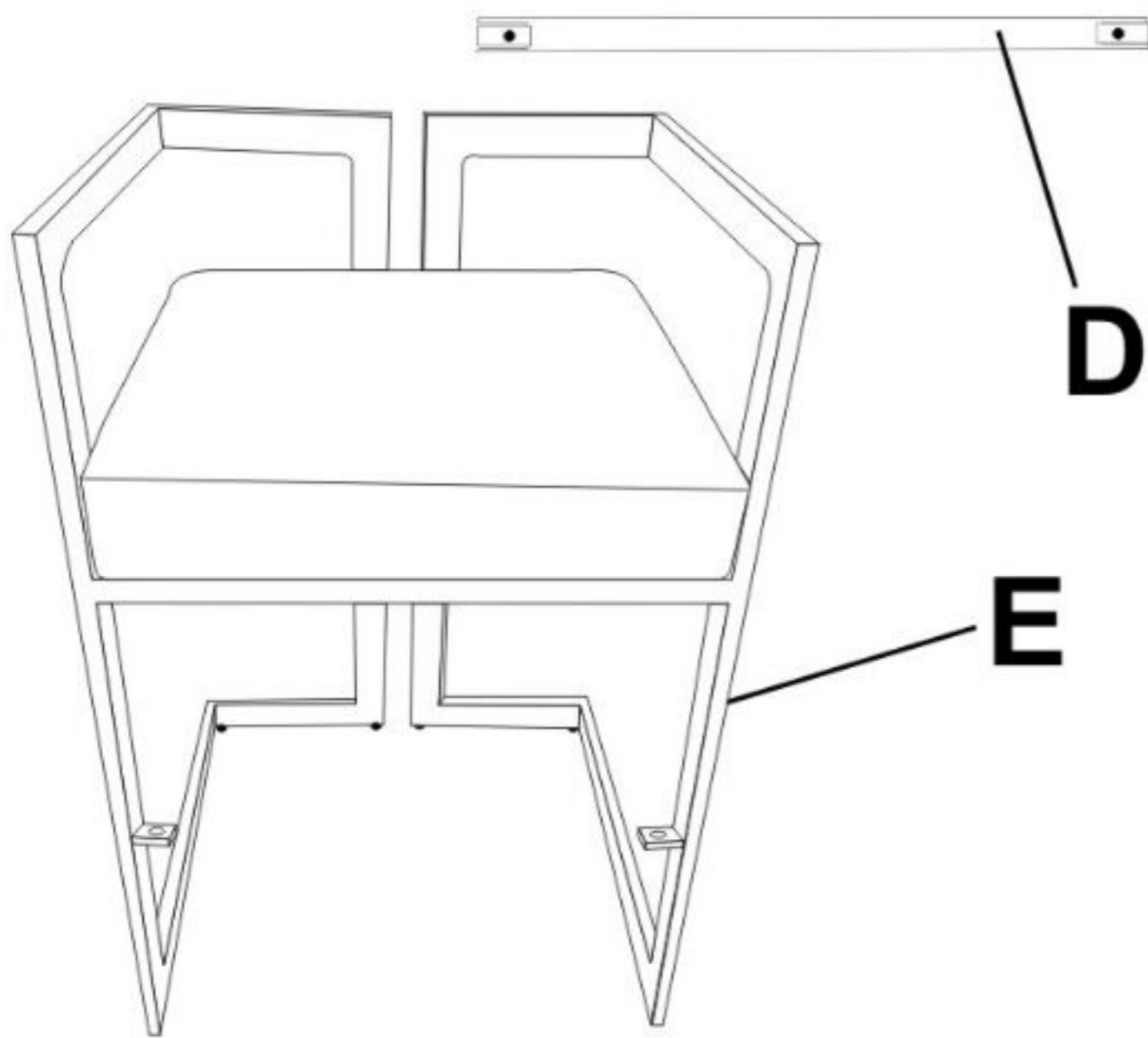


ASSEMBLY INSTRUCTION

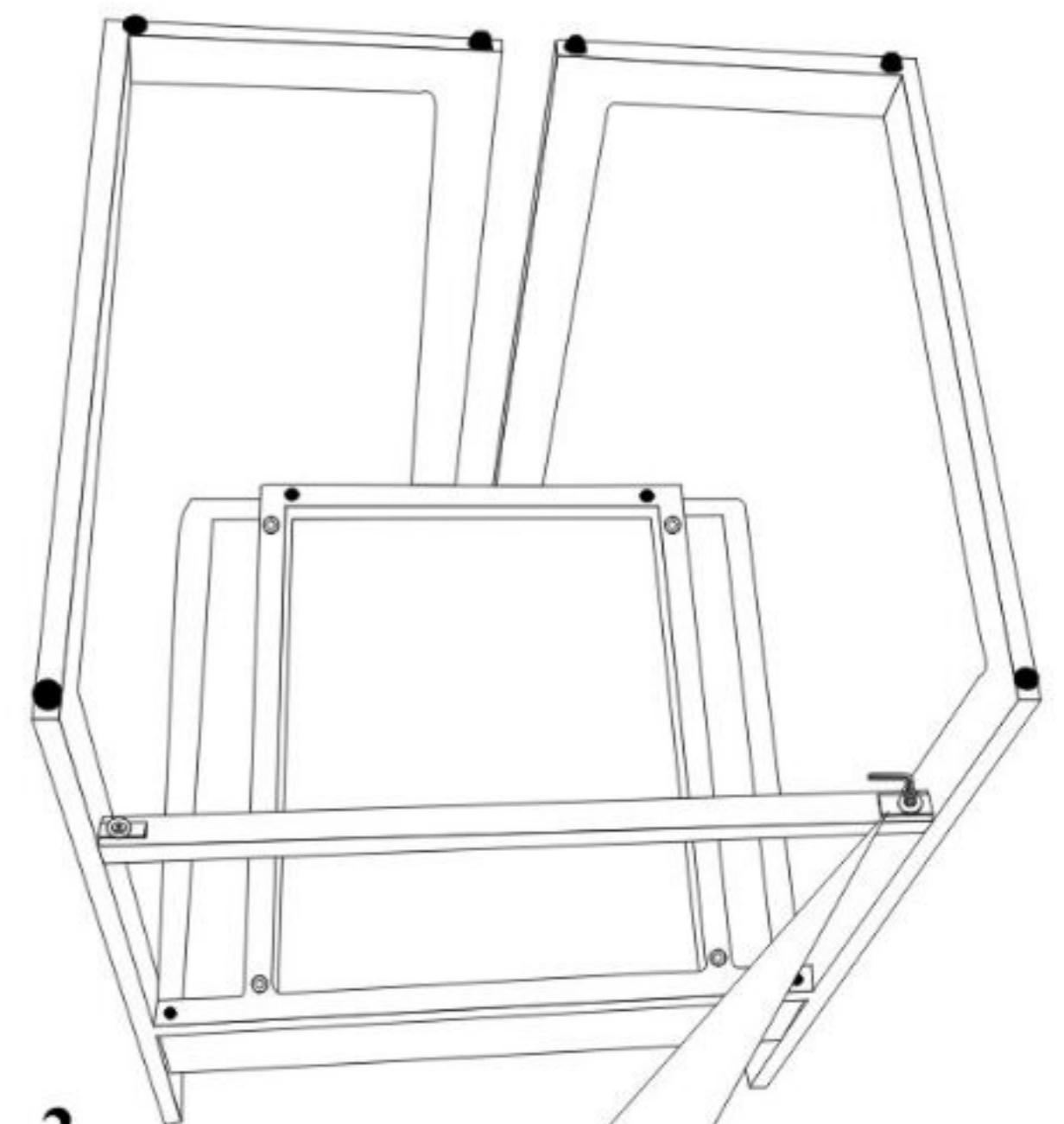
ITEM NO.: CH230-240

HARDWARE LIST			
Item	Description	Drawing	Pcs
A	Bolt M6*15		2
B	Washer Ø16		2
C	Allen Wrench 4mm		1
D	Foot Rest		1

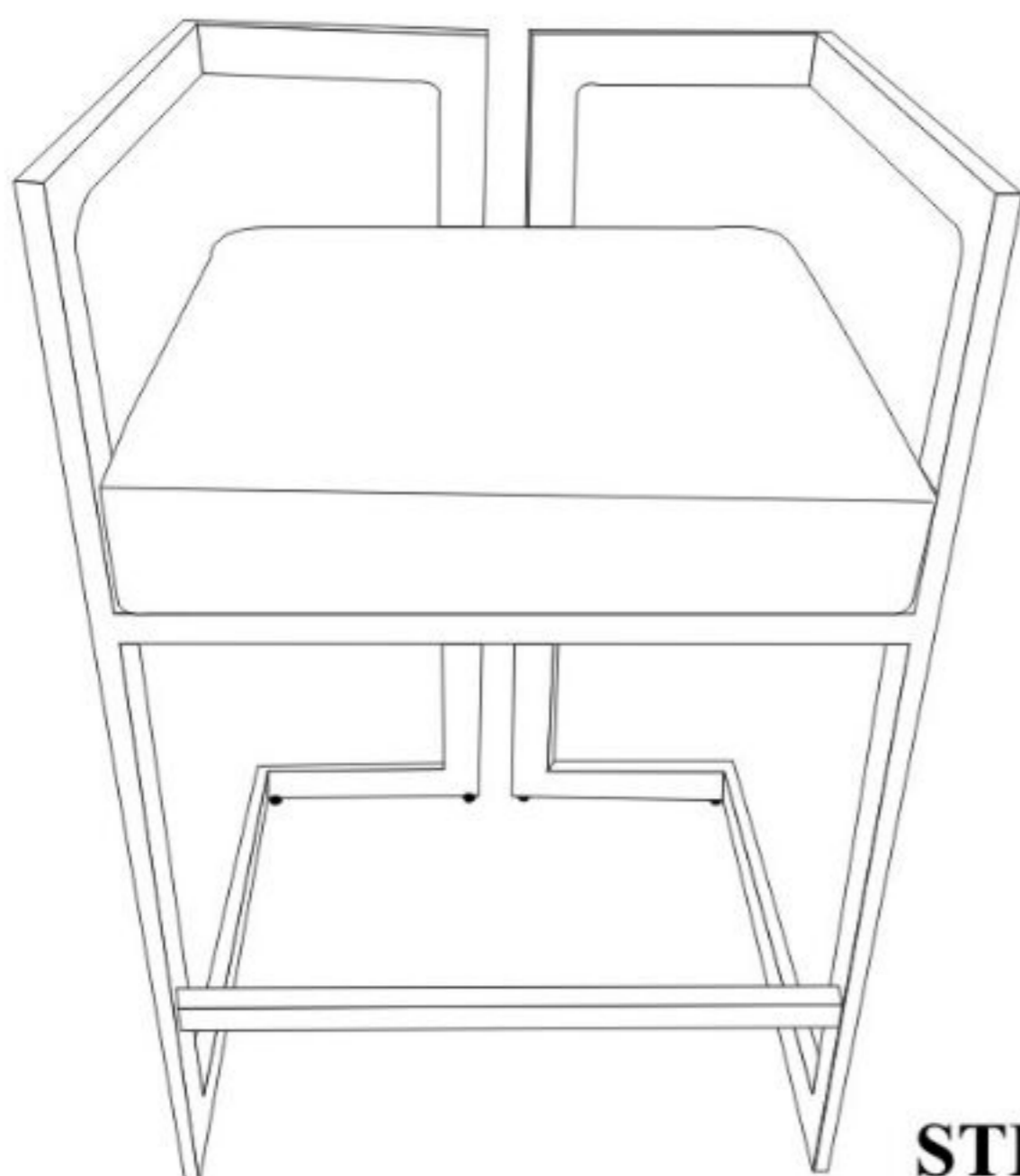
PARTS LIST			
Item	Description	Drawing	Pcs
E	Chair		1



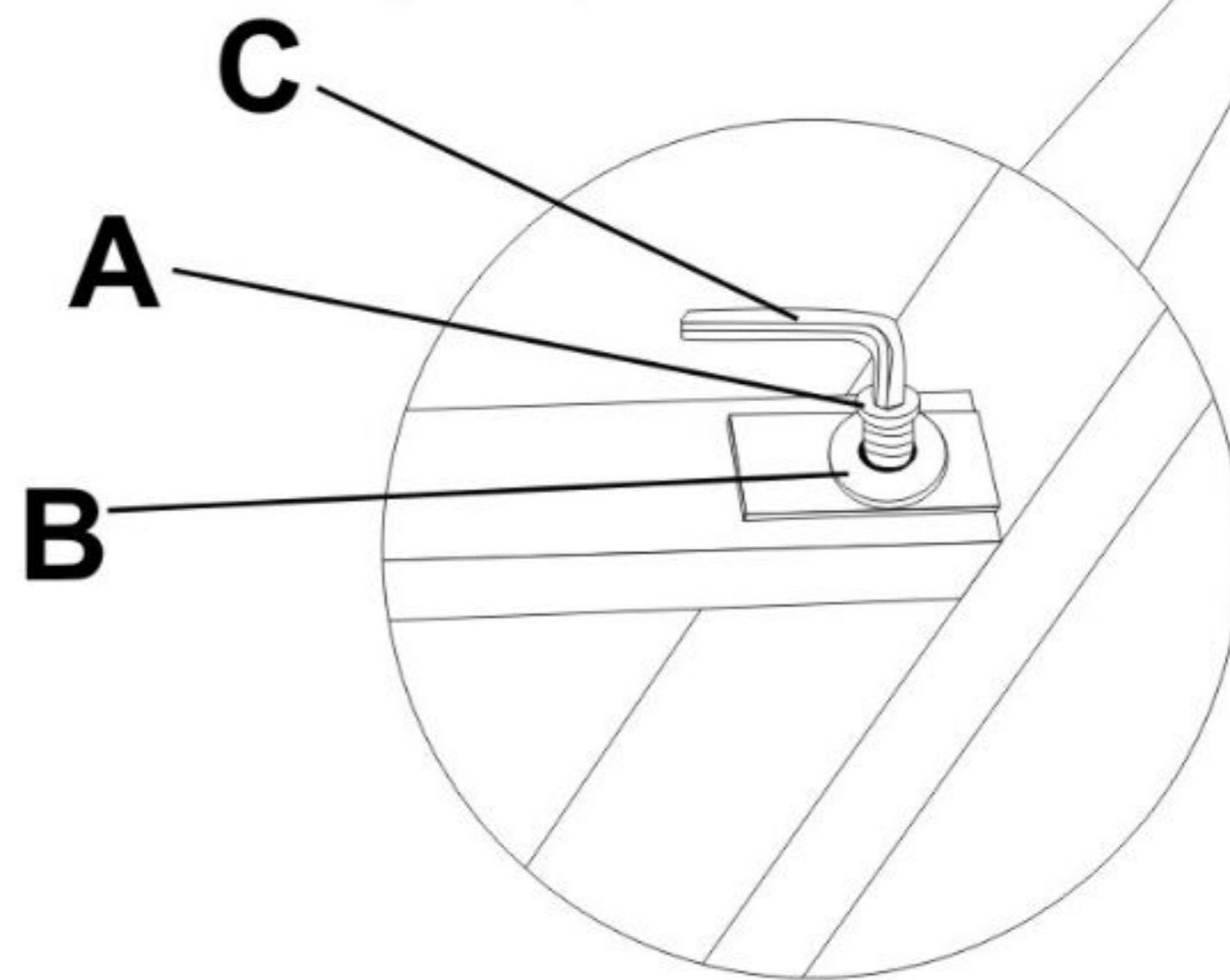
STEP: 1



STEP: 2



STEP: 3



Do not tighten screws until completely assembled