

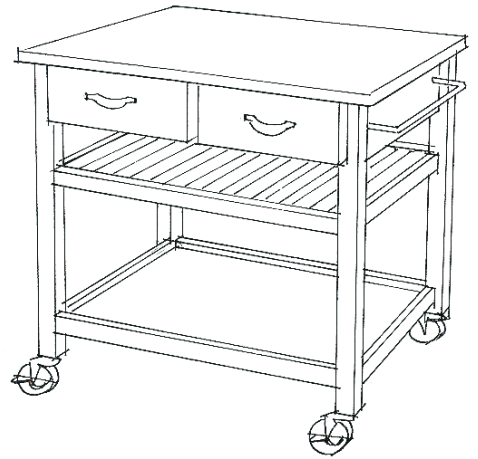
88 5216 95C Solid Wood Top Kitchen Island

IMPORTANT NOTE

Carefully remove all the parts from the carton and put them individually on a soft cloth to prevent scratches or other damages occurring to the parts.

We have taken great care in the design of this product and request that you carefully and strictly follow our assembly instructions to ensure a completed product as it was designed.

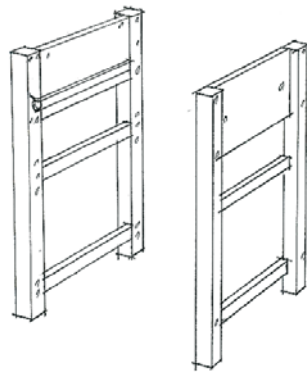
Home Styles



Part List

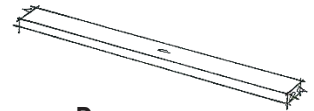


A.
Top
1 pc.



B.
Side Frame
1 pc.

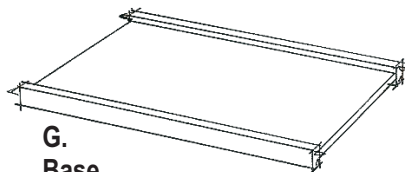
C.
Side Frame
1 pc.



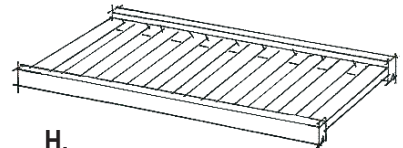
D.
Front Rail
2 pcs.



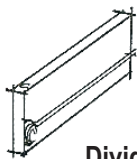
E.
Back Rail
1 pc.



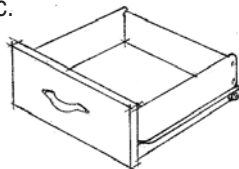
G.
Base
1 pc.



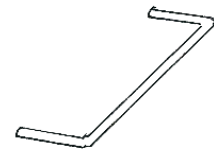
H.
Shelf
1 pc.



F.
Divider
1 pc.



I.
Drawer
(Knock-Down Construction, please refer to the page (4/4) of these instructions for steps to complete assembling drawers)
2 drawers



J.
Side Bar
1 pc.

Hardware List



Caster
Two casters with lock
Two casters without lock.
4 pcs.



Head Cap Bolt (short)
(for Side Bar)
2 pcs. (+1 extra)



Wood Plug
13 pcs.
(+1 extra)



Supporting Pin
4 pcs. (+1 extra)



Wood Screw Short
(for Drawer Bottom Part)
12 pcs. (+1 extra)



Machine Screw for Pull Handle
4 pcs.



Small Hex Wrench
1 pc.



Hex Wrench
1 pc.



Head Cap Bolt Long
19 pcs. (+1 extra)



Wood Screw Long
(for Drawer Side Part)
16 pcs. (+1 extra)



Pull Handle
2 pc.

Tools Required For Assembly : Phillips screwdriver

Home Styles Consumer Assistance Line 888-680-7460 and 877-831-0319

servicedesk@homestyles-furniture.com

Revised date : 24Mar2011

Assembly Instructions 2/4

IMPORTANT

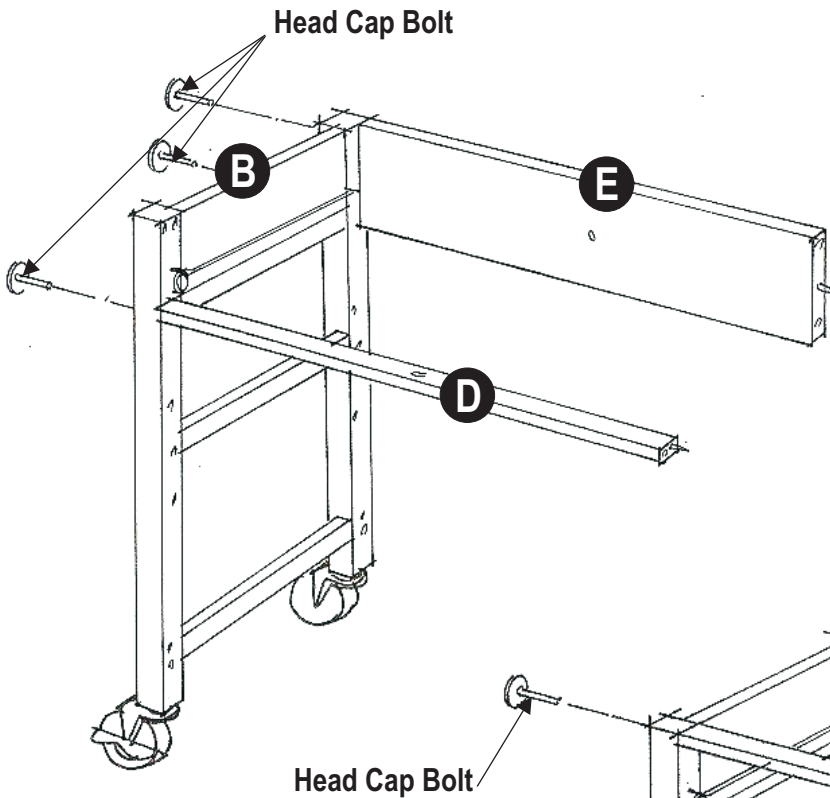
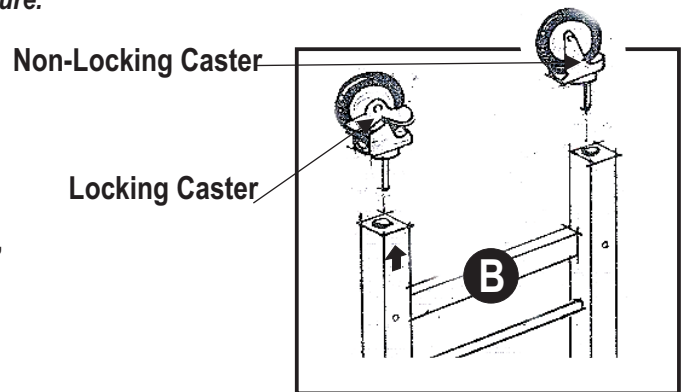
Do not tighten up all the screws until each part is properly assembled. You should keep Hex Wrench in the safe place as you may need to tighten up the Head Cap Bolts in the future.

STEP 1

Turn the Side Frame (B) upside down on the soft material.

Attach the locking caster to the leg with ↑ sign, and the non-locking caster to the other leg.

Do the same for the Side Frame (C).

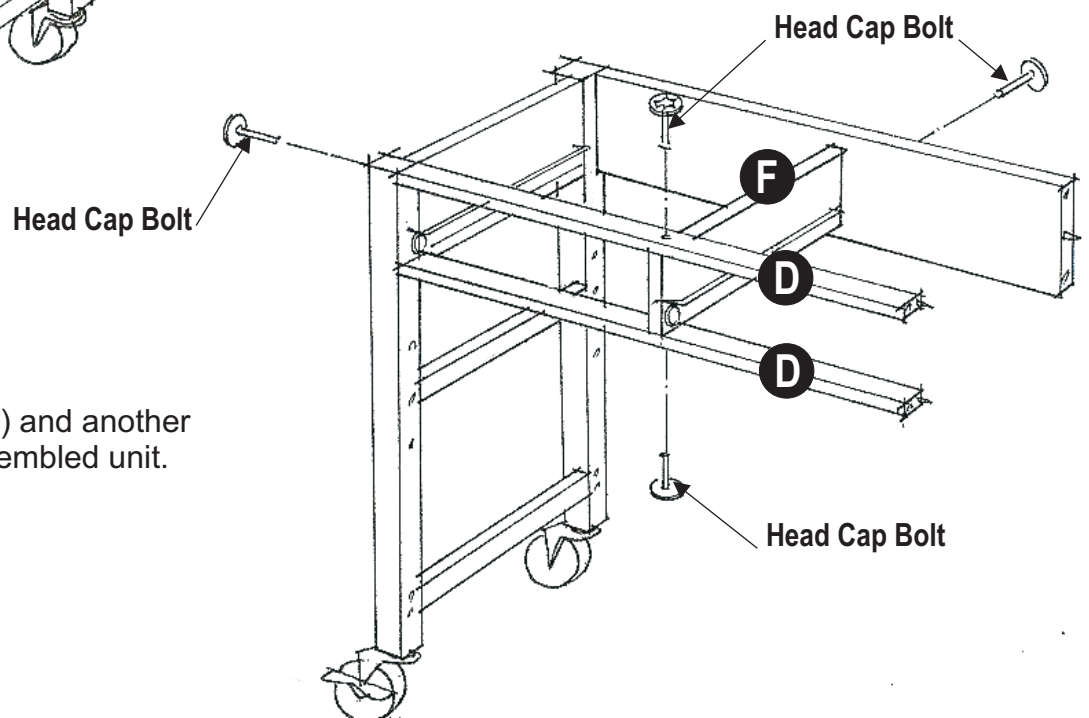


STEP 2

Attach the Front Rail (D) and Back Rail (E) to the Side Frame (B).

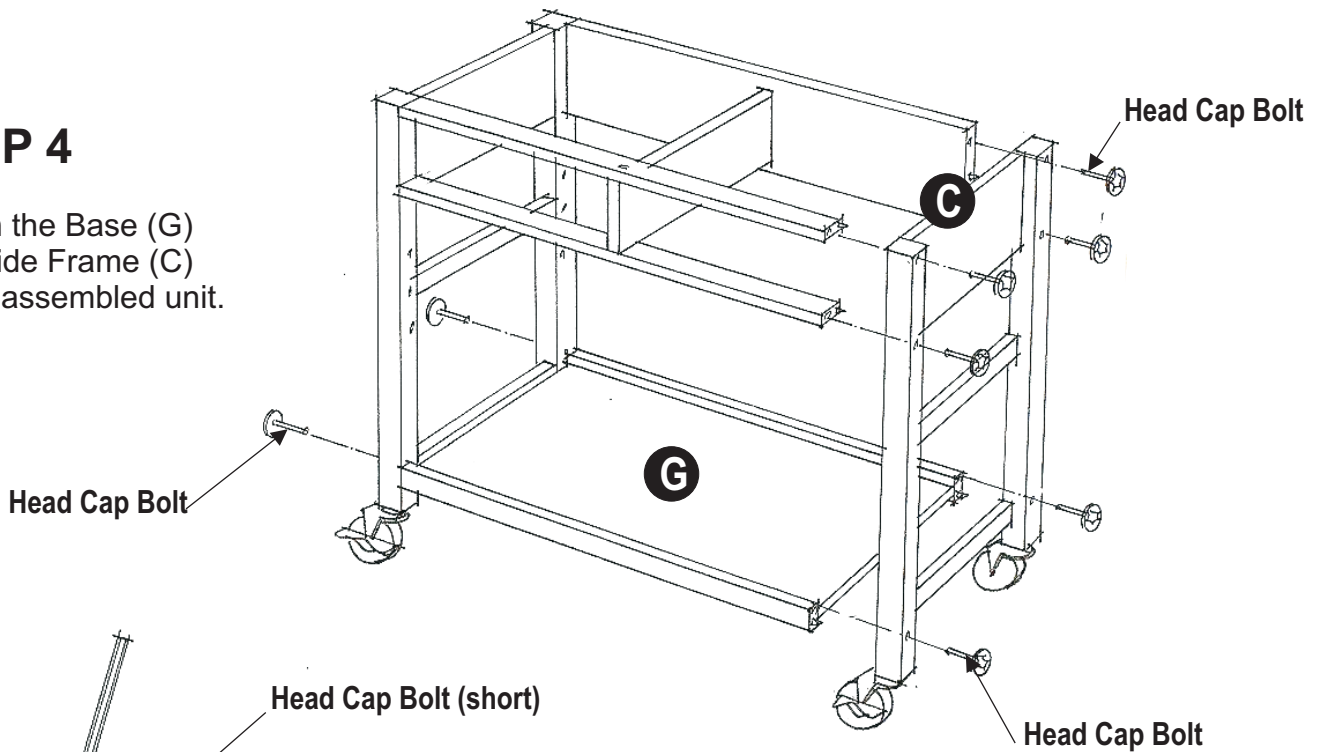
STEP 3

Attach the Divider (F) and another Front Rail to the assembled unit.



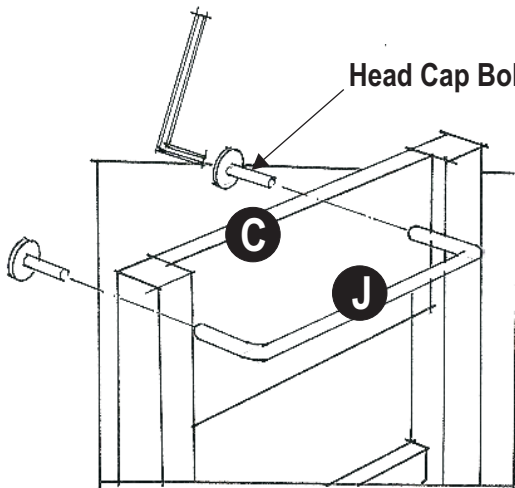
STEP 4

Attach the Base (G) and Side Frame (C) to the assembled unit.

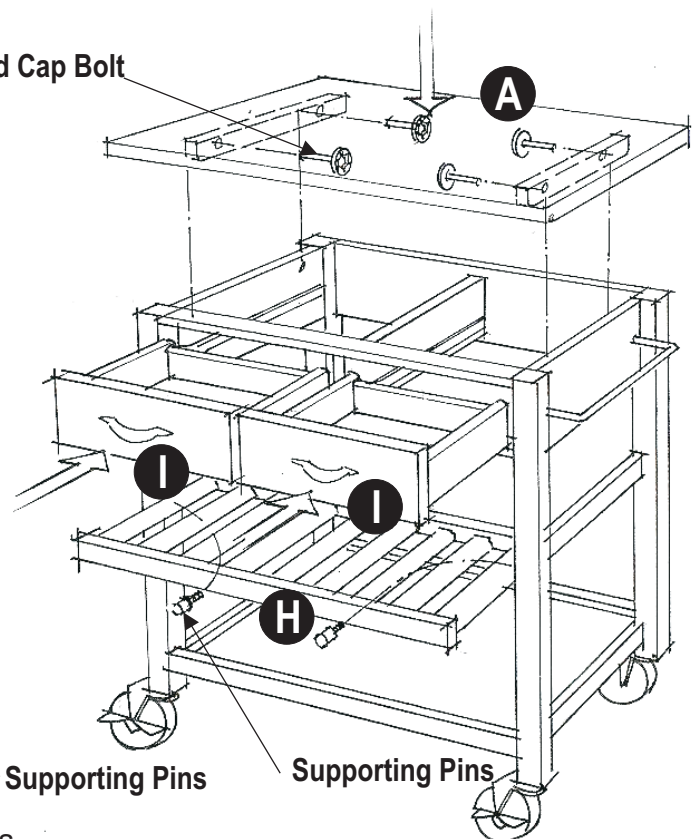


STEP 5

Attach the Side Bar (J) to the Side Frame (C).



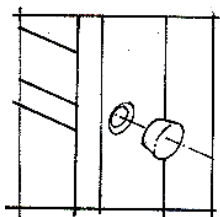
Head Cap Bolt



STEP 6

Place the Top (A) on the assembled unit.

Insert the Supporting Pins into both side frames at the desired level. Place Shelf (H) and slide the Drawers (I) into place.



STEP 7

Cover all holes with Wood Plugs

Drawer

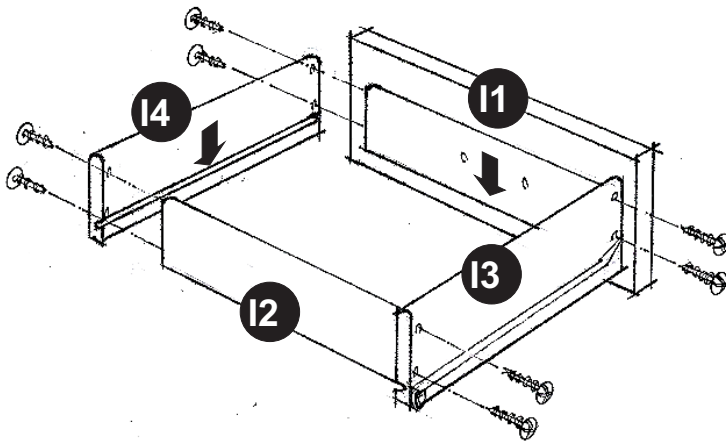


Figure 2

Turn the assembled drawer over and slide the Plywood Bottom Part (15) into the grooves of Side Parts (13) and (14). Be sure to push the plywood bottom part all the way forward, so it meets the Front Part (11).

Insert the remaining 1/2" screws (6 pcs.) into the pre-drilled holes at the Bottom Part (15), then tighten up all screws

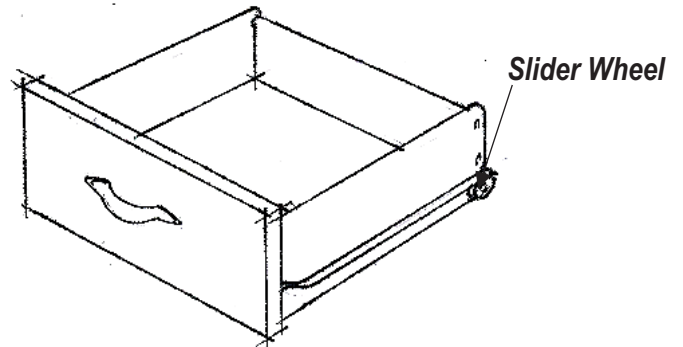


Figure 1

Line up Side Parts (13) and (14) to the Front Part (11) and Back Part (12). Make sure the ↓ sign on each part is going down. Using a **Philips** screwdriver, insert 1" screws into each of the 4 pre-drilled holes on the sides (13) and (14), then tighten half way.

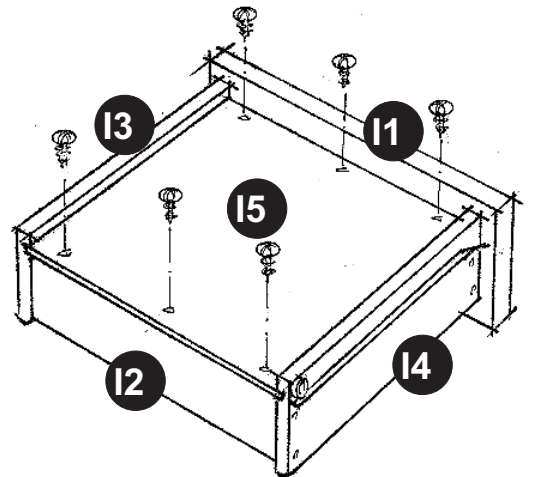
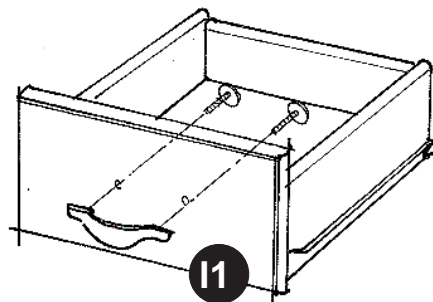


Figure 3

Assemble the Pull Handle to the Front Part (11) with Machine Screw.



* If you are missing any of these parts, please contact our DMI Customer Service Department at 1-877-831-0319 or fax us at 1-800-755-2878.

Part List

