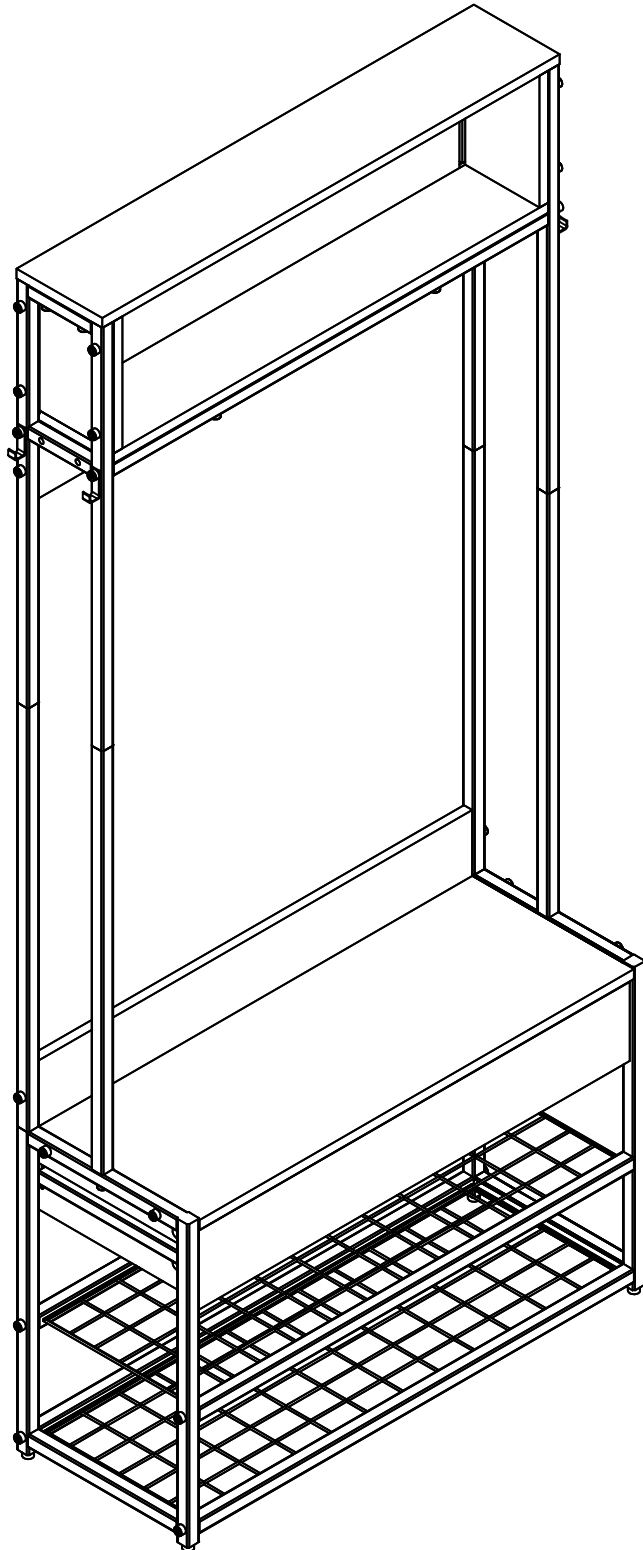
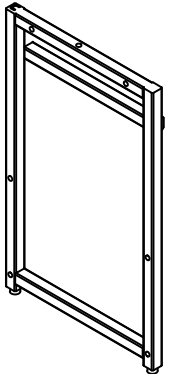
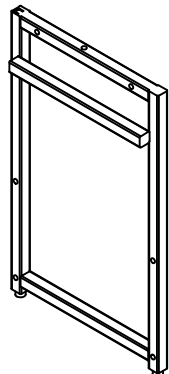
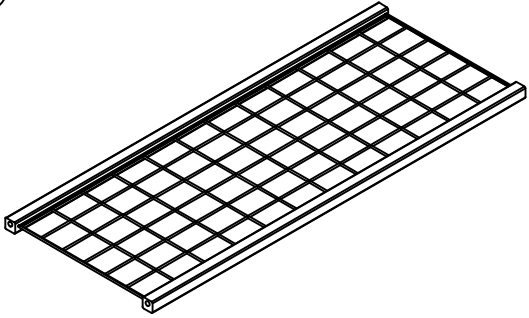
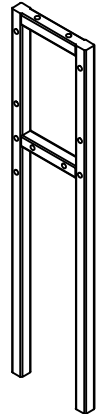
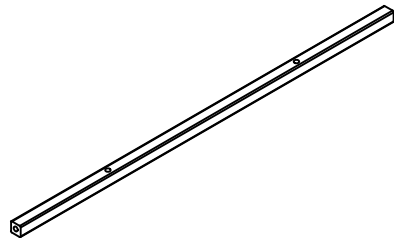
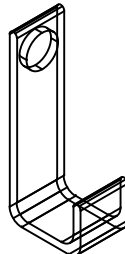
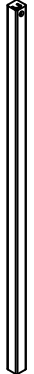

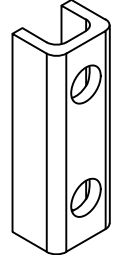


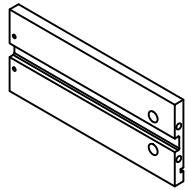
# Installation Instructions

Notes: Don't tighten screws completely at first, just in case parts were assembled wrong and need disassemble. Tighten screws at last when all parts are put together.



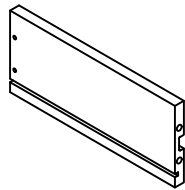
<p>①</p>  <p>× 1</p>	<p>②</p>  <p>× 1</p>	<p>③</p>  <p>× 2</p>
<p>④</p>  <p>× 2</p>	<p>⑤</p>  <p>× 2</p>	<p>⑥</p>  <p>× 9</p>
<p>⑦</p>  <p>× 2</p>	<p>⑧</p>  <p>× 2</p>	<p>⑨</p>  <p>× 6</p>

⑩



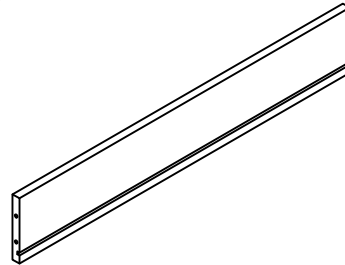
×1

⑪



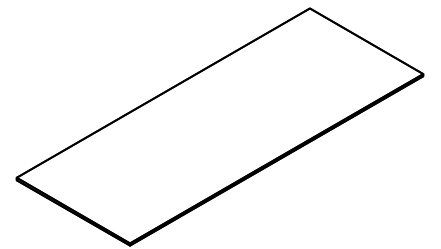
×1

⑫



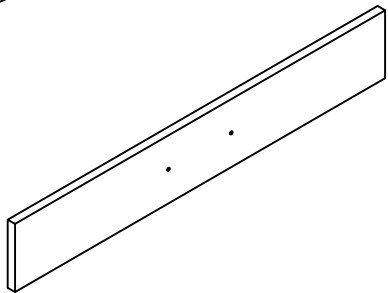
×1

⑬



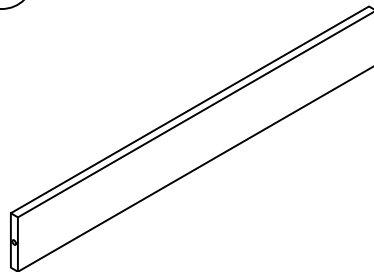
×1

⑭



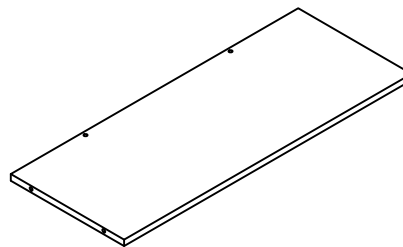
×1

⑮



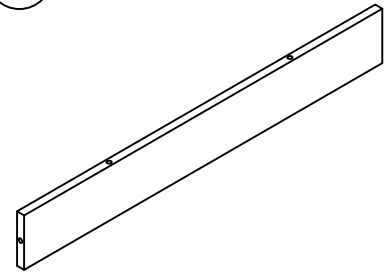
×1

⑯



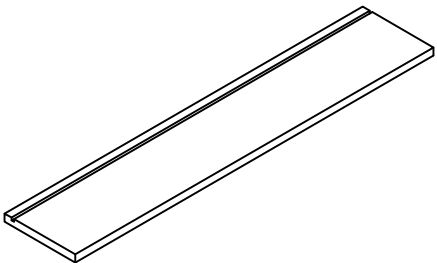
×1

⑰



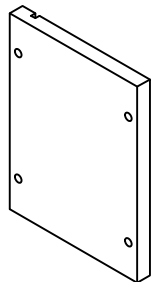
×1

⑱



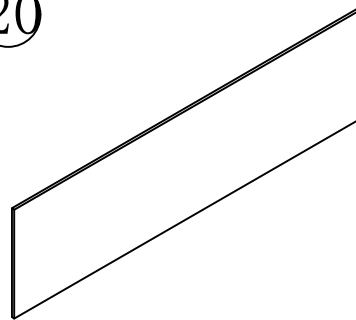
×1

⑲



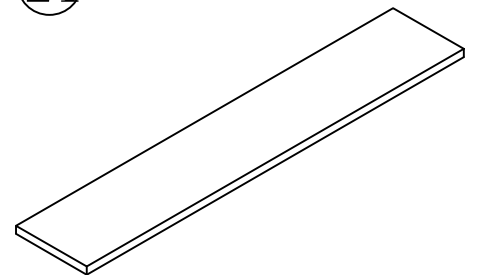
×2

⑳

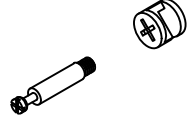

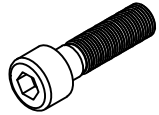
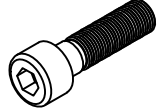




×1

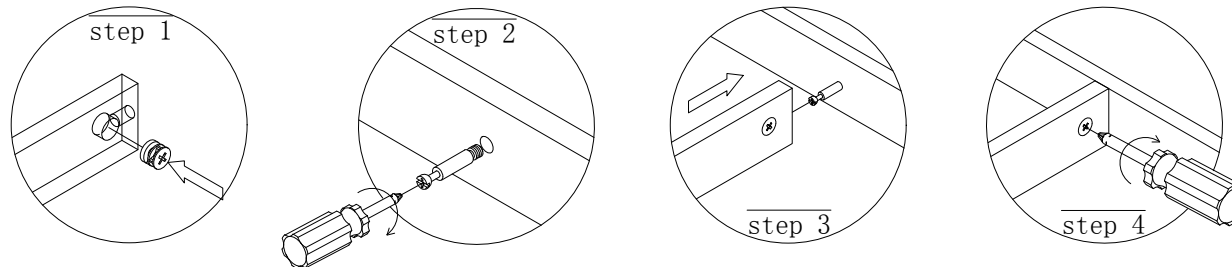
㉑



×1

PART NO.	QTY.	PARTS	
A	4	M6×28mm	
B	4	φ3.5×35mm	
C	21	φ6×12mm	
D	24	φ6×30mm	

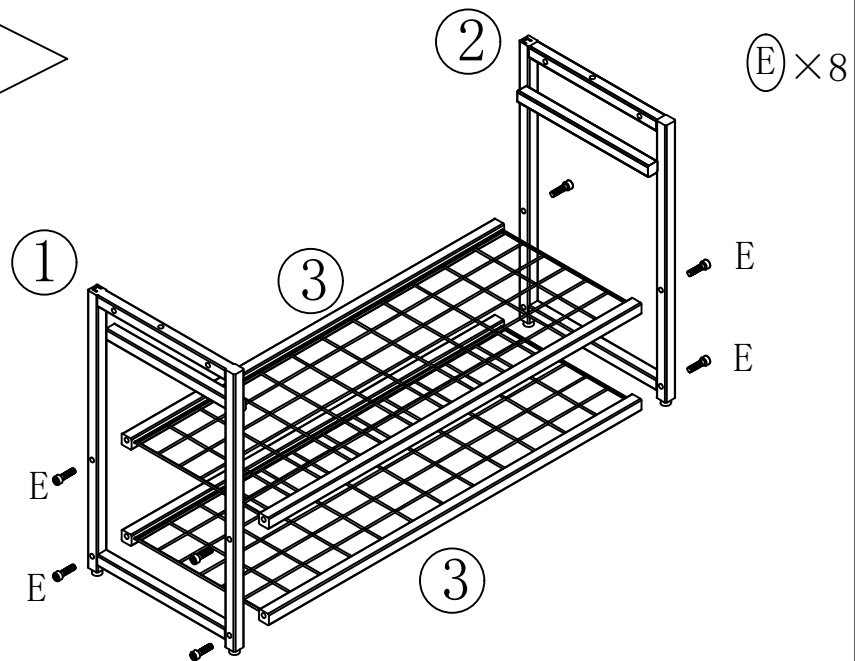
PART NO.	QTY.	PARTS	
E	14	φ6×35mm	
F	2	φ7×38mm	
G	1	M6	
H	2	M4*20mm	



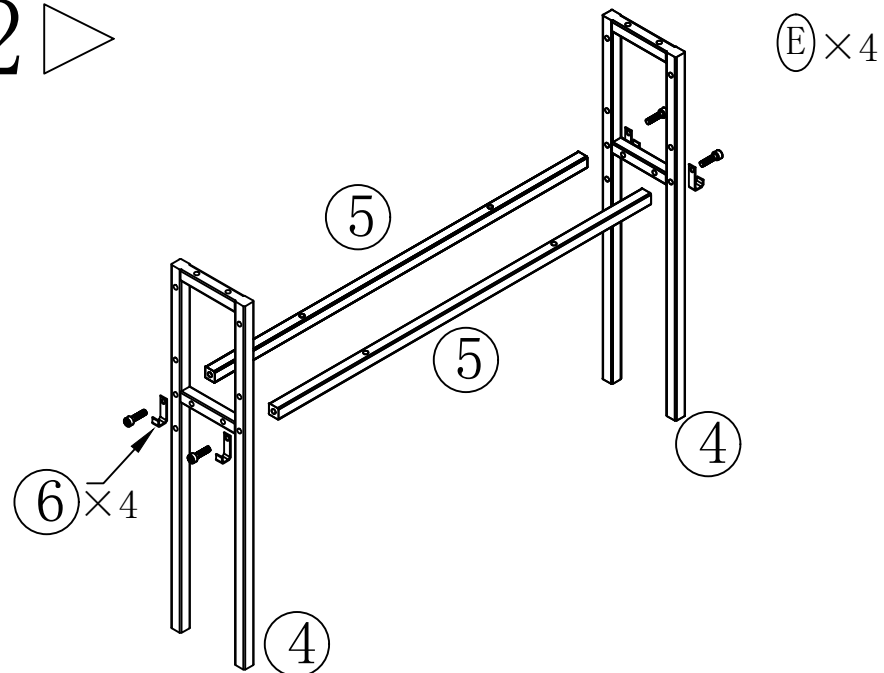
### Installation of Cams and Pins:

Screw the Pin into hole. To set Cams correctly, ensure the arrow on the Cam opening to the holes of the pin it is locking. Lock Cam by turning Cam head with screwdriver to be tighten. Please don't use an electric screwdriver to assemble the unit.

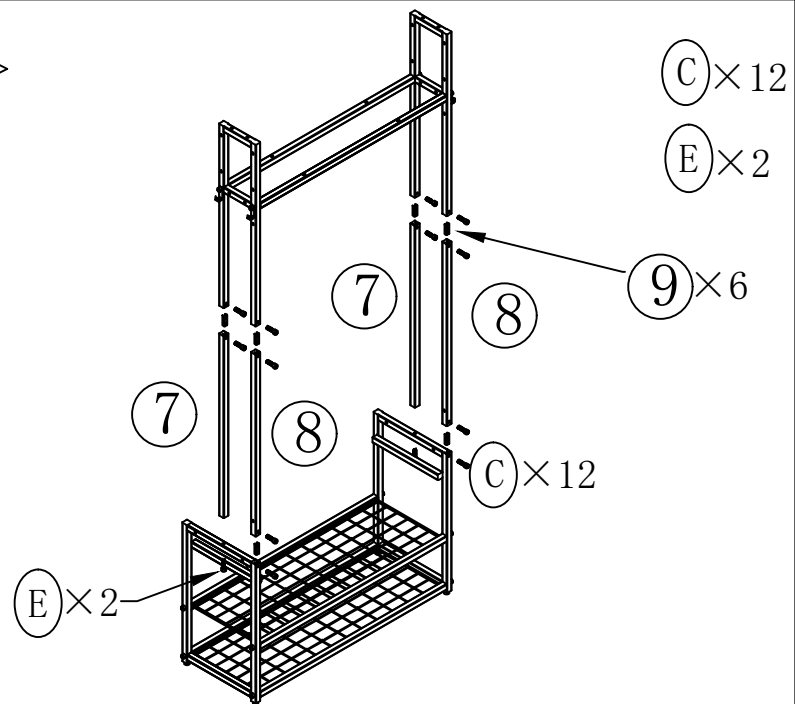
1 ▷



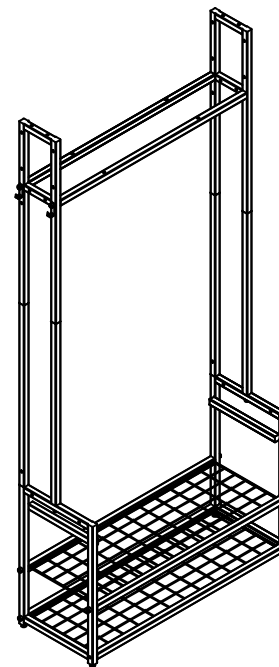
2 ▷



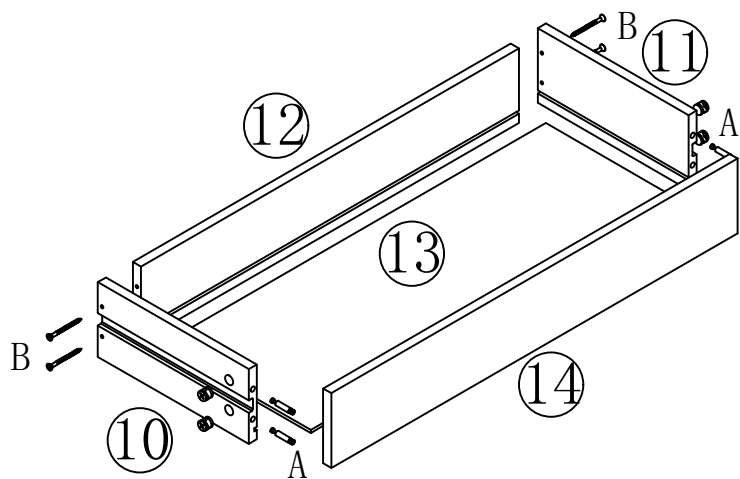
3 ▷



4 ▷

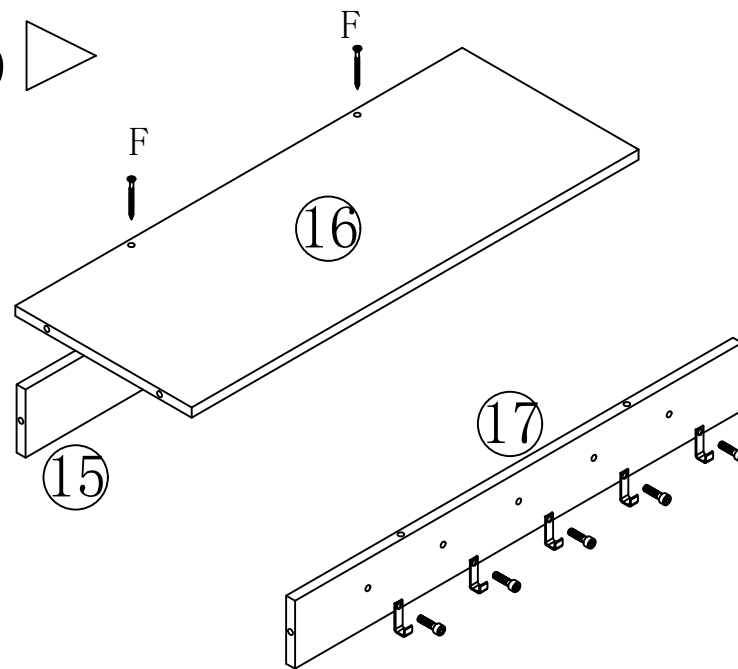


5 ▷



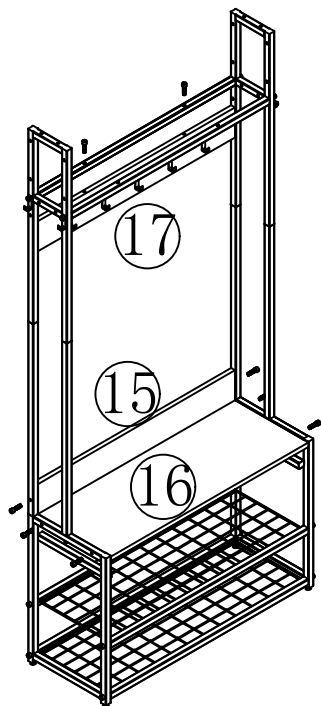
(B) × 4  
(A) × 4

6 ▷



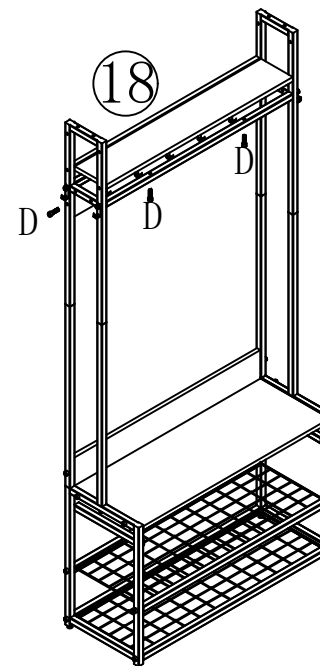
(F) × 2  
(C) × 5

7 ▷



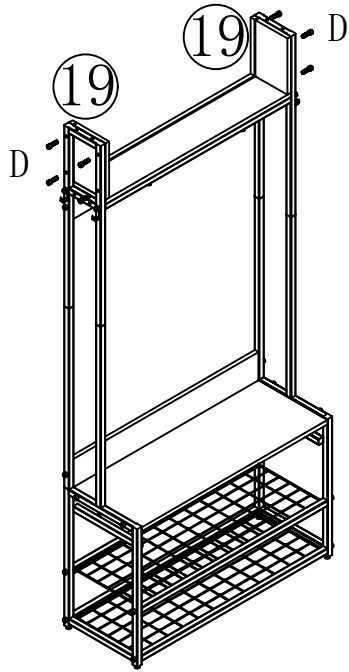
(D) × 8

8 ▷



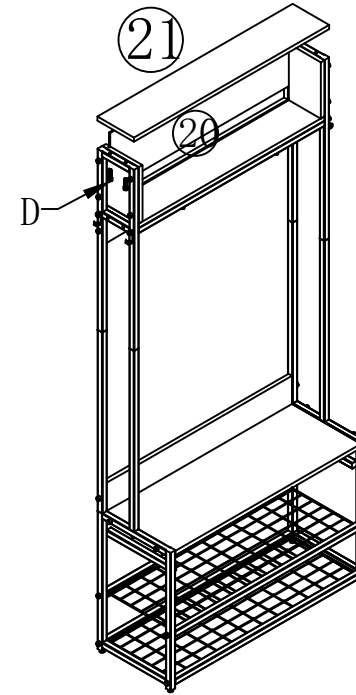
(D) × 4

9 ▷



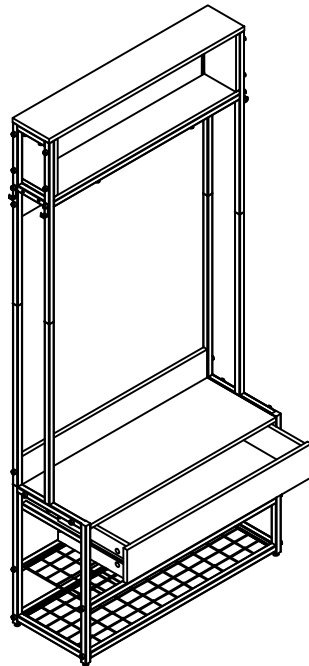
(D) × 8

10 ▷

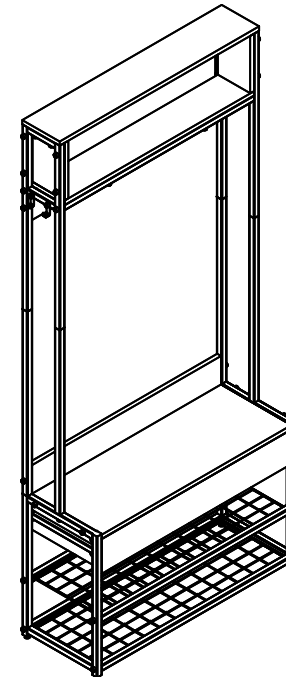


(D) × 4

11 ▷



12 ▷





## No heartburn, when we handle the return

Give us or shoot us a message,  
we will arrange you a free  
replacement with zero hassle

### Our way



Give us a Email



Replacement



You

[support@tribesigns.com](mailto:support@tribesigns.com)

### Their way



Re-package item



Schedule pick-up



Track package



Replacement



You

We really don't want you to go through the hassle of re-packaging your item  
and sending it back, because let's be honest...nobody has time for that.