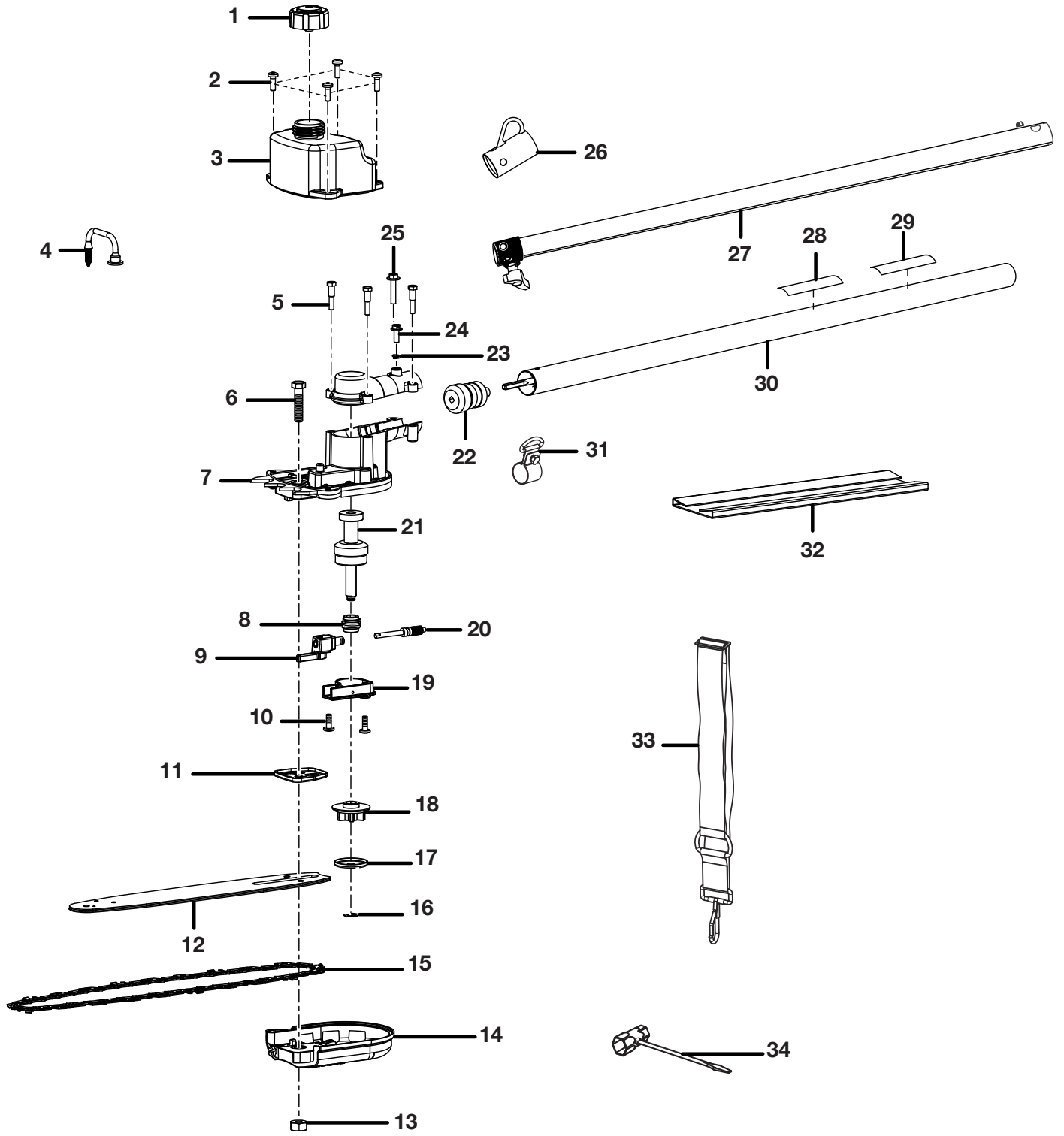


RYOBI
EXPAND-IT PRUNER ATTACHMENT
ITEM NO. RYPRN33
MFG. NO. 090112021
REPAIR SHEET

RYOBI EXPAND-IT PRUNER ATTACHMENT - ITEM NUMBER RYPRN33



RYOBI EXPAND-IT PRUNER ATTACHMENT – ITEM NUMBER RYPRN33

The item number and manufacturing number can be found on a label attached to the unit. Always mention the item number and manufacturing number in all correspondence regarding your **PRUNER ATTACHMENT** or when ordering repair parts.

PARTS LIST

KEY NO.	PART NUMBER	DESCRIPTION	QTY
1	308680010	Oil Cap Assembly	1
2	660934003	Screw (M5 x 18 mm)	4
3	580877001	Oil Tank Cover Assembly	1
4	570714001	Oil Pickup Tube	1
5	660913001	Screw (M5 x 25 mm)	3
6	660910002	Screw (M8 x 35 mm)	1
7	308532002	Gear Case Assembly	1
8	610617001	Worm Gear	1
9	308523001	Oil Pump Seal Assembly	1
10	660912001	Screw (M5 x 13 mm)	2
11	638282001	Bar Pad Plate	1
12	671834023	Guide Bar	1
13	678355001	Hex Nut (M8 x 1.25, Special).....	1
14	120530013	Bar Clamp Assembly.....	1
15	693814001	Chain (10 in.).....	1
16	678354001	E-Ring (Ø6 mm).....	1
17	631060001	Cupped Washer.....	1
18	610618001	Sprocket	1
19	308520001	Oil Pump Housing w/Cam Pin Assembly	1
20	308524001	Pinion Gear and Plunger Assembly.....	1
21	308519001	Output Shaft Assembly	1
22	308514001	Pinion and Bearing Assembly	1
23	678284001	Lock Washer (5 mm).....	1
24	660911001	Screw (M5 x 15 mm)	1
25	660935001	Screw (M5 x 25 mm)	1
26	518019002	Hanger Cap	1
27	308010016	Intermediate Boom Assembly	1
28	940726013	Logo Label.....	1
29	940657030	Warning Label	1
30	120530014	Lower Drive Shaft Assembly (Inc. Key Nos. 28-29)	1
31	308224001	Strap Hanger	1
32	518405001	Scabbard.....	1
33	308487001	Shoulder Strap	1
34	631055001	Combination Wrench.....	1

NOT SHOWN:

991000570 Operator's Manual
6-12-15
(Rev:01)

