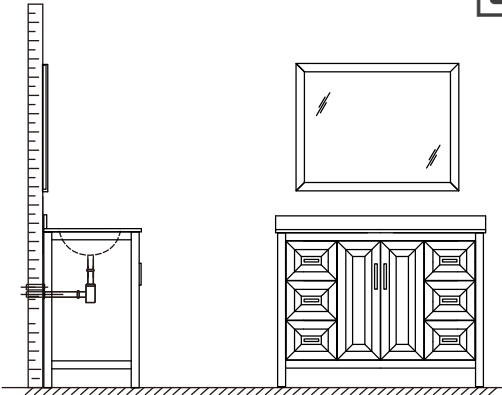
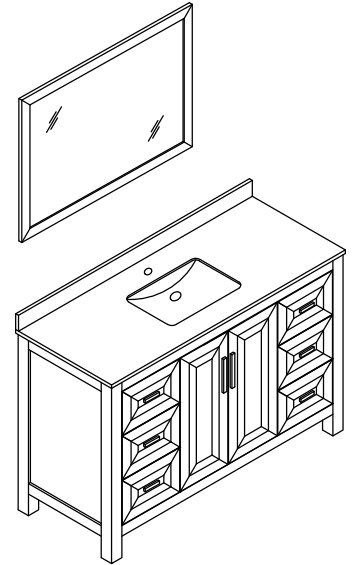


# WYNDHAM COLLECTION

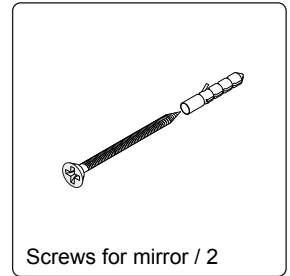
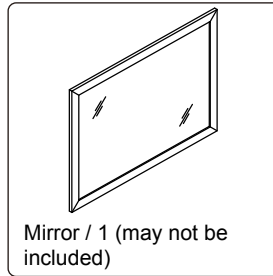
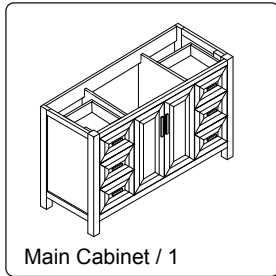
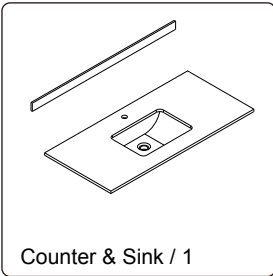


- Prior to installation please check received items against the "Packing List". Please report any missing items to your retailer immediately.
- Protect all surfaces from sharp objects, high heat sources, direct prolonged sunlight and chemical hazards.
- Professional installation recommended.

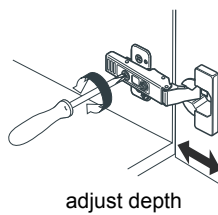
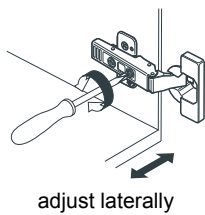
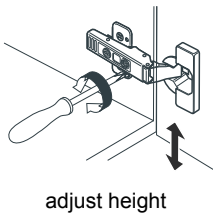


## PACKING LIST

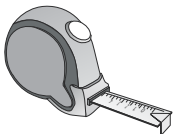
(Not all components may be included, depending upon your purchase)



## HOW TO ADJUST HINGES (if required)



## REQUIRED TOOLS NOT IN BOX



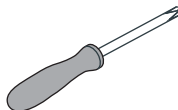
Tape measure



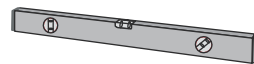
Pencil



Electric Drill



Phillips Screwdriver



Spirit Level

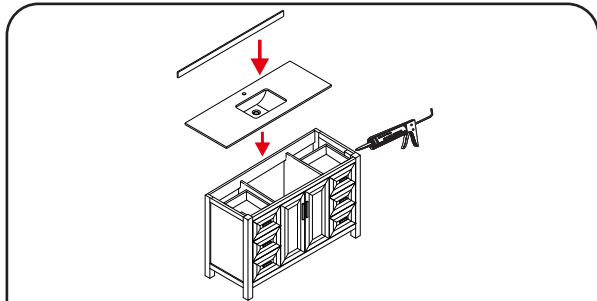


Silicone sealant

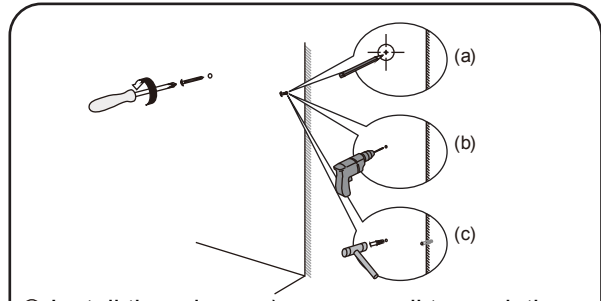
# WC-2525-48 Installation Guide

# WYNDHAM COLLECTION

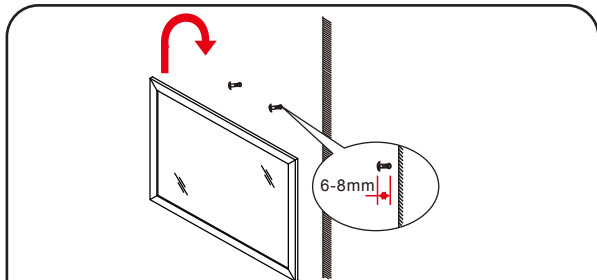
## INSTALLATION INSTRUCTIONS



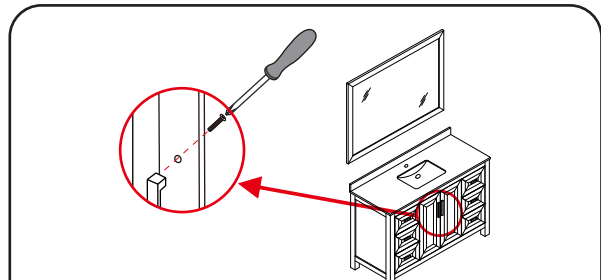
① Install the counter. Seal around the top of the cabinet with clear silicone sealant. Do not over apply. Allow to dry 24 hours for proper curing.



② Install the mirror: a) use a pencil to mark the placement of the screw holes on the wall, b) drill holes, c) insert the plastic wall anchors.



③ Install the screws into the wall anchors, leaving enough of the screw exposed to hang the mirror - approx 1/4" - 1/2".



④ Remove the handles from inside the cabinet doors and drawers and reinstall on the outside. Do not over tighten when reattaching.

WC-2525-48  
Installation Guide