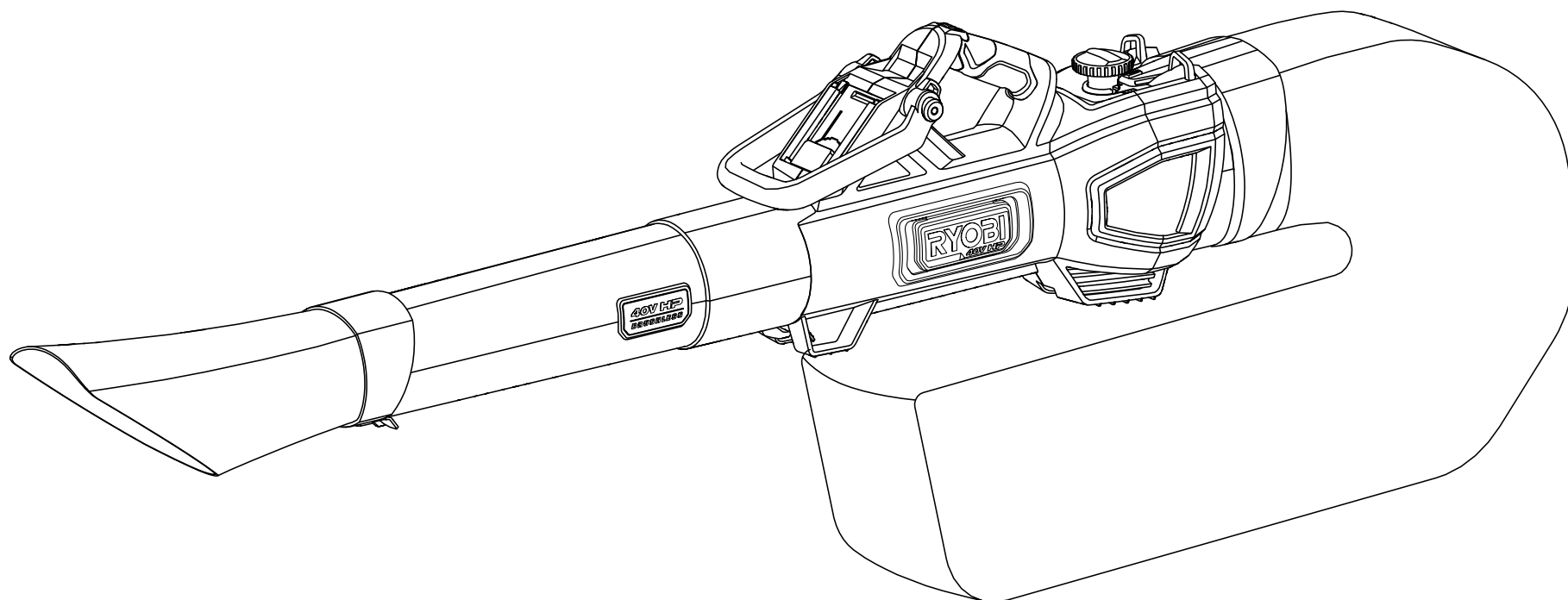


REPAIR SHEET

BRAND RYOBI		DESCRIPTION 40 Volt Blower/Vacuum
MODEL NO. RY404015VNM	MFG. NO. 108727001	

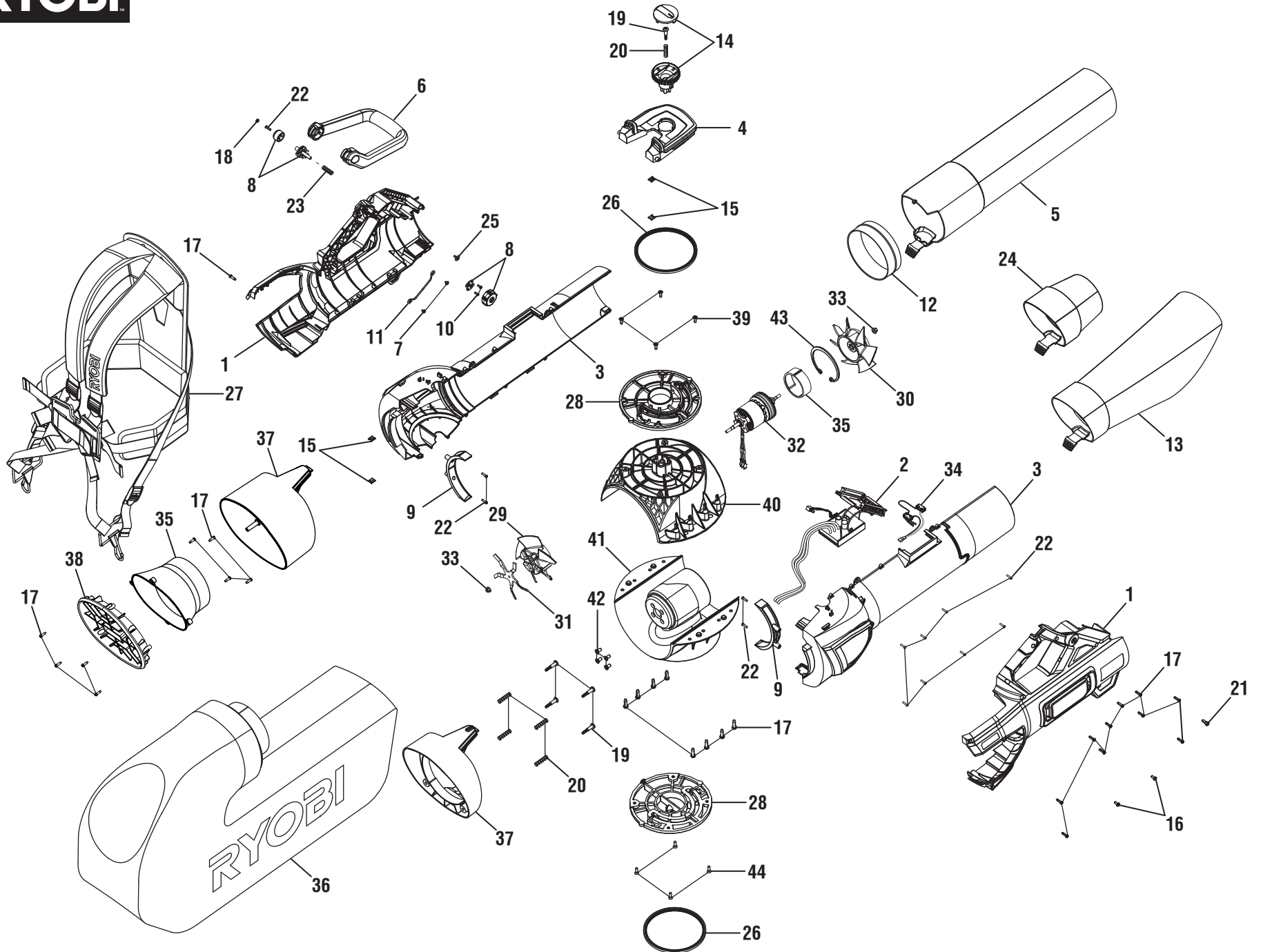


TTI OUTDOOR POWER EQUIPMENT, INC.

P.O. Box 1288, Anderson, SC 29622 ■ 1-800-525-2579 ■ www.ryobitools.com

10-19-22 (Rev:02)

The model number and manufacturing location will be found on a label attached to the product. Always mention this information in all communications regarding this product and when ordering parts.





RY404015VNM

FIGURE A - PARTS LIST

KEY NO.	PART NO.	DESCRIPTION	QTY.
1	205155002	Handle Housing Assembly (Inc. Labels)	1
2	281335025	Motor Contoller & Battery Foot Assembly	1
3	205416002	Ball Cover Assembly	1
4	205155003	Strap Housing Assembly (Inc. Labels)	1
5	205108003	Tube Assembly	1
6	546403001	Support Handle	1
7	660290004	Screw (M3 x 5 mm)	2
8	205104002	Speed Dial Assembly	1
9	205295002	Cover Assembly	1
10	660230018	Screw (M3 x 8 mm, Torx T10)	2
11	683432001	Grounding Strap	1
12	546572001	Ring	1
13	546400001	Vacuum Nozzle	1
14	205893004	Rotating Knob Assembly	1
15	631542003	Housing Connection Clip	4
16	660925002	Screw (M4 x 9 mm, Torx T20)	2
17	661817001	Screw (M4 x 13.5mm, Torx T15)	27
18	528521001	Tamper Indicator Plug	1
19	660723001	Shoulder Screw (M5 x 30.5 mm, Torx T25)	5
20	679055009	Spring	5
21	662113001	Screw (#10-14 x 0.559 in., Torx T25)	1
22	660203087	Screw (M3 x 12 mm)	13
23	679055008	Spring	1

KEY NO.	PART NO.	DESCRIPTION	QTY.
24	547047001	Blower Nozzle	1
25	662240001	Screw (M3.0 x 10 mm)	1
26	546573001	O-Ring	2
27	316123003	Shoulder Harness	1
28	205100006	Ball and Track Contact Ring Assembly	1
29	546415001	Fan (Stage 1, inc. Fan Driver)	1
30	545618001	Fan (Stage 2, inc. Fan Driver)	1
31	682674001	Mulching Blade	1
32	205429002	Motor and Gearbox Assembly	1
33	678774007	Flange Lock Nut (M5)	2
34	292462001	Safety Switch And Wires Assembly	1
35	205397003	Inlet Collar Assembly	1
36	205110006	Vac Bag Assembly	1
37	205100004	Vacuum Bag Holder Assembly	1
38	546414001	Inlet Grate	1
39	662887001	Screw (M3.0 x 1.058, Torx T10)	4
40	545617001	Bottom Housing	1
41	644613001	Top Housing	1
42	662177001	Screw (M4 x 6 mm)	4
43	656824001	Internal Retaining Ring	1
44	661487001	Screw (M3 x 10 mm, Torx T10)	4
	Not Shown:		
	998000968	Operator's Manual	

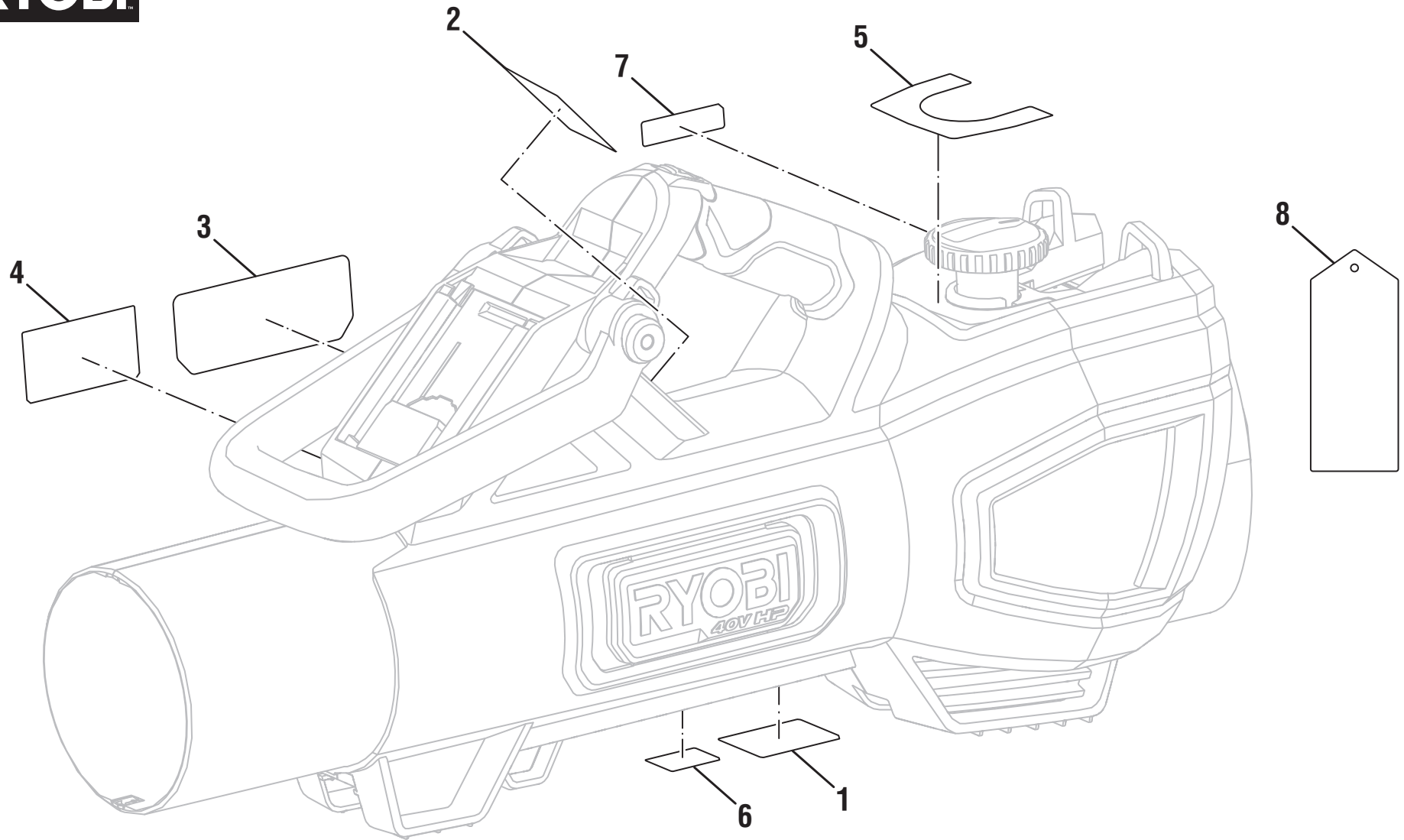


FIGURE B - PARTS LIST

KEY NO.	PART NO.	DESCRIPTION	QTY.
1	941110105	Data Label	1
2	941110106	Icon Label	1
3	941110107	Warning Label	1
4	941110108	Caution Label	1

KEY NO.	PART NO.	DESCRIPTION	QTY.
5	941110109	Dial Label	1
6	941110110	QR Label	1
7	941110041	Ingestion Icon Label	1
8	918012120	Installation Hangtag	1

