

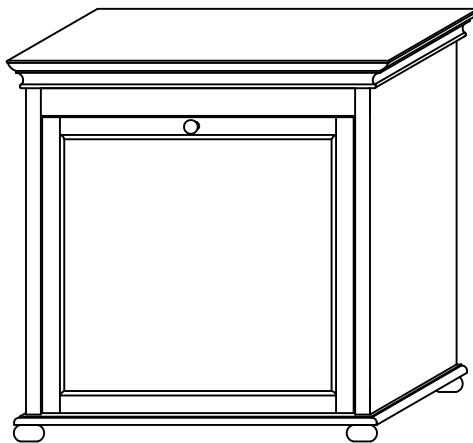
HOME DECORATORS COLLECTION

BF-24162 HAMPTON BAY COLLECTION SINGLE-WIDE TILT-OUT HAMPERS

INV#26013

ASSEMBLY INSTRUCTIONS

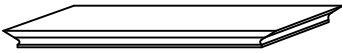
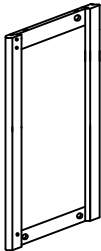
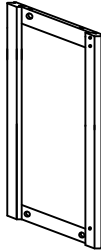
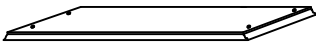

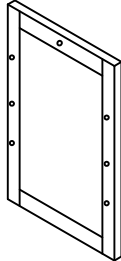
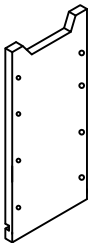
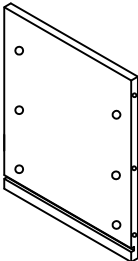
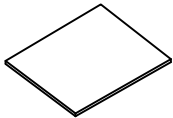
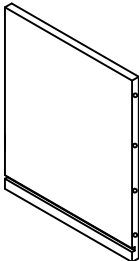
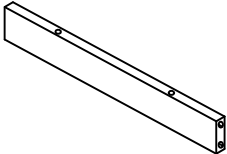
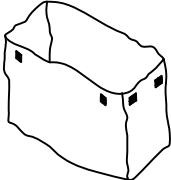
Made In China



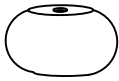
Thank you for purchasing this quality product. Be sure to check all packing material carefully for small parts, which may have come loose inside the carton during shipment. Count all parts and material hardware, then compare with parts list to be sure all parts are present. If any parts are missing or damaged, phone, fax, or mail to our Customer Service Department for efficient and speedy service. Please indicate the model number and code letter of part(s) needed.

IMPORTANT NOTE: Follow instructions listed below in proper sequence as numbered to assure fast, easy and correct assembly.

PARTS LIST

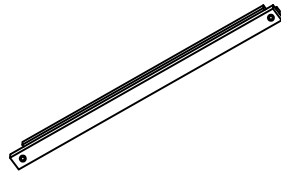
<p>A</p>  <p>TOP PANEL-1PC</p>	<p>B</p>  <p>LEFT SIDE PANEL-1PC</p>	<p>C</p>  <p>RIGHT SIDE PANEL-1PC</p>
<p>D</p>  <p>BOTTOM PANEL-1PC</p>	<p>E</p>  <p>BACK PANELS-2PCS</p>	<p>F</p>  <p>(BUCKET) FRONT PANEL-1PC</p>
<p>G</p>  <p>(BUCKET) SIDE PANELS-2PCS</p>	<p>H</p>  <p>(BUCKET) STICK PANEL-1PC</p>	<p>I</p>  <p>BASE PANEL-1PC</p>
<p>J</p>  <p>(BUCKET) BACK PANEL-1PC</p>	<p>K</p>  <p>BAFFLE PANEL-1PC</p>	<p>L</p>  <p>BAG-1PC</p>

M



FEET-4PCS

N



REAR PANEL GUIDE-1PC

O



KNOB-1PC

P

8mm × 1/2"



SCREWS-1PC

Q



DOWELS-4PCS

R



HINGE-2PCS

S

7mm × 5/8"



SCREWS-14PCS

T



ALLEN WRENCH-1PC

U



CAM-TOOL-1PC

V

6mm × 3/4"



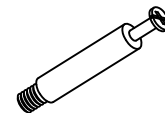
SCREWS-26PCS

W



CAM-LOCKS-8PCS

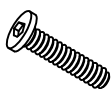
X



CAM-BOLTS-8PCS

Y

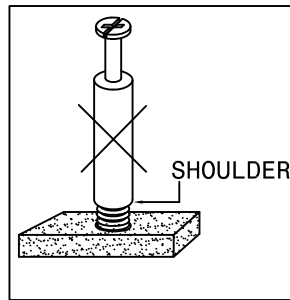
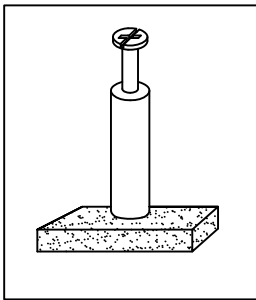
11mm × 1-1/4"



SCREWS-4PCS

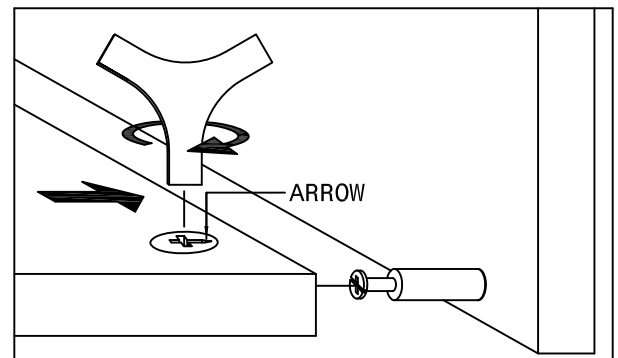
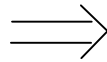
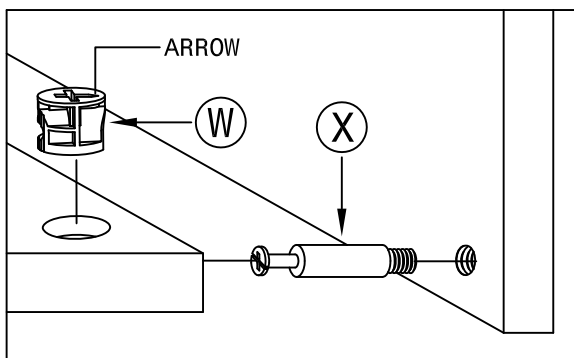
NOTE: THE SURFACE WITH THE STICKER IS THE BACK SIDE.

NOTE: • UPON OPENING, THOROUGHLY CLEAN ALL WOODS SURFACES TO REMOVE DUST AND DIRT THAT MAY HAVE SETTLED ONTO FINISH DURING SHIPMENT. IN ORDER TO PREVENT DAMAGE DURING ASSEMBLY, PLEASE ASSEMBLE THIS ITEM WITH AT LEAST TWO PEOPLE.

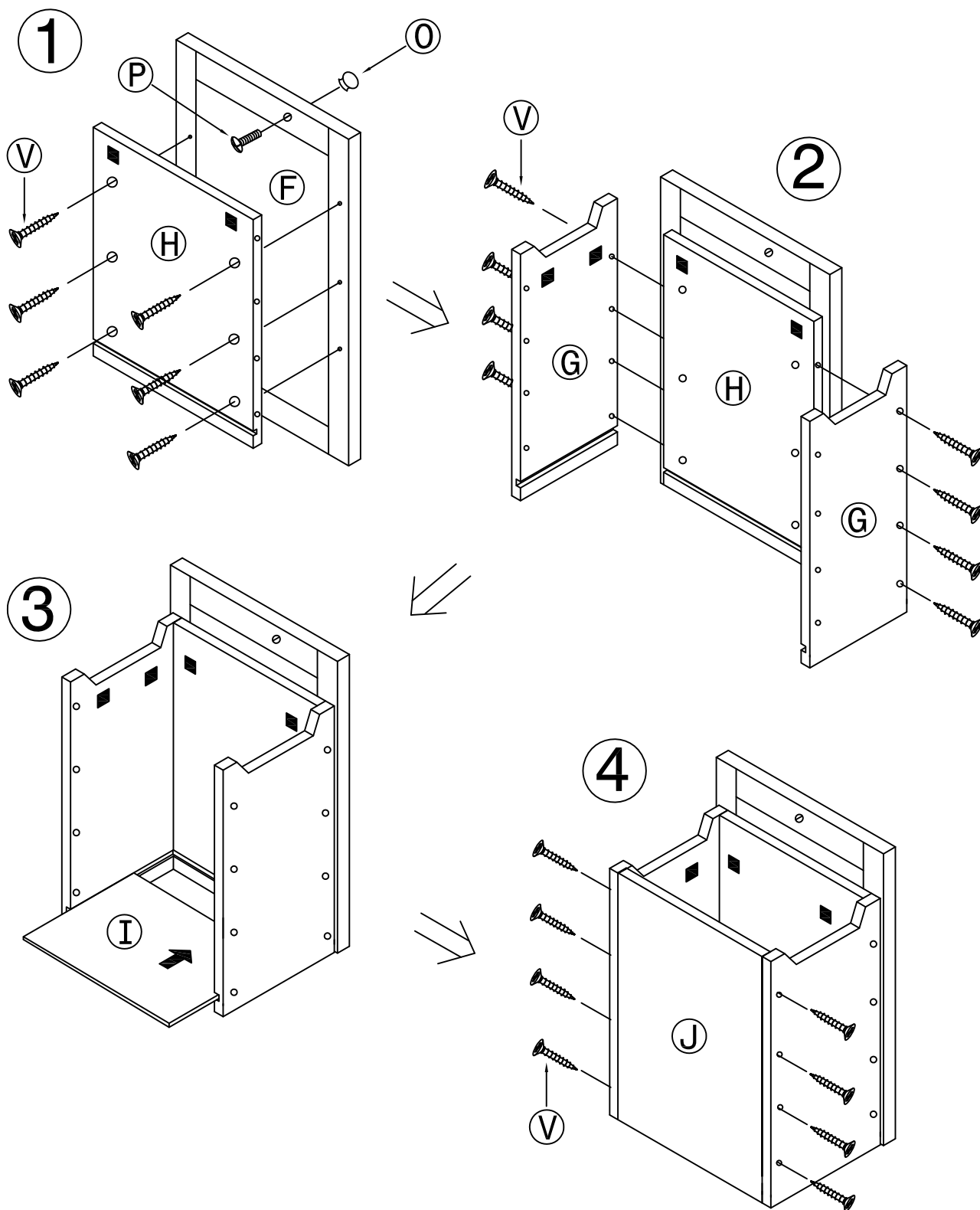


NOTE: TURN THE CAM-BOLT SCREWS UNTIL THEY ARE TIGHT, THE SHOULDER SHOULD BE AGAINST THE SURFACE OF THE PART.

HOW TO USE THE CAM-TOOL

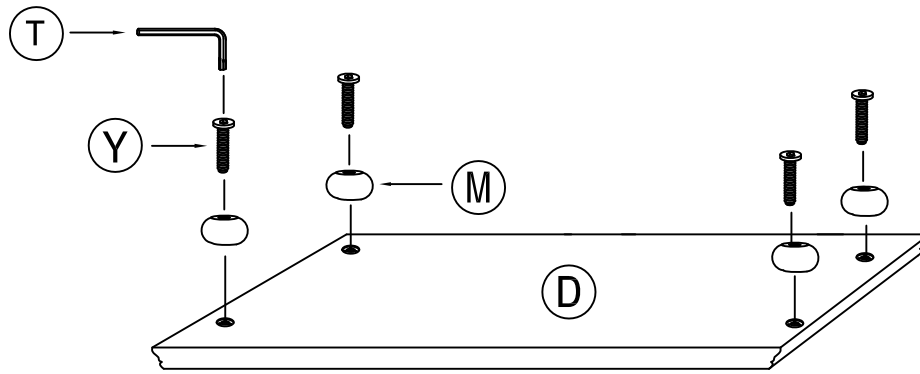


NOTE: • THE ARROWS ON THE HIDDEN CAM-LOCKS SHOULD POINT TO THE CAM-BOLTS



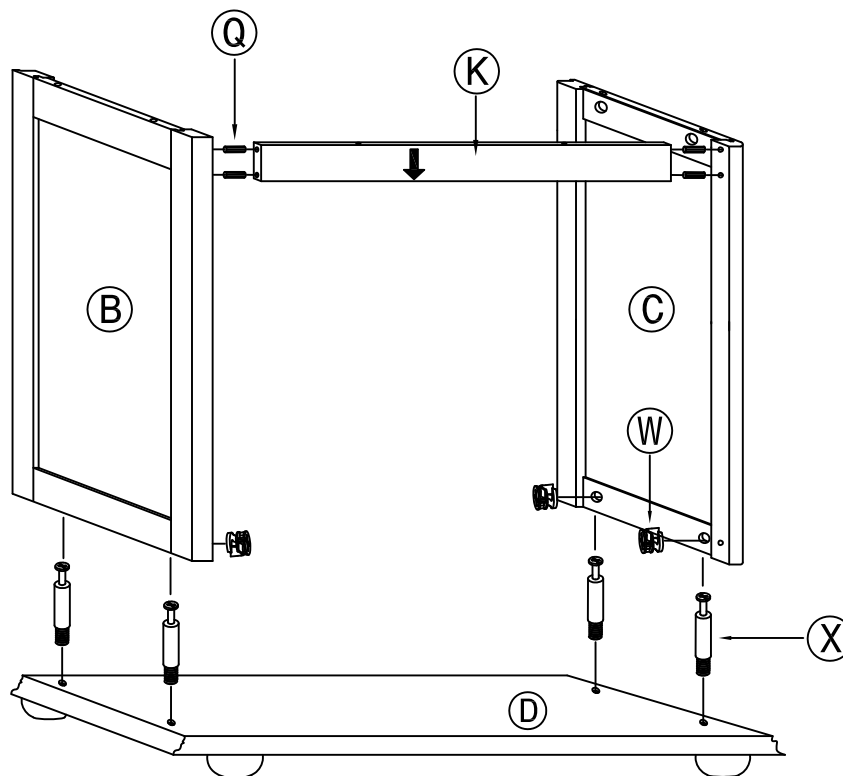
1) .ASSEMBLE DIRTY CLOTHING BUCKET.

- ① ● ATTACH STICK PANEL(H) USING 6 SCREWS(V) AND ATTACH KNOB(O) USING 1 SCREW(P).
- ② ● ATTACH SIDE PANEL(G) TO STICK PANEL(H) USING 8 SCREWS(V).
- ③ ● INSERT BASE PANEL(I) INTO THE SLOT IN THE SIDE PANEL(G) INTO PANEL(H).
- ④ ● ATTACH BACK PANEL(J) TO SIDE PANEL(G) USING 8 SCREWS(V).



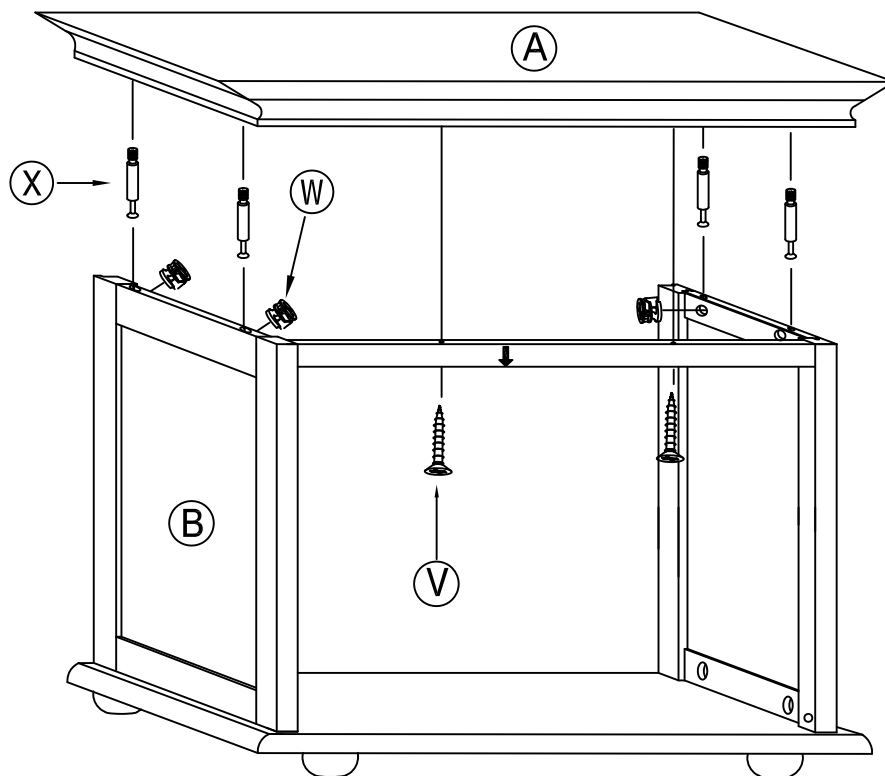
2) .ASSEMBLE THE FEET(M) .

- ATTACH 4 FEET(M) TO BOTTOM PANEL(D) USING 4 SCREWS(Y) .



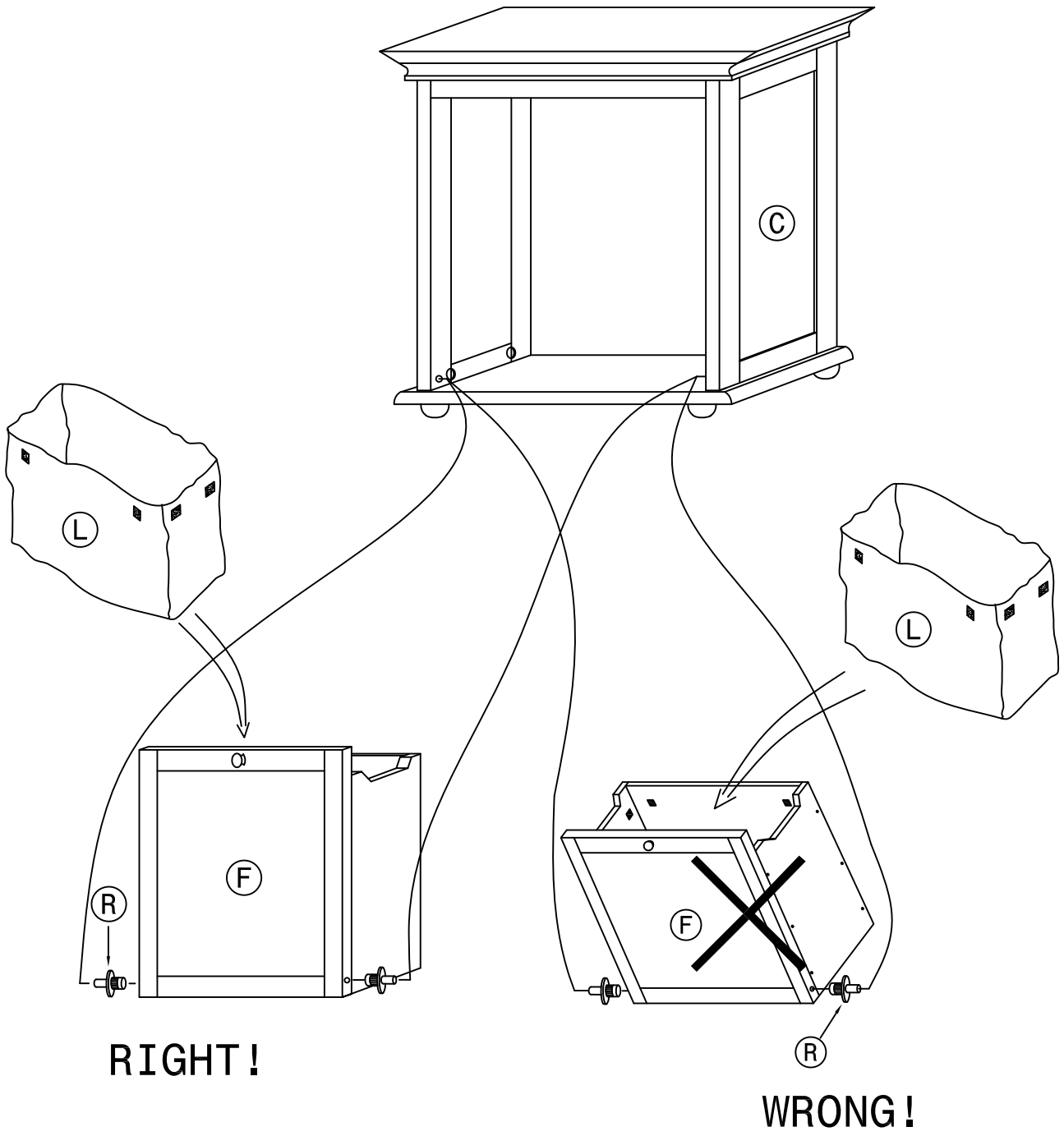
3) .ASSEMBLE SIDE PANEL(B/C) AND BOTTOM PANEL(D) .

- INSERT 4 DOWELS(Q) INTO THE HOLES IN THE BAFFLE PANEL(K) AND SIDE PANEL(B/C) .
- ROTATE THE 4 CAM-BOLTS(X) INTO THE HOLES IN THE BOTTOM PANEL(D) .
- PLACE CAM-BOLTS(X) INTO THE HOLES IN THE PANEL(B/C) AND ATTACH USING 4 CAM-LOCKS(W) .



4) .ASSEMBLE TOP PANEL (A) .

- ROTATE THE 4 CAM-BOLTS(X) INTO THE HOLES IN THE TOP PANEL (A) .
- PLACE CAM-BOLTS(X) INTO THE HOLES IN THE PANEL (B/C) AND ATTACH USING 4 CAM-LOCKS(W) .
- ATTACH BAFFLE PANEL (K) USING SCREWS (V) IN THE PREDRILLED HOLES OF TOP PANEL (A) .

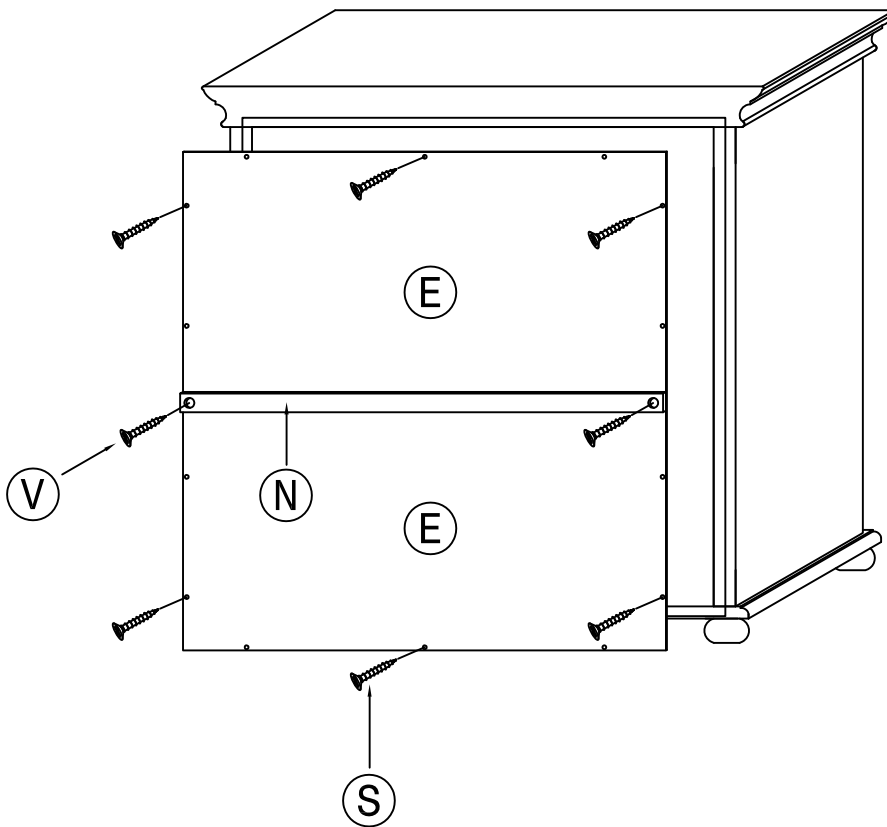


RIGHT!

WRONG!

5) . ASSEMBLE DIRTY CLOTHING BUCKET.

- PUT THE BAG(L) INTO THE BUCKET.
 - INSERT THE HINGE(R) INTO THE HOLES IN THE (BUCKET)FRONT PANEL(F).
 - PLACE THE HINGE(R) BETWEEN INTO THE HOLES IN THE SIDE PANEL(B/C).
- PUSHING THE HINGE IN WITH YOUR FINGER WHILE SLIDING INTO POSITION IS THE EASIEST WAY TO ATTACH THE HAMPER.



6) .ASSEMBLE THE BACK PANEL (E) .

- INSERT THE BACK PANEL (E) INTO THE SLOT IN THE REAR PANEL GUIDE (N) .
- ATTACH THE BACK PANEL (E) AND REAR PANEL GUIDE (N) USING SCREWS (S/V) .