

ALL-IN-ONE
TOUT-EN-UN
TODO EN UNO

UTILITY SINK, STORAGE CABINET AND FAUCET
ÉVIER UTILITAIRE, ARMOIRE DE RANGEMENT ET ROBINET
FREGADERO DE SERVICIO, GABINET DE ALMACENAMIENTO Y GRIFO



OWNER'S MANUAL
MANUEL DE L'UTILISATEUR
MANUAL DEL USUARIO

QL014K
REV. 20201211

Table of Contents

Safety Information	2	Strainer Installation	11
Warranty		Mounting the Sink	12
One Year Limited Warranty	3	Placement	12
Warranty Claim Procedure	3	Supply Line Assembly	12
Pre-Installation		Maintenance	
Tools/Materials Required	4	Cartridge Replacement	13
Package Contents	5	Care and Cleaning	
Installation		Sink	14
Preparation	6	Cabinet	14
Cabinet Assembly	7	Service Parts	15
Door Installation	9	MANUEL DE L'UTILISATEUR	16
Door Position Adjustment	9	MANUAL DEL USARIO	30
Faucet Installation	10		

Safety Information

READ AND SAVE THESE INSTRUCTIONS



DANGER: Always wear safety goggles and gloves in order to avoid personal injury.

1. Unpack and inspect this product for chips, scratches, cracks, dents, and scuff marks. Do not install this product if any damages or defects are identified.
2. Use this product only in the manner intended by the manufacturer. If you have any questions, contact the manufacturer.
3. Installation work and plumbing must be done by qualified person(s) in accordance with all applicable codes and standards.
4. Protect the entire surface during installation.

Warranty

ONE YEAR LIMITED WARRANTY

A thorough inspection must be made before installation and any damage must be promptly reported. We will not be liable for failures or damage that could have been discovered or avoided by proper inspection and testing prior to installation.

Conglom Inc. warrants this product to be free from defects in materials or workmanship for one (1) year from the date of purchase. Proof of purchase (original sales receipt) from the original consumer purchaser must be made available to Conglom Inc. for all warranty claims.

This warranty is non-transferable and shall be voided if the unit is removed from its initial installation or if it is not installed following the manufacturer's instructions. It does not apply in the event of product damage due to the use of other than genuine Conglom Inc. replacement parts, (Replacement parts may be obtained by e-mail at cs@conglomkb.com or by calling 1-877-333-0098 between 8:30 am - 5:00 pm EST) installation error, abuse, misuse or improper care and maintenance (whether performed by a plumber, contractor, service provider or member of the purchaser's household). The warranty excludes damage due to aggressive air or water conditions, harsh or abrasive cleaners and/or materials.

Under no circumstance shall we be held liable for personal injury or property damage resulting from improper installation or use of this product. We will not be held liable for inconvenience caused by loss of use of this product, costs incurred for labour or materials, removal and installation of replacement units, or any other incidental or consequential damages. Costs relating to obtaining access for repair or replacement are the responsibility of the user.

Our obligation shall be limited to the repair or replacement of a unit (at our discretion) that may prove, by our sole examination, to be defective under normal use and service during the warranty period.

Any failure of this product that is not traceable to a defect in material or workmanship is not covered by this warranty. These non-warrantable items include, but are not limited to:

- Improper installation not in accordance with manufacturer's instructions.
- Dents and/or scratches incurred during shipping, handling, or installation.
- Change in colour or finish due to chemical usage.
- Damage caused by failure to follow care and cleaning guidelines, including damage caused by the use of abrasive cleaners.
- Alterations made to the unit by the purchaser or installer.
- Damage caused by accidental impact, fire, flood, freezing, and normal wear.
- Bends and warping caused by forced connections, over-tightened fittings, and inadequate support during installation.
- Damage caused by use of chlorine-based cleaners.

This warranty does not extend to commercial and institutional installation or use.

WARRANTY CLAIM PROCEDURE

If a claimable defect occurs or replacement parts are needed, please contact our customer service team at cs@conglomkb.com or 1-877-333-0098 (Service available in English and French, Monday - Friday from 8:30am - 5pm EST).

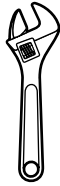
Before you make your call, please ensure that you have:

- Model number or description.
- Proof of sale.
- Details regarding the defect and/or part number.
- Name(s) and address(es) of the owner and/or installer.

Pre-Installation

TOOLS/MATERIALS REQUIRED (NOT SUPPLIED)

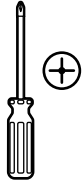
ENGLISH



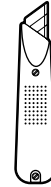
Adjustable wrench



Needle nose pliers



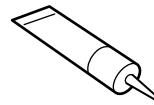
Phillips screwdriver



Utility knife



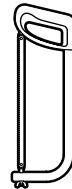
Pipe wrench



Sealant



Carpenter's level



Hacksaw



Safety gloves



Safety goggles

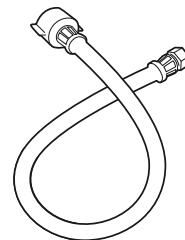
PARTS REQUIRED (NOT SUPPLIED)



Tail Pipe



P-Trap



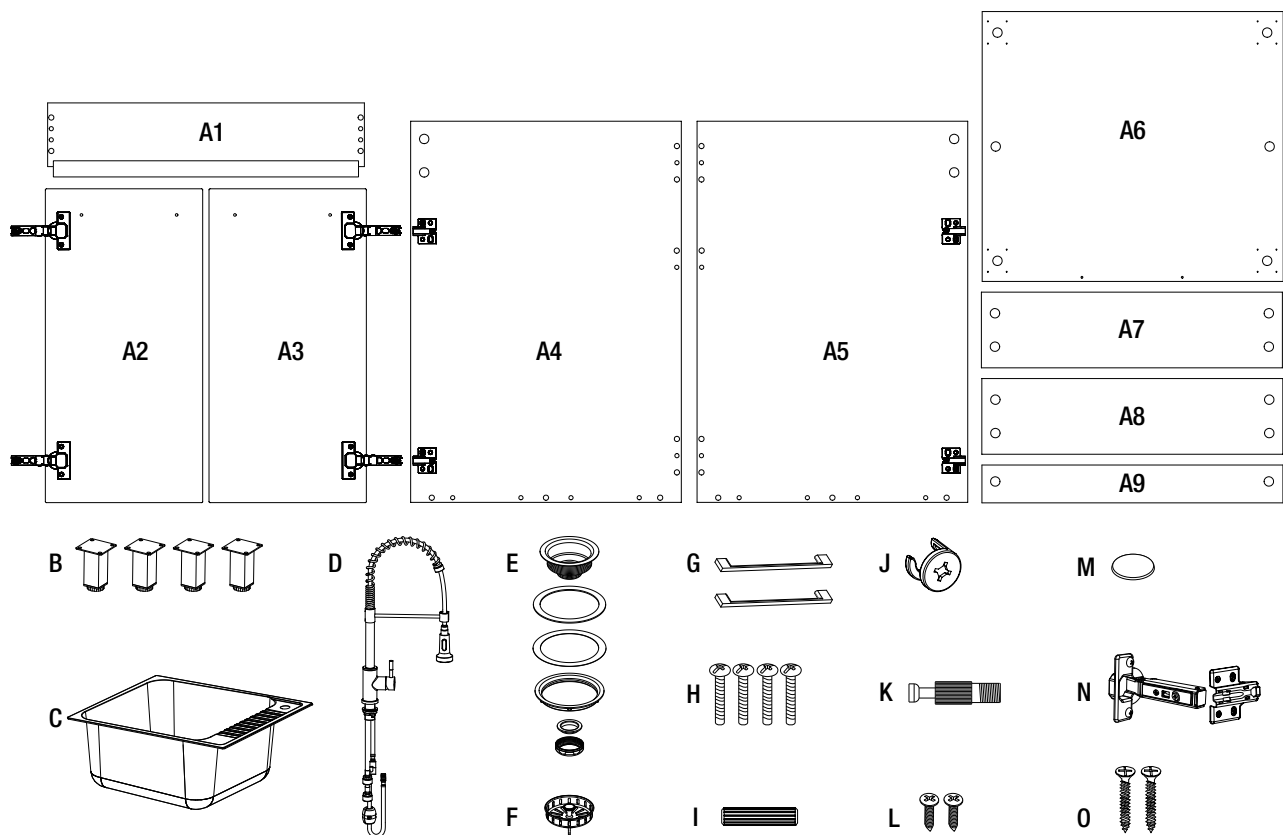
Supply line

Pre-Installation (continued)

PACKAGE CONTENTS

Carefully check the utility cabinet for damage and/or missing parts prior to installation. If there is any damage or if you are missing parts, do not proceed with the installation. Report damage and/or missing parts immediately to our customer service team at cs@conglomkb.com or 1-877-333-0098 (Service available in English and French, Monday - Friday from 8:30 am - 5:00 pm EST). Please do not dispose of packaging before you are satisfied with your new utility cabinet.

ENGLISH



Part	Description	Quantity
A1	Front Panel	1
A2	Right Door	1
A3	Left Door	1
A4	Left Panel	1
A5	Right Panel	1
A6	Bottom Panel	1
A7	Bottom Brace	1
A8	Top Brace	1
A9	Middle Brace	1
B	Cabinet Legs	4
C	Sink	1
D	Faucet	1

Part	Description	Quantity
E	Strainer Assembly	1
F	Strainer Basket	1
G	Door Handles	2
H	Door Handles Screws	4
I	Dowels	18
J	Cam Lock	20
K	Cam Lock Pin	20
L	Cabinet Leg Screws	16
M	Door Bumpers	4
N	Door Hinges (pre-installed)	4
O	Bottom Brace Screws	2

Installation

PREPARATION

- Unpack all components and place them on a blanket or cardboard to protect them.
- Install wooden dowels (I) and cam lock pins (K) in their appropriate locations on all cabinet and base panels. It is best to install the dowels (I) into the edges of the panels (A4) to (A8). Cam lock pins must be installed into the small threaded inserts of the flat faces of cabinet panels (A1), (A4) and (A5) as shown below.

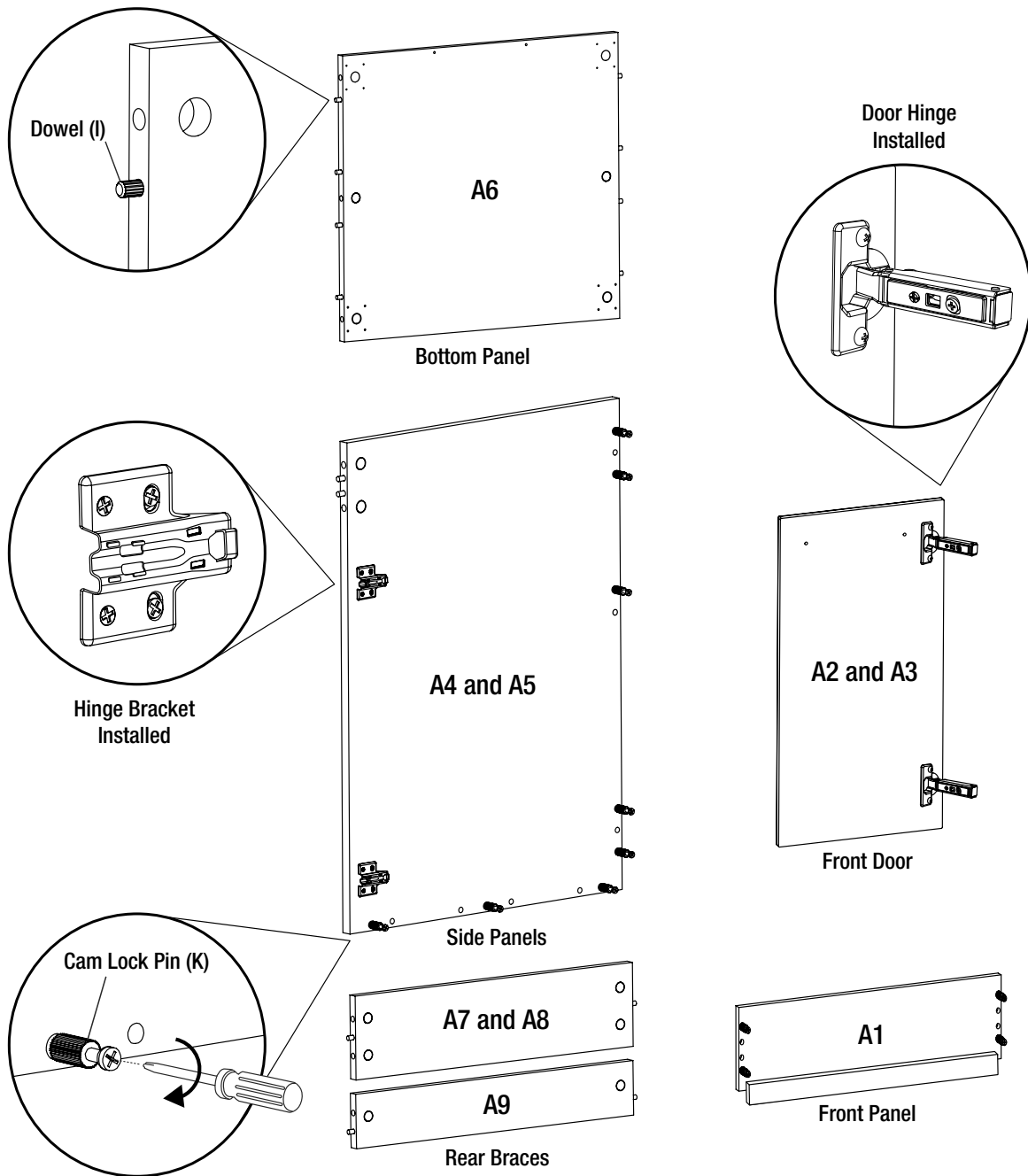


Fig. 1

CABINET ASSEMBLY

- Assemble base cabinet panels A5, A6, along with the bottom brace A7 and lock them together using cam locks (J).

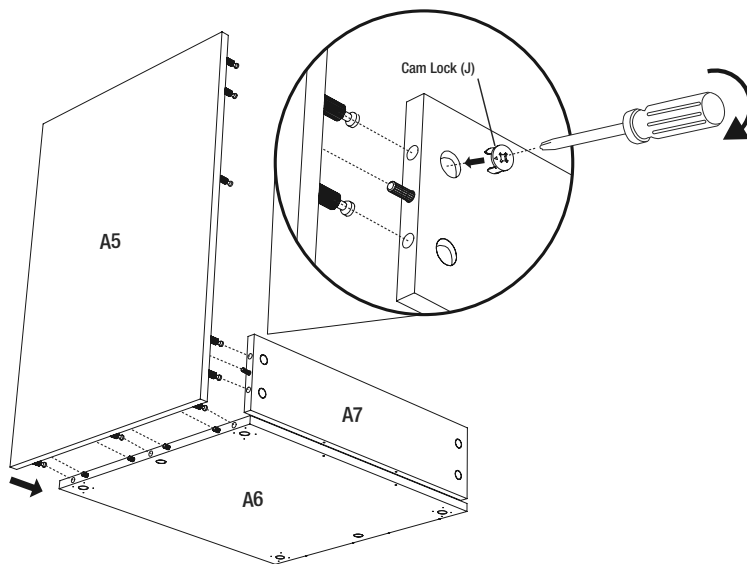


Fig. 2

- Assemble remaining base cabinet panel A4 along with the top brace A8 and A9 then lock them together using cam locks (J).

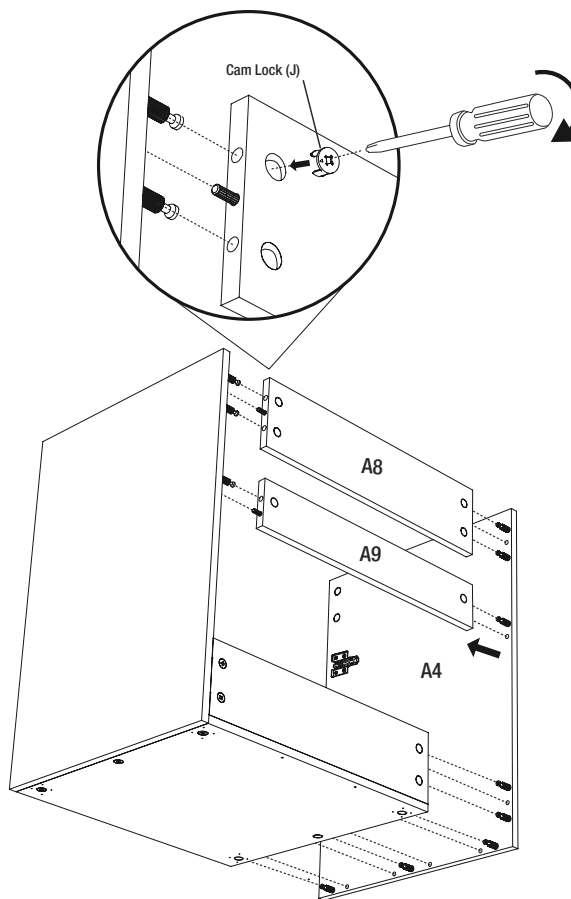


Fig.3

Installation (continued)

ENGLISH

- Install front panel (A1) and secure it with cam locks (J).

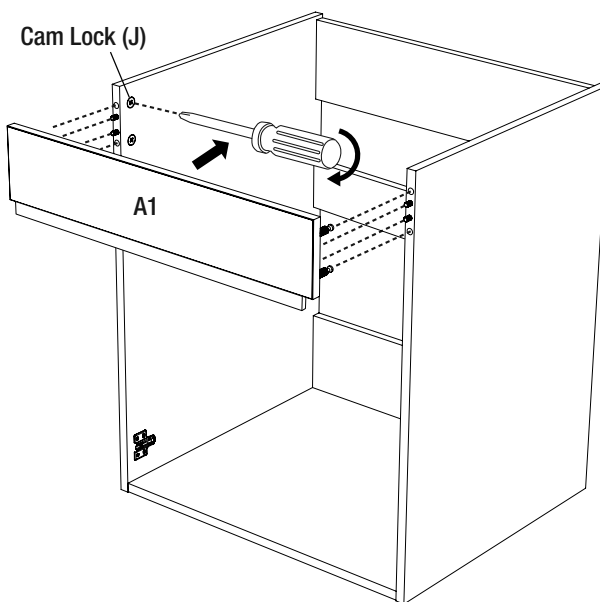


Fig.4

- Rotate the cabinet and secure bottom panel (A6) to bottom brace (A7) using bottom brace screws (O).
- Ensure all cam locks (J) have been securely tightened in all cabinet panels.
- Install cabinet legs (B) using leg screws (L).

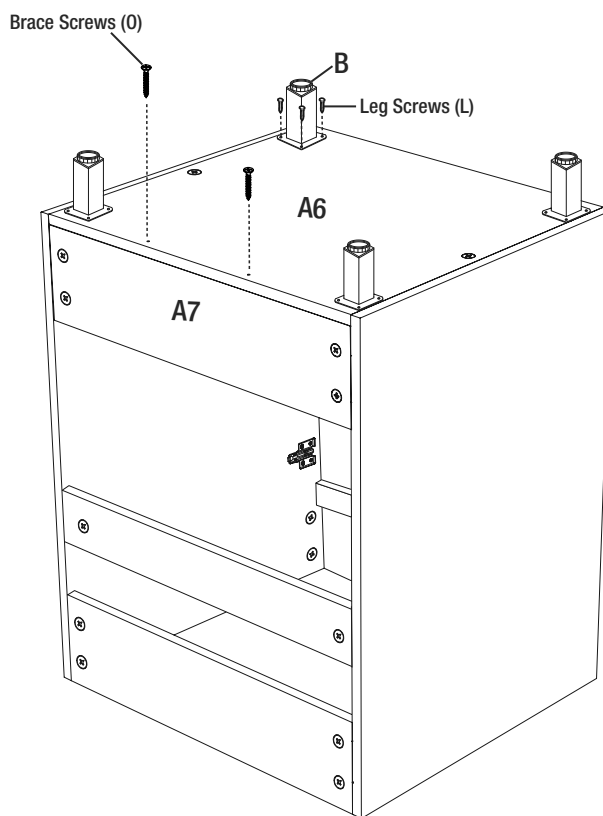


Fig.5

Installation (continued)

DOOR INSTALLATION



CAUTION: Do not rest or bump the leveling feet on the side as this may cause them to detach or break.

- Rotate the cabinet right side up and install the doors. The hinges installed in the doors are designed to hook and click into the hinge plates installed in the side panels of the cabinet.
- You will hear a click sound when the hinges are properly engaged in the hinge plates.

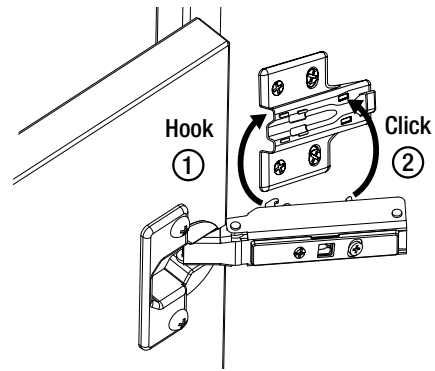


Fig. 6

- Insert the door handle screws (H) into the pre-drilled holes on each door.
- Attach the door handles (G) and tighten the door handle screws (H).
- Peel and stick rubber door bumpers (M) to the inner corners of the doors (optional).

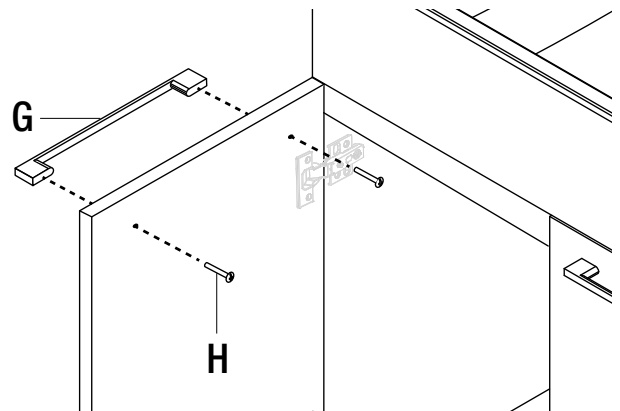
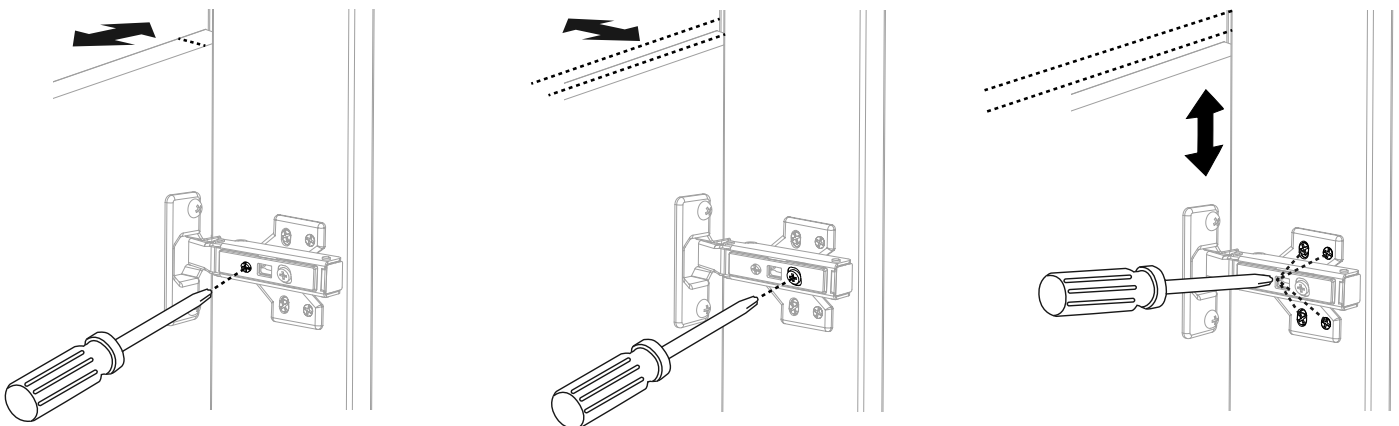


Fig. 7

DOOR POSITION ADJUSTMENT

- If the doors need to be repositioned, the hinges can be adjusted to ensure a precise fit with the cabinet.



- The lateral adjustment screw adjusts the door left or right.

- The horizontal adjustment screw adjusts the door forward or backward.

- The vertical adjustment screw adjusts the door up or down.

Fig. 8

Installation (continued)

FAUCET INSTALLATION

- Connect the sprayer head (1) to the sprayer head connector (2).
- Remove the gasket (3), metal washer (4), and retaining nut (5) from the mounting shank of the faucet.
- Insert the faucet hose and the mounting shank through the faucet hole in the sink and rest the faucet on the sink.
- From underneath, secure the faucet to the sink with the gasket (3), metal washer (4), and retaining nut (5).
- Tighten the retaining nut (5) by hand until it is snug. Use a wrench to tighten it down. Gently tighten the two screws on the retaining nut. Do not overtighten.
- Connect the main water supply outlet (6) to the sprayer hose (9) using the quick connector (7) as shown. Connect the male quick connector fitting (8) to the female quick connector fitting (7) until it locks. Lightly tug on the quick connect fittings to ensure they are fully engaged.
- Fully retract the sprayer hose (9). Install the counterweight (10) about 2 in. (50 mm) from the bottom on the side closest to the sprayer head (1). There should be no slack in the hose and it should retract freely.
- Attach and hand tighten the supply lines (not supplied) onto the faucet inlet fittings. Use two wrenches to tighten the two ends together.

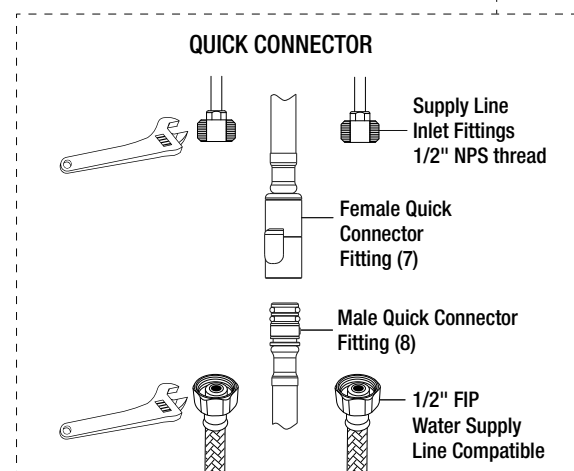
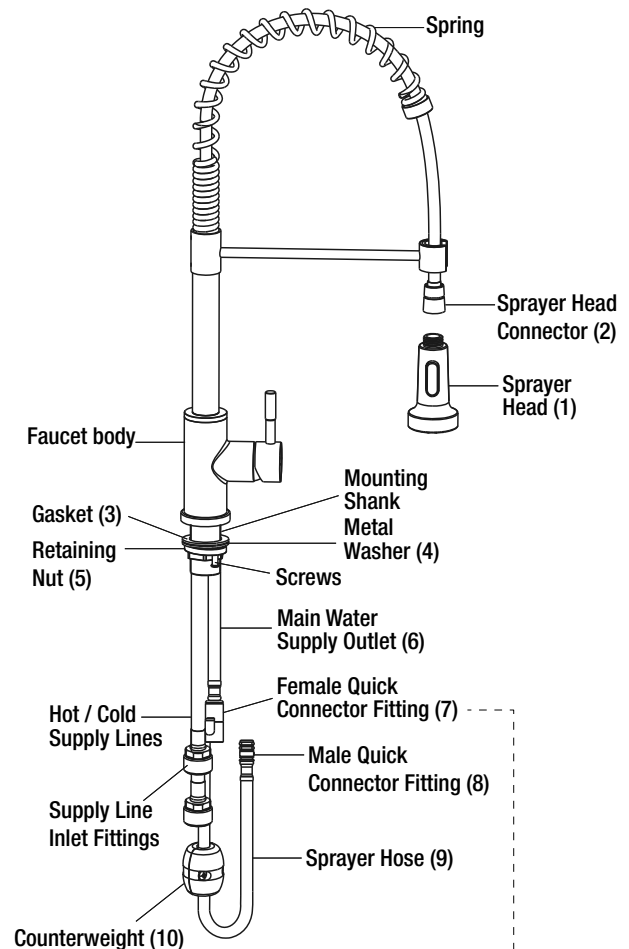


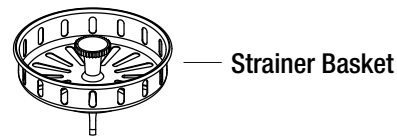
Fig. 9

NOTE: Failing to use two wrenches can damage the faucet and void the warranty. Do not overtighten. It is helpful to have a second person hold the faucet in place while tightening the mounting nuts. Please ensure that none of the supply lines are kinked during installation.

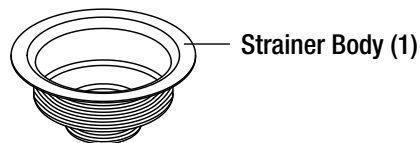
Installation (continued)

STRAINER INSTALLATION

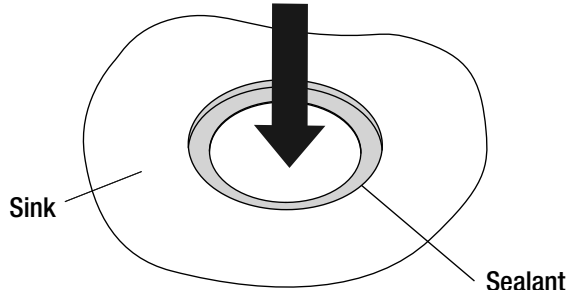
- Apply plumbing putty or silicone sealant to the top side of the drain opening.



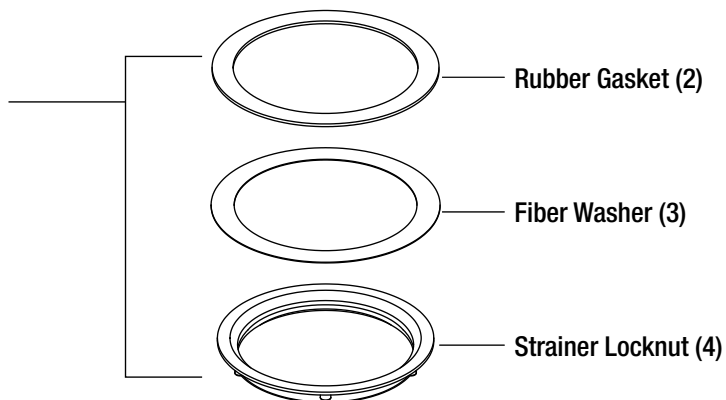
- Insert the strainer body (1) into the drain opening and press it down until it is evenly seated.



- Assemble the rubber gasket (2), fiber washer (3) and strainer locknut (4) onto the strainer body (1) from underneath the sink. Hand tighten the strainer locknut (4) until it is snug. Do not overtighten.



- Insert the plastic flange (5) into the flange-end of the tailpipe (6) (not supplied) then secure the tailpipe to the strainer body using the connecting nut (7). Tighten the connecting nut (7) until it is snug. Do not overtighten.



- Remove excess sealant from around the drain opening.

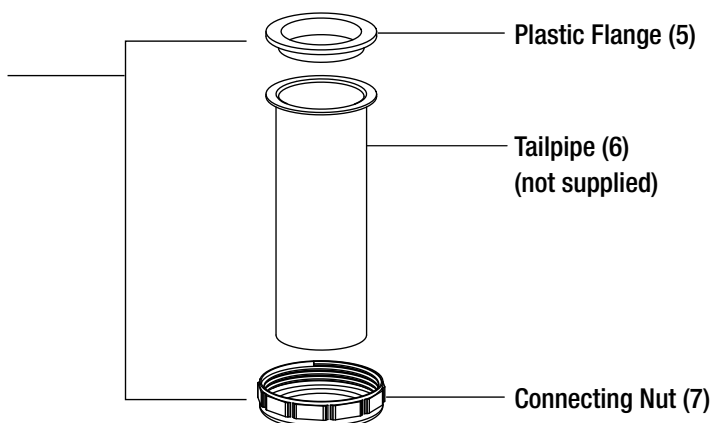


Fig. 10

Installation (continued)

MOUNTING THE UTILITY SINK

- Carefully place a bead of sealant all around the top of the cabinet (A).
- Ease the sink (C) into the cabinet (A), ensuring that it is placed evenly and is centered on the cabinet. Wipe off any excess sealant. Use masking tape to hold the sink in place until the sealant dries.

PLACEMENT

- Push the cabinet (A) against the wall. Level the unit by adjusting the four leveling legs and checking the alignment of the sink using a carpenter's level.
- Please note, leveling feet are intended for leveling the cabinet, not height adjustments. It is not recommended to extend leveling feet by more than 0.4" (10mm). Overextending the leveling feet may render the sink cabinet unstable.

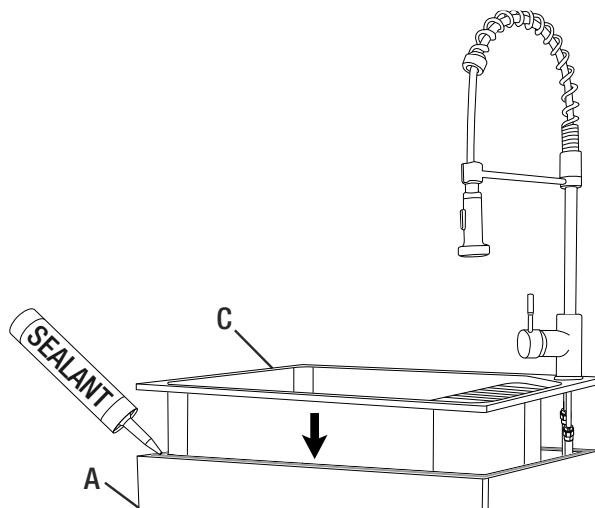


Fig. 11

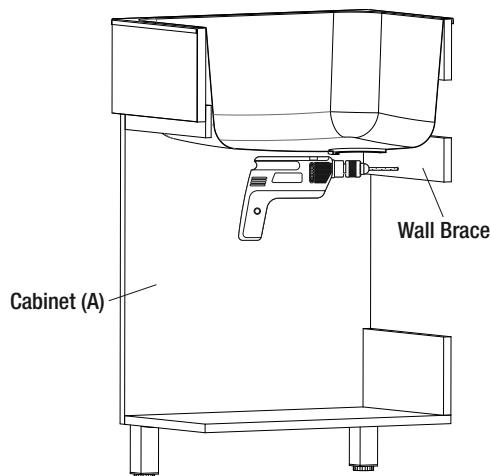
IMPORTANT: Due to the size and weight of this product, it must be firmly attached to the wall using fastening hardware that is appropriate for your wall type.

For drywall or plaster walls, it must be attached to a wooden wall stud. Please consult a qualified installation professional if necessary. Failing to do so could result in property damage or personal injury.

Use silicone sealant to seal the sink to the wall and any adjacent surfaces to keep those surfaces dry. Failing to do so could result in moisture damage.

DRAINAGE

- The tailpipe (not supplied) previously installed to the drain can now be connected to your household plumbing. In some cases, your household plumbing will have to be modified to ensure proper drainage. If so, please consult a licensed plumber to complete needed modifications.



Cabinet Cross Section
Some Components Removed For Clarity

Fig. 12

SUPPLY LINES (NOT INCLUDED)

- Connect the supply lines to your home's water supply as per manufacturer's instructions.
- Open the hot and cold water supply valves and check to make sure they have been installed to appropriate inlet ports. Check for leaks. Run hot and cold water uninterrupted for about one minute to remove any residue from the lines.

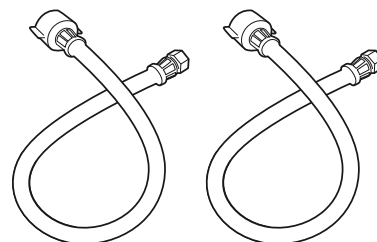


Fig. 13

CARTRIDGE REPLACEMENT

- Turn off the water supply to the faucet.
- Unscrew the handle lever (1). Loosen the set screw (2) with the hex key and remove the handle body (3).
- Gently unscrew the decorative cap (4) and retaining nut (5).
- Pull the cartridge (6) out of the faucet body (7) and replace it with a new ceramic cartridge. Ensure new cartridge is seated properly with the locating pins in appropriate place.
- Secure the cartridge in place using the retaining nut (5).
- Gently tighten the retaining nut (5) using a wrench. Do not overtighten.
- Reinstall the decorative cap (4). Slide the handle body (3) back onto the cartridge and make sure it rotates freely. Secure the handle body (3) in place using the set screw (2) and reinstall the handle lever (1).
- Turn the water supply to the faucet back on.
- Operate the faucet to make sure everything works correctly and check for leaks.

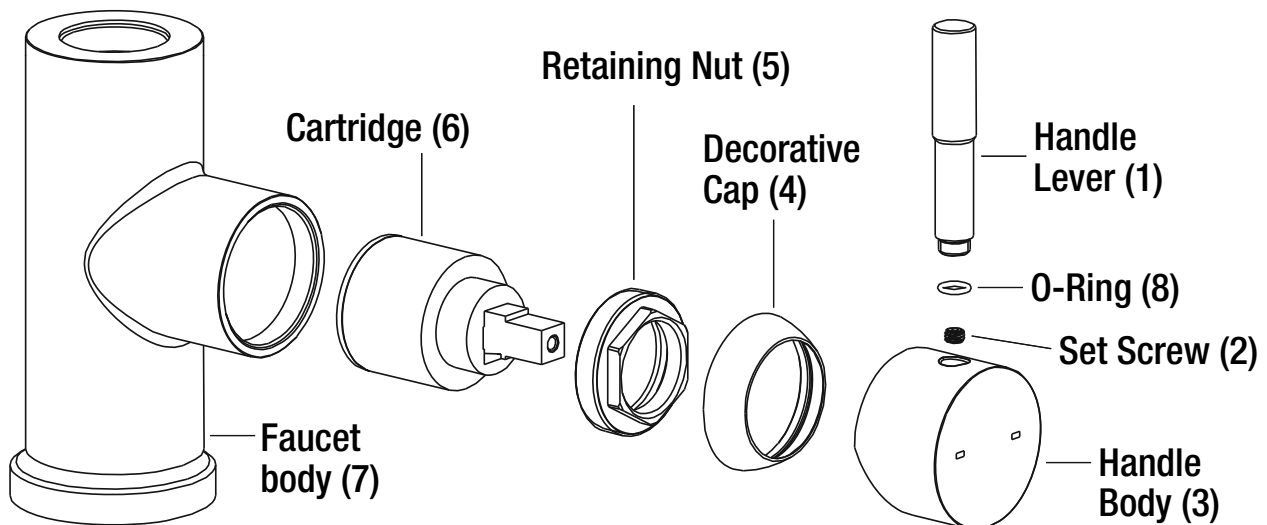


Fig. 14

Care and Cleaning

Your utility cabinet is manufactured with the highest grade materials and will provide you many years of enjoyment with the proper care.

ENGLISH

SINK

Do
<ul style="list-style-type: none">- After use, always rinse your sink with tap water to dilute and remove deposits.- Towel dry after use whenever possible to prevent water spots. Should water spots occur, clean with a mild solution of vinegar and water followed by a thorough rinse.- Use liquid soap, a general household cleaner, or a weak solution of vinegar and water for regular cleaning.- Only use plastic scouring pads recommended for use in stainless steel sinks, and only use them in the bowl of the sink. Scrub in the direction of the satin finish lines.
Do not
<ul style="list-style-type: none">- Do not allow any food, detergent, soap or grease to dry or sit for extended periods of time on the surface of the sink.- Never use abrasive cleaning products, as they will dull and scratch the finish.- Do not use scouring pads on the deck, as they will dull the finish.- Never use steel wool pads or leave steel/cast iron pans in your sink for extended periods of time, as they will leave iron particles on the sink, which can cause corrosion.- Never use chlorine-based cleaners in your new sink, they could lead to rust spots and discolouration. If you must use them, rinse sink thoroughly with fresh water immediately after use.- If any chemicals or glue make contact with the sink during installation, wipe clean and rinse thoroughly with fresh water.

CABINET

Do
<ul style="list-style-type: none">- Remove dust and dry dirt with a soft, damp cloth.- Clean grease, oil, paint and ink stains with isopropyl (rubbing alcohol). Immediately rinse with water after stain removal.
Do not
<ul style="list-style-type: none">- Do not allow your cabinet surface to come into contact with products such as acetone (nail polish remover), nail polish, dry cleaning solution, lacquer thinners, gasoline, pine oil, etc.- Use caution when using sharp instruments that may fall and scratch the surface.

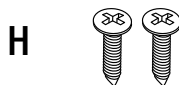
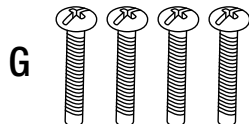
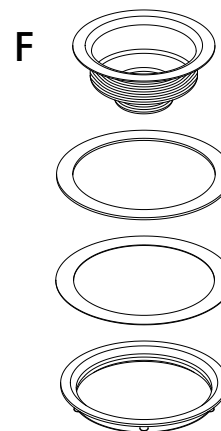
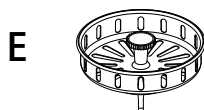
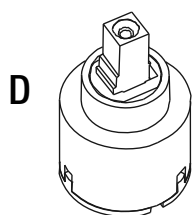
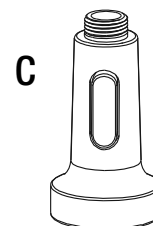
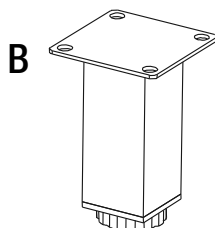
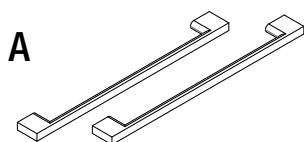
SCRATCH, SPOT, AND BLEMISH REMOVAL AND SURFACE RESTORATION:

Little rust spots and blemishes that periodically appear in the sink are typically the result of the steel interacting with the chemicals found in the vast spectrum of substances that sinks are commonly exposed to. They may also get transferred from other objects placed or left in the sink. Scratches are the result of regular wear and tear.

To remove scratches, spots, and blemishes from the sink, rub them with a non-metallic scouring pad (e.g. Scotch-Brite®) combined with a mild abrasive cleaner (e.g. Barkeeper's Friend®). Always rub the surfaces in the direction of the grain of the steel. When finished, rinse the sink with water and dry it with a towel to allow the sink to form a protective outer layer. This procedure can also be used to renew all of the surfaces of the sink.

Service Parts

If you are missing parts or if you require replacement parts, please contact our customer service team at cs@conglomkb.com or 1-877-333-0098 (Service available in English and French, Monday - Friday from 8:30am - 5pm EST). Identify the required part(s) and have the part number(s) ready.



Part	Description	Code	Quantity
A	Door Handles	QHL182	2
B	Cabinet Legs	QHL221B	4
C	Sprayer Head	QHL223	1
D	Ceramic Cartridge	QHL216	1
E	Strainer Basket	QHL177	1
F	Strainer Assembly	QHL176	1
G	Door Handle Screws	QHL104	4
H	Cabinet Leg Screws	QHL106	16

Table des matières

USER'S MANUAL	2	Installation du robinet	24
Consignes de sécurité	16	Installation de la crépine	25
Garantie		Installation de l'évier	26
Garantie limitée d'un an	17	Mise en place	26
Procédure de réclamation pour la garantie	17	Drainage	26
Préinstallation		Assemblage des tuyaux d'alimentation	26
Outils/matériaux requis	18	Entretien	
Pièces requises	18	Remplacement de la cartouche	27
Contenu de l'emballage	19	Soin et nettoyage	
Installation		Évier utilitaire	28
Préparation	20	Armoire	28
Assemblage de l'armoire	21	Pièces de rechange	29
Installation des portes	23	MANUAL DEL USARIO	30
Ajustement de la position des portes	23		

Consignes de sécurité

LIRE ET CONSERVER CES INSTRUCTIONS



AVERTISSEMENT : Toujours porter des lunettes et des gants de sécurité pendant l'installation afin d'éviter les blessures.

1. Une fois le produit déballé, vérifiez s'il y a des rayures, fissures, bosses ou éraflures. Si des dommages sont notés, ne pas installer.
2. Ce produit ne peut être utilisé autrement que pour l'usage prévu par le fabricant. Consulter le fabricant pour toutes questions concernant l'appareil.
3. Votre installation doit être conforme à tous les codes de bâtiment locaux pour la plomberie. Faites en sorte qu'un ouvrier qualifié effectue ou approuve votre installation de plomberie.
4. Protéger la surface lors de l'installation.

GARANTIE LIMITÉE D'UN AN

Inspecter minutieusement le produit avant l'installation et signaler tout dommage sans délai. Nous ne serons pas responsables des défaillances ou des dommages qui auraient dû être découverts ou évités par une inspection adéquate et des essais avant l'installation.

Conglom Inc. garantit ce produit contre tout défaut dans les matériaux ou la fabrication, pour une période d'un (1) an à compter de la date de l'achat. Une preuve d'achat (facture d'achat originale) du consommateur/acheteur original devra accompagner toute réclamation faite à Conglom Inc.

Cette garantie est non transférable et sera nulle si l'unité est enlevée de son installation initiale ou si elle n'est pas installée suivant les spécifications du fabricant. Elle ne s'applique pas dans l'éventualité de dommages causés au produit suite à l'utilisation de pièce(s) de rechange autre que les pièces originales Conglom Inc., (les pièces de rechange peuvent être obtenues en nous écrivant un courriel à cs@conglomkb.com ou en appelant au 1-877-333-0098 entre 8 h 30 et 17 h, H.N.E.) une erreur d'installation, l'abus, l'utilisation ou l'entretien incorrect et le service incorrect (qu'ils soient effectués par un plombier, un entrepreneur, une entreprise de service ou un membre de la famille de l'acheteur). La garantie exclut les dommages causés par des conditions agressives d'air ou d'eau, des nettoyeurs ou des matériaux rudes et/ou abrasifs.

Nous ne pouvons en aucun cas être tenus responsables pour toute blessure corporelle ou tout dommage matériel résultant d'une mauvaise installation ou utilisation de ce produit. Nous ne serons pas tenus responsables de l'incapacité d'utiliser cette unité, des inconvénients, des coûts encourus pour la main-d'oeuvre, des matériaux, de l'enlèvement et de l'installation des unités de remplacement ou d'aucun autre dommage causé par un incident ou accessoire. Les coûts encourus pour obtenir l'accès pour la réparation ou le remplacement sont la responsabilité de l'utilisateur.

Nos obligations se limitent à la réparation ou au remplacement de l'unité (selon notre discrétion) qui peut s'avérer, selon notre examen unique, être défectueuse sous l'utilisation et le service normaux pendant la période de garantie. Nous pouvons émettre un crédit au montant de la valeur de la facture du produit défectueux (ou d'un pourcentage de ce montant selon l'usure) tenant lieu de la réparation ou du remplacement.

Toute défectuosité de l'unité qui ne peut être liée à un défaut de matériel ou de fabrication n'est pas couverte par cette garantie. Ces conditions non garanties incluent, mais ne se limitent pas aux suivantes :

- Une mauvaise installation non conforme aux instructions du fabricant;
- Les bosselures, bosses et rayures causées pendant l'expédition, la manutention ou l'installation;
- Le changement de la couleur ou du fini en raison de l'usage d'un produit chimique;
- Les dommages causés par le non-respect des instructions de soin et de nettoyage, y compris les dommages causés par l'utilisation de produits nettoyeurs abrasifs;
- Toute modification apportée à l'unité par l'acheteur ou l'installateur;
- Les dommages en raison d'un impact accidentel, du feu, d'une inondation, du gel et de l'usure normale;
- Les courbures et les déformations provoquées par des raccordements forcés, des fixations trop serrées et un support inadéquat pendant l'installation.

PROCÉDURE DE RÉCLAMATION POUR LA GARANTIE

Si un défaut couvert par la garantie se produit ou que vous avez besoin des pièces de rechange, contacter notre service à la clientèle au cs@conglomkb.com ou au 1-877-333-0098 (service disponible en anglais et français du lundi au vendredi de 8 h 30 à 17 h, H.N.E.).

Avant d'appeler, veuillez-vous assurer d'avoir en main :

- Le numéro de modèle ou une description;
- La preuve d'achat;
- Les détails concernant le défaut et/ou le numéro de la pièce de rechange;
- Le nom et l'adresse du propriétaire et/ou de l'installateur.

Préinstallation

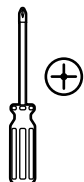
OUTILS/MATÉRIAUX REQUIS (NON INCLUS)



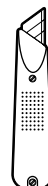
Clé



Pinces



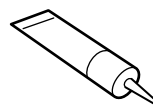
Tournevis
Phillips



Couteau
à lame
rétractable



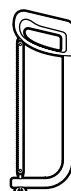
Clé à molette



Mastic



Niveau à bulle



Scie à métaux

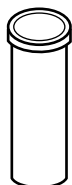


Gants de
sécurité



Lunettes de
sécurité

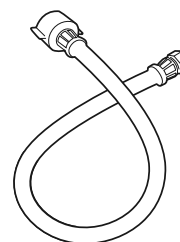
PIÈCES REQUISES (NON INCLUSES)



Tuyaux de
vidange



Siphon-P

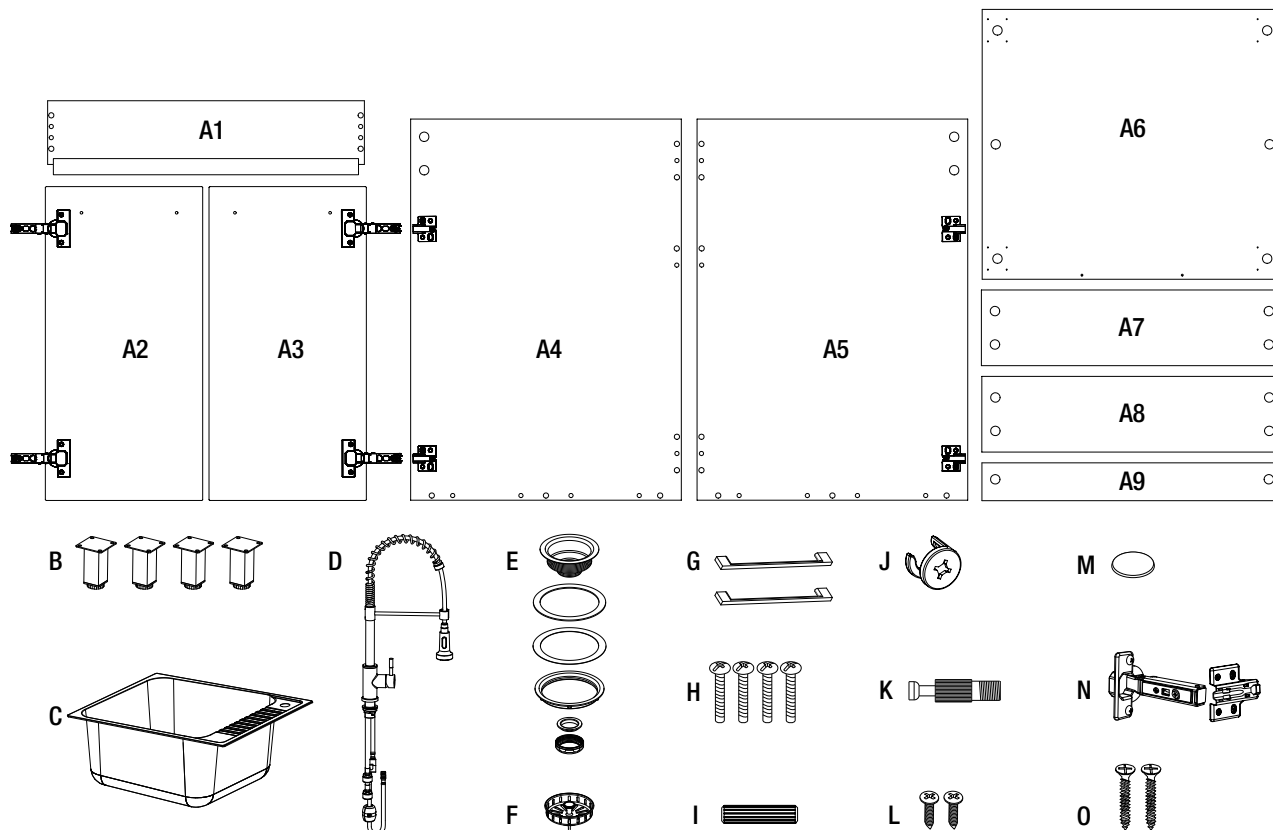


Tuyaux
d'alimentation

Préinstallation (suite)

CONTENU DE L'EMBALLAGE

Vérifier soigneusement que l'unité ne comporte aucun dommage ou pièces manquantes avant l'installation. Dans le cas de dommages ou de pièces manquantes, communiquer avec le service à la clientèle au cs@conglomkb.com ou 1-877-333-0098 (service en anglais et français, du lundi au vendredi, de 8 h 30 à 17 h, HE). Ne pas se débarrasser de l'emballage avant d'être satisfait de ce produit.



Pièce	Description	Quantité
A1	Panneau frontal	1
A2	Porte droite	1
A3	Porte gauche	1
A4	Panneau gauche	1
A5	Panneau droit	1
A6	Panneau du dessous	1
A7	Support de montage inférieur	1
A8	Support de montage supérieur	1
A9	Support de montage milieu	1
B	Pieds de l'armoire	4
C	Évier	1
D	Robinet	1

Pièce	Description	Quantité
E	Corps de la crépine	1
F	Crépine	1
G	Poignées de l'armoire	2
H	Vis des poignées	4
I	Goujons	18
J	Fixations à came	20
K	Goujons pour fixation à came	20
L	Vis des pieds de l'armoire	16
M	Butoirs de porte	4
N	Charnière de l'armoire (préinstallées)	4
O	Vis de support de montage inférieur	2

Installation

PRÉPARATION

- Déballez tous les composants et les placez sur une couverture ou un carton pour les protéger.
- Installez les goujons en bois (I) et les goujons pour fixation à came (K) aux emplacements appropriés sur tous les panneaux de l'armoire et de la base. Il est préférable d'installer les goujons (I) dans les bords des panneaux (A4) et (A8). Les goujons pour fixation à came doivent être installés dans les petits trous des faces plates des panneaux (A1), (A4) et (A5) de l'armoire, comme illustré ci-dessous.

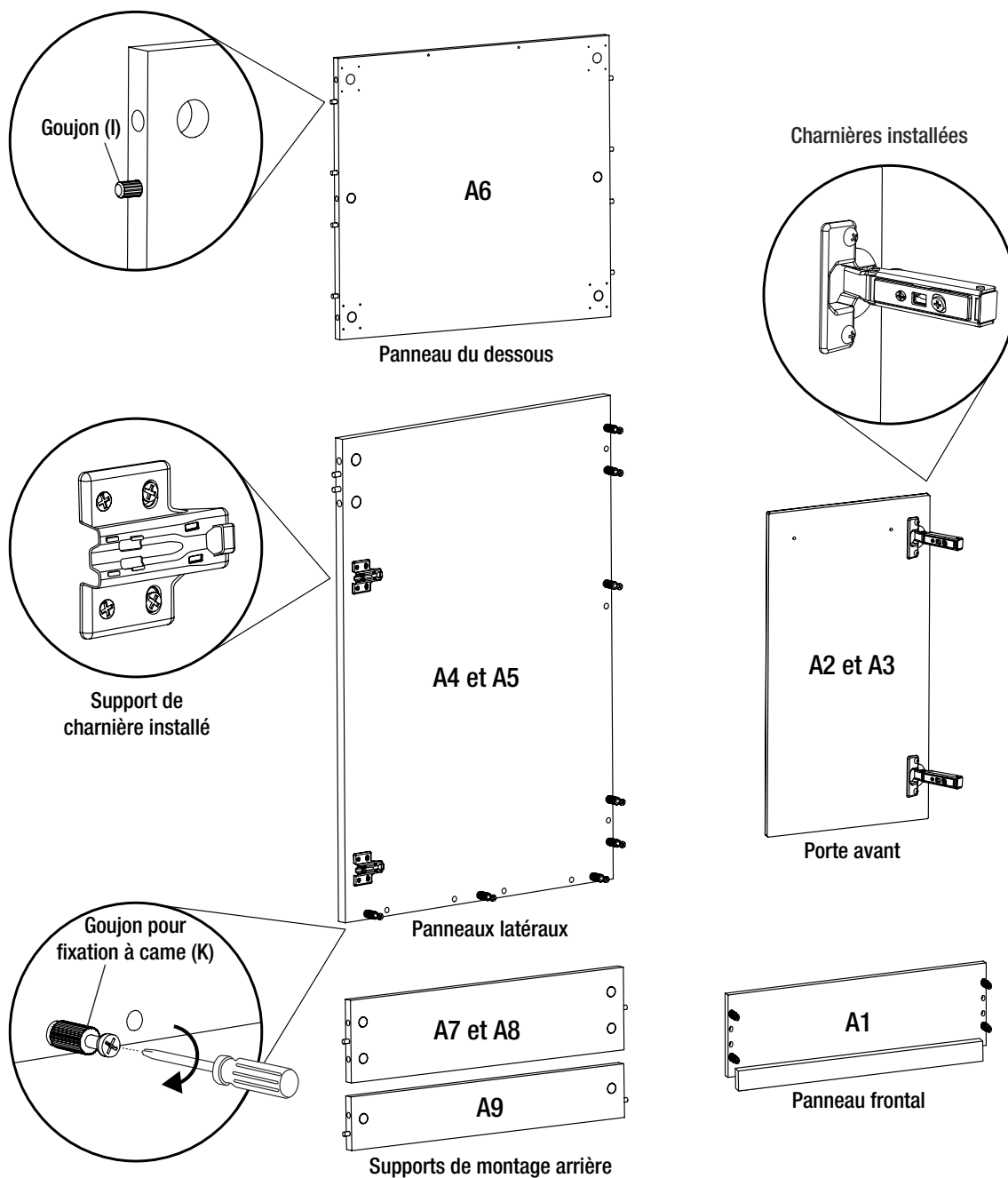


Fig. 1

ASSEMBLAGE DE L'ARMOIRE

- Assembler les panneaux A5 et A6 de la base de l'armoire ainsi que le support de montage inférieur A7, et les fixer ensemble à l'aide des fixations à came (J).

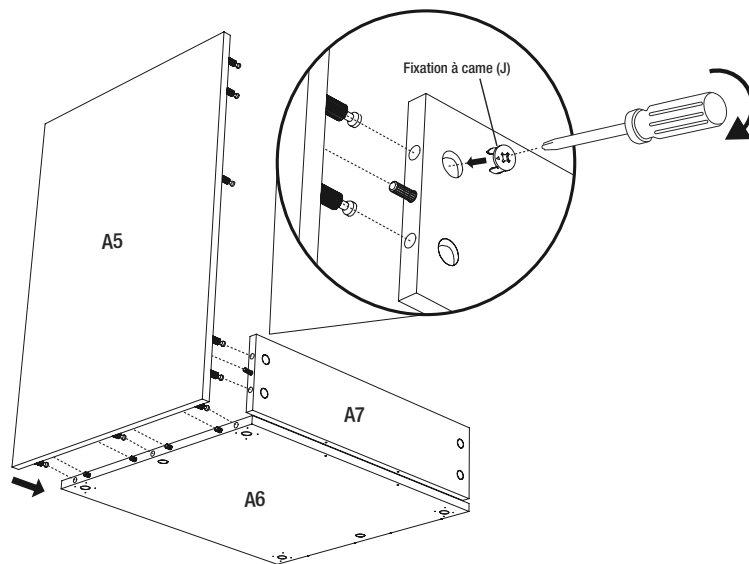


Fig. 2

- Assembler le panneau A4 restant de la base de l'armoire avec le support de montage supérieur A8 et A9, et les fixer ensemble à l'aide des fixations à came (J).

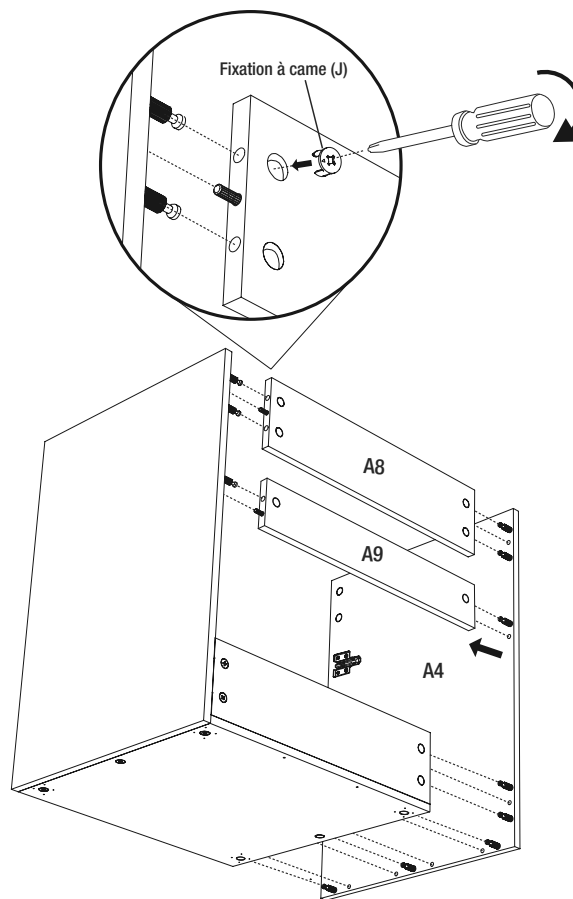


Fig.3

- Installer le panneau avant (A1) et le fixer avec des fixations à came (J).

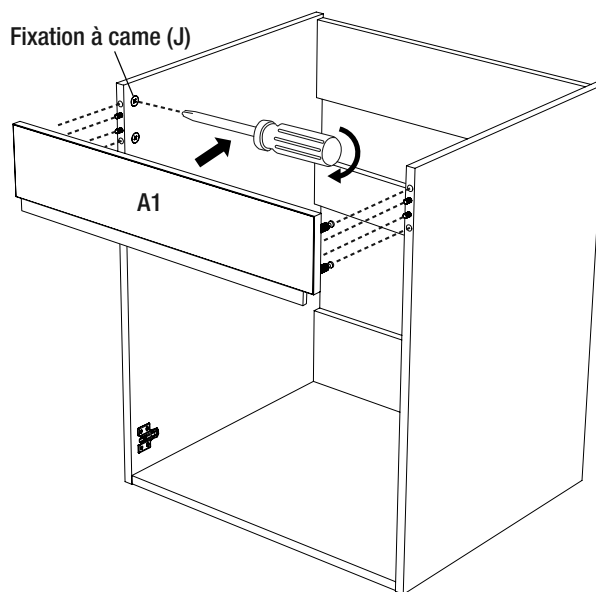


Fig.4

- Faire pivoter l'armoire et fixer le panneau inférieur (A6) au support de montage inférieur (A7) à l'aide des vis du support de montage inférieur (O).
- S'assurer que toutes les fixations à came (J) ont été fermement serrées dans tous les panneaux de l'armoire.
- Installer les pieds de l'armoire (B) à l'aide des vis des pieds de l'armoire (L).

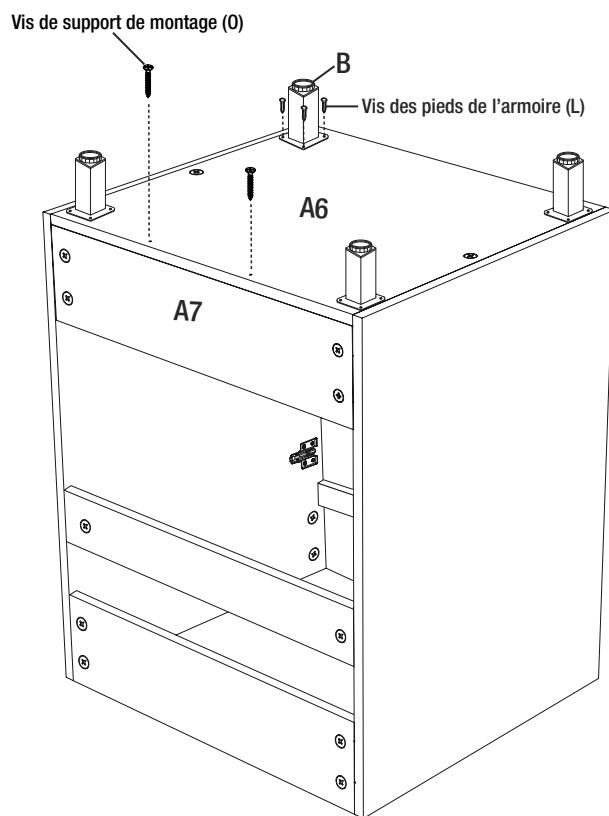


Fig.5

Installation (suite)

INSTALLATION DES PORTES



AVERTISSEMENT : Ne pas déposer et ne pas frapper les pieds de nivellement sur le côté, car ils pourraient se détacher ou se briser.

- Remettre l'armoire à l'endroit et installer les portes. Les charnières installées dans les portes sont conçues pour s'accrocher et s'encliqueter dans les plaques de charnière installées dans les panneaux latéraux de l'armoire.
- Il y aura un déclic lorsque les charnières seront correctement fixées.
- Insérer les vis des poignées de porte (H) dans les trous prépercés de chaque porte.
- Fixer les poignées de porte (G) et serrer les vis des poignées de porte (H).
- Enlever la pellicule protectrice et coller les butoirs de porte en caoutchouc (M) dans les coins inférieurs intérieurs des portes (optionnel).

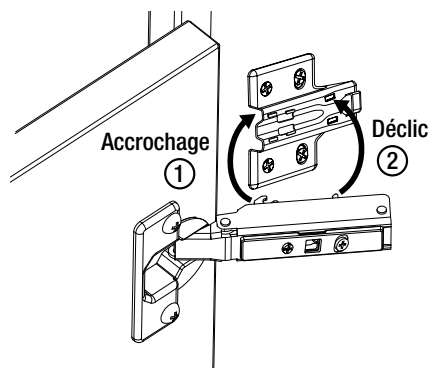


Fig. 6

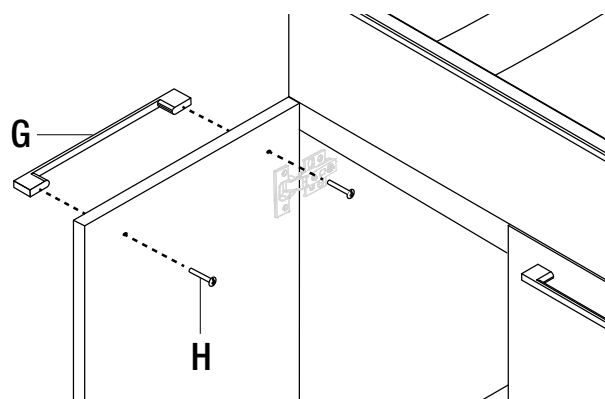
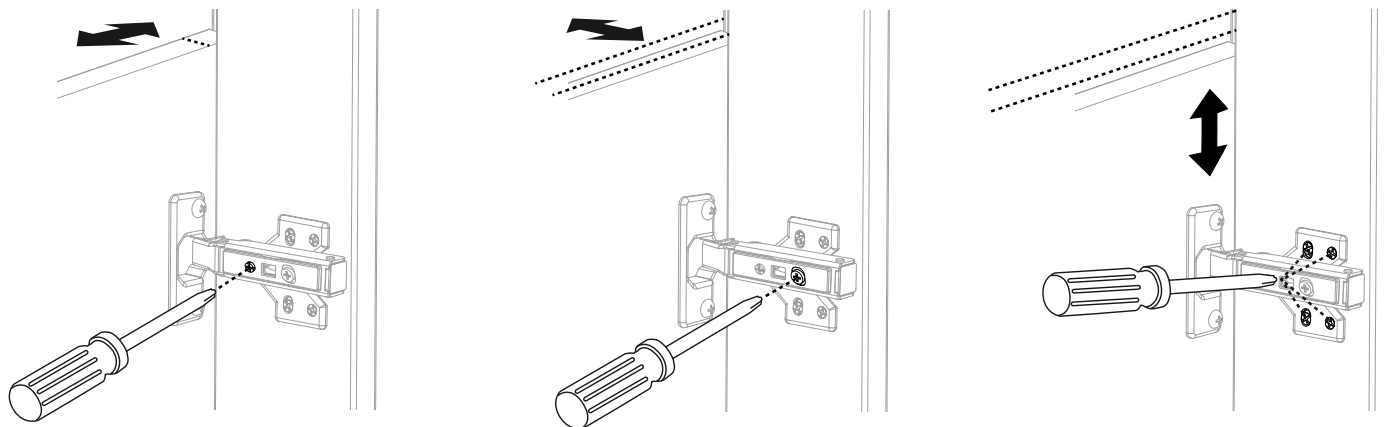


Fig. 7

AJUSTEMENT DE LA POSITION DES PORTES

- Si les portes doivent être repositionnées, les charnières peuvent être réglées de façon à s'adapter précisément avec l'armoire.



- La vis de réglage latéral permet de replacer la porte vers la gauche ou vers la droite.
- La vis de réglage horizontal permet de replacer la porte vers l'avant ou vers l'arrière.
- Les vis de réglage vertical permettent de replacer la porte vers le haut ou vers le bas. Desserrer les vis, régler la hauteur et resserrer les vis. Les deux vis les plus proches de la porte peuvent être retirées.

Fig. 8

Installation (suite)

INSTALLATION DU ROBINET

- Fixer la tête de la douche (1) au raccord de la douche (2).
- Retirer le joint (3), la rondelle métallique (4) et l'écrou de serrage (5) de la tige de montage du robinet.
- Insérer le tuyau souple du robinet et la tige de montage dans l'orifice pour le robinet dans l'évier et déposer le robinet sur l'évier.
- Par en dessous, utiliser le joint (3), la rondelle métallique (4) et l'écrou de serrage (5) pour fixer le robinet à l'évier.
- Serrer l'écrou de serrage (5) à la main jusqu'à ce qu'il soit bien fixé. Utiliser une clé pour serrer. Serrer délicatement les deux vis sur l'écrou de serrage. Ne pas trop serrer.
- Raccorder la sortie d'eau principale (6) au tuyau de la douche (9) à l'aide du raccord rapide (7), comme illustré. – Fixer le raccord rapide mâle (8) au raccord rapide femelle (7) et s'assurer qu'il est bien en place. Tirer légèrement sur les raccords rapides pour vérifier la solidité du raccordement.
- Faire rentrer complètement le tuyau de la douche (9). Installer le contrepois (10) à environ 50 mm (2 po) du bas du tuyau, du côté le plus proche du bec de la douche (1). Il ne doit pas y avoir de jeu dans le tuyau souple; il doit se mouvoir librement.
- Fixer les tuyaux d'alimentation (non fournis) aux raccords d'entrée du robinet et les serrer à la main. Utiliser deux clés pour serrer les deux extrémités ensemble.

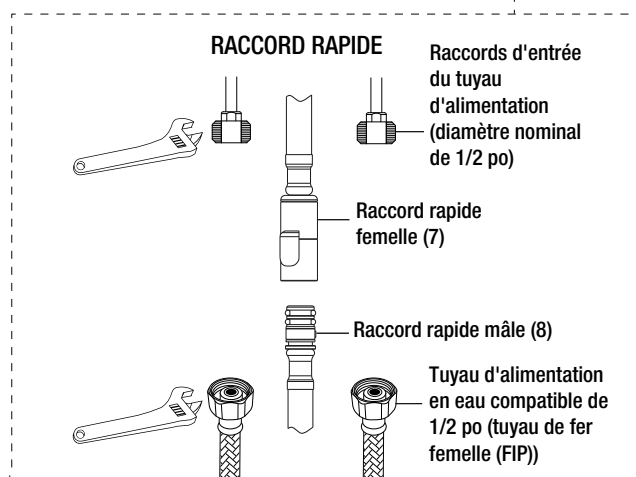
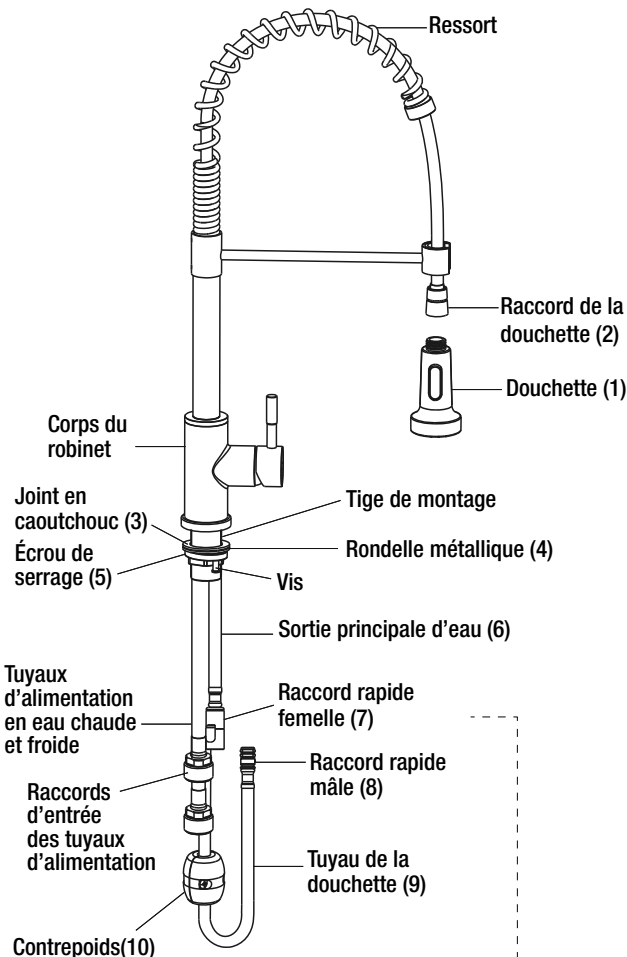


Fig. 9

REMARQUE : Le robinet risque d'être endommagé si deux clés ne sont pas utilisées, et la garantie sera annulée. Ne pas trop serrer. Il est recommandé de demander à une deuxième personne de tenir le robinet en place pendant le serrage des écrous de montage. Veiller à ce qu'aucun des tuyaux d'alimentation ne soit plié pendant l'installation.

Installation (suite)

INSTALLATION DE LA CRÉPINE

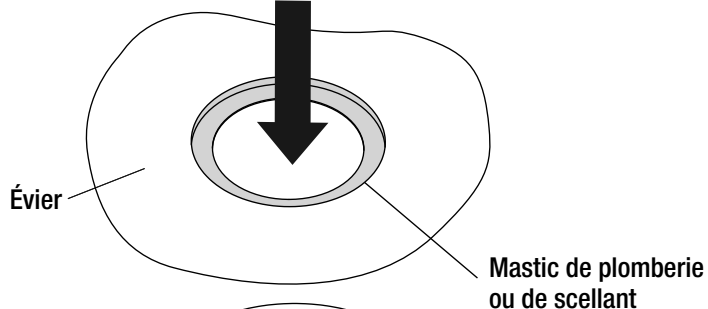
- Appliquer une bague d'étanchéité en mastic de plomberie ou scellant en dessous de la bride du corps de la crépine.



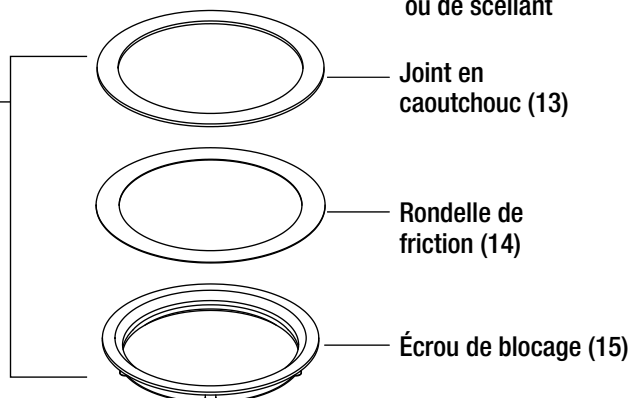
- Insérer le corps de la crépine (12) dans l'orifice d'évacuation et presser pour bien l'assoir sur la surface.



- Sous l'évier, assembler le joint en caoutchouc (13), la rondelle de friction (14) et l'écrou de blocage (15) sur le corps de la crépine (12). Serrer l'écrou de blocage de la crépine à la main jusqu'à ce qu'il soit bien serré. Ne pas trop serrer.



- Insérer la bride en plastique (16) dans l'extrémité à bride du tuyau de vidange (17) (non fourni), puis fixer le tuyau de vidange au corps de la crépine à l'aide de l'écrou de raccord (18). Serrer l'écrou de raccord (18) jusqu'à ce qu'il soit bien serré. Ne pas trop serrer.



- Enlever l'excédent de mastic autour de l'orifice d'évacuation.

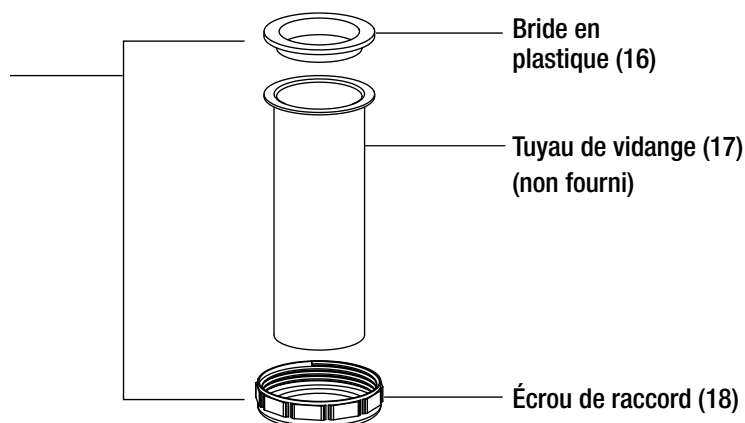


Fig. 10

Installation (suite)

INSTALLATION DE L'ÉVIER

- Appliquer soigneusement un peu de mastic autour du dessus de l'armoire (A).
- Insérer l'évier (C) dans l'armoire (A). S'assurer qu'il est placé uniformément et centré sur l'armoire (A). Essuyer tout résidu de produit d'étanchéité. Utiliser du ruban-cache pour tenir l'évier (C) en place jusqu'à ce que le mastic soit sec.

MISE EN PLACE

- Pousser l'armoire (A) contre le mur. Au besoin, mettre l'armoire à niveau en ajustant les quatre pattes de nivellement et en vérifiant l'alignement de l'évier (C) à l'aide d'un niveau de menuisier.
- Veuillez noter que les pattes de nivellement sont destinées à la mise à niveau de l'armoire et non aux réglages de sa hauteur. Il n'est pas recommandé d'allonger les pattes de nivellement au-delà de 0,4 po (10 mm). Une extension excessive des pattes de nivellement peut rendre l'armoire d'évier instable.

REMARQUE IMPORTANTE : En raison de la taille et du poids de ce produit, celui-ci doit être fermement fixé au mur avec la quincaillerie de fixation appropriée au type de mur.

Dans le cas de cloisons sèches ou de murs de plâtre, le produit doit être fixé à un montant mural en bois. Veuillez consulter un installateur qualifié si nécessaire. L'omission de le faire pourrait entraîner des dommages matériel ou des blessures.

Utiliser du mastic à base de silicone pour sceller l'évier au mur et à toute surface adjacente pour garder ces surfaces sèches. L'omission de le faire pourrait entraîner des dommages causés par l'humidité.

DRAINAGE

- Le tuyau de vidange (non fourni) installé précédemment dans l'orifice d'évacuation peut maintenant être raccordé à la plomberie domestique. Dans certains cas, la plomberie devra être modifiée pour assurer un drainage adéquat. Si c'est le cas, consulter un plombier accrédité pour effectuer les modifications nécessaires.

TUYAUX D'ALIMENTATION (NON INCLUS)

- Brancher les tuyaux d'alimentation à l'alimentation en eau du domicile conformément aux instructions du fabricant.
- Ouvrir les robinets d'alimentation en eau chaude et froide puis faire couler l'eau pour vérifier l'installation (tuyau d'eau chaude branché au bon endroit). Vérifier s'il y a des fuites. Faire couler de l'eau chaude et froide sans interruption pendant environ une minute pour éliminer tout résidu des tuyaux.

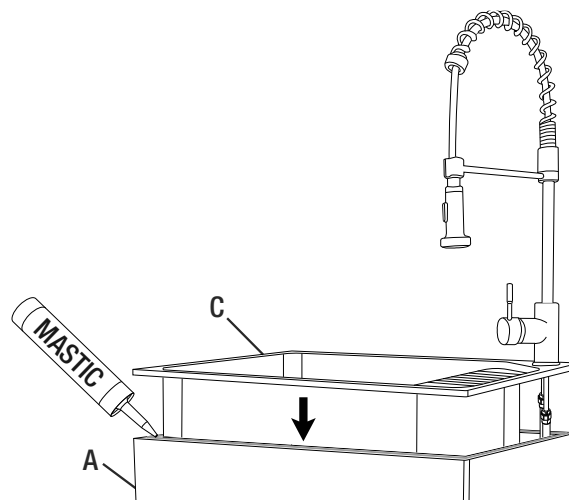
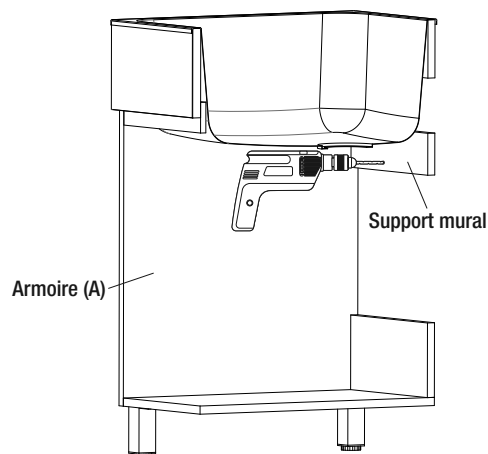


Fig. 11



Coupe transversale de l'armoire
Certaines composantes ont été retirées pour plus de clarté

Fig. 12

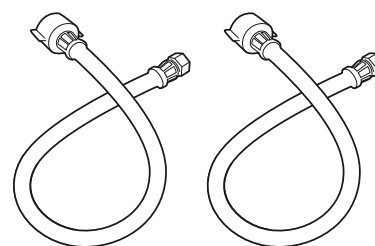


Fig. 13

REPLACEMENT DE LA CARTOUCHE

- Couper l'alimentation en eau du robinet
- Dévisser le levier de la poignée (1). Desserrer la vis de blocage (2) à l'aide de la clé hexagonale fournie et retirer la poignée (3).
- Dévisser doucement la bague décorative (4) et l'écrou de serrage (5).
- Retirer la cartouche (6) du corps du robinet (7) et la remplacer par une nouvelle cartouche en céramique. Veiller à ce que la nouvelle cartouche soit correctement installée et que les broches d'alignement soient à l'endroit approprié.
- Fixer la cartouche en place à l'aide de l'écrou de serrage (5).
- Serrer doucement l'écrou de serrage (5) à l'aide d'une clé. Ne pas trop serrer.
- Réinstaller la bague décorative (4). Faire glisser la poignée (3) sur la cartouche et vérifier si elle tourne librement. Fixer la poignée (3) en place à l'aide de la vis de blocage (2), puis réinstaller le levier de la poignée (1).
- Rebrancher l'alimentation en eau du robinet.
- Actionner le robinet pour en vérifier le bon fonctionnement et vérifier s'il y a des fuites.

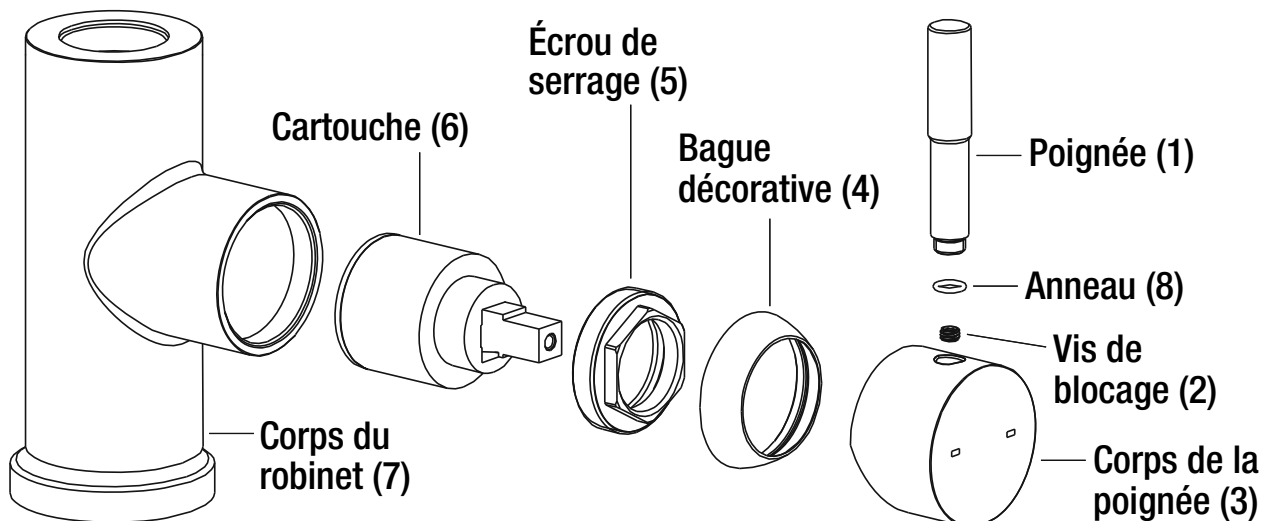


Fig. 14

Soin et nettoyage

Votre évier est fabriqué avec de l'acier inoxydable de la plus haute qualité. Moyennant l'apport des soins appropriés il vous fournira un excellent rendement pendant plusieurs années.

ÉVIER UTILITAIRE

À faire

- Après l'utilisation, toujours rincer votre évier avec de l'eau de robinet pour diluer et enlever les dépôts.
- Si possible, sécher à la serviette après toute utilisation pour éviter les traces d'eau. Si les traces d'eau se produisent, nettoyer avec une solution douce de vinaigre et d'eau suivie d'un bon rinçage.
- Employer du savon liquide, un produit nettoyant de ménage général, ou une faible solution de vinaigre et d'eau pour le nettoyage régulier.
- N'utiliser que des tampons à récurer en plastique recommandés pour une utilisation dans les éviers en acier inoxydable, et ne les utiliser que dans la cuve de l'évier. Frotter dans la direction des lignes du fini satiné.

À ne pas faire

- Éviter de laisser sécher ou reposer sur la surface de l'évier tout résidu de nourriture, de détergent, de savon, de graisse ou de condiment pendant des périodes prolongées.
- Ne jamais employer des produits abrasifs car ils peuvent ternir et rayer le fini.
- Ne pas utiliser des tampons à récurer dans l'évier car ils peuvent ternir le poli.
- Ne jamais utiliser des tampons de laine d'acier car ils laissent des particules de fer sur l'évier et mènent à la corrosion.
- Ne jamais laisser des casseroles en acier ou en fonte dans votre évier pendant des périodes prolongées car elles mènent à la corrosion.
- Ne jamais utiliser de nettoyeurs à base de chlore avec votre nouvel évier, ceci pourrait causer l'apparition de taches de rouille ainsi que sa décoloration. Si vous devez utiliser de tels produits nettoyants, rincer vigoureusement avec de l'eau froide immédiatement après leur utilisation. Si d'autres produits chimiques ou de la colle entrent en contact avec la surface de l'évier, essuyer et rincer vigoureusement avec de l'eau froide.

ARMOIRE

À faire

- Éliminer la poussière et la saleté sèche avec un linge doux et humide.
- Nettoyer les taches de graisse, d'huile, de peinture et d'encre avec de l'alcool à friction. Après avoir enlevé la tache, rincer immédiatement avec de l'eau.

À ne pas faire

- Éviter que la surface de votre armoire entre en contact avec des produits tels l'acétone (dissolvant pour vernis à ongles), le vernis à ongles, la solution pour nettoyage à sec, le solvant à laque, la gazoline, l'huile de pin, etc.
- Éviter d'utiliser une lame de rasoir ou tout autre instrument coupant qui pourrait égratigner la surface.

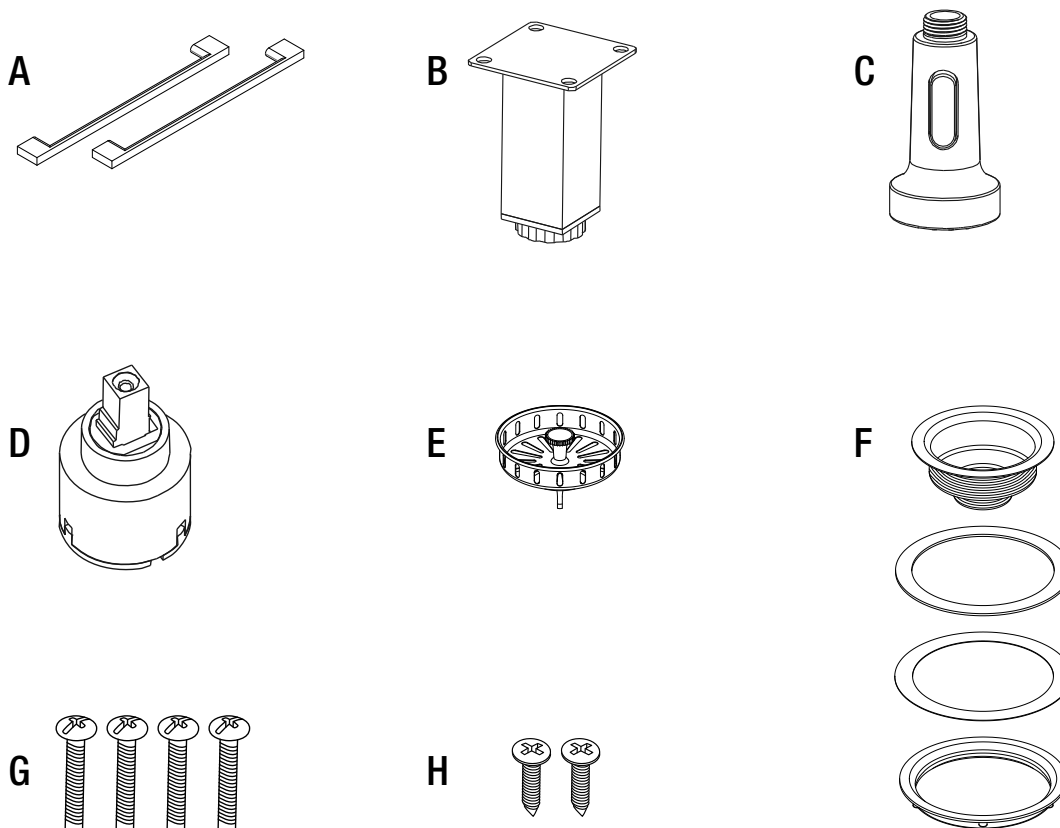
ÉLIMINATION DES RAYURES, TACHES ET IMPERFECTIONS, ET RESTAURATION DES SURFACES :

Les petites taches de rouille qui apparaissent régulièrement dans l'évier sont habituellement causées par l'interaction de l'acier avec les produits chimiques qui se trouvent dans de nombreuses substances auxquelles les éviers sont couramment exposés. Elles peuvent également apparaître lorsque d'autres objets sont placés ou laissés dans l'évier. Les rayures, quant à elles, sont causées par l'usure normale.

Pour enlever les rayures et les taches dans l'évier, les frotter à l'aide d'un tampon à récurer non métallique (p. ex., Scotch-Brite^{MD}) et d'un nettoyant légèrement abrasif (p. ex., Vim^{MD} ou Barkeeper's Friend^{MD}). Toujours frotter les surfaces dans le sens du grain de l'acier. Lorsque vous avez terminé, rincer l'évier avec de l'eau et l'essuyer à l'aide d'une serviette pour permettre qu'une couche externe protectrice se forme. Vous pouvez également utiliser cette procédure pour redonner à toutes les surfaces de l'évier leur éclat.

Pièces de rechange

Si des pièces sont manquantes ou vous avez besoin de pièces de rechange, veuillez nous contacter au cs@conglomkb.com ou 1-877-333-0098 (service disponible en anglais et français, de lundi au vendredi, 8 h 30 à 17 h, H.N.E.). Veuillez identifier les pièces nécessaires et ayez les codes à portée de main.



Pièce	Description	Code	Quantité
A	Poignées	QHL182	2
B	Pieds de l'armoire	QHL221B	4
C	Douchette	QHL223	1
D	Cartouche	QHL216	1
E	Crépine	QHL177	1
F	Corps de la crépine	QHL176	1
G	Vis des poignées	QHL104	4
H	Vis des pieds de l'armoire	QHL106	16

Índice

USER'S MANUAL	2	Instalación de la puerta	37
MANUEL DE L'UTILISATEUR	16	Ajuste de la posición de las puertas	37
Información de seguridad	30	Instalación del grifo	38
Garantía		Instalar el colador	39
Un año de garantía limitada	31	Instalar el fregadero	40
Procedimiento de reclamación de garantía	31	Colocación	40
Preinstalación		Drenaje	40
Herramientas/materiales requeridos	32	Líneas de abastecimiento	40
Piezas necesarias	32	Mantenimiento	
Contenido del paquete	33	Reemplazo del cartucho	41
Instalación		Cuidado y limpieza	
Preparación	34	Fregadero de servicio	42
Ensamblaje del armario	35	Armario	42
		Piezas de repuesto	43

Información de seguridad

LEA Y GUARDE ESTAS INSTRUCCIONES



PRECAUCIÓN: Use guantes y gafas de seguridad en todo momento para evitar lesiones personales.

1. Examine la unidad antes de proceder. Verifique si la superficie presenta defectos o daños, abolladuras, curvaturas, golpes o marcas por rozaduras. Si observa algún daño, no le instale.
2. Utilice esta unidad exclusivamente de la manera concebida por el fabricante; si tiene preguntas, comuníquese con el fabricante.
3. El trabajo de instalación y de plomería deben ser hechos por personas calificadas de acuerdo con todos los códigos y normas aplicables, e incluye una construcción calificada a prueba de incendio.
4. Proteja la superficie total del producto durante la instalación para evitar daños.

UN AÑO DE GARANTÍA LIMITADA

Debe realizarse una inspección a conciencia antes de la instalación, y cualquier daño debe reportarse inmediatamente. No nos hacemos responsables por fallos o daños que pudieran haberse descubierto o evitado con una inspección y pruebas adecuadas antes de la instalación.

Conglom Inc. garantiza este producto contra defectos en materiales y de fabricación durante 1 (un) año a partir de la fecha de compra. Es necesario que el comprador original entregue a Conglom Inc. el comprobante de compra (recibo original) para todos los reclamos relacionados con la garantía.

Esta garantía no es transferible y será anulada si la unidad se quita del lugar donde se instaló inicialmente o si no se instala de acuerdo con las instrucciones del fabricante. La garantía no se aplica en caso de daños en el producto debidos al uso de piezas distintas a los repuestos originales de Conglom Inc. (las piezas de repuesto se pueden obtener enviando un correo electrónico a cs@conglomkb.com o llamando al **1-877-333-0098** entre las 8:30 a. m. y 5:00 p. m., hora del Este), a los errores de instalación, el maltrato, uso indebido y cuidado y mantenimiento inapropiados (sin importar si lo realiza un plomero, contratista, proveedor de servicios o familiar del comprador). La garantía no incluye los daños debidos a condiciones agresivas del aire o el agua, ni al uso de limpiadores o materiales fuertes o abrasivos.

Bajo ninguna circunstancia seremos responsables de lesiones físicas o daños a la propiedad que sean consecuencia de una instalación o uso inapropiados de este producto. No seremos responsables por inconvenientes ocasionados por pérdida de uso de este producto, costos incurridos en mano de obra o materiales, retiro e instalación de unidades de reemplazo, ni ningún otro daño incidental o consecuente. Los costos relacionados con la obtención de acceso para la reparación o el reemplazo son responsabilidad del usuario.

Nuestra obligación se limita a la reparación o reemplazo de una unidad (a nuestra discreción) cuando pueda comprobarse, únicamente al examinarla nosotros, que tiene defectos en circunstancias de uso y servicio normal durante el periodo de garantía.

Cualquier fallo de este producto que no sea identificable como un defecto en materiales o de fabricación no estará cubierto por esta garantía. Los aspectos que no se pueden garantizar incluyen, entre otros:

- Instalación indebida sin seguir las instrucciones del fabricante.
- Abolladuras y/o rayones ocasionados durante el transporte, el manejo o la instalación.
- Cambio en el color o acabado debido al uso de productos químicos.
- Daños ocasionados por no seguir las pautas de cuidado y limpieza, incluyendo daños ocasionados por el uso de limpiadores abrasivos.
- Alteraciones hechas a la unidad por parte del comprador o instalador.
- Daños ocasionados por golpes accidentales, incendios, inundaciones, congelamiento y por el desgaste normal.
- Dobleces y deformaciones causados por conexiones forzadas, accesorios demasiado apretados y soporte inadecuado durante la instalación.

PROCEDIMIENTO DE RECLAMACIÓN DE GARANTÍA

Si ocurre un defecto por el que se pueda presentar una reclamación o si se necesitan repuestos, comuníquese con nuestro equipo de servicio al cliente vía cs@conglomkb.com o llamando al teléfono **1-877-333-0098** (de lunes a viernes, de 8:30 a. m. a 5:00 p. m., hora del Este; servicio disponible en inglés y francés).

Antes de llamar para presentar una reclamación, asegúrese de tener a la mano:

- El número o la descripción del modelo.
- El comprobante de compra.
- Los detalles del defecto y/o el número de pieza.
- Nombre(s) y domicilio(s) del propietario o el instalador.

Preinstalación

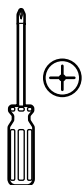
HERRAMIENTAS/MATERIALES REQUERIDOS (NO INCLUIDOS)



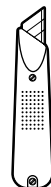
Llaves



Alicates



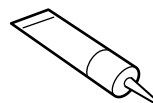
Desarmador en cruz



Cuchillo de uso general



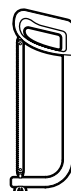
Llave de tubos



Sellador de silicona



Nivel de carpintero



Sierra de mano



Guantes de seguridad



Gafas de seguridad

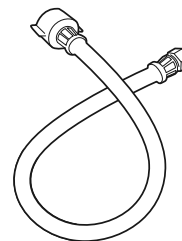
PIEZAS NECESARIAS (NO INCLUIDAS)



Tubo de vaciado



Sifón P

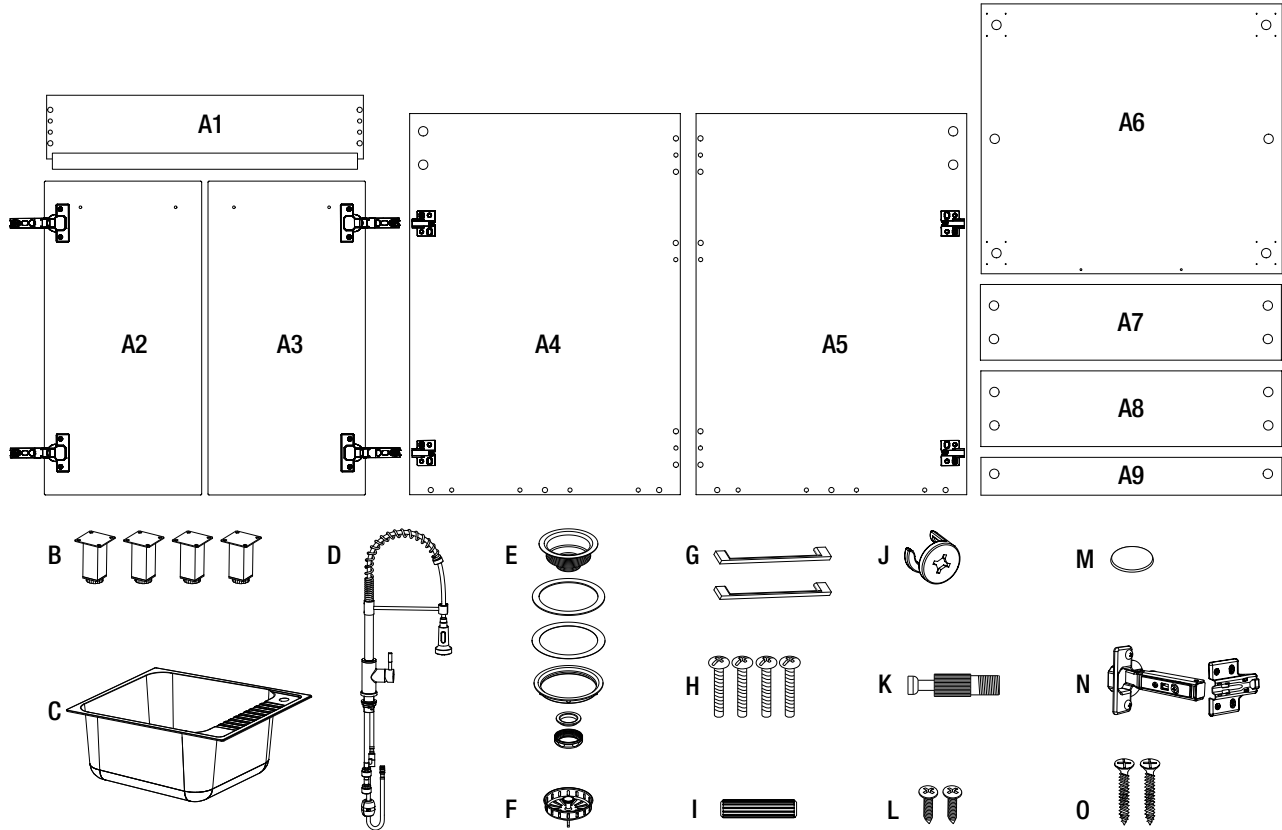


Tubo de alimentación

Preinstalación (continuación)

CONTENIDO DEL PAQUETE

Antes de llevar a cabo la instalación, verifique cuidadosamente que la unidad no presente ningún daño ni que falten piezas. En caso de que la unidad esté dañada o falten piezas, comuníquese con el departamento de servicio al cliente vía cs@conglomkb.com o al **1-877-333-0098** (servicio en inglés y francés, de lunes a viernes, de 8:30 a.m. A 5 p.m., hora del Este). No tire el embalaje hasta que quede satisfecho con el producto.



Pieza	Descripción	Cantidad
A1	Panel delantero	1
A2	Puerta derecha	1
A3	Puerta izquierda	1
A4	Panel lateral izquierdo	1
A5	Panel lateral derecho	1
A6	Panel inferior	1
A7	Soporte inferior	1
A8	Soporte superior	1
A9	Soporte medio	1
B	Postes de las patas	4
C	Fregadero	1
D	Grifo	1

Pieza	Descripción	Cantidad
E	Conjunto de colador	1
F	Colador	1
G	Manijas de las puertas	2
H	Tornillos de las manijas	4
I	Clavijas	18
J	Seguro de leva	20
K	Clavija del seguro de leva	20
L	Tornillos de las patas del armario	16
M	Parachoques	4
N	Bisagra de puerta (sujeta a las puertas)	4
O	Tornillos del soporte inferior	2

Installation

PREPARACIÓN

- Desempaque todos los componentes y colóquelos sobre una cobija o cartón para protegerlos.
- Instale las clavijas de madera (I) y los seguros de leva (K) en sus ubicaciones correspondientes en todos los paneles del armario y la base. Es mejor instalar las clavijas (I) en los bordes de los paneles (A4) y (A8). Las clavijas del seguro de leva se deben instalar en los orificios pequeños de las caras planas de los paneles (A1), (A4) y (A5) del armario como se muestra a continuación.

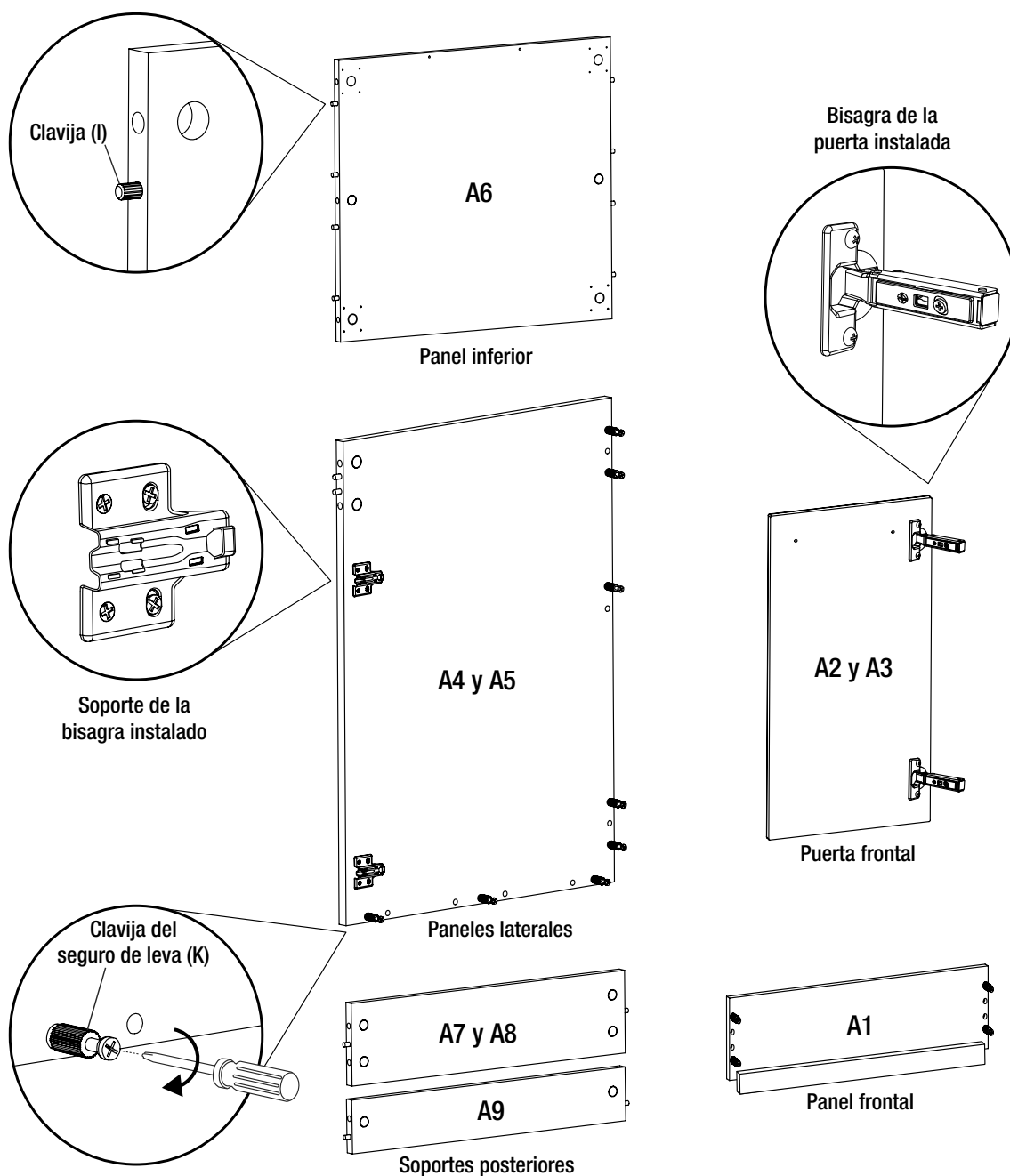
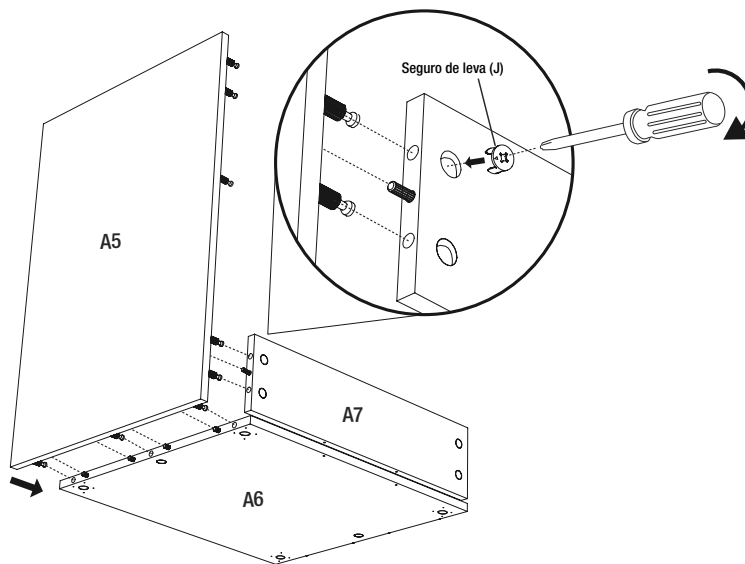


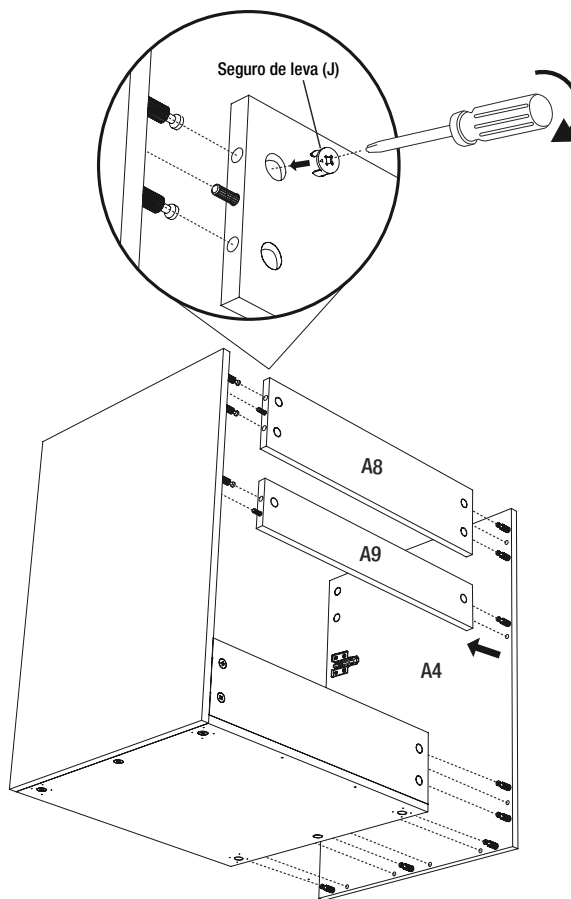
Fig. 1

ENSAMBLAJE DEL ARMARIO

- Ensamble los paneles de la base del armario A5, A6, junto con el soporte inferior A7 y asegúrelos usando los seguros de leva (J).



- Ensamble el panel A4 restante de la base del armario junto con el soporte superior A8 y A9, y asegúrelos usando los seguros de leva (J).



- Instale el panel frontal (A1) y asegúrelo con los seguros de leva (J).

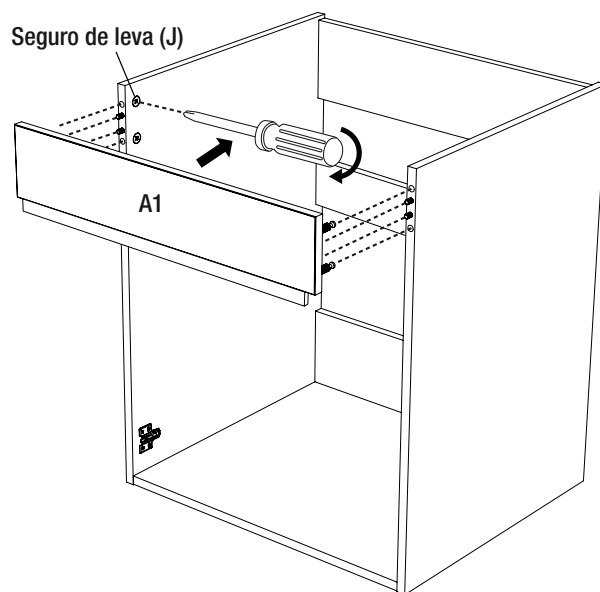


Fig.4

- Gire el armario y asegure el panel inferior (A6) al soporte inferior (A7) con los tornillos del soporte inferior (O).
- Asegúrese de que todos los seguros de leva (J) estén bien apretados en todos los paneles del armario.
- Instale las patas del armario (B) con los tornillos de las patas (L).

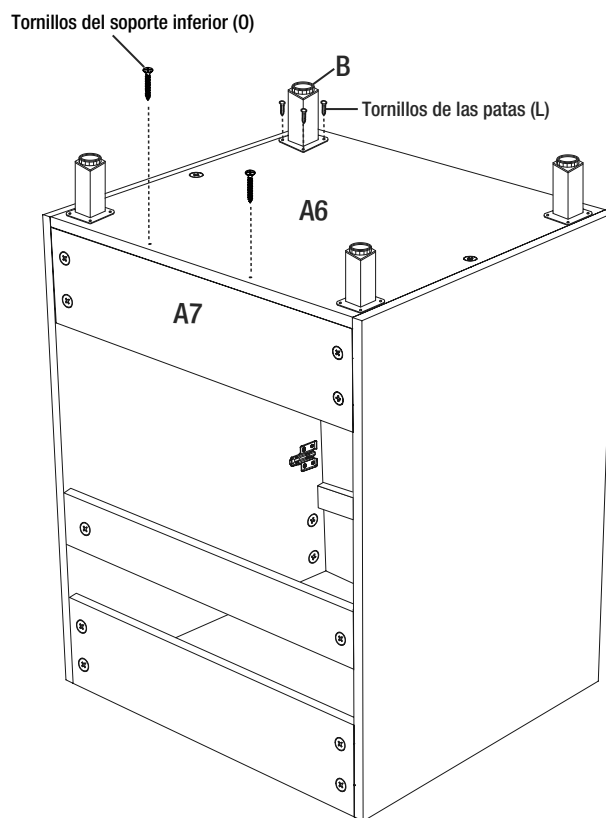


Fig.5

Instalación (continuación)

INSTALACIÓN DE LA PUERTA



PRECAUCIÓN: No descance ni golpee el costado de las patas niveladoras, ya que pueden desprenderse o romperse.

- Gire el armario con el lado derecho hacia arriba e instale las puertas. Las bisagras instaladas en las puertas están diseñadas para engancharse y hacer clic en las placas de bisagra instaladas en los paneles laterales del armario.
- Escuchará un sonido de clic cuando las bisagras estén correctamente acopladas a las placas de las bisagras.

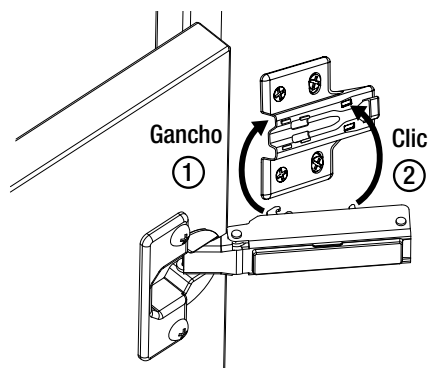


Fig. 6

- Inserte los tornillos de la manija de la puerta (H) en los orificios previamente perforados de cada puerta.
- Coloque las manijas de la puerta (G) y apriete los tornillos correspondientes (H).
- Pelar y pegar los parachoques de goma de las puertas (M) en las esquinas interiores inferiores de las puertas (opcional).

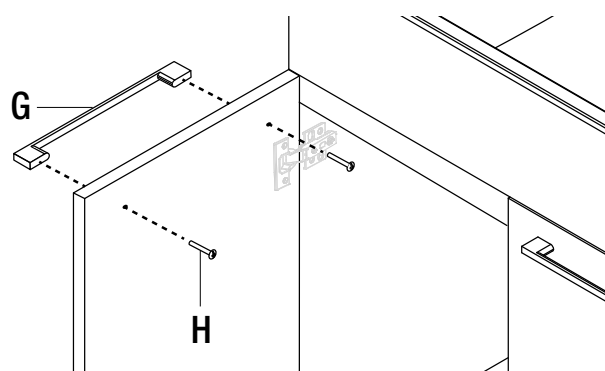
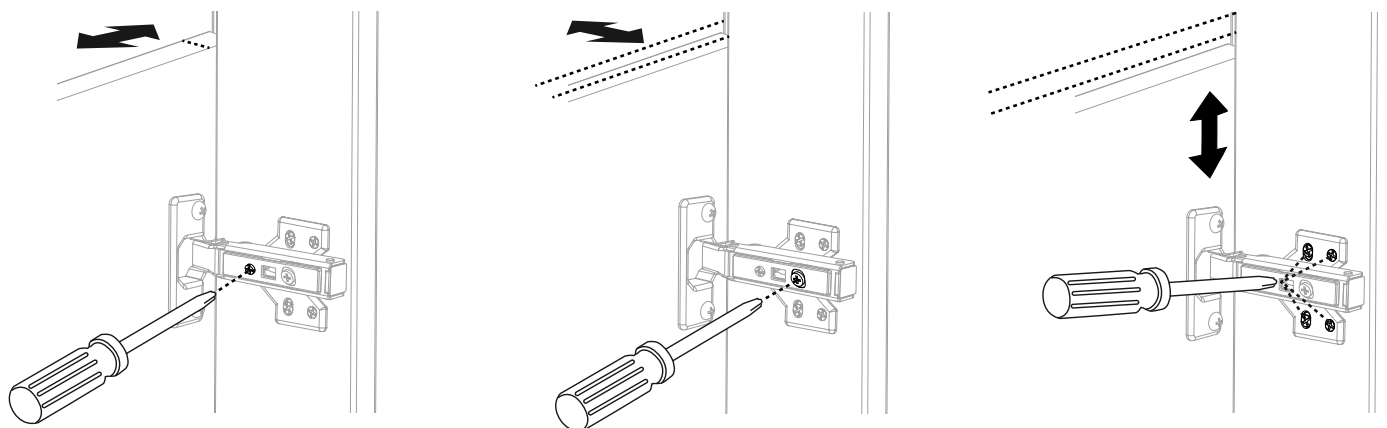


Fig. 7

AJUSTE DE LA POSICIÓN DE LA PUERTA

- Si necesita volver a colocar las puertas, puede ajustar las bisagras para asegurar que éstas embonen con el armario.



- El tornillo de ajuste lateral ajusta la orientación de la puerta hacia la izquierda y a la derecha.

- El tornillo de ajuste horizontal ajusta la orientación de la puerta hacia adelante y hacia atrás.

- Los tornillos de ajuste vertical ajustan la orientación de la puerta hacia arriba y hacia abajo. Afloje los tornillos, ajuste la altura y vuelva a apretarlos. Puede quitar los dos tornillos más cercanos a la puerta.

Fig. 8

Instalación (continuación)

INSTALACIÓN DEL GRIFO

- Fije el cabezal de la regadera (1) a su empalme (2).
- Quite la junta de goma (3), la junta metálica (4) y la tuerca de sujeción (5) del vástago de ensamblaje del grifo.
- Inserte la manguera flexible del grifo y el vástago de ensamblaje en el orificio correspondiente del fregadero y coloque el grifo en el fregadero.
- Por debajo, utilice la junta de goma (3), la junta metálica (4) y la tuerca de sujeción (5) para fijar el grifo al fregadero.
- Apriete la tuerca de sujeción (5) con la mano hasta que quede bien asegurada. Utilice una llave para apretarla. Apriete suavemente los dos tornillos de la tuerca de sujeción. No los apriete demasiado.
- Conecte la salida de agua principal (6) a la manguera de la regadera (9) utilizando el conector rápido (7), como se muestra. - Conecte el empalme rápido macho (8) empalme rápido hembra (7) y asegúrese de que esté en su lugar. Tire ligeramente de los empalmes rápidos para verificar la fuerza de la conexión.
- Haga que la manguera de la regadera encaje perfectamente (9). Instale el contrapeso (10) aproximadamente a 50 mm (2 pulg.) de la parte inferior de la manguera, del lado más cercano a la nariz de la regadera (1). No debe haber juego en la manguera flexible; debe moverse libremente.
- Fije las mangueras de suministro (no incluidas) a los empalmes de entrada del grifo y apriételos con la mano. Junte los dos extremos y asegúrelos con dos llaves.

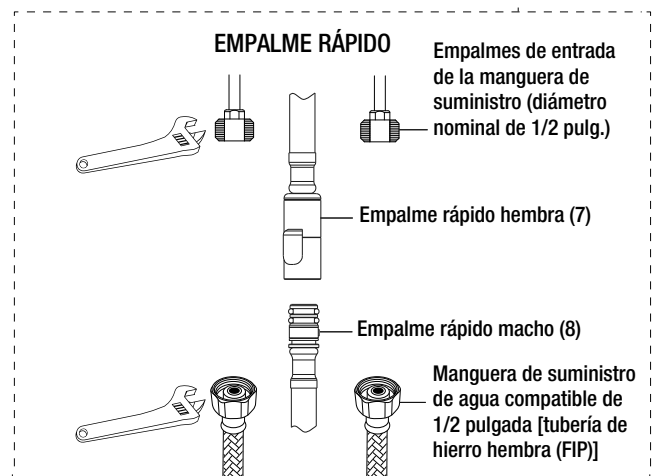
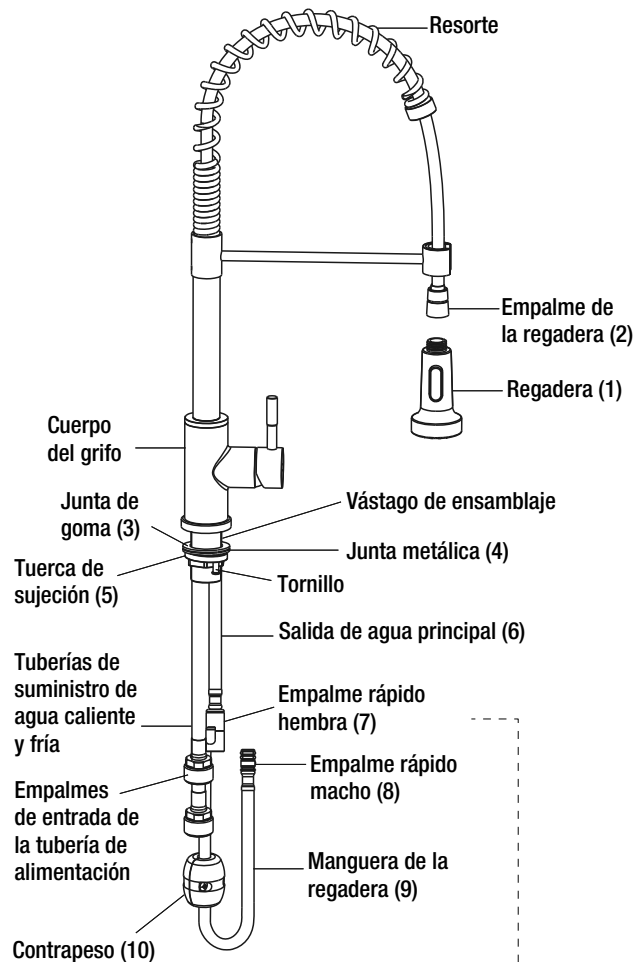


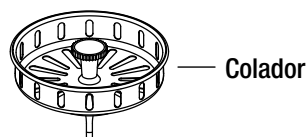
Fig. 9

NOTA: El grifo puede dañarse si no se utilizan dos llaves, y la garantía quedará anulada. No los apriete demasiado. Se recomienda que una persona sostenga el grifo en su lugar mientras otra aprieta las tuercas de ensamblaje. Asegúrese de que ninguna de las mangueras de suministro esté doblada durante la instalación.

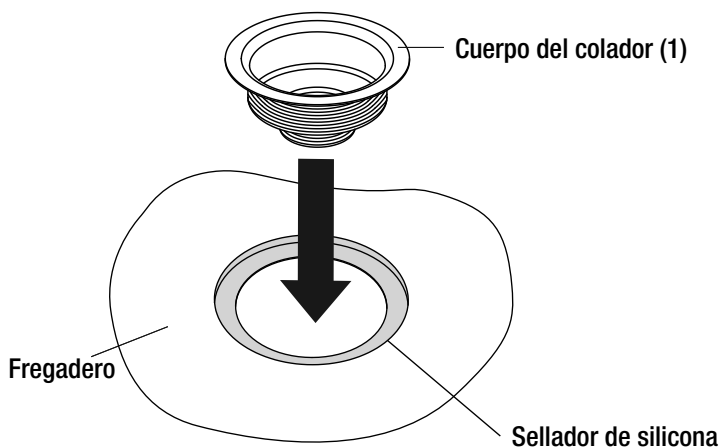
Instalación (continuación)

INSTALAR EL COLADOR

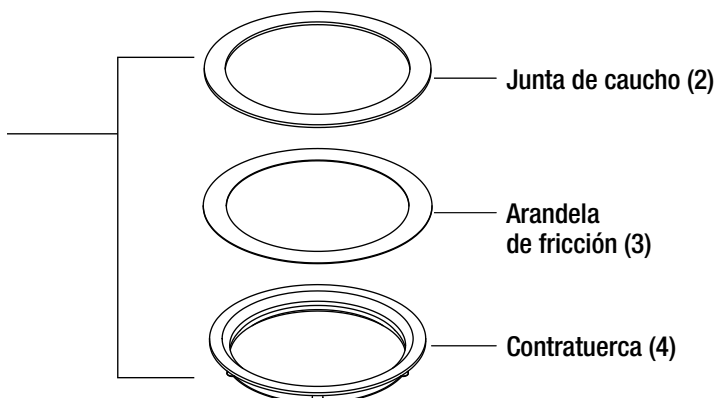
- Aplique masilla de plomería o sellador de silicona a la parte superior de la abertura de drenaje.



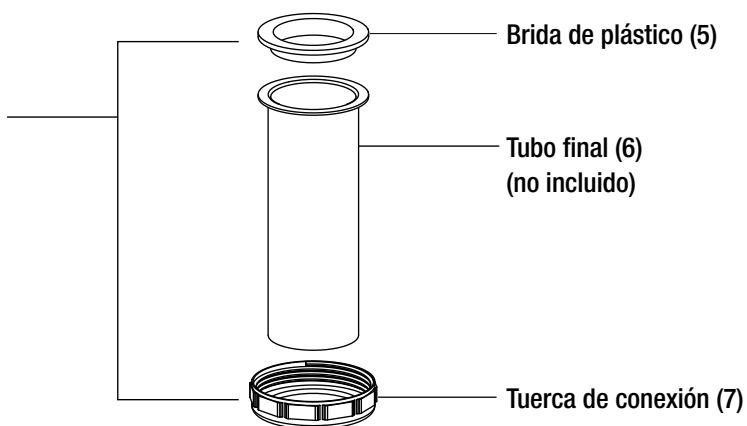
- Inserte el cuerpo del colador (1) en la abertura de drenaje y presiónelo hacia abajo hasta que esté colocado uniformemente.



- Ensamble la junta de caucho (2), la arandela de fricción (3) y la contratuerca (4) en el cuerpo del colador (1) por debajo del fregadero. Ajuste la contratuerca (4) del colador manualmente. No la apriete demasiado.



- Inserte la brida de plástico (5) en el extremo de la brida del tubo de escape (6) (no incluido) y luego asegure el tubo de escape al cuerpo del colador con la tuerca de conexión (7). Ajuste la tuerca de conexión (7) manualmente. No la apriete demasiado.



- Retire el exceso de sellador de la abertura de drenaje.

Fig. 10

Instalación (continuación)

INSTALAR EL FREGADERO

- Con cuidado, agregue un poco de sellador alrededor de la parte superior del armario (A).
- Coloque cuidadosamente el lavabo (C) en el armario (A). Asegúrese de que no esté inclinado y de que se encuentre en el centro del armario (A). Elimine el exceso de sellador. Use cinta adhesiva para mantener el lavabo (C) en su lugar hasta que se seque el sellador.

COLOCACIÓN

- Coloque el armario en la ubicación deseada. Si hace falta, ajuste la cuatro patas niveladoras y compruebe la alineación de la parte superior utilizando un nivel de burbuja.
- Tenga en cuenta que las patas niveladoras están diseñadas para nivelar el mueble y no para ajustar su altura. No se recomienda extender las patas niveladoras más de 0.4 pulg. (10 mm). La extensión excesiva de las patas niveladoras puede hacer que el mueble del fregadero sea inestable.

NOTA IMPORTANTE: Debido al tamaño y peso de este producto, debe estar bien sujeto a la pared con los accesorios de montaje apropiados para el tipo de pared.

En el caso de paneles de yeso o paredes de yeso, el producto debe fijarse a un montante de pared de madera. Consulte a un instalador calificado si es necesario. No hacerlo podría provocar daños a la propiedad o lesiones.

Use sellador con base de silicona para sellar el fregadero a la pared y a cualquier superficie adyacente para mantenerlas secas. No hacerlo podría provocar daños causados por la humedad.

DRENAJE

- Ahora puede conectar a la tubería doméstica el tubo de escape (no incluido) instalado previamente en el drenaje. En algunos casos, la plomería de su hogar tendrá que ser modificada para que el drenaje sea adecuado. De ser así, contrate a un plomero autorizado para que realice las modificaciones necesarias.

LÍNEAS DE ABASTECIMIENTO (NO INCLUIDAS)

- Conecte las líneas de abastecimiento al suministro de agua de la casa de acuerdo con las instrucciones del fabricante.
- Abra las válvulas de abastecimiento del agua fría y la caliente, y asegúrese de que estén instaladas en las tomas adecuadas. Revise que no haya fugas. Deje abierta el agua caliente y la fría durante aproximadamente un minuto completo, para eliminar cualquier residuo de las líneas.

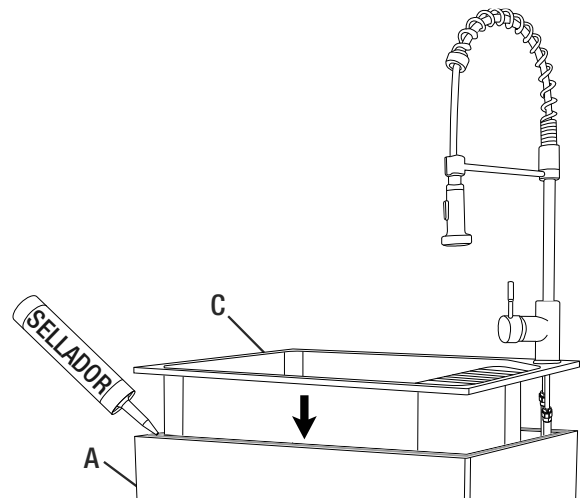
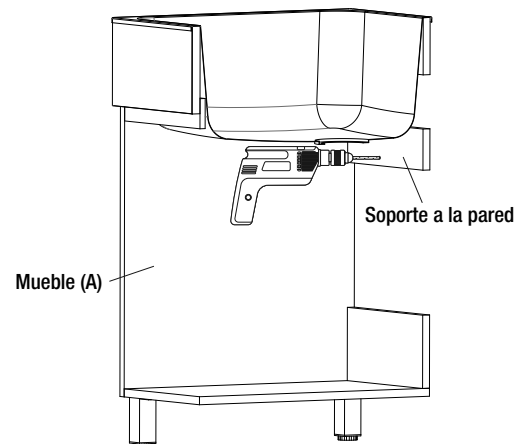


Fig. 11



Corte transversal del mueble
Para mayor claridad, se eliminaron algunos componentes.

Fig. 12

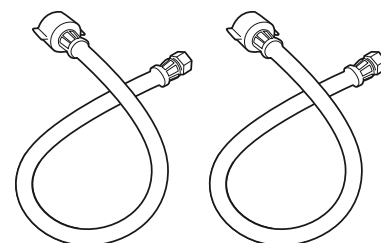


Fig. 13

REEMPLAZO DEL CARTUCHO

- Cierre el suministro de agua del grifo.
- Desatornille la palanca de la manija (1). Afloje el tornillo de fijación (2) con la llave hexagonal que se incluye y retire el cuerpo de la manija (3).
- Desatornille suavemente la tapa decorativa (4) y la tuerca de retención (5).
- Extraiga el cartucho (6) del cuerpo del grifo (7) y reemplácelo con un nuevo cartucho cerámico. Asegúrese de que el nuevo cartucho esté colocado correctamente con las clavijas de ubicación en el lugar adecuado.
- Fije el cartucho en su lugar con la tuerca de retención (5).
- Apriete delicadamente la tuerca de retención utilizando una llave. No apriete demasiado.
- Vuelva a instalar la tapa decorativa (4). Deslice el cuerpo de la manija (3) sobre el cartucho y asegúrese de que gire libremente. Asegure el cuerpo de la manija (3) en su lugar con el tornillo de fijación (2) y vuelva a instalar la palanca de la manija (1).
- Abra nuevamente el suministro de agua del grifo.
- Opere el grifo para asegurarse de que todo funcione correctamente y verifique que no haya fugas.

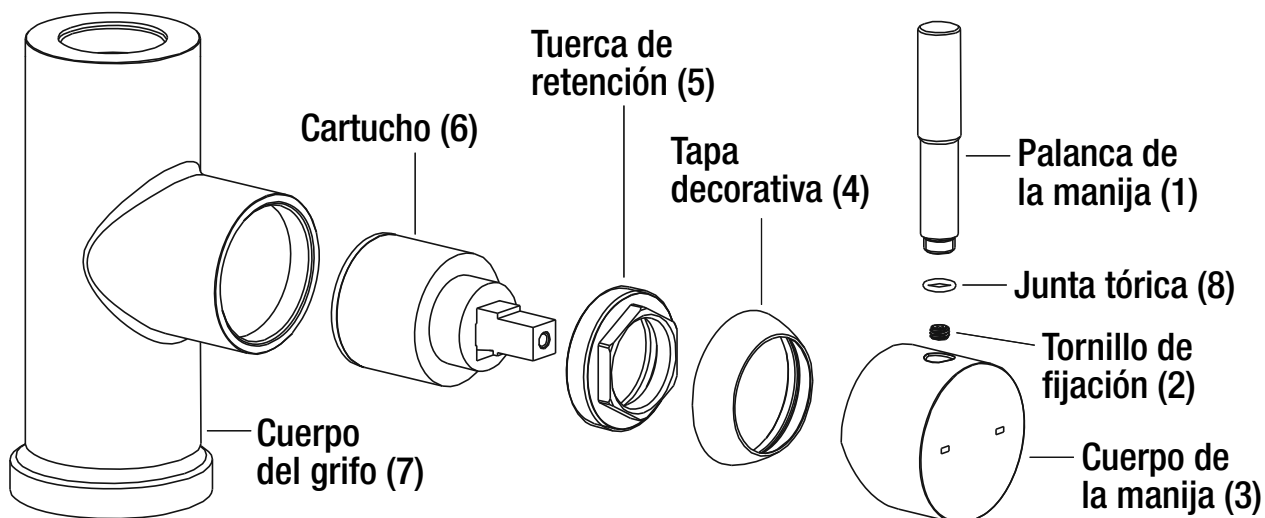


Fig. 14

Cuidado y limpieza

Este fregadero está fabricado con acero inoxidable de la mejor calidad y podrá utilizarlo durante muchos años siempre y cuando lo cuide y le dé el mantenimiento adecuado.

FREGADERO

Hacer

- Después de cada uso lave el fregadero con el agua del grifo para diluir y quitar cualquier depósito.
- Cuando pueda, seque el fregadero con una toalla para evitar que se formen marcas de agua. En caso de que se formen, límpielas con una solución de vinagre y agua, y luego enjuague minuciosamente.
- Utilice jabón líquido, limpiador doméstico multiusos o una solución de vinagre y agua para la limpieza regular.
- Use únicamente esponjas plásticas recomendadas para uso en fregaderos de acero inoxidable, y solo úselas en la cubeta del fregadero. Restriegue en el sentido de las líneas de lavado.

No hacer

- Evite que se seque o deposite cualquier residuo de comida, detergente, jabón, grasa o condimentos por un periodo prolongado en la superficie del fregadero.
- Nunca utilice productos abrasivos, ya que opacarán y rayarán el acabado.
- Nunca utilice esponjas de lana de acero, ya que dejarán partículas de acero en el fregadero y lo corroerán.
- Nunca deje cacerolas de acero o hierro fundido en el fregadero por periodos prolongados, ya que esto puede provocar corrosión.
- No utilice limpiadores a base de cloro en su lavabo nuevo, ya que podrían provocar manchas de óxido o decoloración. Si debe utilizarlos, enjuague bien el lavabo con agua inmediatamente después de su uso. Si alguno de los químicos o pegamento entra en contacto con el lavabo durante su instalación, limpie y enjuáguelo bien con agua.
- Si algún químico o pegamento entra en contacto con el fregadero durante la instalación, limpie y enjuáguelo bien con agua fresca.

AMARIO

Hacer

- Elimine el polvo y la suciedad con un paño suave y húmedo.
- Limpie la grasa, aceite, pintura y manchas de tinta con isopropílico (alcohol para fricciones). Lavar inmediatamente con agua después de la eliminación de las manchas.

No hacer

- No permita que la superficie del mueble entre en contacto con productos como la acetona (quitaesmalte), el esmalte de uñas, la solución de limpieza en seco, los disolventes de lacas, la gasolina, el aceite de pino, etc.
- Evite el uso de navajas de afeitar y otros instrumentos que puedan caer y rayar la superficie.

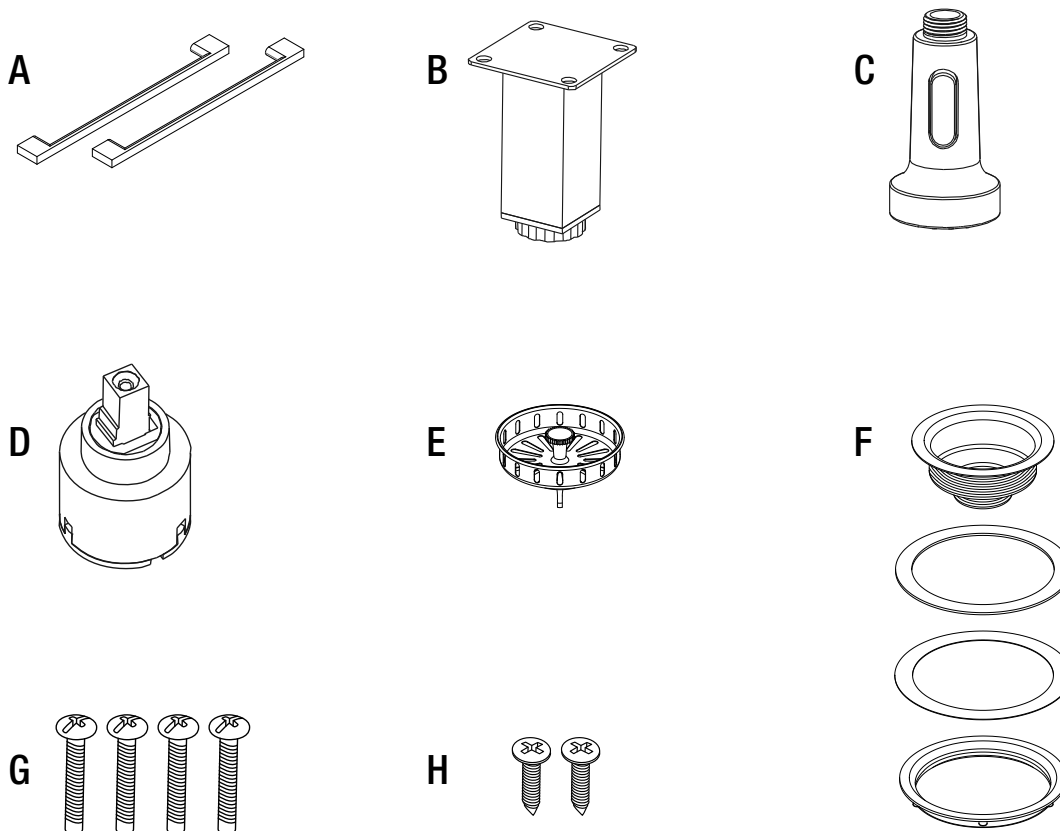
ELIMINAR LOS RAYONES, LAS MANCHAS Y LAS MARCAS, Y RENOVAR LA SUPERFICIE :

Las pequeñas marcas y manchas de óxido que con frecuencia aparecen en el lavabo son resultado, por lo general, de la interacción entre el acero y los productos químicos que se encuentran en la gran variedad de sustancias a las que los lavabos están expuestos comúnmente. También es posible que esas sustancias se transfieran al lavabo desde otros objetos colocados o dejados en él. Los rayones son ocasionados por el uso y el desgaste normales.

Para eliminar los rayones, las manchas y las marcas del lavabo, tállelos con una fibra no metálica (p. ej., Scotch-Brite®) junto con un limpiador ligeramente abrasivo (p. ej., Vim® o Barkeeper's Friend®). Siempre talle las superficies en la dirección de la veta del acero. Al terminar, enjuague el lavabo con agua y séquelo con una toalla, para permitir que se forme en él una capa protectora exterior. El mismo procedimiento puede usarse para renovar todas las superficies del lavabo.

Piezas de repuesto

Si le faltan piezas o requiere refacciones, escríbale a nuestro equipo de servicio al cliente a cs@conglomkb.com o llame al 1-877-333-0098 (de lunes a viernes, de 8:30 a. m. a 5:00 p. m. EST). Identifique la(s) pieza(s) requerida(s) y tenga lista su descripción.



Pieza	Descripción	Código	Cantidad
A	Manija	QHL182	2
B	Postes de las patas	QHL221B	4
C	Cabezal de aspersión	QHL223	1
D	Cartucho	QHL216	1
E	Colador	QHL177	1
F	Conjunto de colador	QHL176	1
G	Tornillos de las manijas	QHL104	4
H	Tornillos de las patas del armario	QHL106	16

Imported by / Importé par / Importado por :

Conglom

St-Laurent, Québec, H4S 2C3

1-877-333-0098 | cs@conglomkb.com

(service available in English and French, Monday - Friday from 8:30 am - 5 pm EST)

(service disponible en anglais et français, du lundi au vendredi, 8h30 à 17h, H.N.E.)

(servicio disponible en inglés y francés, de lunes a viernes, de 8:30 am a 5:00 pm, hora del Este)

www.conglomkb.com

