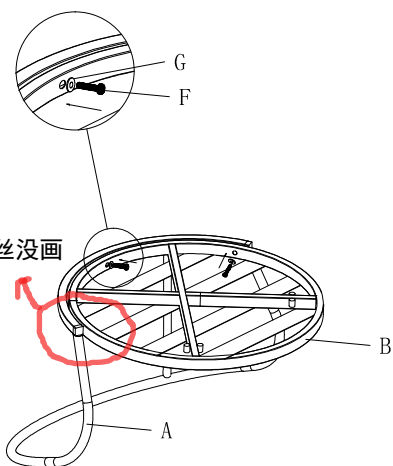
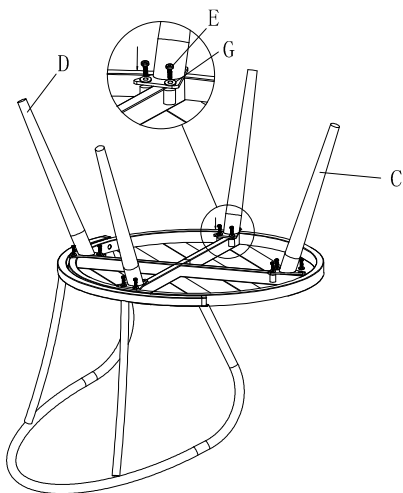


GC-51300-SRP

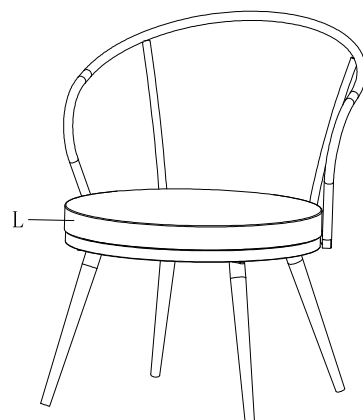
还有一处螺丝没画












STEP 1



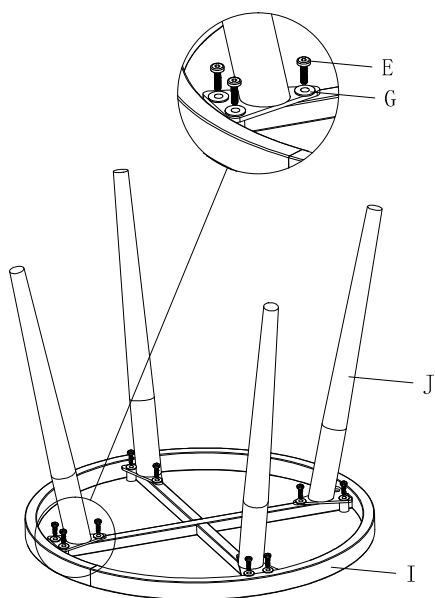
STEP 2



STEP 3

<p>A</p>  <p>2PCS</p>	<p>B</p>  <p>2PCS</p>	<p>C</p>  <p>4PCS</p>	<p>D</p>  <p>4PCS</p>	<p>E</p>  <p>M6*15 36PCS</p>	<p>F</p>  <p>M6*35 6PCS</p>	<p>G</p>  <p>42PCS</p>	<p>H</p>  <p>1PC</p>	<p>L</p>  <p>2PCS</p>
---	---	---	---	---	--	---	---	--







GT-12137-SSG



STEP 1



STEP 2

<p>I</p>  <p>1PC</p>	<p>J</p>  <p>4PCS</p>	<p>K</p>  <p>1PC</p>	<p>E</p>  <p>M6*15 36PCS</p>	<p>G</p>  <p>42PCS</p>	<p>H</p>  <p>1PC</p>
---	--	---	---	---	---