

# UNIQUE<sup>®</sup>

APPLIANCES

== *Classic* ==  
by UNIQUE

## CLASSIC RETRO BY UNIQUE 30" RANGE HOOD

**MODEL NUMBERS:**

UGP-30CR RH W, UGP-30CR RH T,  
UGP-30CR RH LG, UGP-30CR RH RB



OWNER'S GUIDE  
serial number:

# TABLE OF CONTENTS

SAFETY NOTICE . . . . .	03
PRE INSTALLATION . . . . .	06
NECESSARY TOOLS . . . . .	08
PARTS INCLUDED . . . . .	09
PARTS LIST . . . . .	09
INSTALLATION PROCEDURE . . . . .	10
OPERATING INSTRUCTIONS . . . . .	15
TROUBLESHOOTING. . . . .	15
MAINTENANCE . . . . .	16
TECHNICAL SPECIFICATIONS. . . . .	17
WIRING DIAGRAM . . . . .	17
PARTS DIAGRAM AND LIST . . . . .	18
WARRANTY . . . . .	20
APPLIANCE INFORMATION . . . . .	22
PRODUCT REGISTRATION. . . . .	22
CONTACT US . . . . .	23

# SAFETY NOTICES

Approved for residential type units for residential use only read these instructions and be safe.

**Please read these instructions completely before starting.**

The installation of the appliance must respect all codes.

**Important:** Save these instruction so that you can provide the electrical inspector in your area.

**Safety Warning:** Turn off the circuit in the electrical panel and lock front panel to connect the cord of this unit.

**Power Requirement:** 110V-120V/60HZ

 **CAUTION:** USE THIS PRODUCT FOR GENERAL FAN ONLY. DO NOT USE THIS PRODUCT TO EXHAUST FUMES OR HAZARDOUS OR EXPLOSIVE MATERIALS.

 **WARNING:** TO REDUCE THE RISK OF FIRE, ELECTRICAL SHOCK OR INJURY TO PEOPLE, OBSERVE THE FOLLOWING:

1. Use this unit only for the purposes intended by the manufacturer. If you have any questions about this product, contact the manufacturer.
2. Before the machine's maintenance or cleaning, turn off the electrical panel and lock the panel blocking feature to prevent from accidentally activating the power. If it is not possible to lock the access panel, attach a highly visible label to the electrical panel.
3. A qualified person should perform the installation and wiring of the electricity in accordance with all codes and all standards, including fire resistance rating.
4. When you use hood together with stove, please do not close the window and door of the kitchen. Because during the fuel stove working, which will consume lots of air, so do open the door and window to make the kitchen ventilating, to avoid any suffocation.
5. It is important to provide sufficient air for proper combustion of heating equipment and proper evacuation of gases through the chimney pipe to prevent back flow of air. Follow the instructions and safety standards of the manufacturers of heating equipment, such as those published by the National Fire Protection Association (NFPA), the American Society for Heating, Refrigeration and Air Conditioning Engineers (ASJRAE) and the code authorities in your area.
6. When cutting or drilling into wall or ceiling, be sure not to damage electrical wiring or other access to public service.
7. Always evacuate outside the conduit system.

# SAFETY NOTICES

To reduce the risk of fire and to properly exhaust air, be sure that the pipe is leading outside, do not exhaust air into the space between the walls, ceilings, attics, crawl spaces or garages.

## **WARNING – GROUNDING INSTRUCTIONS**

This device must be grounded. In the event of an electrical short circuit, grounding reduces the risk of electric shock by providing an escape wire for the electric current. This appliance is equipped with a cord with a grounding wire with a grounding plug. The plug must be inserted into a properly installed and grounded outlet.

## **CAUTION – INCORRECT GROUNDING CAN CAUSE RISK OF ELECTRIC SHOCK**

If you are unsure whether the device is grounded properly or if the grounding instructions are not fully understood, consult a qualified electrician.

Do not use an extension cord. If the power cord is too short, have a qualified electrician install an outlet near the device.

## **WARNING – TO REDUCE THE RISK OF FIRE OR ELECTRIC SHOCK, DO NOT USE THIS HOOD WITH EXTERNAL SOLID STATE SPEED CONTROLLERS**

## **WARNING – TO REDUCE THE RISK OF FIRE, USE ONLY METAL DUCTS**

Install this hood in accordance with all the requirements mentioned.

## **WARNING – TO REDUCE THE RISK OF FIRE**

1. Never leave the stove unattended when it is at a high temperature. Boil overs cause smoke and fat that overflows can ignite. Heat the oil slowly at a low or medium temperature.
2. Always operate the hood when you use the stove to high heat or when you Flame.
3. Clean ventilating fans frequently. Do not let fat accumulate on the filters or propellers.
4. Use proper pan size. Always use a pot size appropriate to the stove element.
5. Do not touch on-working or off-soon bulb, to avoid any thorny.

# SAFETY NOTICES



## **WARNING – TO AVOID INJURING SOMEONE IN A GREASE FIRE, FOLLOW THE FOLLOWING:**

1. SMOTHER FLAMES with a lid to the dimensions of the cooking hobs, a cookie sheet or other metal tray, then turn off the gas or power supply of the stove. BE CAREFUL NOT TO BURN YOURSELF. If the flames do not go out immediately, LEAVE AND CALL THE FIRE DEPARTMENT.
2. NEVER PICK UP A FLAMING PAN. You could be hurt.
3. DO NOT USE WATER, including Dish towels or wet towels-a violent steam explosion of dew may be occurred.
4. Use an extinguisher only if:
  - You are sure to have a Class ABC extinguisher that you know how to use.
  - The fire is small and confined to the area where it was formed.
  - Firefighters were called.
  - You can fight against the fire with an exit behind you.

## **OPERATIVE MODE**

Always leave safety grills and filters in place. Without the presence of these blowers could catch hair, fingers or clothing. The manufacturer is not liable if detailed in this manual for installation info, maintenance and proper use of the product are not observed. The manufacturer declines all responsibility for any injury caused by negligence. This product is manufactured for internal use. Do not use this appliance outdoors.

# PRE INSTALLATION

## CAUTION

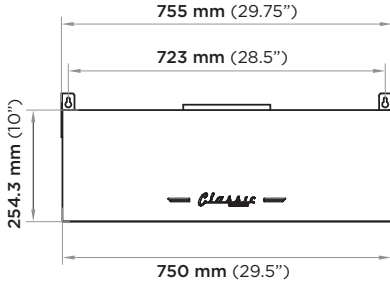
Due to the weight and size of these vent hoods and to reduce the risk of personal injury or damage to the product, **TWO, TO THREE PEOPLE ARE REQUIRED FOR PROPER INSTALLATION.**

- **Please read the instructions carefully. Unpack the range hood and check that all functions are working before installing.**
- Ensure that the voltage (V) and the frequency (Hz) indicated on the sticker match the voltage and frequency at the installation site.
- Check that the area behind the installation surface to be drilled is clear of any electrical cables or pipes, etc.
- The surfaces of the range hood are very easily damaged during installation if scratched or bumped by tools. Please take care to protect the surfaces during installation.
- Protect the cooktop surface below with cardboard, or the like, to prevent damage.
- The manufacturer shall not be held liable for consumer's failure to observe and follow all pre-installation procedures and safety regulations.
- The vertical distance from the cooking surface to the bottom of the range hood should be at least 24" to 36" for best performance.
- Determine if your installation will be top venting or back venting, and ensure that the openings in the cabinet or wall are in the appropriate locations and appropriate size.
- If this is a new installation, choose the venting method that suits your needs. Cut out openings for the damper and for power access in the cabinet bottom or exterior wall, depending on the installation method chosen.

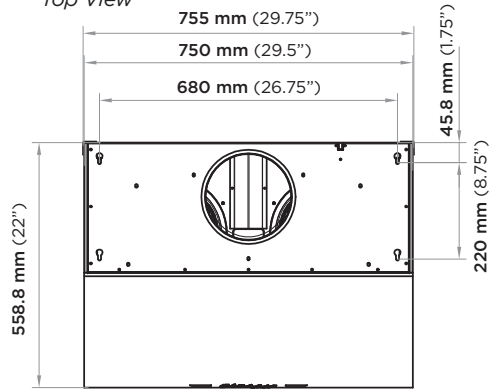
# PRE INSTALLATION

## MEASUREMENTS

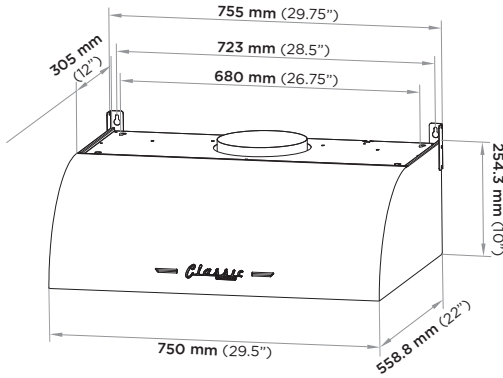
Front View



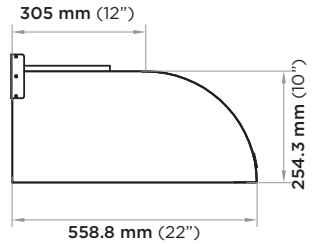
Top View



3/4 View



Side View



# PRE INSTALLATION

## DUCT PLANNING

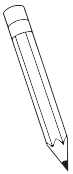
- The ventilation hood is equipped for 8" round ducts. This hood can be ventilated vertically through the top cabinet or ceiling. A duct transition piece is provided for vertical exhaust. You can use elbows (sold separately) to ventilate horizontally through the rear wall.
- Determine the exact position of the hood.
- Plan the route to vent the ventilation duct to the outside.
- Use the shortest and straightest path possible. For satisfactory performance, the length of the duct should not exceed 12.5 feet of equivalent length for all duct configurations.
- Use only metal ducts.

## WALL FRAMING FOR ADEQUATE SUPPORT

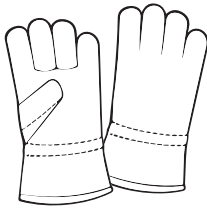
### **WARNING**

THESE VENT HOODS ARE HEAVY. ADEQUATE STRUCTURAL SUPPORT IS REQUIRED.

## NECESSARY TOOLS



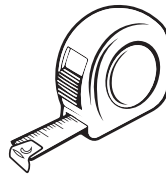
*Marker or pencil*



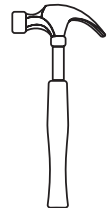
*Safety Gloves*



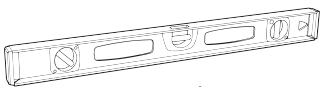
*Aluminum Foil Tape*



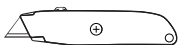
*Measuring tape*



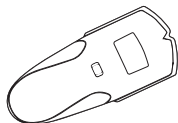
*Hammer*



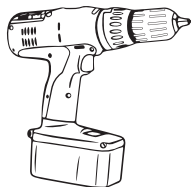
*Level*



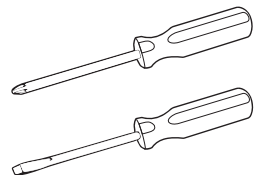
*Utility knife*



*Stud finder*



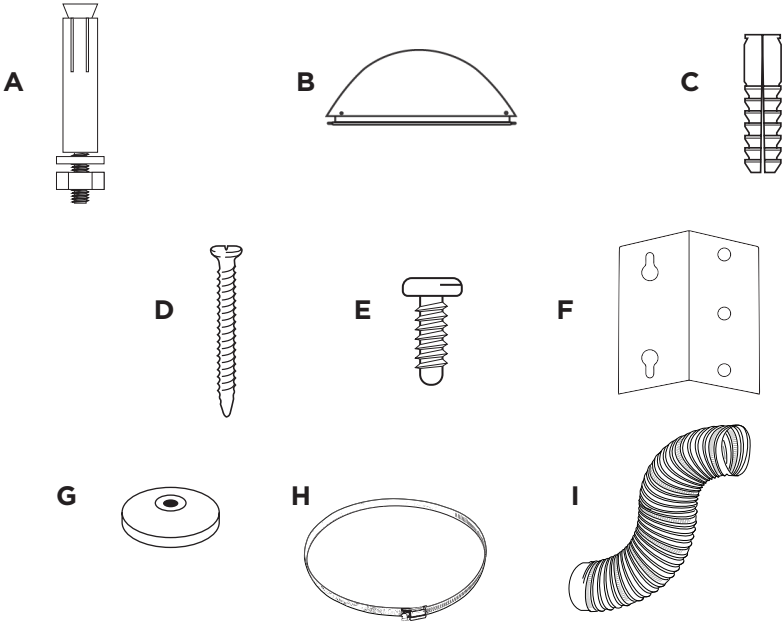
*Powered screwdriver or drill*



*Flat-blade and Phillips screwdrivers*

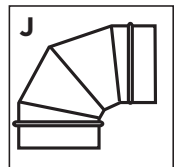


# PARTS INCLUDED



## PARTS LIST

- A) Metal anchors (concrete installations) - 4 pcs
- B) Damper Flap - 1 (could be attached to range hood)
- C) Plastic Anchors (drywall installations)- 10 pcs
- D) ST4\*4 x 35 mm wood screws - 10 pcs
- E) ST4\*4 x 12 mm metal screws - 4 pcs  
(use only if not installing into the top cabinets)
- F) Metal Hinges - 2 pcs  
(use only if not installing into the top cabinets)
- G) Beveled Washers - 10 pcs
- H) Metal Duct Clamp - 1
- I) 7.5" Round Duct - 1
- J) **Elbow Duct - 1**  
**(Sold separately for rear wall installation)**



# INSTALLATION PROCEDURES

## Caution: The range hood has sharp edges

Please wear protective work gloves to remove parts, installation, cleaning and servicing.

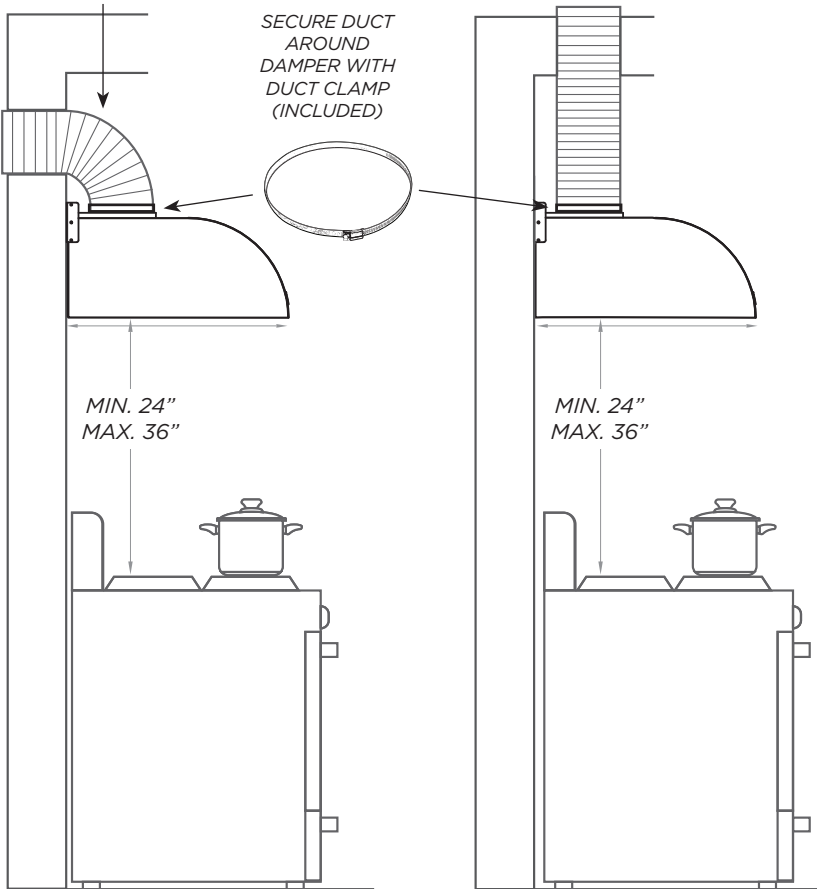


### Step 1:

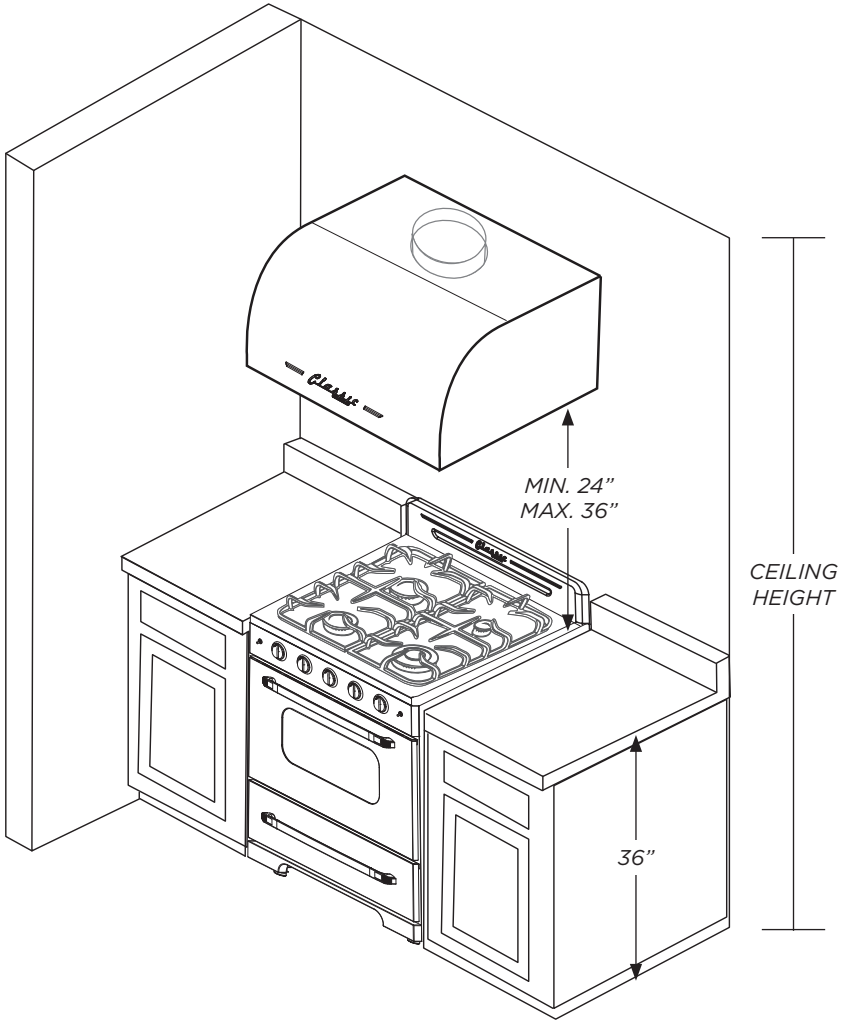
- Connect the Duct into the Damper.
- Secure the Duct around the Damper with the Duct Clamp.

**Important:** For best results, the mounting height of range hood should be 65 - 75 cm (24" - 36") above the top of the range.

*STEEL ELBOW DUCT  
RECOMMENDED FOR WALL  
MOUNTED INSTALLATION*



# INSTALLATION PROCEDURES



## Step 2:

**Caution:** When installing the hood, the height should not be too high or too low. Before the installation, please inspect the maximum height of your ceiling and bonnet. Too high, will affect the efficiency of the hood; too low, stove temperature will damage some parts of the hood. So the installation height requirement is: the distance between the bottom of the hood to the surface of the cooktop is Max 36" - Min 24" (as figure showing)

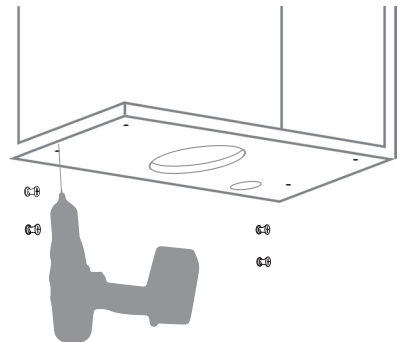
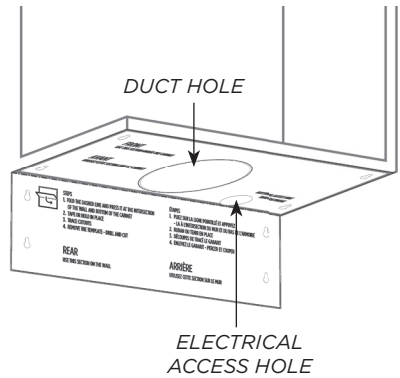
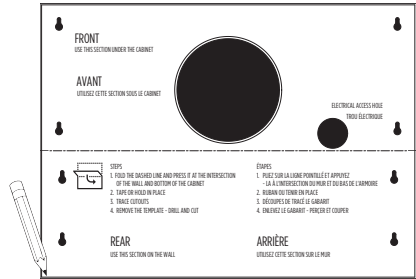
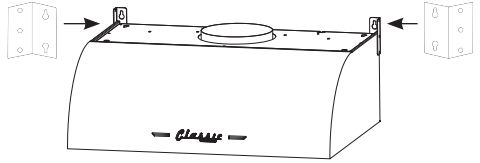
# INSTALLATION PROCEDURE

## Top and rear mount installation

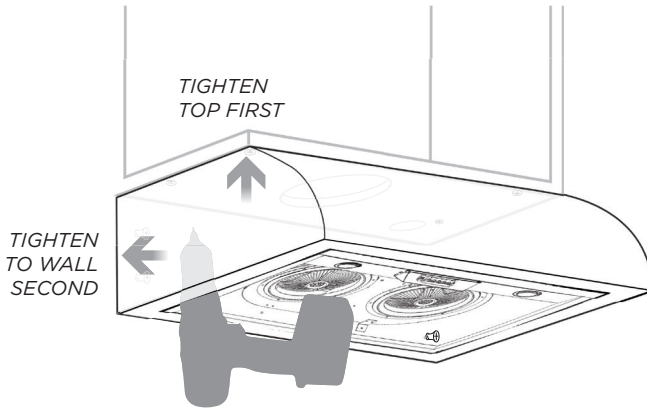
Due to the weight of the unit, it is recommended to mount the hood at the bottom of the upper cabinet and then fix it to the wall to avoid gaps.

1. Use the installation template cut-outs to mark the necessary holes on the back and top of the hood with a pencil or marker.
2. Remove the template after marking
3. Use the wall stud finder to identify the number of drywall anchors required.
4. Drill four (4) 5/16" (8 mm) holes into the wall at each of the marked locations. Insert the drywall anchors into wall holes and firmly tap them into place. Insert screws into anchors and leave 1/4" out for range hood to hang on.
5. Remove an electrical and duct access hole in the upper cabinet.

(USE HINGES ONLY IF NOT INSTALLING UPPER SCREWS INTO THE TOP CABINETS)

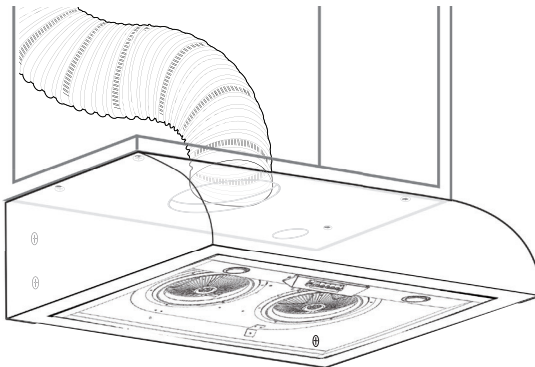


# INSTALLATION PROCEDURE



**⚠ THESE STEPS REQUIRE LIFTING AND HANGING AT THE SAME TIME - USE TWO/THREE PEOPLE**

6. Locate the top (cabinet) holes and line up hood holes, while also lining up to holes with the protruding wall screws.
7. Fasten the hood to the bottom of the cabinet by tightening screws with a drill or screwdriver.
8. Tighten the screws to fix the hood to the wall once it is fixed to the cabinet.
9. Run the ducting through cabinet and the electrical cables through electrical access hole.

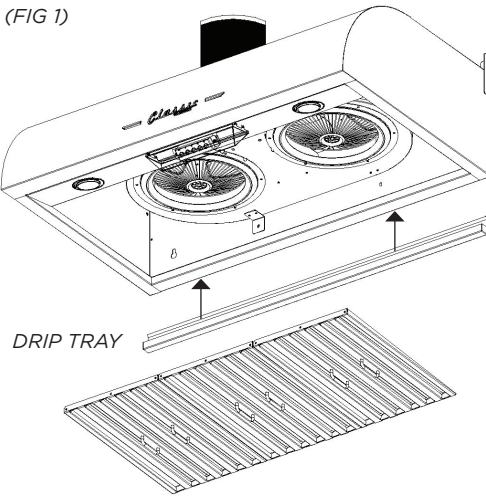


# INSTALLATION PROCEDURE

## Metal Filter Installation

1. Install the Drip Tray inside the bottom rear of the range hood. (Fig 1)
2. Install the filters by inserting at an angle towards the rear of the range hood. (Fig 2)
3. Push the filter up and insert front of filter into front recess. (Fig 3)
4. Slightly lower the filter then slide back until it is in proper position. (Fig 4)

(FIG 1)

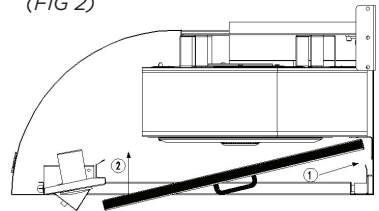


DRIP TRAY

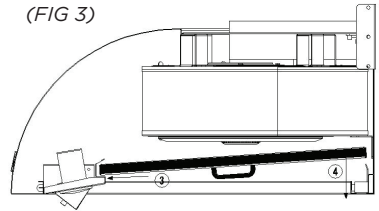
FILTER X3



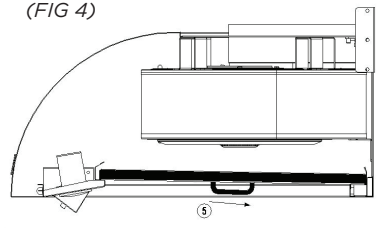
(FIG 2)



(FIG 3)



(FIG 4)

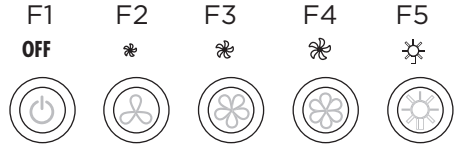


# OPERATING INSTRUCTIONS

## Touch Controls

### Function Buttons:

OFF	F1	OFF
LOW SPEED	F2	☼
MEDIUM SPEED	F3	☼
HIGH SPEED	F4	☼
LED LIGHT	F5	☼



**Fan Buttons:** Power on by pressing any button of F2/F3/F4, fan starts and F5 light automatically but does not blink.

## TROUBLESHOOTING

PROBLEM	CAUSE	SOLUTION
After Installation, motor and lights are not working.	The power is not on	Make sure the circuit breaker and the unit's power is ON. Use a voltage meter to check the power supply
	The wire connection is not secure	Check and tighten wire connection
	The touch panel and processor board wiring are disconnected	Check wire continuity from control panel to processor board
	The touch panel and processor board is defective	Replace the control panel or processor board
Lights are working, but motor(s) is not.	The motor(s) is defective	Replace the motor
	The capacitor(s) is defective	Replace capacitor(s)
	The control panel or processor board is defective	Replace the control panel or processing board
The range hood is vibrating	The blower system is not secure	Tighten the squirrel cage
	The squirrel cage is not balanced	Replace the squirrel cage
	Hood is not secured in place	Check the installation of hood, tighten the mounting bracket

# MAINTENANCE

**CAUTION: NEVER PUT YOUR HANDS INSIDE THE RANGE HOOD WHILE IT IS IN OPERATION.**

## CLEANING

For best performance, clean the range hood regularly.

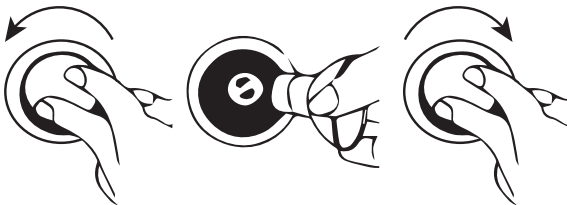
1. Use only mild soap or cleaning solutions to clean the exterior surface of the range hood. Use a soft cloth to dry the surface.
2. Stainless Steel Filters: For daily cleaning, use warm soapy water and a soft cloth. Pat dry and finish with a damp micro fiber cloth. The filters can also be cleaned in the dishwasher.
3. Clean the hood assembly every 6 months.
4. Do not clean the electrical components or motor with water or other liquids.

## REPLACING LED LIGHT BULBS

**CAUTION: THE LAMP UNIT MAY BE HOT! WAIT UNTIL THE UNIT IS COLD.** Before attempting to replace the bulbs, make sure the unit is turned off and unplugged.

Note: Bulb Size GU10.

1. Turn counterclockwise and remove the bulb from the board.
2. Connect a new bulb and turn it clockwise to lock it in place.



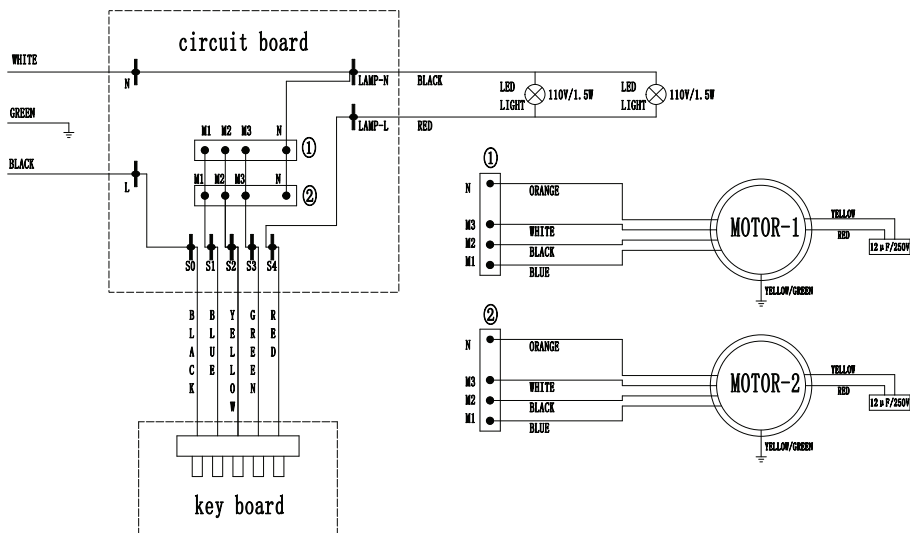


# TECHNICAL SPECIFICATIONS

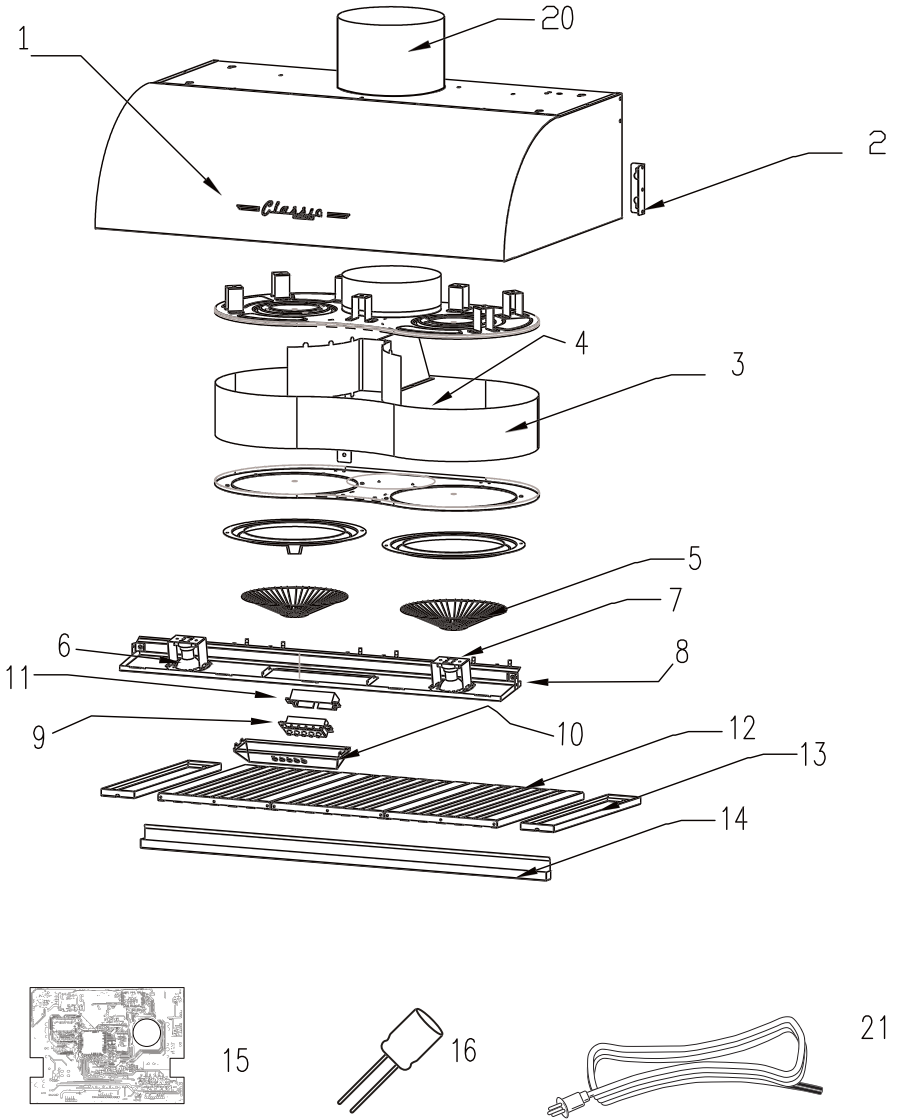
MODEL	UGP-30 CR RH
RATED POWER	240W
RATED VOLTAGE	110-120V
CONTROLS	3 speed power control
NOISE LEVEL	Below 65 dBA
LIGHTS	1.5W LED Lamps x 2
CLEANING	Dishwasher safe stainless steel baffle filters
DIMENSIONS	W 29.5" x H 10" x D 22"
WEIGHT (UNBOXED)	53 lbs / 24 kg
CERTIFICATION	ETL Certified

Made in China

## WIRING DIAGRAM



# PARTS DIAGRAM AND LIST



# PARTS DIAGRAM AND LIST

Item #	Part Number	Description
	Classic Retro Logo	Unique Classic Logo
1	UGP-SNG01	Coloured Range Hood Body Assembly (not for individual sale) for UGP-30CR RH
2	UGP-SNG02	Wall Mounting Bracket for UGP-30CR RH
3	UGP-SNG03	Motor Housing Assembly (not for individual sale) for UGP-30CR RH
4	UGP-SNG04	Electric Motor 110V for UGP-30CR RH
5	UGP-SNG05	Air Flow Guide for UGP-30CR RH
6	UGP-SNG06	LED Lamp for UGP-30CR RH
7	UGP-SNG07	Lamp Mount Bracket for UGP-30CR RH
8	UGP-SNG08-LG	Control Panel Summer Mint Green for UGP-30CR RH
	UGP-SNG08-RB	Control Panel Robin Egg Blue for UGP-30CR RH
	UGP-SNG08-T	Control Panel Turquoise for UGP-30CR RH
	UGP-SNG08-W	Control Panel White for UGP-30CR RH
9	UGP-SNG09	Electric Switch Assembly for UGP-30CR RH
10	UGP-SNG10-LG	Electric Switch Housing Summer Mint Green White for UGP-30CR RH
	UGP-SNG10-RB	Electric Switch Housing Robin Egg Blue for UGP-30CR RH
	UGP-SNG10-T	Electric Switch Housing Turquoise for UGP-30CR RH
	UGP-SNG10-W	Electric Switch Housing White for UGP-30CR RH
11	UGP-SNG11	Electric Switch Mounting Bracket for UGP-30CR RH
12	UGP-SNG12	Air Filter for UGP-30CR RH
14	UGP-SNG14	Grease Collector for UGP-30CR RH
15	UGP-SNG15	PCB Board for UGP-30CR RH
16	UGP-SNG16	Capacitor for UGP-30CR RH
20	UGP-SNG20	Exhaust Mounting Pipe for UGP-30CR RH
21	UGP-SNG21	Power Cord 110V for UGP-30CR RH

# CLASSIC RETRO BY UNIQUE 30" RANGE HOOD 1 YEAR LIMITED WARRANTY

**Unique Appliances Ltd. (hereafter "Unique") warrants that this UNIQUE range hood is free from manufacturer's defects in material and workmanship under normal usage and service under the following terms.**

## **Parts Warranty**

This appliance has been designed for domestic household use. If properly installed, adjusted and operated under normal conditions in accordance with printed instructions, it will satisfactorily perform the functions that are generally expected of this type of appliance.

If the appliance fails to do so because of a defect in material or workmanship within **one year** from the original date of purchase: Unique will at our option, repair, exchange, or correct by other means Unique consider appropriate, any part(s) Unique finds to be defective except for the surface finish.

## **Ownership**

This Warranty is made only to the first purchaser ("original purchaser") who acquires this range hood for his/her own use and will be honored by Unique Appliances and by the Seller. Purchaser must retain their receipt as proof of purchase date.

## **Warranty Conditions**

This warranty does not apply to any appliance that has been subjected to alterations, misuse, abuse (including damage by foreign agents or chemicals), accident, improper installation or service, delivery damage, or other than normal household use and service. This UNIQUE appliance must be serviced regularly as outlined in the Owner's Manual. In case of damage, the owner must provide proof of purchase, Model, and Serial Number to the selling dealer or Unique Appliances. This warranty is LIMITED STRICTLY to the terms indicated herein, and no other expressed warranties or remedies thereunder shall be binding on Unique.

## **Purchaser's Responsibilities**

The purchaser will be responsible for the costs of any service calls requested to demonstrate or confirm the proper operation of the appliance, the installation, or to correct malfunctions in the appearance created by the operation of the appliance in a manner not prescribed by or cautioned against in the use and care instructions.

## **Model and Serial Number**

The appliance model number and serial number can be found on a rating plate on the range hood. The purchaser should always refer to the model and serial number when talking to or contacting the dealer from whom the appliance was purchased.

## **EXCLUSIONS**

Save as herein provided, by Unique, there are no other warranties, conditions, representations or guarantees, express or implied, made or intended by Unique or its authorized distributors and all other warranties, conditions, representations or guarantees, including any warranties, conditions, representations or guarantees under any Sale of Goods Act or like legislation or statute is hereby expressly excluded. Save as herein provided, Unique shall not be responsible for any damages to persons or property, including the unit itself, howsoever caused or any consequential damages arising from the malfunction of the unit and by the purchase of the unit, the purchaser does hereby agree to indemnify and hold harmless Unique from any claim for damages to persons or property caused by the unit.

Removal or disfigurement of the rating plate will void the warranty. The purchaser will be responsible for any expenses involved in making the range hood readily accessible for servicing. The purchaser will be responsible for any extra charges where the installation is in a remote location such as un-assumed roads, islands, areas known as cottage country, more than 20 Km outside a Metropolitan area, or where a technician is not available. Freight damage is not covered by this warranty.

### **GENERAL PROVISIONS**

No warranty or insurance herein contained or set out shall apply when damage or repair is caused by any of the following:

1. Power failure.
2. Damage in transit or when moving the appliance.
3. Improper power supply such as low voltage, defective house wiring or inadequate fuses.
4. Accident, alteration, abuse or misuse of the appliance such as inadequate air circulation in the room or abnormal operating conditions (ie. extremely high or low room temperature).
5. Use for commercial or industrial purposes (ie. If the appliance is not installed in a domestic residence).
6. Fire, water damage, theft, war, riot, hostility, acts of God such as hurricanes, floods etc.
7. Service calls resulting in customer education.
8. Improper Installation (ie. Building-in of a free standing appliance or using an appliance outdoors that is not approved for outdoor application, including but not limited to: garages, patios, porches or anywhere that is not properly insulated or climate controlled).

Proof of purchase date will be required for warranty claims; retain bills of sale. In the event that warranty service is required, present the proof of purchase to our authorized service depot.

**Nothing within this warranty shall imply that Unique will be responsible or liable for any direct or indirect loss of foods caused by failure in operation.**

### **Factory Assistance**

If the purchaser is unable to locate an authorized dealer/service agent, or if the purchaser does not receive satisfaction from the dealer, they may contact Unique Appliances Customer Service directly at Toll Free 1-877-427-2266 or 905-827-6154.



## APPLIANCE INFORMATION (manual copy - keep with your records)

Please record the following information for future reference:

Model:

---

Serial Number:

---

Purchased From:

---

Date Purchased:

---

## NOTES

---

---

---

---

---

---

---

---

---

---

## PRODUCT REGISTRATION

Please visit our website at  
[www.uniqueappliances.com/product-registration/](http://www.uniqueappliances.com/product-registration/)  
to register your product.

# CONTACT US

For general information or questions related to the operation, safety or the purchase of your range hood, please contact our customer service department:



## **Email**

[info@uniqueappliances.com](mailto:info@uniqueappliances.com)



## **Toll-free**

1-877-427-2266 or 1-905-827-6154  
available during regular business hours,  
8:30 am to 4:30 pm, EST



## **Website**

[www.uniqueappliances.com](http://www.uniqueappliances.com)



©2021 Unique Appliances Ltd.,  
2245 Wycroft Road, Oakville, Ontario, Canada, L6L 5L7

[www.uniqueappliances.com](http://www.uniqueappliances.com)