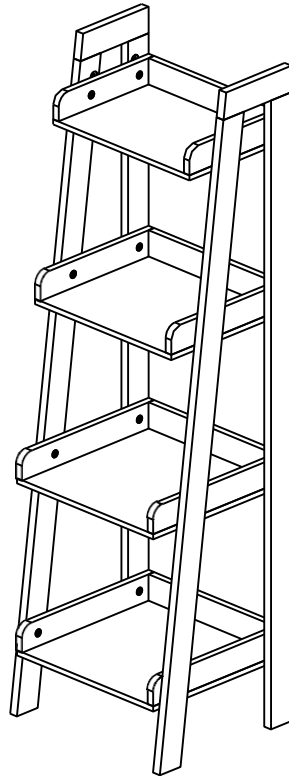




## ASSEMBLY INSTRUCTIONS



### RiverRidge® 4 Tier Ladder Shelf

ITEM #: 02-070/06-094 WHITE

ITEM #: 02-071/06-095 GRAY

### **ADULT ASSEMBLY REQUIRED**

This product requires assembly by an adult because of small parts. Care should be taken in unpacking and assembling this item to keep small parts away from children.

### **WARNING SEE FULL WARNING ON PAGE 2**

Young children can be seriously injured or killed if furniture tips over. Don't use this item for a TV stand or place heavy objects on top of item. Always use angle-braces or anchors to secure furniture to the wall.

**THIS SHELF UNIT WILL HOLD UP TO 20 POUNDS PER SHELF OR A TOTAL OF 80 POUNDS. DO NOT LOAD EACH SHELF WITH MORE THAN 20 POUNDS OR 80 POUNDS TOTAL WEIGHT. IF OVERLOADED WITH MORE THAN 20 POUNDS PER SHELF OR 80 POUNDS TOTAL WEIGHT, SHELF MAY TIP FROM WALL AND CAUSE SERIOUS INJURY OR DEATH.**

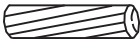


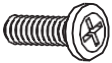






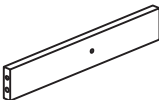

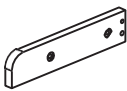
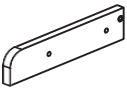
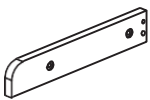
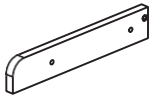
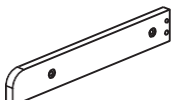


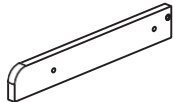
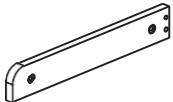

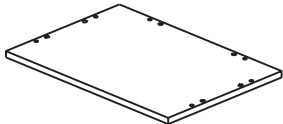
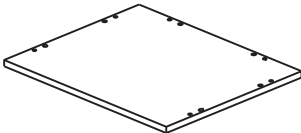
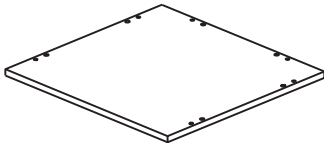
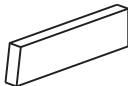
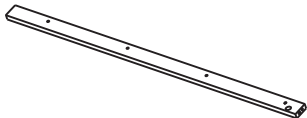
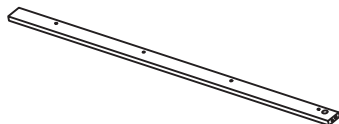
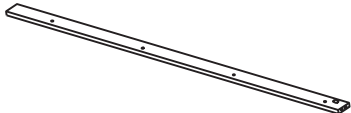
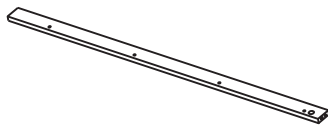
# **WARNING**

**SERIOUS OR FATAL INJURIES CAN OCCUR FROM FURNITURE TIP-OVER. TO HELP PREVENT TIP-OVER:**

- **Always use tip over restraints and/or wall anchors to secure furniture to the wall**
- **Place heaviest items in the lowest drawers/bins or shelves**
- **Do not set TV's or other heavy objects on the top of this product**
- **Never allow children to climb or hang on to the drawers/bins, doors or shelves of furniture**
- **Never open more than one drawer at a time or defeat or remove any drawer interlock system**

# PARTS LIST

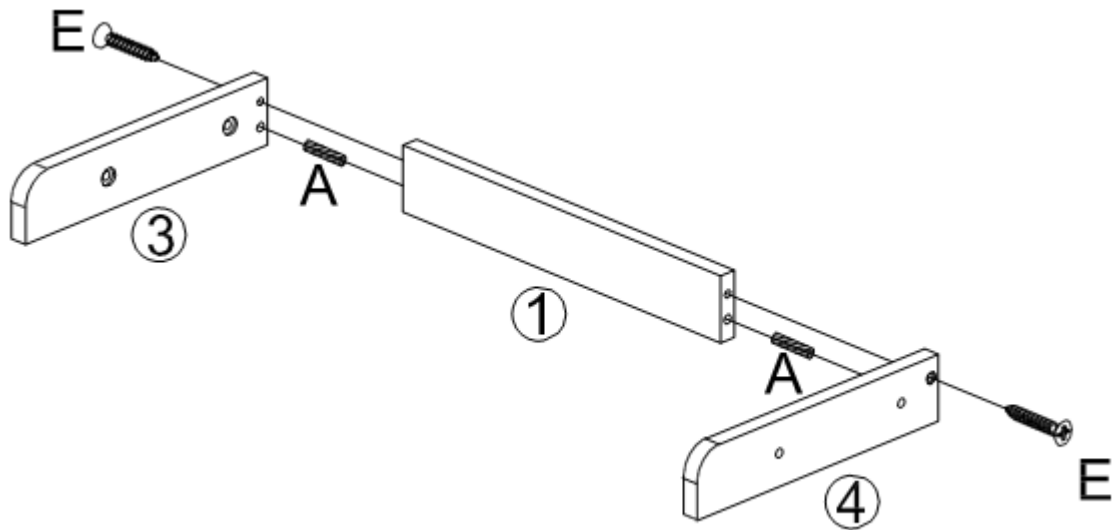
NO	PARTS	QTY	DESCRIPTION
A		36 PCS	WOOD DOWEL
B		4 PCS	CAM BOLT
C		4 PCS	CAM LOCK
D		16 PCS	MACHINE SCREW (6X20MM)
E		32 PCS	WOOD SCREW (3.5X25MM)
F		1 PC	WALL SCREW (4X30MM)
G		1 PC	WOOD SCREW (3X12MM)
H		1 PC	PLASTIC ANCHOR
J		2 PCS	BRACKET
K		1 PC	PLASTIC LOCK STRAP
I		1 PC	TOP REAR RAIL BOARD
2		3 PCS	REAR RAIL BOARD
3		1 PC	SHELF #1 LEFT RAIL BOARD
4		1 PC	SHELF #1 RIGHT RAIL BOARD
5		1 PC	SHELF #2 LEFT RAIL BOARD
6		1 PC	SHELF #2 RIGHT RAIL BOARD
7		1 PC	SHELF #3 LEFT RAIL BOARD

NO	PARTS	QTY	DESCRIPTION
8		1 PC	SHELF #3 RIGHT RAIL BOARD
9		1 PC	SHELF #4 LEFT RAIL BOARD
10		1 PC	SHELF #4 RIGHT RAIL BOARD
11		1 PC	SHELF #1
12		1 PC	SHELF #2
13		2 PCS	SHELF #3 AND #4
14		2 PCS	TOP BAR OF LEFT AND RIGHT SIDE FRAME
15		1 PC	LEFT FRONT LEG
16		1 PC	LEFT REAR LEG
17		1 PC	RIGHT FRONT LEG
18		1 PC	RIGHT REAR LEG

**TOOLS NEEDED FOR ASSEMBLY: FLAT & PHILLIPS SCREWDRIVER (NOT INCLUDED)  
THE USE OF POWER SCREWDRIVER IS NOT RECOMMENDED FOR ASSEMBLY  
TOOL NEEDED FOR SECURING TO WALL: POWER DRILL (NOT INCLUDED)**

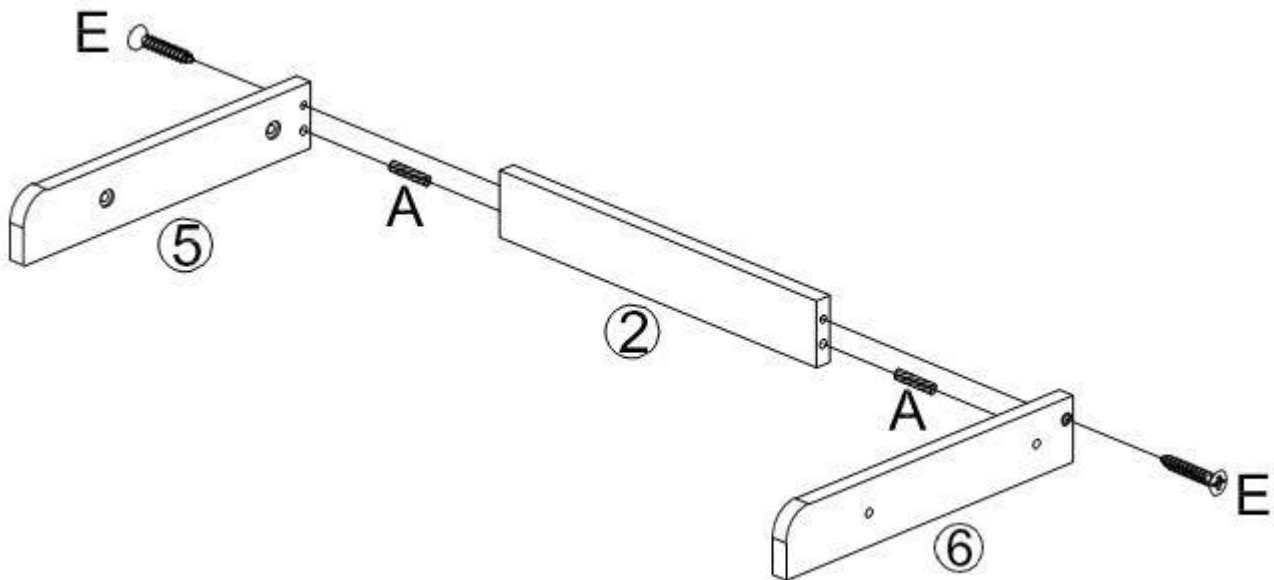
To order replacement parts at no cost to you, email [customer.service@ssi-rr.com](mailto:customer.service@ssi-rr.com),  
call 1-(844)-223-5201 or order parts online at [www.riverridgehome.com](http://www.riverridgehome.com)

## STEP 1



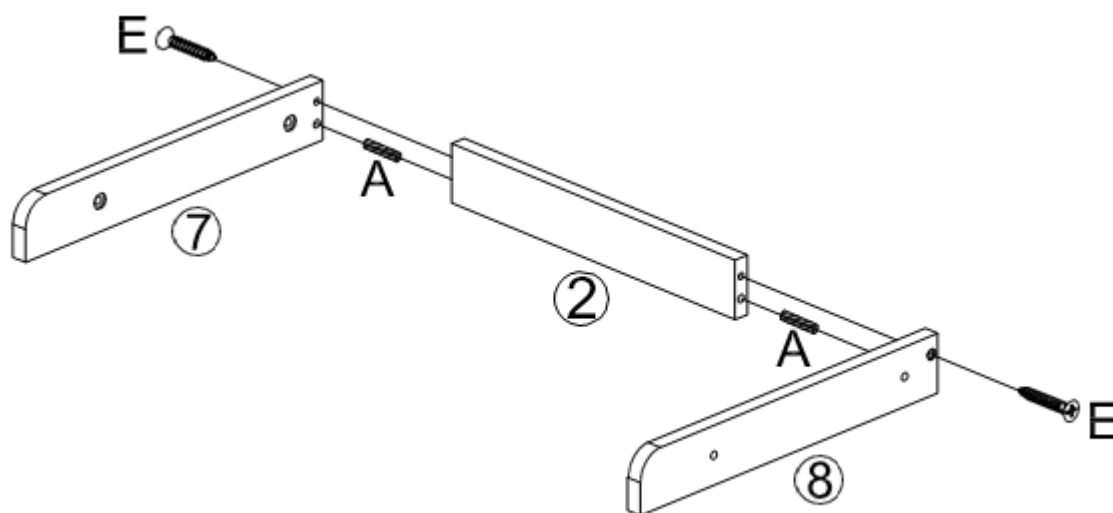
1. Insert 1 wood dowel (A) into wood dowel hole on end of top rear rail board (1).
2. Attach shelf #1 left rail board (3) to top rear rail board (1) by inserting wood dowel (A) into hole on shelf #1 left rail board (3). Make sure hole on top rear rail board (1) is facing towards back side of shelf.
3. Insert 1 wood screw (E) through hole on shelf #1 left rail board (3) and tighten to top rear rail board (1).
4. Repeat above steps to assemble shelf #1 right rail board (4) to top rear rail board (1).

## STEP 2



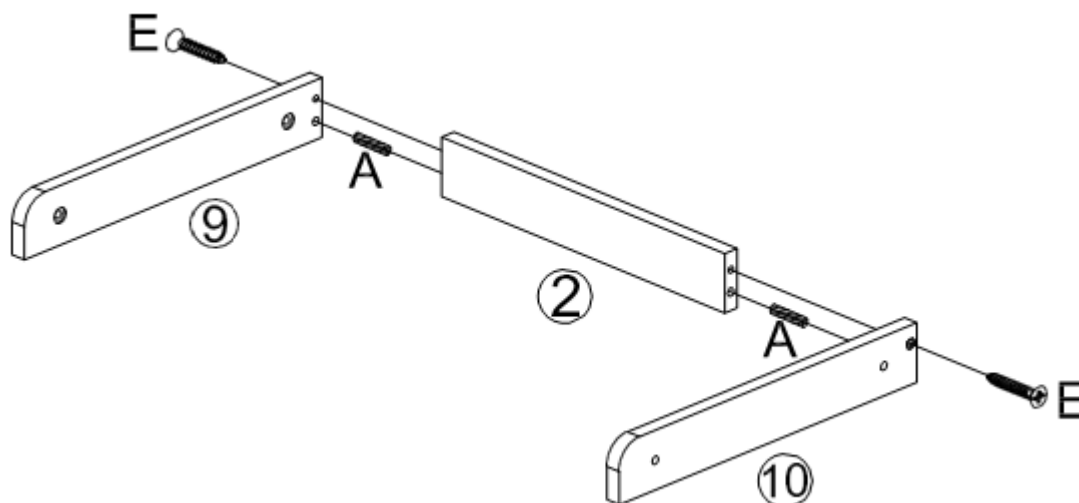
1. Insert 1 wood dowel (A) into wood dowel hole on end of rear rail board (2).
2. Attach shelf #2 left rail board (5) to rear rail board (2) by inserting wood dowel (A) into hole on shelf #2 left rail board (5).
3. Insert 1 wood screw (E) through hole on shelf #2 left rail board (5) and tighten to rear rail board (2).
4. Repeat above steps to assemble shelf #2 right rail board (6) to rear rail board (2).

### STEP 3



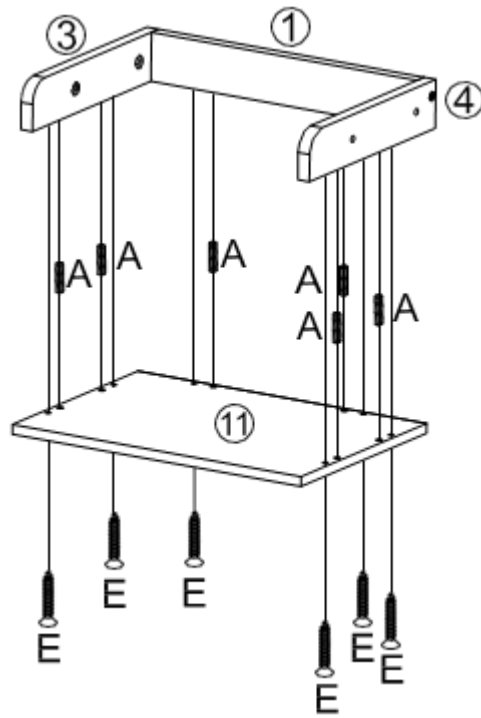
1. Insert 1 wood dowel (A) into wood dowel hole on end of rear rail board (2).
2. Attach shelf #3 left rail board (7) to rear rail board (2) by inserting wood dowel (A) into hole on shelf #3 left rail board (7).
3. Insert 1 wood screw (E) through hole on shelf #3 left rail board (7) and tighten to rear rail board (2).
4. Repeat above steps to assemble shelf #3 right rail board (8) to rear rail board (2).

### STEP 4



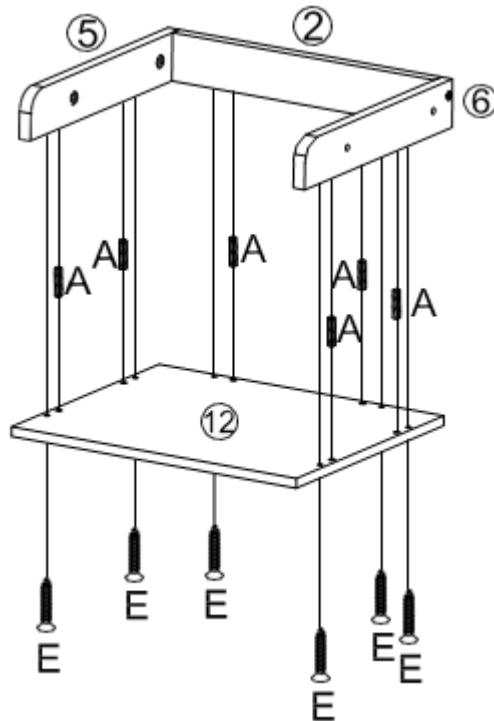
1. Insert 1 wood dowel (A) into wood dowel hole on end of rear rail board (2).
2. Attach shelf #4 left rail board (9) to rear rail board (2) by inserting wood dowel (A) into hole on shelf #4 left rail board (9).
3. Insert 1 wood screw (E) through hole on shelf #4 left rail board (9) and tighten to rear rail board (2).
4. Repeat above steps to assemble the shelf #4 right rail board (10) to the rear rail board (2).

## STEP 5



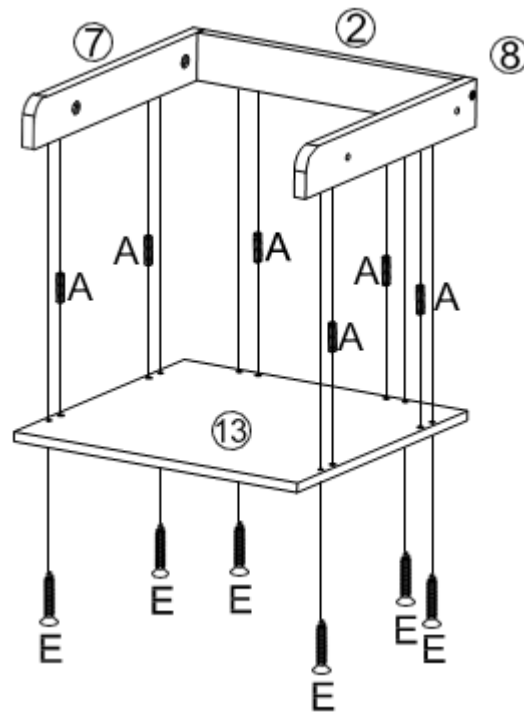
1. Insert 6 wood dowels (A) into wood dowel holes on shelf #1 (11).
2. Attach shelf #1 (11) to shelf #1 rail board assembled parts (1), (3), (4) by inserting wood dowels (A) into wood dowel holes on left rail board (3), right rail board (4) and top rear rail board (1).
3. Insert 6 wood screws (E) through holes on shelf #1 (11) and tighten to left rail board (3), right rail board (4) and top rear rail board (1).

## STEP 6



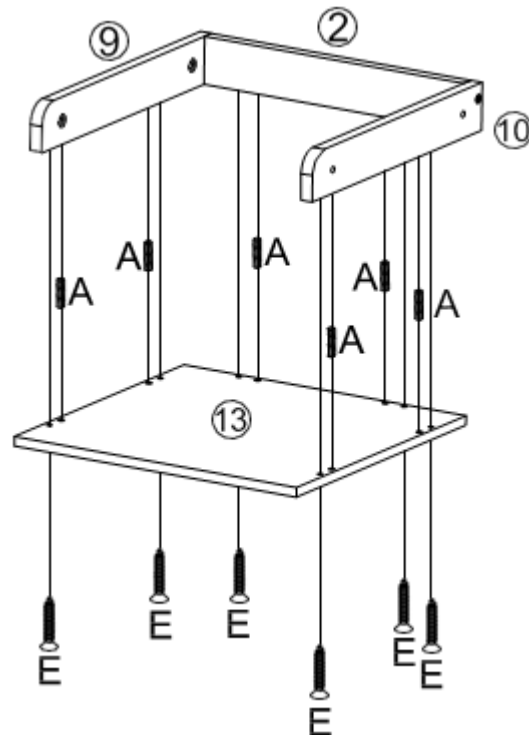
1. Insert 6 wood dowels (A) into wood dowel holes on shelf #2 (12).
2. Attach shelf #2 (12) to shelf #2 rail board assembled parts (2), (5), (6) by inserting wood dowels (A) into wood dowel holes on shelf #2 left rail board (5), shelf #2 right rail board (6) and rear rail board (2).
3. Insert 6 wood screws (E) through holes on shelf #2 (12) and tighten to shelf #2 left rail board (5), shelf #2 right rail board (6) and rear rail board (2).

## STEP 7



1. Insert 6 wood dowels (A) into wood dowel holes on shelf #3 (13).
2. Attach shelf #3 (13) to shelf #3 rail board assembled parts (2), (7), (8) by inserting wood dowels (A) into wood dowel holes on shelf #3 left rail board (7), shelf #3 right rail board (8) and rear rail board (2).
3. Insert 6 wood screws (E) through holes on shelf #3 (13) and tighten to shelf #3 left rail board (7), shelf #3 right rail board (8) and rear rail board (2).

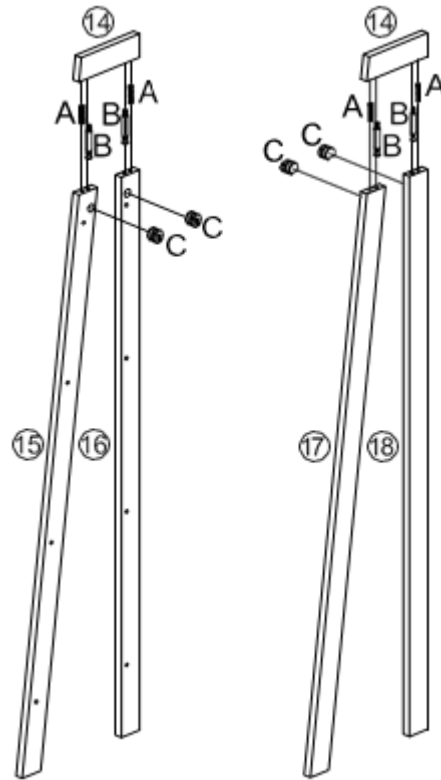
## STEP 8



1. Insert 6 wood dowels (A) into wood dowel holes on shelf #4 (13).
2. Attach shelf #4 (13) to shelf #4 rail board assembled parts (2), (9), (10) by inserting wood dowels (A) into wood dowel holes on shelf #4 rail board (9), shelf #4 rail board (10) and rear rail board (2).
3. Insert 6 wood screws (E) through holes on shelf #4 (13) and tighten to shelf #4 left rail board (9), right rail board (10) and rear rail board (2).

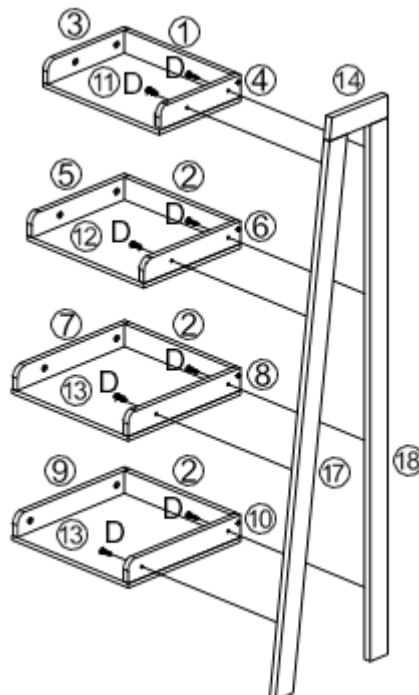


## STEP 9



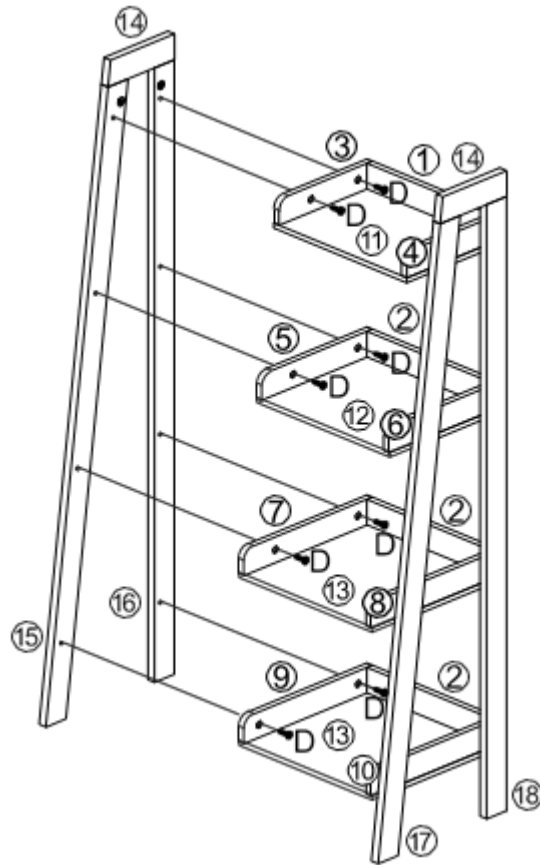
1. Insert 2 wood dowels (A) into wood dowel holes on top bar (14).
2. Screw 2 cam bolts (B) into pre-threaded holes on top bar (14).
3. Attach top bar (14) to left front leg (15) and left rear leg (16) by inserting wood dowels (A) into wood dowel holes and inserting cam bolts (B) into cam lock holes on left front leg (15) and left rear leg (16).
4. Insert 2 cam locks (C) into cam lock holes on left front leg (15) and left rear leg (16), then rotate clockwise to secure cam bolts in place.
5. Repeat above steps to assemble another top bar (14) to right side front leg (17) and right side rear leg (18).

## STEP 10



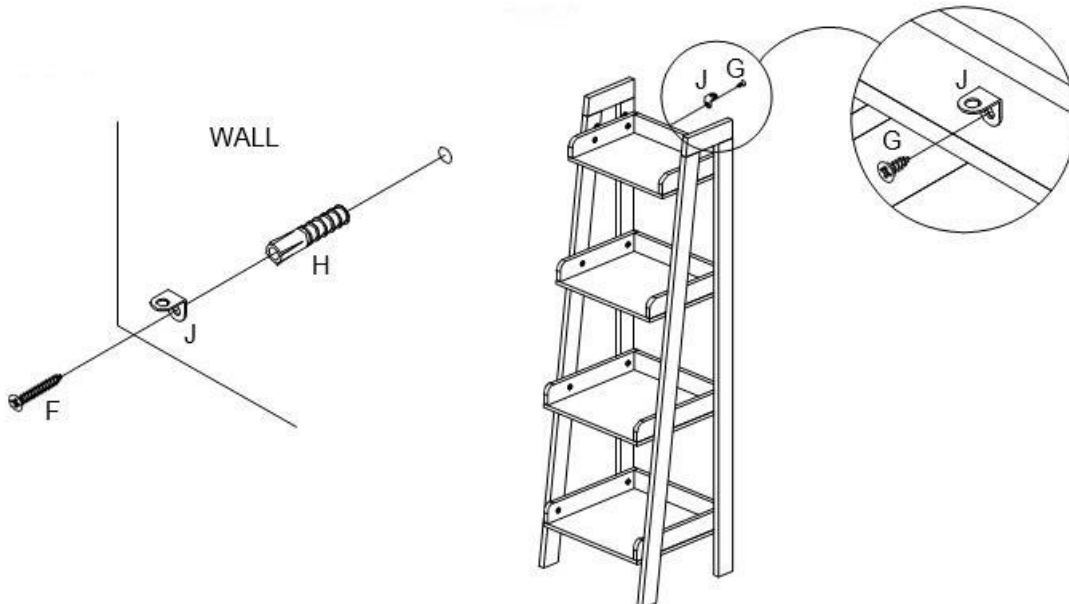
1. Attach pre-assembled shelf #1 to pre-assembled right-side frame by inserting 2 machine screws (D) through holes on right rail board (4) and tighten to pre-assembled right-side frame.
2. Repeat above step to assemble shelf #2, #3, #4 to pre-assembled right-side frame.

## STEP 11



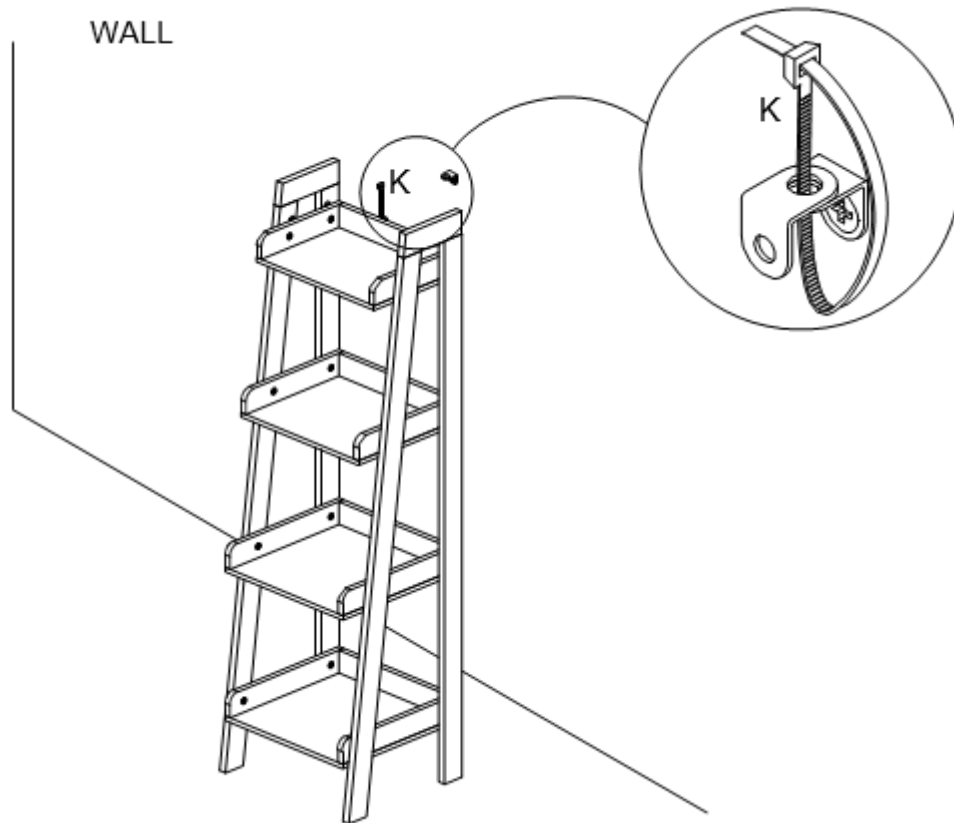
1. Attach pre-assembled shelf #1 to pre-assembled left-side frame by inserting 2 machine screws (D) through holes on left rail board (3) and tighten to pre-assembled left-side frame.
2. Repeat above step to assemble Shelf #2, #3, #4 to pre-assembled left-side frame.

## STEP 12



1. Attach one bracket (J) to back of the ladder shelf by inserting 1 wood screw (G) through hole on bracket (J) and tighten into hole on top rear rail board (I).
2. Drill hole on wall according to the height of bracket (J) and insert plastic anchor (H).
3. Attach one bracket (J) to plastic anchor (H) on wall by inserting 1 wall screw (F) through hole on bracket (J) and tighten into plastic anchor (H).

## STEP 13

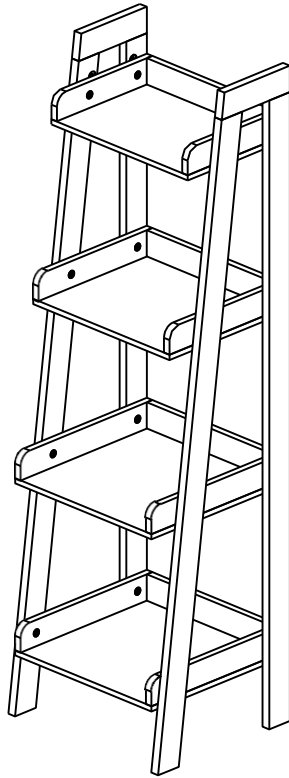


1. Place the ladder shelf against the wall and close to bracket (J).
2. Insert plastic lock strap (K) through hole on bracket (J) assembled on ladder shelf, then through hole on bracket (J) on wall and fasten plastic lock strap (K) to fix brackets (J) firmly together.

**ATTENTION ADULTS:** Cabinet should be checked periodically for damage or loose screws/parts. Take appropriate action necessary to correct hazards such as tightening of screws and taking any damaged parts away from children.

**WARNING**  **Please make sure your item is secured to the wall, per assembly instructions.**

**Enjoy your new RiverRidge<sup>®</sup> Cabinet!**



Thank you for purchasing this RiverRidge<sup>®</sup> Home item. We hope you enjoy it and consider purchasing other RiverRidge<sup>®</sup> items.

To order replacement parts at no cost to you, email [customer.service@ssi-rr.com](mailto:customer.service@ssi-rr.com), call 1-(844)-223-5201 or order parts online at [www.riverridgehome.com](http://www.riverridgehome.com)



RiverRidge<sup>®</sup> is a registered trademark of Sourcing Solutions, Inc., Hudson, WI 54016